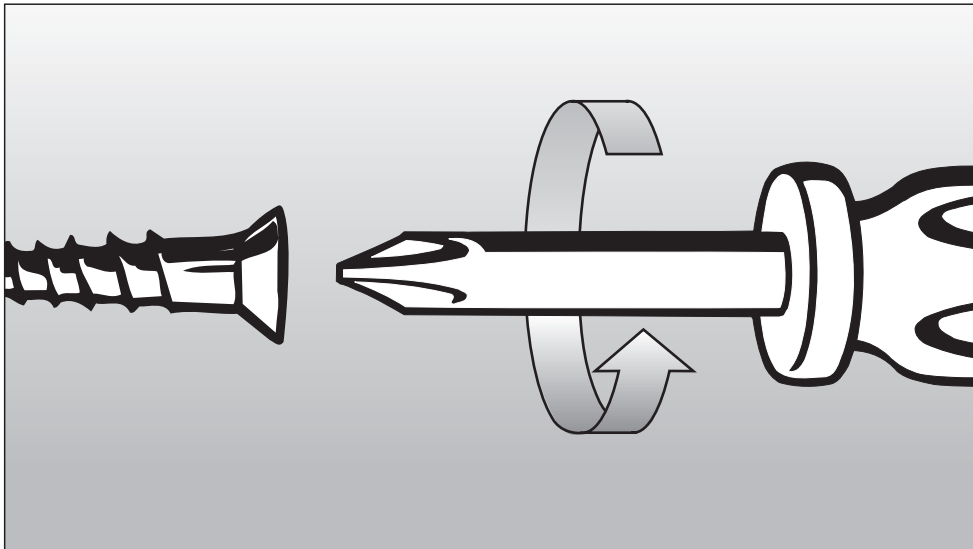


Installation instructions



Ceramic Cooktop KM 451

To prevent accidents
and machine damage,
read the Operating Manual
before installation or use.



M.-Nr. 05 361 940

IMPORTANT SAFETY INSTRUCTIONS	4
Safety distance above the appliance	5
Appliance dimensions and countertop cut-out	6
KM 451.	6
Installation	7
Installing the spring clips.	7
Granite countertops	7
Installing the cooktop.	8
Electrical connection	9

IMPORTANT SAFETY INSTRUCTIONS

Note to the installer:

Please leave this instruction book with the consumer for the local electrical inspector's use.

The minimum distances given in these Installation Instructions must be observed in order to ensure safe operation. Failure to do so increases the risk of fire.

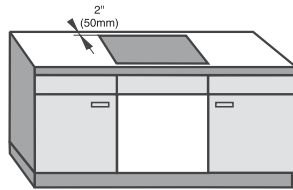
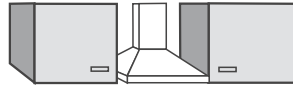
The cabinetry and venting hood should be installed first, to prevent damage to the cooktop.

The countertop must be bonded with heat resistant (212 °F/100 °C) adhesive to prevent distortion or dissolving.

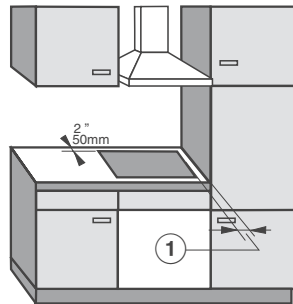
The cooktop can only be installed as shown in the illustrations, while maintaining the required safety distances shown. Do not install the cooktop between two tall cabinets, this is a fire hazard.

① A minimum distance of 2" (50 mm) from the cooktop to the rear wall and a side wall or cabinet must be maintained for safety reasons.

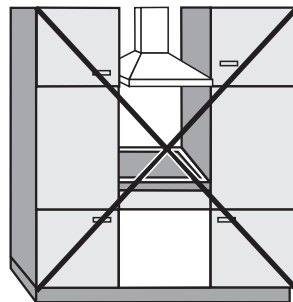
To eliminate the risk of burns or fire by reaching over heated surfaces, cabinet storage space above the cooktop should be avoided. If cabinet storage is necessary, the risk can be reduced by installing a venting hood to project horizontally a minimum of 5" (127 mm) beyond the bottom of the cabinets.



recommended



not recommended.



not allowed

IMPORTANT SAFETY INSTRUCTIONS

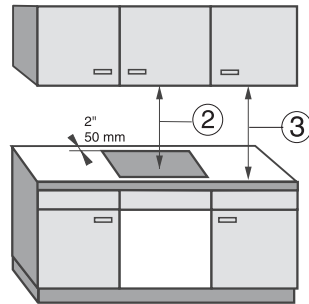
■ This equipment has not been designed for maritime use or for use in mobile installations such as aircraft or recreational vehicles. However, under certain circumstances it may be possible for installation in these applications. Please contact the nearest Miele Dealer or the Miele Technical Service Department with specific requirements.

■ Because of the heat radiated downwards from this type of appliance we do not recommend installing it over a drawer. It should be installed in a cabinet base unit with a dummy drawer front and an additional protective barrier beneath the unit. If, in spite of this, there is a drawer directly underneath the cooktop, do not store aerosols, combustible liquids or easily flammable materials in it. If cutlery inserts are placed in the drawer, they must be heat resistant.

■ The cooktop must not be installed over a dishwasher, washer, dryer, refrigerator or freezer. The high temperatures radiating downwards from this type of cooktop could damage these appliances.

■ Make sure that the power cord to the cooktop does not come in contact with any mechanical parts once the cooktop has been installed.

Safety distance above the appliance



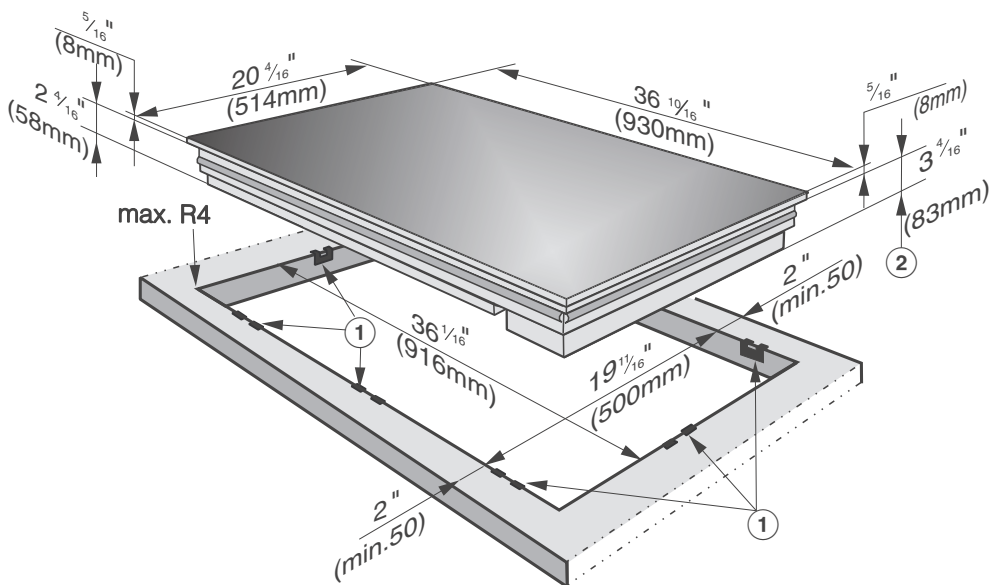
As a general rule there must be a safety distance of at least 30" (760 mm), ②, between the appliance and any flammable objects above it, e.g. cabinetry, venting hood or utensil rail. The minimum distance of combustible surfaces located above and to the side of the cooktop, ③, is 18" (457 mm).

If the manufacturer of these items states a different figure, follow that manufacturer's recommendation.

If more than one appliance is installed beneath a venting hood, e.g. an electric cooktop and a gas wok cooktop, and they have different minimum safety distances to the hood, select the larger safety distance of the two.

Appliance dimensions and countertop cut-out

KM 451



① Spring clips

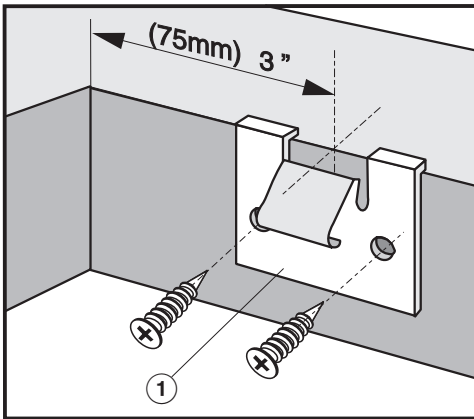
② There must be at least $3 \frac{1}{4}$ " (83 mm) of usable depth to the right hand side of the cut out.

- Make the countertop cut-out following the dimensions given in the illustration.
- Remember to maintain a minimum distance of 2" (50) mm between all walls surrounding the cooktop. See also "Important Safety instructions".

- Seal the cut surfaces with a suitable sealant to avoid swelling caused by moisture. Be sure the materials used are heat resistant.

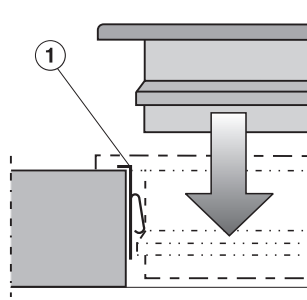
If, during installation, the seal around the frame does not sit flush with the countertop or the corners, the corner radius max. R4 ($\frac{3}{16}$ ") can be carefully filed down to fit.

Installing the spring clips



- Fix the supplied spring clips, ①, at the marked positions as shown above, by laying them on the upper edge of the cut-out and then securing them with the 3.5 x 25 mm screws supplied.

Granite countertops

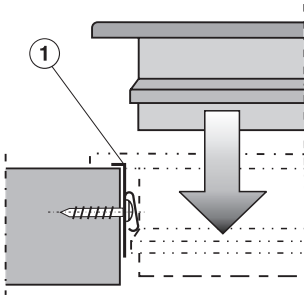


For granite countertops, the spring clips, ①, must be placed in position and secured with strong, double-sided adhesive tape. In addition coat the edges of the spring clips with silicone sealant.

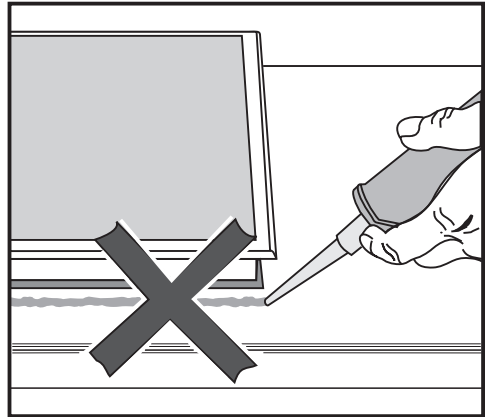
The screws are not needed for granite countertops.

Installation

Installing the cooktop



- Feed the power cord down through the cut-out and connect the appliance to the power supply.
- Position the cooktop on the spring clips, ①.
- Then with a hand on each side of the cooktop press down on the edges evenly until it clicks into position. When doing so make sure that the cooktop seal sits tightly on the countertop to ensure a correct seal is provided. The cooktop can now only be removed with a special tool.



The cooktop must not be permanently sealed into the countertop when installed. The sealing strip under the edge of the top part of the cooktop provides a sufficient seal for the countertop.

If the cooktop is sealed into position, the countertop or appliance could be damaged if the cooktop needs to be removed for maintenance or service.

Caution:

All electrical work should be performed by a qualified electrician in accordance with local and national codes.

Disconnect the appliance from the main power supply before servicing. To reduce the risk of electric shock, make sure that the appliance is properly grounded after installation.

WARNING:**THIS APPLIANCE MUST BE GROUNDED**

The appliance is provided with 3 leads; L1 (black), L2 (red) and GND (green). They must be connected to a dedicated line through the use of an approved junction box.

For further information, see the wiring diagram provided with the appliance.

Power supply

Please check the data plate for
240 VAC, 60 Hz,
208 VAC, 60 Hz
and make sure your electrical supply matches the data plate.

Note to the installer:

Please leave these instructions with the consumer.

When contacting the Technical Service,
please quote the model and serial number
of your appliance.

The Miele logo is displayed in a bold, white, serif font against a solid black rectangular background.

Miele, Inc. (USA)

National Headquarters

9 Independence Way
Princeton, NJ 08540
Phone: 800-843-7231
609-419-9898
Fax: 609-419-4298
www.mieleusa.com

Technical Service & Support

Nationwide

Phone: 800-999-1360
Fax: 888-586-8056

Miele Limited (CDN)

National Headquarters

55G East Beaver Creek Road
Richmond Hill, ON L4B 1E5
Phone: 800-643-5381
905-707-1171
Fax: 905-707-0177
www.miele.ca
info@miele.ca (general enquiries)
professional@miele.ca (commercial enquiries)

Mielecare National Service

Phone: 800-565-6435
905-850-7456
Fax: 905-850-6651
service@miele.ca (Tech. Service)

Free Manuals Download Website

<http://myh66.com>

<http://usermanuals.us>

<http://www.somanuals.com>

<http://www.4manuals.cc>

<http://www.manual-lib.com>

<http://www.404manual.com>

<http://www.luxmanual.com>

<http://aubethermostatmanual.com>

Golf course search by state

<http://golfingnear.com>

Email search by domain

<http://emailbydomain.com>

Auto manuals search

<http://auto.somanuals.com>

TV manuals search

<http://tv.somanuals.com>