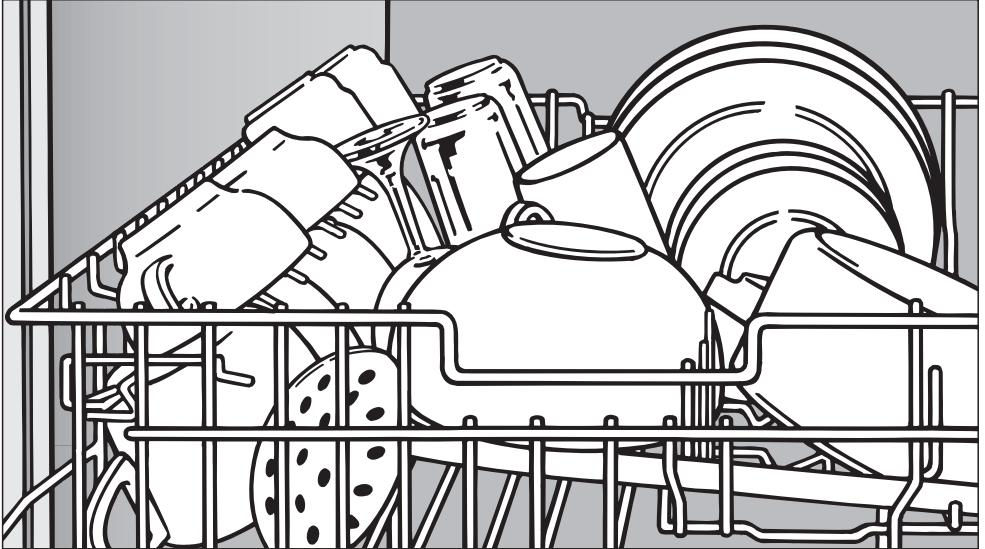


Miele

Operating instructions



for dishwashers

To avoid the risk of accidents or damage to the appliance it is **essential** to read these instructions as well as the installation plan before it is installed and used for the first time.



M.-Nr. 06 702 810

Contents

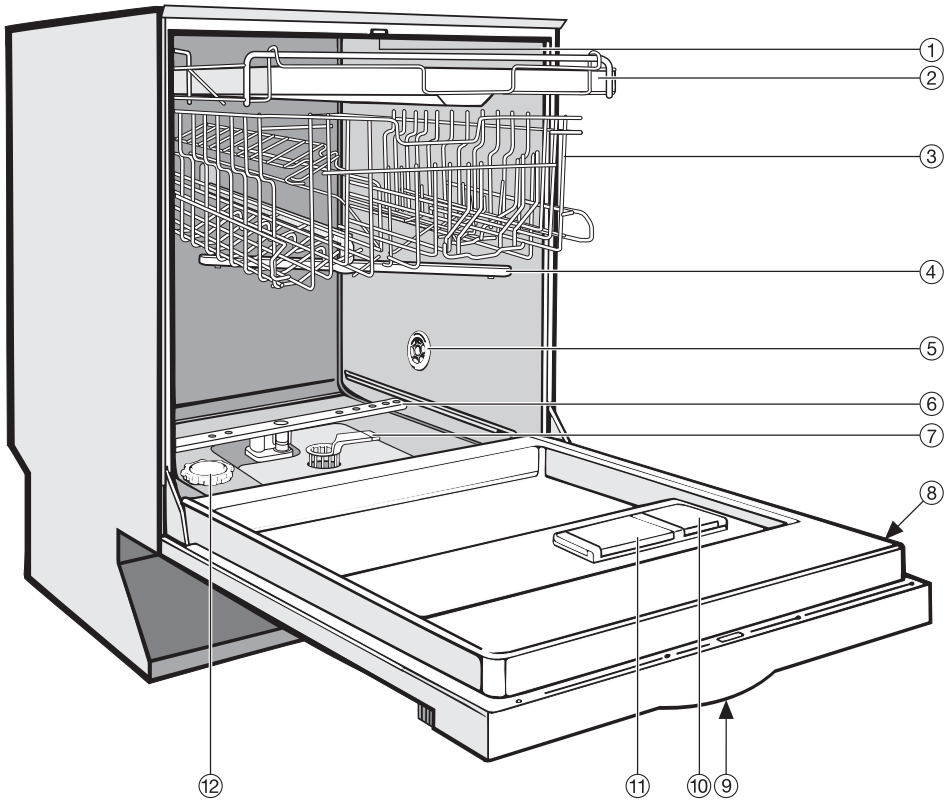
Description of the appliance	5
Appliance overview	5
Control panel	6
Warning and Safety instructions	7
Caring for the environment	11
Disposal of the packing material	11
Disposal of your old appliance	11
Energy saving washing	11
Before using for the first time	12
To open the door	12
To close the door	12
Child safety lock	12
Water softener	13
To programme the water hardness level.	14
To call up the water hardness level in the display	15
Before using the appliance for the first time you require:	16
Filling the salt reservoir	16
Salt indicator	17
Rinse aid	18
Adding rinse aid	18
Rinse aid indicator	19
Setting the rinse aid dosage	20
Loading the dishwasher	21
Items not suitable for dishwashers:	22
Upper basket	23
Hinged cup rack	23
Positioning rail (depending on model)	23
Adjusting the upper basket	24
Lower basket	25
Hinged spiked insert.	25
To remove the hinged spike insert	26
Bottle holder (depending on model).	26
Cutlery	27
Cutlery tray (depending on model).	27
Cutlery basket (depending on model)	28

Operation	29
Detergent	29
Adding detergent	30
Switching on	31
Selecting a programme	31
Starting a programme	31
Display	32
Programme sequence indicators	32
At the end of a programme	32
Switching off	32
Unloading the dishwasher	33
Interrupting a programme	33
Changing a programme	33
Additional functions	34
Tab function	34
Delay start	35
Factory default setting	37
Adjust sensor wash	38
Cleaning and care	39
Cleaning the wash cabinet	39
Cleaning the door and the door seal	39
Cleaning the door front	39
Cleaning the control panel	40
Cleaning and care	41
Cleaning the filters in the wash cabinet	41
Cleaning the spray arms	43
Problem solving guide	44
Problem	44
The dishwasher does not fill/drain	46
General problems	47
Noises	48
Unsatisfactory washing result	49
Problem solving	52
Cleaning the water inlet filter	52
Cleaning the drain pump and non-return valve	53

Contents

After sales service	54
Repairs	54
Future updates (PC)	54
For testing institutes	54
Optional accessories	55
Programme chart	56
Electrical connection	58
Plumbing	59
Connection to the water supply	59
Drainage	60
Technical data	61

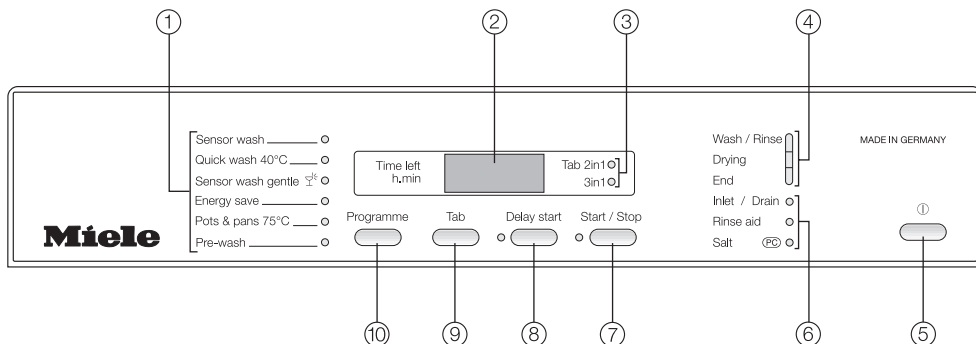
Appliance overview



- | | |
|---|--|
| ① Upper spray arm (not visible) | ⑦ Filter combination |
| ② Cutlery tray (depending on model) | ⑧ Data plate |
| ③ Upper basket | ⑨ Child safety lock in door grip (not visible) |
| ④ Middle spray arm | ⑩ Rinse aid reservoir |
| ⑤ Air inlet for drying (depending on model) | ⑪ Dual compartment detergent dispenser |
| ⑥ Lower spray arm | ⑫ Salt reservoir |

Description of the appliance

Control panel



- ① Programmes
- ② Display
- ③ Tab indicator
- ④ Programme sequence indicators
- ⑤ On/Off button ①
- ⑥ Check/Refill indicators
- ⑦ Start/Stop button with indicator light
- ⑧ Delay start button with indicator light
- ⑨ Tab button
- ⑩ Programme selector button

This instruction book applies to several different dishwasher models. The specific dishwasher models below are referred to as follows:
G 1220 etc. = G 1XXX
G 2220 etc. = G 2XXX

The model numbers G 1XXX and G 2XXX used in this book refer to the model designation specified on the data plate of the appliance (and not the description on the control panel). The data plate is located at the top right hand side of the door.

Warning and Safety instructions

This appliance conforms to current safety requirements. Inappropriate use can, however, lead to personal injury and damage to property. To avoid the risk of accidents and damage to the appliance, please read these instructions carefully before using it for the first time. They contain important information on its safety, use and maintenance. Keep these instructions in a safe place for future reference, and pass them on to any future user.

Correct usage

■ This dishwasher is intended **exclusively for cleaning domestic crockery and cutlery in a domestic household**. Using it for purposes other than those for which it was designed, as well as any alterations or conversions to the appliance would be unauthorised and could cause harm. The manufacturer cannot be held liable for damage resulting from improper or incorrect use of the appliance.

Transport

■ Should you ever need to move the dishwasher, e.g. when moving house, note the following:

- Empty the dishwasher,
- Secure any loose parts, e. g. hoses, mains cable, cutlery baskets, lower basket
- Transport the dishwasher in the upright position only.

Delivery

- Before setting up the appliance, check it for any externally visible damage. Under no circumstances should you use a damaged appliance. A damaged appliance could be dangerous.
- Please ensure that the packaging material is offered for recycling.

Installation

- The dishwasher must be installed and connected in compliance with the installation plan.
- The dishwasher must only be plugged into the electricity supply via a suitable switched socket. The electrical socket must be easily accessible after the dishwasher is installed so that it can be disconnected from the electricity supply at any time. (See "Electrical connection").
- There must be no electrical sockets behind the dishwasher. Danger of overheating and fire risk if the dishwasher were to be pushed up against a plug.
- In order to ensure stability, built-under and integrated dishwashers must only be installed under a continuous worktop which is secured to adjacent cabinetry.

Warning and Safety instructions

■ The dishwasher must not be installed under a hob. The high radiant temperatures which are sometimes generated by a hob could damage the dishwasher. For the same reason it should not be installed next to open fires or other appliances which give off heat, such as heaters etc.

■ If you want to convert your freestanding dishwasher to a built-under ("U") model, you will need to order the appropriate conversion kit. If you remove the existing plinth, you must replace it with a U-model plinth. This is necessary to avoid the risk of injury caused by protruding metal parts.

■ Do not connect the dishwasher to the mains supply until it has been fully installed.

■ Before connecting the appliance, check that the connection data on the data plate (voltage and connected load) match the mains electricity supply. If in any doubt, consult a qualified electrician.

■ The electrical safety of this appliance can only be guaranteed when continuity is complete between the appliance and an effective earthing system. It is most important that this basic safety requirement is regularly tested and where there is any doubt, the electrical system in the house should be checked by a qualified electrician.

The manufacturer cannot be held liable for the consequences of an inadequate earthing system (e.g. electric shock).

■ This equipment may only be used in mobile installations such as ships, caravans, aircraft etc. if a risk assessment of the installation has been carried out by a suitably qualified engineer.

■ A damaged appliance could be dangerous. Switch off at the mains and call your Miele supplier or the Miele Service Department.

■ The plastic housing of the water connection contains an electrical component. The housing must therefore not be dipped in water.

■ There are live wires in the water inlet hose. Never cut the water inlet hose, even if it is too long.

■ Do not connect the appliance to the mains electricity supply by an extension lead. Extension leads do not guarantee the required safety of the appliance (e.g. danger of overheating).

Use

■ Do not use solvents in the dishwasher. Danger of explosion.

■ Do not inhale or ingest dishwasher detergent! Dishwasher detergents can cause burning in the nose, mouth and throat if swallowed, or inhibit breathing. Consult a doctor immediately if detergent has been swallowed or inhaled.

Warning and Safety instructions

- Avoid leaving the door open unnecessarily, as you could trip over it.
- Do not sit or lean on the opened door. This could cause the dishwasher to tip and be damaged and you could get injured.
- Only use detergent and rinse aid formulated for domestic dishwashers. Do not use washing-up liquid.
- In an appliance with a cutlery basket (depending on model) cutlery is cleaned and dried more efficiently if placed in the basket with the handles downwards. However, to avoid the risk of injury place knives and forks etc. with the handles upwards.
- Please only use special coarse grained dishwasher salt for reactivation, as other salts may contain insoluble additives which can impair the functioning of the softener.
- Plastic items which cannot withstand being washed in hot water, such as disposable plastic containers, or plastic cutlery and crockery should not be cleaned in the dishwasher. The high temperatures in the dishwasher may cause them to melt or lose shape.

- On models with "Delay start", make sure that the dispenser is dry before adding detergent. Wipe dry if necessary. Detergent will clog if poured into a damp dispenser and may not be thoroughly dispensed. Do not use liquid detergent when selecting Delay start, as it can run into the dishwasher before it is required.

Safety with children

- This appliance is not a toy! To avoid the risk of injury do not allow children to play in or around the dishwasher, or to operate it. There is also a danger that children playing might shut themselves in the dishwasher.
- Keep children away from detergents. Dishwasher detergents can cause burning in the mouth, nose and throat if swallowed, or inhibit breathing. Keep children away from the dishwasher when the door is open. There could still be detergent residues in the cabinet. Consult a doctor immediately if your child has swallowed or inhaled detergent.

Warning and Safety instructions

To avoid damage to the appliance and other materials

Do not fill the rinse aid reservoir with powder or liquid detergent. This will cause serious damage to the reservoir.

Inadvertently filling the salt reservoir with powder or liquid dishwasher detergent always leads to serious damage to the water softener. Make sure you have picked up the correct packet of dishwasher salt before filling the salt reservoir!

Do not use commercial or industrial detergents as these may damage material and there is a risk of severe chemical reaction.

The Miele Waterproof System offers protection from water damage, provided the following conditions are met:

- The dishwasher is correctly installed and plumbed in.
- The dishwasher is properly maintained and parts are replaced where it can be seen that this is necessary.
- The stopcock has been turned off when the appliance is not used for a longer period of time (e.g. during holidays).

The Waterproof system will work even if the appliance is switched off. However, the appliance must remain connected to the electricity supply.

In countries where there are areas which may be subject to infestation by cockroaches or other vermin, pay particular attention to keeping the appliance and its surroundings in a clean condition at all times. Any damage caused by cockroaches or other vermin will not be covered by the guarantee.

Repairs and maintenance

Repairs may only be carried out by suitably qualified and competent technicians in accordance with current local and national safety requirements. Repairs and other work by unqualified persons could be dangerous.

Always disconnect the appliance from the electrical supply for maintenance work (switch off at the wall socket and remove the plug).

If the connection cable is damaged it must be replaced with a Miele cable by a Miele approved service technician only.

Disposal of your old appliance

When disposing of an old dishwasher first make it unusable. Disconnect, cut off the cable and the plug from the cable. Make the door lock inoperative by unscrewing the Torx screw, so that children cannot accidentally shut themselves in. Make appropriate arrangements for the disposal of the appliance.

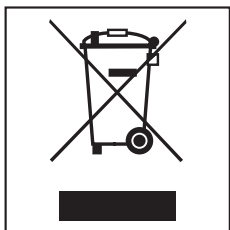
The manufacturer cannot be held liable for damage caused by non-compliance with these Warning and Safety instructions.

Disposal of the packing material

The transport and protective packing has been selected from materials which are environmentally friendly for disposal and can normally be recycled. Ensure that any plastic wrappings, bags etc. are disposed of safely and kept out of the reach of babies and young children. Danger of suffocation! Rather than just throwing these materials away, please ensure that they are recycled.

Disposal of your old appliance

Electrical and electronic appliances often contain materials which, if handled or disposed of incorrectly, could be potentially hazardous to human health and to the environment. They are, however, essential for the correct functioning of your appliance. Please do not therefore dispose of your old appliance with your household waste.



Please dispose of it at your local community waste collection / recycling centre and ensure that it presents no danger to children while being stored for disposal.

It should be unplugged or disconnected from the mains electricity supply by a competent person. The plug must be rendered useless and the cable cut off directly behind it to prevent misuse. See the "Warning and Safety" section of this booklet for further details.

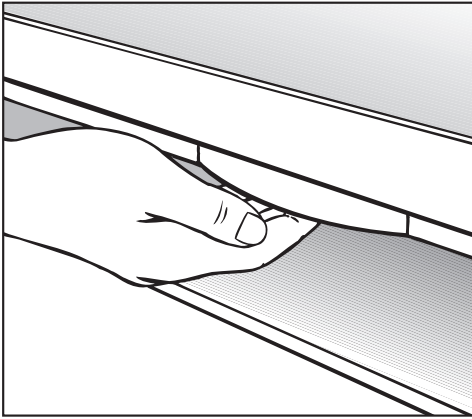
Energy saving washing

This dishwasher is exceptionally economical in its use of water and electricity. You can make the most of your appliance by following these tips:

- If your household water system is suitable, this dishwasher can be connected to a hot water supply, for further economies. If the water is heated by for example, solar panels, this would be energy efficient. However, if your water is heated by electricity we would recommend connection to cold water.
- For most economical dishwashing make full use of the baskets without overloading the dishwasher.
- Choose the programme to suit the type of crockery being washed and the degree of soiling.
- Select the Energy save programme for energy-saving dishwashing.
- Follow the detergent manufacturer's recommendations on detergent dosage.
- When using powder or liquid detergent you can use $\frac{1}{3}$ less detergent if baskets are only half full.

Before using for the first time

To open the door



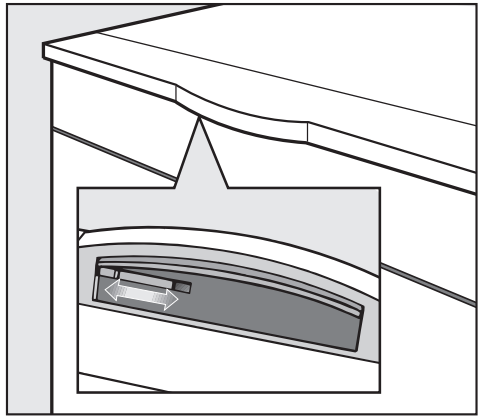
- Press the release catch inside the door grip and pull forward.

If the door is opened during operation all functions are automatically interrupted.

To close the door

- Push the baskets right in.
- Then lift the door upwards and push until it clicks into position.

Child safety lock



Use the child safety lock to prevent children opening the dishwasher door.

- To lock the door, push the slide underneath the door grip to the right.
- To unlock the door, push the slide to the left.

Water softener

In order to achieve good cleaning results, the dishwasher needs to operate with soft water. Hard water results in the build-up of calcium deposits on crockery and in the dishwasher.

Mains water with a hardness level higher than 0.7 mmol/l (4 °d - German scale) needs to be softened. This takes place automatically in the integrated water softener.

- The water softener requires dishwasher salt.
If you use "3 in 1" products in your dishwasher, you should still add salt in order to achieve optimum results.
- The dishwasher must be programmed for the water hardness in your area.
- Your local water authority will be able to advise you of the water hardness level in your area.

Where the water hardness fluctuates e.g. between 6.7 - 9.0 mmol/l (37 -50 °d - German scale) always programme the dishwasher to the higher value (9.0 mmol/l in this example).

In the event of a fault, it will help the service technician if you know the hardness of your local water supply.

- Enter the water hardness below:

_____ mmol/l or °d

The dishwasher is programmed at the factory for a water hardness level of 2.7 mmol/l (15 °d).

If this setting corresponds to the hardness of your water you do not need to do anything more.

If your water is harder or softer, you will need to programme the water hardness level. See following section.

Before using for the first time

To programme the water hardness level

Each time a button is pressed one of the indicator lights will flash and light up in the control panel. However, only the indicator lights mentioned in the following programming process stages are significant.

The programming procedure can be cancelled at any time by pressing the On/Off button ①. The procedure can then be re-started from the beginning again.

- Switch the dishwasher off with the On/Off button ①.
- Press the Start/Stop button in and **whilst holding it in** switch the dishwasher on using the On/Off button ①.
Keep the Start/Stop button pressed in for at least four seconds until the "Start/Stop" indicator light comes on.

If this does not happen, start the procedure from the beginning again.

- Press the Delay start button twice.

The "Delay start" indicator will flash briefly twice at intervals.

The characters "P 1 5" will flash one after the other in the display. This means that the water hardness level has been set at 15 °d (2.7 mmol/l) (factory setting).

The value which has been set for the water hardness is shown as a figure after the "P" in the display (see chart).

- Use the Start/Stop button to select the value which equates to your water hardness level.
Each press on the button moves you up a level. When the highest water hardness level is reached, the setting starts from the beginning again.
- Switch the dishwasher off with the On/Off button ①.

Before using for the first time

°d German scale	mmol/l	°f	Value displayed
1	0.2	2	1
2	0.4	4	2
3	0.5	5	3
4	0.7	7	4
5	0.9	9	5
6	1.1	11	6
7	1.3	13	7
8	1.4	14	8
9	1.6	16	9
10	1.8	18	10
11	2.0	20	11
12	2.2	22	12
13	2.3	23	13
14	2.5	25	14
15	2.7	27	15
16	2.9	29	16
17	3.1	31	17
18	3.2	32	18
19	3.4	34	19
20	3.6	36	20
21	3.8	38	21
22	4.0	40	22
23	4.1	41	23
24	4.3	43	24
25	4.5	45	25
26	4.7	47	26
27	4.9	49	27
28	5.0	50	28
29	5.2	52	29
30	5.4	54	30
31	5.6	56	31
32	5.8	58	32
33	5.9	59	33
34	6.1	61	34
35	6.3	63	35
36	6.5	65	36
37-45	6.7-8.1	66-80	45
46-60	8.3-10.8	82-107	60
61-70	11.0-12.6	109-125	70

To call up the water hardness level in the display

- Switch the dishwasher off with the On/Off button ①.
- Press the Start/Stop button in and **whilst holding it in** switch the dishwasher on using the On/Off button ①.
Keep the Start/Stop button pressed in for at least four seconds until the "Start/Stop" indicator light comes on.
- Press the Delay start button six times.
The "Delay start" indicator will flash briefly six times at intervals.
Characters will flash in sequence in the display.
The figure(s) after the "P" is the value for the water hardness level which has been set (see chart).
- Switch the dishwasher off with the On/Off button ①.

Before using for the first time

Before using the appliance for the first time you require:

- approx. 2 litres of water,
- approx. 2 kg dishwasher salt,
- domestic dishwasher detergent,
- rinse aid formulated for domestic dishwashers.

Every dishwasher is tested at the factory. There will be residual water in the appliance from this test. It is not an indication that it has been previously used.


If the water in your area is very soft and constantly **lower than 0.7 mmol/l (4 °d)** you do **not need to add dishwasher salt**.


The water softener must, however, still be programmed to correspond to the water hardness level in your area.

Important: Before filling the salt reservoir with dishwasher salt for the **first time**, you must fill it with approx. 2 litres of water to enable the salt to dissolve. Once the dishwasher has been used, there is always sufficient water in the reservoir.

Filling the salt reservoir

The water softener requires dishwasher salt. If you use "3 in 1" tablets in your dishwasher you should still add salt in order to achieve optimum results. The amount of salt used is reduced to between $\frac{1}{4}$ and $\frac{1}{3}$ of the normal amount if the "3 in 1" function is selected.

 Inadvertently filling the salt reservoir with powder or liquid dishwasher detergent always leads to serious damage to the water softener. Make sure you have picked up the correct packet of dishwasher salt before filling the salt reservoir!

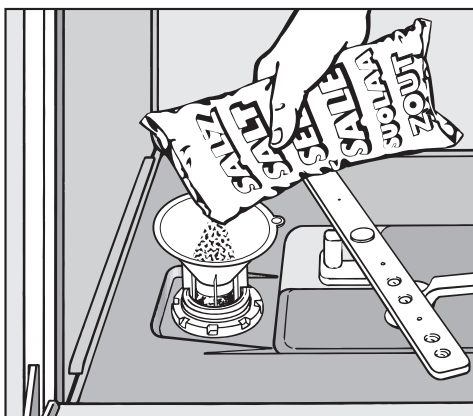
 Only use special coarse grained dishwasher salt for reactivation. Do not use other salts such as cooking salt, agricultural grade or gritting salt. These may contain insoluble additives which can impair the functioning of the water softener.

Before using for the first time

- Remove the lower basket and unscrew the salt reservoir cap.

Only open the salt reservoir when you want to fill it with dishwasher salt as water or salt solution will run out of the reservoir when the cap is removed.

- Fill the reservoir with approx. 2 litres of water (first use only).









- Place the funnel provided over the salt reservoir and carefully fill with salt until the reservoir is full. The salt reservoir holds approx. 2 kg of salt depending on the brand used.

As the salt reservoir is filled, displaced water will overflow.


- Clean any excess salt from around the reservoir opening and then screw the cap on again **firmly**.
- Run the "Quick wash" programme immediately (without any crockery in the dishwasher) to remove any traces of salt water from the cabinet.

Salt indicator

Wash / Rinse 
Drying 
End 
Inlet / Drain 
Rinse aid 
Salt 

- Fill the salt reservoir with dishwasher salt when the salt indicator light comes on. (If it comes on during a programme, wait until the end of the programme).

After the reservoir has been filled, the water softener is automatically reactivated the next time the dishwasher is run. The salt indicator light may still be illuminated during this process. It will go out once the salt concentration has reached the correct level.


 After filling the salt reservoir, run the "Quick wash" programme immediately (without any crockery in the dishwasher) to remove any traces of salt water from the cabinet.

Before using for the first time

Rinse aid

Rinse aid is necessary to ensure water does not cling and leave marks on crockery during the drying phase and helps crockery dry faster after it has been washed.

Rinse aid is poured into the storage reservoir and the amount set is dispensed automatically.

 Inadvertently filling the rinse aid reservoir with powder or liquid detergent always causes serious damage to the reservoir. Only pour rinse aid formulated for domestic dishwashers into the reservoir.


Alternatively, it is possible to use

- Household vinegar with a max. 5% acid content

or

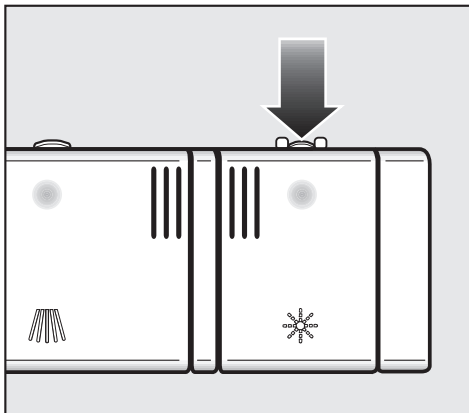
- Liquid citric acid up to 50% acid content.

The resulting rinsing and drying quality will not, however, be as good as when rinse aid is used.

 Do not use vinegar with a higher acid content (e.g. vinegar essence 25% acid). This would damage the dishwasher.

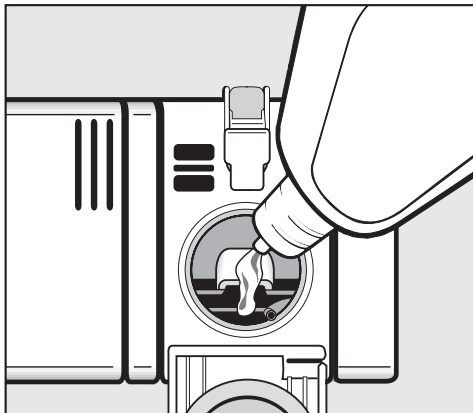
If you only ever use "2 in 1" or "3 in 1" products in your dishwasher you do not need to add rinse aid.

Adding rinse aid



- Press the button on the lid of the rinse aid reservoir in the direction of the arrow until the flap springs open.

Before using for the first time









- Add rinse aid only until it is visible in the opening.

The rinse aid reservoir holds approx. 110 ml.

- Close the flap firmly so that it clicks into place. Otherwise water would enter the rinse aid reservoir during a programme.
- Wipe up any spilled rinse aid. This prevents over-foaming occurring during the next programme.

Rinse aid indicator

When the light comes on the reservoir contains sufficient rinse aid for 2 - 3 programmes only.

Wash / Rinse 
Drying 
End 
Inlet / Drain 
Rinse aid 
Salt 



- Add rinse aid in plenty of time.

If the "2 in 1" or "3 in 1" function has been selected, the Rinse aid indicator does not light up (see "Operation - Tab function").

Before using for the first time

Setting the rinse aid dosage

You can adjust the rinse aid dosage for best results.

The rinse aid dosage can be set from approx. 0-6 ml. It is set to a recommended setting of approx. 3 ml at the factory.

If spots appear on crockery and glassware:

- Increase the rinse aid dosage.

If clouding or smearing appears on crockery and glassware:

- Decrease the rinse aid dosage.

- Switch the dishwasher off with the On/Off button ①.

- Press the Start/Stop button in and **whilst holding it in** switch the dishwasher on using the On/Off button ①.

Keep the Start/Stop button pressed in for at least four seconds until the "Start/Stop" indicator light comes on.

If this does not happen, start the procedure from the beginning again.

- Press the Delay start button three times.

The "Delay start" indicator will flash briefly three times at intervals.

P 3 will flash in the display.

This means that the rinse aid dosage has been set at 3 ml at the factory.

The dosage set will show in the display after the **P**.

- Use the Start/Stop button to select the rinse aid dosage you want. The dosage amount alters each time you press the button.

The programmed rinse aid dosage is now stored in memory.


- Switch the dishwasher off with the On/Off button ①.

Loading the dishwasher

Note

Remove coarse food residues from crockery.

There is no need to rinse items under running water.

 Do not wash items soiled with ash, sand, wax, lubricating grease or paint in the dishwasher. Ash does not dissolve and is distributed in the wash cabinet. Wax, sand, lubricating grease and paint cause damage to the dishwasher.

Crockery can be loaded anywhere in the baskets, but the following notes should be observed:

- Do not place crockery and cutlery inside other pieces where they may be concealed.
 - Load the crockery so that water can access all surfaces. This ensures that it is properly cleaned.
 - Make sure that all items are securely positioned.
 - Hollow items such as cups, glasses, pans, etc. must be inverted in the basket.
 - Tall, narrow, hollow items, e.g. champagne glasses, should be placed in the centre of the basket to ensure better water coverage.
- Deep based items should be placed at an angle so that water can run off them freely.
 - The spray arms must not be blocked by items which are too tall or hang through the baskets. If in doubt, test for free movement by manually rotating the spray arms.
 - Make sure that small items cannot fall through the holders in the baskets. Small items, e.g. lids, should therefore be placed in the cutlery tray or cutlery basket (depending on model).

Some foodstuffs may contain natural dyes, e.g. carrots, tomatoes or ketchup. Plastic items in the dishwasher may discolour if large quantities of these foodstuffs find their way into the appliance on the crockery. The stability of plastic items is not affected by this discolouration.

Loading the dishwasher

Items not suitable for dishwashers:

- Wooden cutlery and crockery or items with wooden parts: these may discolour and fade. The glue used in these items is not dishwasher-proof and wooden handles may come loose after being washed in a dishwasher.
- Craft items, antiques, valuable vases and decorative glassware are also not suitable for dishwashers.
- Plastic items which are not heat resistant. The high temperatures in the dishwasher may cause them to melt or lose shape.
- Copper, brass, tin and aluminium items may discolour or become matt.
- Colours painted over a glaze may fade after a number of washes.
- Clouding may occur on glasses after frequent washing. Do not wash delicate glassware, or glassware containing lead crystal in a dishwasher.


We recommend:

- When purchasing new crockery and cutlery, make sure they are dishwasher-proof.
- If delicate glassware is washed in the dishwasher ensure that only very low temperatures are used (see programme chart), or a special glass-care programme is used (depending on model). This will reduce the risk of clouding.
- Wash particularly delicate glassware by hand.

Please note


Silverware previously cleaned with a **silver polish** may still be damp or spotted at the end of a programme, where water has not run off smoothly. It may need rubbing dry with a soft cloth.

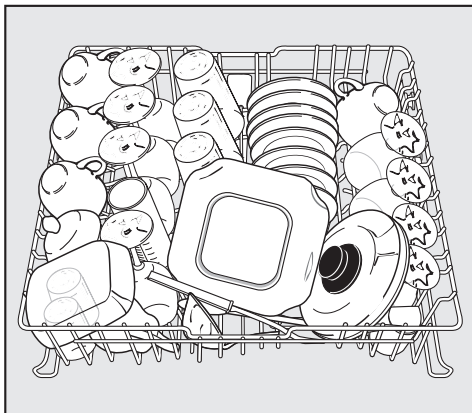
Silver which has been in contact with foods containing sulphur can discolour. These include egg yolk, onions, mayonnaise, mustard, pulses, fish, fish brine and marinades.

 Aluminium components (e.g. grease filters) must not be cleaned with caustic alkaline commercial or industrial cleaning agents. These may damage the material, or in extreme cases, cause a severe chemical reaction. See section "Adding detergent" for information on suitable detergents.

Loading the dishwasher

Upper basket

 For safety reasons, do not operate the dishwasher without the upper and lower baskets in place.



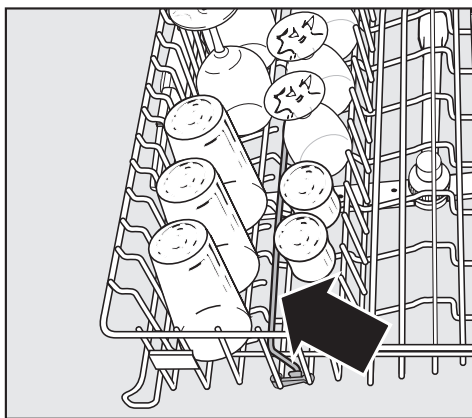
- Use the upper basket for small, lightweight and delicate items such as cups, saucers, glasses, dessert bowls, etc. Shallow pans or casserole dishes can also be placed in the upper basket.
- Long items such as soup ladles, mixing spoons and long knives should be placed lying down across the front of the upper basket.

Hinged cup rack

- To make room for tall items raise the rack upwards.

Positioning rail (depending on model)

Glasses can be arranged along the positioning rail to give them some support during the programme.



- Raise the rail, and lean the glasses against it.

The positioning rail can be flipped over to the middle of the basket for easy sorting and removing of crockery.

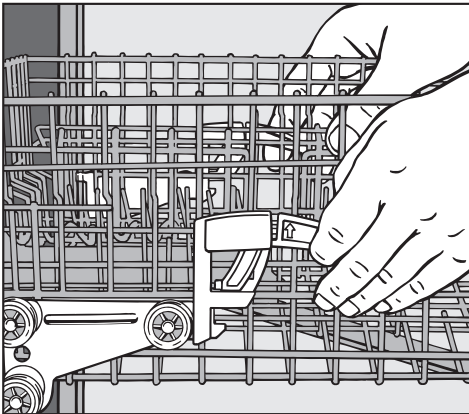
Loading the dishwasher

Adjusting the upper basket

In order to gain more space for taller pieces of crockery in the bottom or upper basket, the upper basket can be adjusted on three levels with 2 cm between each level.

The upper basket can also be set at an angle with one side high and the other side low. Ensure however, that the basket can slide smoothly into the cabinet. It is better to adjust the basket before loading it.

- Pull out the upper basket.



- Pull upwards on the levers at either side of the upper basket.
- Adjust the basket to the desired height.
- Then push the levers securely back down into position.

Depending on the setting of the upper basket, the following plate dimensions can be accommodated.

Dishwasher with cutlery tray

(see data plate for model number)

Upper basket level	Plate Ø in cm		
	Upper basket		Lower basket
	G1XXX	G2XXX	
Top	15	19	31
Middle	17	21	29
Bottom	19	23	27

Dishwasher with cutlery basket

(see data plate for model number)

Upper basket level	Plate Ø in cm		
	Upper basket		Lower basket
	G1XXX	G2XXX	
Top	20	24	31
Middle	22	26	29
Bottom	24	28	27

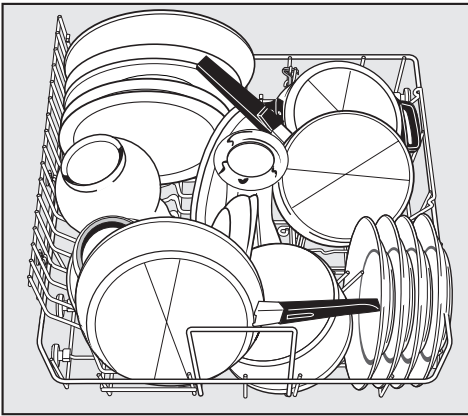
Loading the dishwasher

Lower basket

For larger and heavier items such as plates, serving platters, saucepans, bowls, etc.

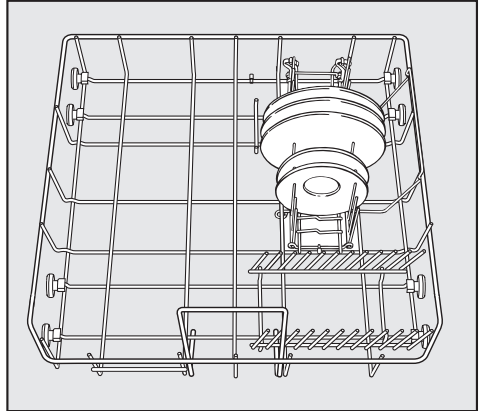
Small items such as saucers can also be placed in the lower basket.

Do not place thin, delicate glassware in the lower basket.



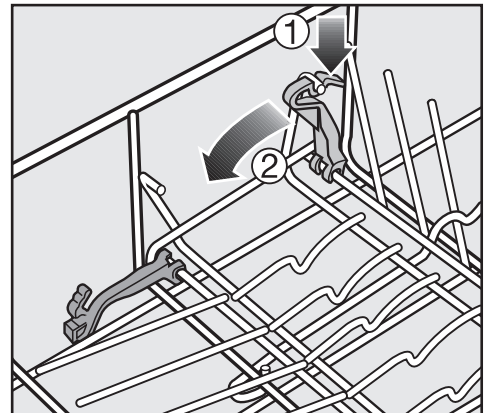
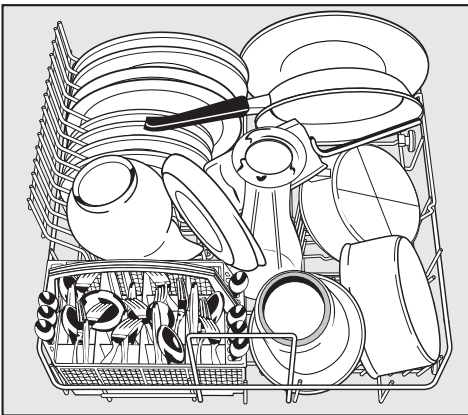
Hinged spiked insert

This insert is used for washing plates and saucers.



Both sides of the rear section of the spiked insert can be lowered to make more room for large items, e.g. pots, pans and dishes.

Dishwashers with cutlery tray



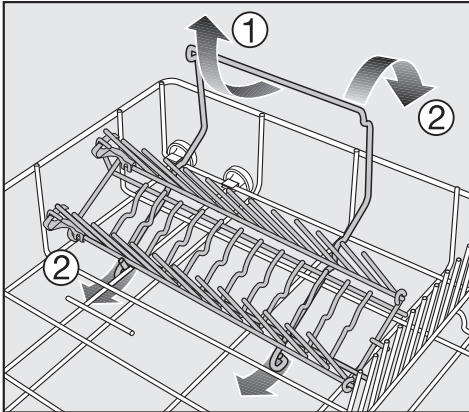
- Press the yellow lever downwards ① and then lower the spikes ②.

Dishwashers with cutlery basket

Loading the dishwasher

To remove the hinged spike insert

You can remove the spiked insert to make more room for larger items of crockery, e.g. a large, shallow pot, or for another type of insert.



To remove an insert ①

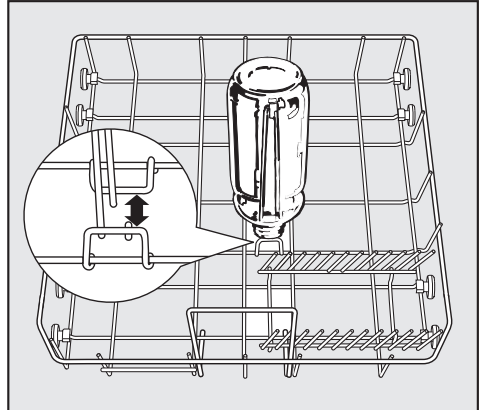
- Pull upwards by the handle as shown.

To refit it ②

- Fit the insert into the lower basket with the hooks going under the long cross piece as illustrated.
- Press down on the handle until the insert is securely held in position.

Bottle holder (depending on model)

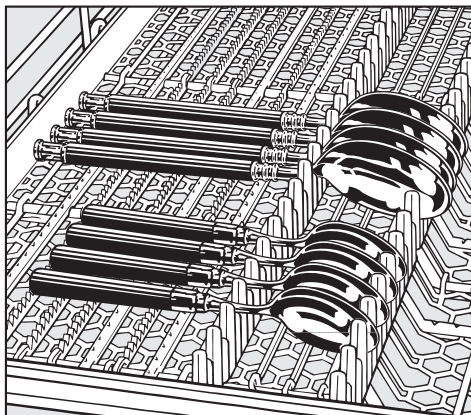
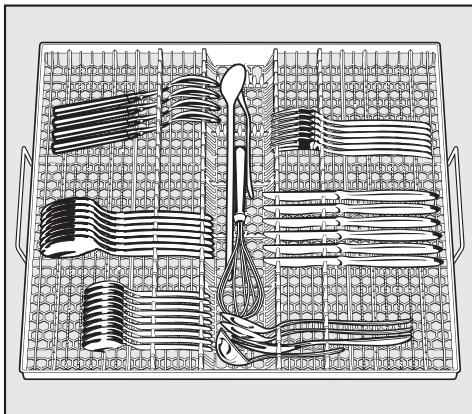
The bottle holder can be used to wash narrow items, e.g. milk and baby bottles.



- Place the bottle holder as shown in the bottom basket. If placed anywhere else, water will not be able to access the bottle properly, and cleaning results will be impaired.

Cutlery

Cutlery tray (depending on model)



If spoon handles do not fit between the holders, then place them the other way round.

- Arrange the cutlery in the tray as shown.

To make unloading much easier, cutlery should be grouped in zones, one for knives, one for forks, one for spoons, etc.

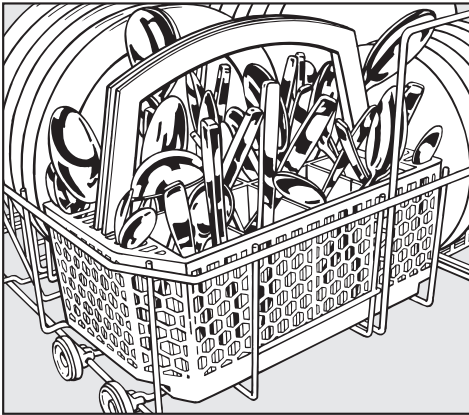
Spoon heads should be placed in contact with at least one of the serrated retainers on the base of the cutlery tray to ensure that water runs off them freely.

The upper spray arm must not be blocked by items which are too big (e.g. cake slices).

The cutlery tray insert is removable.

Loading the dishwasher

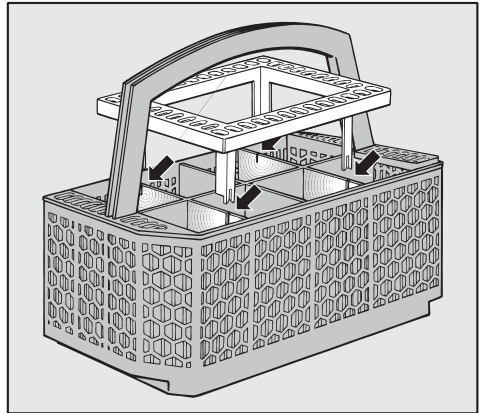
Cutlery basket (depending on model)



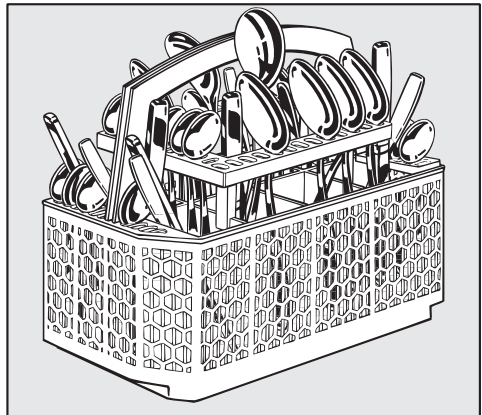
- To avoid the risk of injury, knives and forks should be placed with the handles upwards in the basket. However, cutlery placed handle down in the basket will come out cleaner and drier.
- Place small spoons in the individual slots to either side of the cutlery basket.

Cutlery insert for the cutlery basket

Use the insert supplied for heavily soiled spoons. The insert separates the items so that they can be more easily accessed by water.




- Fit it into the cutlery basket if required.




- Insert cutlery with the handles facing downwards, and distribute them evenly along the insert.

Detergent

 Only use detergents formulated for domestic dishwashers. Do not use washing up liquid.

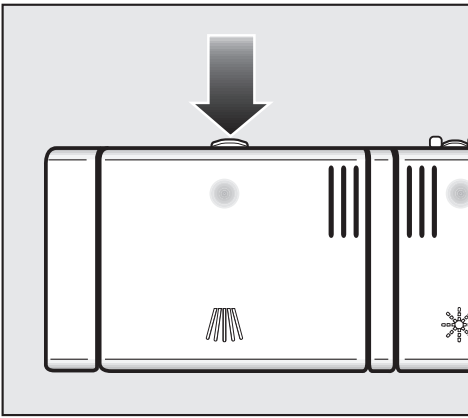
- You can use conventional powder detergent, tablets or liquid dishwasher detergent. Refer to the dosing instructions given by the manufacturer on the packaging.
- Put the detergent into the dispenser compartment.
- Do not use tablet detergent on the "Quick" programme, as the tablets will not dissolve properly.

Failure to dispense the recommended amount of detergent may impair cleaning results.

 Avoid inhalation of powder detergents and do not ingest dishwasher detergent. Dishwasher detergents can cause burning in the nose, mouth and throat if swallowed, or inhibit breathing. Consult a doctor immediately if detergent has been swallowed or inhaled. Keep detergent and other household agents out of the reach of children at all times. Keep children away from the dishwasher when the door is open. There could still be detergent residues in the cabinet. To avoid the danger of children coming into contact with the dishwasher detergent, only add detergent just before starting the programme and close the door, activating the child safety lock (if your dishwasher is fitted with one).

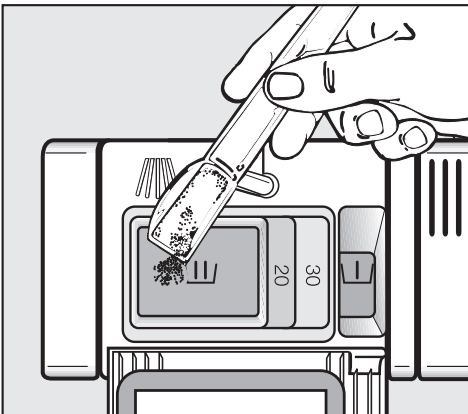
Operation

Adding detergent



- Press the opening catch on the detergent dispenser. The flap will spring open.

The flap is always open at the end of a programme.



- Add the required amount of detergent and close the flap.
- Make sure that the detergent packaging is properly closed after use to avoid it getting damp and becoming lumpy.

For information

Compartment I holds max. 10 ml,
Compartment II holds max. 50 ml.

There are markings in compartment II to assist with dispensing: 20, 30. The marks indicate a level of approx. 20 or 30 ml when the door is open in a horizontal position.

Switching on

- Make sure the spray arms are not obstructed.
- Close the door.
- Open the stopcock, if it is closed.
- Switch the dishwasher on with the On/Off button (ⓘ).

The Start/Stop indicator light flashes and the indicator light comes on next to the last programme selected.

Selecting a programme

Choose your programme according to the type of load and how dirty it is.

The different programmes and their uses are described in the programme chart later on in this booklet.

Starting a programme

- Select the programme required using the programme selector button.

The indicator light for the programme selected comes on.

The programme duration will appear in the hours and minutes in the display.

You can now select an additional function (see "Additional functions").

- Press the Start/Stop button.

The programme cycle will begin. The Start/Stop and Wash/Rinse indicators and the indicator for the programme selected will light up.

If the "2 in 1-Tab" or "3 in 1-Tab" function has been selected, the corresponding indicator will light up as well.

A programme can only be cancelled in the first few minutes. Otherwise the programme must continue to the end so that important programme stages (e.g. reactivating the water softener) are not omitted.

Operation

Display

The duration of the programme selected appears in hours and minutes in the display before the programme begins. During the programme, the time left until the end of the programme is displayed.

The time displayed may vary with the same programme. This is partly because of the water inlet temperature at each intake, and partly because of the amount and soiling level of the crockery.

When a programme is selected for the first time, the display shows an average time for a cold water intake.

The times shown in the programme chart refer to standard test loads and temperatures.

Each time a programme is run, the electronic unit takes the new conditions into account, and calculates the time required.


Programme sequence indicators

After a programme has been started, the current stage of the programme is indicated by the programme sequence indicator lights.

At the end of a programme

A programme has finished when a "0" appears in the display and the "End" programme sequence indicator lights up.

The dishwasher can now be opened and unloaded (see "Unloading the dishwasher").

 To prevent the risk of steam damage to the worktop edging above the dishwasher, it is advisable to leave the door closed until you are ready to unload the crockery. Alternatively you can open the door fully until the crockery is cool enough to unload. Do not leave the door only partially open.

Switching off

At the end of a programme:

- Switch the dishwasher off with the On/Off button ①.

The dishwasher will continue to use electricity until the On/Off button ① is switched off.

If the dishwasher is not to be used for a longer period of time, e. g. whilst on holiday, the stopcock should be turned off.

Unloading the dishwasher

Dishes tend to break and chip more easily when they are hot.

Allow the dishes to cool until they are comfortable enough to handle before unloading them.


If you open the door fully after switching off, the dishes will cool much faster.

- First unload the lower basket, then the upper basket and cutlery tray (depending on model). This will prevent water drops from the upper basket and cutlery tray from falling onto the dishes in the lower basket.

Interrupting a programme

A programme is interrupted as soon as the door is opened.

If the door is closed again, the programme will continue from the point it was at before the door was opened.

 Water in the dishwasher may be hot. Danger of scalding!

Only open the door if absolutely necessary and exercise extreme caution when doing so. Before closing the door again, leave it ajar for approx. 20 seconds. This will enable the temperature in the wash cabinet to settle. Then close the door firmly making sure that it clicks into place.

Changing a programme

Important:
If the detergent dispenser flap has already opened, do not change the programme.

If a programme has already started and you wish to change it, proceed as follows:

- Press the Start/Stop button for at least one second.

The programme will be cancelled.

- Select the programme you want and then start it.

Operation

Additional functions

Tab function

You can programme your dishwasher to ensure excellent results when using tablet detergents by simply selecting the "2 in 1" or "3 in 1" function using the Tab button.

The programme sequence will be adjusted to the type of detergent selected. Depending on the programme, the duration can be considerably longer.

"2 in 1":

When the "2 in 1" function is selected, the programme sequence is adjusted for "2 in 1" tabs (detergent containing rinse aid).

The dispensing of rinse aid and the rinse aid refill indicator light are deactivated.

"3 in 1":

When the "3 in 1" function is selected, the programme sequence is adjusted for "3 in 1" tabs (detergent containing rinse aid and salt substitutes).

The dispensing of rinse aid and the rinse aid refill indicator light are deactivated.

Salt consumption in the water softener is reduced to between $\frac{1}{4}$ and $\frac{1}{3}$ of the normal amount.

Do not select the "3 in 1" function if:

- using "2 in 1" tabs (detergent with rinse aid)
- your water hardness level is above 3.8 mmol or 21 °d.

Follow the detergent manufacturer's instructions.

The washing and drying performance of these types of detergent can vary enormously.

- Switch the dishwasher on with the On/Off button ①.

The Start/Stop indicator light will flash.

- Press the Tab button until the detergent type of your choice ("2 in 1" or "3 in 1") lights up.

If neither of the indicators lights up, the dishwasher is set for normal detergent.

The function selected is active on all programmes until the setting is changed.

- You can now start a programme or switch the dishwasher off using the On/Off button ①.

Delay start

The start time of a programme can be delayed, e.g. to benefit from economy rates of electricity. A delay start time of between 30 minutes and 24 hours can be selected.

With a delay start time of between 30 minutes and 9 hours 30 minutes, the time is set in 30 minute stages. For 10 hours or more it is set in one hour stages.

When using the Delay start function, make sure that the compartment is dry before adding detergent. Wipe dry with a cloth if necessary. If the compartment is wet, powder detergent can become lumpy and stick to the dispenser, with the result that it is not fully dispensed. Do not use liquid detergent when selecting Delay start, as it can run into the dishwasher before it is required.

- Switch the dishwasher on with the On/Off button ①.

The Start/Stop indicator light will flash.

- Select the programme required using the programme selector button.
- Press the Delay start button.

The last Delay start time used will appear in the display. The Delay Start indicator light comes on.

- Set the time required using the Delay start button.
- Press the Start/Stop button.

The Start/Stop indicator light will come on.

Operation

The time starts counting down until the programme start time: in 1 hour steps for delay start periods of over 10 hours, and in minutes for delay start periods of under 10 hours.

At the end of the delay period, the programme selected begins automatically. The time left for a programme to run then shows in the display, the Delay start indicator light goes out and the Start/Stop indicator light comes on.

How the Delay start time is shown in the display:

up to 59 minutes:

e.g. 30 minutes = **30**

between 1 hour and 9 hours 30 minutes:

e.g. 5 hours = **5.00**

10 hours and over:

e.g. 15 hours = **15h**

Starting a programme before the Delay start period has elapsed

A programme can be started before the Delay start period has elapsed.

Proceed as follows:

- Press the Start/Stop button for at least one second.

The Delay start indicator light will go out and the Start/Stop indicator light will flash.

- Press the Start/Stop button again.

The programme cycle will begin. The Start/Stop indicator light will light up constantly.



To prevent children coming into contact with dishwasher detergent do not fill the detergent dispenser **until just before starting the programme**, i.e. before pressing the Start/Stop button, and activate the child safety lock.

Factory default setting

If you have altered any settings from the factory default, you can re-set them back to the factory default settings as follows:

- Switch the dishwasher off with the On/Off button ①.
- Press the Start/Stop button in and **whilst holding it in** switch the dishwasher on using the On/Off button ①.
Keep the Start/Stop button pressed in for at least four seconds until the Start/Stop indicator light comes on.

If this does not happen, start the procedure from the beginning again.

- Press the Delay start button twelve times.

The Delay start indicator light will give one long flash and two brief flashes at intervals and "P 0" or "P 1" will flash in the display.

The characters flashing in the display show whether a setting other than the factory default setting has been set.

- "P 1": All settings are set to factory default settings.
 - "P 0": At least one setting has been changed.
- Press the Start/Stop button if you wish to re-set all the factory default settings.
 - Switch the dishwasher off with the On/Off button ①.

Operation

Adjust sensor wash

You can adjust the sensor wash programme so that it will remove stubborn soiling in a lightly soiled load.

- Switch the dishwasher off with the On/Off button ①.
- Press the Start/Stop button in and **whilst holding it in** switch the dishwasher on using the On/Off button ①.
Keep the Start/Stop button pressed in for at least four seconds until the "Start/Stop" indicator light comes on.

If this does not happen, start the procedure from the beginning again.

- Press the Delay start button five times.

The "Delay start" indicator will flash briefly five times at intervals.

The characters flashing in the display show whether the "Adjust sensor wash" function is activated or deactivated.

- "P 1": The "Adjust sensor wash" function is activated.
- "P 0": The "Adjust sensor wash" function is deactivated.

- To change the setting, press the Start/Stop button.

Switch the dishwasher off with the On/Off button ①.

Check your dishwasher regularly (approx. every 4 - 6 months). This way faults and problems can be avoided.

Cleaning the wash cabinet

The wash cabinet is largely self-cleaning, provided that the correct amount of detergent is always used.

If, however, there are limescale or grease deposits in the cabinet these can be removed with a proprietary dishwasher cleaner, such as the Miele dishwasher cleaner (available from the Miele UK Spare Parts Department).


Cleaning the door and the door seal

- Wipe the door seals regularly with a damp cloth to remove food deposits.
- When the dishwasher is being loaded, food and drink residue may drip onto the sides of the dishwasher door. These surfaces are outside the wash cabinet and are not accessed by water from the spray arms. Any soiling should be wiped off these surfaces before the door is closed.

E-Cloth

- A microfibre "E-Cloth" is available from the Miele UK Spare Parts Department, which is suitable for cleaning surfaces such as stainless steel, glass, plastic and chrome without the use of chemicals.


Cleaning the door front


 Do not use any cleaning agents containing ammonia or thinners. These would damage the surface structure.

- Clean the front using a Miele E-cloth or with suitable cleaning agent for the type of material the front is made of. Follow the manufacturer's instructions.
- Door fronts made from wood should only be cleaned using a damp cloth, and then dried with a soft cloth.
- Door fronts made of stainless steel should be cleaned using a damp cloth and a little washing up liquid, or a proprietary non-abrasive cleaning agent designed specifically for use on stainless steel.
- To help prevent re-soiling, a proprietary conditioning agent for stainless steel, such as Neoblank (available from the Miele UK Spare Parts Department) can also be used. Follow the manufacturer's instructions on the label and apply sparingly with an even pressure following the direction of the grain.

Cleaning and care

Cleaning the control panel

 Do not use abrasive cleaning agents, glass cleaning agents or all-purpose cleaners. Because of their chemical composition they could cause serious damage to surfaces.

 Stainless steel and aluminium surfaces and controls are susceptible to scratching and abrasion, and must be treated with due care. They may suffer discolouration or damage if soiling is left on them for too long. Remove soiling immediately.

Plastic panels:

- This type of control panel should only be wiped with a damp cloth or suitable cleaning agent designed for use on plastic.

Stainless steel panels:

- Control panels made of stainless steel should be cleaned using a damp cloth and a little washing up liquid, or a proprietary non-abrasive cleaning agent designed specifically for use on stainless steel (do not use it on the controls).
- To help prevent re-soiling, a proprietary conditioning agent for stainless steel, such as Neoblank (available from the Miele UK Spare Parts Department) can also be used. Follow the manufacturer's instructions on the label and apply sparingly with an even pressure following the direction of the grain.


Aluminium panels:

- Clean aluminium panels with a damp cloth and a little washing up liquid.

Aluminium is affected by the way that light falls on it, by the surrounding environment and by the angle you observe it from.

Cleaning the filters in the wash cabinet

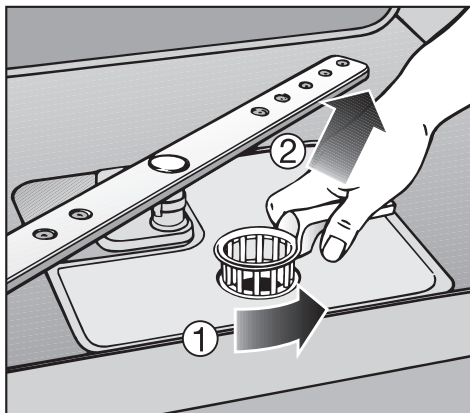
The filter combination in the base of the wash cabinet retains coarse soil from the suds solution, preventing it accessing the circulation system and re-entering the cabinet through the spray arms.

 The dishwasher must not be used without all the filters in place.

Collection of coarse soil may cause the filters to clog. The level of soiling and time it takes before the filters need cleaning will vary depending on use.

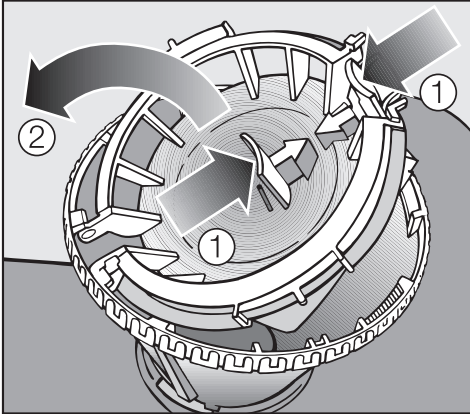
Check the condition of the filters regularly and clean them if necessary.

- Switch the dishwasher off.



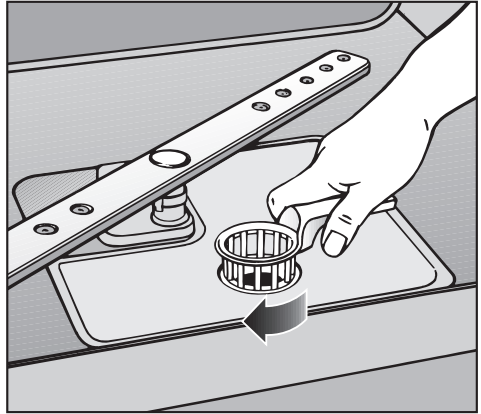
- Turn the handle anti-clockwise to release the filter combination ①.
- Lift the filter combination out of the dishwasher ②. Remove any coarse particles and rinse the filter well under running water. Use a nylon brush if necessary.

Cleaning and care




To clean the inside of the filter, the flap must be opened:

- Press together the catches in the direction of the arrows ① as shown, and open the filter ②.
- Rinse all the filters under running water.
- Then close the flap so that the catch engages.



- Replace the filter combination so that it lies flat in the base of the wash cabinet.
- Then turn the handle clockwise to lock the filter combination in place.

 Take care when you are fitting the filter combination that it is secured in position correctly. Otherwise coarse soil could get into the circulation system and cause a blockage.

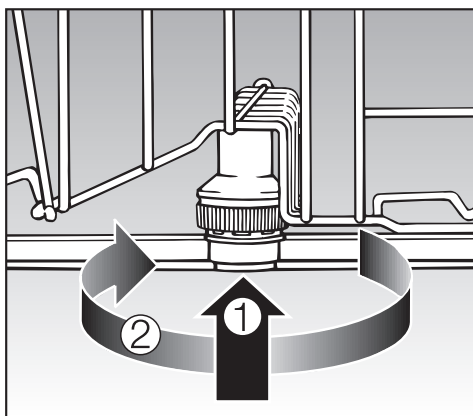
Cleaning the spray arms

Particles of food can get stuck in the spray arm jets and bearings. The spray arms should therefore be inspected and cleaned regularly (approx. every 4 - 6 months).

- Switch the dishwasher off.

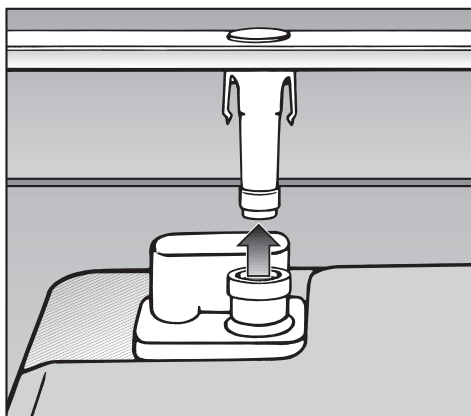
Remove the spray arms as follows:

- Take out the cutlery tray (if your dishwasher is fitted with one).
- Push the **top** spray arm upwards to engage the inner ratchet. Then unscrew the spray arm.

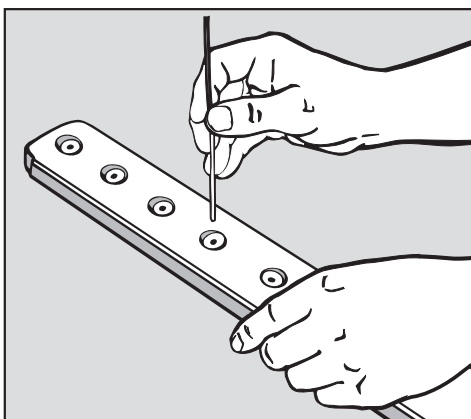


- Push the **middle** spray arm upwards ① to engage the ratchet. Then unscrew the spray arm ②.

- Remove the lower basket.



- Pull the **lower** spray arm firmly upwards to remove it.




- Use a pointed object to push food particles into the spray arm jets.
- Rinse thoroughly under running water.
- Replace the spray arms and check that they rotate freely.

Problem solving guide

With the aid of the following guide, minor problems can be easily corrected without calling in a Miele service technician, saving you both time and money.

The following guide may help you to find the reason for a fault, and to correct it. You should, however, note the following:

 Repairs should only be carried out by a suitably qualified and trained person in accordance with current local and national safety regulations. Unauthorised or incorrect repairs could cause personal injury or damage the appliance.

Technical problems		
Problem	Possible cause	Remedy
The Start/Stop indicator does not flash after the dishwasher has been switched on using the On/Off button ①.	The appliance is not plugged in.	Insert the plug and switch on at the socket.
	The fuse is defective or has tripped.	Reset or replace the fuse.
The dishwasher stops during a programme.	The fuse is defective or has tripped.	Reset or replace the fuse.

Problem solving guide

Problem	Possible cause	Remedy
<p>The Wash/Rinse, Drying and End indicator lights flash simultaneously. Fault code FXX shows in the display.</p>	<p>There may be a technical fault.</p>	<ul style="list-style-type: none"> – Switch the dishwasher off with the On/Off button ①. After a few seconds: – Switch the dishwasher back on. – Select the programme required with the programme selector button. – Press the Start/Stop button. <p>If the programme sequence indicator lights flash again, there is a technical fault.</p> <ul style="list-style-type: none"> – Call the Service Department.
<p>The drain pump works even when the door is open.</p>	<p>Fault F70: The Waterproof System has reacted.</p>	<ul style="list-style-type: none"> – Turn off the stopcock. – Call the Service Department.

Problem solving guide

The dishwasher does not fill/drain		
Problem	Possible cause	Remedy
The Inlet/Drain check indicator flashes.	The stopcock is closed.	Open the stopcock fully.
The dishwasher stops during a programme. The Inlet/Drain check indicator flashes. Fault code FXX shows in the display.		Before rectifying the problem you must: <ul style="list-style-type: none"> – Switch the dishwasher off with the On/Off button ①.
	Fault F12/F13: Water inlet restricted.	<ul style="list-style-type: none"> – Open the stopcock fully. – Clean the water inlet filter (see "Problem solving"). – The water pressure at the intake is lower than 30 kPa (0.3 bar). Seek professional advice.
	Fault F11: Water outlet is restricted, water remains in the wash cabinet at the end of a programme.	<ul style="list-style-type: none"> – Clean the filter combination. See "Cleaning and Care". – Clean the drain pump. See "Problem solving". – Clean the non-return valve. See "Problem solving". – Remove any kink in the drain hose.

Problem solving guide

General problems		
Problem	Possible cause	Remedy
Detergent residue is left in the dispenser at the end of a programme.	The dispenser was still damp when detergent was added.	Make sure the dispenser is dry before adding detergent.
The detergent lid cannot be closed properly.	Clogged detergent residue is blocking the catch.	Clean the detergent from the catch.
At the end of a programme there is a film of moisture on the inside of the door and the interior walls.	This is caused by the drying system and does not indicate a fault.	The moisture will dissipate after a short while.
Water remains in the wash cabinet at the end of a programme.		Before rectifying the problem you must: – Switch the dishwasher off with the On/Off button ①.
	The filter combination in the wash cabinet is clogged.	Clean the filter combination. See "Cleaning and Care".
	The drain pump or non-return valve may be blocked.	Clean the drain pump or the non-return valve. See "Problem solving".
	The drain hose is kinked.	Remove any kink from the drain hose.

Problem solving guide

Noises		
Problem	Possible cause	Remedy
Knocking noise in the wash cabinet.	A spray arm is knocking against an item in a basket.	Interrupt the programme, and rearrange the items which are obstructing the spray arm.
Rattling noise in the wash cabinet.	Items of crockery are insecure in the wash cabinet.	Interrupt the programme, and rearrange the items of crockery.
Knocking noise in the water pipes.	This may be caused by the on-site installation or the cross-section of the piping.	This has no influence on dishwasher function. If in doubt, contact a suitably qualified plumber.

Unsatisfactory washing result

Problem	Possible cause	Remedy
The dishes are not clean.	The dishes were not loaded correctly.	See notes in "Loading the dishwasher"
	The programme was not powerful enough.	Select a more intensive programme. See "Programme chart".
	There is some stubborn soiling although most of the crockery is only lightly soiled (e.g. with tea stains).	Use the "Adjust sensor wash" function (see "Additional functions").
	Not enough detergent was dispensed.	Use more detergent, or change your detergent.
	Items are blocking the path of the spray arms.	Rearrange the items so that the spray arms can rotate freely.
	The filter combination in the base of the wash cabinet is not clean or is not correctly fitted. This may cause the spray arm jets to get blocked.	Clean and/or fit the filter combination correctly. Clean the spray arm jets. See "Cleaning and care".
	The non-return valve is open and blocked. Dirty water has flowed back into the wash cabinet.	Clean the drain pump and the non-return valve. See "Cleaning the drain pump and non-return valve".
Smearing appears on glassware and cutlery, there is a bluish sheen on the surface of glassware; film can be wiped off.	The rinse aid dosage is set too high.	Reduce the dosage. See "Before using for the first time".

Problem solving guide

Problem	Possible cause	Remedy
Dishes, cutlery and glasses are not dry or are flecked.	The rinse aid amount may be insufficient or the rinse aid reservoir empty.	Replenish the reservoir, increase the dosage or change the brand of rinse aid. See "Before using for the first time".
	Crockery was taken out of the cabinet too soon.	Leave it in for longer. See "Operation".
	You are using "2 in 1" or "3 in 1" tablets, which do not have a strong enough drying performance.	Set the Tab function (if present) to "Normal", and replenish the rinse aid.
	The "2 in 1/3 in 1 Tab" function (if present) is switched on, even though tablets are not being used.	Set the Tab function (if present) to the detergent product being used (see "Tab function").
White residue is visible on cutlery and crockery, clouding occurs on glassware; film can be wiped off.	Not enough rinse aid was used.	Increase the dosage. See "Before using for the first time".
	There is no salt in the salt reservoir.	Fill the salt reservoir. See "Before using for the first time".
	The salt reservoir cap has not been screwed on correctly.	Replace it, making sure that it screws back on correctly.
	An unsuitable "2 in 1" or "3 in 1" tablet has been used.	Change your detergent. Use a standard liquid, tablet or powder detergent, and refill the salt and rinse aid reservoirs in the dishwasher.
	The water softener is programmed to a setting which is too low.	Select a higher water softener setting. See "Before using for the first time".


Problem solving guide

Problem	Possible cause	Remedy
Glassware has a brown or blue tinge, and film cannot be wiped off.	This may be caused by the detergent.	Change your detergent.
Glassware is dull and discoloured; film cannot be wiped off.	The glassware is not dishwasher-proof. The surfaces are affected.	There is no remedy. Purchase glassware which is dishwasher-proof.
Tea or lipstick stains have not been completely removed.	The wash temperature of the selected programme was too low.	Select a programme with a higher wash temperature.
	The bleaching effect of the detergent used is too low.	Change your detergent.
Plastic items are discoloured.	Natural dyes e.g. from carrots, tomatoes or ketchup may be the cause. The amount of detergent used or its bleaching effect was not sufficient to deal with natural dyes.	Use more detergent. See "Operation". Discolouration is irreversible.
There are rust stains on cutlery.	The affected items are not corrosion resistant.	There is no remedy. Purchase cutlery which is dishwasher-proof.
	The "Quick wash" programme was not run after dishwasher salt was added. Traces of salt have got into the wash cycle.	Always run the "Quick wash" programme, without any crockery in the dishwasher, after adding dishwasher salt.
	The salt reservoir cap has not been screwed on correctly.	Replace it, making sure that it screws back on correctly.

Problem solving

Cleaning the water inlet filter

A filter is incorporated in the screw connection of the valve on the water inlet hose. The filter must be cleaned when dirty, otherwise insufficient water flows into the wash cabinet.

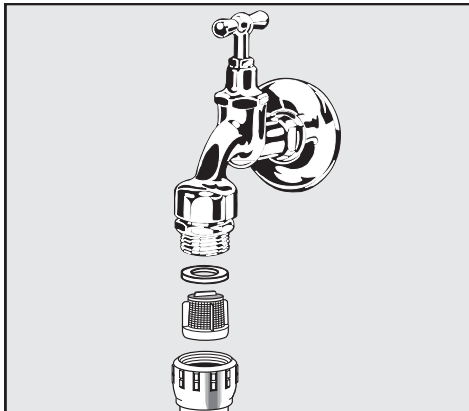
 The plastic housing of the water connection contains an electrical component. It must not be dipped in water.

Recommendation

If the mains water contains a large number of insoluble substances, we recommend fitting a large-area filter in the connection between the stopcock and the water inlet hose threaded union. This filter is available from the Miele Spares Parts dept.

Cleaning the filter:

- Disconnect the dishwasher from the mains supply. Switch off at the mains socket and withdraw the plug.
- Turn off the stopcock.
- Unscrew the inlet hose.

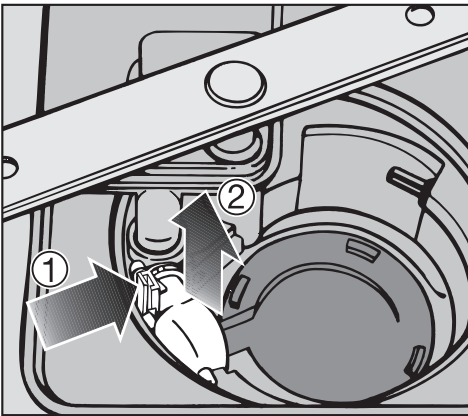


- Carefully remove the seal.
- Withdraw the filter using pointed pliers and rinse clean under running water.
- Replace the filter and seal, making sure they are sitting correctly.
- Reconnect the inlet hose to the stopcock, making sure it goes on correctly and is not cross-threaded.
- Turn on the stopcock gradually to test for leaks. If there is a leak, the inlet hose might not be on securely, or it may have been screwed on at an angle. Unscrew and reconnect the water inlet valve correctly.

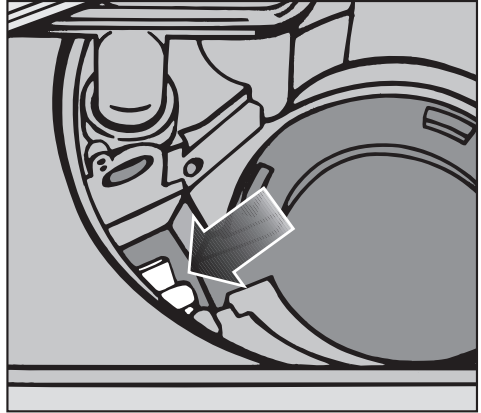
Cleaning the drain pump and non-return valve

If the water has not been pumped away at the end of a programme the drain pump or the non-return valve might be blocked. They are, however, easy to clean. Watch out for glass or bone splinters which could cause injury.

- Disconnect the dishwasher from the mains supply. Switch off at the mains socket and withdraw the plug.
- Take the filter combination out of the wash cabinet (see "Cleaning and care", "Cleaning the filters in the wash cabinet").
- Scoop the water out of the cabinet using a suitable container or utensil.



- Press the catch for the non-return valve inwards ①.
- Lift out the non-return valve ② and rinse well under running water.
- Remove all foreign objects from the non-return valve.



The drain pump is situated under the non-return valve (see arrow).

- Remove all foreign objects from the drain pump (watch out for glass or bone splinters which are particularly difficult to detect and could cause injury). Turn the drain pump impeller by hand to check that there are no more obstructions. You will feel a little resistance when you turn the impeller.
- Carefully replace the non-return valve, and secure it with the catch.

 Ensure that the catch engages.

After sales service

Repairs

In the event of any faults that you cannot remedy yourself, please contact:

- your Miele dealer, or
- the Miele Service Department (see back cover for contact details).
- When contacting your Dealer or the Miele Service Department, please quote the model type and number of your appliance, both of which are shown on the data plate on the right hand side of the door.

Please note that telephone calls may be monitored and recorded for training purposes.

Future updates (PC)

The programme update function (PC) is designed to enable a service technician to update your appliance's electronics in keeping with advances in technology.

The "PC" indicator light is used as the interface for this programming.

For testing institutes

The "**Comparison tests**" document gives information regarding loads and programmes used for comparison testing.

This document can be ordered by e-mail from:

- testinfo@miele.de


- Please give your postal address, as well as the model type and number of your dishwasher (see data plate).

To make the most of your dishwasher

Optional accessories for particular purposes are available from your Miele dealer or from the Spare Parts Department (some may be supplied as standard depending on model).

If you would like to ...	you will need to order ...
... wash long-stemmed glassware	... a glassware insert for the upper basket
... wash a Miele Cappuccinatore	... a Cappuccinatore insert for the upper basket
... wash bottles, e. g. milk or baby bottles	... a bottle holder
... wash additional items of cutlery	... a small cutlery basket for the lower basket
... wash a lot of glasses	... a glassware insert for the bottom basket
... wash large plates	... an insert for plates up to: - 33 cm diameter - 35 cm diameter

Programme chart

Programme	When to use
Sensor wash	Sensor controlled programme for normally soiled crockery
Quick wash 40 °C	"Quick programme" for lightly soiled crockery, e.g. party crockery; for flushing out salt residues after replenishing the salt reservoir; includes sensor controlled ³⁾ glass care; not suitable for tablet detergents.
Sensor wash gentle 	Sensor controlled ³⁾ gentle programme for lightly soiled and temperature sensitive crockery and glassware; reduce detergent by 50%
Energy save ¹⁾	for normal everyday loads, energy saving programme which uses a low temperature and long programme duration; includes sensor controlled ³⁾ glass care
Pots & pans 75 °C	for normally soiled pots, pans, dishes etc with dried on soiling; for very heavy soiling, add 20% more detergent than recommended
Pre-wash	for rinsing crockery to avoid smells, if a complete cycle is not yet needed

1) Standard programme for energy labelling.

2) See "Operation, Display".

3) Depending on model.

Programme chart


Programme sequence					Consumption			Duration	
					Energy kWh		Water	h:min ²⁾	
Pre-wash 1 2	Main wash	Interim rinse 1 2	Final rinse	Drying	Cold water connec- tion (15 °C)	Hot water connec- tion (55 °C)	Litres	Cold water connec- tion (15 °C)	Hot water connec- tion (55 °C)
if required	X 45 °- 65 °	if required	X 65 °	X	1.0-1.5	0.65-0.8	13-22	1:39-2:34	1:24-2:08
	X 40 °	X	X 50 °		0.75	0.22	13	0:33	0:22
if required	X 37 °- 48 °	if required	X 55 °	X	0.85-1.0	0.4-0.5	13-22	1:25-1:55	1:14-1:36
	X 45 °	X	X 60 °	X	1.05	0.7	13	2:56	2:44
X	X 75 °	X	X 65 °	X	1.6	1.0	17	2:46	2:30
X					0.02	0.02	5	0:12	0:12

On G 2XXX models (see data plate), the max. energy consumption is 0.1 kWh and the water consumption is up to 1 litre higher, except on the Pre-wash programme.
The durations given can vary depending on individual circumstances.

Values quoted are in accordance with EN 50242. Results may differ, depending on individual conditions and the level of soiling.

Electrical connection

Electrical connection U.K.

 All electrical work must be carried out by a suitably qualified and competent person, in accordance with current local and national safety regulations (BS 7671 in the UK).

Ensure power is not supplied to the appliance until after installation work has been carried out.

The appliance is supplied with a mains cable with moulded plug ready for connection to a 230-240V mains supply. Please ensure the connection data quoted on the data plate match the household mains supply.

Connection should be made via a suitable switched socket which is easily accessible after installation.

For extra safety it is advisable to install a residual current device (RCD), with a trip current of 30 mA (in accordance with DIN VDE 0664, VDE 0100 Section 739).

Do not connect via an extension lead. Extension leads do not guarantee the required safety of the appliance (e.g. danger of overheating).


Non-rewireable plugs BS 1363

The fuse cover must be refitted when changing the fuse, and if the fuse cover is lost, the plug must not be used until a suitable replacement is obtained. The colour of the correct replacement cover is that of the coloured insert in the base of the plug, or the colour that is embossed in words on the base of the plug (as applicable to the design of plug fitted).

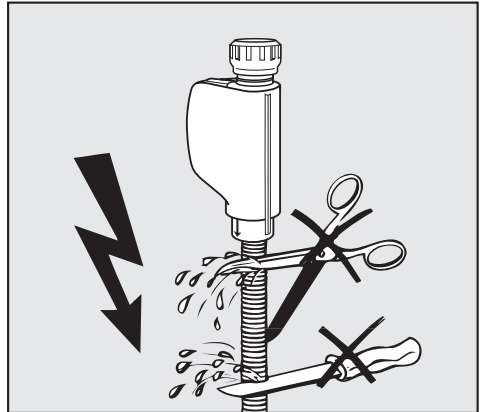
Replacement fuses should be ASTA approved to BS 1362 and have the correct rating. Replacement fuses and fuse covers may be purchased from your local electrical supplier.


**WARNING: THIS APPLIANCE
MUST BE EARTHED**

Connection to the water supply

 Water in the dishwasher must not be used as drinking water.

- The dishwasher may be connected to a cold or hot water supply, max. 60 °C. We would only recommend connection to a hot water supply if it is economical, e.g. a solar powered supply. When connected to a hot water supply all programme stages which would otherwise be carried out with cold water will be carried out with hot water.
- The inlet hose is approx. 1.5 m long. A 1.5 metre long flexible metal extension hose, pressure tested to 14000 kPa/ 140 bar, is available as an optional accessory if required.
- A stopcock with a 3/4 " male thread must be provided on site.
- This appliance is constructed to comply with IEC/EN/DIN 61770 // VDE 0700 Section 600, and may be connected to a suitable supply without an extra non-return valve if national regulations permit.
- The water pressure (flow pressure at the take-off point) must be between 30 and 1000 kPa (0.3 and 10 bar). If the water pressure is too high, a pressure reducing valve must be fitted.



 The inlet hose must **not** be shortened or damaged in any way as it contains electrical components (see illustration).

Plumbing

Drainage

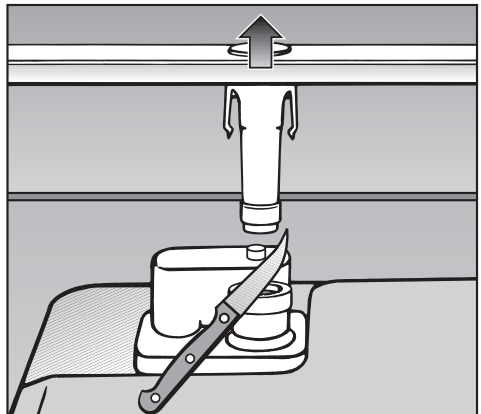
- The appliance drainage system is fitted with a non-return valve, which prevents dirty water from flowing back into the dishwasher via the drain hose.
- The dishwasher is supplied with approx. 1.5 m of flexible drain hose with an internal diameter of 22 mm.
- The drain hose can be extended using a connection piece to attach a further length of hose. The drainage length must not be longer than 4 m, and the delivery head must not exceed 1 m.
- If the hose is to be directly fitted to the drainage outlet on site, use the hose clip supplied.
- The hose can be directed to the left or the right of the appliance.
- The on-site connector for the drain hose can be adapted to different widths of hose. If the connector protrudes too far into the drain hose, it will need to be shortened. Otherwise the drain hose may become blocked.
- The drain hose must not be shortened.
- Make sure that there are no kinks in the hose, and that it is not squashed or stretched.

Venting the drainage system

If the on-site drain connection is situated lower than the guide path for the bottom basket rollers in the open door the drainage system must be vented. Otherwise a siphoning effect during a programme can cause the appliance to empty itself of water.

To vent it:

- Open the dishwasher door fully.
- Pull the lower spray arm firmly upwards to remove it.



- Cut off the top of the vent valve in the wash cabinet.

Technical data

Dishwasher model	G 1XXX	G 2XXX
Height freestanding	84.5 cm (adjustable +3.5 cm)	-
Height built-in	80.5 cm (adjustable + 6.5 cm)	84.5 cm (adjustable + 6.5 cm)
Height of building-in recess	min. 80.5 cm (+ 6.5 cm)	min. 84.5 cm (+ 6.5 cm)
Width	59.8 cm	59.8 cm
Width of building-in recess	60 cm	60 cm
Depth:		
Freestanding	60 cm	-
Built-in	57 cm	57 cm
Weight:		
Freestanding	approx. 61.0 kg	-
Built-under	approx. 55.0 kg	approx. 57.0 kg
Integrated	approx. 53.0 kg	approx. 55.0 kg
Voltage		
Connected load	See data plate on right hand side of door.	
Fuse rating	See plug.	
Test certificates awarded	KEMA, VDE, radio and television suppressed	KEMA, VDE, radio and television suppressed
Water pressure (flow rate)	30 - 1000 kPa (0.3 - 10 bar)	30 - 1000 kPa (0.3 - 10 bar)
Hot water connection	up to max. 60 °C	up to max. 60 °C
Delivery head	max. 1 m	max. 1 m
Drainage length	max. 4 m	max. 4 m
Mains cable	approx. 1.7 m	approx. 1.7 m
Capacity	12 place settings	14 place settings

**United Kingdom:**

Miele Co. Ltd.
Fairacres, Marcham Road
Abingdon, Oxon, OX14 1TW
tel. Abingdon (01235) 554455
Service Office: (01235) 554466
fax (01235) 554477
Internet: www.miele.co.uk

Ireland:

Miele Ireland Ltd.
Broomhill Road, Tallaght, Dublin 24
Tel: (01) 46 10 710, Fax: (01) 46 10 797
Email: info@miele.ie
Internet: <http://www.miele.ie>

Australia:

Miele Australia Pty. Ltd.
A.C.N. 005635398
1 Gilbert Park Drive
Knoxfield, VIC 3180
Telephone: (03) 9764 7100
Fax: (03) 9764 7129
Internet: www.miele.com.au

Distributor New Zealand:

Steelfort Engineering Company. Ltd.
500 Rangitikei Street
Palmerston North, Priv. Bag 11045, NZ
Telephone: (06) 350 1350
Fax: (06) 356 1507

South Africa:

Miele (Pty) Ltd
63 Peter Place
Bryanston 2194
P.O. Box 69434
Bryanston 2021
Tel.: (011) 548 1900
Telefax (011) 548 1935
Internet: www.miele.co.za
E-mail: info@miele.co.za

Singapore:

Miele Southeast Asia
Miele Pte. Ltd.
163 Penang Road
04 - 02/03 Winsland House II
Singapore 238463
Tel : +65-67351191
Fax: +65-67351161
Email: infosea@miele.com.sg
Internet: www.miele.sg

Hong Kong:

Miele (Hong Kong) Limited
AIA Plaza, 24th Floor
18 Hysan Avenue
Causeway Bay
Hong Kong
Tel.: (852) 2610 1331
Fax: (852) 2610 1013
E-mail: mielehk@miele.com.hk

Free Manuals Download Website

<http://myh66.com>

<http://usermanuals.us>

<http://www.somanuals.com>

<http://www.4manuals.cc>

<http://www.manual-lib.com>

<http://www.404manual.com>

<http://www.luxmanual.com>

<http://aubethermostatmanual.com>

Golf course search by state

<http://golfingnear.com>

Email search by domain

<http://emailbydomain.com>

Auto manuals search

<http://auto.somanuals.com>

TV manuals search

<http://tv.somanuals.com>