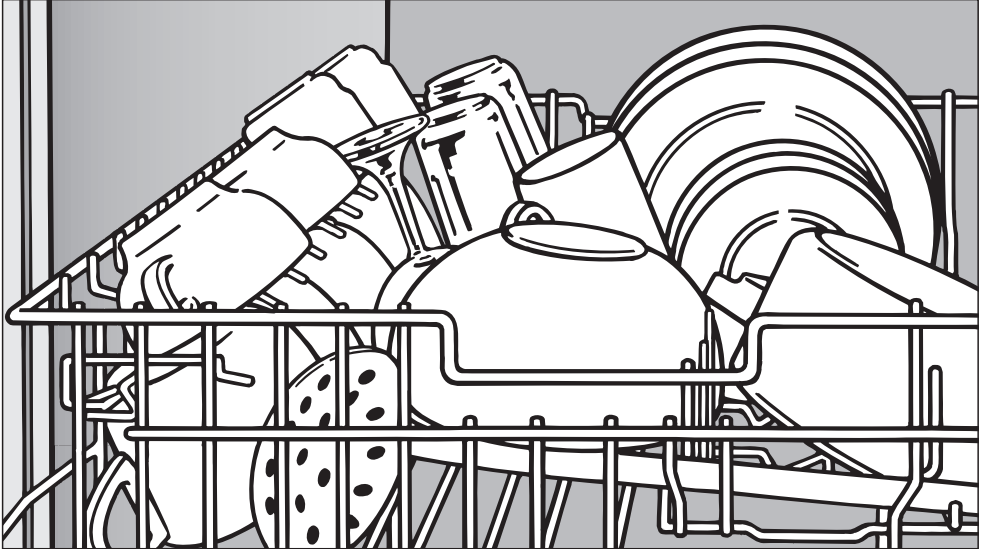


# Miele

## Operating Instructions



## Dishwasher G 2872

To prevent accidents  
and appliance damage  
read these instructions

**before**

installation or use.

en - US, CA

M.-Nr. 07 724 170

# Contents

---

<b>IMPORTANT SAFETY INSTRUCTIONS</b> . . . . .	4
<b>Guide to the dishwasher</b> . . . . .	8
Control panel . . . . .	9
Display function . . . . .	10
<b>Caring for the environment</b> . . . . .	11
<b>Before using for the first time</b> . . . . .	12
To open the door . . . . .	12
To close the door . . . . .	12
Water softener . . . . .	15
Filling the salt container . . . . .	16
Salt refill message . . . . .	16
Rinse aid . . . . .	17
Adding rinse aid . . . . .	17
Rinse aid refill message . . . . .	18
<b>Loading the dishwasher</b> . . . . .	19
Items not recommended for dishwashing . . . . .	20
Split cutlery tray . . . . .	21
Upper basket . . . . .	22
Adjusting the upper basket . . . . .	25
Lower basket . . . . .	26
<b>Basket accessories</b> . . . . .	29
<b>Use</b> . . . . .	30
Adding detergent . . . . .	31
<b>Program guide</b> . . . . .	33
<b>Use</b> . . . . .	35
Selecting options . . . . .	35
Starting a program . . . . .	36
Time display . . . . .	36
At the end of a program . . . . .	37
Preparing your appliance for an extended vacaion . . . . .	37
Interrupting a program . . . . .	37

<b>Additional options</b> . . . . .	39
<b>Settings</b> † . . . . .	41
Drying Plus. . . . .	44
Water hardness . . . . .	44
External water softener . . . . .	44
Filter check . . . . .	45
Button tone. . . . .	49
RemoteVision . . . . .	49
Factory default . . . . .	50
<b>RemoteVision</b> . . . . .	51
<b>Frequently asked questions</b> . . . . .	52
Technical faults . . . . .	52
Problems water intake/drain . . . . .	54
General problems with the dishwasher . . . . .	56
Sounds. . . . .	58
Poor cleaning results . . . . .	59
<b>Comparison Tests</b> . . . . .	62
<b>After sales service</b> . . . . .	64
<b>Transport</b> . . . . .	65
<b>User Maintenance Instructions</b> . . . . .	67
<b>Cleaning and Care</b> . . . . .	68
Triple filter system . . . . .	70
Cleaning the spray arms . . . . .	72
Cleaning the water inlet filter . . . . .	73
Cleaning the drain pump and non-return valve . . . . .	74
<b>Installation instructions</b> . . . . .	75
<b>Electrical connection</b> . . . . .	76
<b>Plumbing</b> . . . . .	77
Waterproof system . . . . .	77
Connection to the water supply . . . . .	77
Drainage . . . . .	78

# IMPORTANT SAFETY INSTRUCTIONS

---

## WARNING –

**When using your dishwasher, follow basic precautions, including the following:**

Read all instructions before installation or use of the dishwasher to prevent injury and machine damage.

Use the dishwasher only for its intended purpose. This appliance is intended for residential use only.

Keep these operating instructions in a safe place and pass them on to any future user.

## Electrical Safety

- ▶ Before installation, make sure that the voltage and frequency listed on the data plate correspond with the household electrical supply. This data must correspond to prevent injury and machine damage. Consult a qualified electrician if in doubt.
- ▶ Before installation or service, disconnect the power supply to the work area by unplugging the unit, "tripping" the circuit breaker or removing the fuse.
- ▶ Do not use an extension cord to connect this appliance to electricity. Extension cords do not guarantee the required safety of the appliance (e.g. danger of overheating).
- ▶ Be certain your appliance is properly installed and grounded by a qualified technician. To guarantee the electrical safety of this appliance continuity must exist between the appliance and an effective grounding system. It is imperative that this basic safety requirement be met. If there is any doubt, have the electrical system of the house checked by a qualified electrician.

# IMPORTANT SAFETY INSTRUCTIONS

---

## Installation

▶ The dishwasher must be installed and connected in compliance with the installation instructions.


▶ Installation and repair work should be performed by a Miele authorized service technician. Work by unqualified persons could be dangerous and may void the warranty.

▶ Do not install or use a damaged dishwasher. A damaged appliance is dangerous. Unplug the machine and call your Miele dealer or the Miele Technical Service Department.

▶ Ensure that any plastic wrappings, bags, etc. are disposed of safely and kept out of the reach of children. Danger of suffocation!

▶ This equipment is not designed for maritime use or for use in mobile installations such as recreational vehicles or aircraft. However, under certain conditions it may be possible for an installation in these applications. Please contact the nearest Miele dealer or the Miele Technical Service Department with specific requirements.

▶ It is recommended that the dishwasher only be connected to the mains with the plug (no hard-wiring). The outlet must be accessible at all times after installation to disconnect the dishwasher.

▶  WARNING - Fire hazard  
Do not cover or crush the plug of the appliance. Ensure that the cabinet opening for the dishwasher provides ample space for the plug. Installing the dishwasher in a tight space may crimp the power cord or put pressure on the plug which could cause overheating.

▶ This dishwasher should only be installed under a continuous counter top secured to adjacent cabinetry.

▶ Do not install this dishwasher beneath a cooking surface, oven or any appliance that radiates heat. High temperatures from these units may damage the dishwasher.

▶ When installing the dishwasher under a counter top and removing the toe-kick, a build-under toe-kick must be installed. Use the respective installation kit. Danger of injuries.

▶ Do not cut the intake hose or submerge it in liquid. This hose contains electrical components that could cause injury or property damage if cut or submerged.

▶ Only connect the dishwasher to the mains when all installation and plumbing work is complete.

# IMPORTANT SAFETY INSTRUCTIONS

---

## Use

- ▶ To reduce the risk of injury, do not allow children to play in, on or near the dishwasher.
- ▶ Only use the dishwasher if all panels are properly in place.
- ▶ Do not tamper with the controls.
- ▶ Do not damage, sit or stand on the door or baskets of the dishwasher. Close the door when not in use.
- ▶ Under certain conditions, hydrogen gas may be produced in a hot water system that has not been used for two weeks or more. **HYDROGEN GAS IS EXPLOSIVE.** If the hot water system has not been used for such a period, turn on all hot water faucets and let water flow from each for several minutes before using the dishwasher. This will release any accumulated hydrogen gas. Do not smoke or use an open flame during this time.
- ▶ Be sure that all items placed in the dishwasher are "dishwasher safe". For items not labeled, check the manufacturer's recommendations.
- ▶ When loading tableware, place sharp items away from the door to prevent damage to the seal. Load sharp items pointing downwards to prevent injuries.
- ▶ Only use detergents and rinse aids recommended for residential dishwashers. Keep all detergents and rinse aids out of the reach of children.
- ▶ Do not inhale or swallow detergents. Dishwasher detergents contain irritant and corrosive ingredients. They can cause burning in the mouth and throat if swallowed, or inhibit breathing. Consult a doctor immediately if detergent has been swallowed or inhaled.
- ▶ Do not drink water from the dishwasher! Harmful residues could be present.
- ▶ Do not fill the rinse aid reservoir or salt container with detergent. It will destroy the rinse aid compartment and water softener.
- ▶ If the power cord is damaged it must only be replaced by a Miele Service technician with a genuine Miele power cord.
- ▶ This model offers a Drying Plus feature, i.e. the door will automatically open, without an audible signal first being given, at the end of the program releasing warm air from the dishwasher. Use caution, the air may be hot!
- ▶ This model offers an AutoClose feature, i.e. the door will automatically shut once close enough to engage the catch.

# IMPORTANT SAFETY INSTRUCTIONS

---

▶ Advise the user of the AutoClose feature to avoid injuries by walking, bumping or knocking into the partially opened door.

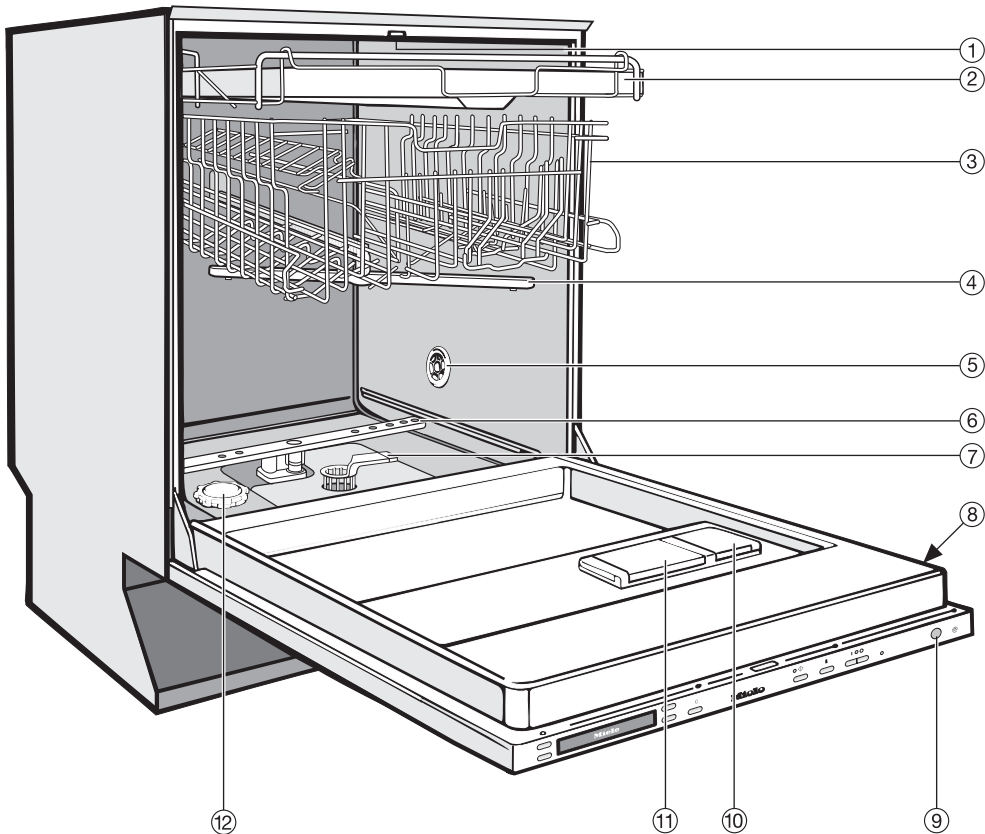
▶ Supervise children near the dishwasher to ensure fingers or other parts of the body are not caught when the AutoClose feature is in operation.

## **Disposal of an appliance**

▶ If the appliance is removed from its installation site and will not be used, remove the doorlock to the wash cabinet to prevent children from locking themselves in the machine.

## **SAVE THESE INSTRUCTIONS**

# Guide to the dishwasher



- ① Upper spray arm (not visible)
- ② Cutlery tray
- ③ Upper basket
- ④ Middle spray arm
- ⑤ Air inlet for drying (depending on model)
- ⑥ Lower spray arm
- ⑦ Triple filter system
- ⑧ Data plate
- ⑨ Optical interface
- ⑩ Rinse aid reservoir
- ⑪ Dual compartment detergent dispenser
- ⑫ Salt container



## Control panel



### ① Selection buttons

To select a menu point from this display, to change the displayed value (+/-) or to browse between menus.

### ② Display

See the following pages for more information.

### ③ Clear button

To switch back to the previous menu level or to discard a selected setting.

### ④ ◊ Delay Start button with indicator

### ⑤ i button (Information)

To display more info about the displayed menu

### ⑥ | On button with indicator

To turn the dishwasher on

### ⑦ ○ Off button

To turn the dishwasher off

### ⑧ Technical Service interface

Allows a service technician to check and update the machine when applicable.

### ⑨ Optical interface


To show the current wash cycle status when the door is closed

# Guide to the dishwasher

## Display function



The following can be selected in the display

- the wash program
- the options
- the start time
- the settings  menu
- information

During a running program the display shows

- the program name
- the current time of day
- the program sequence
- the approximate remaining time
- faults and messages

To save energy the display turns off 10 minutes after a button is pressed.

To turn the display on again, press any button.

- A bullet in the display next to the touch control shows that a function can be selected with this control.



The arrow on the right side in the display shows that more selections or text follow and can be displayed with the respective control.




A dotted line is shown to indicate the last selection available.

OK

To confirm these messages or settings touch OK and the next menu or another menu level will appear.



A check will appear beside the currently selected option.

The "Settings " menu allows you to customize the dishwasher settings. See "Settings" for more information.

## Energy saving washing

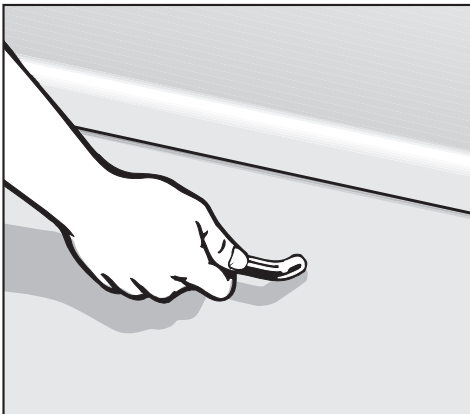
This dishwasher is exceptionally economical in the use of water and electricity. For best results follow these tips:

- For lowest energy consumption you may connect the dishwasher to a cold water source.
- For fastest possible wash times, with slightly higher energy consumption, connect the dishwasher to a hot water source.
- If the dishwasher is connected to hot water, select "Energy Saver" when washing light to normally soiled dishware. The water will not be heated, therefore the dishes may be more wet at the end of this program than when using other programs.
- Make full use of the baskets without overloading for the most economical washing.
- Use the correct amount of detergent and rinse aid. Detergent dosage is dependent upon the amount of soiling and type of dishware being washed. See the "Program Guide" for more information.
- When using powder or gel detergent reduce the amount to  $\frac{2}{3}$  when washing a small load.
- Choose a program that best suits the degree of soiling and the type of dishes being washed.
- For small loads select "Express".

## Before using for the first time

---

### To open the door



The door will open automatically at the end of the program to aid in the drying process.

This function can be deactivated (see "Settings - Drying Plus").


- Pull the handle to open the door.

If the door is opened during operation, the dishwasher will stop running. Once the door is closed the program will restart.

### To close the door

- Push the baskets in.
- Lift the door and push until the catch engages.

The door will then close automatically.

 Keep fingers and other body parts away from the door as it is closing. Danger of injury.

# Before using for the first time

---

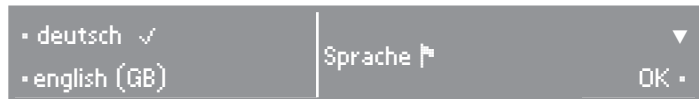
## Welcome screen

- Turn the dishwasher on |.

A Welcome screen shows when the washer is turned on for the first time.

## Language setting

The display changes automatically to the language setting.



- Select the desired language and confirm with OK.

The selected language is marked with a ✓ check.

## Clock format

The display changes automatically to the clock format.



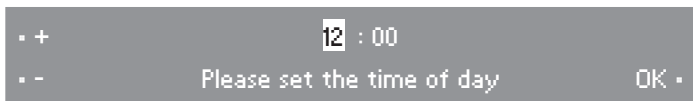
- Select the desired setting and confirm with OK.

# Before using for the first time

---

## Time of day setting

The display changes automatically to the time of day setting.



- Set the hours using the +/- controls and confirm with OK. Set the minutes and confirm.

The settings will be saved after the first wash program has completed.

Two messages Insufficient salt and Insufficient rinse aid may show. These messages are to remind you to fill the salt and rinse aid if necessary (see the relevant sections of this manual for more information).

Confirm with OK and the display changes to the main menu.



You can now either select a program or turn the dishwasher off "O".

# Before using for the first time

## Water softener

Every dishwasher is tested before leaving the factory. Any water remaining in the machine is from the final factory test and does not indicate that the machine has been used.


To achieve good cleaning results, the dishwasher needs soft water. Hard water results in calcium deposits on dishware and in the dishwasher.


If your tap water hardness is above 4 °d (4 gr/gal [US]), the water should be softened.

- The water softener must be filled with dishwasher salt for reactivation. If using "Tab" products which include salt, you should still add salt to the machine to achieve optimal cleaning results.
- Your local water authority will be able to advise you of the water hardness level in your area.
- The dishwasher must be programmed to correspond to the water hardness in your area.

If the hardness of your local supply is constantly lower than 4 °d (4 gr/gal [US]), you do **not need to add water softener salt.**


## Checking the water hardness

The water hardness level set can be viewed under the submenu "Water hardness". See "Settings  - Water hardness".

- If necessary, reset the hardness to that of your local water supply, see "Settings  - External water softener".

## External water softener

If the dishwasher is connected to an external water softener unit which is regenerated with salt, the water hardness must be set in the dishwasher.

- Set the dishwasher to the water hardness of the external water softener. See "Settings  - External water softener".

## Before using for the first time

### Filling the salt container

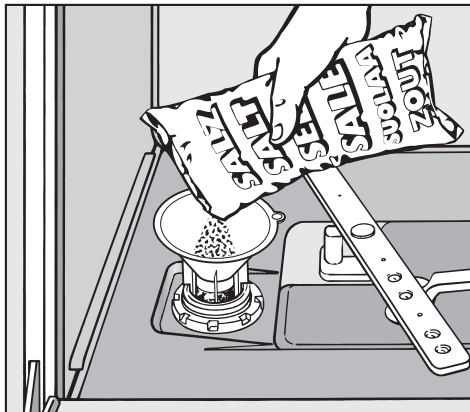
⚠ Inadvertently filling the salt container with dishwashing detergent will damage the water softener.

⚠ Only use water softener salt specially formulated for dishwashers. Other salts may contain insoluble additives which can impair the water softener.

- Remove the lower basket and unscrew the salt container lid.

When opening the salt container, water will run out. Open the container only to refill salt.

**Important:** The salt container must be filled with 2 quarts (2 l) of water **before adding salt for the first time**. Water does not have to be added with subsequent refills.



- Place the provided funnel over the salt container. Carefully fill with salt. The salt container holds approx. 4.5 lbs (2 kg) of salt. As it is filled, water will run out.
- Clean any excess salt from the threads of the container opening. Screw the lid on firmly.
- If the dishwasher will not be used immediately, run the "Express" program (without the "Turbo" function). This will remove any traces of salt from inside the wash cabinet.

### Salt refill message

- When the display shows Insufficient salt, refill the salt after the program has finished.
- Confirm with OK.

The message will clear from the display.


After the container has been filled, the water softener is automatically reactivated the next time the dishwasher is started. The Insufficient salt message will show again during this process. Confirm again with OK.



# Before using for the first time

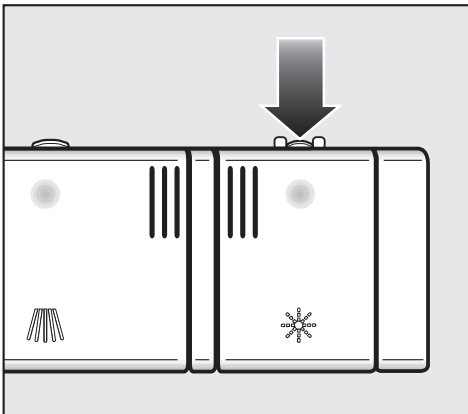
## Rinse aid

Rinse aid helps to prevent spotting on dishes and glassware. The rinse aid is filled in the reservoir and the set amount will be automatically dosed.

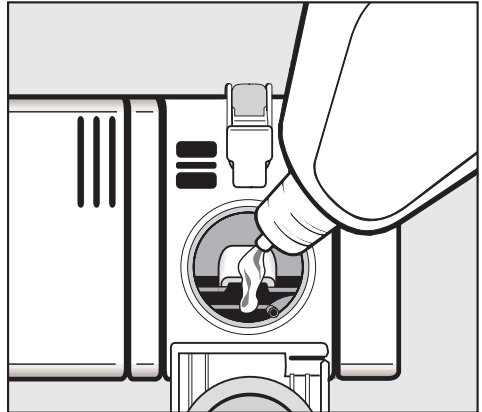
 Filling the rinse aid reservoir with detergent will damage the reservoir. Only pour rinse aid formulated for residential dishwashers into the reservoir.

When using "Tab" detergents rinse aid is not needed.

## Adding rinse aid




- Press the button in the direction of the arrow until the flap springs open.



- Pour liquid rinse aid into the reservoir until it is visible on the surface of the screen.

The rinse aid reservoir holds approx. 3.7 oz (110 ml).

- Press on the flap until you hear it click shut. Failure to close it all the way allows water to enter the reservoir during the wash program.
- Clean any spilled rinse aid. The flap will remain closed during normal operation.

To optimize the wash result, the rinse aid dosage can be adjusted. See "Settings  - Rinse aid".


## Before using for the first time

---

### Rinse aid refill message

When the Insufficient rinse aid message first comes on, there will be enough rinse aid left for 2 - 3 washes.


- Refill rinse aid after the program has finished.

If the "Tab" function is selected, the Insufficient rinse aid message will not come on. See "Settings  - Detergent".

- Confirm with OK.

The Insufficient rinse aid message will clear from the display.

## Loading the dishwasher

 Do not wash items soiled with ash, sand, wax, grease or paint in the dishwasher.

Ash and sand do not dissolve and will be distributed throughout the inside of the dishwasher.

Wax, grease and paint will cause permanent discoloration and damage to the dishwasher.

- Scrape food from dishes before placing them in the dishwasher, rinsing is not necessary.
  - Some foods contain natural dyes, e.g. carrots or tomatoes. Plastic items may discolor permanently if they come in contact with food dyes.
  - All items can be placed anywhere in the baskets.
  - Load dishes so that water can reach all surfaces. Do not place dishes or cutlery inside other pieces.
  - Make sure that all items are securely positioned.
  - Hollow items such as cups and glasses should be placed upside down in the baskets.
  - To ensure good water coverage, tall, narrow and hollow items, i.e. vases or champagne glasses, should be placed in the center of the basket rather than in the corners.
  - Concave based items such as mugs or bowls, should be placed at an angle so that water does not pool.
- The spray arms must not be blocked by items that are too tall or hang through the baskets. Check clearance by manually rotating the spray arms.
  - Place very small items in the cutlery tray or basket so they do not fall to the bottom of the wash cabinet.
  - Food residue and spilled liquids should be cleaned from the sides of the dishwasher door. These are outside of the wash cabinet and are not cleaned by water from the spray arms.

# Loading the dishwasher

---

## Items not recommended for dishwashing

- Cutlery with wooden handles
- Wooden cutting boards
- Glued items such as old knives with handles glued together around the shank of the blade
- Handmade craft items, antique, metal trimmed or decorative glassware
- Plastic items that are not heat resistant
- Copper, brass, tin or aluminum
- Dishes with color painted over the glaze. These dishes may fade over time
- Fine glassware and crystal items should only be washed using the "China & Crystal" program\*. Otherwise clouding or etching may occur after frequent washing.
- Cast iron pots and pans

\* depending on model

If unsure whether your china and crystal are dishwasher safe, please check with the manufacturer. The China & Crystal program, although extremely gentle and thorough can cause the china and crystal to "wear" if they are not dishwasher safe.

## Glassware:

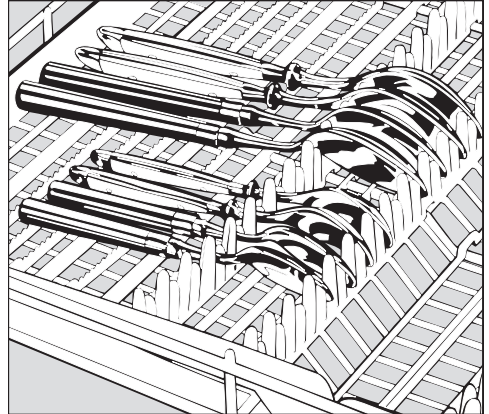
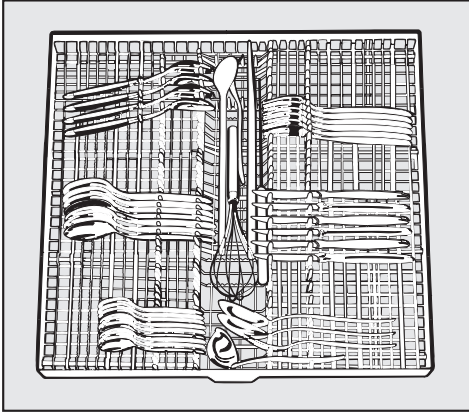
- There are no standard guidelines for washing glassware, when in doubt wash by hand.
- When purchasing new dishes, glasses and cutlery, make sure they are dishwasher safe. Only wash items marked "dishwasher safe" in the dishwasher.
- If fine glassware is washed in the dishwasher select the "China & Crystal" program\*. This will reduce the risk of clouding.

## Silver and aluminum:

- Silver or aluminum items may tarnish.
- Silverware previously cleaned with a silver polish may be damp or spotted at the end of a program where water has adhered to the polish. This can be rubbed off with a soft, dry cloth. Silver that has been cleaned in an immersion dip is usually dry at the end of a program, but may tarnish.
- If left to dry, foods containing sulfur can discolor silver. These include egg yolk, onions, mayonnaise, mustard, fish and marinades.
- Silverware may tarnish or pit if washed next to stainless steel. Leave space between these metals.
- Clean aluminum items, e.g. grease filters, with domestic dishwasher detergent only.

## Split cutlery tray

- Arrange the cutlery as shown in the cutlery tray.



Spoons with thick handles may have to be placed as knives and forks with their heads in the holders.

For easier unloading cutlery should be grouped in zones, one for knives, one for forks, one for spoons, etc.

Place knives with the cutting edge and forks with the prongs between the holders. Spoons should be placed in the opposite direction with the handles between the holders.

The upper spray arm must not be blocked by tall cutlery items.

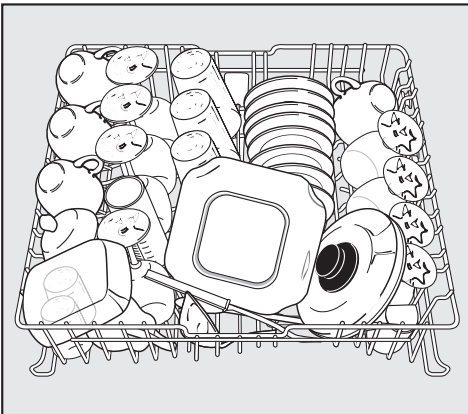
The inserts of the cutlery tray can be removed.

Single inserts can be removed to make room for tall items in the upper basket.

# Loading the dishwasher

## Upper basket

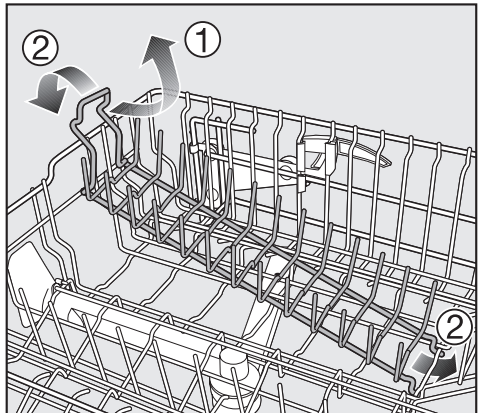
⚠ Always use the dishwasher with the upper and lower basket inserted. (except during the **Tall items** program).



- Load the upper basket with small, lightweight, or delicate items such as cups, saucers, glasses, dessert bowls and flat pans.
- Long items such as soup ladles, mixing spoons and long knives should be placed lying down across the front of the upper basket.

## Removable spike insert

The spike insert can be removed to create more space for larger items, e.g. a saucepan.



### Removing the insert ①:

- To remove an insert, gently pull up on the handle.

### Replacing the insert ②:

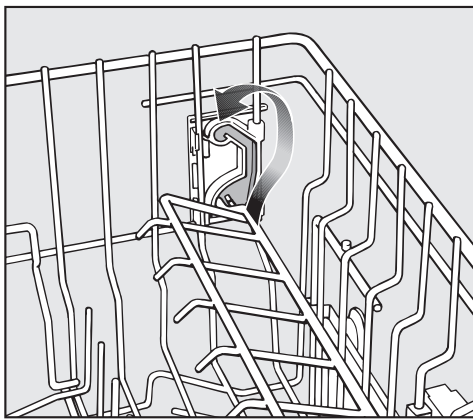
- Slide the hitches of the insert under the horizontal struts of the upper basket.
- Push down on the handle to snap the insert into position.

# Loading the dishwasher

## Adjustable cup racks

- Raise the rack to make room for tall glasses. Lower it to double stack smaller pieces.

The height of the cup rack can be adjusted in two levels.

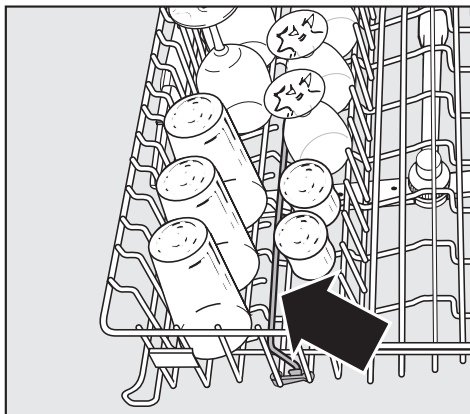


- Pull the cup rack upwards and let it engage at the desired height.

## Coffee bar

(depending on model)

Glasses can be leaned against the coffee bar to allow a firm stand.



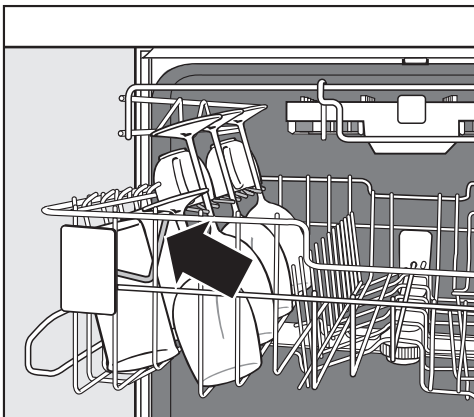
- The bar can also be used to separate two rows of glasses.
- To stack wide items, flip the bar to the right.

# Loading the dishwasher

---

## Universal support bar

The support bar will hold tall glasses and stem-ware securely.



- Fold the bar down and lean the desired glasses against it.
- If desired, a section of the cutlery tray can be removed to allow for even taller glasses.

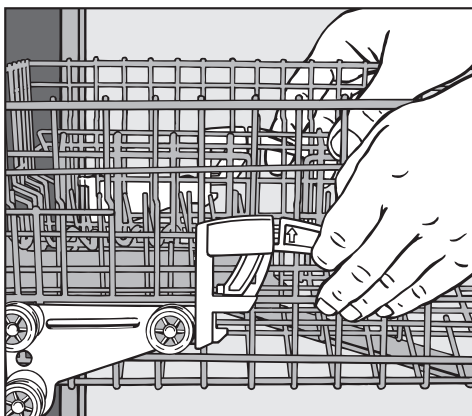


## Adjusting the upper basket

The upper basket can be raised or lowered to accommodate tall items.

The basket can also be angled to fit tall items in both, the upper and lower baskets. The angles should not be set to opposite extremes. This will block the middle spray arm. Take care when sliding the basket in and out in this position.

- Slide out the upper basket.



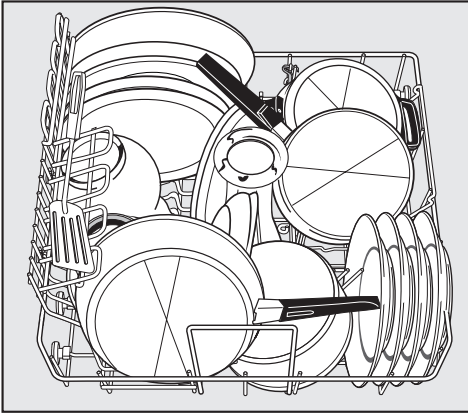
- Pull up the levers at the sides of the upper basket and adjust the basket height.
- Release the levers and the basket will lock in place.

Depending on the setting of the upper basket, a variety of plate dimensions can be accommodated.

**For example:** If the upper basket is in its highest position a plate with a diameter of  $12 \frac{3}{16}$ " (31 cm) can be fit in the lower basket.

# Loading the dishwasher

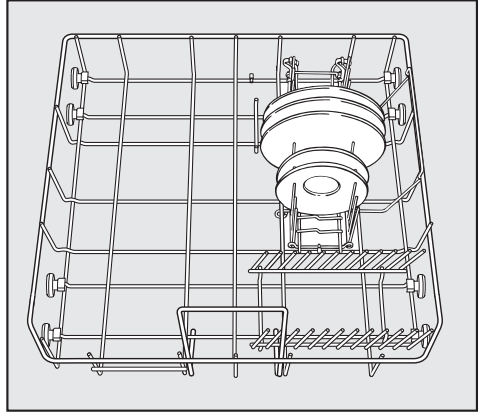
## Lower basket



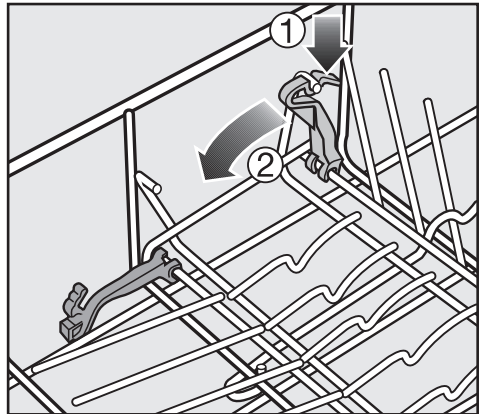
- For larger and heavier items such as plates, serving platters, saucepans, bowls, etc. Small plates and saucers can also be arranged in the lower basket.

## Foldable spikes

The foldable spikes can be used for small plates and saucers.



Two rows of spikes can be folded down, to create more room for larger dishware, e.g. pots, pans and bowls.

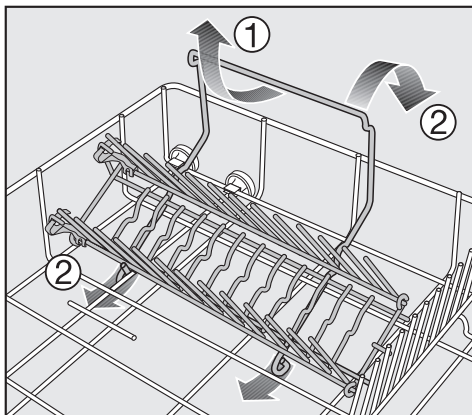


- Press the yellow lever down ① and fold down the spikes ②.

# Loading the dishwasher

## Removable spike insert

The spike insert can be removed in order to make room for larger tableware or to use a different insert.



### Removing the insert ①

- To remove the insert, gently pull the handle upwards.

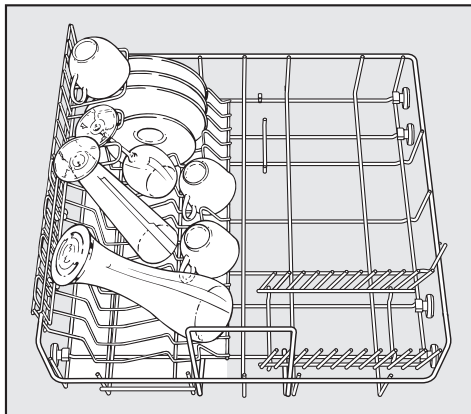
### Replacing the insert ②

- Slide the hitches of the insert under the struts of the lower basket.
- Push down on the handle to snap the insert into position.

## Removable PlateGuard Plus with StemGuard

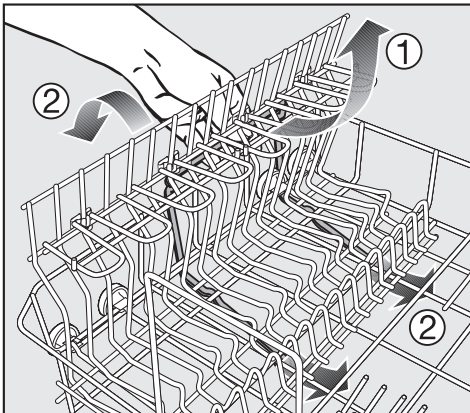
(depending on model)

This insert is ideal for cups, glasses, plates, bowls, pots and pans.



- To arrange tall items the cup rack can be raised.
- The stemguard can be used to hold the stems of glassware or coffee cup handles.

# Loading the dishwasher



Removing the insert ①:

- To remove the insert, gently pull the handle upwards.

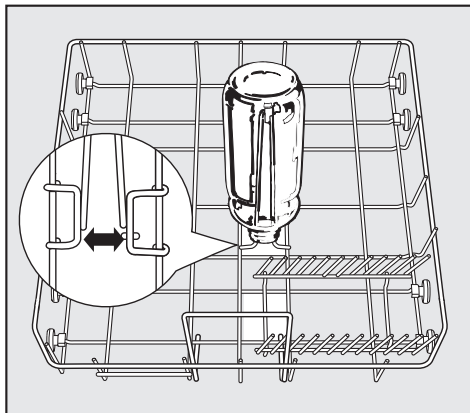
Inserting the insert ②:

- Place the insert into the lower basket.
- Slide the hitches of the insert under the struts of the lower basket.
- Push down on the handle to snap the insert into position.

## Vase / Bottle insert

(depending on model)

The vase / bottle insert can be used to rinse narrow items, e.g. vases, baby bottles, etc.



- Place the insert into the lower basket as shown in the illustration. If placed anywhere else, water will not reach all surfaces. The item will not be properly cleaned.

## Basket accessories

---

Additional inserts for the upper and lower baskets may be purchased from your Miele dealer or Miele. Depending on the model some accessories come standard with the machine.

Glassware insert GGO

To wash long stemmed glassware, attaches to the upper basket

---

Cappuccinatore insert GCEO

To wash the parts of the Cappuccinatore (milk froth mug supplied with the Miele Coffee System), attaches to the upper basket

---

Cappuccinatore insert GCEO

To wash the parts of the Cappuccinatore

---

Multi-function basket GMFO

To wash baby bottles, saucers and small items, attaches to the upper basket

---

Tall glassware insert GGU

To wash a large number of tall glasses, attaches to the lower basket

---


Large diameter plate insert  
GTLU 35

To wash plates with a diameter up to 14" (35 cm), attaches to the lower basket

# Use

---


## Detergent

 Dishwasher detergents contain irritant and corrosive ingredients. Avoid inhaling or swallowing dishwasher detergent. Keep children away from detergent. Fill the detergent dispenser only when you are ready to start the dishwasher.

 Only use detergents formulated for domestic dishwashers.

Use only the recommended amount of detergent. Continued use of too much detergent may cause machine damage.

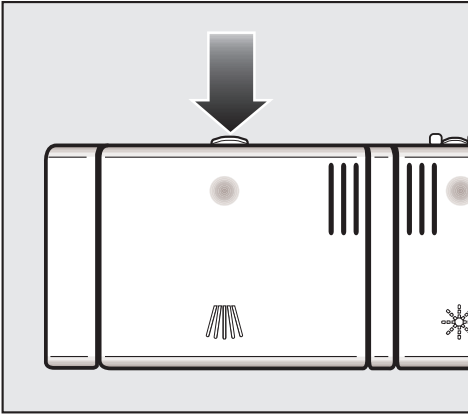
When using the "China & Crystal" program reduce the amount of detergent used to at least  $\frac{1}{2}$  of the normal dosage. Also make certain your china and crystal are dishwasher safe.

You can use powder, gel or tab detergents. Follow the dosage information on the detergent packaging. See "Settings  - Tab" for more information on detergent usage.

Detergent tabs are not recommended for use with the program "Express". The tabs may not dissolve completely.

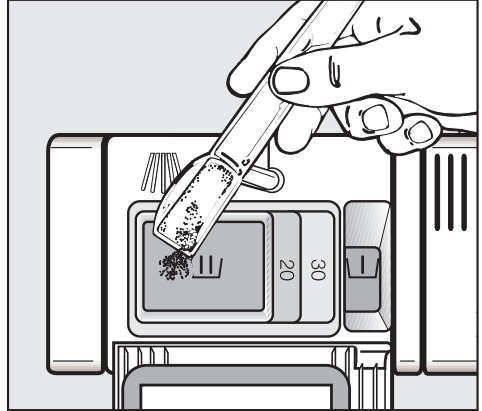
Dishwasher cleaning products are available from Mlele.

## Adding detergent



- To open, press the latch on the detergent dispenser. The flap will spring open.

The flap is always open at the end of a program.



- Add detergent to compartment II and close the flap.
- If a Pre-rinse is desired, and available for your chosen program, add 1 teaspoon (5 ml) of detergent to compartment I.

The horizontal marks in compartment II indicate the levels of approximately 1 ¼ and 2 tablespoons (20 and 30 ml) respectively. Compartment I holds a maximum of 2 teaspoons (10 ml).

# Use

---

## Turning on

- Make sure the spray arms can rotate freely.
- Close the door.
- Open the water supply, if closed.
- Turn the dishwasher on |.

The main menu shows in the display.

If the memory function is selected, the last selected program is displayed. See "Settings  - Memory".



## Selecting a program

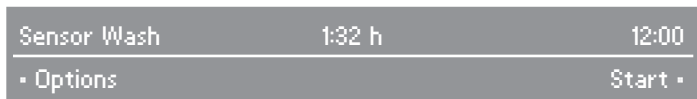
Choose your program according to the type of load and soiling.

The "Program guide" describes the programs and using.

Information about the selected program can be displayed by pressing the **i** button.

- Select the desired program.

The display changes to the program menu.





# Program guide

Program	When to use	Program sequence						
		Pre rinse		Main wash	Interim rinse		Final rinse	Drying
		1	2		1	2		
Normal	For <b>normally soiled</b> dishware with <b>dried on</b> food	x	x	x			x	x
Pots & Pans	For <b>normally soiled pots &amp; pans</b> with <b>dried on food</b> , and heavily soiled dishware, use 120% detergent recommended	x		x	x		x	x
China & Crystal	For temperature sensitive glassware and lightly soiled dishware, <b>use 50% detergent recommended</b> ; sensor controlled GlassCare program	as required		x	as required		x	x
Express	"Quick program" for <b>lightly soiled</b> dishware, e.g. party dishware or to remove salt traces from the wash cabinet after refilling salt, includes sensor controlled GlassCare; not suitable for detergent tabs			x	x		x	x
Rinse & Hold	To rinse dishes when a complete program is not needed.	x						
SaniWash	To <b>sanitize dishware</b> , e.g. baby bottles, cutting boards and preparation dishware			x		x	x	x
Heavy Soil	For <b>heavily soiled</b> dishware with dried starchy food	x		x	x		x	x
Sensor Wash	Sensor controlled program for <b>normally soiled</b> dishware	as required		x	as required		x	x
Economy	For <b>normally soiled</b> dishware, energy saving program with a long soaking time and a low temperature; includes sensor controlled GlassCare			x	x		x	x


# Program guide

Program	When to use	Program sequence						
		Pre-rinse		Main wash	Interim rinse		Final rinse	Drying
		1	2		1	2		
Light Soiling	For <b>lightly soiled</b> dishware, e.g. party dishware			x	x		x	x
Energy Saver	The water intake temperature must be 115°F (45°C) for <b>light to normally soiled</b> dishware		x	x	x		x	x
Plastics	To gently clean dishwasher safe plastics and plastic toys	x		x	x		x	x
Starch/Cheese	For dishware with dried on starchy or cheesy food; 120% detergent recommended	x		x	x		x	x
LG items soiled	For extra large, <b>heat resistant items</b> , e.g. large vases. <b>Remove upper basket</b>	x		x	x		x	x
Glassware - no rinse aid warm	To wash glassware without detergent and rinse aid; rinse cycle with warm water			x	x		x	
Glassware - no rinse aid cold	For a quick cleaning of glassware for direct reuse; use without detergent and rinse aid			x	x		x	

## Usage:

Electric: 0.01 - 1.3 kWh

Water: 1.1 - 6.6 gal (4 - 25 l)

The detergent type can now be set. You can choose between powder, gel or Tabs. See "Settings  - Tab".

## Selecting options

Options can be added to the selected program.

- Select the Options menu.

The display shows the available options for the selected program.

Available options:

### **Turbo:**

- For shortening the program duration.  
To achieve optimum results, energy consumption rates will increase.

### **Pre-rinse:**

- For easily removable soiling

### **Soak:**

- To soak stubborn soiling.  
When using powder detergent, fill approx. 1 teaspoon (5 g) of detergent in detergent compartment I.

### **Extended drying:**

To enhance drying of odd shaped dishware and plastic items.

- Select the desired options.

The selected options are marked with a ✓ check.

- To de-select an option press the respective touch control again.
- Confirm the selected options with OK.

The display changes back to the program menu. The message Options selected will appear in this display.

# Use

---

## Starting a program

- Select Start.

The display shows Close the door. To select another program or to add options, select Back and cancel the program with Cancel.

- Start the program by closing the door.

The optical interface lights to indicate that a program is running.

The program starts and Dishes can be added appears in the display. As long as this reference is shown, tableware can be added to the machine without impairing the cleaning result.

Cancel a program only in the first few minutes. Otherwise important program steps (e.g. the water softening) could be interrupted.

## Time display

Before the program starts, the time display shows the running time of the selected program in hours and minutes. During the running program the remaining time is shown in the time display.

The running time for the same program may vary depending on the intake water temperature, load size and soiling.

When a program is selected for the first time, a time is shown which equals an average program running time with cold water.


Each time a program is run, the electronic adjusts the program running time according to the intake water temperature and the load size.

## At the end of a program

At the end of a program the optical control light flashes slowly with the door closed.

The optical function light goes out one hour after the end of a program.


At the end of a program the display shows Program finished or Drying plus with the door slightly open (if activated).


 The steam being released at the end of the program may be hot. Use caution.

Dishes tend to chip if removed still hot from the dishwasher. If the automatic door opening setting is deactivated (see "Settings - Drying plus") it is recommended to open the door manually to allow tableware to cool much faster.

- Unload the dishwasher.


Unloading the lower basket first will prevent water drops from the upper basket and cutlery tray (depending on model) from dropping onto dishes in the lower basket.

- Push the baskets in.
- Turn the dishwasher off .

The dishwasher continues to use electricity until turned off with the  button.

- Lift the door and push until the catch engages.

The door will then close automatically.

 Do not put your hand inside of the door as it is closing. Danger of injury.


## Preparing your appliance for an extended vacation

If you elect to turn off the water to your home for an extended period of time, please note that this may not be enough to reduce the risk of a leak.

To be completely safe, you must turn off the water supply to each individual appliance. This means under the sink for a dishwasher, at the laundry bib for your washer, etc.

## Interrupting a program

A program is interrupted as soon as the door is opened. If the door is closed, the program will continue from where it was interrupted.

 Open the door with care. The water in the dishwasher is hot. Danger of scalding. Before closing the door again, leave it ajar for approx. 20 secs. This will enable the temperature in the wash cabinet to settle. Close the door firmly until it clicks into place.

## Changing a program

If the detergent flap is already open, do not change the program.

If a program has already started and you wish to change it:

- Open the door.

Sensor Wash	1:32 h	12:00
Main wash		Cancellation ·

- Select Cancellation and confirm with OK.

The program is canceled.

Sensor Wash	12:00
Program finished	Main menu ·

- Select Main menu.

The display changes to the main menu.


- Select the desired program.
- Select Start.
- Start the program by closing the door.

The optical interface lights. The program starts.

### Delay start


The starting time of a program can be delayed between 15 minutes and 24 hours. The start can be delayed in 15-minute-increments.


When using the "Delay Start" function make sure that the detergent compartment is dry before adding detergent, use a cloth if necessary. The detergent might stick together and not get completely rinsed out. Do not use liquid detergent when selecting "Delay Start", the detergent could leak out of the compartment.

 It is recommended to add the detergent and lock the dishwasher door to prevent children from coming in contact with the detergent.

- Open the door.
- Turn the dishwasher on |.

The indicator | lights.

- Select the desired program.
- Select "Delay Start .

The display shows the current time of day and the last selected Start time, The program end time is also shown. The indicator  lights.

- +	Start time	1:00 pm	12:00
- -	End at	2:32 pm	OK -

- Select the desired Start time with the +/- buttons. Holding the button will automatically increase or decrease the time. The end time will be automatically adjusted.


## Additional options

---

- Confirm with OK.

The display changes to the program menu.

- Select Start.
- Close the door.

The program starts automatically at the selected time.  
The indicator  goes out.

### Starting a program before the delay start has elapsed:

A program can be started before the delay start time has elapsed. Proceed as follows:

- Open the door.
- Select Cancel and confirm with OK.

The  indicator lights.

Sensor Wash	12:00
Program finished	Main menu ▸

- Select Main menu.
- Select the desired program.
- Select Start.
- To start the program, close the door.

The optical interface lights to indicate that a program is running.



## The "Settings ▸" menu allows you to adjust standard settings

### Opening the Settings ▸ menu

- Turn the dishwasher on by pressing the | button.

The main menu shows in the display.

If the memory function is selected, the last selected program is displayed. See "Settings ▸ - Memory". Switch to the main menu by pressing "Clear".



- Select Settings ▸.

The display changes into the menu "Settings ▸".



- Select the menu option you would like to change.

Press the **i** button to see more information about the option currently selected.

The selected options in the submenus are marked with a check ✓.

# Settings ▸

---

## Language ▸

The display contents can be shown in different languages.

The displayed language can be changed by the submenu Language ▸.

- Select the desired language and confirm with OK.

The flag behind the word Language ▸ serves as a guide when an unfamiliar language is selected. Select the respective menu with a flag until the submenu Language ▸ appears.

## Time of day

This selection allows the clock to be shown as 24 or 12 hours. The clock can also be set from here.

### Setting the clock format

- Select Format.
- Select the desired clock format and confirm with OK.

### Set the time of day

- Select Set manually.
- Set the hour with +/- and confirm with OK. Set the minutes and confirm.

After confirming the minutes with OK, the display will revert to the previous menu.

- Touch "Clear" to get back into the Settings ▸ menu.

## Detergent

To achieve best results the used detergent can be set on your dishwasher. The selections available are "Powder", "Gel" and "Tab". The program cycle sequence will be adjusted for the selected detergent. Depending on the program the program running time could increase.

### Powder

When using powder detergent, salt and rinse aid must be added for best results. See "Filling the salt container" and "Rinse aid" for more info. The rinse aid refill message is activated.

### Gel

When using gel detergent, salt and rinse aid should be added for best results. See "Filling the salt container" and "Rinse aid" for more info. The rinse aid refill message is activated.

## Tab

If the "Tab" indicator is lit than the program sequence is adapted to suit detergents than contain rinse aid and salt (as well as other components where applicable).

The rinse aid dispenser and indicator light are deactivated.

Follow the instructions of the detergent manufacturer.

The cleaning and drying performance of these detergent products vary.

The detergent selection is set by default to "Powder" detergent.

- Select the desired detergent and confirm with OK.

# Settings ▸

## Drying Plus

The Drying plus function automatically opens the door slightly at the end of a program, in order to improve the drying process.

This function can also be deactivated.

- Select the desired setting and confirm with OK.

## Water hardness

The water hardness level set can be viewed under the submenu "Water hardness".

- Press "OK" to return to the "Settings ▸" menu.

To reset the water hardness see "External water softener".

## External water softener

Set the dishwasher to the hardness of your local water supply (see "Before using for the first time").

If the dishwasher is connected to an external water softening unit which is regenerated with salt, set the dishwasher to the water hardness of the external water softener.

- Select the water hardness setting using ▼, confirm with OK.

°d	gr/gal	Setting in display
1	1	1
2	2	2
3	3	3
4	4	4
5	5	5
6	6	6
7	7	7
8	8	8
9	9	9
10	10	10
11	11	11
12	12	12
13	13	13
14	14	14
<b>15</b>	<b>15</b>	<b>15</b>
16	16	16
17	17	17
18	18	18
19	19	19
20	20	20
21	21	21
22	22	22
23	23	23
24	25	24
25	26	25
26	27	26
27	28	27
28	29	28
29	30	29
30	31	30
31	32	31
32	33	32
33	34	33
34	35	34
35	36	35
36	37	36
37-45	38-46	45
46-60	47-62	60
61-70	63-73	70

## Rinse aid

For best results the rinse aid dosage can be adjusted.

The dosage can be set between 0 and 6 ml.

The dosage set by default to 3 ml of rinse aid per program.

- Use a higher setting if spots appear on dry glassware.
- Use a lower setting if streaking appears on dishes or glasses.
- Use the +/- buttons to selected the desired rinse aid amount and confirm with OK.

## Filter check

This selection allows you to set the number of cycles run before the filter check message shows.

You can select between 30 and 60 cycles.

The filter check message is set by default to 40 cycles.

- Select the desired number of cycles and confirm with OK.

See "Cleaning and Care - Triple filter system" for more information.

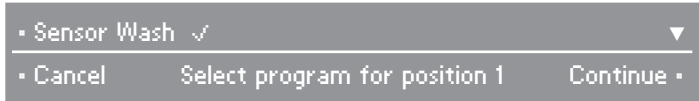
## Adjust Sensor Wash

The "Sensor Wash" program can be adjusted to clean stubborn but normal soiling.

- Select Yes and confirm with OK .

## Reorganize program list

The order of the programs in the program list can be reorganized. The two most frequently used programs can be saved to the first two positions.



- Select with ▼ the program which you would like to save to the first position of the main menu. Confirm the selection with the button next to the program.
- Confirm with Continue.
- Repeat with the second program.

The selected programs are shown summarized. To change a program position, select Back until you reach the respective program position.

- When finished reorganizing the program list, confirm with Finished.

## Save options

Additional options can be selected for some programs, e.g. extended drying. See "Use - Selecting options".

Save options allows you to save the selected options for future use of the program.

This function is turned off by default.

- Select the desired setting and confirm with OK.

## Temperature

The temperature can be displayed in "°C/Celsius" or "°F/Fahrenheit".

The temperatures are shown in °C/Celsius by default.

- Select the desired temperature unit and confirm with OK.

# Settings ▸

---

## Buzzer

When the buzzer is activated, a tone sounds at the end of a program and if a fault occurs.

The buzzer at the end of a program is turned on by default.

### Buzzer at the end of a program

The buzzer at the end of a program sounds five times in intervals with a brief break in between. The buzzer sounds up to one hour if the dishwasher is not turned off.

### Buzzer in case of a fault

The buzzer for a fault sounds continuously. The buzzer sounds up to two minutes if the dishwasher is not turned off or the fault is fixed.

The buzzer for a fault cannot be set to off.

## Buzzer volume

Two buzzer volumes can be selected or the buzzer can be turned off.

Off

The buzzer tone at the end of a program is turned off.

Soft

The tone sounds in a soft volume.

Loud

The tone sounds in a loud volume.

- Select the desired volume or deactivate the buzzer.
- Confirm with OK.



## Button tone

A tone will sound when a button is pressed.

The volume can be set to seventeen different levels. It is set to level 8 by default.

- Select the desired setting and confirm with OK.

## Brightness

The display brightness can be adjusted in 17 levels.

The brightness is set to level 9 by default.

- Select the desired brightness and confirm with OK.

## Memory

The memory function allows you to save the last selected program.

When turning the dishwasher off and on again after a program has finished or opening and closing the door, the last selected program is displayed instead of the main menu.

The function is turned on by default.

- Select the desired option and confirm with OK.

## RemoteVision

(Optional accessory.

To learn more about RemoteVision visit [www.miele.com](http://www.miele.com).)

- Select ▼ to show module state.

If "i module connected and ready" is displayed, no further action is required.

Via the "Options" menu you can:

- Reboot the module
- Reset the factory default settings
- Enter Ad-Hoc mode

Refer to the "RemoteVision" section of this manual or the RemoteVision Installation manual for further instructions.

# Settings ▸

---

## Dealer

Demo modes are only for showrooms.

The dishwasher has three demo programs for showrooms.

The programs "Demo mode" and "Endless demo mode" show the use and function range of the dishwasher.

- Demo mode:  
The program is started by pressing any button. It runs once and must be started again.
- Endless demo mode:  
The program starts as soon as it is activated and runs in a loop until it is turned off.
- Demo wash sound:  
The program activates the pumps to demonstrate the wash sound.
- Trade show mode:  
Once the machine is used for the first time this option is disabled in the display.
- Demo Drying Plus:  
The door opens automatically.

## Turning the demo mode on

- Select the desired option, confirm with OK.
- Confirm the following messages with OK.
- Press any button to start the selected demo mode.
- To cancel the demo mode press any button again and confirm with OK.

## Turning the demo mode off

- Select Off to deactivate the demo mode and confirm with OK.
- Confirm the message Deactivate demo mode? with OK.

## Factory default

All settings can be reset to factory default.

- Confirm the message Reset to factory default? with OK.
- Confirm the information All settings are reset to factory default with OK.

## Leaving the "Settings ▸" menu"

To leave the "Settings ▸" touch the "Clear" control. The main menu shows.

Miele's RemoteVision Wi-Fi technology creates a 'virtual link' between your appliance and our monitoring center. If a fault occurs, Miele's client service center will be notified and contact you, or another trusted individual identified on your call roster, in order to gain access to your appliance to fix the problem.


For information on set-up and installation of the RemoteVision module, see the separate RemoteVision installation manual.

Be sure your wireless system meets the following requirements

- A wireless router that supports an IEEE 802.11b protocol
  - Windows XP® or newer operating system, Mac® OS X 10.3 or higher
  - Cable or DSL modem
  - Microsoft® Internet Explorer 6 or higher, Safari 2.0 or higher, Firefox 1.5 or higher
- \* Please note that each wireless router manufacturer supplies their own device drivers and setup programs. Due to the differences in manufacturers, exact router setup instructions are not included in this manual. Wording and instructions may vary.

# Frequently asked questions

With the aid of the following guide, minor problems can be fixed without a service call.


 Repairs should only be carried out by a qualified and trained person in accordance with local and national safety regulations. Unauthorized repairs could cause personal injury or machine damage.

<b>Technical faults</b>		
<b>Issue</b>	<b>Possible fault</b>	<b>Solution</b>
<b>The program does not start.</b>	The door is not properly closed.	Close the door firmly.
	The machine is not plugged in.	Insert the plug.
	The fuse has tripped.	Reset the circuit breaker. See data plate for minimum amperage.
	The dishwasher is not turned on.	Press <b>I</b> and select a program.
	No program is selected.	Select the desired program.
<b>The dishwasher stops during a program.</b>	The fuse has tripped.	Reset the circuit breaker. See data plate for minimum amperage.
<b>The optic indicator is not visible when a program has started.</b>	The reflector was not properly installed.	Install the reflector properly, see the Installation diagram.

## Frequently asked questions

Issue	Possible fault	Solution
<b>The optical interface flashes fast, the buzzer sounds or the display shows the fault:</b>		
A technical problem occurred. Turn the machine off, close the water faucet and call Technical Service.	There may be a technical fault.	<ul style="list-style-type: none"> <li>– Turn the dishwasher off by touching the ○ control.</li> </ul> <p>After a few seconds:</p> <ul style="list-style-type: none"> <li>– Turn the dishwasher on.</li> <li>– Select the desired program.</li> <li>– Close the door.</li> </ul> <p>If the problem persists, contact Technical Service.</p>
<b>Fault Waterproof F70</b>	The waterproof system has activated.	<ul style="list-style-type: none"> <li>– Turn off the water supply.</li> <li>– Contact Miele Technical Service.</li> </ul>
<b>Automatic door closing fault</b>	The door may be blocked.	<ul style="list-style-type: none"> <li>– Remove the item, if necessary restart the program.</li> <li>– If the message shows again contact Miele Technical Service.</li> </ul>
<b>Automatic door opening fault</b>	Possible technical fault.	<ul style="list-style-type: none"> <li>– Open the door by hand and restart the program.</li> <li>– If the message shows again contact Miele Technical Service.</li> </ul>

# Frequently asked questions


<b>Problems water intake/drain</b>		
<b>Issue</b>	<b>Possible fault</b>	<b>Solution</b>
<b>The optical interface flashes fast, the buzzer sounds and the display shows the fault:</b>		
<b>No water intake</b>	The water supply is closed.	Open the water supply all the way.
<b>Fault water intake FXX</b>		Before fixing the fault: – Turn the dishwasher off  .
	Fault F12/F13: Fault in the water intake.	– Open the water supply all the way. – Check and clean the water intake filter, see "User Maintenance Instructions". – The water pressure at the water connection is lower than 4.35 psi. Consult a plumber.

## Frequently asked questions

Issue	Possible fault	Solution
<p><b>The optical interface flashes fast.</b>  <b>The program "Energy Saver" displays the fault:</b>            Water intake temp. too low</p>	<p>The intake water does not have a minimum temperature of 115°F (45°C). See "Plumbing - Connection to the water supply".</p>	<ul style="list-style-type: none"> <li>– Restart the program.</li> <li>– If the fault is displayed again, use a different program.</li> </ul>
<p><b>The optical interface flashes fast, the buzzer sounds and the display shows the fault:</b>            Drain fault F11</p>	<p>Fault F11:            Fault in the water drain. There might be water in the wash cabinet.</p>	<p>Before fixing the fault:</p> <ul style="list-style-type: none"> <li>– Turn the dishwasher off <input type="radio"/>.</li> <li>– Clean the triple filter.</li> <li>– Clean the drain pump and the non-return valve.</li> </ul> <p>See "User Maintenance Instructions" for more information on the above.</p> <ul style="list-style-type: none"> <li>– Remove any kinks in the drain hose.</li> </ul>

## Frequently asked questions

### General problems with the dishwasher

Issue	Possible fault	Solution
<b>The display turns off.</b>	The dishwasher has gone into "Standby" mode to save energy.	Touch any control. The display turns on again.
<b>The display shows the following:</b> Middle spray arm blocked <b>or</b> Lower spray arm blocked	The middle or lower spray arm is blocked by dishware.	Open the dishwasher door and rearrange items blocking the spray arms.
	The spray arm jets of the middle or lower spray arm are clogged.	– Turn the dishwasher off  . Then: – Clean the spray arms. See "User Maintenance Instructions".



## Frequently asked questions


Issue	Possible fault	Solution
<b>Detergent is left in the dispenser at the end of a program.</b>	The dispenser was damp when detergent was added.	Dry the dispenser before adding detergent.
<b>The detergent lid cannot be closed properly.</b>	Detergent residue is blocking the catch.	Remove the residue.
<b>The door and the interior walls are still wet after a program has finished.</b>	This is not a fault! It is the normal operating mode of the drying system.	The moisture will evaporate after a short time.
<b>Water remains in the wash cabinet at the end of a program.</b>		Before fixing the fault: – Turn the dishwasher off ○.
	The triple filter in the wash cabinet is clogged.	Clean the triple filter. See "User Maintenance Instructions".
	The drain pump or the non-return valve may be blocked.	Clean the drain pump and the non-return valve, see the "User Maintenance Instructions".
	The drain hose is kinked.	Remove any kinks from the drain hose.

## Frequently asked questions

---

<b>Sounds</b>		
<b>Issue</b>	<b>Possible fault</b>	<b>Solution</b>
<b>There is a knocking noise in the wash cabinet.</b>	The spray arm is hitting an item in the basket.	Interrupt the program, rearrange items blocking the spray arms.
<b>There is a rattling noise in the wash cabinet.</b>	Items are not secure in the wash cabinet.	Interrupt the program and rearrange loose pieces.
<b>There is a knocking noise in the water pipes.</b>	This may be caused by the installation or the diameter of the pipe.	This has no effect on the dishwasher. If in doubt contact a plumber.

## Frequently asked questions

<b>Poor cleaning results</b>		
<b>Issue</b>	<b>Possible fault</b>	<b>Solution</b>
<b>The dishes are not clean.</b>	The dishes were not loaded correctly.	See "Loading the dishwasher".
	The program was not powerful enough.	Select a more intensive program, see "Program Guide".
	Stubborn but normal soiling (e.g. coffee, tea).	Use the function "Adjust Sensor Wash". See "Settings  - Adjust Sensor Wash".
	Not enough detergent was dispensed.	Use more detergent, see "Adding detergent".
	The spray arms are blocked.	Turn the spray arm and rearrange the dishes if necessary.
	The triple filter is clogged or not correctly inserted. The spray arm jets might be clogged.	Clean the filter and insert it correctly, see "User Maintenance Instructions".
	The drain pump or the non-return valve is blocked. Wash water will run back into the wash cabinet.	Clean the drain pump and the non-return valve, see maintenance instructions.
<b>Glasses and cutlery show streaks. There is a bluish sheen on the surface of glasses and a film which can be wiped off.</b>	The rinse aid dosage is set too high.	Reduce the dosage, see "Before using for the first time".

## Frequently asked questions

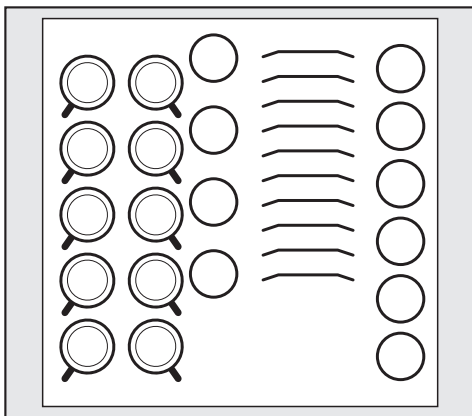
Issue	Possible fault	Solution
<b>Dishes are not dry, glasses and cutlery are spotted.</b>	The rinse aid setting may be too low, or the rinse aid reservoir is empty.	Increase the dosage, refill the reservoir or switch the rinse aid product when refilling, see "Before using for the first time".
	Dishes were taken out too soon.	Leave dishes in longer, see "Use".
	A "Tab" product was used. These products have a low drying effect.	Set the Detergent setting for a normal (powder or gel) detergent and add rinse aid.
	The "Tab" setting is turned on, but a normal (powder or gel) product was used.	Set the Detergent setting to the detergent used, see "Additional options - Tab".
<b>White residue is visible on cutlery and dishes. Clouding occurs on glassware and film can be wiped off.</b>	Not enough rinse aid was used.	Increase the dosage, see "Before using for the first time".
	The salt container is empty.	Refill the salt container, see "Before using for the first time".
	The salt container lid was not correctly screwed on.	Reseat it making sure it screws back on correctly.
	Unsuitable "Tab" products were used.	Change detergent, use normal (powder or gel) detergent.
	The water softener is programmed on too low a setting.	See "Before using for the first time".

## Frequently asked questions

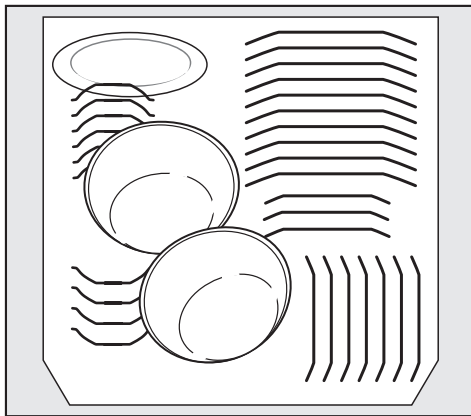
Issue	Possible fault	Solution
<b>Glasses are discolored and the film cannot be wiped off.</b>	Detergent deposits.	Use a different detergent.
<b>Clouding or etching on glasses.</b>	Possible causes may be : excessive rinse aid, incorrect water hardness level set, type and amount of detergent,. Any one or a combination of these faults may be to blame.	See the relevant section of this manual to: <ul style="list-style-type: none"> <li>– adjust the rinse aid dosage,</li> <li>– adjust the water hardness level,</li> <li>– change the type and/or adjust the amount of detergent used,</li> <li>– connect the dishwasher to a cold water supply.</li> </ul>
<b>Glasses are dull and discolored, film cannot be wiped off.</b>	Glasses are not dishwasher safe.	There is no remedy. Only wash dishwasher safe glasses in the dishwasher.
<b>Tea or lipstick stains have not been completely removed.</b>	The wash temperature of the selected program was too low.	Select a program with a higher temperature.
	The detergent has a low bleaching effect.	Use a different detergent.
<b>Plastics are discolored.</b>	Natural dyes e.g. from vegetables may be the cause. Not enough detergent was used to break down natural dyes.	Use more detergent, see "Adding detergent". Discoloration is permanent.
<b>There are rust stains on cutlery.</b>	The affected items are not corrosion resistant.	There is no remedy. Only wash dishwasher safe cutlery in the dishwasher.
	No program was run after refilling salt. Salt residuals got in the wash cycle.	Start the "Express" program (with the "Turbo" option) without a load after refilling salt.
	The salt container lid was not screwed on properly.	Reseat and screw the lid on firmly.

# Comparison Tests

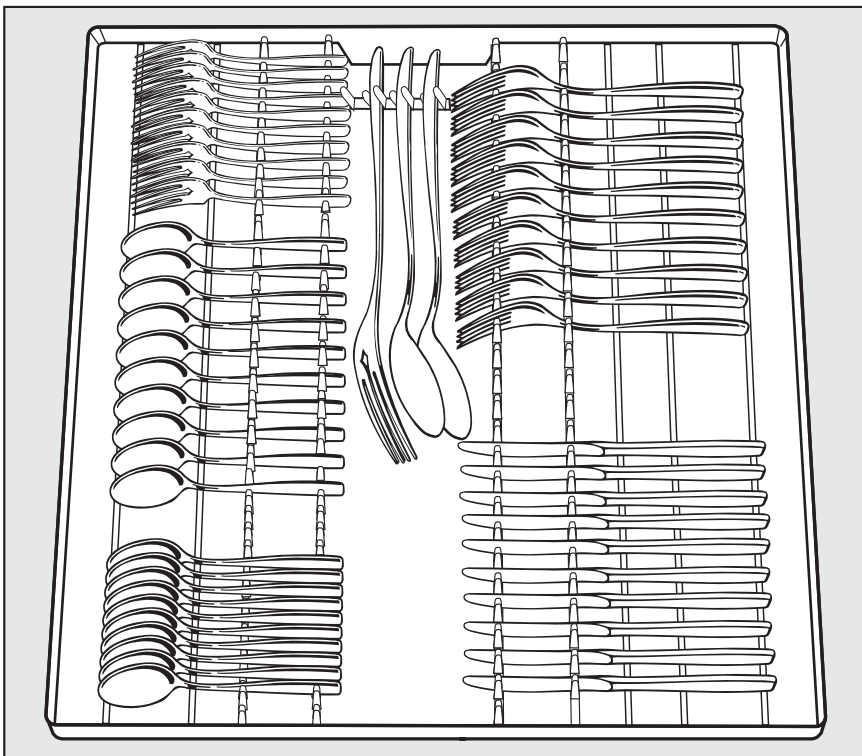
10 place settings, Standard program: **Normal**



Upper basket



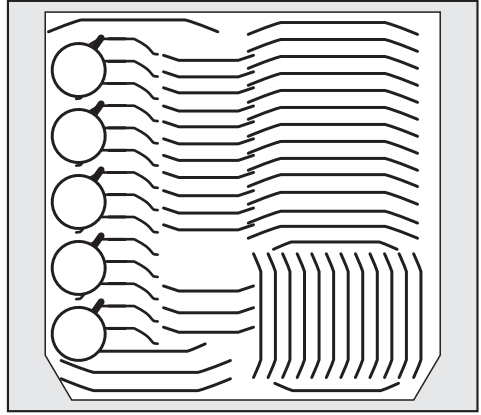
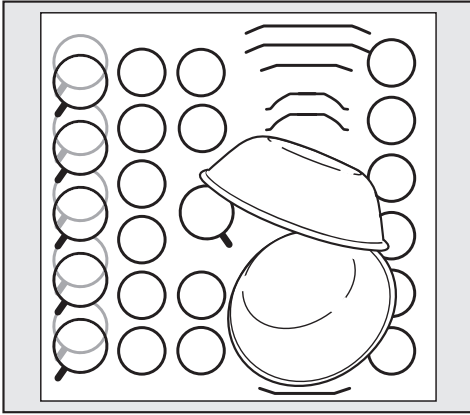
Lower basket



Cutlery tray

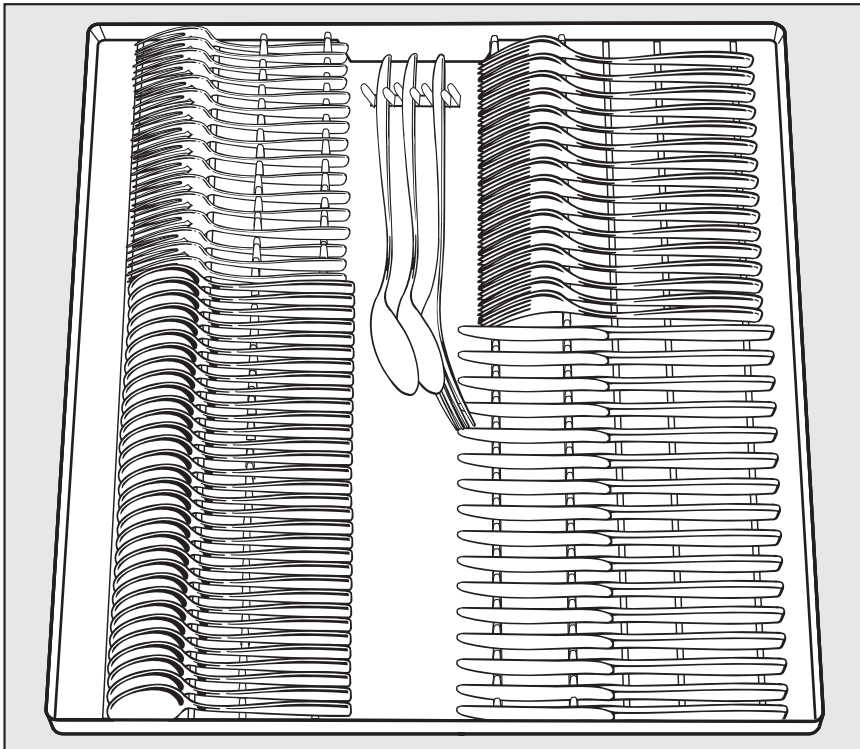
# Comparison Tests

16 place settings, Standard program: **Normal**



Upper basket

Lower basket



Cutlery tray

# After sales service

---

## Repairs

In the event of a fault which you cannot correct yourself please contact the Miele Service Department at the phone number on the back of this booklet.

- Please quote the model type and number of your appliance.

These can be found on the data plate along the right edge of the door.

## PC Update

The Program Correction (PC) allows a technician to update the dishwasher to make use of new technology.

When, for example, technological developments offer advanced modifications to your existing program cycles a service technician will be able to input these into your machine controls via the indicator light marked PC. Miele will provide information when such possibilities become available.

## MieleCare

(USA only)

**MieleCare**, our Extended Service Contract program, gives you the assurance of knowing that your appliance investment is covered by 5 years of worry free ownership.

**MieleCare** is the only Extended Service Contract in the industry that guarantees repairs by a Miele Authorized Service Provider using genuine Miele parts. Only genuine Miele parts installed by factory trained professionals can guarantee the safety, reliability, and longevity of your Miele appliance.

Please note that unless expressly approved in writing by Miele's Service department, Extended Service Contracts offered by other providers for Miele products will not be recognized by Miele. Our goal is to prevent unauthorized (and untrained) service personnel from working on your Miele products, possibly doing further damage to them, you and/or your home.

To learn more about **MieleCare** Extended Service Contracts, please contact your appliance dealer or visit us online at:

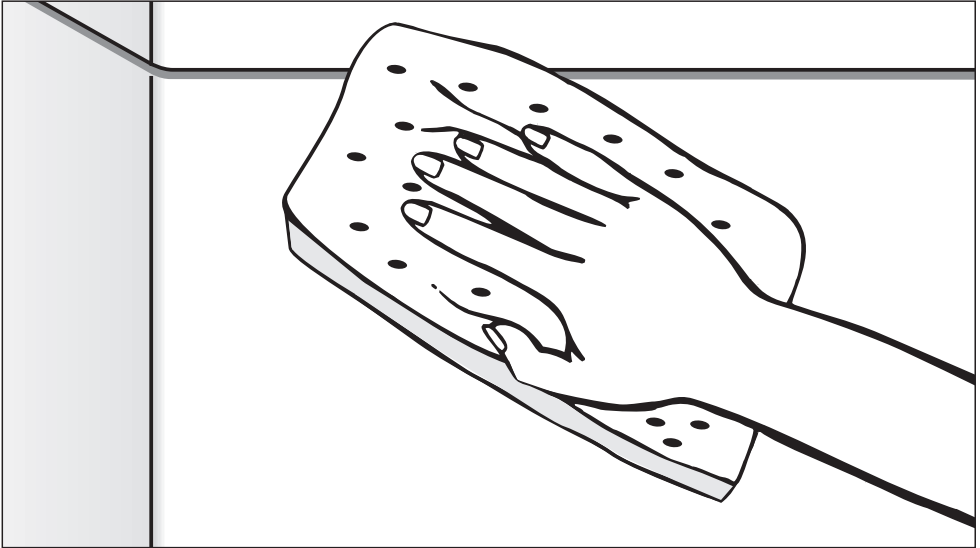
**<http://mieleusa.com/mielecare>**



To transport the dishwasher, e.g. when moving to a new home, note the following:

- Empty the dishwasher.
- Secure any loose parts, e.g. hoses, cables, cutlery baskets.
- Transport the dishwasher in the upright position. If unavoidable it may be transported on its back. Do not transport it on its side or on the door. Residual water in the machine could leak and cause electrical damage.





## User Maintenance Instructions


To prevent accidents  
and appliance damage,  
read these instructions

**before**  
installation or use.

# Cleaning and Care

---

Check and clean your dishwasher regularly. This will help avoid faults and problems.

 Abrasive cleaning agents, all-purpose cleaners, thinner or ammonium cleaners should not be used on the dishwasher. They **will** damage the surface.

## Wash cabinet

Generally, the wash cabinet is self cleaning if the correct amount of detergent is used.

The wash cabinet can be cleaned with a dishwasher cleaner such as "Dis Cleaner" available from your Miele dealer, Miele or online at [www.miele.com](http://www.miele.com).

## Door and the door seal

- Wipe the door seals regularly with a damp cloth to remove food deposits.
- Food residue and spilled liquids should be wiped from the sides of the dishwasher door. These are outside of the wash cabinet and are not cleaned by water from the spray arms.

## Exterior

- Use a conditioner suitable for your kitchen cabinetry.
- Clean wood with a damp cloth and wipe dry.

Clean the exterior with a solution of warm water and liquid soap applied with a soft sponge. Dry with a soft cloth.

Glass cleaners may be used to clean the exterior. However **do not** allow them to sit or "puddle", this can cause damage to the surface.  
**Remove the cleaner promptly.**

## To better maintain your appliance avoid the following:

- cleaners containing soda, ammonia, thinners, or chlorides
- cleaners containing descaling agents or lime removers,
- abrasive cleaners,
- stainless steel cleaners,
- dishwasher soap (powder),
- caustic (oven) cleaners,
- scouring pads, steel wool, hard brushes,
- metal scrapers.


## Indicator reflector

The reflector of the optical interface is located in the steam deflector beneath the counter top.

- Clean as necessary with a damp cloth.

## Control panel


- Clean the control panel as necessary with a damp cloth.

 The appliance front and controls are not scratch proof. Remove spills immediately.

# Cleaning and Care

## Triple filter system


The triple filter system in the base of the wash cabinet prevents food from being redeposited on dishes. It also protects the circulation pump from damage caused by foreign objects (e.g. broken glass, bones, etc.). During normal use, the filter system is self-cleaning.

 The machine must not be used without all the filters in place!

- Check and clean the filter system periodically for any trapped or foreign objects.

The level of soiling and time it takes before the filters need cleaning will vary depending on household.

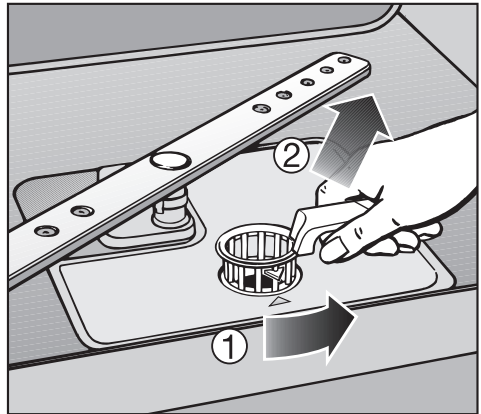
The display shows Filter check after 40 wash cycles (default setting).

The filter check frequency can be set from 30 to 60 cycles. See "Settings  - Filter check".

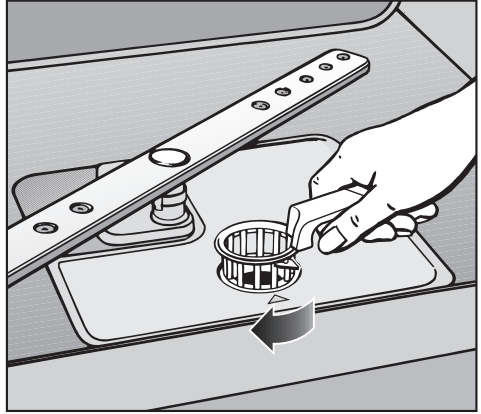
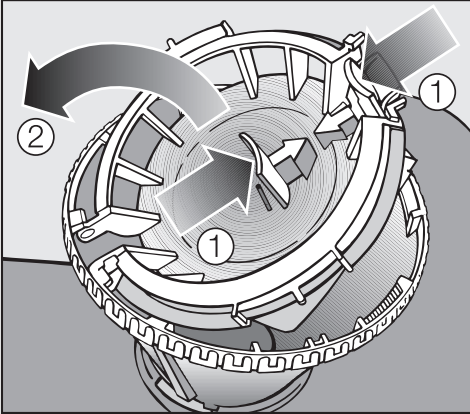
- Check and clean the triple filter.
- Confirm with OK.

The display changes to the program menu.

## Cleaning the triple filter




- Turn off the dishwasher before cleaning.
- Turn the handle counterclockwise to release the triple filter system, ①.
- Remove the triple filter from the machine. Clean any solid particles and rinse under running water. Scrub with a nylon brush if necessary.



To clean the underside of the filter the flap must be opened.

- Push the clips together ① and open the flap ②.
- Rinse under running water.
- Close the flap so that the clip engages.

- Return the filter so it lies flat in the base of the wash cabinet.
- Lock the filter by turning the handle clockwise.

 The triple filter system must be inserted and locked. Large particles could get in the circulation system and cause blockage.

# Cleaning and Care

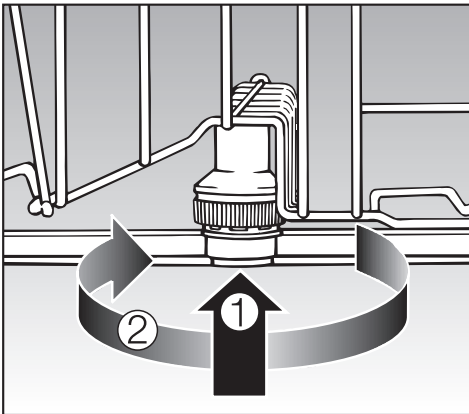
## Cleaning the spray arms

Sometimes particles of food get stuck in the spray arm jets. The spray arms should be inspected and cleaned every 4 - 6 months.

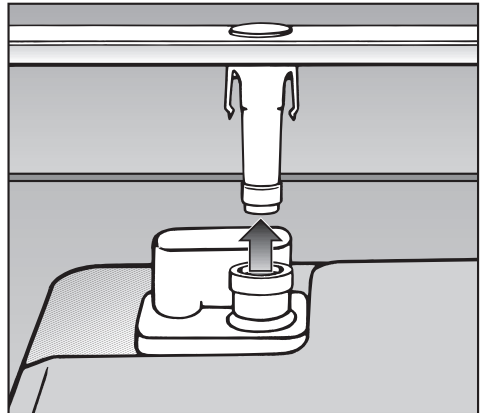
- Turn off the dishwasher before cleaning.

### Removing the spray arms

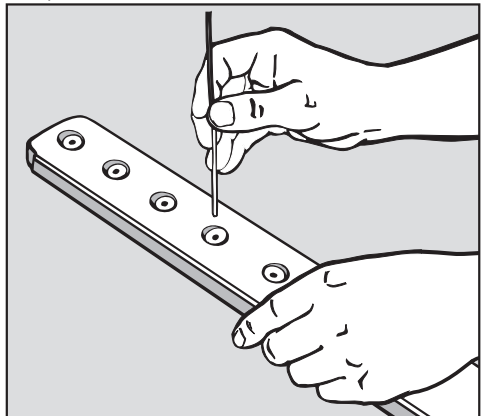
- Remove the cutlery tray (if present).
- Push the **upper** spray arm up to engage the inner ratchet and unscrew the spray arm.



- Lift up the **middle** spray arm, ①, to engage the ratchet and unscrew the spray arm, ②.
- Remove the lower basket.



- Pull the **lower** spray arm firmly upwards to remove.




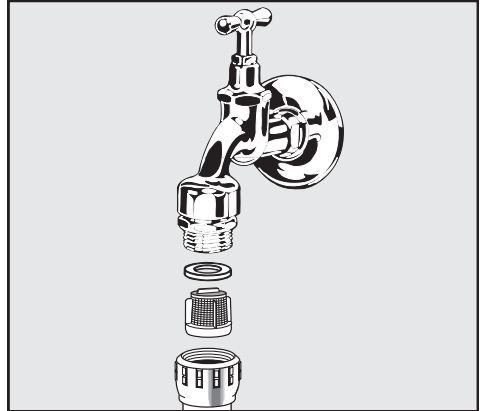
- Use a pointed object such as a toothpick to push food particles into the spray arm jets.
- Rinse thoroughly under running water.
- Return the spray arms and check that they rotate freely.



## Cleaning the water inlet filter

A filter is incorporated into the intake hose attached to the dishwasher's shut off valve. If your water is hard or the pipes contain sediment, this filter may clog and prevent enough water from entering the wash cabinet.

 The plastic housing of the water connection contains electrical wiring.  
Do not cut the intake hose or submerge it in liquid.



## Installing an in-line water filter

If your water contains a large number of insoluble substances, a filter between the water valve and the intake hose connection is recommended. These filters can be purchased from Miele.

## Cleaning the filter

- Turn off the dishwasher and pull the plug.
- Turn off the water supply.
- Unscrew the intake hose.

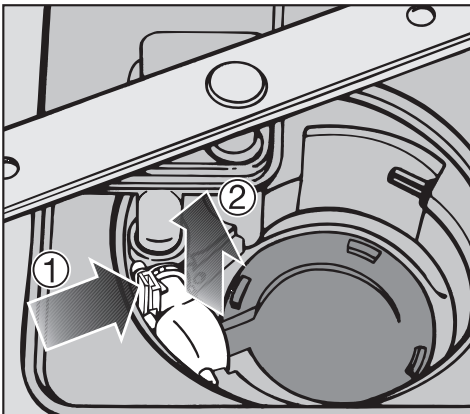
- Carefully remove the rubber seal.
- Remove the filter using needle nose pliers and rinse it under running water.
- Reinsert the filter and seal. Make sure they are seated correctly.
- Screw the intake hose back on the water valve, checking that it is not cross-threaded.
- Slowly turn on the water supply and test for leaks.

## Cleaning and Care

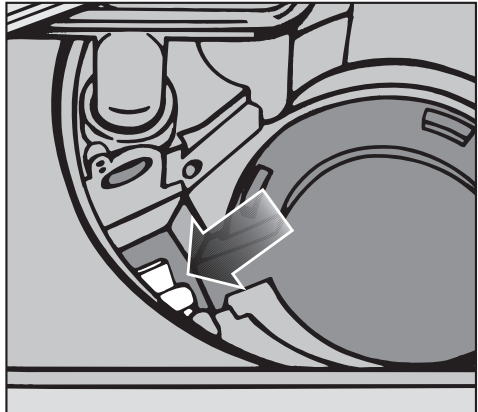
### Cleaning the drain pump and non-return valve

If the dishwasher is not completely drained at the end of a program, the drain pump or non-return valve may be blocked.

- Turn off the dishwasher and pull the plug.
- Remove the triple filter (see "Triple filter system").
- Use a cup or bowl to scoop water out of the wash cabinet.




- Tilt the locking clamp to the side ①.
- Pull out the non-return valve ② and rinse it under running water.
- Remove all foreign objects from the non-return valve.



The drain pump is beneath the non-return valve (see arrow).

- Remove all foreign objects from the drain pump (glass or bone splinters).
- Before returning the non-return valve, check that the drain pump is not blocked. Spin the propeller several times in both directions to check for obstructions.
- Carefully reinsert the non-return valve and secure it with the locking clamp.

 Make sure the locking clamp clicks into place!




## Installation Instructions

Please refer to the Installation Diagram supplied with these instructions.

To comply with IEC sound testing protocols, please contact Miele for additional instructions.

Information is subject to change. Please refer to our website to obtain the most current product specification, technical & warranty information.


# Electrical connection

 Installation, repairs and other work by unqualified persons could be dangerous.

Check that the voltage, frequency and fuse rating shown on the data plate match the household mains supply.

The power outlet must be accessible after installation. Do not use an extension cord to connect the dishwasher to the mains. Danger of overheating! See data plate on the right side of the door.

A damaged power cord must only be replaced with a genuine Miele cord by a Miele service technician.

 **Improper connection of the equipment grounding conductor can result in electric shock. Do not modify the plug provided with the appliance; if it will not fit the outlet, have a proper outlet installed by a qualified electrician. If there is any question concerning the proper electrical connection or grounding of this appliance to the power supply, please consult a licensed electrician or call Miele's Technical Service Department:**

 1-800-999-1360

 1-800-565-6435

## GROUNDING INSTRUCTIONS

**THIS APPLIANCE MUST BE GROUNDED.**

In the event of a malfunction or breakdown, grounding will reduce the risk of electric shock by providing a path of least resistance for the electrical current. This appliance is equipped with a cord having an equipment grounding conductor and a grounding plug. The plug must be plugged into an appropriate outlet that is installed and grounded in accordance with all local codes and ordinances.

## Specifications


The dishwasher comes equipped with a 4 ft (1.2 m) power cord with a molded plug for connection to 120 V, 60 Hz, 15 A grounded receptacle.

# Plumbing

## Waterproof system


All Miele dishwashers have a safety valve located on the incoming water line and a sealed underside with a water sensor. If a fault occurs, the water intake is stopped and the drain pump is activated.

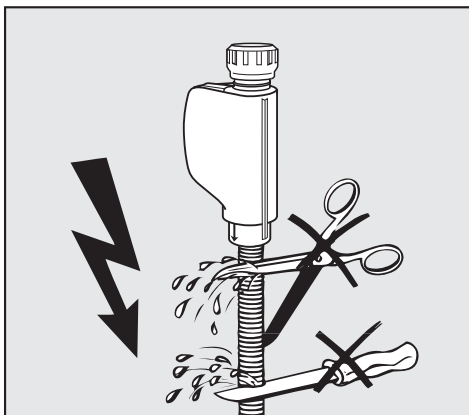
## Connection to the water supply

 Do not drink water from the dishwasher!

- The dishwasher can heat its own water to the temperature required by the wash program. This allows for connection of the machine to either a hot or cold water source. For lowest energy consumption connect the dishwasher to a cold water source. For fastest possible wash times, with slightly higher energy consumption, connect the dishwasher to a hot water source. All programs use hot water in the rinse cycles.
- To use the "Energy Saver" program, a hot water connection of minimum 115°F / 45°C and maximum 140°F / 60°C (water intake temperature) is necessary. The higher the water intake temperature, the better the cleaning and drying results.
- The inlet hose is approximately 5 ft. (1.5m) long.
- A 5 ft. (1.5m) drain extension is available from Miele.

- The water inlet hose comes equipped with a 3/4" female hose thread connector. This can be directly connected to a water supply with 3/4" MHT (male hose thread ends).
- Water pressure: Must be between 4.5 - 145 psi (0.3 - 10 bar). If the water pressure is lower, the display shows Water intake see "Frequently asked questions". With high water intake pressure, a reducing valve must be used.

 To prevent damage to the dishwasher, it must only be connected to a fully vented drainage system.




Do not cut the intake hose. It contains electrical wiring. If the hose is cut, the dishwasher will not work. There will be a water leak and you could be injured. If the hose is too long, coil it neatly and place it behind the machine.

# Plumbing

## Drainage

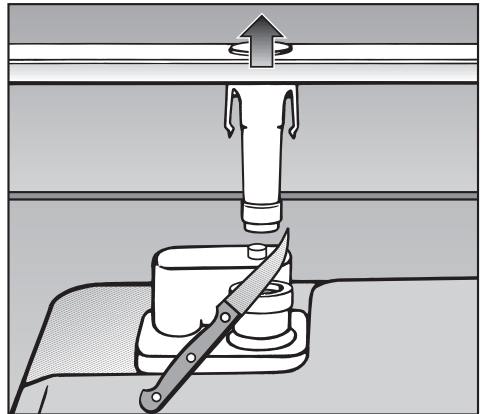
- The machine comes equipped with a built-in non-return valve on the discharge side to prevent waste water from flowing back into the dishwasher.
- The dishwasher is equipped with a 5 ft (1.5 m) flexible drain hose with an internal diameter of 7/8" (22 mm).
- Drain hose extensions and adapters can be ordered from Miele. The maximum drain hose length is 13 ft. (4 m), max. drain height: 39" (1 m).
- If the hose is to be directly fitted to the drainage outlet on site, use the supplied hose clip (see assembly plan).
- The hose can be installed to the left or right side.
- The existing drain pipe for the drain hose is designed for various hose diameters. The drain pipe must be shortened if the drain pipe extends too far into the drain hose. The drain hose could get clogged.
- The drain hose must not be shortened.

 Make sure the hose is installed without kinking, pressure or being pulled.

## Venting the drainage system

If the dishwasher drain hose is connected to a floor drain or to a drain pipe that is less than 8" (20 cm) above the floor, the drain must be vented. Otherwise the water inside the dishwasher may siphon out during the wash program.

- Open the dishwasher door and remove the lower basket.
- Pull the lower spray arm firmly upwards to remove.



- Cut off the vent cap located at the right rear of the triple filter system, as illustrated.



**Please have the model and serial number of your appliance available before contacting Technical Service.**

---



## **U.S.A. Miele, Inc.**

### **National Headquarters**

9 Independence Way  
Princeton, NJ 08540  
Phone: 800-843-7231  
609-419-9898  
Fax: 609-419-4298  
[www.mieleusa.com](http://www.mieleusa.com)

### **Technical Service & Support Nationwide**

Phone: 800-999-1360  
Fax: 888-586-8056

[TechnicalService@mieleusa.com](mailto:TechnicalService@mieleusa.com)

## **Canada Miele Limited**

### **Headquarters and Showroom**

161 Four Valley Drive  
Vaughan, ON L4K 4V8  
Phone: 800-643-5381  
905-660-9936  
Fax: 905-532-2290  
[www.miele.ca](http://www.miele.ca)  
[professional@miele.ca](mailto:professional@miele.ca)  
(commercial enquiries)

### **MieleCare National Service**

Phone: 800-565-6435  
905-532-2272  
Fax: 905-532-2292  
[customercare@miele.ca](mailto:customercare@miele.ca)  
(general and technical enquiries)

## **Germany**

Miele & Cie. KG  
Carl-Miele-Straße 29  
33332 Gütersloh

---

Alteration rights reserved / 1711  
G 2872

M.-Nr. 07 724 170 / 05



INFORMATION IS SUBJECT TO CHANGE. PLEASE REFER TO OUR WEBSITE TO OBTAIN THE MOST CURRENT PRODUCT SPECIFICATIONS, TECHNICAL & WARRANTY INFORMATION.



## Free Manuals Download Website

<http://myh66.com>

<http://usermanuals.us>

<http://www.somanuals.com>

<http://www.4manuals.cc>

<http://www.manual-lib.com>

<http://www.404manual.com>

<http://www.luxmanual.com>

<http://aubethermostatmanual.com>

Golf course search by state

<http://golfingnear.com>

Email search by domain

<http://emailbydomain.com>

Auto manuals search

<http://auto.somanuals.com>

TV manuals search

<http://tv.somanuals.com>