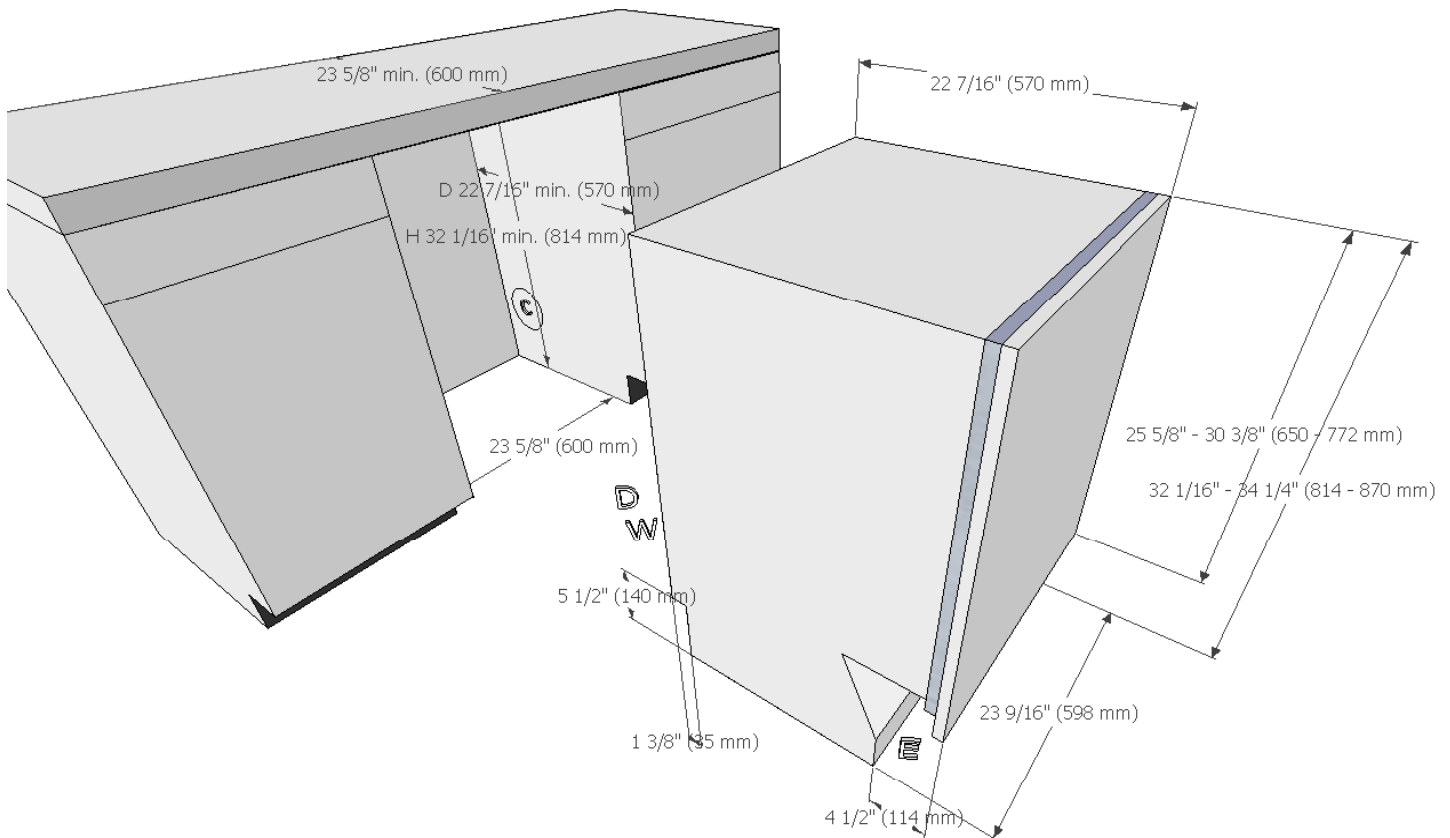


Product and Cut-out Dimensions

Page 1 of 3

Classic G 4270 SCVi Fully Integrated Model Dishwasher ADA Compliant Series Dishwasher



Location Codes

C - Cutout 1 3/8" x 1 3/4" (34 mm x 35 mm) for water, drain and electric pass-through.

Adjust according to water and drain location.

D - 5 foot (1.5 meter) flexible drain hose connects lower center rear.

E - 5 foot (1.5 meter)– 120 Volt – 15 Amp 3-wire molded plug power supply connects front terminal or can be hardwired.

W - 5 foot flexible water intake hose with a 3/8" compression fitting nut connects lower center rear.

Notes

All installations must be done in accordance with local codes.

Drawing is not to scale

Specification Sheets OJS 11012011

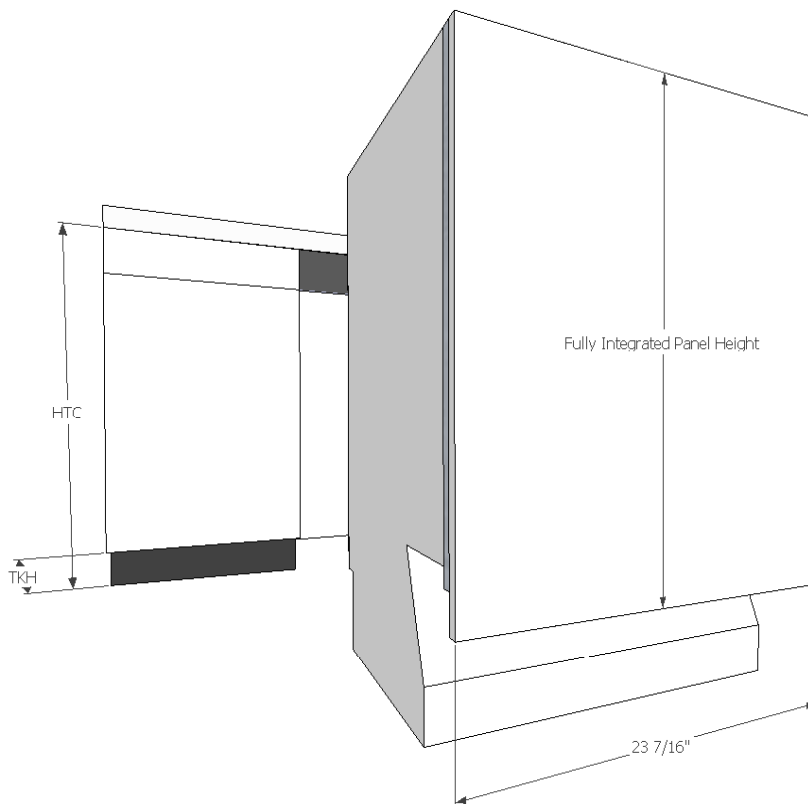
Product and Cut-out Dimensions

Page 2 of 3

Classic G 4270 SCVi Fully Integrated Model Dishwasher ADA Compliant Series Dishwasher

Custom Panel Installations

Some Miele dishwashers do not come equipped with a front panel. These dishwashers are designed to accept a custom door panel supplied by the cabinet maker. Miele has a unique panel integration system which allows the dishwasher to align with the surrounding cabinets.



Width: 23 7/16" (598 mm) in all cases

Thickness: 3/4" (19 mm) in all cases

Height: Determined using the following calculation:

$$\text{Panel Height} = \text{HTC} - \text{TKH}$$

HTC = Height to the underside of countertop

TKH = Toe kick height

Note: Control panel is along the top edge of the unit. It is not visible when the unit is closed. A handle **MUST** be located on the front panel in order to open the unit.

Maximum panel height: 30 3/8" (772 mm)

Minimum panel height: 25 5/8" (650 mm)

Maximum panel weight: 21 Pounds (9.5 kg)

GFVI Installations

Miele offers pre-fabricated stainless steel panels for all fully integrated units. These panels are designed for various toe-kick heights and offer a choice of handle options.

Product and Cut-out Dimensions

Classic G 4270 SCVi Fully Integrated Model Dishwasher
 ADA Compliant Series Dishwasher

		Height to underside of countertop								
		32 1/4	32 1/2	32 3/4	33	33 1/4	33 1/2	33 3/4	34	34 1/4
Toe Kick Height	2	Blue	Blue							
	2 1/2	Blue	Blue	Blue	Blue	Blue				
	3	Blue	Blue	Blue	Blue	Blue	Blue	Blue	Blue	
	3 1/2	Blue	Blue	Blue	Blue	Blue	Blue	Blue	Blue	Blue
	4	Blue	Blue	Blue	Blue	Blue	Blue	Blue	Blue	Blue
	4 1/2	Blue	Blue	Blue	Blue	Blue	Blue	Blue	Blue	Blue
	5	Blue	Blue	Blue	Blue	Blue	Blue	Blue	Blue	Blue
	5 1/2	Blue	Blue	Blue	Blue	Blue	Blue	Blue	Blue	Blue
	6	Blue	Blue	Blue	Blue	Blue	Blue	Blue	Blue	Blue
	6 1/2	Blue	Blue	Blue	Blue	Blue	Blue	Blue	Blue	Blue
	7			Blue	Blue	Blue	Blue	Blue	Blue	Blue
	7 1/2						Blue	Blue	Blue	Blue
	8									Blue
	8 1/2									
				Acceptable combinations						

Free Manuals Download Website

<http://myh66.com>

<http://usermanuals.us>

<http://www.somanuals.com>

<http://www.4manuals.cc>

<http://www.manual-lib.com>

<http://www.404manual.com>

<http://www.luxmanual.com>

<http://aubethermostatmanual.com>

Golf course search by state

<http://golfingnear.com>

Email search by domain

<http://emailbydomain.com>

Auto manuals search

<http://auto.somanuals.com>

TV manuals search

<http://tv.somanuals.com>