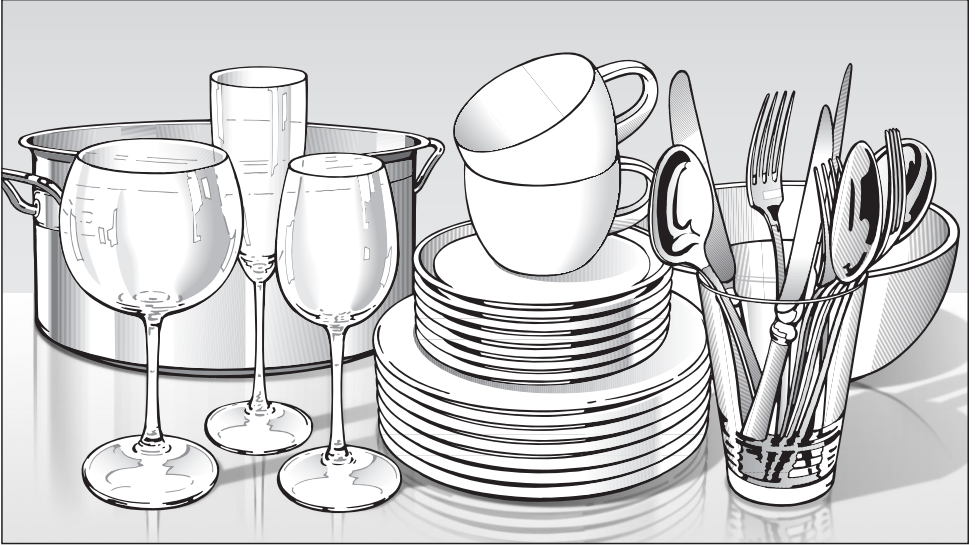


## Operating Instructions



## Dishwasher G 5170 G 5175

To prevent accidents  
and appliance damage  
read these instructions

**before**

installation or use.

en - US, CA

M.-Nr. 09 016 320

# Contents

---

<b>IMPORTANT SAFETY INSTRUCTIONS</b> . . . . .	4
<b>Guide to the dishwasher</b> . . . . .	7
Control panel . . . . .	8
<b>Caring for the environment</b> . . . . .	9
<b>Before using for the first time</b> . . . . .	10
To open the door . . . . .	10
To close the door . . . . .	10
Water softener . . . . .	11
Filling the salt container . . . . .	14
Refill salt message . . . . .	15
Rinse aid . . . . .	16
Adding rinse aid . . . . .	16
Rinse aid indicator . . . . .	16
Adjusting the dosage . . . . .	17
<b>Loading the dishwasher</b> . . . . .	18
Items not recommended for dishwashing . . . . .	19
Typical load for 10 place settings . . . . .	20
Typical load for 16 place settings . . . . .	21
Upper basket . . . . .	22
Lower basket . . . . .	24
<b>Optional accessories</b> . . . . .	29
<b>Use</b> . . . . .	30
Detergent . . . . .	30
Adding detergent . . . . .	31
Turning on . . . . .	32
Selecting a program . . . . .	32
Starting a program . . . . .	32
Standby . . . . .	32
At the end of a program . . . . .	34
Turning off . . . . .	34
Unloading the dishwasher . . . . .	34
Interrupting a program . . . . .	35
Changing a program . . . . .	35
<b>Additional options</b> . . . . .	36
Buzzer . . . . .	36
Factory default . . . . .	37

<b>Frequently Asked Questions</b> . . . . .	38
Technical faults . . . . .	38
Faults in the water intake/water drain . . . . .	39
General problems with the dishwasher . . . . .	40
Sounds . . . . .	41
Poor cleaning results . . . . .	42
<b>After sales service</b> . . . . .	45
<b>Transport</b> . . . . .	46
<b>User Maintenance Instructions</b> . . . . .	47
<b>Cleaning and Care</b> . . . . .	48
Triple filter system . . . . .	49
Cleaning the drain pump and non-return valve . . . . .	52
<b>Installation instructions</b> . . . . .	53
<b>Help to protect the environment</b> . . . . .	54
<b>Electrical connection</b> . . . . .	55
<b>Plumbing</b> . . . . .	57
Connection to the water supply . . . . .	57
Drainage . . . . .	58

# IMPORTANT SAFETY INSTRUCTIONS

## WARNING –

**When using your dishwasher, follow basic precautions, including the following:**

Read all instructions before installation or use of the dishwasher to prevent injury and machine damage.

Use the dishwasher only for its intended purpose. This appliance is intended for residential use only.

Keep these operating instructions in a safe place and pass them on to any future user.

## Correct usage

▶ The dishwasher is not designed for commercial use. It is intended for use in domestic households and in similar working and residential environments such as, shops, offices and showrooms or guest houses.

▶ The dishwasher is not intended for outdoor use.

▶ It must only be used as a domestic appliance as specified in these operating instructions, for cleaning domestic crockery and cutlery. Any other usage is not supported by the manufacturer and could be dangerous.

▶ Persons who lack physical, sensory or mental abilities, or experience with the appliance should not use the dishwasher without supervision or instruction by a responsible person.

## Electrical Safety

▶ Before installation, make sure that the voltage and frequency listed on the data plate correspond with the household electrical supply. This data must correspond to prevent injury and machine damage. Consult a qualified electrician if in doubt.

▶ Before installation or service, disconnect the power supply to the work area by unplugging the unit, "tripping" the circuit breaker or removing the fuse.

▶ Do not use an extension cord to connect this appliance to electricity. Extension cords do not guarantee the required safety of the appliance (e.g. danger of overheating).


▶ Be certain your appliance is properly installed and grounded by a qualified technician. To guarantee the electrical safety of this appliance continuity must exist between the appliance and an effective grounding system. It is imperative that this basic safety requirement be met. If there is any doubt, have the electrical system of the house checked by a qualified electrician.

▶ If the supplied power cord is damaged it must only be replaced by a Miele Service technician with a genuine Miele power cord.

▶ The outlet must be accessible at all times after installation to disconnect the dishwasher.

# IMPORTANT SAFETY INSTRUCTIONS

## Installation

- ▶ The dishwasher must be installed and connected in accordance with the installation instructions.
- ▶ Installation and repair work should be performed by a Miele authorized service technician. Work by unqualified persons could be dangerous and may void the warranty.
- ▶ Do not install or use a damaged dishwasher. A damaged appliance is dangerous. Unplug the machine and contact Miele Technical Service Department.
- ▶ Ensure that any plastic wrappings, bags, etc. are disposed of safely and kept out of the reach of children. Danger of suffocation!
- ▶ This appliance must not be used in a non-stationary location (e.g. on a boat).
- ▶  **WARNING - Fire hazard!** Do not cover or crush the plug of the appliance. Ensure that the cabinet opening for the dishwasher provides ample space for the plug and cord. Installing the dishwasher in a tight space may crimp the power cord or put pressure on the plug which could cause overheating.
- ▶ This dishwasher should only be installed under a continuous counter top secured to adjacent cabinetry.
- ▶ Do not install this dishwasher beneath a cooking surface, oven or any appliance that radiates heat. High temperatures from these units may damage the dishwasher.
- ▶ A toe-kick must be used with the dishwasher. If the supplied toe-kick is not used, a cabinet matching toe-kick must be installed.
- ▶ Do not install the dishwasher in an area where it will be exposed to temperatures below freezing.
- ▶ Do not cut the intake hose or submerge it in liquid. This hose contains electrical components that could cause injury or property damage if cut or submerged.
- ▶ Only power up the dishwasher when all installation and plumbing work is complete.

# IMPORTANT SAFETY INSTRUCTIONS

---

## Use

- ▶ To reduce the risk of injury, do not allow children to play in, on or near the dishwasher. It is possible for small fingers may be pinched in the door.
- ▶ Only use the dishwasher if all panels are properly in place.
- ▶ Do not tamper with the controls.
- ▶ Do not sit or stand on the door or baskets of the dishwasher. Close the door when not in use.
- ▶ Under certain conditions, hydrogen gas may be produced in a hot water system that has not been used for two weeks or more. **HYDROGEN GAS IS EXPLOSIVE**. If the hot water system has not been used for such a period, turn on all hot water faucets and let water flow from each for several minutes before using the dishwasher. This will release any accumulated hydrogen gas. Do not smoke or use an open flame during this time.
- ▶ Be sure that all items placed in the dishwasher are "dishwasher safe". For items not labeled, check the manufacturer's recommendations.
- ▶ When loading tableware, place sharp items away from the door to prevent damage to the seal. Load sharp items pointing downwards to prevent injuries.
- ▶ Only use detergents and rinse aids recommended for residential dishwashers. Keep all detergents and rinse aids out of the reach of children.

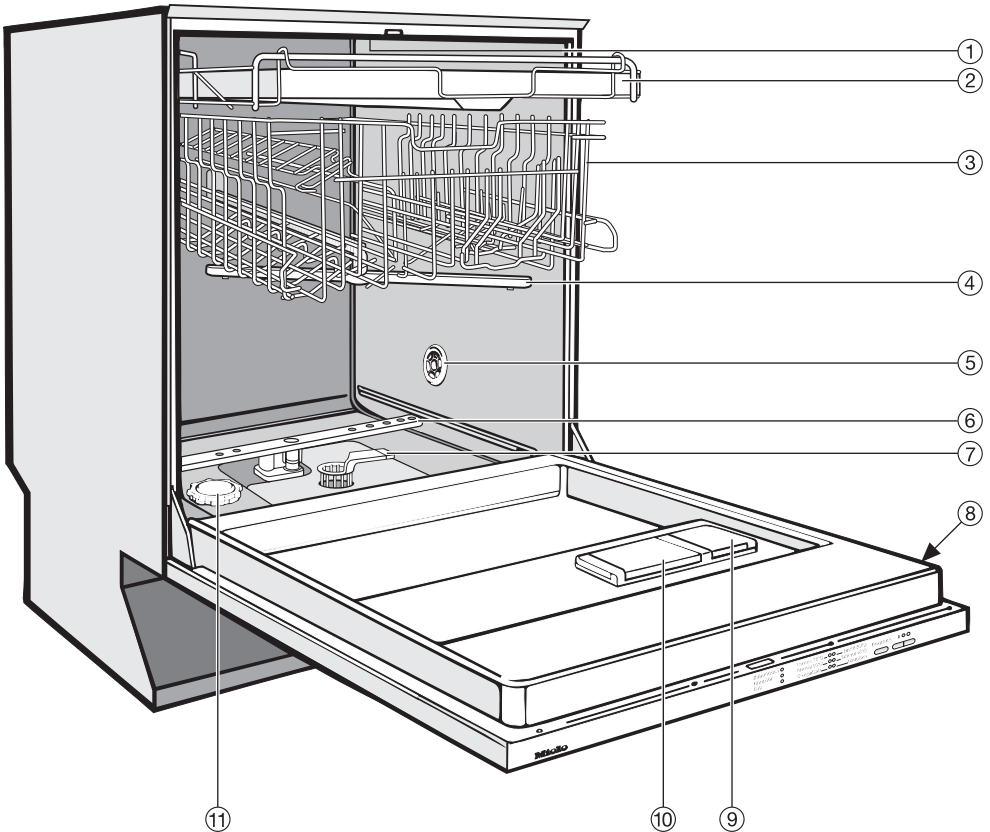
- ▶ Do not inhale or swallow detergents. Dishwasher detergents contain irritant and corrosive ingredients. They can cause burning in the mouth and throat if swallowed, or inhibit breathing. Consult a doctor immediately if detergent has been swallowed or inhaled.
- ▶ Do not drink water from the dishwasher! Harmful residues could be present.
- ▶ Do not fill the rinse aid reservoir or salt container with detergent. It will destroy the rinse aid compartment and water softener.
- ▶ Dishes can be very hot at the end of a program. Allow the dishes to cool until they are cool enough to handle before unloading them.
- ▶ The water supply must be turned off when the appliance is not used for a longer period of time (e.g. during vacations).

## Disposal of an appliance

- ▶ If the appliance is removed from its installation site and will not be used, remove the doorlock to the wash cabinet to prevent children from locking themselves in the machine.

## SAVE THESE INSTRUCTIONS

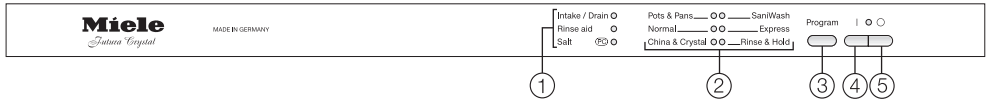
# Guide to the dishwasher



- ① Upper spray arm (not visible)
- ② Cutlery tray (depending on model)
- ③ Upper basket
- ④ Middle spray arm
- ⑤ Air inlet for drying (depending on model)
- ⑥ Lower spray arm
- ⑦ Triple filter system
- ⑧ Data plate
- ⑨ Rinse aid reservoir
- ⑩ Dual compartment detergent dispenser
- ⑪ Salt container

# Guide to the dishwasher

## Control panel



- ① Check / Refill indicators
- ② Program selection
- ③ Program selector button
- ④ On I button with indicator light
- ⑤ Off O button

This operating instruction manual describes several dishwasher models with different indicated settings.

The different dishwasher models are named :

**Standard** = 32 <sup>1</sup>/<sub>16</sub>" (81.5 cm) high dishwashers

**XXL** = 33 <sup>11</sup>/<sub>16</sub>" (85.5 cm) high dishwashers.



### Energy saving washing

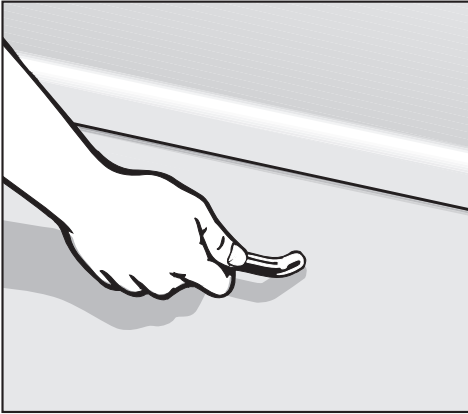
This dishwasher is exceptionally economical in the use of water and electricity. For best results follow these tips:

- For lowest energy consumption you may connect the dishwasher to a cold water source.
- For fastest possible wash times, with slightly higher energy consumption, connect the dishwasher to a hot water source.
- Make full use of the baskets without overloading for the most economical washing.
- Use the correct amount of detergent and rinse aid. Detergent dosage is dependent upon the amount of soiling and type of dishware being washed. See the "Program Guide" for more information.
- When using powder or gel detergent, reduce the amount to  $\frac{2}{3}$  of the normal amount when washing a small load.
- Choose a program that best suits the degree of soiling and the type of dishes being washed.

## Before using for the first time

---

### To open the door



- Pull the handle to open the door.

If the door is opened during operation, the dishwasher will stop running. Once the door is closed the program will continue.

### To close the door

- Push the baskets in.
- Lift the door and push until it clicks into position.

## Before using for the first time

### Water softener

To achieve good cleaning results, the dishwasher needs soft water (water that is low in minerals). Hard water results in calcium deposits on dishware and in the dishwasher.

If your tap water hardness is above 4 °d (4 gr/gal) the water should be softened. The built-in water softener is designed for this purpose. The water softener is suitable for a water hardness up to 70 °d (73 gr/gal).

- The water softener requires dishwasher salt.  
If using "Tab" products which include salt, you should still add salt to the machine to achieve optimal cleaning results.
- The dishwasher must be correctly programmed to match the hardness of your water.
- Your local water authority will be able to advise you of the exact water hardness level in your area.

If the hardness of your local supply is constantly lower than 4 °d (4 gr/gal), you do **not need to add water softener salt**. However the water hardness level must still be programmed.

In areas where the water hardness fluctuates (e.g. 37-50 °d [39-52 gr/gal]) always program the machine to the higher value (in this example 50 °d [52 gr/gal]).

If there is a fault, it will help the service technician to know the hardness of your local water supply.

Please note your water hardness below:


\_\_\_\_\_ °d (gr/gal)



The water hardness was programmed at 1-4 °d (1-4 gr/gal) by factory default.

# Before using for the first time

## Programming the water softener

During programming, other indicator lights flash and light up each time you press a button. Only the indicator lights in the following operating steps are important for the programming.

To exit the programming mode at any time and start over again, turn the dishwasher off with the  button.

- Press the  button to turn the dishwasher off.
- Press and hold the "Program" button and turn the dishwasher on **simultaneously** using the  button. Keep the "Program" button pressed for at least four seconds until the lower right program indicator lights up.

If it does not come on, start over.

- Now press the program button briefly twice.

The "Intake/Drain" indicator flashes twice at a short interval and the upper right program indicator flashes once at a short interval (factory default).

- Press the "Program" button (for at least one second) until the "Intake/Drain" indicator lights up.


The set value is indicated by the flashing rhythm of the **upper right program indicator** (see Table).

°d	gr/gal	Flashing rhythm "Rinse"
<b>1 - 4</b>	<b>1 - 4</b>	<b>Once short</b>
5 - 7	5 - 7	2 short
8 - 11	8 - 11	3 times short
12 - 15	12 - 16	4 times short
16 - 20	17 - 21	5 times short
21 - 25	22 - 26	6 times short
26 - 30	27 - 31	7 times short
31 - 36	32 - 38	8 times short
37 - 45	39 - 47	9 times short
46 - 70	48 - 73	Once long

- Press the "Program" button briefly to select the flashing rhythm corresponding to the water hardness in your area. With each press of the button the value will go up one level. Once the highest value is reached the setting will start again from the beginning.

### Example:

The water hardness is 22 °d. The upper right program indicator flashes 6 times at a short interval.

- Press the  button to turn the dishwasher off.

### Checking the programmed water hardness

- Press the ○ button to turn the dishwasher off.
- Press and hold the "Program" button and turn the dishwasher on simultaneously using the I button. Keep the "Program" button pressed for at least four seconds until the lower right program indicator lights up.
- Now press the program button briefly twice.

The set water hardness value is indicated by the flashing rhythm of the upper right program indicator light (see Table).

- Press the ○ button to turn the dishwasher off.

## Before using for the first time

Every dishwasher is tested before leaving the factory. Any water remaining in the machine is from the final factory test and does not indicate that the machine has been used.

**Important:** The salt container must be filled with 2 quarts (2 l) of water **before adding salt for the first time** so the salt can dissolve properly. Water does not have to be added with subsequent refills.

### Filling the salt container

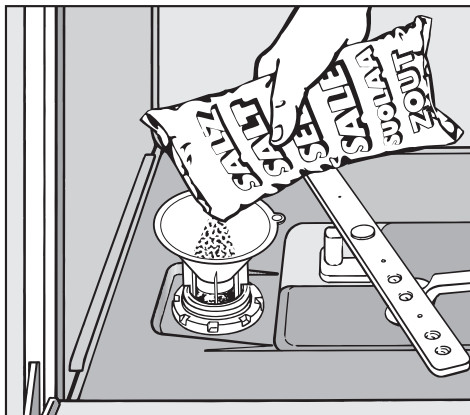
⚠ Inadvertently filling the salt container with dishwashing detergent (including liquid detergent) will damage the water softener.

⚠ Only use water softener salt specially formulated for dishwashers. Other salts may contain insoluble additives which can impair the water softener.

If using "Tab" products which include salt, still add salt to the machine to achieve optimal cleaning results and ensure long-term functioning of the water softener.

- Remove the lower basket from the wash cabinet and unscrew the salt container lid.

When opening the salt container, water will run out. Open the container only to refill salt.




- Place the provided funnel over the salt container and carefully fill it with salt. The salt container holds approx. 4.4 lbs (2 kg) of salt, depending on the type of salt.
- Clean any excess salt from the threads of the container opening. Screw the lid on **firmly**.
- Immediately after each refill, run the "Express" program without a load. This will remove any traces of salt from inside the wash cabinet.

### Refill salt message

- When the "Salt" indicator light comes on, refill the salt after the program has finished.

After the container has been filled, the "Salt" indicator light can remain on for a short time. It will go out once the reactivation process is complete.

The "Salt" indicator light is turned off if you have programmed the dishwasher to a water hardness below 4 °d (4 gr/gal)).


 Immediately after each refill, run the "Express" program without a load. This will remove any traces of salt from inside the wash cabinet.

## Before using for the first time

### Rinse aid

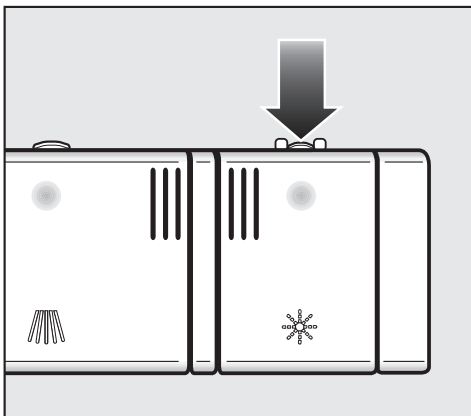
Rinse aid helps to prevent spotting on dishes and glassware.

The rinse aid is filled in the reservoir and the set amount will be automatically dosed.

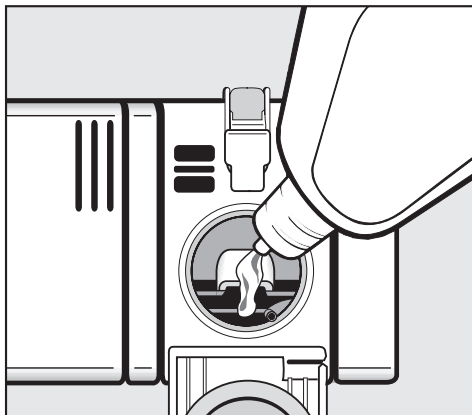
 Filling the rinse aid reservoir with detergent will damage the reservoir. Only pour rinse aid formulated for residential dishwashers into the reservoir.

When using "Tab" detergents rinse aid is not needed.

### Adding rinse aid



- Press the button in the direction of the arrow until the flap springs open.



- Pour liquid rinse aid into the reservoir until it is visible on the surface of the screen.

The rinse aid reservoir holds approx. 3.7 oz (110 ml).

- Press on the flap until you hear it click shut. Failure to close it all the way allows water to enter the reservoir during the wash program.
- Clean any spilled rinse aid. The flap will remain closed during normal operation.

### Rinse aid indicator

When the rinse aid indicator first comes on, there will be enough rinse aid left for 2 - 3 washes.

- The rinse aid indicator on the control panel will light when the rinse aid reservoir needs refilling.



# Before using for the first time

## Adjusting the dosage

The dosage selector is preset to 3. This dispenses approximately 3 ml of rinse aid per program. It can be adjusted from 0 to 6.

- Use a higher setting if spots appear on dry glassware.
- Use a lower setting if streaking appears on dishes or glasses.
- Turn the dishwasher off "○".
- Press and hold the "Program" button and at the same time turn the dishwasher on |.  
Hold the "Program" button until the "Rinse & Hold" indicator comes on.

If it does not come on start over.

- Press the "Program" button three times.

The "Intake / Drain" indicator flashes three times in intervals.

The "SaniWash" indicator flashes 3 times in intervals.

The rinse aid dosage is adjusted to 3 ml by default.

The amount set can be recognized by the flashing rhythm of the "SaniWash" indicator (see table):

Dosage in ml	Flashing rhythm
0	-
1	Once
2	Twice
<b>3</b>	<b>3 times</b>
4	4 times
5	5 times
6	6 times


- Press and hold the "Program" button until the "Intake / Drain" indicator lights up.
- Select the desired setting with the "Program" button. Every touch of the button increases the level.

The programmed dosage is saved.

- Turn the dishwasher off "○".

# Loading the dishwasher

---

 Do not wash items soiled with ash, sand, wax, grease or paint in the dishwasher.

Ash and sand do not dissolve and will be distributed throughout the inside of the dishwasher.

Wax, grease and paint will cause permanent discoloration and damage to the dishwasher.

- Scrape food from dishes before placing them in the dishwasher, rinsing is not necessary.
- Some foods contain natural dyes, e.g. carrots or tomatoes. Plastic items may discolor permanently if they come in contact with food dyes.
- All items can be placed anywhere in the baskets.
- Load dishes so that water can reach all surfaces. Do not place dishes or cutlery inside other pieces.
- Make sure that all items are securely positioned.
- Hollow items such as cups and glasses should be placed upside down in the baskets.
- To ensure good water coverage, tall, narrow and hollow items, i.e. vases or champagne glasses, should be placed in the center of the basket rather than in the corners.
- Concave based items such as mugs or bowls, should be placed at an angle so that water does not pool.
- The spray arms must not be blocked by items that are too tall or hang through the baskets. Check clearance by manually rotating the spray arms.
- Place very small items in the cutlery tray or basket so they do not fall to the bottom of the wash cabinet.
- Food residue and spilled liquids should be cleaned from the sides of the dishwasher door. These are outside of the wash cabinet and are not cleaned by water from the spray arms.

## Items not recommended for dishwashing

- Cutlery with wooden handles
- Wooden cutting boards
- Glued items such as old knives with handles glued together around the shank of the blade
- Handmade craft items, antique, metal trimmed or decorative glassware
- Plastic items that are not heat resistant
- Copper, brass, tin or aluminum
- Dishes with color painted over the glaze. These dishes may fade over time
- Fine glassware and crystal items should only be washed using the "China & Crystal" program\*. Otherwise clouding or etching may occur after frequent washing.
- Cast iron pots and pans

\* depending on model

If unsure whether your china and crystal are dishwasher safe, please check with the manufacturer. The China & Crystal program, although extremely gentle and thorough can cause the china and crystal to "wear" if they are not dishwasher safe.

## Glassware:

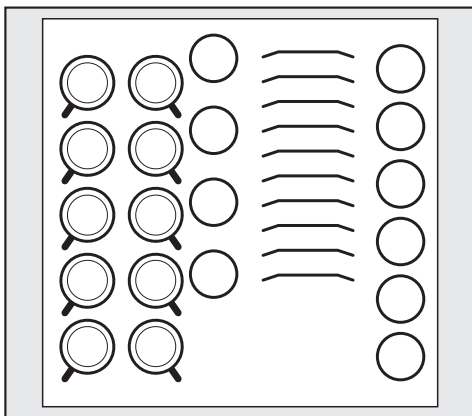
- There are no standard guidelines for washing glassware, when in doubt wash by hand.
- When purchasing new dishes, glasses and cutlery, make sure they are dishwasher safe. Only wash items marked "dishwasher safe" in the dishwasher.
- If fine glassware is washed in the dishwasher select the "China & Crystal" program\*. This will reduce the risk of clouding.

## Silver and aluminum:

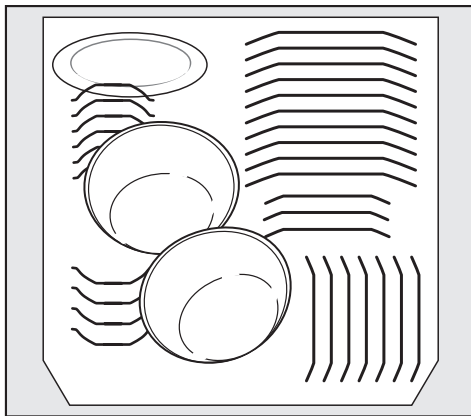
- Silver or aluminum items may tarnish.
- Silverware previously cleaned with a silver polish may be damp or spotted at the end of a program where water has adhered to the polish. This can be rubbed off with a soft, dry cloth. Silver that has been cleaned in an immersion dip is usually dry at the end of a program, but may tarnish.
- If left to dry, foods containing sulfur can discolor silver. These include egg yolk, onions, mayonnaise, mustard, fish and marinades.
- Silverware may tarnish or pit if washed next to stainless steel. Leave space between these metals.
- Clean aluminum items, e.g. grease filters, with domestic dishwasher detergent only.

# Loading the dishwasher

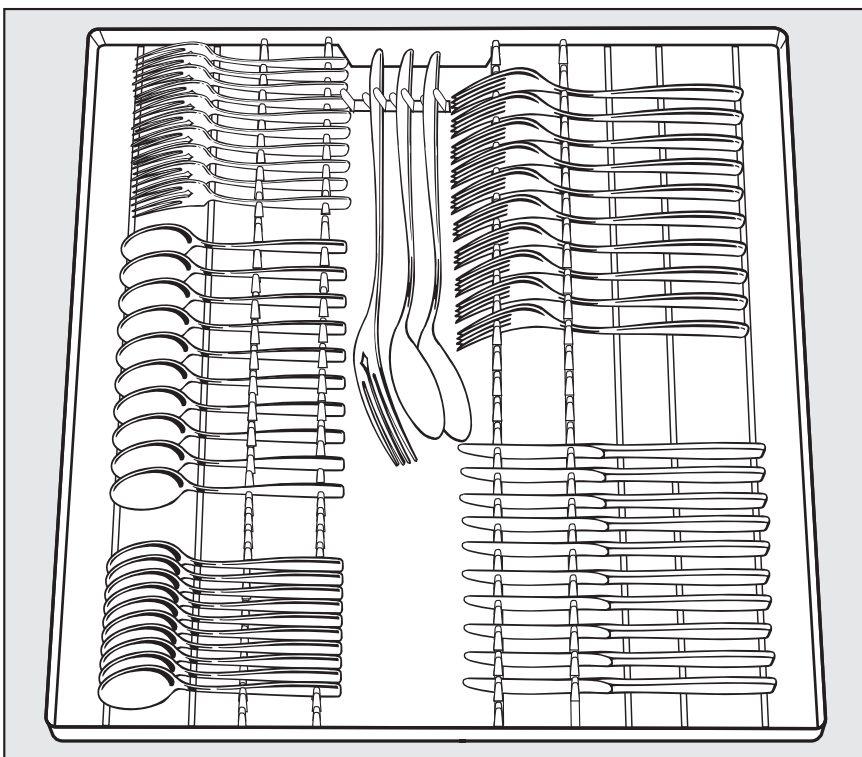
## Typical load for 10 place settings



Upper basket



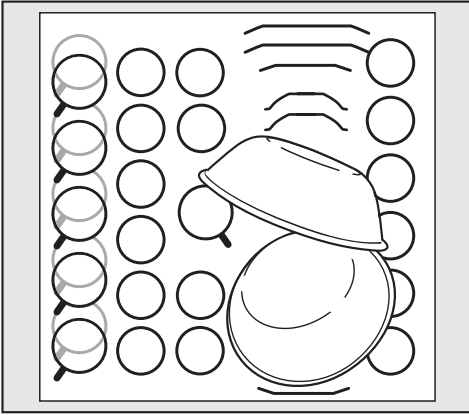
Lower basket



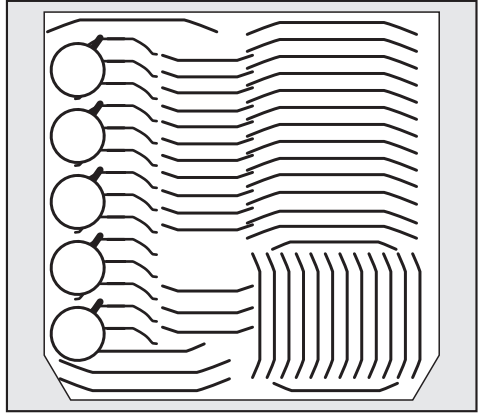
Cutlery tray

# Loading the dishwasher

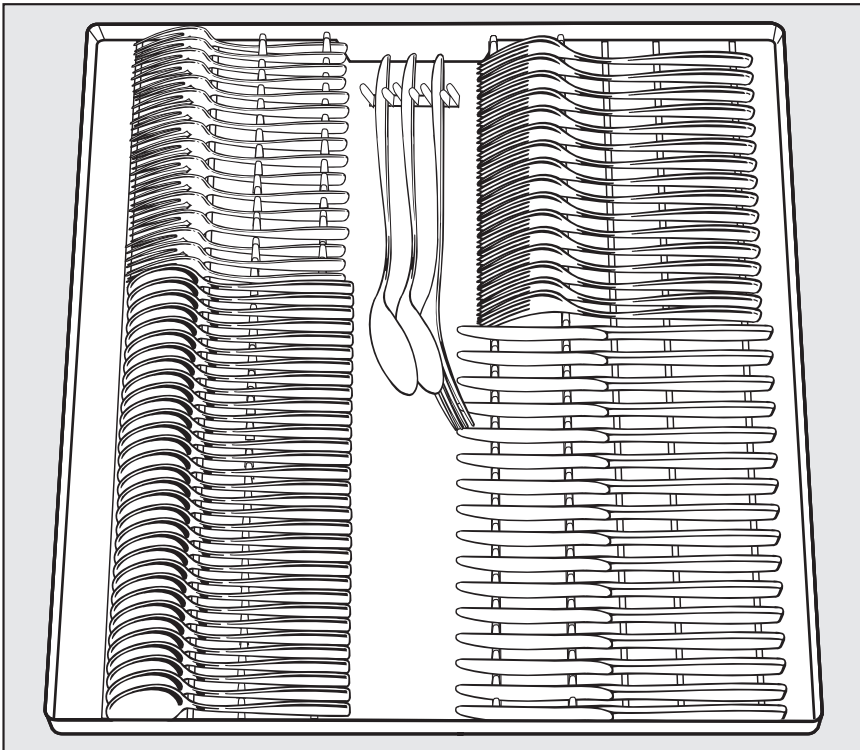
## Typical load for 16 place settings



Upper basket



Lower basket




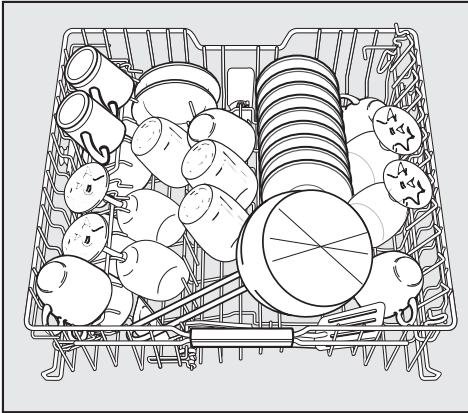
Cutlery tray

# Loading the dishwasher

---

## Upper basket

 Always use the dishwasher with the upper and lower basket in place.



- Load the upper basket with small, lightweight, or delicate items such as cups, saucers, glasses, dessert bowls and flat pans.

Long items such as soup ladles, mixing spoons and long knives should be placed lying down across the front of the upper basket.

## Adjustable cup rack

(depending on model)

- Raise the rack to make room for tall glasses.

Glasses can also be leaned against the cup rack so they are more stable.

- Lower it to double stack smaller pieces.

# Loading the dishwasher

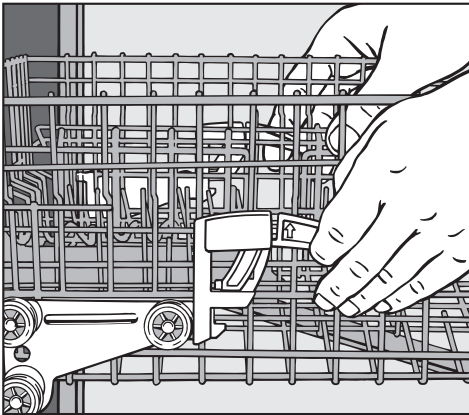
## Adjusting the upper basket

In order to gain more space for taller items the upper basket can be adjusted on three levels with 2 cm between each level.

The upper basket can also be set at an angle with one side high and the other side low. Make sure, however, that the basket can slide smoothly in and out of the cabinet.

- Slide out the upper basket.

To adjust the upper basket upwards:



- Lift the basket up until it clicks into place.

To adjust the upper basket downwards:

- Pull up on the levers at the sides of the upper basket.
- Adjust the basket to the desired height and then release the levers to lock the basket in place.

Depending on the setting of the upper basket, the following plate dimensions can be accommodated.

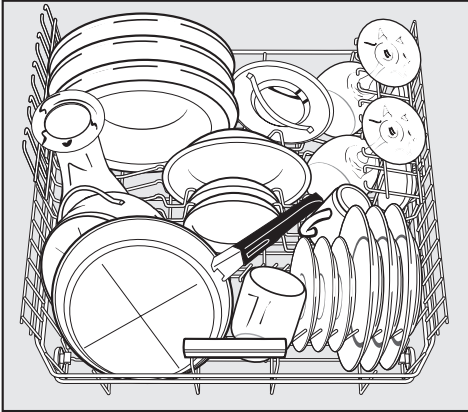
Depending on the setting of the upper basket, a variety of plate dimensions can be accommodated.

# Loading the dishwasher

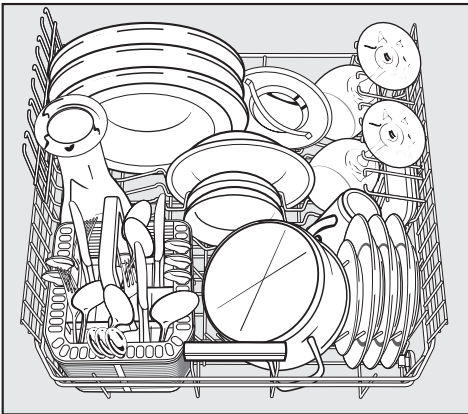
## Lower basket

- For larger and heavier items such as plates, serving platters, saucepans, bowls, etc. Glasses, cups, small plates and saucers can also be arranged in the lower basket.

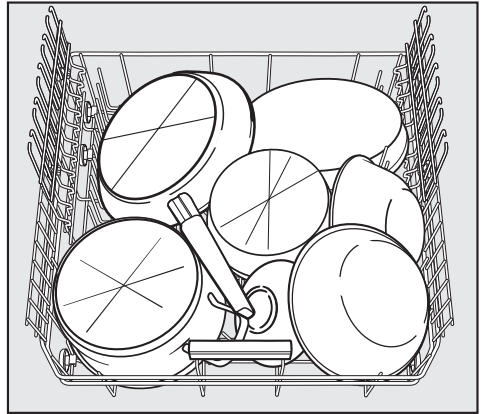
## Dishwasher with cutlery tray



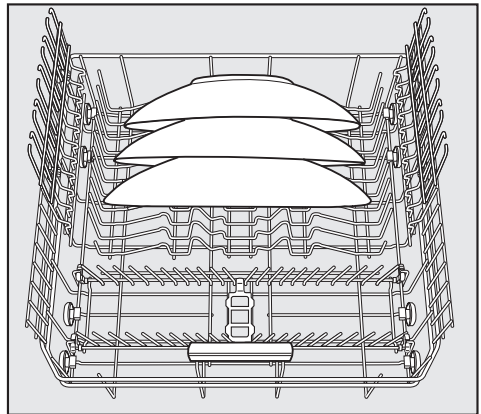
## Dishwasher with cutlery basket



## Heavily soiled items



- Place large platters and dishes in the center of the lower basket.



When tilted, plates up to 13 3/4" (35 cm) in diameter can be accommodated.



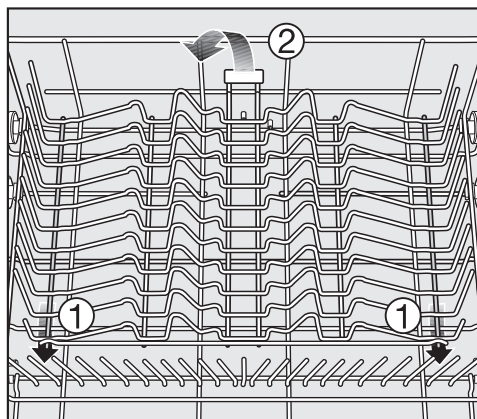
# Loading the dishwasher

## Removable MultiComfort insert

The rear section of the lower basket is used for cups, glasses, plates, pots and pans.

You can remove the MultiComfort insert to provide more space for larger items such as pots and pans.

### To remove the insert ①



- Press the yellow handle forwards and remove the insert.

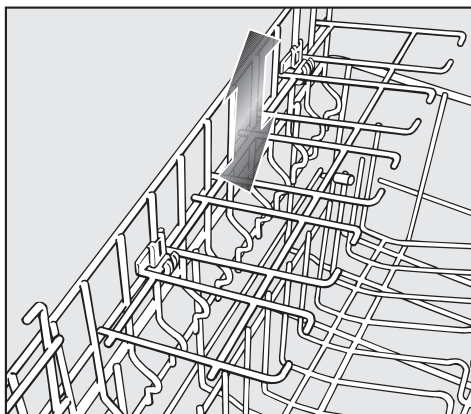
### To replace the insert ②

- Slide the hooks of the insert under the struts of the lower basket.
- Push down on the insert to snap it into position.

## Glass rack

- The glass rack can be raised to make more room for tall items.
- Stem glassware, e. g. wine glasses, champagne flutes or beer glasses, can be leaned against the glass rack or suspended from it.

The height of the glass rack is adjustable.



- Slide the glass rack to the desired height until the catches click into place at the top.

# Loading the dishwasher

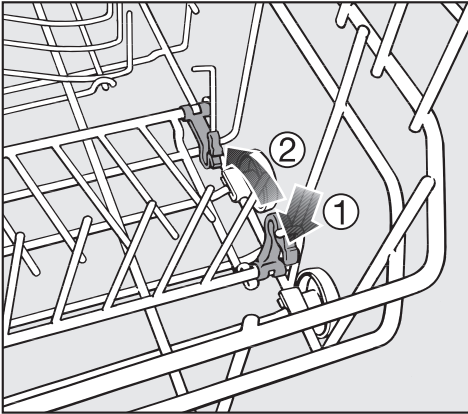
---

## Foldable spikes

(depending on model)

The spikes at the front are used for plates, soup bowls, platters, desert bowls, and saucers.

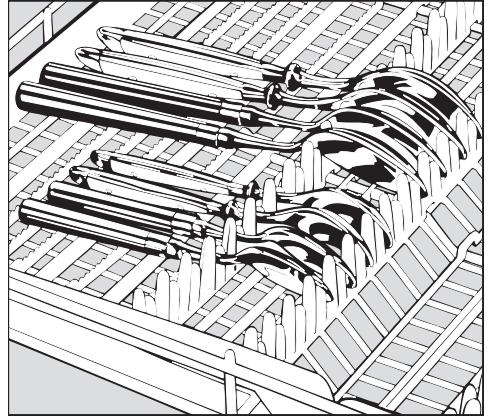
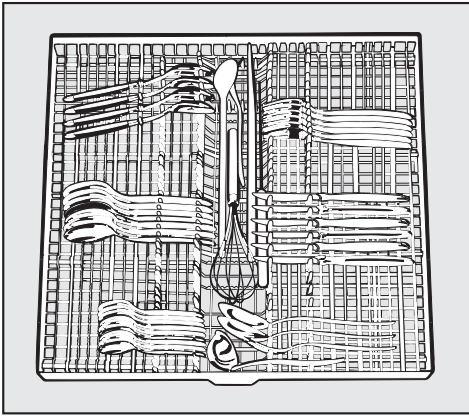
Both rows of spikes can be folded down to create more room for larger dishware, e. g. pots, pans and bowls.



- Press the yellow lever down ① and fold down the spikes ②.

## Cutlery tray

(depending on model)



Spoons with thick handles may have to be placed as knives and forks with their heads in the holders.

- Arrange the cutlery as shown in the cutlery tray.

For easier unloading cutlery should be grouped in zones, one for knives, one for forks, one for spoons, etc.

Place knives with the cutting edge down and forks with the prongs between the holders. Spoons should be placed in the opposite direction with the handles between the holders so that water can run off more easily.

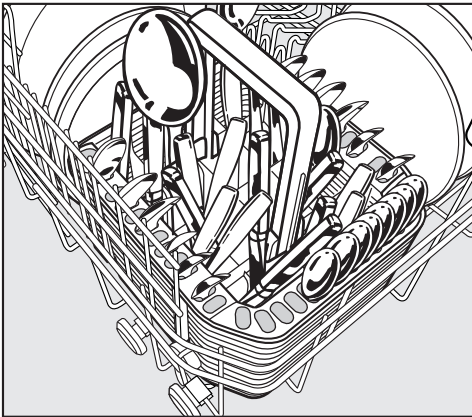
The upper spray arm must not be blocked by tall cutlery items.

The cutlery tray insert is removable.

# Loading the dishwasher

## Cutlery basket

(depending on model)

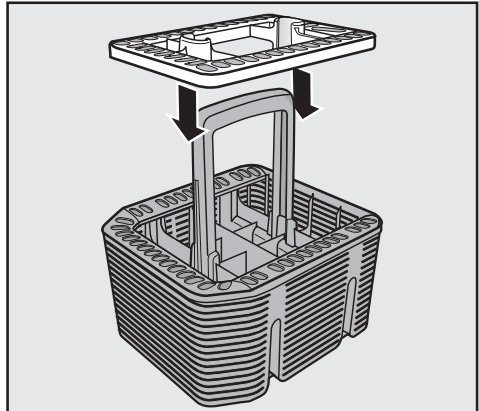


The cutlery basket can be placed anywhere on the front rows of spikes in the lower basket.

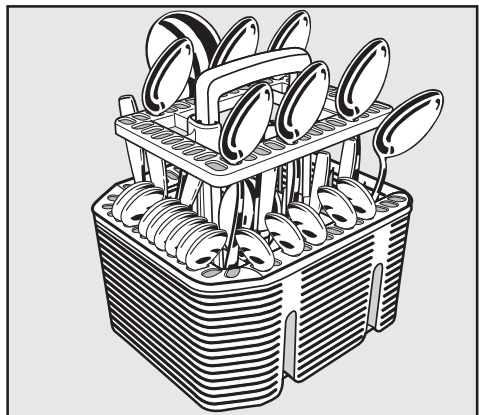
- To avoid risk of injury, knives and forks should be placed with the handles upwards in the basket. However, cutlery placed handle down in the basket will come out cleaner and drier.
- Place small items of cutlery in the individual slots on three sides of the cutlery basket.

## Cutlery insert for the cutlery basket

Use the insert supplied for heavily soiled items of cutlery. The insert separates the items so that they can be reached better by the spray jets.



- Fit it onto the cutlery basket if required.



- Insert cutlery with the handles facing downwards, and distribute them evenly along the insert.

## Optional accessories

---

Optional dishwasher accessories are available from your Miele dealer, Miele or Mieleusa.com (depending on your model some may already be supplied with your machine as standard).

---

### **If you would like to...**

### **the following accessory will need to be ordered...**

---

...wash a Miele Cappuccinatore

... a Cappuccinatore insert for the upper basket.

---

...wash additional items of cutlery

... a cutlery basket for the lower basket.

---

...wash long-stemmed glassware

... a glassware rack for the lower basket.


## **MieleCare Collection**


Miele branded cleaning and care products, including dishwasher salt, detergent and rinse aid, are available to order from your Miele dealer, Miele or the on-line Miele store [www.mieleusa.com](http://www.mieleusa.com)

# Use

---

## Detergent

 Dishwasher detergents contain irritant and corrosive ingredients. Avoid inhaling or swallowing dishwasher detergent. Keep children away from detergent. Keep detergent out of the reach of children. Keep children away from the dishwasher when the door is open. There could still be detergent residues in the dishwasher. Only add detergent just before starting the program and lock the door with the child safety lock (depending on model).

 Only use detergents formulated for domestic dishwashers.

Use only the recommended amount of detergent. Continued use of too much detergent may cause machine damage.

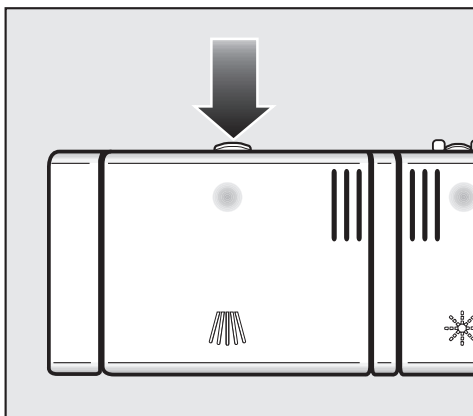
When using the "China & Crystal" program (depending on model) reduce the amount of detergent used to at least  $\frac{1}{2}$  of the normal dosage. Also make certain your china and crystal are dishwasher safe.

You can use powder, gel or tab detergents. Follow the dosage information on the detergent packaging.

Detergent tabs are not recommended for use with the program "Express". The tabs may not dissolve completely.

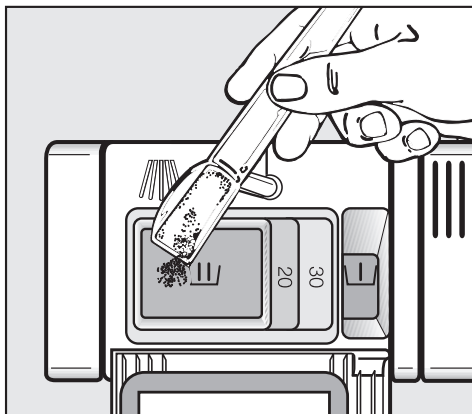
Dishwasher cleaning products are available from Mlele.

## Adding detergent



- Press the latch on the detergent dispenser. The flap will spring open.

The flap is always open at the end of a program.



- Add detergent to the compartments and close the container flap.
- Use one tab or add powder or gel detergent to compartment II and close the flap.
- If a Pre-rinse is desired, and available for your chosen program, add 1 teaspoon (5 ml) of detergent to compartment I.

Compartment I holds a maximum of 2 teaspoons (10 ml), compartment II holds a maximum of 3.5 tablespoons (50 ml) of detergent.

The horizontal marks in compartment II indicate the levels of approximately 1 ¼ and 2 tablespoons (20 and 30 ml) respectively. The marks indicate the approximate fill level in ml when the door is open in a horizontal position.

# Use

---

## Turning on

- Open the water supply, if it is closed.
- Open the door.
- Make sure the spray arms can rotate freely.
- Press the I button to turn the dishwasher on.

The I indicator and the indicator of the last set program light up.

## Selecting a program

Choose your program according to the type of load and soiling.

See the **"Program Guide"** for more information.

- Select the desired program with the Program selection button.

The indicator light for the selected program will come on.

You can now select any additional options (see "Additional Options").


## Starting a program

- Start the program by closing the door.

Cancel a program only in the first few minutes.  
Otherwise important program steps (e.g. the water softening) may be interrupted.

## Standby

A few minutes after the last key is pressed or at the end of the program the dishwasher will switch into Standby mode to save energy. The display and the indicators are turned off and only the I indicator lights.

- To turn the dishwasher back on press any key (except .

If refill salt and/or rinse aid or a fault are present in the display, the dishwasher will not switch to Standby mode.



Program guide	When to use	Program sequence						
		Pre-rinse		Main wash	Interim rinse		Final rinse	Drying
		1	2		1	2		
<b>Pots &amp; Pans</b>	For <b>normally soiled pots &amp; pans with dried on food</b> , and heavily soiled dishware, use 120% detergent recommended	X		X	X		X	X
<b>Normal</b>	Program for completely washing a full load of <b>normally soiled</b> dishware with the ability to adjust energy and water consumption based on the soil load of the dishware.	as required		X	X		X	X
<b>China &amp; Crystal</b>	For temperature sensitive glassware and lightly soiled dishware, <b>use 50% detergent recommended.</b>	X		X	X		X	X
<b>SaniWash</b>	To <b>sanitize dishware</b> , e.g. baby bottles, cutting boards and preparation dishware.			X		X	X	X
<b>Express</b>	"Quick program" for <b>lightly soiled</b> dishware, e.g. party dishware or to remove salt traces from the wash cabinet after refilling salt, not suitable for detergent tabs.			X	X		X	X
<b>Rinse &amp; Hold</b>	To rinse dishes when a complete program is not needed.	X						

Usage:

Electrical - 0.01 - 1.23 kWh

Water - 1.3 - 6.3 gal (5 - 24 l)

# Use

---

## At the end of a program


- Open the door slightly to check whether the program has finished.

The indicator for the selected program has gone out.

The program has not yet finished as long as the program indicator is still flashing. Close the door again so that the program runs to the end.


In the "Express" program, the drying fan will run for a few minutes after the program is completed.


You can now empty the dishwasher.

 To avoid damage to counter tops from steam, open the door after the the end of the program either fully (never ajar) or keep it closed until you are removing all the dishes.

## Turning off

At the end of a program:

- Open the door.
- Press the  button to turn the dishwasher off.

The dishwasher continues to use electricity until turned off with the  button.

To be safe, turn the water supply off if the dishwasher is unattended for an extended period of time, e.g. during vacation.

## Unloading the dishwasher

Dishes tend to break and chip more easily when they are hot.

Allow the dishes to cool until they are comfortable enough to handle before unloading them.

If you open the door fully after switching off, the dishes will cool much faster.

Unloading the lower basket first will prevent water drops from the upper basket and cutlery tray (depending on model) from dropping onto dishes in the lower basket.

## Interrupting a program

A program is interrupted as soon as the door is opened.

If the door is closed again, the program will continue from where it was interrupted.





Water in the dishwasher is hot.  
Danger of scalding.

Only open the door if absolutely necessary and exercise extreme caution when doing so. Before closing the door again, leave it ajar for approx. 20 seconds. This will enable the temperature in the wash cabinet to settle. Close the door firmly until it clicks into place.

## Changing a program

If the detergent dispenser flap is already open, do not change the program.

If a program has already started and you wish to change it:

- Open the door.
- Press the  button.
- Press the  button.
- Select the desired program with the Program selection button.
- Start the program by closing the door.

## Additional options

---

### Buzzer

A signal sounds at the end of a program and when a fault occurs.

The buzzer at the end of a program sounds four times in intervals with a brief break in between.

The buzzer for a fault sounds four times without pausing.

The buzzer is activated by default. It can be turned off, so it does not sound at the end of a program. The buzzer for a fault cannot be turned off.

- Open the door.
- Turn the dishwasher off with the ○ button.
- Press and hold the Program button and turn the dishwasher on **simultaneously** using the ① button. Keep the program button pressed for at least four seconds until the lower right program indicator lights up.

If it does not come on, start over.

- Press the Program button four times briefly.

The "Intake/Drain indicator flashes 4 times at short intervals.

The sequence of flashing by the upper right program indicator shows whether the program end buzzer is turned on or off:

- upper right program indicator flashing: buzzer is turned on
- upper right program indicator is off: buzzer is turned off

- To change the setting press the "Program" button (for at least one second) until the "Intake/Drain" indicator lights up.

- Now press the Program button briefly.

The setting is saved immediately.

- Turn the dishwasher off with the ○ button.

### Factory default

All settings can be reset to factory default.

- Open the door.
- Turn the dishwasher off with the ○ button.
- Press and hold the Program button and turn the dishwasher on **simultaneously** using the ① button. Keep the Program button pressed for at least four seconds until the lower right program indicator lights up.

If it does not come on, start over.

- Press the Program button briefly 12 times.

The "Intake/Drain" indicator flashes once long and twice short.


The sequence of flashing by the upper right program indicator shows whether a setting has been set differently to the default setting.


- upper right program indicator flashes:  
all values are set to the default settings.
- upper right program indicator is off:  
at least one setting has been changed.
- To reset the dishwasher to factory default press the "Program" button (for at least one second) until the "Intake/Drain" indicator lights up.
- Now press the Program button briefly.

The setting is saved immediately.


- Turn the dishwasher off with the ○ button.

# Frequently Asked Questions

 Repairs should only be carried out by a qualified and trained person in accordance with local and national safety regulations. Unauthorized repairs could cause personal injury or machine damage.

<b>Technical faults</b>		
<b>Problem</b>	<b>Possible fault</b>	<b>Solution</b>
<b>The dishwasher does not start.</b>	The door is not properly closed.	Push the door firmly shut.
	The machine is not plugged in.	Insert the plug.
	The circuit breaker has tripped.	Reset the circuit breaker (see the data plate for minimum amperage).
	The dishwasher is not turned on.	Press the I button and select a program.
<b>The dishwasher stops during a program.</b>	The circuit breaker has tripped.	<ul style="list-style-type: none"> <li>– Reset the circuit breaker (see the data plate for minimum amperage).</li> <li>– If the circuit breaker trips again, contact Miele.</li> </ul>
<b>The buzzer sounds. All indicator lights of the program selection flash when the door is open.</b>	There may be a technical fault.	<ul style="list-style-type: none"> <li>– Turn the dishwasher off with the  button.</li> </ul> <p>After a few seconds:</p> <ul style="list-style-type: none"> <li>– Turn the dishwasher on.</li> <li>– Select the desired program with the Program selection button.</li> <li>– Close the door.</li> </ul> <p>If the indicator lights flash again, a technical fault has occurred.</p> <ul style="list-style-type: none"> <li>– Contact Miele.</li> </ul>
<b>The drain pump may also be running when the door is open.</b>	The waterproof system has activated.	<ul style="list-style-type: none"> <li>– Turn off the water supply.</li> <li>– Contact Miele.</li> </ul>

## Frequently Asked Questions

Faults in the water intake/water drain		
Problem	Possible fault	Solution
<b>The dishwasher stops shortly after the program starts. The buzzer sounds. The "Intake/Drain" indicator flashes and lights up alternately when the door is open.</b>	The water supply valve is closed.	<ul style="list-style-type: none"> <li>– Open the water supply valve all the way.</li> </ul>
<b>The dishwasher has stopped. The buzzer sounds. The "Intake/Drain" indicator flashes when the door is open.</b>		Before fixing the fault: <ul style="list-style-type: none"> <li>– Turn the dishwasher off with the  button.</li> </ul>
	Fault in the water intake.	<ul style="list-style-type: none"> <li>– Open the water supply valve all the way.</li> <li>– Clean the water intake filter (see "Cleaning and Care").</li> <li>– The water pressure at the water connection is less than 30 kPa (0.3 bar/4.35 psi). Consult a plumber.</li> </ul>
	Fault in the water drain. There might be water in the wash cabinet.	<ul style="list-style-type: none"> <li>– Clean the triple filter (see "Cleaning and care").</li> <li>– Clean the drain pump (see "Cleaning and Care").</li> <li>– Clean the non-return valve (see "Cleaning and Care").</li> <li>– Remove any kinks in the drain hose.</li> </ul>

# Frequently Asked Questions

<b>General problems with the dishwasher</b>		
<b>Problem</b>	<b>Possible fault</b>	<b>Solution</b>
<b>The display is dark and only the "   " indicator lights.</b>	The indicator lights go out automatically to save energy (Standby).	Press any button (except ○) to come out of Standby mode.
<b>Detergent residue is left in the dispenser at the end of a program.</b>	The dispenser was damp when detergent was added.	Dry the dispenser before adding detergent.
<b>The detergent dispenser lid cannot be closed properly.</b>	Detergent residue is blocking the catch.	Remove the residue.
<b>The door and the interior walls are still wet after a program has finished.</b>	This is not a fault! It is the normal operating mode of the drying system.	None! The moisture will evaporate after a short time.
<b>Water remains in the wash cabinet at the end of a program.</b>		Before fixing the fault: – Turn the dishwasher off with the ○ button.
	The triple filter in the wash cabinet is clogged.	Clean the triple filter (see "Cleaning and care").
	The drain pump or the non-return valve may be blocked.	Clean the drain pump and the non-return valve (see "Cleaning and care").
	The drain hose is kinked.	Remove any kinks from the drain hose.



## Frequently Asked Questions

<b>Sounds</b>		
<b>Problem</b>	<b>Possible fault</b>	<b>Solution</b>
<b>There is a knocking noise in the wash cabinet</b>	The spray arm is hitting an item in the basket.	Interrupt the program, rearrange items blocking the spray arms.
<b>There is a rattling noise in the wash cabinet</b>	Items are not secure in the wash cabinet.	Interrupt the program, and rearrange loose pieces.
	A foreign object (e.g. a cherry stone) has become lodged in the drain pump.	Remove the foreign object from the drain pump (see "Cleaning the drain pump and non-return valve")
<b>There is a knocking noise in the water line</b>	This may be caused by the installation or the diameter of the pipe.	This has no effect on the dishwasher. If in doubt, contact a plumber.

# Frequently Asked Questions

<b>Poor cleaning results</b>		
<b>Problem</b>	<b>Possible fault</b>	<b>Solution</b>
<b>The dishes are not clean.</b>	The dishes were not loaded correctly.	See "Loading the dishwasher".
	The program was not powerful enough.	Select a more intensive program (see "Program Guide").
	Not enough detergent was dispensed.	Use more detergent, or change the detergent.
	The spray arms are blocked.	Turn the spray arms and rearrange the dishes if necessary.
	The triple filter in the wash cabinet is clogged or not correctly inserted. The spray arm jets might be clogged as a result.	Clean the filter and insert it correctly. Clean the spray arm jets, if required (see "Cleaning and care").
	The non-return valve is stuck open and blocked. Wash water will run back into the wash cabinet.	Clean the drain pump and the non-return valve (see "Cleaning and care").
<b>Glasses and cutlery show streaks. There is a bluish sheen on the surface of glasses and a film which can be wiped off.</b>	The rinse aid dosage is set too high.	Reduce the dosage (see "Rinse aid").

## Frequently Asked Questions

<b>Problem</b>	<b>Possible fault</b>	<b>Solution</b>
<b>Dishes are not dry, glasses and cutlery are spotted.</b>	The rinse aid setting may be too low, or the rinse aid reservoir is empty.	Increase the dosage, refill the reservoir or switch the rinse aid product when refilling (see "Rinse aid").
	Dishes were taken out too soon.	Leave dishes in longer (see "Use").
	A "Tab" product was used. These products have a low drying effect.	Change the detergent, or refill the rinse aid (see "Rinse aid").
<b>White residue is visible on cutlery and dishes. Clouding occurs on glassware and cutlery; film can be wiped off.</b>	Not enough rinse aid was used.	Increase the dosage (see "Setting the rinse aid dosage").
	The salt container is empty.	Refill the salt container (see "Filling the salt container").
	The salt container lid was not correctly screwed on.	Reseat it making sure it screws back on correctly.
	Unsuitable "Tab" products were used.	Use a different detergent. Use normal (powder or gel) detergent.
	The water softener is programmed on too low a setting.	Program a higher water softener setting (see "Water softener").

# Frequently Asked Questions

<b>Problem</b>	<b>Possible fault</b>	<b>Solution</b>
<b>Glasses have a brown or blue discoloration; film cannot be wiped off.</b>	Detergent deposits.	Change detergent right away.
<b>Glasses are dull and discolored; film cannot be wiped off.</b>	Glasses are not dishwasher safe. The surface is affected.	There is no remedy. Only use dishwasher safe glasses.
<b>Tea or lipstick stains have not been completely removed.</b>	The wash temperature of the selected program was too low.	Select a program with a higher wash temperature.
	The detergent has a low bleaching effect.	Use a different detergent.
<b>Plastics are discolored.</b>	Natural dyes e.g. from carrots, tomatoes or ketchup may be the cause. Not enough detergent was used to break down natural dyes.	Use more detergent (see "Detergent"). Discoloration is permanent.
<b>There are rust stains on cutlery.</b>	The affected items are not corrosion resistant.	There is no remedy! Use only dishwasher safe cutlery.
	No program was run after refilling salt. Salt residuals got in the wash cycle.	Start the "Express" program without a load after refilling salt.
	The salt container lid was not screwed on properly.	Reseat it making sure it screws back on correctly.

### Repairs

In the event of a fault which you cannot correct yourself please contact the Miele Service Department at the phone number on the back of this booklet.

- Please quote the model type and number of your appliance.

These can be found on the data plate along the right edge of the door.

### PC Update

The Program Correction (PC) allows a technician to update the dishwasher to make use of new technology.

When, for example, technological developments offer advanced modifications to your existing program cycles a service technician will be able to input these into your machine controls via the indicator light marked PC. Miele will provide information when such possibilities become available.

### MieleCare

(USA only)

**MieleCare**, our Extended Service Contract program, gives you the assurance of knowing that your appliance investment is covered by 5 years of worry free ownership.

**MieleCare** is the only Extended Service Contract in the industry that guarantees repairs by a Miele Authorized Service Provider using genuine Miele parts. Only genuine Miele parts installed by factory trained professionals can guarantee the safety, reliability, and longevity of your Miele appliance.

Please note that unless expressly approved in writing by Miele's Service department, Extended Service Contracts offered by other providers for Miele products will not be recognized by Miele. Our goal is to prevent unauthorized (and untrained) service personnel from working on your Miele products, possibly doing further damage to them, you and/or your home.

To learn more about **MieleCare** Extended Service Contracts, please contact your appliance dealer or visit us online at:

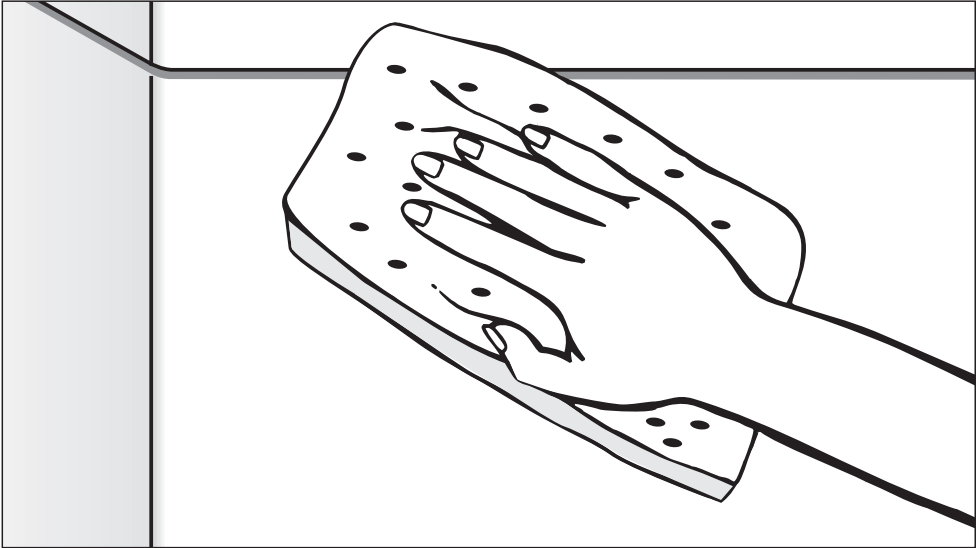
**<http://mieleusa.com/mielecare>**

# Transport

---

To transport the dishwasher, e.g. when moving to a new home, note the following:

- Empty the dishwasher.
- Secure any loose parts, e.g. hoses, cables, cutlery baskets.
- Transport the dishwasher in the upright position. If unavoidable it may be transported on its back. Do not transport it on its side or on the door. Residual water in the machine could leak and cause electrical damage.




## User Maintenance Instructions

To prevent accidents  
and appliance damage,  
read these instructions

**before**  
installation or use.

# Cleaning and Care

Check and clean your dishwasher regularly. This will help avoid faults and problems.

 Abrasive cleaning agents, all-purpose cleaners, thinner or ammonium cleaners should not be used on the dishwasher. They **will** damage the surface.

## Wash cabinet

Generally, the wash cabinet is self cleaning if the correct amount of detergent is used.


The wash cabinet can be cleaned with a dishwasher cleaner such as "Dis Cleaner" available from your Miele dealer or online at [www.mieleusa.com](http://www.mieleusa.com).

## Door and the door seal

- Wipe the door seals regularly with a damp cloth to remove food deposits.
- Food residue and spilled liquids should be wiped from the sides of the dishwasher door. These are outside of the wash cabinet and are not cleaned by water from the spray arms.

## Control panel

- The plastic control panels should only be wiped with a damp cloth or suitable cleaning agent designed for use on plastic.

 The appliance and front controls are not scratch proof. Remove spills immediately.

## Exterior

- Only use a conditioner suitable for your kitchen cabinetry.
- Clean wood with a damp cloth and wipe dry.

Clean the exterior with a solution of warm water and liquid soap applied with a soft sponge. Dry with a soft cloth.

Glass cleaners may be used to clean the exterior. However **do not** allow them to sit or puddle, this can cause damage to the surface.  
**Remove the cleaner promptly.**


## To prevent damage to your appliance avoid the following:

- cleaners containing soda, ammonia, thinners, or chlorides
- cleaners containing descaling agents or lime removers,
- abrasive cleaners,
- stainless steel cleaners,
- dishwasher soap (powder),
- caustic (oven) cleaners,
- scouring pads, steel wool, hard brushes,
- metal scrapers,
- steam cleaning products.



## Triple filter system

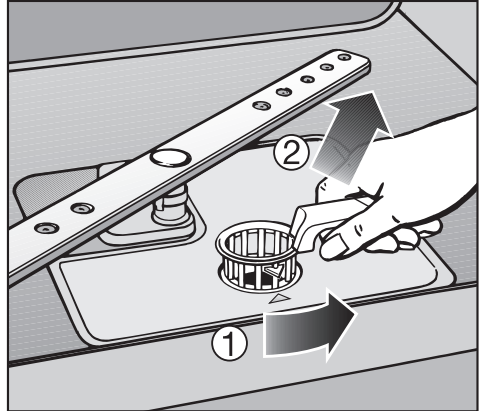
The triple filter system in the base of the wash cabinet prevents food from being redeposited on dishes. It also protects the circulation pump from damage caused by foreign objects (e.g. broken glass, bones). During normal use, the filter system is self-cleaning.

 The machine must not be used without all the filters in place!

- Check and clean the filter system periodically for any trapped or foreign objects.

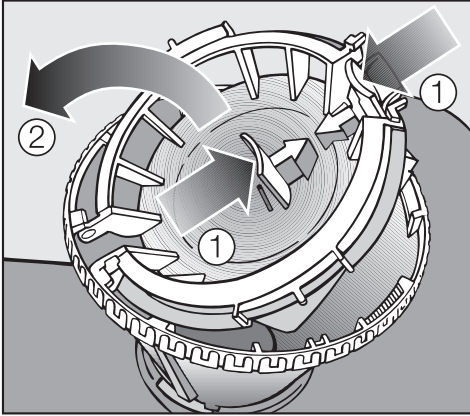
The level of soiling and time it takes before the filters need cleaning will vary depending on your household usage.

- Turn off the dishwasher before cleaning.



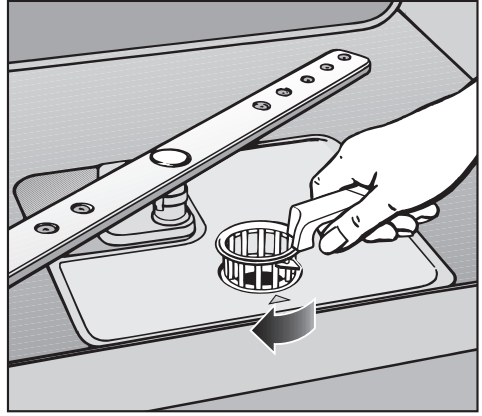
- Turn the handle counterclockwise to release the triple filter system ①.
- Lift the filter combination out of the machine ②. Remove any solid particles and rinse under running water. Scrub with a nylon brush if necessary.

## Cleaning and Care




To clean the inside of the filter, the flap must be opened.

- Push the clips together ① and open the flap ②.
- Rinse under running water.
- Close the flap so that the clip engages.



- Return the filter so it lies flat in the base of the wash cabinet.
- Lock the filter by turning the handle clockwise.

 The triple filter system must be inserted and locked into place. Large particles could get in the circulation system and cause a blockage.

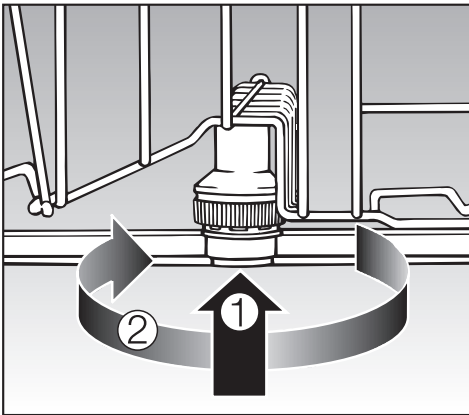
## Cleaning the spray arms

Sometimes particles of food get stuck in the spray arm jets. The spray arms should be inspected and cleaned every 4 - 6 months.

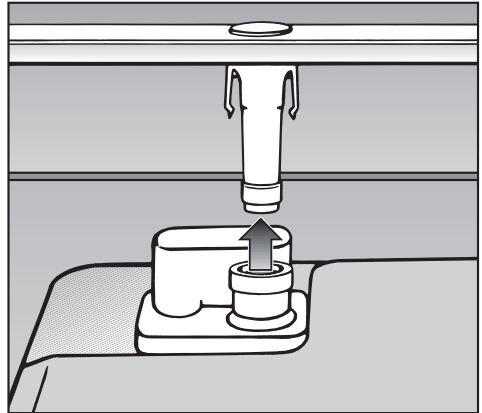
- Turn off the dishwasher before cleaning.

## Removing the spray arms

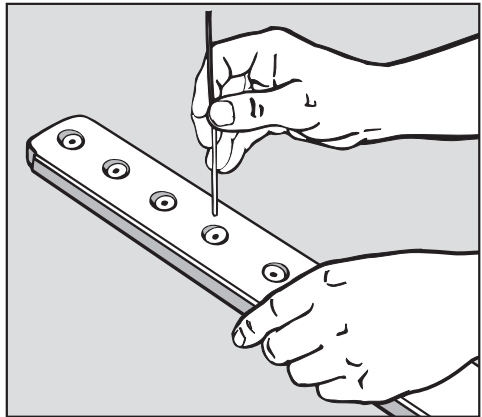
- Remove the cutlery tray (if present).
- Push the **upper** spray arm up to engage the inner ratchet and unscrew the spray arm.



- Lift up the **middle** spray arm, ①, to engage the ratchet and unscrew the spray arm, ②.
- Remove the lower basket.



- Pull the **lower** spray arm firmly upwards to remove.



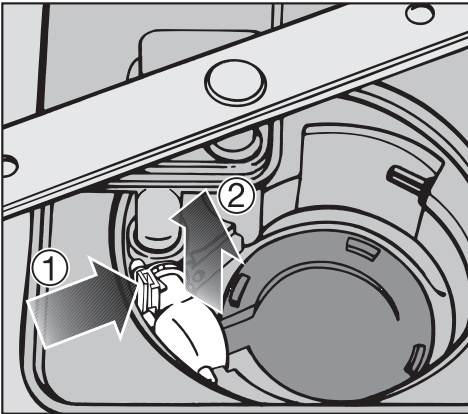
- Use a pointed object such as a toothpick to push food particles into the spray arm jets.
- Rinse thoroughly under running water.
- Return the spray arms and check that they rotate freely.

# Cleaning and Care

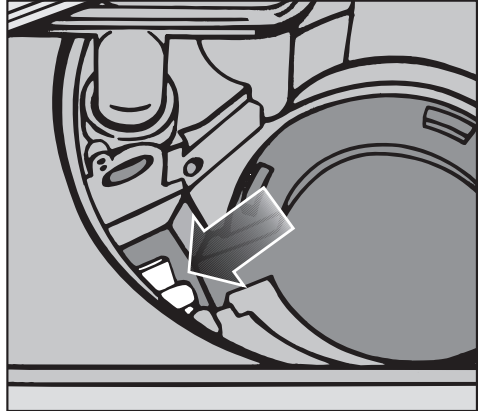
## Cleaning the drain pump and non-return valve

If the dishwasher is not completely drained at the end of a program, the drain pump or non-return valve may be blocked.

- Turn off the dishwasher and pull the plug.
- Remove the triple filter (see "Triple filter system").
- Use a cup or bowl to scoop water out of the wash cabinet.




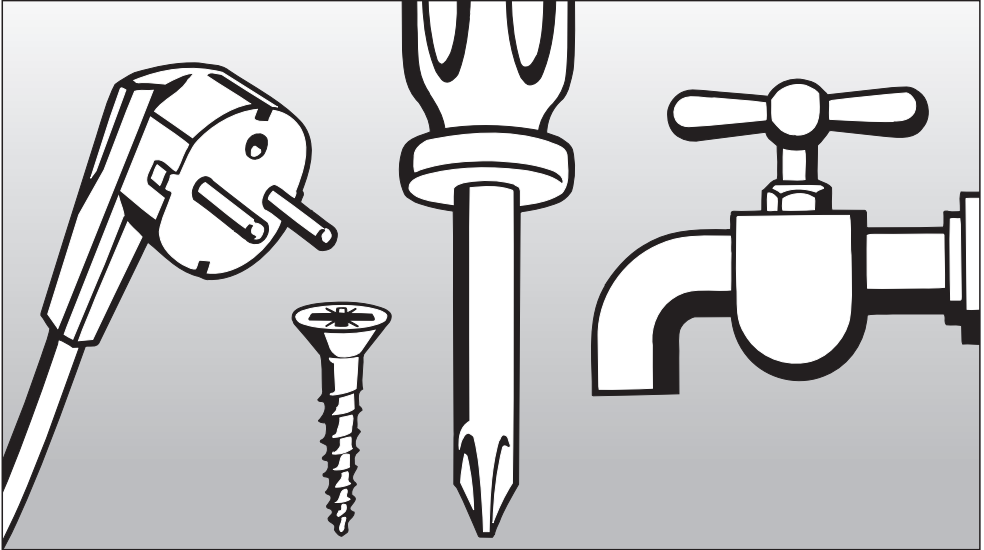
- Tilt the locking clamp to the side ①.
- Pull out the non-return valve ② and rinse it under running water.
- Remove all foreign objects from the non-return valve.



The drain pump is beneath the non-return valve (see arrow).

- Remove all foreign objects from the drain pump (glass or bone splinters).
- Before returning the non-return valve, check that the drain pump is not blocked. Spin the propeller several times in both directions to check for obstructions.
- Carefully reinsert the non-return valve and secure it with the locking clamp.

 Make sure the locking clamp clicks into place!



## Installation Instructions

Please refer to the Installation Diagram supplied with these instructions.

To comply with IEC sound testing protocols, please contact Miele for additional instructions.

Information is subject to change. Please refer to our website to obtain the most current product specification, technical & warranty information.

# Help to protect the environment

---

## **Disposal of the packing material**


The cardboard box and packaging protect the appliance during shipping. These materials are biodegradable and recyclable. Please recycle.

Ensure that any plastic wrappings, bags etc. are disposed of safely and kept out of the reach of children.  
Danger of suffocation!

## **Disposal of an old machine**

Old appliances may contain materials that can be recycled. Please contact your local recycling authority about the possibility of recycling these materials.


Ensure that the appliance presents no danger to children while being stored for disposal. Before discarding an old appliance, unplug it from the outlet, cut off its power cord and remove any doors to prevent hazards.

 Installation, repairs and other work by unqualified persons could be dangerous.

Check that the voltage, frequency and fuse rating shown on the data plate match the household mains supply.

The power outlet must be accessible after installation. Do not use an extension cord to connect the dishwasher to the mains. Danger of overheating! See data plate on the right side of the door.

A damaged power cord must only be replaced with a genuine Miele cord by a Miele service technician or a qualified technician.

 **Improper connection of the equipment grounding conductor can result in electric shock. Do not modify the plug provided with the appliance; if it will not fit the outlet, have a proper outlet installed by a qualified electrician. If there is any question concerning the proper electrical connection or grounding of this appliance to the power supply, please consult a licensed electrician or call Miele's Technical Service Department:**

 1-800-999-1360

 1-800-565-6435

### GROUNDING INSTRUCTIONS

**THIS APPLIANCE MUST BE GROUNDED.**

In the event of a malfunction or breakdown, grounding will reduce the risk of electric shock by providing a path of least resistance for the electrical current. This appliance is equipped with a cord having an equipment grounding conductor and a grounding plug. The plug must be plugged into an appropriate outlet that is installed and grounded in accordance with all local codes and ordinances.

### Specifications

The dishwasher comes equipped with a 4 ft (1.2 m) power cord with a molded plug for connection to 120 V, 60 Hz, 15 A grounded receptacle.

# Electrical connection

## Hardwired electrical connection

It is possible to hardwire this appliance to an existing power cable.

**⚠ CAUTION:** Before servicing, disconnect the power supply by either removing the fuse, shutting off the power main or manually "tripping" the circuit breaker.

Installation work and repairs should only be performed by a qualified technician in accordance with all applicable codes and standards. Repairs and service by unqualified persons could be dangerous and the manufacturer cannot be held responsible.

Before connecting the appliance to the power supply, make sure that the voltage and frequency listed on the data plate correspond with the household electrical supply. This data must correspond to prevent machine damage. Consult an electrician if in doubt.

## GROUNDING INSTRUCTIONS

### **THIS APPLIANCE MUST BE GROUNDED.**

This appliance must be connected to a grounded metal, permanent wiring system, or an equipment-grounding conductor must be run with the circuit conductors and connected to the equipment-grounding terminal or lead on the appliance.

**⚠** Prior to making a hardwire connection to the terminal, remove the power cord. Otherwise there will be a risk of electric shock from the attached plug.

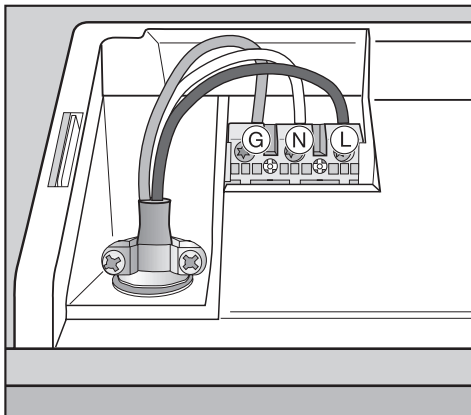
An existing flexible supply cord or cable shall have a minimum thickness of AWG 14.

120 V, 60 Hz, 15 A fuse rating

Black wire (live): connect to L

White wire (neutral): connect to N


Green wire (ground): connect to 




**⚠** After attaching the permanent power supply cord, check that all screws on the terminal block and the strain relief are tightened.



## Connection to the water supply

 Installation, repairs and other work by unqualified persons could be dangerous.


 Do not drink water from the dishwasher!


- The dishwasher can heat its own water to the temperature required by the wash program. This allows for connection of the machine to either a hot (max. 140°F / 60°C) or cold water source.  
For lowest energy consumption and fastest possible wash times connect the dishwasher to a hot water source. All programs use hot water in the rinse cycles.
- The inlet hose is approximately 5 ft. (1.5 m) long.
- The water inlet hose comes equipped with an inlet hose ending with a 3/8" female compression fitting. This can be directly connected to a water supply valve or to an appropriate coupling.

If not connected directly to a water supply valve, an appropriate adapter (not included) is required.

- Water pressure: Must be between 4.5 - 145 psi (0.3 - 10 bar).
- If the water pressure is lower, a "Water Intake" notification will be shown. See "Frequently Asked Questions" for more information.
- If the water pressure is higher than shown, a pressure reducing valve must be used.

Ensure that the water connection is secure after the first use.

 To prevent damage to the dishwasher, it must only be connected to a fully vented drainage system.

 Do not cut the intake hose. If the hose is cut, the dishwasher will not work. There will be a water leak. If the hose is too long, coil it neatly and place it behind or under the machine.

# Plumbing

## Drainage

- The machine comes equipped with a built-in non-return valve on the discharge side to prevent waste water from flowing back into the dishwasher.
- The dishwasher is equipped with a 5 ft (1.5 m) flexible drain hose with an internal diameter of 7/8" (22 mm).
- Drain hose extensions and adapters can be ordered from Miele. The maximum drain hose length is 13 ft. (4 m), max. drain height: 39" (1 m).
- Use the clamp provided to attach the hose to the dishwashers P trap or disposal connection (see the "Installation Diagram").

The hose must always be attached on the sink side of the P trap.

When attaching the hose to a garbage disposal fitting, make sure the plug which is normally blocking the fitting is knocked out or removed.

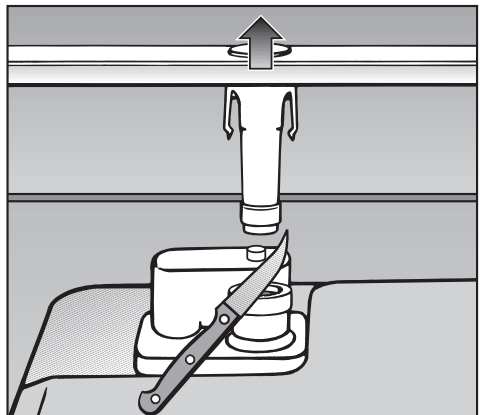
- The hose can be angled to the left or right side at the rear of the machine.
- The existing nipple that the drain hose is connected to may be designed for various hose diameters. If the nipple diameter is too large or too small it should be replaced or an adapter may be used. If the nipple extends more than 2" (50 mm) into the drain hose it should be shortened, or the hose could clog.

- The drain hose must not be shortened.

⚠ Make sure the hose is not kinked or cut when pushing the machine under the countertop.

## Venting the drainage system

If the dishwasher drain hose is connected to a floor drain or to a drain



pipe that is less than 8" (20 cm) above the floor, the drain must be vented. Otherwise the water inside the dishwasher may siphon out during the wash program.

- Open the dishwasher door and remove the lower basket.
- Pull the lower spray arm firmly upwards to remove.
- Cut off the vent cap located at the right rear of the triple filter system, as illustrated.



**Please have the model and serial number of your appliance available before contacting Technical Service.**

---



## **U.S.A. Miele, Inc.**

### **National Headquarters**

9 Independence Way  
Princeton, NJ 08540  
Phone: 800-843-7231  
609-419-9898  
Fax: 609-419-4298  
[www.mieleusa.com](http://www.mieleusa.com)

### **Technical Service & Support Nationwide**

Phone: 800-999-1360  
Fax: 888-586-8056

[TechnicalService@mieleusa.com](mailto:TechnicalService@mieleusa.com)

## **Canada Miele Limited**

### **Headquarters and Showroom**

161 Four Valley Drive  
Vaughan, ON L4K 4V8  
Phone: 800-643-5381  
905-660-9936  
Fax: 905-532-2290  
[www.miele.ca](http://www.miele.ca)  
[professional@miele.ca](mailto:professional@miele.ca)  
(commercial enquiries)

### **MieleCare National Service**

Phone: 800-565-6435  
905-532-2272  
Fax: 905-532-2292  
[customercare@miele.ca](mailto:customercare@miele.ca)  
(general and technical enquiries)

## **Germany**

Miele & Cie. KG  
Carl-Miele-Straße 29  
33332 Gütersloh

---

Alteration rights reserved / 1511  
G5170/G5175 /

M.-Nr. 09 016 320 / 02



INFORMATION IS SUBJECT TO CHANGE. PLEASE REFER TO OUR WEBSITE TO OBTAIN THE MOST CURRENT PRODUCT SPECIFICATIONS, TECHNICAL & WARRANTY INFORMATION.

## Free Manuals Download Website

<http://myh66.com>

<http://usermanuals.us>

<http://www.somanuals.com>

<http://www.4manuals.cc>

<http://www.manual-lib.com>

<http://www.404manual.com>

<http://www.luxmanual.com>

<http://aubethermostatmanual.com>

Golf course search by state

<http://golfingnear.com>

Email search by domain

<http://emailbydomain.com>

Auto manuals search

<http://auto.somanuals.com>

TV manuals search

<http://tv.somanuals.com>