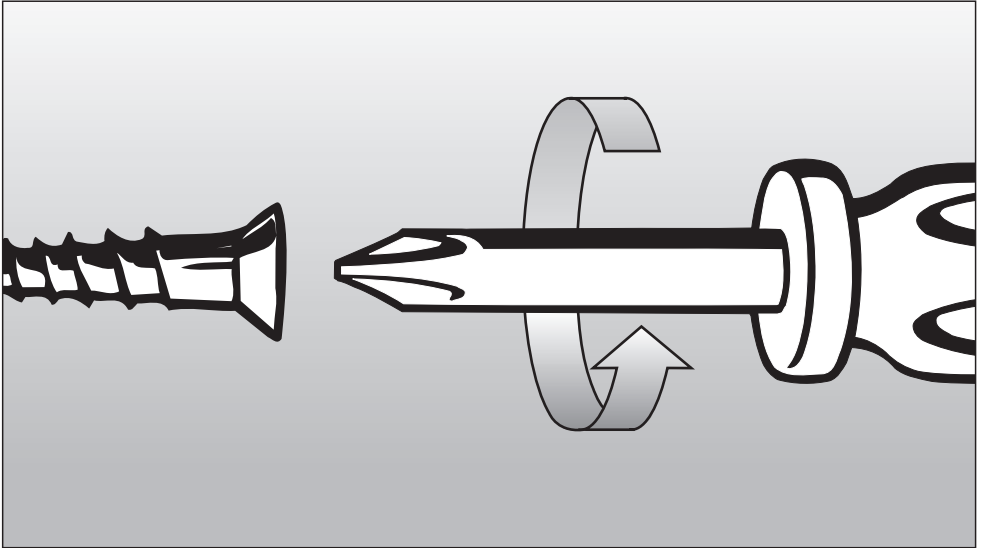


Installation instructions



for freestanding, built-under and
integrated dishwashers

It is **essential** to read the operating and installation instructions before installing or using the machine, to avoid the risk of accident or damage to the machine.



M.-Nr. 05 565 043

These installation instructions apply to several different dishwasher models. Model numbers in this booklet refer to the model designation specified on the data plate on the machine (and not the description on the control panel). The data plate is located at the top of the door when open.

The model numbers quoted refer only to the basic model number, e.g. the G 641 SCi is described as the G 641 in this booklet.

It is **essential** to read the **Warning and Safety Instructions** in the Operating Instruction booklet before installing the dishwasher.

Installing a freestanding dishwasher	4
Installing integrated "i" Dishwashers	5
1. Fitting protective cover plate to worktop	7
2. Fitting the fascia panel	8
3. Building the dishwasher into a niche	10
Slides	10
Securing pieces	11
Angle connector	11
4. Matching the fascia panel to the height of adjacent drawer fronts	13
5. Fitting the (matching) door front	14
Fitting the fixing bracket	14
Fitting and securing the door front	16
6. Securing the dishwasher	18
7. Adjusting the door springs	19
8. Matching the plinth facing of a kitchen run	20
Installing built-under "U" model dishwashers	21
1. Fitting protective cover plate to worktop	23
2. Building the dishwasher into its niche	24
Dishwasher height	25
Slides	25
Screw feet	26
3. Calculate the decor panel height	27
4. Matching the plinth facing of a kitchen run	28
5. Securing the dishwasher	31
6. Adjusting the door springs	32
7. Adjusting the plinth return	33
8. Matching the plinth facing of a kitchen run	35
Electrical connection	36
Plumbing	38
Connection to the water inlet	38
Drainage	39
Venting the drainage system	39
Optional accessories	40
"i"- Integrated dishwashers	40
Built-under "U" model dishwashers	40
Freestanding dishwasher	40
Technical data	41

Installing a freestanding dishwasher

Freestanding dishwashers

Freestanding dishwashers do not require any special installation fixings in the kitchen, (except for plumbing and electrical connection points. See relevant sections at the end of this booklet).

Ensure that the drain hose, inlet hose and the electric cable are laid to reach the connection point without any kinks.

- The dishwasher must be level and stable when installed.
- Any unevenness in the floor level can be compensated for by adjusting the four screw feet.

Depending on model
the adjustment range is:

- G 601 - G 632 2 cm
 (85-87 cm total height)
- G 646 - G 698, G 975 4 cm
 (85-89 cm total height)

Installing integrated "i" Dishwashers

Integrated ("i") dishwashers

"i" dishwashers are specially designed for building under a continuous worktop.


- The control panel with its accessories is included with the "i" dishwasher in a separate package for on-site fixing.
- The front of the dishwasher is designed to take a front panel. It can be fitted with a base unit door front to match the rest of the kitchen.
- The dishwasher does not have a plinth facing. The plinth area of the dishwasher needs to be covered either with a plinth facing to match the kitchen furniture or with one which can be ordered as a special accessory. The separate plinth facing can be height adjusted to suit the kitchen. The plinth return is freely adjustable.


Instructions for installing the dishwasher are described in the following sections.


An "i" model dishwasher can be converted into a built-under "U" dishwasher.

- A decor set GDU must be used.
- A plinth facing to cover the plinth area is supplied with the decor set. The plinth facing can be adjusted to match the height of adjacent plinths. The plinth return is freely adjustable.

The decor set is supplied with a separate installation booklet.

 To ensure stability, "i" and "U" model dishwashers must only be installed under a continuous worktop which must be securely screwed to neighbouring units.

 The dishwasher must not be installed under a hob. The high radiant temperatures which are sometimes generated by a hob could damage the dishwasher.

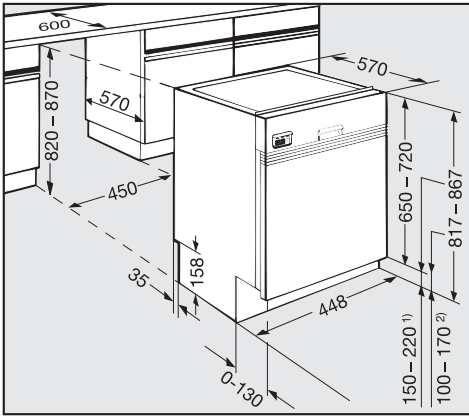
 On dishwashers with a drying fan, moist air is expelled through the vent outlet in the front of the machine at the end of a programme. It continues to be expelled for a certain length of time or until the door is opened.

To prevent damaging surrounding fittings (e. g. worktops with wood edging) the fan running time can be increased by 14 minutes (see "Additional functions" in the Operating Instruction manual for the machine).

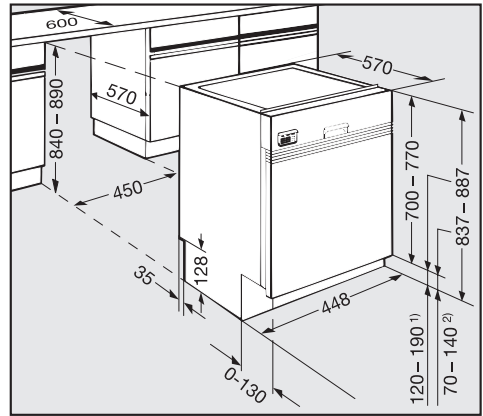
Installing integrated "i" Dishwashers

Building in dimensions

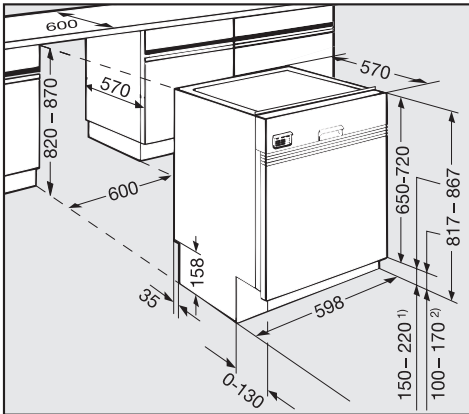
Dishwasher models G 601 - G 632



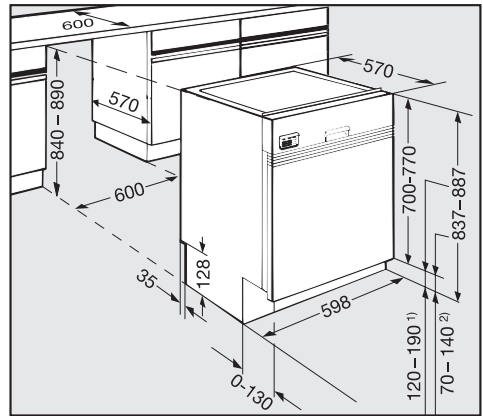
Dishwasher models G 801 - G 832



Dishwasher models G 636 - G 698, G 975



Dishwasher models G 836 - G 898



- 1) Niche height 870 mm
- 2) Niche height 820 mm

Adjustment range approx. 5 cm
(82 - 87 cm total height).

Extended machine feet are available at extra cost, (special accessory) where a machine height of 87 to 92 cm is required.

- 1) Niche height 890 mm
- 2) Niche height 840 mm


Adjustment range approx. 5 cm
(84 - 89 cm total height).

Extended machine feet are available at extra cost, (special accessory) where a machine height of 89 to 94 cm is required.

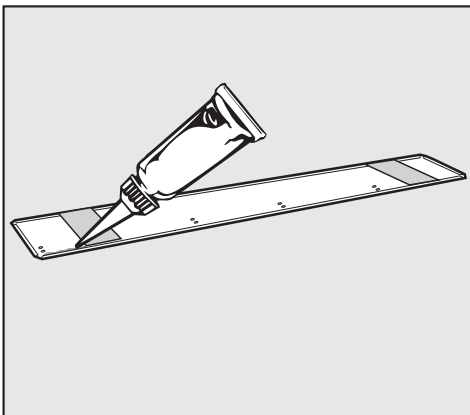
Installing integrated "i" Dishwashers

1. Fitting protective cover plate to worktop

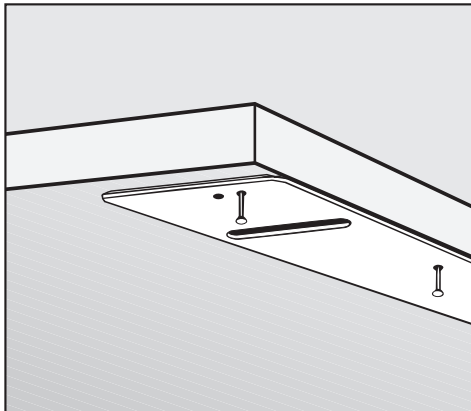
The underside of the worktop is protected against steam rising from the machine by a special cover plate.

 If two different materials meet up at the front edge of the worktop, then the joint must be concealed by the cover plate.

- Remove the protective backing from the cover plate.



- Squeeze sealant from the tube supplied all the way along the hollow moulding in the cover plate.
- Align the cover plate to the front edge of the worktop in the **middle** of the niche.



- Use the tacks supplied to nail the cover plate to the underside of the worktop.

Worktops with wood or laminate edging:

- Nail the tacks through the holes further back from the edge.
- Use soapy water to wipe off any excess sealant.

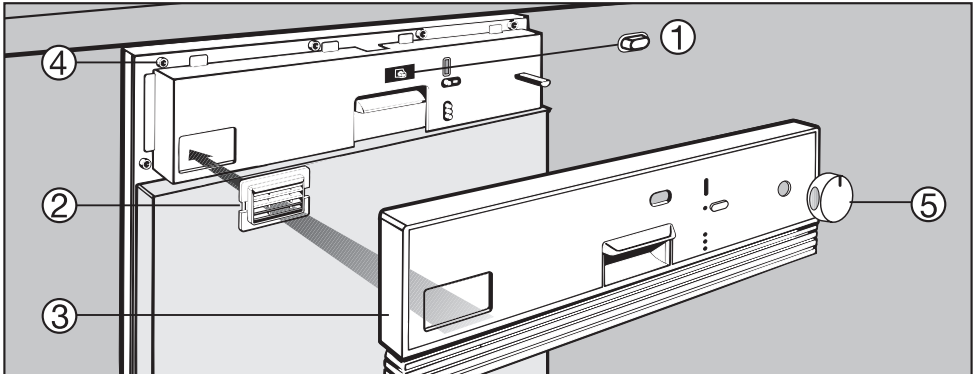
Installing integrated "i" Dishwashers

2. Fitting the facia panel

The dishwasher must not be used until the control panel has been correctly fitted.

Dishwashers with selector dial

(G 601 - G 624, G 638 - G 686, G 801 - G 824, G 838 - G 884, G 975)

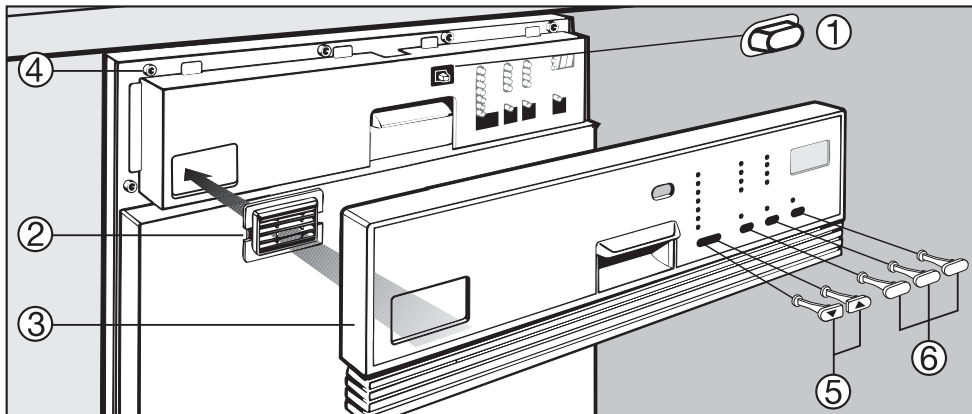


- Attach cap ① to push button switch.
- Push the ventilation grille ② (depending on model) into position so that the slats on the grille are facing downwards.
- Place the facia panel ③ in position and use the six screws ④ to screw in place through from the inside of the door.
- Attach selector ⑤.

Installing integrated "i" Dishwashers

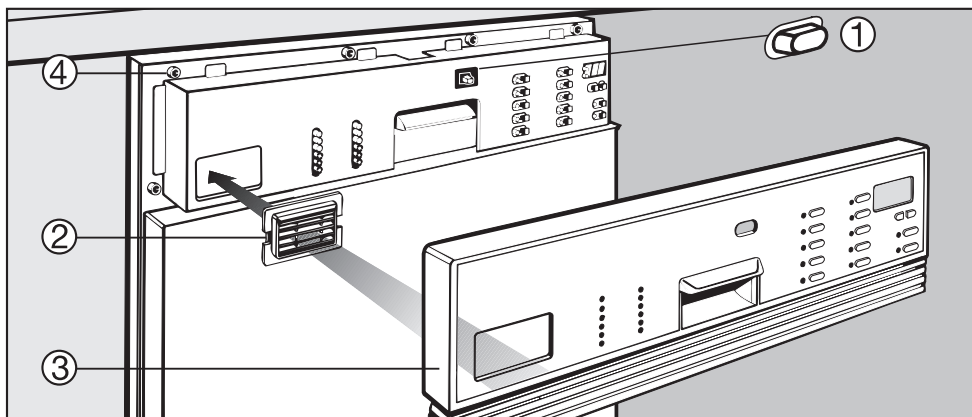
Dishwashers with programme selector buttons

(G 632, G 692 - G 696, G 832, G 892 - G 896)



- Attach cap ① to push button switch.
- Push the ventilation grille ② into position so that the slats on the grille are facing downwards.
- Place the facia panel ③ in position and use the six screws ④ to screw in place through from the inside of the door.
- Insert programme selector buttons ⑤ and function buttons ⑥ (the number of buttons will depend on model).

Dishwashers with programme buttons (G 698, G 898)



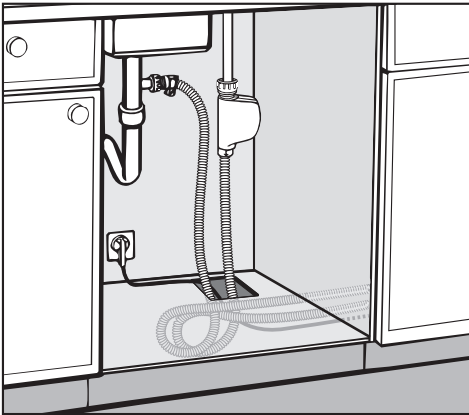
- Attach cap ① to push button switch.
- Push the ventilation grille ② into position so that the slats on the grille are facing downwards.
- Place the facia panel ③ in position and use the six screws ④ to screw in place through from the inside of the door.

Installing integrated "i" Dishwashers


3. Building the dishwasher into a niche

Connection to water and drainage should be sited beside and not behind the dishwasher for accessibility. Connections are usually made in the area under the sink. Many kitchen unit manufacturers provide a cut-out in the base of the sink base unit for the hoses to be fed through.

If the base unit has no opening and if there is not an opening through the plinth area for connections, one must be cut.



Dimensions: 60 x 110 mm.

 There must be no electrical sockets behind the dishwasher. Danger of overheating and fire risk if the dishwasher were to be pushed up against a plug.

Dishwasher height

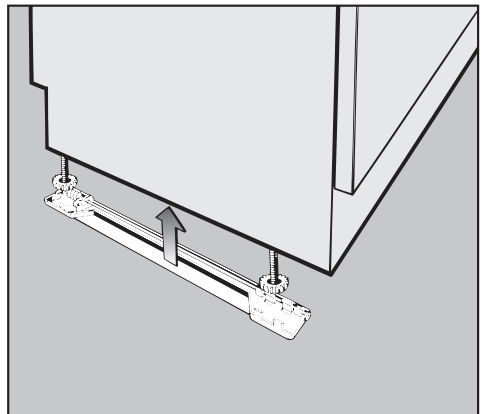
- Adjust the height manually before installing the dishwasher. Leave a space of approx. 5 mm below the worktop to allow the dishwasher to be pushed back easily into the recess. Make sure that the dishwasher stands level.

It is easier to adjust the screw feet if the weight of the dishwasher is not bearing down on them.

If possible tip the machine slightly.

Slides

You will find the slides in the upper basket of the dishwasher. They make installation of the dishwasher easier and protect the floor from possible damage when moving the appliance into and out of the recess. They are also used for adjusting the height of the rear screw feet.

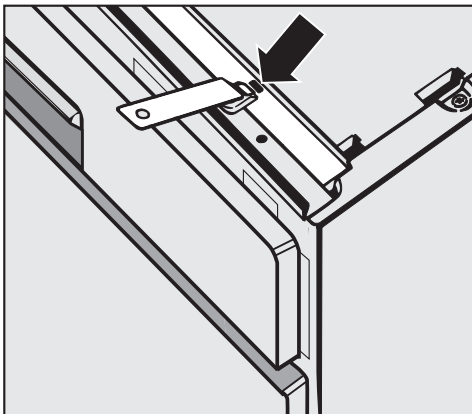


- Fit the slides - with the ratchet at the rear - under the screw feet.

Installing integrated "i" Dishwashers

Securing pieces

To ensure stability, the dishwasher must be fixed securely to the worktop (step 6). Two securing pieces are supplied for this purpose.



- Fit the securing pieces into the slots on both the left and right hand sides.

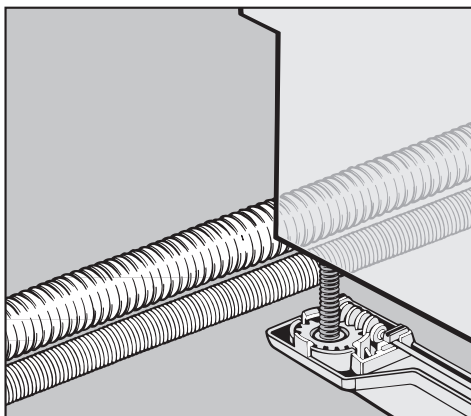
Granite and marble worktops:

With these worktops the dishwasher must be securely screwed to neighbouring units on the right and left hand sides. For this you will require two special fixing brackets (these are included in the accessory pack together with fitting instructions and screws).

Angle connector

The angle connector for the water drainage hose at the rear of the dishwasher can be turned.

- Turn the angle connector in the direction of the on-site connection for the drainage hose.

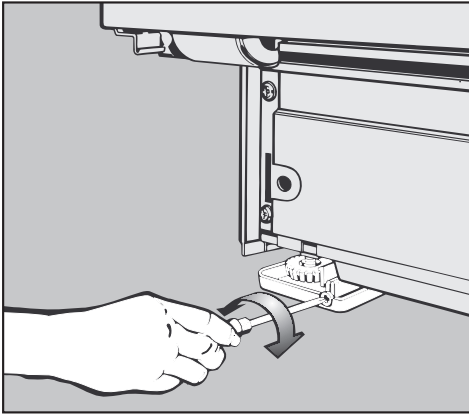


- Push the dishwasher right back into the recess. Ensure that the drain hose, inlet hose and the electric cable are laid to reach the connection point without any kinks.

Installing integrated "i" Dishwashers

Now adjust the feet until the seal on the top of the dishwasher is right up against the underside of the worktop, to which it will be screwed later. Ensure that the dishwasher stands level.

Rear screw feet



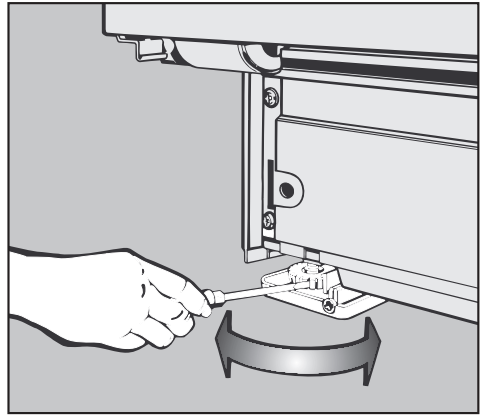
- Use a TORX T20 screwdriver to adjust the rear screw feet to the required height.

Higher = turn clockwise

Lower = turn anti-clockwise

Several turns are needed to adjust 1 mm in height.

Front screw feet



- Adjust the front screw feet manually or with a flat blade screwdriver.

Installing integrated "i" Dishwashers

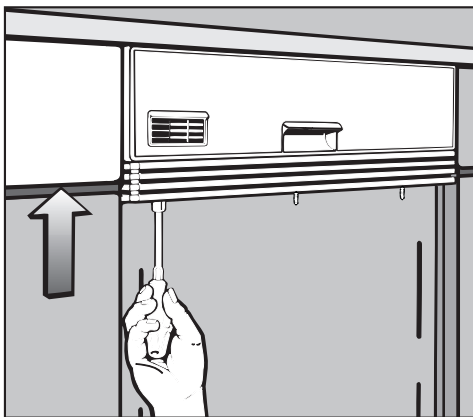
4. Matching the fascia panel to the height of adjacent drawer fronts

The fascia panel can be aligned with the drawer fronts by adjusting the spacer bars.

Adjustment range:

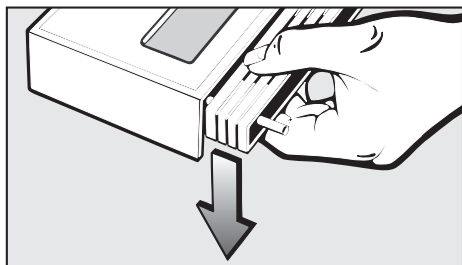
- from 112 mm: Facia panel without spacer bars
- to 145 mm: Facia panel with up to 4 spacer bars
- to 154 mm: when using an extra (fifth) spacer bar (special accessory at extra cost)

After adjustment cut off any protruding lengths of screws.



- Using an 8 mm socket spanner turn clockwise or anti-clockwise until the required height is reached.

If necessary some or all spacer bars can be removed.



- Press out the spacer bars from the fitting slits in the fascia panel.

Installing integrated "i" Dishwashers

5. Fitting the (matching) door front

Fixing brackets are already fitted on stainless steel door fronts. These fronts cannot be shortened.

(Go to "Fitting and securing the door front".)

The door of a kitchen base unit (without drawer front or fittings) is normally used for the door front.

If a kitchen door front is not available, a panel with the following dimensions may be used:

Width: depending on model

G 601 - G 632 } 440 - 447 mm

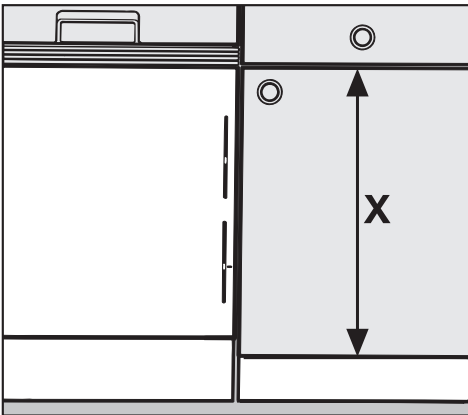
G 801 - G 832 }
G 636 - G 698, G 975 } 590 - 597 mm

Thickness:

the same thickness as the neighbouring door fronts but a minimum of 16 mm.

Height:

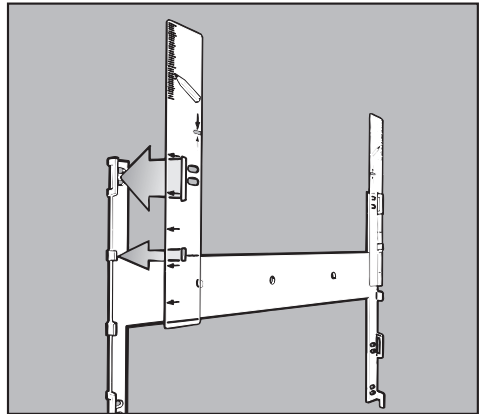
Dimension **X**



Fitting the fixing bracket

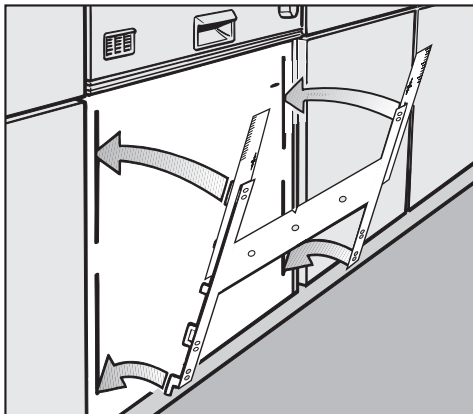
A fixing bracket must be fitted to the rear of the door front panel. This is then used for attaching the door front panel to the door outer panel on the machine.

Templates are provided to position the fixing bracket and the door front accurately.

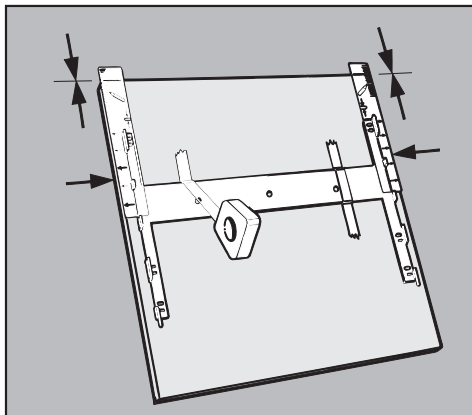


- On each side of the fixing bracket position a template with the rule markings facing outwards.

Installing integrated "i" Dishwashers

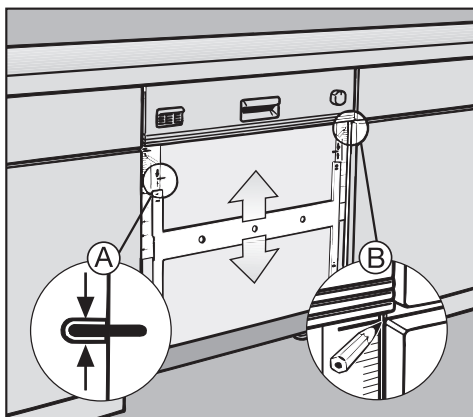


- Take off the fixing bracket.
- Lay the door front down with the rear side facing upwards.



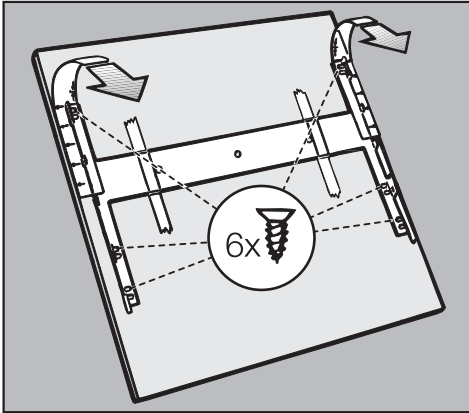
- Hang the fixing bracket into the slits in the machine door outer panel.
- Push the overhanging ends of the templates under the fascia panel.

- Lay the bracket on the rear side of the door front and adjust so that:
 - the marks on the template for the upper edge of the adjacent base unit doors match the top edge of the door front.
 - the fixing bracket must be the same distance from the left and right hand side edges of the door front.
- Use strips of adhesive tape to hold the bracket in this position.



- Adjust the fixing bracket (A):
The long holes in the machine outer door must be aligned with the matching markings on the template.
- Mark the height of the top edge of adjacent kitchen base unit doors on the template (B).

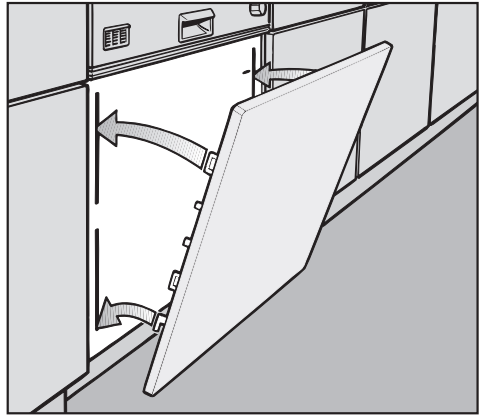
Installing integrated "i" Dishwashers



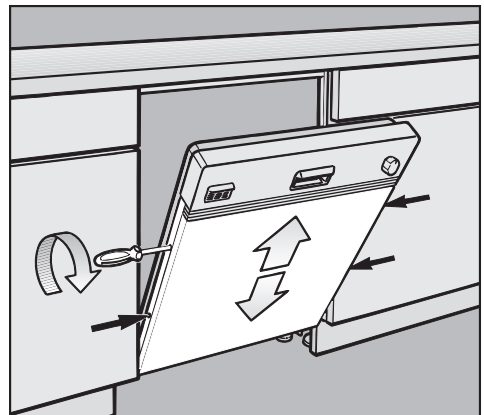
- Drill the fixing holes to a depth of about 10 mm, using a 2.5 mm drill bit.
- Secure the fixing bracket to the door front using the countersunk screws supplied.
- Take off the templates.

Keep the templates in case the dishwasher is ever fitted with a new door front.

Fitting and securing the door front



- Hang the door front into the slits in the machine door outer panel.




- Open the dishwasher door slightly.

Installing integrated "i" Dishwashers

- Adjust the door front height on one side and lightly screw in a T20 Torx screw on this side.
- Adjust the door front height on the other side and also lightly screw in a T20 Torx screw on this side.
- Close the dishwasher door.
- Check the alignment of the door panel.
- If it is not correctly aligned you may need to loosen the screws and re-adjust it to the correct alignment.

Once the door front is correctly positioned:

- Open the dishwasher door.
- Tighten all the Torx screws on the sides.
- Plug the openings for the fixing screws using the plastic stoppers provided.

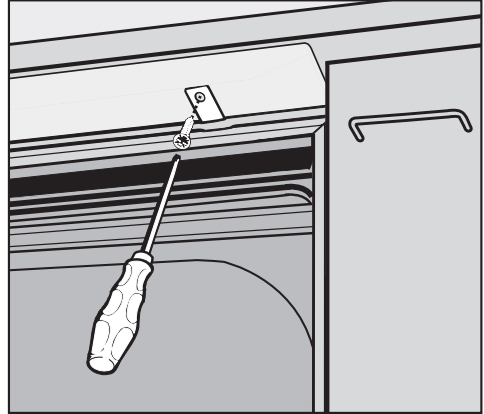
 Door fronts differ in weight and it is therefore essential that the door springs are adjusted after the door front has been fitted. See Step 7.

Installing integrated "i" Dishwashers

6. Securing the dishwasher

- Open the dishwasher door.

The holes in the securing pieces must line up with the long holes in the worktop cover plate. If this is not the case, adjust the position of the dishwasher in the niche (ensure that the dishwasher is the same distance from the neighbouring kitchen units on the right and left hand sides and line the dishwasher door front up with neighbouring door fronts).



- Screw the countersunk screws (3.9 x 22) supplied upwards through the securing pieces on the left and right hand sides into the work surface to secure the dishwasher.

Ensure that the seal on the top edge of the dishwasher fits directly against the worktop. If this is not the case, adjust the height adjustable feet some more (see Step 3).

Installing integrated "i" Dishwashers

7. Adjusting the door springs

The door springs are correctly adjusted when the door remains stationary when left open at 45 °.

If the door drops down, then the door springs need to be tightened.

If it closes then the springs need to be loosened.

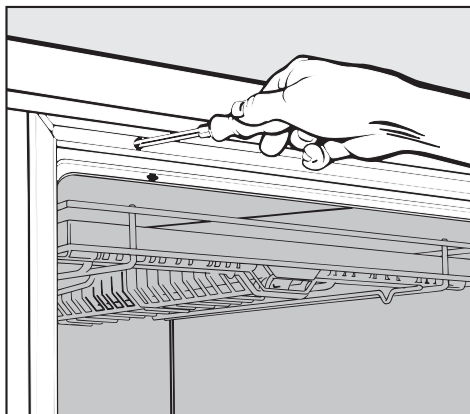
The adjusting screw is located in the upper front strip at the left hand side of the dishwasher.

Please note:

If the door front is too heavy for the door springs (i.e. the door falls open) then stronger springs should be fitted. Please contact your Miele dealer or the Miele Spare Parts Department for advice.

- Half open the dishwasher door.

The door springs are easier to adjust when the door is only half open than when it is fully open.

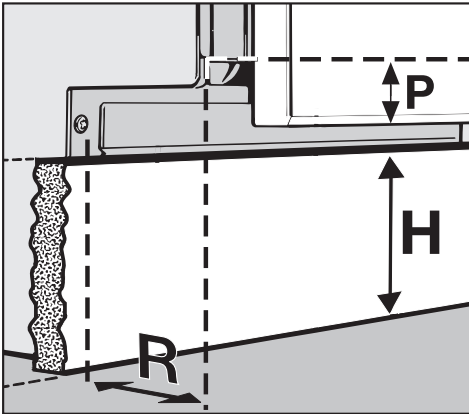


- Adjust the door spring with a Torx T20 or a 1 x 5.5 mm screwdriver until it is correctly balanced:
 - Turn clockwise = tighten
 - Turn anti-clockwise = loosen.

Installing integrated "i" Dishwashers

8. Matching the plinth facing of a kitchen run

The plinth area of the dishwasher is normally covered with a plinth run matching the kitchen furniture.



The height (**H**) of the plinth facing in front of the dishwasher depends on the plinth return (**R**) and how much the door front extends below the dishwasher door (**P**).

- Place the plinth facing directly in front of the kitchen run but do not attach.
- Carefully open the dishwasher door. If the door front comes into contact with the kitchen plinth when the dishwasher door is opened the plinth facing in the area behind the dishwasher door needs to be cut to size.
- To do this mark where the edge of the door front comes into contact with the plinth facing.
- Cut the plinth facing to size along this line.
- Place the plinth facing in front of the kitchen run again and check whether the dishwasher door can be opened fully. If it cannot, trim the plinth facing again until the correct size is achieved.
- Secure the plinth facing to the adjacent kitchen units in accordance with the kitchen furniture manufacturer's instructions.

If your kitchen does not have a plinth run matching the kitchen furniture, the plinth area can be covered with a separate plinth kit, available at extra cost (special accessory).


Installing built-under "U" model dishwashers


Built-under "U" model dishwashers


"U" model dishwashers are specially designed for installing under a continuous worktop.

- The dishwasher is supplied with the control panel already fitted.
- The height of the dishwasher front panel can be adjusted to match those of neighbouring kitchen units. The decor panel supplied with the dishwasher can be taken out and replaced with a panel to match the rest of your kitchen.
- A plinth facing to cover the plinth area is supplied with the dishwasher. The height of the plinth facing can be adjusted to match the height of adjacent plinths. The plinth return is freely adjustable.

Instructions for installing the dishwasher are described in the following sections.

 To ensure stability, "U" model dishwashers must only be installed under a continuous worktop which is securely screwed to neighbouring units.

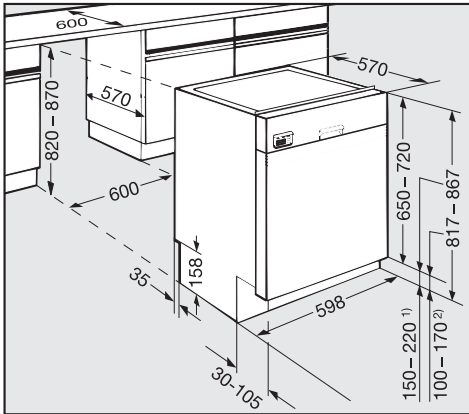
 The dishwasher must not be installed under a hob. The high radiant temperatures which are sometimes generated by a hob could damage the dishwasher.

 On dishwashers with a drying fan, moist air is expelled through the vent outlet in the front of the machine at the end of a programme. It continues to be expelled for a certain length of time, or until the door is opened.
To prevent damaging surrounding fittings (e. g. worktops with wood edging) the fan running time can be increased by 14 minutes (see the Operating Instruction manual for the dishwasher).

Installing built-under "U" model dishwashers

Building in dimensions:

Dishwasher models G 636 - G 698 G 975



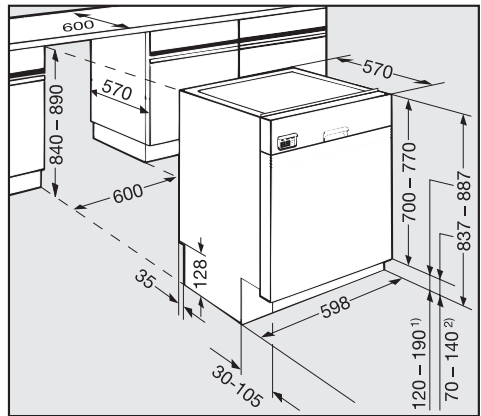
1) Niche height 870 mm

2) Niche height 820 mm

Adjustment range approx. 5 cm (82 - 87 cm total height).

Extended machine feet are available at extra cost, (special accessory) if you wish to increase the machine height to between 87 and 92 cm.

Dishwasher models G 836 - G 898



1) Niche height 890 mm

2) Niche height 840 mm


Adjustment range approx. 5 cm (84 - 89 cm total height).

Extended machine feet are available at extra cost, (special accessory) if you wish to increase the machine height to between 89 and 94 cm.

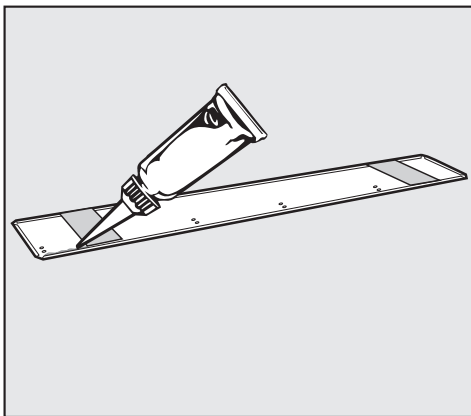
Installing built-under "U" model dishwashers

1. Fitting protective cover plate to worktop

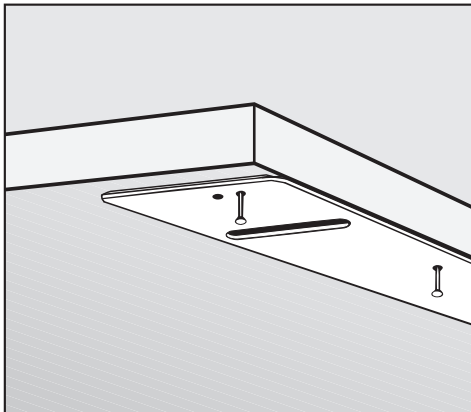
The underside of the worktop is protected against steam rising from the machine by a special cover plate.

 If two different materials meet up at the front edge of the worktop, then the joint must be concealed by the cover plate.

- Remove the protective backing from the cover plate.



- Squeeze sealant from the tube supplied all the way along the hollow moulding in the cover plate.
- Align the cover plate to the front edge of the worktop in the **middle** of the niche.



- Use the tacks supplied to nail the cover plate to the underside of the worktop.

Worktops with wood or laminate edging:

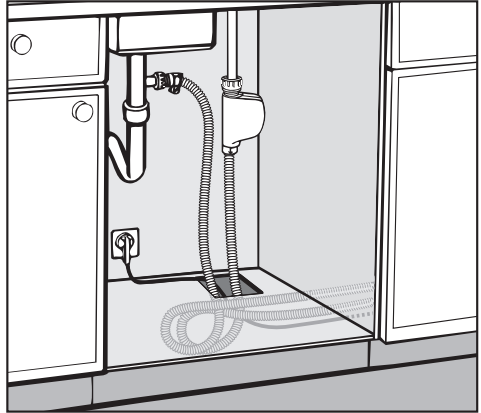
- Nail the tacks through the holes which are further back from the edge.
- Use soapy water to wipe off any excess sealant.

Installing built-under "U" model dishwashers


2. Building the dishwasher into its niche

Connection to water and drainage should be sited beside and not behind the dishwasher for accessibility. Connections are usually made in the area under the sink. Many kitchen unit manufacturers provide a cut-out in the base of the sink base unit for hoses to be fed through.

If the base unit has no opening and if there is not an opening through the plinth area for connections, one must be cut.



Dimensions: 60 x 110 mm.

 There must be no electrical sockets behind the dishwasher. Danger of overheating and fire risk if the dishwasher were to be pushed up against a plug.

Some of the following steps require the dishwasher to be pulled forward a little way out of the niche. The plumbing and electrical points should not be connected until you have finished installing the dishwasher in its niche.

Installing built-under "U" model dishwashers

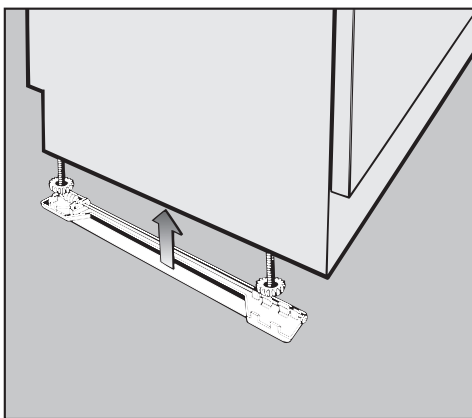
Dishwasher height

- Adjust the height of the dishwasher manually before installing the dishwasher.
Leave a space of approx. 5 mm below the worktop to allow the dishwasher to be pushed back easily into the recess. Make sure that the dishwasher stands level.

It is easier to adjust the screw feet if the weight of the dishwasher is not bearing down on them.
If possible tip the machine slightly.

Slides

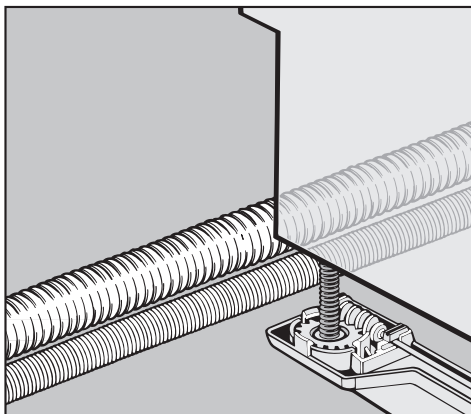
You will find the slides in the upper basket of your dishwasher. They make installation of the dishwasher easier and protect the floor from possible damage when moving the appliance into and out of the recess. They are also used for adjusting the height of the rear screw feet.



- Fit the slides - with the ratchet at the rear - under the screw feet.

The angle connector for the water drainage hose at the rear of the dishwasher can be turned.

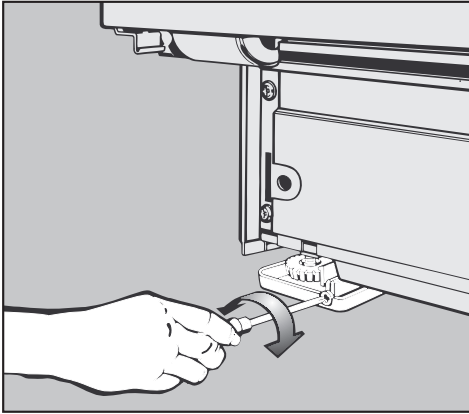
- Turn the angle connector in the direction of the on-site connection for the drainage hose.



- Push the dishwasher right back into the recess. Ensure that the drain hose, inlet hose and the electric cable are laid to reach the connection point without any kinks.

Installing built-under "U" model dishwashers

Screw feet

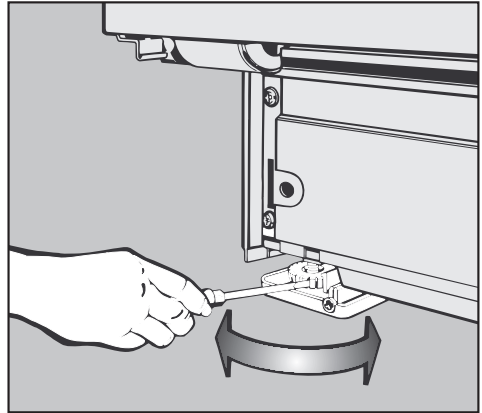


- Use a TORX T20 screwdriver to adjust the rear screw feet to the required height.

Higher = turn clockwise

Lower = turn anti-clockwise

Several turns are needed to adjust 1 mm in height.



- Adjust the front screw feet manually or with a flat blade screwdriver.

Screw the feet out until the seal on the dishwasher is right up against the underside of the worktop, to which it will be screwed later. Ensure that the dishwasher stands level.

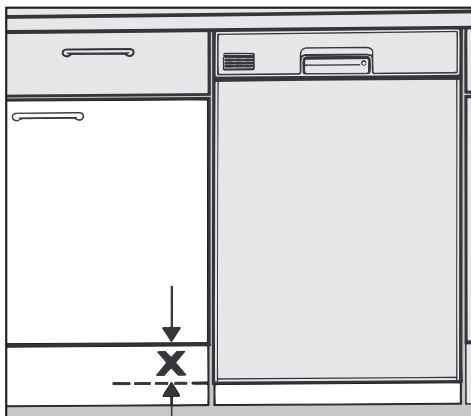
Installing built-under "U" model dishwashers

3. Calculate the decor panel height

The height of the dishwasher front panel can be adjusted to match neighbouring kitchen units. To do this you will have to trim the decor panel, the filler card underneath it and the decor frame strips to size.

If you wish you can fit a decor panel to match your kitchen furniture instead of the one supplied with the machine. To do this you will need a new decor panel cut to the correct size (see "Calculating the height of a new decor panel" section on the next page).

Before calculating the height of the decor panel you must first set the dishwasher to its correct height (see step 2 "Building the dishwasher into its niche").



Measurement **X** equals the distance from the lower edge of the dishwasher door to the lower edge of an adjacent kitchen unit door front.

The decor panel supplied with the dishwasher is 604 mm high. To match the height of the panel supplied or create a new decor panel this measurement needs to be shortened by dimension **X**.

Installing built-under "U" model dishwashers

Adapting the height of the decor panel supplied

- Mark the measurement **X** on the left and right hand side of the decor panel and on the decor frame strips.
- Take off and shorten the decor frame strips, the decor panel and the filler card (see Step 4).

Calculating the height of a new decor panel

You can substitute the decor panel supplied with the dishwasher with a panel to match your kitchen decor.

The dimensions for the new panel must be as follows:

Width:

587 mm

Thickness:

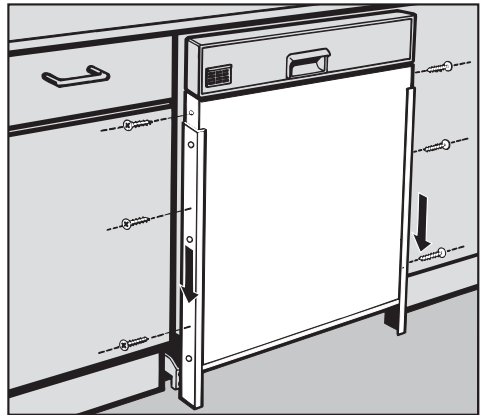
minimum 1 mm and maximum 4 mm.
The filler card fitted behind the decor panel supplied with the machine is not required for new panels if they are 2 mm or more in thickness.

Height:

604 mm less dimension **X** mm

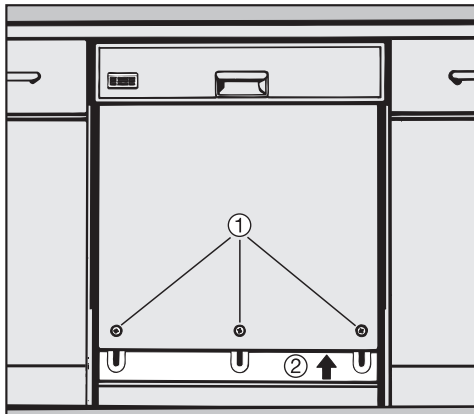
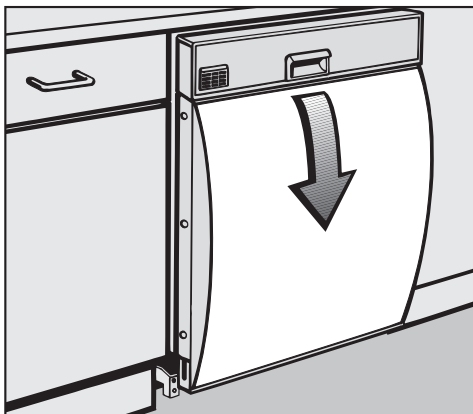
- Mark dimension **X** on the left and right hand side of the decor frame strips.
- Take off the decor frame strips, the decor panel and the filler card, and shorten the decor frame strips, and the filler card (if used). See Step 4.

4. Matching the plinth facing of a kitchen run




- Pull the dishwasher out of its recess enough to allow easy access to the front panel fixing screws on either side of the door.
- Loosen and remove the fixing screws and push the side decor frame strips downwards until they are free of the dishwasher outer door panel and can be removed.

Installing built-under "U" model dishwashers

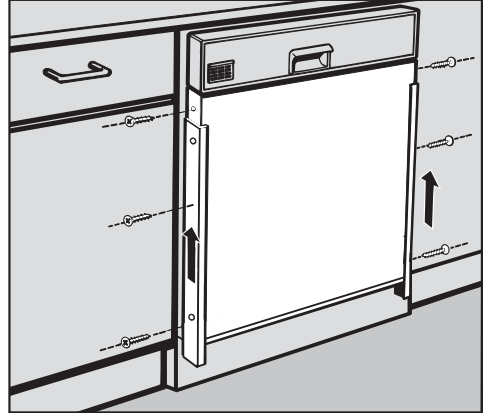
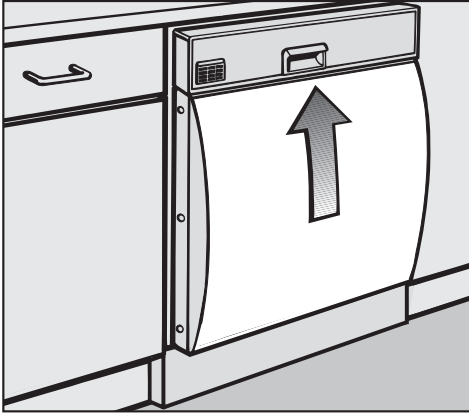


- Bow the panel slightly, pull it out from under the control panel and take it off.
- Shorten the decor frame strips, and the filler card (if used) by dimension **X**.
- When using the decor panel supplied: Draw a line to join the two marks for measurement **X**. Shorten the decor panel along this line.
- Loosen the screws ① in the door outer panel, but do not unscrew completely.
- Push the lower edge of the adapter plate ② (corresponding to dimension **X**) upwards far enough for its lower edge to be in a line with the lower edge of the adjacent kitchen unit door front(s).
- Tighten the screws ① in the adapter plate.

 To avoid the risk of scratching the decor panel and decor frame strips you can cover the cutting lines with adhesive tape. Make sure that you use a tool which is suitable for cutting the material from which the panel and decor frame strips are made. If in doubt seek professional advice. Sand down any rough edges.

When the decor frame strips are shortened, the hook on the lower edge is cut off. This hook is only needed for maximum length decor frame strips. It is used for securing the strips to the door outer panel.

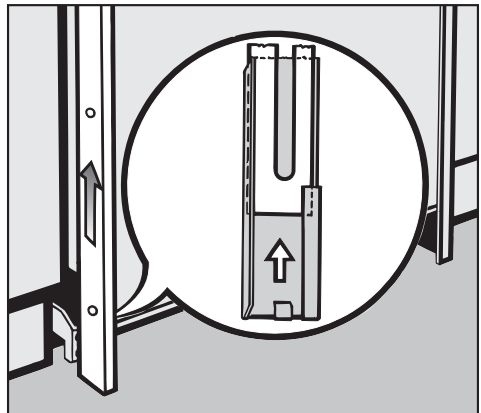
Installing built-under "U" model dishwashers



- Refit the filler card (if used) and the decor panel. Fit the decor panel into the lower decor frame strip, position the filler card behind it, bow the decor panel forwards and slide under the control panel.
- Ensure the decor panel is fitted correctly. If necessary, re-adjust the height of the adapter plate.

- Put back the left and right hand side decor strips and push them up over the adapter plate from below.

The adapter plate must grip the guide groove at the rear edge of the decor frame strip.

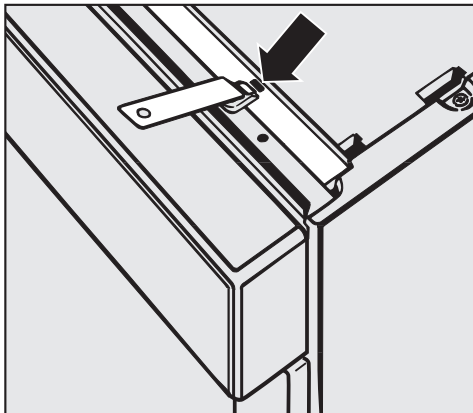


- Screw in the fixing screws into the decor frame strips.

Installing built-under "U" model dishwashers

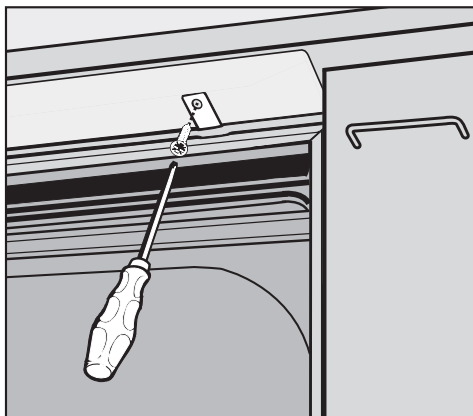
5. Securing the dishwasher

To ensure stability, the dishwasher must be fixed securely to the worktop. Two securing pieces are supplied with the dishwasher for this purpose.



- Fit the securing pieces into the slots on both the left and right hand sides.
- Push the dishwasher right back into its recess (making sure it is correctly aligned).
- Open the dishwasher door.

The holes in the securing pieces must line up with the long holes in the worktop cover plate. If this is not the case, adjust the position of the dishwasher in the niche (ensure that the dishwasher is the same distance from the neighbouring kitchen units on the right and left hand sides and line the dishwasher door front up with neighbouring door fronts).



- Screw the countersunk screws (3.9 x 22) supplied upwards through the securing pieces on the left and right hand sides into the work surface to secure the dishwasher.

Ensure that the seal on the top edge of the dishwasher fits directly against the worktop. If this is not the case, adjust the feet a bit more (see step 2 "Screw feet").

Granite and marble worktops:

With these worktops the dishwasher must be securely screwed to neighbouring units on the right and left hand sides. To do this you need two special fixing brackets. These are included in the accessory pack supplied with the dishwasher together with fitting instructions.

Installing built-under "U" model dishwashers

6. Adjusting the door springs

The door springs are correctly adjusted when the door remains stationary when left open at 45°.

If the door drops down, the door springs need to be tightened.

If the door rises up the springs need to be loosened.

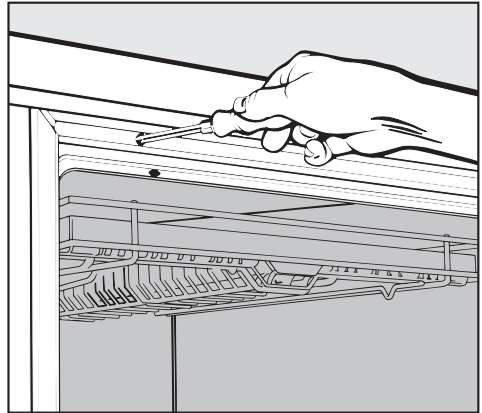
The adjusting screw is located in the upper front strip at the left hand side of the dishwasher.

Please note:

If the door front is too heavy for the door springs (i.e. the door falls open) then stronger springs should be fitted. Please contact your Miele dealer or the Miele Service Department for advice.

- Half open the dishwasher door.

The door springs are easier to adjust when the door is only half open than when it is fully open.



- Adjust the door spring with a Torx T20 or a 1 x 5.5 mm screwdriver until it is correctly balanced:
 - Turn clockwise to tighten.
 - Turn anti-clockwise to loosen.

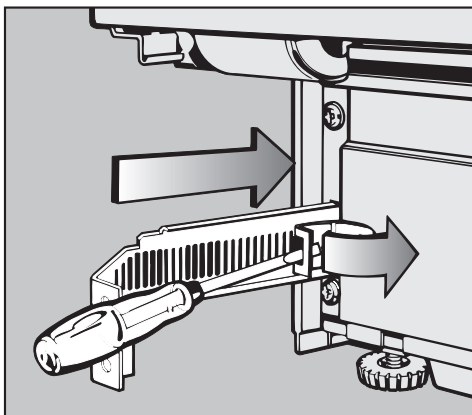
Installing built-under "U" model dishwashers

7. Adjusting the plinth return

The plinth return on a "U" model dishwasher can be adjusted between 35 and 100 mm in 2.5 mm increments.

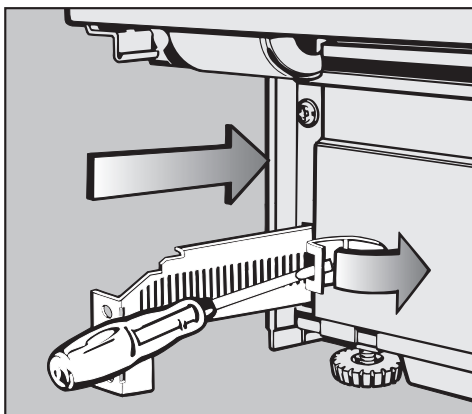
- Push the spring clips on either side of the dishwasher outwards and push the brackets right in.

**On dishwashers G 636 - G 698
G 975**



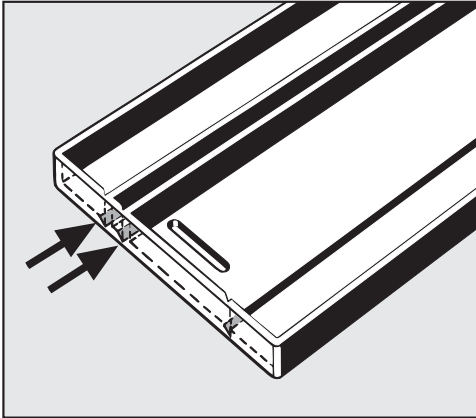
The fixing brackets face inwards.

On dishwashers G 836 - G 898



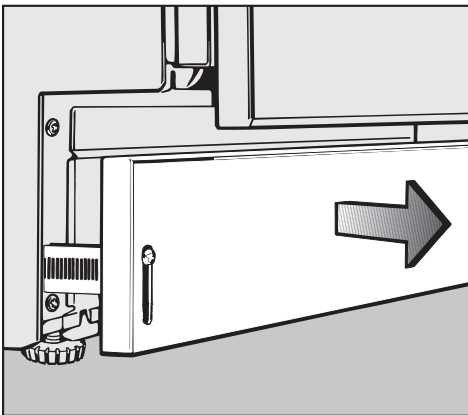
The fixing brackets face outwards.

Installing built-under "U" model dishwashers



If you have pulled the plinth facing out too far you must not attempt to push it back in. It will have to be unscrewed and taken off. The spring clips can then be pushed outwards and the brackets pushed back in. The facing can then be re-attached and adjusted again.

The plinth facing has two cutting lines.



- Screw the plinth facing on to the brackets with the cutting lines towards the top. Then pull the facing out evenly to align it with plinth facings on adjoining kitchen cabinets.

Installing built-under "U" model dishwashers

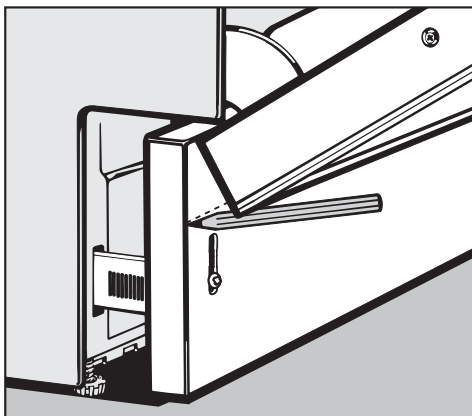
8. Matching the plinth facing of a kitchen run

The plinth facing supplied will fit without modification:

- for a maximum plinth return of 100 mm
- and when the machine is set to its maximum height (feet fully extended - max. 5 cm).

If the machine height is lower than the maximum, and the plinth recess is less than 100 mm, the plinth facing will need to be trimmed to size.

To prevent the door hitting the plinth facing when the dishwasher door is opened the height of the plinth facing has to be adjusted to suit the height of the dishwasher and the depth of the plinth return.



- Carefully open the dishwasher door until the rear bottom edge of the dishwasher door touches the plinth facing.

- Using the front lower edge of the dishwasher door as a guide, draw a horizontal line across the plinth facing.

- Unscrew the plinth facing.

- To shorten the plinth facing:

- either trim along this line with a saw;

or


- cut along one of the cutting lines if it is close enough to the line you have drawn.


Score the cutting line along the plinth facing and then break off the excess.

- Screw the plinth facing back onto the brackets, with the cutting line at the bottom.

If the door still does not open smoothly the plinth facing may need further trimming.

Electrical connection

 Please follow the installation instructions carefully. All electrical work should be carried out only by a suitably qualified and competent person, in strict accordance with national and local safety regulations. Ensure power is not supplied to the appliance while installation work is being carried out.

 If the connection cable is damaged it must be replaced with a complete connection box and cable by a Miele approved service technician only.

This dishwasher is supplied with a mains cable and moulded plug ready for connection to an a.c. single phase supply, (230 -240 V 50 Hz for the UK and Australia) via a fused plug and suitable switched socket which is easily accessible after installation.

- The voltage, rated load and fuse rating are given on the data plate located above the door. Please ensure that these match the household mains supply.
- For extra safety it is advisable to install a residual current device (RCD), with a trip current of 30 mA (in accordance with DIN VDE 0664, VDE 0100 Section 739).
- Do not connect via an extension lead. Danger of overheating.

Important

If this machine is fitted with a non-rewireable plug (BS 1363) and the socket outlets are not suitable for the plug supplied or if the existing plug needs to be replaced by a new one, the old plug will need to be cut off and an appropriate plug fitted. The fuse carrier and the fuse should be removed from the old plug and disposed of.

The plug cut from the cable should then be disposed of and on no account be inserted into any socket elsewhere in the house (electric shock hazard).

The fuse cover must be refitted when changing the fuse, and if the fuse cover is lost, the plug must not be used until a suitable replacement is obtained. The colour of the correct replacement cover is that of the coloured insert in the base of the plug, or the colour that is embossed in words on the base of the plug (as applicable to the design of plug fitted).

The correct fuse rating of the replacement fuses that are ASTA approved to BS 1362 should be fitted. Replacement fuse covers may be purchased from your local electrical supplier or Miele Service Agent.

The wires in the mains lead are coloured in accordance with the following code:

Green/yellow = earth

Blue = neutral

Brown = live


If the colours of the wires in the mains lead of this appliance do not correspond with the coloured markings identifying the terminals of your plug, proceed as follows:

- The wire which is coloured green and yellow must be connected to the terminal in the plug which is marked with the letter E or by the earth symbol \perp or coloured green, or green and yellow.
- The wire which is coloured blue must be connected to the terminal in the plug which is marked with the letter N or coloured black.
- The wire which is coloured brown must be connected to the terminal in the plug which is marked with the letter L or coloured red (UK), or marked with the letter A (AUSTRALIA).

WARNING:
THIS APPLIANCE
MUST BE EARTHED

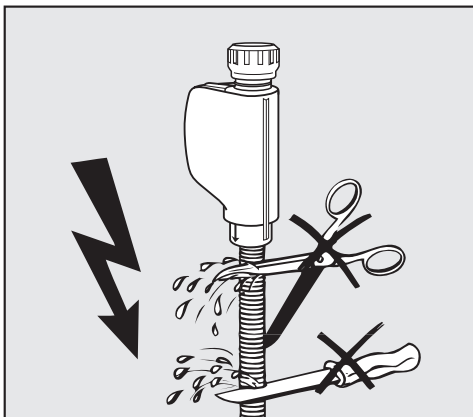
Plumbing


Connection to the water inlet

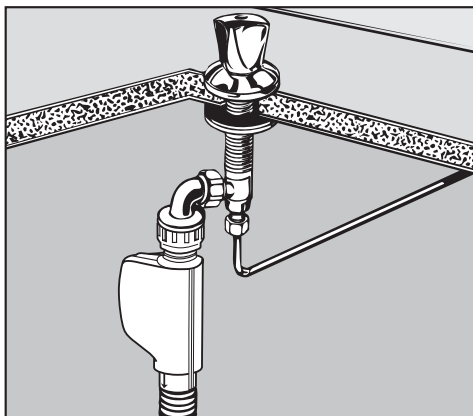
 Water in the dishwasher must not be used as drinking water.

- The dishwasher may be connected to a cold or hot water supply, max. 60 °C. When connected to a hot water supply all programme stages which would otherwise be carried out with cold water (pre-wash and interim rinse) as well as the Pre-wash programme will be carried out with hot water.
- The programme "Energy save" (without heater) needs connection to a hot water supply with a temperature of at least 45 °C.
- The inlet hose is approx. 1.5 m long; a longer hose (4 m), or a 1.5 m long flexible metal hose tested to withstand pressure of 140 bar may be bought from the Miele Spare Parts Dept.
- A stopcock with a 3/4 " male thread must be provided on site.
- The dishwasher is constructed to comply with DVGW regulations, and may be connected to a suitable supply without an extra non-return valve if national regulations allow this.
- The water pressure (flow pressure at the take-off point) must be between 0.3 and 10 bar. If the water pressure is too low the Water "inlet" or "inlet / drain" light (depending on model) may light up, (see "Problem solving guide" in the Operating Instruction booklet).

If the water pressure is too high, a pressure reducer valve must be fitted.



 The inlet hose must **not** be shortened or damaged in any way as it contains electrical components (see illustration).



If the stopcock is situated in the worktop, a special angle connector can be ordered from the Miele Spare Parts Dept. (Part No. 04 274 820).

Drainage

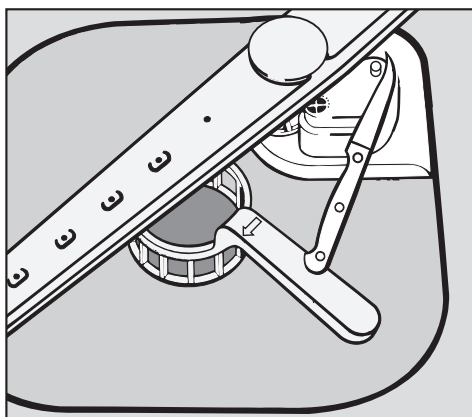
- The machine drainage system is fitted with a non-return valve, which prevents dirty water from flowing back into the machine via the drain hose.
- The dishwasher is supplied with an approx. 1.5 m long flexible drain hose with an internal diameter of 22 mm.
- The drain hose can be extended using a connection piece and an extra drain hose, (up to max. 4 metres).
- A hose clip is supplied for connecting the drain hose to the on-site drainage outlet.
- The connection socket on the dishwasher can be turned. The hose can thus be laid to the right or left without needing to loosen the hose clip supplied.
- The drain system must not exceed 4 metres. The drain pump has a maximum delivery head of 1 metre.
- The on-site water pipe connection for the drain hose may be designed to fit more than one diameter of hose. The connection socket must be shortened if it juts too far into the drain hose. Otherwise the drain hose can become blocked.
- The drain hose must not be shortened.
- Ensure that the drain hose is laid so that it is free from kinks.

Venting the drainage system

- Open the dishwasher door fully.

If the site drain connection is situated lower than the guide path for the bottom basket rollers in the open door the drainage system must be vented. Otherwise a siphoning effect during a programme can cause the machine to empty itself of water.

To vent:



- Cut off the top of the vent valve in the wash cabinet.

Optional accessories

"i"- Integrated dishwashers

If you would like to...

you will need to order...

...convert an integrated ("i") dishwasher to a built under "U" model

...a GDU decor set conversion kit
available in: white
dark brown
black

... build the dishwasher into a kitchen which does not have a matching plinth run

...a separate plinth kit
available in: white
black

... adjust the height of the dishwasher to between 87 cm and 92 cm (G 601 - G 632, G 636 - G 698, G 975) or between 89 cm and 94 cm (G 801 - G 832, G 836 - G 898)

...a kit with extended machine feet

...to match the facia panel of the dishwasher to adjacent drawer fronts with dimensions of between 145 mm and 154 mm

...a spacer bar
available in: white
dark brown
black
stainless steel

Built-under "U" model dishwashers

If you would like to ...

you will need to order ...

...adjust the height of the dishwasher to between 87 cm and 92 cm

...a kit with extended machine feet

Freestanding dishwasher

If you would like to...

You will need to order ...

...convert a freestanding dishwasher to a built under "U" model

...a UBS conversion kit

Technical data

Dishwasher model	G 601 - G 632	G 801 - G 832
Height Freestanding	84.7 cm (adjustable + 2.0 cm)	-
Height built-in models	81.7 cm (adjustable + 5.0 cm)	83.7 cm (adjustable + 5.0 cm)
Height of building in recess	82 cm (+ 5.0 cm)	84 cm (+ 5.0 cm)
Width	44.8 cm	44.8 cm
Width of building in recess	45 cm	45 cm
Depth:		
Freestanding models	60 cm	-
Built-in models	57 cm	57 cm
Depth with open door:		
Freestanding models	118.5 cm	-
Built-in models	115.5 cm	120.5 cm
Weight:		
Freestanding model	approx. 54 kg	-
Built-in models	approx. 48 kg	approx. 49 kg
Voltage		
Rated load	see data plate on the top of the door	
Fusing		
Test marks	VDE, Radio and Television suppressed	VDE, Radio and Television suppressed
Water pressure (flow pressure)	0.3 - 10 bar pressure	0.3 - 10 bar pressure
Hot water connection	max. 60 °C	max. 60 °C
Delivery head	max. 1 m	max. 1 m
Drainage length	max. 4 m	max. 4 m
Connection cable	approx. 1.7 m	approx. 1.7 m
Capacity	8 place settings	9 place settings

Technical data

Dishwasher model	G 636 - G 645, G 975
Height Freestanding	84.7 cm (adjustable + 4.0 cm)
Height built-in models	81.7 cm (adjustable + 5.0 cm)
Height of building in recess	82 cm (+ 5.0 cm)
Width	59.8 cm
Width of building in recess	60 cm
Depth: Freestanding models Built-in models	60 cm 57 cm
Depth with door open: Freestanding models Built-in models	118.5 cm 115.5 cm
Weight: Freestanding models Freestanding models SC# Built-under models Built-under models SC # Integrated models Integrated models SC#	approx. 60 kg approx. 61.5 kg approx. 56 kg approx. 57.5 kg approx. 51.5 kg approx. 53 kg
Voltage	
Rated load	see data plate on the top of the door
Fuse rating	
Test marks	VDE, Radio and Television suppressed
Water pressure (flow pressure)	0.3 - 10 bar pressure
Hot water connection	max. 60 °C
Delivery head	max. 1 m
Drainage length	max. 4 m
Connection cable	approx. 1.7 m
Capacity	12 place settings

SC# = Dishwashers with cutlery tray

Technical data

Dishwasher model	G 646 - G 657, G 692	G 846 - G 857, G 892
Height Freestanding	84.7 cm (adjustable + 4.0 cm)	-
Height built-in models	81.7 cm (adjustable + 5.0 cm)	83.7 cm (adjustable + 5.0 cm)
Height of building in recess	82 cm (+ 5.0 cm)	84 cm (+ 5.0 cm)
Width	59.8 cm	59.8 cm
Width of building in recess	60 cm	60 cm
Depth:		
Freestanding models	60 cm	-
Built-in models	57 cm	57 cm
Depth with door open:		
Freestanding models	118.5 cm	-
Built-in models	115.5 cm	120.5 cm
Weight:		
Freestanding models	approx. 61.5 kg	-
Freestanding models SC#	approx. 63 kg	-
Built-under models	approx. 57.5 kg	approx. 59.5 kg
Built-under models SC #	approx. 59 kg	approx. 61 kg
Integrated models	approx. 53.5 kg	approx. 55 kg
Integrated models SC#	approx. 55.5 kg	approx. 56.5 kg
Voltage		
Rated load	see data plate on the top of the door	
Fuse rating		
Test marks	VDE, Radio and Television suppressed	VDE, Radio and Television suppressed
Water pressure (flow pressure)	0.3 - 10 bar pressure	0.3 - 10 bar pressure
Hot water connection	max. 60 °C	max. 60 °C
Delivery head	max. 1 m	max. 1 m
Drainage length	max. 4 m	max. 4 m
Connection cable	approx. 1.7 m	approx. 1.7 m
Capacity	12 place settings	14 place settings

SC# = Dishwashers with cutlery tray

Technical data

Dishwasher model	G 681 - G 689 G 693 - G 698	G 881 - G 889 G 893 - G 898
Height Freestanding	84.7 cm (adjustable + 4.0 cm)	-
Height built-in models	81.7 cm (adjustable + 5.0 cm)	83.7 cm (adjustable + 5.0 cm)
Height of building in recess	82 cm (+ 5.0 cm)	84 cm (+ 5.0 cm)
Width	59.8 cm	59.8 cm
Width of building in recess	60 cm	60 cm
Depth:		
Freestanding models	60 cm	-
Built-in models	57 cm	57 cm
Depth with door open:		
Freestanding models	118.5 cm	-
Built-in models	115.5 cm	120.5 cm
Weight:		
Freestanding model	approx. 64 kg	-
Freestanding model SC [#]	approx. 65.5 kg	-
Built-under models	approx. 60 kg	approx. 60.5 kg
Built-under models SC [#]	approx. 61.5 kg	approx. 62 kg
Integrated models	approx. 55.5 kg	approx. 56 kg
Integrated models SC [#]	approx. 57 kg	approx. 57.5 kg
Voltage		
Rated load	see data plate on the top of the door	
Fusing		
Test marks	VDE, Radio and Television suppressed	VDE, Radio and Television suppressed
Water pressure (flow pressure)	0.3 - 10 bar pressure	0.3 - 10 bar pressure
Hot water connection	max. 60 °C	max. 60 °C
Delivery head	max. 1 m	max. 1 m
Drainage length	max. 4 m	max. 4 m
Connection cable	approx. 1.7 m	approx. 1.7 m
Capacity	12 place settings	14 place settings

SC # = Dishwashers with cutlery tray

**United Kingdom:**

Miele Co. Ltd.
Fairacres, Marcham Road
Abingdon, Oxon, OX14 1TW
tel. Abingdon (01235) 554455
Service Office: (01235) 554466
fax (01235) 554477
Internet: www.miele.co.uk

Ireland:

Miele Ireland Ltd.
Broomhill Road, Tallaght, Dublin 24
Tel: (01) 46 10 710, Fax: (01) 46 10 797
Email: info@miele.ie
Internet: <http://www.miele.ie>

Australia:

Miele Australia Pty. Ltd.
A.C.N. 005635398
1 Gilbert Park Drive
Knoxfield, VIC 3180
Telephone: (03) 9764 7100
Fax: (03) 9764 7129
Internet: www.miele.com.au

Distributor New Zealand:

Steelfort Engineering Company. Ltd.
500 Rangitikei Street
Palmerston North, Priv. Bag 11045, NZ
Telephone: (06) 350 1350
Fax: (06) 356 1507

South Africa:

Miele (Pty) Ltd
63 Peter Place
Bryanston 2194
P.O. Box 69434
Bryanston 2021
Tel.: (011) 548 1900
Telefax (011) 548 1935
Internet: www.miele.co.za
E-mail: info@miele.co.za

Singapore:

Miele Southeast Asia
Miele Pte. Ltd.
163 Penang Road
04 - 02/03 Winsland House II
Singapore 238463
Tel : +65-67351191
Fax: +65-67351161
Email: infosea@miele.com.sg
Internet: www.miele.sg

Hong Kong:

Miele (Hong Kong) Limited
AIA Plaza, 24th Floor
18 Hysan Avenue
Causeway Bay
Hong Kong
Tel.: (852) 2610 1331
Fax: (852) 2610 1013
E-mail: mielehk@miele.com.hk

Free Manuals Download Website

<http://myh66.com>

<http://usermanuals.us>

<http://www.somanuals.com>

<http://www.4manuals.cc>

<http://www.manual-lib.com>

<http://www.404manual.com>

<http://www.luxmanual.com>

<http://aubethermostatmanual.com>

Golf course search by state

<http://golfingnear.com>

Email search by domain

<http://emailbydomain.com>

Auto manuals search

<http://auto.somanuals.com>

TV manuals search

<http://tv.somanuals.com>