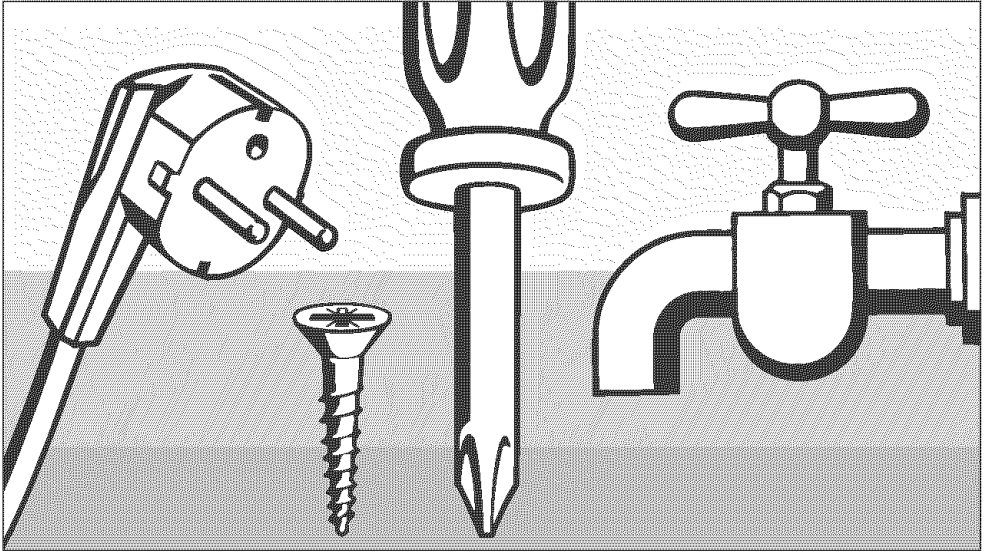


Installation instructions



Integrated dishwasher

To prevent accidents and machine damage, read these instructions **before** installation or use.

HG01



M.-Nr. 05 620 662

Contents

IMPORTANT SAFETY INSTRUCTIONS	3
INSTRUCTIONS IMPORTANTES SUR LA SÉCURITÉ	5
Caring for the environment	7
Disposal of the packing material	7
Disposal of an old machine	7
Opening the door	8
Opening the door without a panel in place	8
Without the mounting bracket in place:	8
Product and Cut-out Dimensions	9
Installation	11
1. Install the steam deflector	11
2. Install the mounting brackets	14
3. Install the slide skis	14
4. Install the dishwasher under the countertop	15
5. Level the legs	16
6. Install the custom door panel	17
7. Adjust and secure the front panel	22
8. Secure the dishwasher	23
9. Adjust the door springs	25
10. Make the plumbing connections	26
11. Make the electrical connection	30
12. Test the unit	32
13. Install the toekick	33

IMPORTANT SAFETY INSTRUCTIONS

Installation

Installation, maintenance and repair work should be by a Miele authorized service technician. Work by unqualified persons could be a hazard and may void the warranty.

This equipment is not designed for maritime use or for use in mobile installations such as caravans or aircraft. However, under certain conditions it may be possible for an installation in these applications. Please contact the nearest Miele dealer or the Miele Technical Service Department with specific requirements.

Inspect the dishwasher for transport damage. Do not install or use a damaged unit. Contact the place of purchase.

This dishwasher must be installed under a continuous countertop secured to adjacent cabinetry.


Do not install this dishwasher beneath a cooking surface or oven.

Do not, under any circumstances, cut the intake hose or submerge in liquid. This hose contains electrical components that could cause injury or property damage if cut or submerged.

If there is any doubt concerning installation contact the Technical Service Department.

USA 1-800-999-1360
techserv@mieleusa.com

CDN 1-800-565-6435
service@miele.ca

 During the installation process, please be careful of sharp edges that can cause harm.

IMPORTANT SAFETY INSTRUCTIONS

Electrical safety

Before installation, make sure the voltage and frequency listed on the data plate correspond with the household electrical supply. This data must correspond to prevent injury and machine damage. Consult a qualified electrician if in doubt.

To guarantee the electrical safety of this appliance, continuity must exist between the appliance and an effective grounding system. It is imperative that this basic safety requirement be met. If there is any doubt, have the electrical system of the house checked by a qualified electrician. The manufacturer cannot be held responsible for damages caused by the lack, or inadequacy of, an effective grounding system

Before installation or service, disconnect the power supply to the work area by manually "tripping" the circuit breaker, unplugging the unit, or removing the fuse.

Do not use an extension cord to connect the unit to electricity. Extension cords do not guarantee the required safety of the appliance, (e.g. danger of overheating).

Child safety

Ensure that any plastic wrappings, bags etc. are disposed of safely and kept out of the reach of babies and young children. Danger of suffocation!

If the appliance is removed from its installation and will not be used, the door to the wash cabinet should be removed to prevent children from being locked in the machine.

When discarding an old dishwasher, unplug it from the power outlet, remove the door to the wash cabinet and cut off the power cord.

INSTRUCTIONS IMPORTANTES SUR LA SÉCURITÉ

Installation

■ L'installation et les travaux de réparation et d'entretien doivent être effectués par un technicien de service autorisé Miele. Les travaux effectués par des personnes non qualifiées, pourraient être dangereux et faire annuler la garantie.

■ Cet équipement n'a pas été conçu pour usage maritime ou pour les installations mobiles telles que les roulettes ou les avions. Toutefois, il peut être parfois possible de faire l'installation de ces applications sous certaines conditions. Veuillez contacter le Concessionnaire Miele le plus près de chez-vous ou le Département du service technique Miele pour leur donner vos exigences précises.

■ Inspecter le lave-vaisselle pour voir s'il a été endommagé lors de l'expédition. Ne pas installer ou utiliser, un appareil endommagé. Veuillez contacter le point d'achat.

■ Ce lave-vaisselle doit être installé sous un comptoir continu bien fixé aux armoires adjacentes.

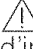
■ Ne pas installer ce lave-vaisselle sous une surface de cuisson ou un four.

■ Ne jamais, sous aucune circonstance, couper le boyau de prise ou submerger dans un liquide. Ce boyau contient des éléments électriques qui pourraient causer des blessures ou des dégâts matériels s'ils sont coupés ou submergés.

■ Si vous avez des doutes au sujet de l'installation, contactez le Département du service technique Miele.

USA 1-800-999-1360
techserv@mieleusa.com

CDN 1-800-565-6435
service@miele.ca

 Durant le processus d'installation, veuillez faire attention aux rebords coupants qui peuvent blesser.

INSTRUCTIONS IMPORTANTES SUR LA SÉCURITÉ

Sécurité électrique

■ Avant l'installation, s'assurer que la tension et la fréquence énumérées sur la plaque signalétique correspondent à la source d'électricité de la résidence. Ces données doivent correspondre afin d'éviter de vous blesser et d'endommager l'appareil. Consulter un électricien qualifié si vous avez des doutes.

■ Pour garantir la sécurité électrique de cet appareil, il doit y avoir continuité entre l'appareil et un système efficace de mise à la terre. Ce critère de sécurité doit absolument être respecté. Si vous avez des doutes, faire vérifier le système électrique de votre maison par un électricien qualifié. Le fabricant ne peut pas être tenu responsable des dommages causés par un système de mise à la terre efficace, manquant ou inadéquat.

■ Débrancher le courant de la zone de travail avant l'installation, en débranchant l'appareil, retirant le fusible ou en faisant "sauter" le disjoncteur.

■ Ne pas utiliser de rallonge pour brancher l'appareil. Les rallonges ne garantissent pas la sécurité requise pour l'appareil, (par ex. danger de surchauffage).

Sécurité des enfants

■ S'assurer de disposer de tous les emballages de plastique, sacs etc. et de les garder hors de la portée des bébés et jeunes enfants. Danger de suffocation!

■ Si l'appareil est retiré de son installation et que vous ne l'utilisez pas, vous devez retirer la porte du meuble de lavage pour empêcher les enfants de s'enfermer dans l'appareil.

■ Pour disposer d'un ancien lave-vaisselle, le débrancher de la prise, enlever la porte du meuble de lavage et couper le cordon électrique.

Disposal of the packing material

The cardboard box and packaging protect the appliance during shipping. These materials are biodegradable and recyclable. Please recycle.

Ensure that any plastic wrappings, bags etc. are disposed of safely and kept out of the reach of children.
Danger of suffocation!

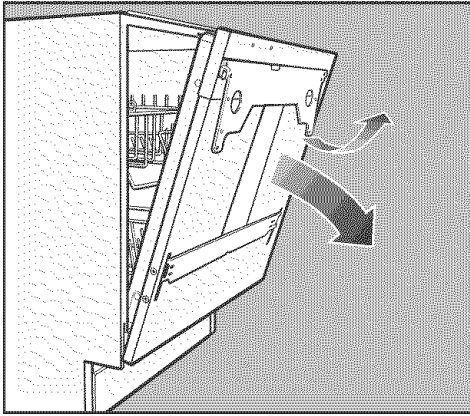
Disposal of an old machine

Old appliances may contain materials that can be recycled. Please contact your local recycling authority about the possibility of recycling these materials.

Ensure that the appliance presents no danger to children while being stored for disposal. Before discarding an old appliance, unplug it from the outlet and cut off its power cord and remove any doors to prevent hazards.

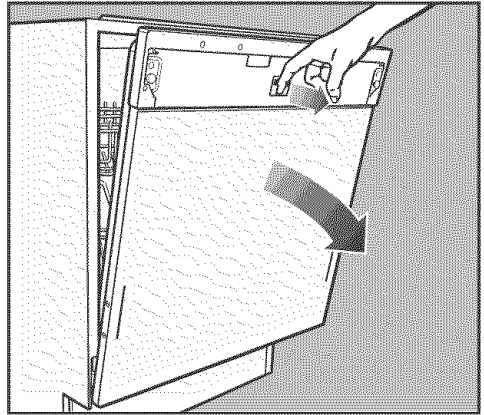
Opening the door

Opening the door without a panel in place



- Gently pull on the upper portion of the mounting bracket until the door latch releases (small arrow).

Without the mounting bracket in place:

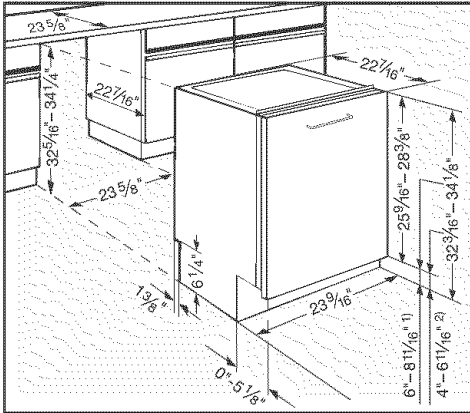


- Grip the T shaped opening with a finger and pull the door open.

Product and Cut-out Dimensions

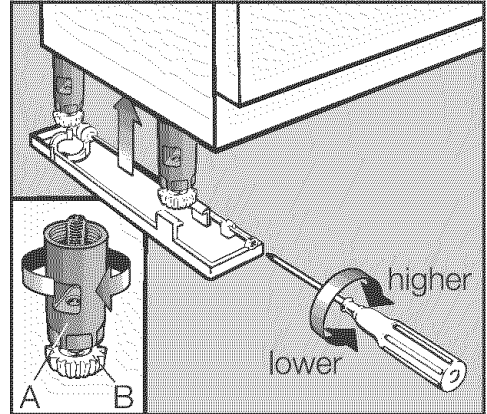
G 600 Series Dishwashers

Full size models G 643 - G 663



Removing the leg extensions

The black leg extensions can be removed to reduce the machine height to $32\frac{1}{4}$ " - 33 " (819-838 mm) (see



Inset).

A = Black leg extension (removable)
B = White leg (must be installed on machine).

- After removing the black leg extensions, screw the white legs onto the dishwasher.

Machine heights of $33\frac{1}{4}$ " - 34 " (845-864 mm) are not possible using the supplied legs.

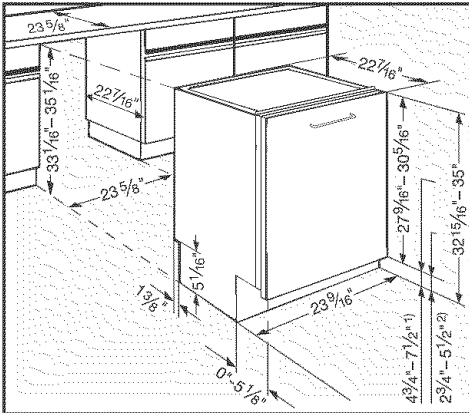
For this height range, or for heights greater than $34\frac{7}{8}$ " (886 mm), extended legs (part # 02 702 601) are necessary.

Contact the Miele Technical Service Department for the appropriate legs.

Product and Cut-out Dimensions

G 800 Series Dishwashers

Full size models G 843 - G 863

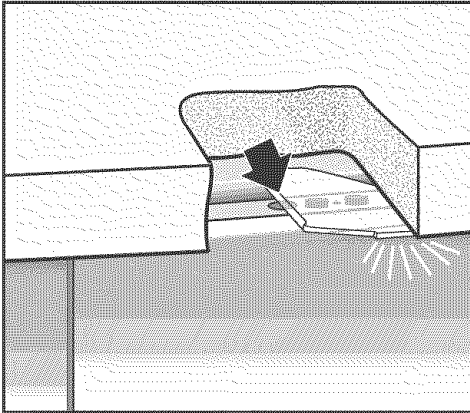


Machine heights of 35" - 37" (889-940 mm) cannot be obtained using the supplied legs. For this height range, or for heights greater than 35" (889 mm), extended legs (part# 02 702 601) are necessary. Contact the Miele Technical Service Department for the appropriate legs.

1. Install the steam deflector

A stainless steel steam deflector is supplied to protect the countertop from steam and condensation when the dishwasher is opened. If the countertop is made of Corian®, granite, marble or other solid, waterproof material, the steam deflector is not required.

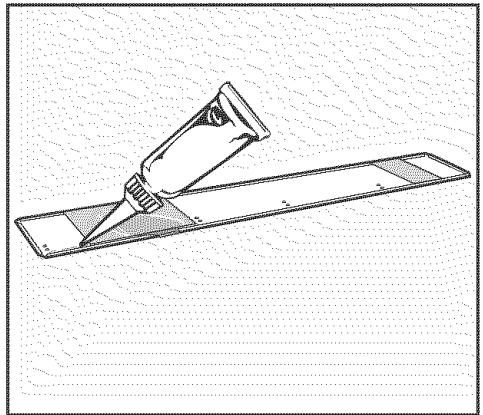
The steam deflector has an indicator reflector to show when the dishwasher is running.



The left side of the reflector and the optic indicator in the the control panel must line up for the reflector to work.

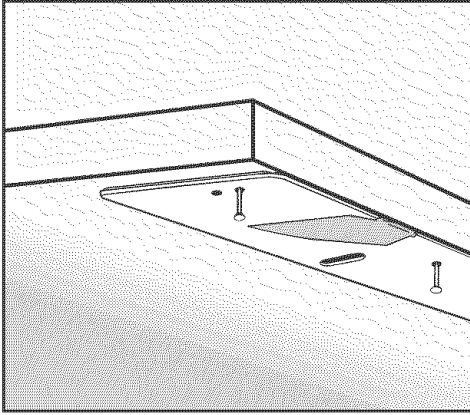
If the counter is made of different materials, the steam deflector should be positioned so it covers the edge where the materials are joined. Countertops with wood or laminate edging should be tacked through the rear holes of the steam deflector.

- Remove the protective film from the deflector.



- Squeeze the supplied silicone sealant along the groove of the deflector.

Installation

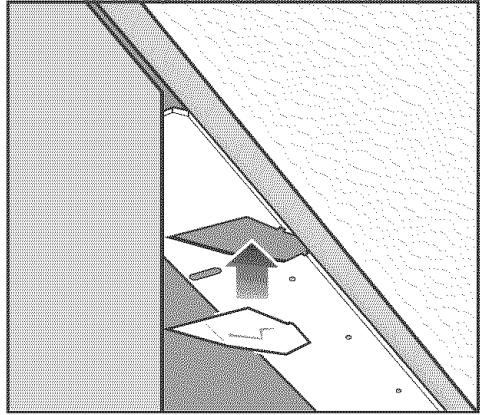


- **Center** the steam deflector in the opening for the dishwasher and align with the lower front edge of the countertop.

Note:

For rounded countertops it may be necessary to pull the steam deflector closer to the counter's edge so the optic reflector will be visible.

- Secure the deflector in place using the supplied nails.
- Wipe of any excess silicone with a solution of liquid dish soap and warm water.

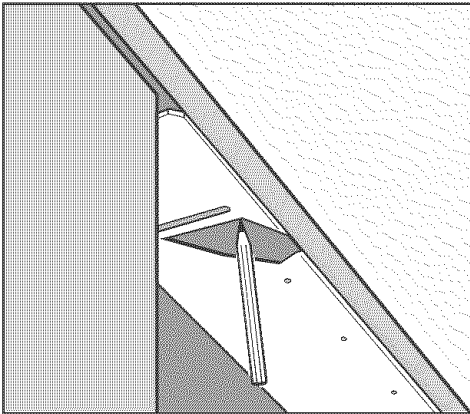


- Press the optic indicator reflector in place.

Stone or marble countertops:

The steam deflector is not required for countertops made of solid, waterproof material. But it is needed for determining the correct position of the optic indicator reflector.

- Remove the black plastic reflector holder and the tape holding it in place from the steam deflector.

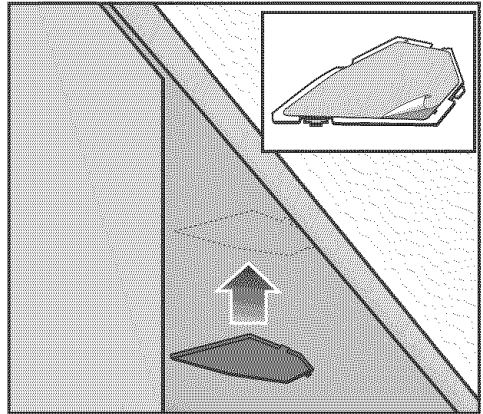


- With the reflector cut out left and frontward, align the steam deflector with the front edge of the counter. Trace the outline of the reflector onto the underside of the counter with a pencil.

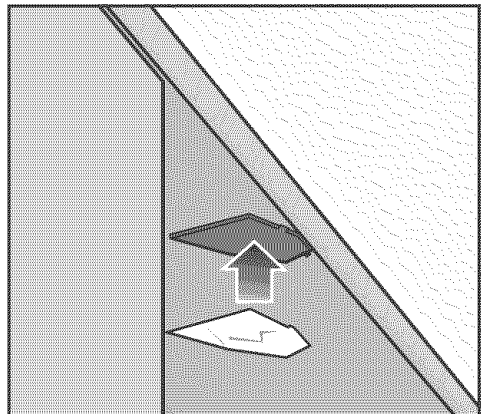
Note:

For rounded countertops, make the tracing closer to the counter's edge so the optic reflection will be visible.

- Adhere the double-sided sticker to the back of the optic indicator reflector.
- Remove the backing from the other side of the sticker.



- Line up the black reflector holder with the tracing and press into place.



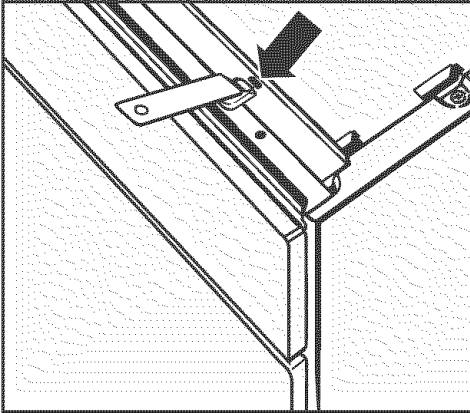
- Press the optic indicator reflector into the reflector holder.

The "Extended drying" feature can be activated to further protect the counter from condensation. See the "Operating instructions / Additional features".

Installation

2. Install the mounting brackets

To ensure stability this dishwasher should be securely attached to the countertop with the two mounting brackets included.



- Insert the tab of each bracket into the guide holes on top.

Stone or marble countertops:

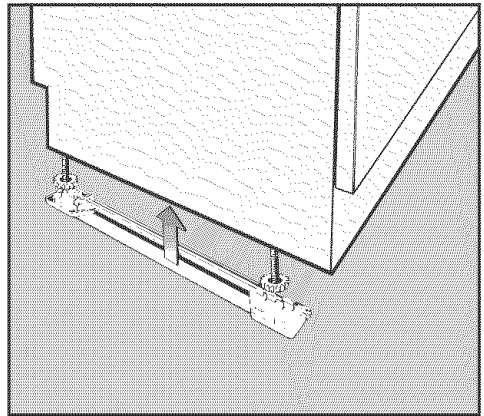
Do not install these mounting brackets if the counter is made of an extremely hard material. The securing screws for the mounting brackets are not suitable for such materials.

3. Install the slide skis

Two slide skis are included and should be installed on the feet of the dishwasher before the machine is pushed under the countertop. This will allow the machine to slide easier, protect the floor, and allow adjustment of the rear leveling legs from the front of the unit.

- First, adjust the height of the legs so that the top of the dishwasher is roughly $\frac{1}{8}$ " (3 mm) below the countertop.

Tipping the machine slightly to the rear, if possible, will make adjusting the front legs easier. Make sure the machine is level when adjustments are complete.



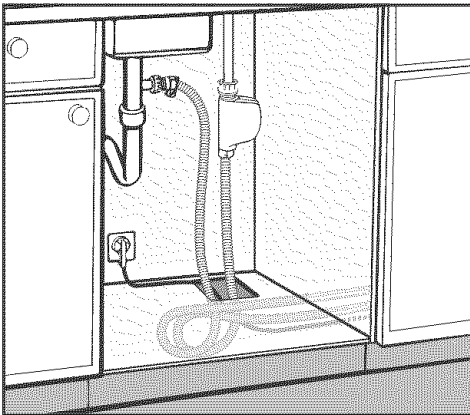
- Place the skis, with the ratchet at the rear, under the dishwasher legs.

4. Install the dishwasher under the countertop

The dishwasher must be installed so that the water and electricity supplies can be accessed through an adjacent cabinet. The supplies must not be located behind the machine.

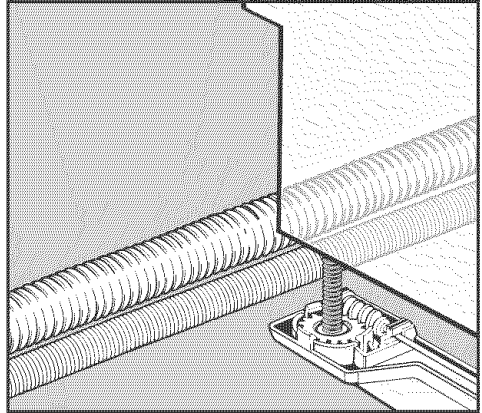
⚠ WARNING - Fire hazard
Do not cover or crush the plug of an electric appliance. Ensure that the cabinet opening for the dishwasher provides ample space for the plug. Installing the dishwasher in a tight space may crimp the power cord or put pressure on the plug which may cause overheating.

The floor of the cut out where the dishwasher will be installed should be even in height with the surrounding kitchen floor. Plywood can be secured to the floor to make the two areas even.



- Make a 2" x 4" (5 x 10 cm) cut out in the side or bottom of the cabinet adjoining the dishwasher. This cut out is necessary for connections to pass through.

- Make certain that there are no rough edges that could damage the power cord or hoses. If metal cabinets are used, place the supplied rubber grommet around the edge of the opening before passing the cable through.



- Slide the machine into the opening, making sure the electrical cable and hoses can reach their connection points without kinking.

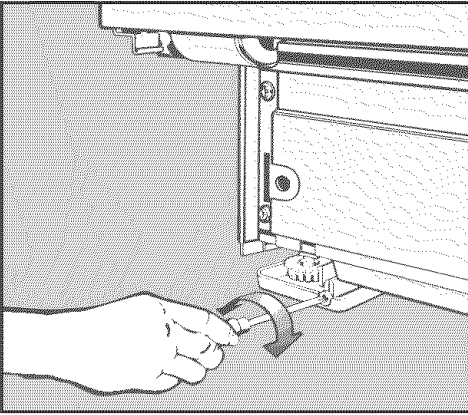
The left side of the optic indicator reflector and the optic indicator must align.

The drain hose connection at the rear of the dishwasher can be turned to allow the hose to be angled to the right or left.

- Exercise care when sliding the dishwasher in or out, to prevent damaging the power cord or hoses.

Installation

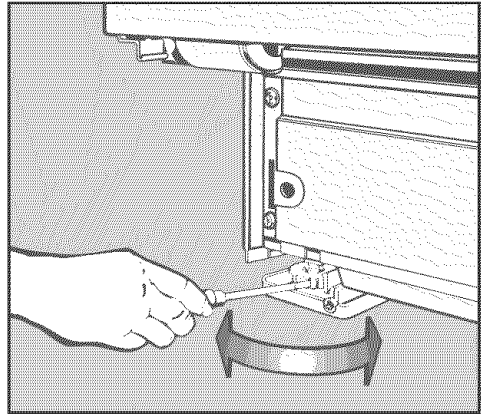
5. Level the legs



- The rear leveling legs can be adjusted with a T20 Torx screwdriver by turning the screws at the front of the slide skis.

To raise the machine turn clockwise.
To lower the machine turn counter clockwise.

Several turns may be needed to set the correct height. Do not use a power screwdriver.



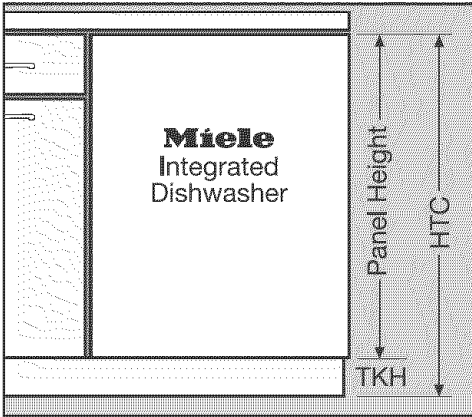
- Adjust the front leveling legs by pushing on the feet with a slotted screwdriver.
- Tipping the machine slightly backwards, if possible will make adjusting the front legs easier. Make sure the machine is level when adjustments are complete.

The dishwasher should be raised until it just touches the underside of the countertop.

6. Install the custom door panel

A custom door panel must be installed on the dishwasher before it can be safely operated. A single large panel or a two piece panel separated at the drawer line can be used.

Panel size is determined in the following manner:



$$\text{Panel Height} = \text{HTC} - \text{TKH}$$

HTC = Height to the underside of countertop

TKH = Toe Kick Height

Panel Dimensions:

Width: 23 1/2" (60 cm)

Range of panel height:

G 800 series 27 1/2" - 30 1/4"
 (699 - 768 mm)

G 600 series 25 1/2" - 28 1/4"
 (648 - 718 mm)

Thickness:

At least 3/4" (18 mm) where the mounting bracket is to be screwed in position.

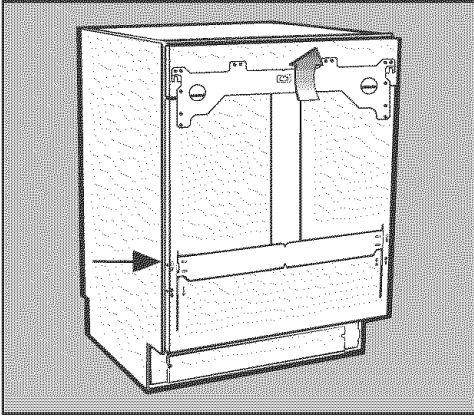
Maximum panel weight:

G 800 series 21 lbs (9.5 kg)

G 600 series 16.5 lbs (7.5 kg)

Installation

The door panel is attached to the dishwasher using the mounting bracket that comes secured to the front of the unit.

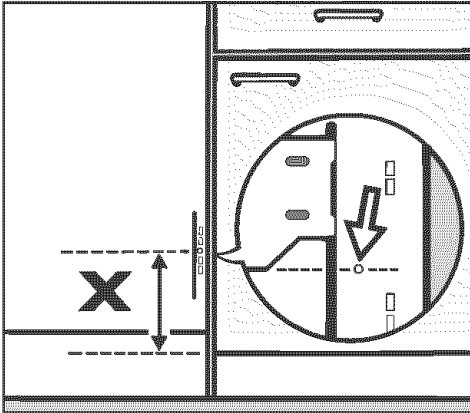


To remove the bracket:

- Open the door 2 - 4" (5 - 10 cm).
- Loosen the bracket retaining screw (black arrow) located on each side of the machine door.
- Pull the bracket up until the upper section of the bracket disengages from the locator pins, then remove the bracket.

Install the bracket on the rear of the custom door panel

- Make sure the dishwasher is level.
- Measure the distance **X** between the round hole in the machine outer door panel (shown in inset) and the lower edge of the adjoining cabinet door.



- Place the door panel on a flat surface, good side face down, being careful not to scratch the surface. Make certain that the bottom of the panel is towards you.

- Using a pencil, lightly draw a vertical centerline on the panel (See illustration on the next page).
- Draw a horizontal line **X** inches up from the bottom edge of the panel.

For two piece panels:

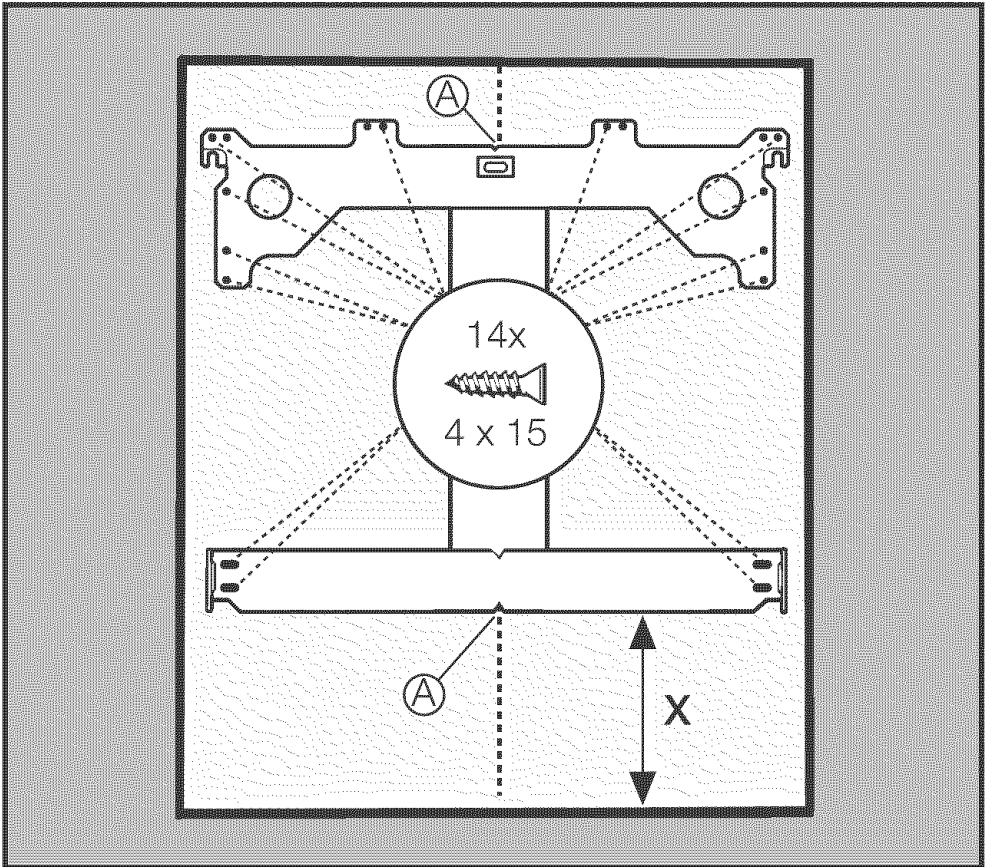
Two piece panels should be made so that any joining hardware is flush with the back of the panel. Failure to do this may impede proper operation of the dishwasher.

In certain instances, you may be able to use the mounting bracket supplied with the machine to secure both pieces to the dishwasher.

Consult your cabinet supplier / maker for the best method of joining the panels.

When mounting the two pieces, make sure that the desired finished panel height is maintained.

Installation

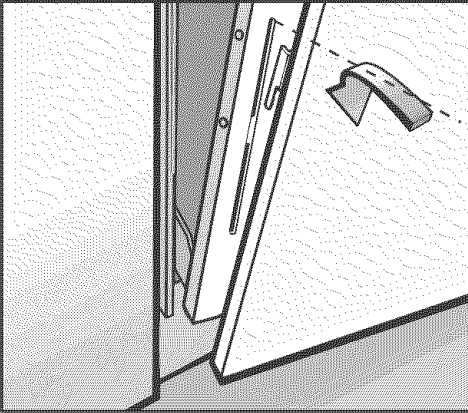


- Place the bracket on the door panel so the notches, ①, cross the previously drawn centerline, and the bottom of the bracket lines up with the horizontal **X** line.
 - Mark and drill pilot holes for the screws using a $\frac{3}{32}$ " (2.5 mm) drill bit.
 - Attach the bracket to the back of the panel, using the 14 screws provided. The top four pair of holes, only need to be secured once per pair.
 - Double check the location of the bracket before mounting the panel to the dishwasher.
- The door handle must be installed on the panel before it is attached to the machine. It should be located in the center of the panel at a height that will match the surrounding drawer handles.

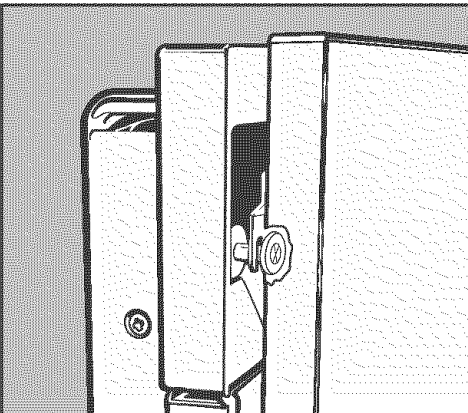
Any screws used to attach the door handle **must** be countersunk so that the rear of the front panel remains flat.

Attach the front panel to the dishwasher

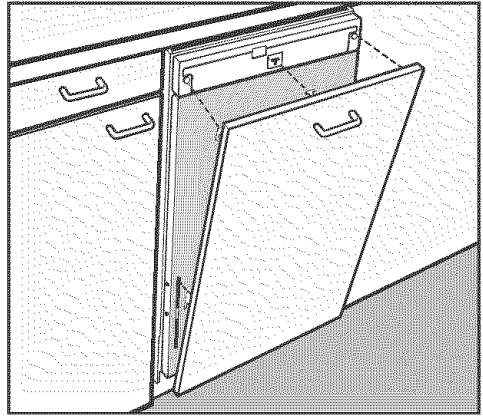
- Open the door 2 - 4" (5 - 10 cm).



- Place the lower mounting clips into the slots of the dishwasher door as shown in the illustration.



- Seat the U shaped slots of the upper bracket onto their respective locator pins.
- Press the panel against the door and slide down so that all the brackets catch.

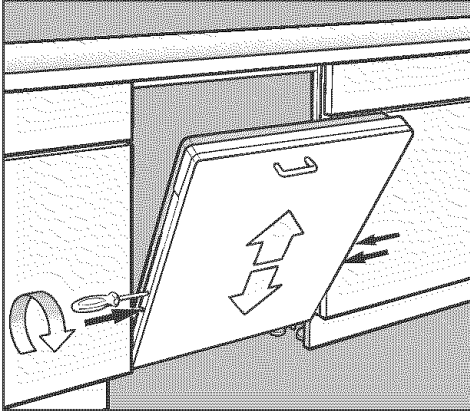


The "T" shaped hanger behind the door handle should fit easily into its respective hole.

Installation

7. Adjust and secure the front panel

Once installed, the panel can be raised or lowered up to $\frac{1}{16}$ " (2 mm) to match the cabinet lines.



Adjust one side of the door panel at a time using a T20 Torx screwdriver.

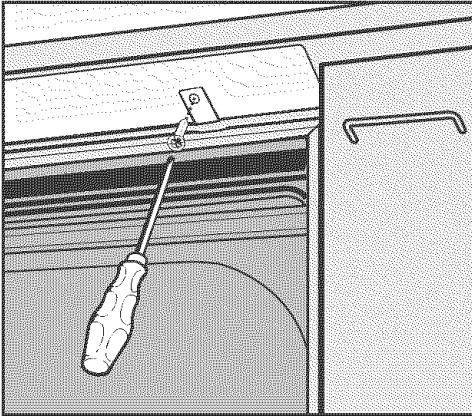
Do not use a power screwdriver to adjust or secure the decorative panel to the dishwasher.

- Once this side of the panel lines up with the cabinets, secure it by tightening the upper screw on the edge of the dishwasher door.
 - Repeat the process with the other side of the panel.
 - Close the door.
 - Check the alignment. Readjust if needed.
 - Insert the supplied end caps into the four screw holes.
- If the upper screws on the edge of the door are not loose, loosen them slightly.
 - The panel can be raised or lowered by turning the lower screw on each side of the dishwasher door.
To raise the panel turn clockwise.
To lower the panel turn counterclockwise.

8. Secure the dishwasher

- Open the dishwasher door.

If the steam deflector is installed, the mounting bracket holes must align with the slots in the steam deflector.

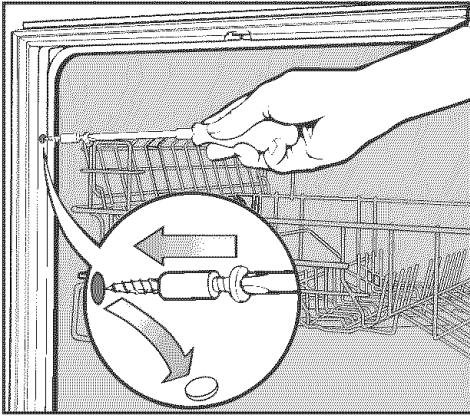


- Using flat head screws, secure the dishwasher to the countertop by screwing through both the mounting bracket and the steam deflector.

Make certain that the white rubber seal located at the top, outer edge of the dishwasher is tight against the bottom of the countertop. Do not drill any additional holes through the wash cabinet. If in doubt on how to secure the dishwasher, please call Miele's Technical Service Department.

Installation

For openings exactly $23 \frac{5}{8}$ " (60 cm) wide:



⚠ The side mounting holes should only be used for securing the dishwasher if the opening is exactly $23 \frac{5}{8}$ " (60 cm) wide. Use of this method on larger openings can damage the machine and cause leaks. Be careful not to screw into an adjacent appliance.

- Open the dishwasher door and remove the caps covering the mounting holes on the outer edge of the wash cabinet.
- Fasten the dishwasher to the adjacent cabinets using the supplied screws and bushings. A bushing must be placed over the screw before inserting it into its mounting hole.
- Tighten the screws and insert the caps.

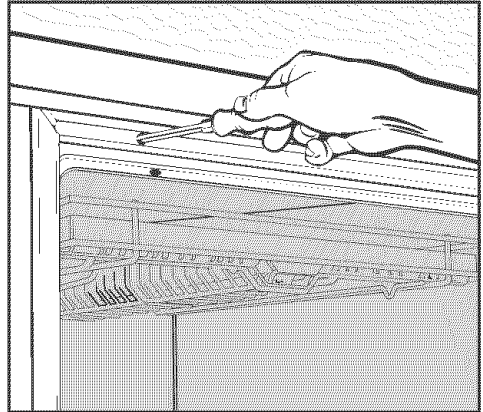
9. Adjust the door springs

- Open the dishwasher door halfway.

If the door remains in this position when released, the springs are adjusted correctly.

If the door drops, the tension on the springs needs to be increased.

If it closes on its own, the tension on the springs need to be decreased.



- To adjust the door springs use a T20 Torx or a small slotted screwdriver and turn the screw located behind the door in the upper front strip, on the left hand side of the dishwasher. Do not use a power screwdriver.
 - turn clockwise to increase the tension
 - turn counterclockwise to decrease the tension.

Note:

If the door springs can not be adjusted enough (the door falls), the custom door panel is too heavy.

Call your Miele dealer or the Technical Service Department for advice on stronger door springs.

Installation

10. Make the plumbing connections

An air gap is built into the water inlet system to prevent potable water from mixing with waste water.

The dishwasher can heat its own water to the temperatures required by the wash program. This allows the option of connecting the machine to either a hot or cold water source.

- For lowest energy consumption connect the dishwasher to a cold water source.
- For fastest possible wash times, with slightly higher energy consumption, connect the dishwasher to a hot water source.

Hot water supply specifications:

Recommended temperature:
120 °F (49 °C)
max 140 °F (60 °C)

Water pressure:

Must be between 5 - 145 psi (0.3 - 10 bar).
If the water pressure is too low, the "Intake/Drain" or "Intake" indicator may flash (see "Operating Instructions/ Frequently asked questions").
If the water pressure is too high, a pressure reducer must be installed.

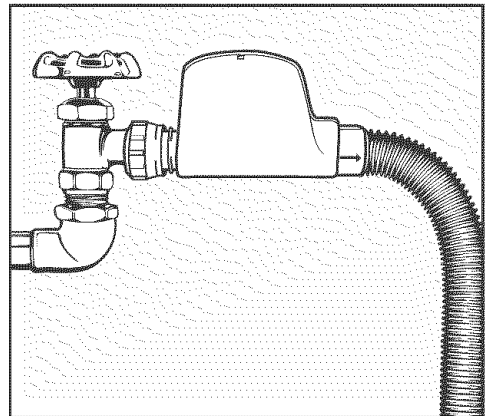
New plumbing:

The water inlet hose comes equipped with a $\frac{3}{4}$ " female hose thread connector. This can be directly connected to a shut off valve with $\frac{3}{4}$ " MHT (male hose thread ends).

Preferred Installation:

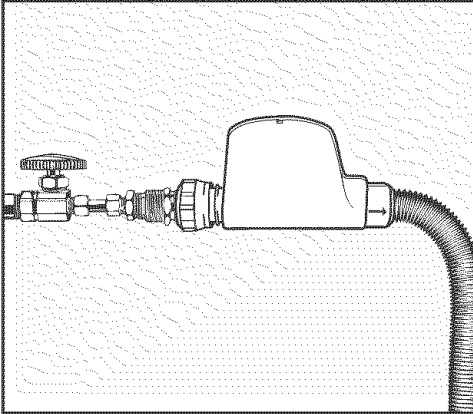
The hose assembly should be installed vertically so the hose exits from the bottom of the valve box (not as shown).

If this is not possible, it can be installed horizontally, provided the hose exit remains beneath the main body of the valve box (see illustration). The valve box should also be installed so that it is at least 10" (24 cm) above the floor (or base of the cabinet), so that the excess coiled hose will remain lower than the valve box at all points.

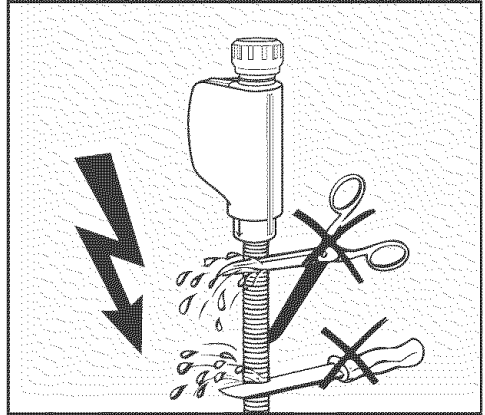


Existing plumbing:

If the standard $\frac{3}{8}$ " copper plumbing for a dishwasher already exists with a compression fitting and valve as pictured:



- Cut the $\frac{3}{8}$ " copper tubing after the valve.
- Install the $\frac{3}{8}$ " compression to $\frac{3}{4}$ " MHT (Male Hose Thread) adapter (supplied with the machine), as illustrated.
- For any other size plumbing, buy the correct size adapter from a hardware store.
- Connect the inlet hose to the existing valve /adapter assembly.



⚠ WARNING - Electrical Hazard
Do not cut the intake hose. If the hose is cut, the dishwasher will not work. There will be a water leak and you could be injured. If the hose is too long, coil it neatly and place it behind the machine.

Electrical wiring and components should not come into contact with any plumbing fixtures or hoses.

Installation

Drainage system specifications:

The machine comes equipped with:

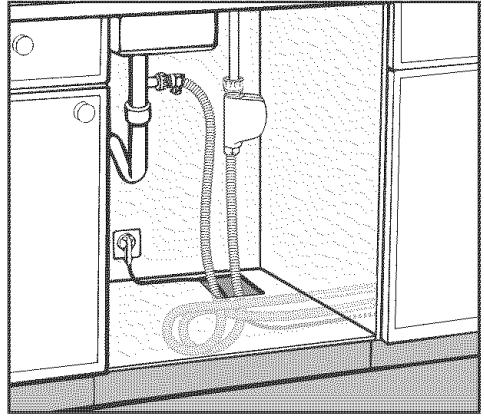
- A 5 ft. long (1.5 m) flexible drain hose with an internal diameter of $\frac{7}{8}$ " (22 mm). Drain hose extensions can be ordered from Miele's Technical Service Department.
- A built-in swivel connector allowing the drain hose to be routed in any direction.
- A built-in mechanical non-return valve on the discharge side to prevent waste water from flowing back into the dishwasher.
- A built-in odor trap on the discharge side to prevent odors from entering the kitchen.

Maximum drain height: 39" (1 m)

Maximum drain hose length: 12 ft (3.5 m)

Do not shorten the drain hose.

Do not connect the drain hose to anything but a genuine Miele hose. Other hoses may melt or collapse.



Connect the supplied drain hose to the drain pipe of the kitchen sink either:

- **above** the P trap using the clamp provided, or
- to the dishwasher connector of the garbage disposal.

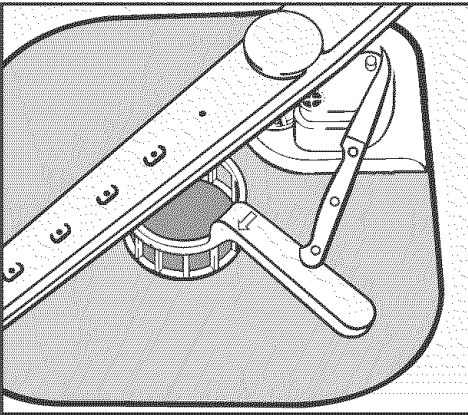
When connecting the drain hose to the garbage disposal, make sure to remove the knockout from the connection nipple. (See the disposal manufacturer's instructions for this procedure.)

Venting the drainage system

If the dishwasher drain hose is connected to a **floor drain or to a drain pipe that is less than 8" (20 cm) above the floor**, the drain must be vented. Otherwise the water inside the dishwasher may siphon out during the wash program.

To vent the drain:

- Open the dishwasher door and remove the lower basket.



- Cut off the vent cap located at the right rear of the triple filter system, as illustrated.

Additional note

Since all Miele dishwashers are equipped with an odor trap and non-return valve, the drain hose can be connected directly to the drain pipe as illustrated.

If plumbing codes require an external air gap on the discharge side of the dishwasher, the following requirements must be met:

- No part of the drain hose should be higher than 39" (1 m).
- If installed horizontally, the drain hose can be up to 12 ft (3.5 m) long. If the drain hose is angled upwards in any way, it cannot be longer than 5 ft (1.5 m).
- The drain connection should be made as close as possible to the dishwasher.
- The internal diameter ($\frac{7}{8}$ " or 22 mm) of the drain hose should not be reduced at any point.

Installation

11. Make the electrical connection

GROUNDING INSTRUCTIONS

THIS APPLIANCE MUST BE GROUNDED.

In the event of a malfunction or break down, grounding will reduce the risk of electric shock by providing a path of least resistance for the electric current. This appliance is equipped with a cord having an equipment grounding conductor and a grounding plug. The plug must be inserted in an appropriate outlet installed and grounded in according to local codes and ordinances.

⚠ WARNING- An improper connection of the equipment grounding conductor can result in electric shock.

Do not modify the plug provided with the appliance; if it will not fit the outlet, have a proper outlet installed by a qualified electrician. If there is any question about the proper electrical connection or grounding of this appliance to the power supply, please consult a licensed electrician or call Miele's Technical Service Department:

**USA 1-800-999-1360
CDN 1-800-565-6435**

Specifications

The dishwasher comes equipped with a 4 ft (1.2 m) power cord with a molded plug for connection to 120 V, 60 Hz, 15 A grounded receptacle.

Rated load: 12.5 A / 1500 W

Voltage: 120 VAC

Frequency: 60 Hz

Circuit breaker: 15 A

Power outlet

The power outlet for the appliance must be installed within a cabinet, on a wall adjacent to the undercounter space in which the dishwasher is located. An opening through the partition between the compartments of 1 1/2" (3 to 4 cm) can be made to allow the plug to pass through.

Permanent Connection (Hard Wiring)

For hard wiring, the power cord must be disconnected from the terminal box located at the lower left front of the dishwasher, behind the toekick and service panel. Pass the permanent power supply cable through the strain relief and secure it to the terminal box.

Connect:

L1 (Black) to L on terminal block

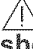
N (White) to N on terminal block

GRND To ground connector

GROUNDING INSTRUCTIONS

This appliance must be connected to a grounded metal, permanent wiring system, or an equipment grounding conductor must be run with the circuit conductors and connected to the equipment grounding terminal or lead on the appliance.

Use copper conductors only.

 **Hardwiring the dishwasher should only be done if required by local electrical codes, and then in accordance with those codes. Do not cut the plug off the power supply cord and connect it directly to the house wiring.**

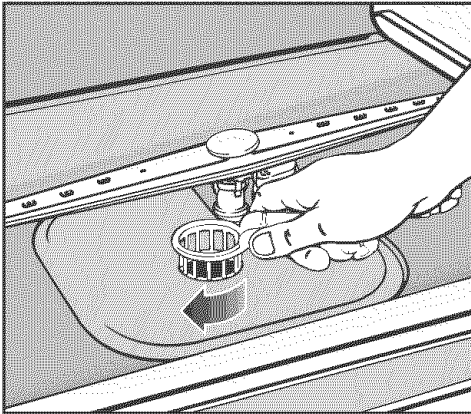
Installation

12. Test the unit

Once the dishwasher is level and secured it should be tested.

- Remove all packing and literature from inside the unit.

The yellow Child Safety Lock key hung on the upper basket must be removed before operating the dishwasher. If not removed, the key could become lodged in the circulation pump.

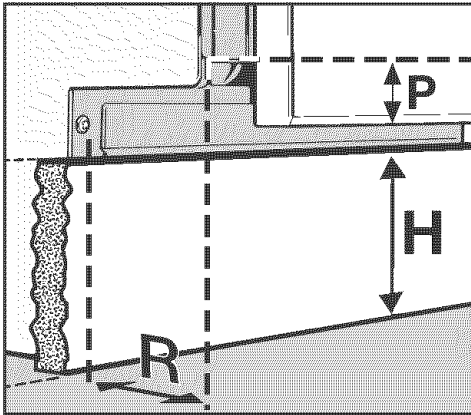


- Check for any leaks, odd noises and flashing / lit fault indicators on the control panel. See the "Operating Instructions / Frequently asked questions" if there is a problem.
- Make sure the triple filter system in the base of the wash cabinet is locked in place. Turn the handle clockwise to lock.
- Close the soap dispenser. Do not add detergent.
- Run the dishwasher through the "Rinse & Hold" program. See the operating instructions for information on operation and program selection.

13. Install the toekick

For installations using a continuous toekick or a cabinet matching toekick

Before installing the toekick, measurements must be taken to ensure that the toekick will not interfere with the complete opening of the dishwasher



door.

The door panel overhang (**P**), and toekick depth of recess (**R**), determine the maximum dishwasher toekick height (**H**).

If (**H**) is equal to or less than the toekick height of the adjoining cabinets, no interference will exist, provided that (**R**) is at least $\frac{3}{4}$ " (19 mm).

If the door panel hits the toekick when the dishwasher door is opened, the toekick must be cut shorter or recessed deeper.

Note:

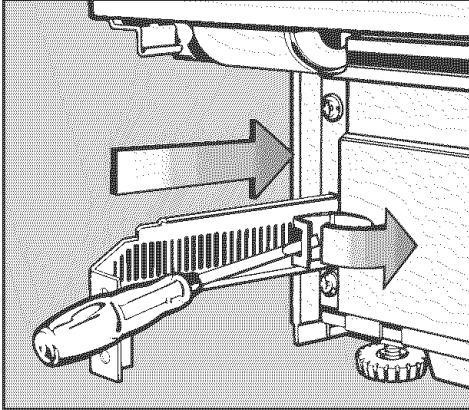
If a decorative or flush mount toekick is desired, and (**R**) is less than $\frac{3}{4}$ " (19 mm), other modifications, such as beveling the top rear edge of the toekick, may be necessary.

It is extremely important that the toekick is removable in case service is needed.

Installation

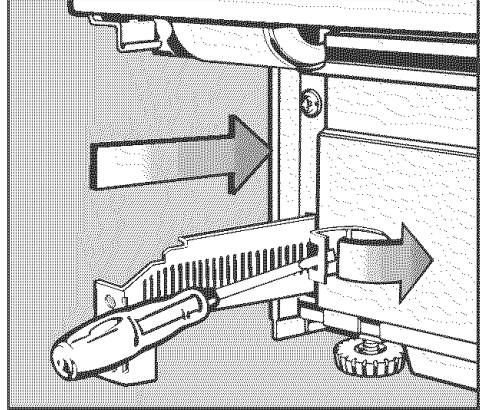
For installations using the included plastic toekick

G 600 Series dishwasher



- Insert the mounting bracket with the flange pointing toward the center of the machine.
- Push the mounting brackets in as far as possible by releasing the tension on the spring clip (see illustration).

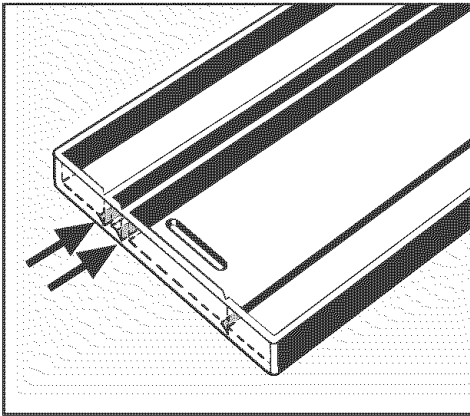
G 800 Series dishwasher



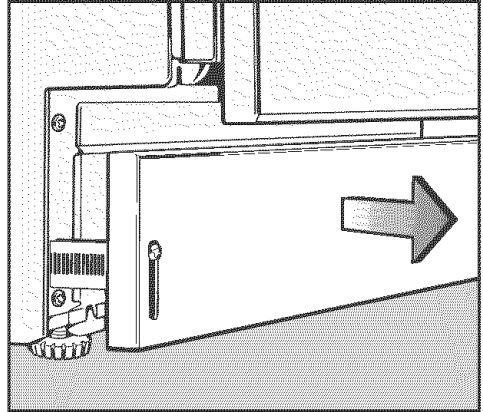
- Insert the mounting bracket with the flange pointing toward the outside of the machine.
- Push the mounting brackets in as far as possible by releasing the tension on the spring clip (see illustration).

The included toekick will fit without modification if the machine is set to its maximum height and the toekick is recessed as far as possible (4"/10 cm).

If the machine height is less than maximum, or if the toekick is not recessed 4" (10 cm), the toekick must be shortened.



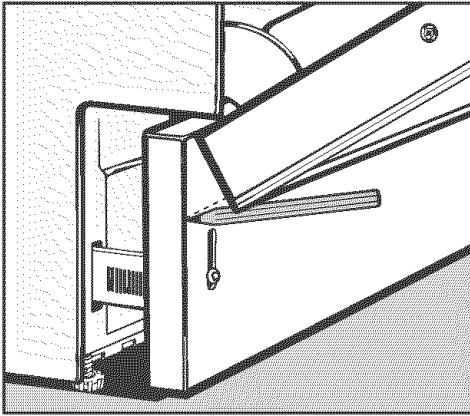
The rear of the toekick has two cutting lines.



- Screw the toekick onto the installed brackets, with the cutting lines towards the top, and pull out evenly and slowly until it aligns with the toekick of the adjoining cabinets.

The toekick can not be pushed back in once it has been extended. It must be unscrewed, so that the tension on the spring clips can be released. The brackets can then be pushed in, and the toekick reattached.

Installation



- Carefully open the dishwasher door until it hits the toe-kick.
- Using the front lower edge of the door panel as a guide, draw a line across the toe-kick.
- Unscrew and remove the toe-kick.
- If one of the cutting lines is close to the line just drawn, score the front of the toe-kick, and snap off the excess, otherwise, trim the toe-kick along the line using a saw.
- Screw the toe-kick back onto the brackets, with the cut edge at the bottom.

After installation, carefully open the dishwasher door to check that the front panel does not hit the toe-kick. If it does, remove the toe-kick and trim it accordingly.

When contacting the Technical Service,
please quote the model and serial number
of your appliance.



Miele, Inc. (USA)

National Headquarters

9 Independence Way
Princeton, NJ 08540
Phone: 800-843-7231
609-419-9898
Fax: 609-419-4298
www.mieleusa.com

Technical Service & Support

Nationwide

Phone: 800-999-1360
Fax: 888-586-8056

Miele Limited (CDN)

National Headquarters

55G East Beaver Creek Road
Richmond Hill, ON L4B 1E5
Phone: 800-643-5381
905-707-1171
Fax: 905-707-0177
www.miele.ca

info@miele.ca (general enquiries)
professional@miele.ca (commercial enquiries)

Mielecare National Service

Phone: 800-565-6435
905-850-7456
Fax: 905-850-6651
service@miele.ca (Tech. Service)

Free Manuals Download Website

<http://myh66.com>

<http://usermanuals.us>

<http://www.somanuals.com>

<http://www.4manuals.cc>

<http://www.manual-lib.com>

<http://www.404manual.com>

<http://www.luxmanual.com>

<http://aubethermostatmanual.com>

Golf course search by state

<http://golfingnear.com>

Email search by domain

<http://emailbydomain.com>

Auto manuals search

<http://auto.somanuals.com>

TV manuals search

<http://tv.somanuals.com>