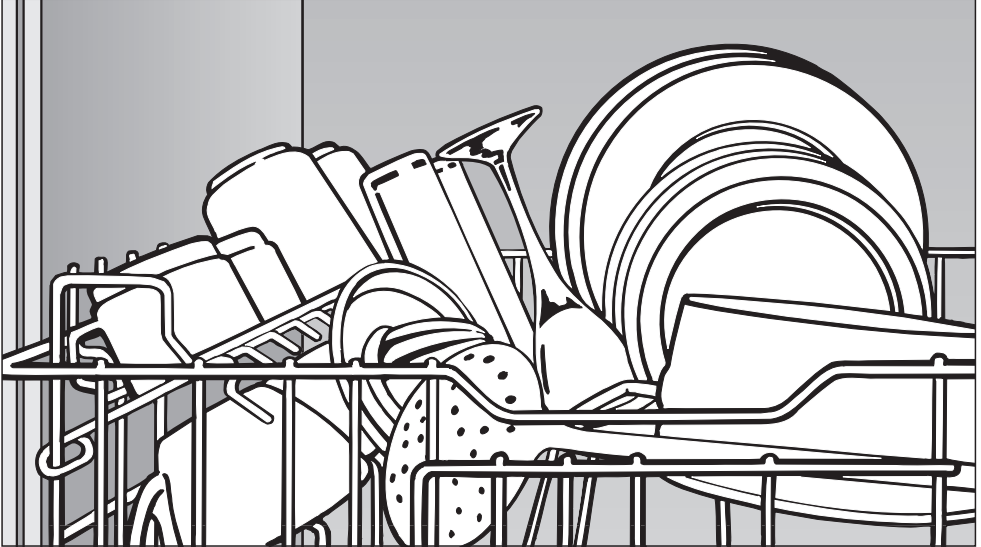


# Miele

## Operating and installation instructions



## Dishwasher G 879 SCVi

In order to protect yourself and avoid damage to your machine, it is absolutely **necessary** to read the operating and installation instructions prior to installation and operation.



M.-Nr. 05 038 402

# Contents

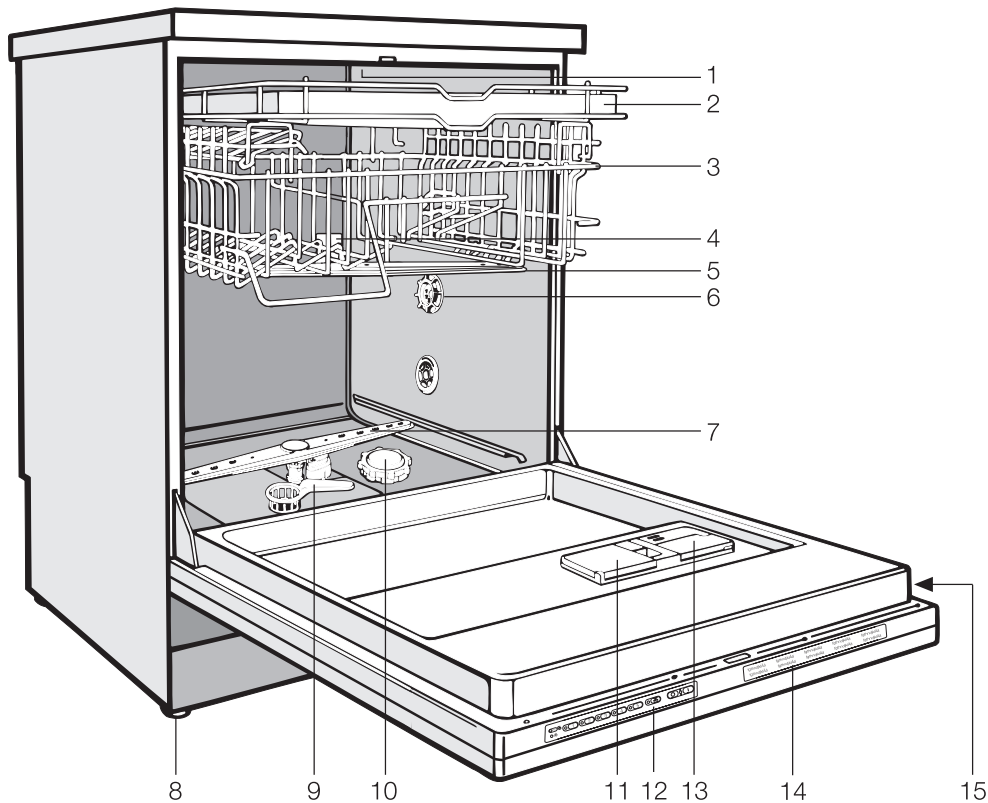
---

<b>Guide to the appliance</b> . . . . .	4
View of the machine . . . . .	4
Control panel . . . . .	5
<b>Important safety instructions</b> . . . . .	6
<b>Caring for the environment</b> . . . . .	8
<b>Before using for the first time</b> . . . . .	9
<b>Opening and closing the door</b> . . . . .	10
<b>Water Softener</b> . . . . .	11
Programming the water hardness . . . . .	12
To programme the water hardness . . . . .	13
To check the programmed water hardness: . . . . .	14
Setting the water hardness selector inside the wash cabinet. . . . .	15
Filling the salt reservoir. . . . .	16
Salt indicator. . . . .	17
Bypassing the Salt indicator lamp . . . . .	17
<b>Adding rinse aid</b> . . . . .	18
Setting the dosage. . . . .	19
<b>Loading the dishwasher</b> . . . . .	20
Loading examples. . . . .	21
Upper basket. . . . .	21
Bottom basket. . . . .	21
Cutlery tray. . . . .	22
Coffee bar. . . . .	23
Adjustable cup racks. . . . .	23
Insert for glasses . . . . .	23
Adjusting the upper basket. . . . .	24
<b>Items not suitable for dishwashers</b> . . . . .	25
<b>Adding detergent</b> . . . . .	26
<b>Choosing a programme</b> . . . . .	27
<b>Programme chart</b> . . . . .	28
<b>Operating the dishwasher</b> . . . . .	30
Turning on. . . . .	30
Starting a programme. . . . .	30
End of Programme. . . . .	30
Interrupting a programme. . . . .	31
Changing a programme. . . . .	31
Turning the dishwasher off. . . . .	31

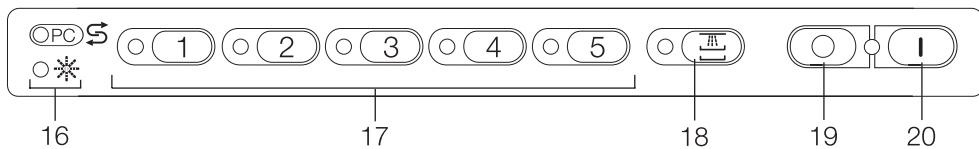
<b>Unloading the dishwasher</b> . . . . .	32
<b>Additional features</b> . . . . .	33
Top Solo . . . . .	33
Heated drying . . . . .	34
Turning off "Heated drying" . . . . .	34
Turning on "Heated drying" . . . . .	34
End of programme notification . . . . .	35
Turning the buzzer off . . . . .	35
Turning on the buzzer. . . . .	35
<b>Cleaning and care</b> . . . . .	36
Cleaning the filters in the wash cabinet. . . . .	36
Cleaning the spray arms . . . . .	38
Cleaning the drain pump and non-return valve. . . . .	39
Cleaning the water inlet filter. . . . .	40
Cleaning the wash cabinet. . . . .	41
Cleaning the door and the door seal . . . . .	41
Cleaning the control panel. . . . .	41
Cleaning the door panel. . . . .	41
<b>Problem solving guide</b> . . . . .	42
<b>After sales service</b> . . . . .	44
<b>Accessories</b> . . . . .	45
<b>Comparison tests</b> . . . . .	46
<b>Dishwasher installation</b> . . . . .	49
<b>Electrical connection</b> . . . . .	67
<b>Plumbing</b> . . . . .	68
<b>Technical Data</b> . . . . .	73

# Guide to the appliance

## View of the machine



## Control panel (12)





- 1 Upper spray arm (not visible)
- 2 Cutlery tray
- 3 Upper basket
- 4 Water guide duct for middle spray arm
- 5 Middle spray arm
- 6 Water hardness selector
- 7 Lower spray arm
- 8 Four height adjustable levelling legs
- 9 Combination filter
- 10 Salt reservoir
- 11 Dual compartment detergent dispenser
- 12 Control panel
- 13 Rinse aid reservoir (with dosage selector)
- 14 Adhesive label with programme names
- 15 Data plate
- 16 Indicator lamps
- 17 programme touch pads
- 18 Top Solo touch pad
- 19 O - OFF touch pad
- 20 I - ON touch pad

## Programme label


An adhesive label listing the programme names is supplied with the dishwasher. It should be placed in the indented area next to the programme touch pads.

- Make sure that the indented area is free of dust and grease.
- Remove the backing from the label and place it into the indented area.
- Remove the protective cover from the label.

## Indicator lamps

-  "Add salt" indicator lamp
-  "Add rinse aid" indicator lamp

## Programme touch pads

- ① UNIVERSAL 65 °C / 150 °F
  - ② UNIVERSAL 55 °C / 130 °F
  - ③ ECONOMY 55 °C / 130 °F
  - ④ CHINA & CRYSTAL 45 °C / 115 °F
  - ⑤ NORMAL 55 °C / 130 °F
-  Top Solo
- OFF - touch pad
- | ON - touch pad

Note: Lower basket is not shown.

# IMPORTANT SAFETY INSTRUCTIONS

## WARNING

**When using your dishwasher, follow all basic safety precautions.**

**This appliance conforms to all uniform safety codes and regulations. To avoid injury and machine damage, read the operating instructions carefully before using the dishwasher.**

**The manufacturer cannot be held responsible for damage or injury caused by improper use or for uses other than those for which the appliance is intended.**

■ This dishwasher is intended exclusively for cleaning domestic crockery and cutlery in a domestic household. Do not use for purposes other than those for which it was designed. Any other applications may be dangerous.

■ Repairs should only be carried out by qualified personnel. Disconnect the appliance from the power supply before servicing (pull out the plug or turn off the circuit breaker).

■ Only install the dishwasher under a continuous countertop which is secured to adjacent cabinetry.

■ The dishwasher must be electrically grounded. Install the dishwasher as per the included Installation instructions.

■ Use only detergents and rinse aids recommended for dishwashers.

■ Do not use commercial or industrial grade detergents, as these may cause adverse chemical reactions and damage the machine. Use detergents made for residential dishwashers only.

■ Do not use your dishwasher unless all enclosure panels are properly in place.

■ Do not let small children play with the dishwasher and its controls or operate it. There is a danger that children playing might shut themselves in the dishwasher. Please supervise its use by the elderly or infirm.

## FOR HOUSEHOLD USE ONLY

# IMPORTANT SAFETY INSTRUCTIONS

---

■ Keep all detergents and rinse aids out of the reach of children.

■ Dishwasher detergents contain Sodium Silicate and Sodium Carbonate. In case of eye contact, immediately flush with water. Call a physician or poison control.

■ Do not tamper with the controls.

■ Do not drink the water from the wash cabinet.

■ When loading items to be washed:

- Locate pointed items so that they are not likely to damage the door seal.
- Load knives with the cutting edge down to reduce the risk of injuries.

■ Do not wash plastic items unless they are labeled “dishwasher safe” or the equivalent. For items not labeled, check the manufacturer’s recommendations.

■ Do not abuse, sit, or stand on the door or dishracks of the dishwasher.

■ Remove the front door and cut off the power cord of the dishwasher before removing it from service or discarding it. This will help protect children from injury and accidentally locking themselves in.

■ Under certain conditions, hydrogen gas may be produced in a hot water system that has not been used for two weeks or more. HYDROGEN GAS IS EXPLOSIVE. If the hot water system has not been used for such a period, turn on all hot water faucets and let the water flow from each for several minutes before using the dishwasher. This will release any accumulated hydrogen gas. Do not smoke or use an open flame during this time.

■ For safety reasons do not operate this appliance on an extension cable. Danger of overheating.

■ A damaged appliance is dangerous. Switch off the mains and call the Service Department for assistance.

## **Dishwashers with heating element**

■ Do not touch the heating element during or immediately after use.

# SAVE THESE INSTRUCTIONS

# Caring for the environment

---

## **Disposal of the packing material.**

The packaging material protects the appliance during shipping. It has been deliberately designed to be biodegradable and recyclable. Please dispose of these materials as you would any other recyclable products.

## **Disposal of your old machine.**

Old machines contain materials which can be recycled. Please contact your local recycling center or scrap merchant about the possibility of recycling these materials and make certain the machine has been made child resistant as outlined in the "Important safety instructions", before disposing of the appliance.

## **Energy saving washing.**

These dishwashers are exceptionally efficient in their use of water and electricity. You can make the most of your appliance by following these tips:

- Make full use of the baskets without overloading the dishwasher for the most economical washing.
- For small loads:  
Select the "Top Solo" function (see "Additional features" chapter).
- Choose a programme that best suits the degree of soiling and the type of dishes being washed.
- If baskets are only half full, use the ECONOMY programme.
- Use the correct amounts of detergent and rinse aid.



# Before using for the first time

Before using for the first time please note the following points:

## Setting the water softener.

The water softener must be set to correspond to the water hardness in your area. This can be obtained from your local water company, or by using a test kit that can be purchased from the Miele Parts Department (part no. 0014619).

The salt reservoir must **only** be filled with water and salt. Never fill it with detergent.

## Adding rinse aid.

**Inadvertently filling the rinse aid reservoir with liquid or powder detergent will damage the reservoir.**

Only use detergents and rinse aids formulated for domestic dishwashers.

## Add the correct amount of detergent.

Follow the recommendations on page 26 to determine how much detergent to use. Not enough or too much detergent can lead to poor wash results.



Overdosing, in combination with soft water and high water temperatures, can lead to cloudy glassware.

Cleaning results vary from brand to brand. If you are not satisfied with the results from one brand, try another quality brand before contacting the Miele Service Department for advice.

## It is important to choose the correct programme.

Different wash programmes should be selected for different loads and different degrees of soiling. See the programme chart for further programme descriptions.

When the dishwasher is run for the first time, the selected programme will not start for approximately 7 minutes.

During these 7 minutes, the Water softener reactivation programme is run, and the   indicator lamp will be on.

## Load the dishes correctly.

Load the dishes so that water can contact all surfaces. Ensure that the spray arms are not blocked by items which are too tall for the basket or which extend through the bottom of the basket. If necessary, manually rotate the spray arms to test for clearance.

**The combination filter in the base of the wash cabinet and the spray arms must be kept clean.**

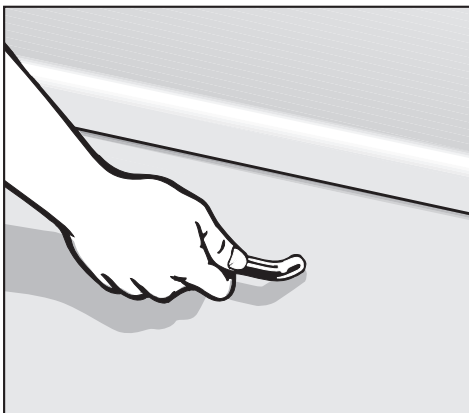
The spray arms and the filters should be periodically checked and cleaned if necessary.

See the corresponding chapters for detailed information on the above points.

# Opening and closing the door

---

## To open the door.



- Pull on the handle.

If the door is opened during operation, all machine functions will automatically be interrupted.

### Note:

To open the dishwasher door if the front panel has not yet been installed, see Step 3 of the “Installation” instructions, found later in this manual.

## To close the door

- Push the baskets in.
- Lift the door and push until it clicks closed.

**If the water hardness in your area is under 150 ppm (mg/l) you should not activate the built-in water softener with salt. This could lead to problems including cloudy glassware.**

The water hardness in your area can be obtained from your local water company or by using a test kit that can be purchased from the Miele Parts Department (part no. 0014619).

If your water hardness is above 150 ppm (mg/l), the water should be softened to avoid the build up of calcium deposits on dishes, cutlery and in the dishwasher.








The dishwasher is factory set for a hardness level of 20 - 70 ppm (mg/l). If your water is harder or softer, the setting will need to be adjusted.

**To ensure a steady supply of softened water, the built in water softener must be:**

1. Correctly set.
2. Reactivated with salt when depleted.

Where the water hardness fluctuates (e.g. 140 - 310 ppm (mg/l)) always set the machine to the lower value (140 ppm (mg/l) in this example).

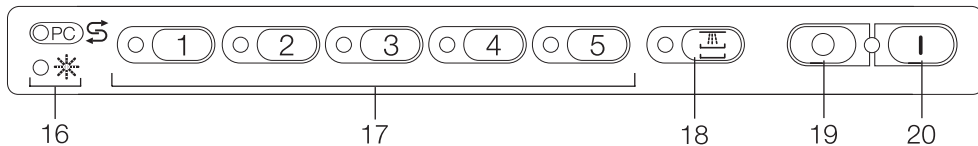
**Programming Table (see next page for programming instructions)**

ppm (mg/l)	gr/lmpgal	touch pad/indicator lamp	Selector setting (internal)
<b>*20- 70</b>	1.4 - 4.9	①	6
90- 110	6.3 - 7.7	②	6
130	9.2	③	6
140- 180	9.8 - 12.6	④	6
200- 220	14.0 - 15.4	⑤	6
230	16.1	 + ①	6
250- 290	17.5 - 20.4	 + ②	6
310- 400	21.8 - 28.1	 + ③	6
410- 630	28.8 - 44.2	 + ④	6
650- 850	45.6 - 59.6	 + ⑤	4
860-1170	60.4 - 82.1	 + ⑤	5
1190-1260	83.5 - 88.4	 + ⑤	6

\* factory setting

# Water Softener

---




## Programming the water hardness

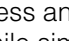
The Programme touch pads are used to set the water hardness. Each pad can be used alone (level 1) or in combination with the “Top Solo” pad (level 2) to programme the hardness to the valve determined using the Programming Table on the previous page.

For example, to set a level 1 value (from 20 - 220 ppm (mg/l)), only a numbered Touch pad will have to be pressed.

To programme a level 2 value (from 230 - 1260 ppm (mg/l)), both the “Top Solo” pad and a numbered Touch pad will have to be pressed.

The “ S” indicator lamp will flash as long as you are in the programming mode.

## To programme the water hardness, proceed as follows:

- Open the door.
- Turn off the dishwasher.
- Press and hold buttons ① and ③ while simultaneously turning on the dishwasher. The “ON” indicator lamp will light and the “ S” and ② lamps will flash.

## The “ S” indicator lamp will flash as long as you are in the programming mode.

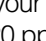
If any other indicator lamps flash, turn off the dishwasher and start again.

Depending upon what “Additional Features” are currently programmed into your machine, other indicator lamps may also illuminate. These should be ignored for the time being.


- Press Touch pad ② to enter the data entry mode. The ② indicator lamp will stop flashing and go out. (Exception: if a hardness level of 90 -110 ppm (mg/l) has been set previously, the ② indicator lamp will stop flashing and remain lit).



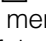
**A)** If your Water hardness is 220 ppm (mg/l) or less, press the touch pad that corresponds to the level you want to set (see the Programming Table on the previous page). As long as the selected pad is depressed, its indicator lamp will remain lit. When the touch pad is released, the ② lamp will once again flash.

## OR

**B)** If your Water hardness is greater than 220 ppm (mg/l), press  to access programme level 2 first (its indicator will light), then press the required numeric touch pad. Once the numeric pad is released, the ② will once again flash.

## Example:


If the water hardness is 450 ppm (mg/l), press  first, then press the ④ touch pad. When ④ is released, the ② indicator will flash.

- Press  once to enter the setting; its indicator will light up.
- Press  once more to store the setting in memory. The  indicator will flash if the value has been stored correctly.
- Turn off the dishwasher. The water hardness is now programmed.

# Water Softener


---

## To check the programmed water hardness:

- Open the door.
- Turn off the dishwasher.
- Press and hold buttons ① and ③ while simultaneously turning on the dishwasher. The “ON” indicator lamp will light and the “ S” and ② lamps will flash.

If any other indicator lamps flash, turn off the dishwasher and start again.

Depending upon what “Additional Features” are currently programmed into your machine, other indicator lamps may also illuminate. These should be ignored for the time being.

- Press Touch pad ② to check the water softener setting currently stored.
- If a water hardness between 20 and 220 ppm (mg/l) is stored, the indicator lamp next to the corresponding touch pad will illuminate (see the Programming Table). If no lamp lights up, a hardness level greater than 220 ppm (mg/l) was set. In this case:
  - Press the  button. The indicator lamp that corresponds to the stored hardness level will illuminate.
- Turn off the dishwasher.

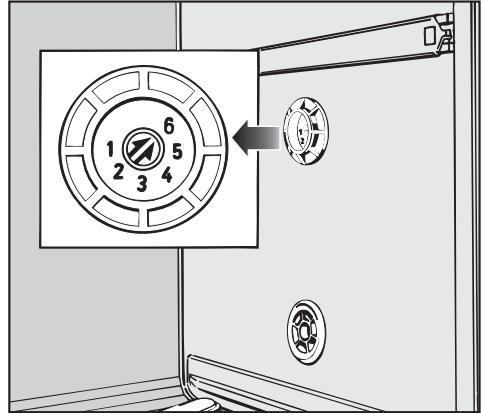
## Setting the water hardness selector inside the wash cabinet.

The water hardness selector is factory set to position 6. It should only be reset if your water hardness is in the range of 650 - 1170 ppm (mg/l).

ppm (mg/l)	gr/lmpgal	water hardness selector (Position)
20- 630	1.4 - 44.2	6*
650- 850	45.6 - 59.6	4
860-1170	60.4 - 82.1	5
1190-1260	83.5 - 88.4	6*

\* = factory setting

Do not set the selector on positions 1 - 3.



- Using a screwdriver, remove the cover from the water hardness selector.
- Using a coin or screwdriver, turn the selector dial to the desired setting.

Example:

If the water hardness is 670 ppm (mg/l), set the selector to position 4 (650 - 850 ppm (mg/l)).

- Replace the cover on the water hardness selector.

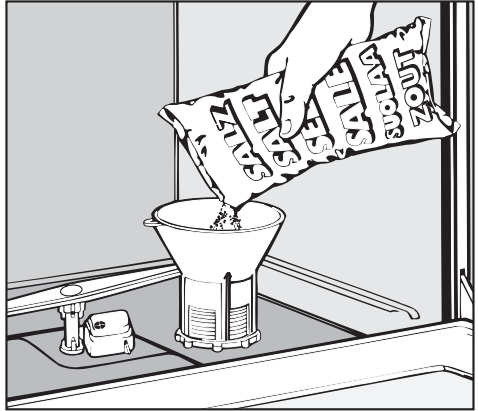
# Water Softener

## Filling the salt reservoir.

The salt reservoir should be filled before the first use and whenever the “**OPD S**” indicator lamp lights up. Use water softener reactivation salt (1 - 4mm grain size), as other salts may contain insoluble additives which can impair the functioning of the softener and settle on glassware.

We recommend “Somat” salt (2kg) available from Miele (article no. 21997603).

The salt reservoir holds approx. 2 kg (4 lbs) of salt.



Before filling the salt reservoir for the first time:

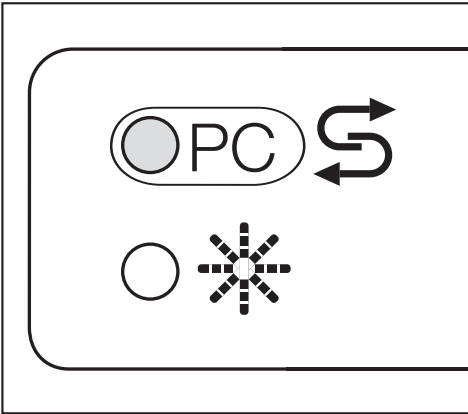
Fill the salt reservoir with approximately 2 litres (2 qts) of water.

Inadvertently filling the salt reservoir with dishwashing detergent will damage the water softener. Make sure that only water softener reactivation salt of the proper grain size is used

- Remove the lower basket.
- Unscrew and remove the salt reservoir cap.
- Place the funnel (provided) over the salt reservoir.
- Carefully fill with salt. As it is filled, water will run out .
- Clean any excess salt from the threads of the reservoir opening.
- Screw the cap on firmly.
- Run the UNIVERSAL programme immediately to remove any traces of salt from the cabinet.



## Salt indicator.



When the salt reservoir is empty, the “**PC** **S**” indicator lamp will light, notifying you that the reservoir should be re-filled with reactivation salt.

Once filled, the dishwasher will automatically reactivate the softener when necessary. The “**PC** **S**” indicator lamp will light up whenever the reactivation process is being performed.

### Note:

If the water used is very soft (below 150 ppm (mg/l)), further softening is not required and the “**PC** **S**” indicator lamp will remain lit. It can be disregarded or bypassed using the following procedure.

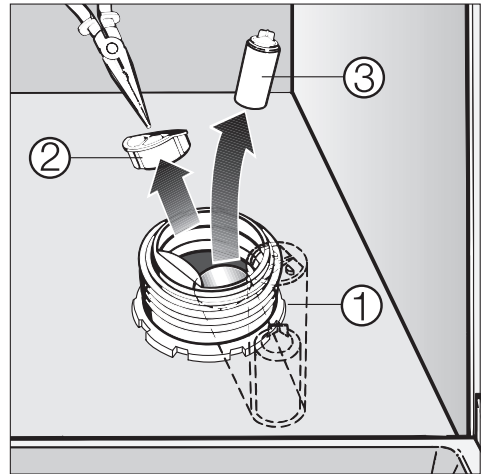
The “**PC** **S**” button has also been designed for future programme updates (PC). See the “After Sales Service” section for further details.

## Bypassing the Salt indicator lamp.

In order to bypass the salt indicator lamp, you will need a screwdriver and needle nose pliers.

- Remove ONLY the salt reservoir cap.

Looking into the salt reservoir, you will see the top of the float chamber on the right hand side ①.



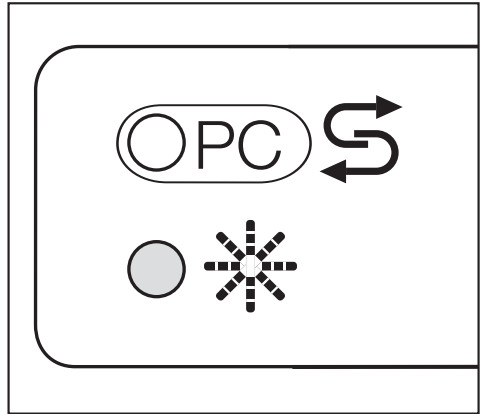
- Using a screwdriver, carefully pivot the float chamber towards the center of the reservoir.
- Using the needle nose pliers, first pull the cap ② off of the float chamber, then remove the float ③.
- Replace the float chamber cap, push the chamber back into its upright position, and replace the salt reservoir cap. The indicator lamp will now remain off.

# Adding rinse aid

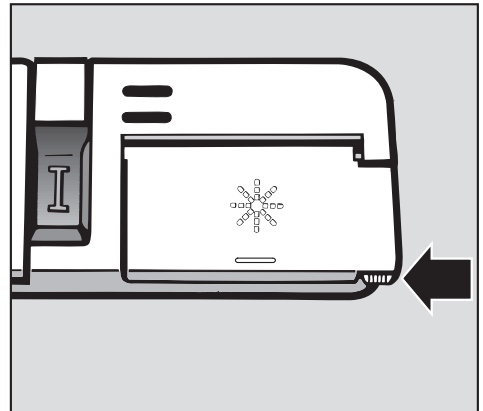
The use of Rinse Aid (for example, Jet-Dry®) is recommended to prevent spotting on dishes and glassware that normally occurs during the drying phase of automatic dishwashing, as well as to aid the drying result.

Inadvertently filling the rinse aid reservoir with detergent always leads to damage to the reservoir. Only pour rinse aid formulated for residential dishwashers into the reservoir.

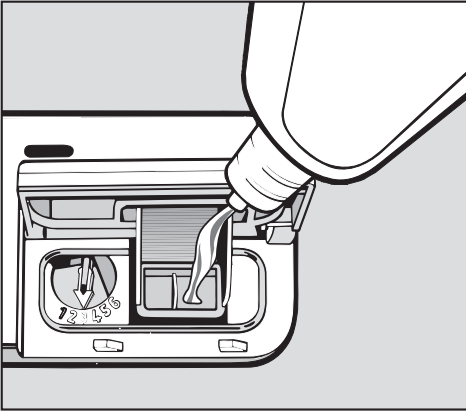
## Adding rinse aid.



- Add Rinse Aid before the first use and anytime the \* indicator lamp comes on.



- Press the button in the direction of the arrow until the flap springs open.



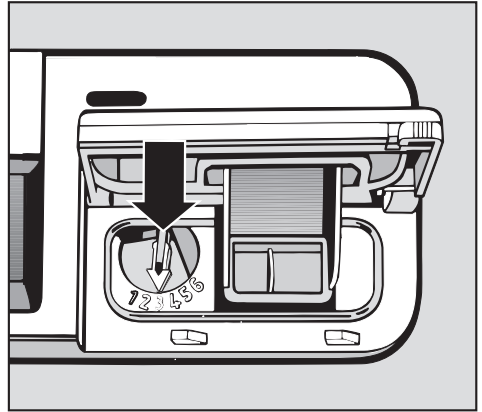
- Pour liquid rinse aid into the storage container until it is visible on the surface of the screen. Do not add any more rinse aid until the \* indicator lamp comes on.

Only use rinse aid specifically labeled for residential dishwashers. Inadvertently using powder or liquid detergents will damage the rinse aid dispenser.

- Close the flap firmly. The flap must audibly engage, otherwise water could get into the rinse aid storage container during the programme.
- Wipe up any spilled rinse aid. This prevents over-foaming occurring during the next programme.

The flap should remain closed during normal operation.

### Setting the dosage.



The dosage selector comes factory set to 3. The setting dispenses approximately 3 ml rinse aid per programme. It can be adjusted from 1 to 6, depending on your requirements. It is best to use the lowest setting that will still give good results for your water supply.

- If spots appear on dry glassware, use a higher setting.
- If streaking appears on dishes or glasses, use a lower setting.

# Loading the dishwasher

---

- Scrape food and other solid waste such as bones and pits from dishes, but do not rinse.
- Load the dishes so that water can reach all surfaces.
- Do not place dishes and cutlery inside other pieces where they may be concealed.
- Hollow items such as cups and glasses should be inverted and placed in the upper basket.
- Concave based items should be placed at an angle so that water can run off them freely, or placed on top of the coffee bar (see page 23).
- Tall, narrow, hollow pieces should be placed in the center of the basket, rather than in the corners, to ensure water coverage.
- Small cups and glasses should be placed on the cup racks. Taller mugs and glasses can be placed underneath the rack.
- The spray arms must not be blocked by items which are too tall or hang through the baskets. If in doubt, test for free movement by manually rotating the spray arms.
- Some food items may contain natural dyes that can discolor plastic items in the dishwasher ( e.g. carrots, tomatoes, ketchup, etc.). The stability of plastic items is not affected by this discoloration. It will gradually disappear over time.

Some loading examples are shown on the following pages.

## Note

If the additional feature “Top Solo” has been selected with a wash programme, all items must be loaded into the upper basket and cutlery tray. See the “Additional features” section for further information.

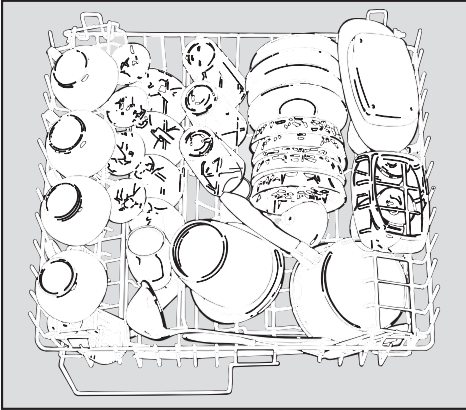
Do not touch the heating element during or directly after the end of a programme as it may still be hot.

In areas where the water has high mineral content, it may be necessary to polish silverware after washing to achieve a high shine.

# Loading the dishwasher

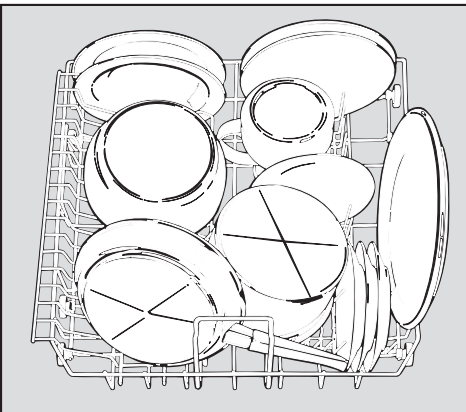
## Loading examples.

### Upper basket.



For small, lightweight, or delicate items such as cups, saucers, glasses, dessert bowls, etc. and also heat sensitive plastic ware.

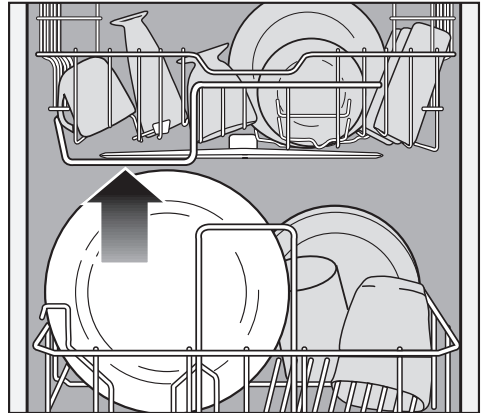
### Bottom basket.



For larger and heavier items such as plates, serving platters and saucepans. Glasses should only be placed in the bottom basket if the special glassware insert is used.

The plate inserts on the left and right rear of the lower basket are removable. To remove, push the handles of both inserts toward the inside of the basket. Once removed, the open area can accommodate large pots, casserole dishes, or accessory inserts (see "Accessories").

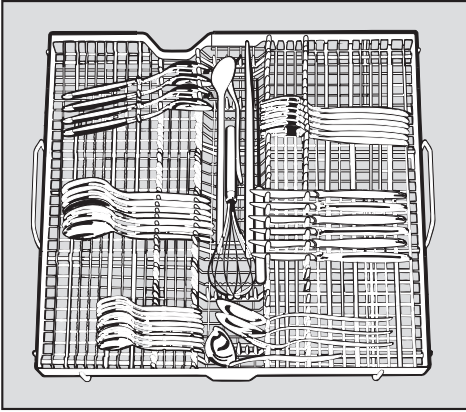
### Height limit



The height guard at the base of the upper basket is there to protect the middle spray arm. No object placed in the lower basket should stand higher than this guard.

# Loading the dishwasher

## Cutlery tray.

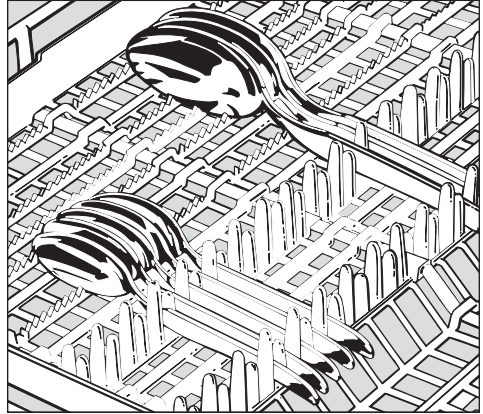


To make unloading easier, cutlery can be grouped in zones, one for knives, one for forks, etc.

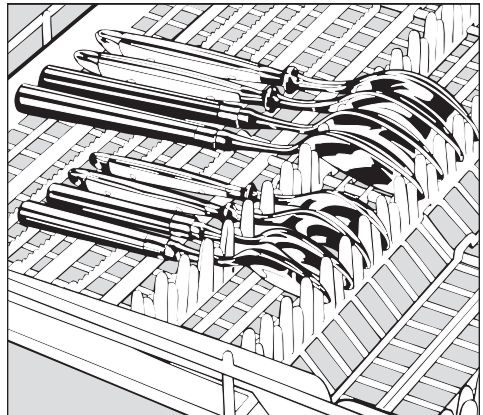
Larger items like sauce ladles, cake slices, long knives and mixing spoons can be placed lengthwise in the trough in the centre of the tray.

Make sure the upper spray arm can rotate freely after sliding in the cutlery tray. Rearrange any items that are in its way.

The cutlery tray insert is removable (depending on model).



Ensure that spoon heads are in contact with at least one of the grips in the cutlery tray. This way they cannot collect water.

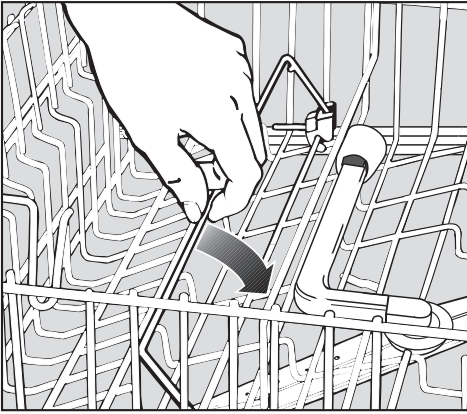


Cutlery with round or oval handles should be placed with the heads in the grips as this prevents item slipping.

If putting the spoons this way round, make sure the spoon heads touch at least one of the strips on the floor of the tray, so that the water still runs off.

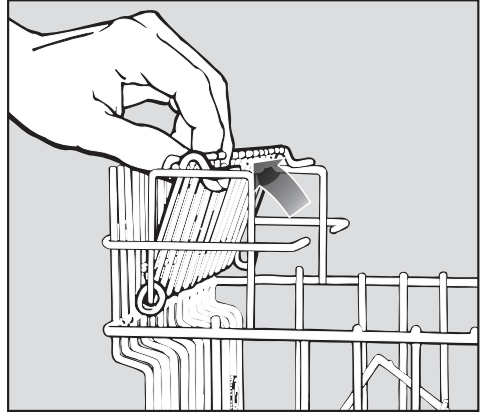
# Loading the dishwasher

## Coffee bar.



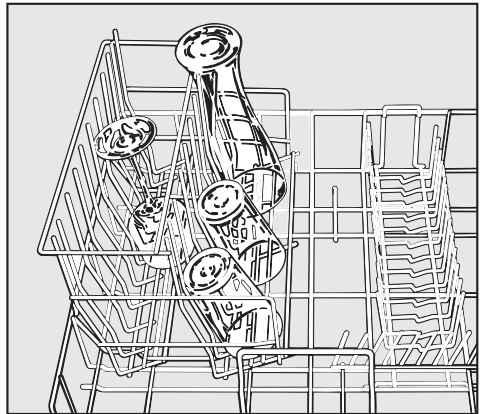
Place coffee mugs on top of the bar so that they sit at a slant. This allows all water to run off the base of the mug. The bar can also be used as a separator between two rows of glasses keeping them from leaning against each other. This protects the glasses and ensures good wash results. For wide items, flip the bar over to the right.

## Adjustable cup racks.



To make room for tall glasses, raise the rack upwards. Lower it to double stack smaller items.

## Insert for glasses



The glassware insert can be installed in the left or right side of the bottom basket in place of the removable plate insert.

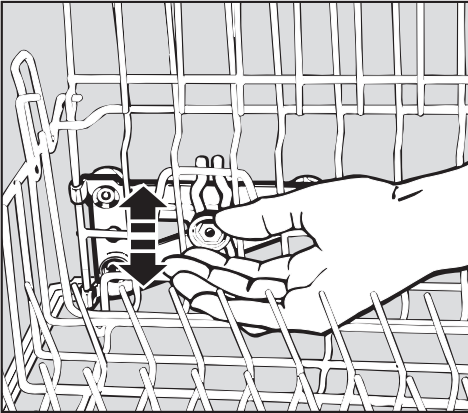
Very tall glasses can then be loaded vertically so that they are washed more effectively.

# Loading the dishwasher

## Adjusting the upper basket.

(depending on model)

The upper basket height is adjustable. If tall items of dishware are being washed, more room can be obtained by raising or lowering the upper basket.



- Pull out the upper basket and loosen the two locknuts on either side of the basket.
- Adjust the basket up or down to the desired height.
- Tighten the locknuts.

The upper basket can also be set on an angle, with one side high, and the other side low. Ensure however that the basket can be inserted smoothly into the cabinet.

Depending on the setting of the upper basket, the following dishware dimensions can be accommodated:

Upper basket position	Upper basket diameter	Lower basket diameter
Top	20.5 cm (8")	30 cm (12")
Middle	22.5 cm (9")	28 cm (11")
Bottom	24.5 cm (9 1/2")	26 cm (10")



# Items not suitable for dishwashers

---

- Cutlery with wooden handles.
- Wooden cutting boards.
- Glued items such as old knives with handles that are glued together around the shank of the blade.
- Hand made craft items.
- Copper or tin items.
- Plastic items which are not heat resistant.
- Carefully follow washing and dishwasher detergent dosing instructions in soft water areas. Water temperatures above 50° C in combination with soft water and detergent are extremely aggressive and will lead to glassware etching.

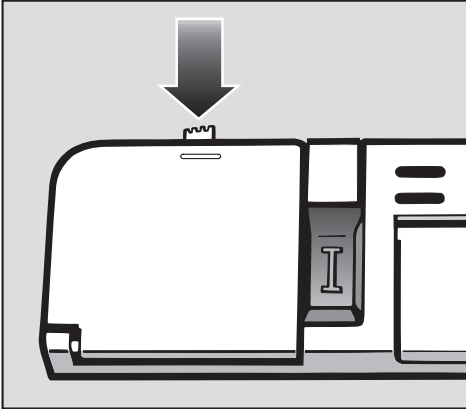
## Miele recommends:

### **Please note:**

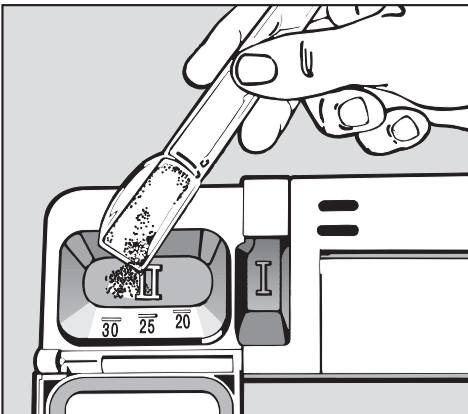
- Silver or aluminum items may suffer some discoloration.
- Aluminum parts (eg. oven hood grease filters) should not be cleaned using commercial or industrial detergents. These high alkaline detergents may damage the machine, and in extreme instances, cause explosive chemical reactions.
- Silverware previously cleaned with a silver polish may be damp or spotted at the end of a programme where water has adhered to the polish. This can be rubbed off with a soft, dry cloth. Silver that has previously been cleaned in an immersion dip is usually dry at the end of a programme, but may discolor (tarnish).
- Colors on dishware that have been painted over the glaze may fade over time.
- Clouding may occur on glasses after frequent washing.
- Scraping, but not pre-rinsing your dishes.
- Using the minimum amount of detergent possible to get the dishes clean.
- Washing delicate glassware using the ECONOMY programme or the CHINA & CRYSTAL programme (if so equipped). This will reduce the risk of clouding.
- Since there are no standard guidelines for washing all types of glassware, when in doubt, wash by hand.
- When purchasing new dishes and cutlery, make sure they are dishwasher safe.

# Adding detergent

Use only powder detergents formulated for residential dishwashers (for example, Electrasol®). **Do not use gels or liquid detergents.**



- Press the latch on the detergent dispenser. The cover will spring open.
- Fill the dispenser using approximately 20 - 25 ml (3/4 - 1 ounce) of a quality powder detergent.



- Close the cover. The cover will always be open at the end of a wash programme.

Generally, filling the dispenser with 20 - 25 ml (3/4 - 1 ounce) of detergent will be sufficient to ensure cleaning.

**Do not exceed a maximum of 30 ml.**

If you choose a programme utilizing the pre-wash you will also need to put detergent into the small compartment labeled (I) in the center of the dispenser.

Dishwasher detergents contain irritant and corrosive ingredients. They can cause burns in the mouth and throat if swallowed, or inhibit breathing. Keep children away from detergent and from the dishwasher when the door is open.

**To avoid the danger of children coming into contact with dishwasher detergent, only fill the detergent dispenser immediately before starting the programme.**

## Capacities:

Compartment I (pre-wash) takes a maximum of 25 ml (1 oz). Compartment II (main wash) has horizontal marks to assist you in filling. The marks indicate a level of approximately 20, 25 and 30 ml (3/4, 1 and 1 1/4 oz) respectively.

## Choosing a programme

---

The wash programme chosen should depend on the type of dishes and the degree of soiling.

In most cases the NORMAL programme or one of the UNIVERSAL programmes will give excellent results.

The available programmes and some of their applications are listed in the Programme Chart on the next two pages.

# Programme chart

Programme	When to use	Detergent		
		containing chlorine <sup>1)</sup>		chlorine free <sup>2)</sup>
		Compartment I (Pre-wash)	Compartment II (Main wash)	Compartment II (Main wash)
Normal and Universal programmes				
NORMAL 55 °C/130 °F (Touch pad ⑤)	for <b>normal</b> everyday loads, particularly suitable for chlorine-free detergents		100 %	100 %
UNIVERSAL 55 °C/130 °F (Touch pad ②)	for <b>normal</b> everyday loads	20 %	80 %	100 %
UNIVERSAL 65 °C/150 °F (Touch pad ①)	as UNIVERSAL 55 °C/130 °F, but with higher wash temperature for <b>stubborn dried on particles</b>	20 %	80 %	100 %
Special programmes				
ECONOMY 55 °C/130 °F (Touch pad ③)	for <b>full</b> loads with <b>very light soiling</b> (e.g. coffee cups), or: for <b>half a, normal</b> everyday load		50 % <sup>3)</sup>	50 % <sup>3)</sup>
CHINA & CRYSTAL 45 °C/115 °F (Touch pad ④)	"Gentle programme", for <b>lightly soiled</b> and <b>heat sensitive</b> tableware.		50 % <sup>3)</sup>	50 % <sup>3)</sup>

The dispensing method will depend on the type of detergent being used:

1) Use this method for:

- detergents which contain phosphates and chlorine.

**Divide the total amount, as shown, between compartment I and compartment II.**

2) Use this method for:

- detergent which is chlorine and phosphate free.
- detergent which is chlorine free but contains phosphates.

**In this instance the whole amount is placed in compartment II.**

3) Use half of the manufacturer's recommended amount of detergent.

# Programme chart

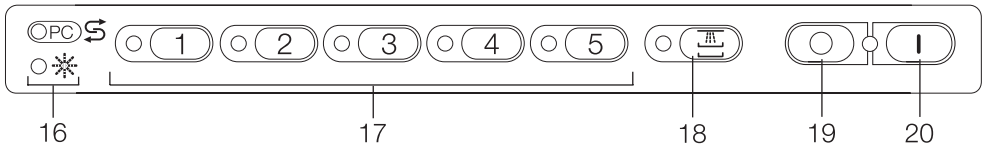
Programme cycle					USAGE		DURATION
					Electric (kWh)	Water	
Pre-wash	Main wash	Interim rinse	Final rinse	Drying	Water hot (49 °C / 120 °F)	Liters/ Imp.Gallons <sup>4)</sup>	Minutes
	X	X	X	X	1.1	14 / 3.1	110
X	X	X	X	X	0.9	19 / 4.2	113
X	X	X	X	X	1.2	19 / 4.2	121
	X	X	X	X	0.8 <sup>5)</sup>	14 / 3.1	85
X	X	X	X	X	0.5	19 / 4.2	70

4) Average consumption values are for a water hardness of up to 310 ppm (mg/l).

5) with half loads (7 place settings).

X = cycle used

# Operating the dishwasher



## Turning on.

- Open the door.
- Open the water valve (if it is closed).
- Press the “I” (ON) touch pad (20). The “ON” indicator lamp will light.

## Starting a programme.

- Press the touch pad for the desired programme. The indicator lamp for that touch pad will light.
- If so desired, select “Top Solo” (☰) before starting the programme. (see the “Additional features” section).
- Close the door. The machine will start.

### Note:

When required, the water softener reactivation process is performed before the wash programme. It may last several minutes. During this process the “OPC S” indicator lamp will be on.

The hardness of the water supply will dictate how often (after how many washes) the water softener needs to be reactivated. For example with a water hardness of 380 ppm (mg/l), reactivation will take place after every 3 programmes. With a water hardness of 140 ppm (mg/l), reactivation will only occur after 8 programmes.

Do not cancel the programme prematurely, as important programme steps such as preparing the water softener may be left out.

## End of Programme.

A buzzer will sound at the end of the wash programme.

This buzzer is then repeated for one hour at ten minute intervals.

You can turn this buzzer off, if so desired (see “Additional features”).

## Interrupting a programme.

A programme can be interrupted by opening the door.

If the door is once again closed, the programme will continue from the point of interruption.

### **Warning!**

**The water in the dishwasher may be hot, and steam may be present! Only open the door if absolutely necessary and exercise extreme caution when doing so. The danger of burns and scalding exists. Once opened, close the door nearly fully and allow 20-30 seconds for the internal temperature to equalize before shutting it completely.**

## Changing a programme.

A programme can only be changed before the door is closed. If a programme has already started, turn off the dishwasher, and re-select a programme.

## Turning the dishwasher off.

At the end of a programme:

- Open the door slightly. The indicator lamp in the programme touch pad will go out.

If the programme indicator lamp is still lit, the programme has not yet finished. Close the door to allow the programme to finish.

- Press the “O” (OFF) touch pad (19). The indicator lamp will go out.
- Open the door completely and unload the dishwasher (see “Unloading the dishwasher”).
- Close the door.

If the dishwasher will not be used for an extended period of time,

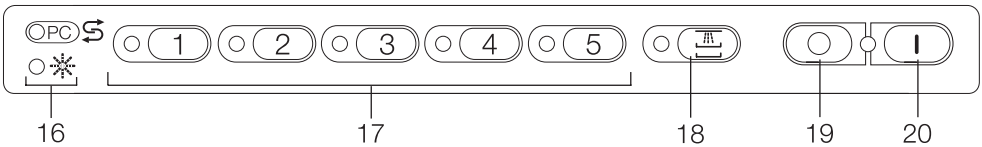
- Turn off the water valve.

## Unloading the dishwasher

---

- Dishes tend to break and chip easier when they are hot. Allow the dishes to cool until they are comfortable to handle before unloading them.
- If the door is opened slightly at the completion of the drying cycle, the dishes will cool much faster.
- Unload the lower basket first, then the upper basket and cutlery tray (if so equipped). This will prevent water drops from the upper basket or cutlery tray from falling onto the dishes in the lower basket.





## Top Solo (18)

When this feature is selected, the majority of the water is directed to the top and middle spray arms of the dishwasher. Its use is recommended when all the dishes and cutlery needing cleaning can be loaded into the upper basket and cutlery tray.

Note:


Lightly soiled plates or serving platters can still be placed in the bottom basket if large spaces are left between them. Do not place dishes, bowls or other hollow containers in the bottom basket. Adjusting the upper basket to its lowest position will allow it to accommodate larger plates.

Because smaller amounts of dishware are being washed, the amount of detergent used can be reduced accordingly.

Using “Top Solo” will also save water and energy.

For example, using “Top Solo” with the UNIVERSAL 55 °C/130 °F programme uses 12 litres (2.6 Imp. gallons) of water instead of the usual 19 litres (4.2 Imp. gallons).

“Top Solo” can be selected with all wash programmes.

- Choose a programme.
- Press the  (18) touch pad. The indicator lamp next to the touch pad will illuminate.
- Close the door to start the programme.

# Additional features

---

## Heated drying

A heating element is used to help dry the dishes in all wash programmes. The “Heated drying” feature can be turned off if desired. The dishes will then be dried using the residual heat inside of the machine. For faster drying, the dishwasher door can be opened 2" - 3" at the end of the programme to allow the moist air to escape.

### Turning off “Heated drying”.




To turn off “Heated drying”, proceed as follows:

- Open the door.
- Turn off the dishwasher.
- Press and hold buttons ① and ③ while simultaneously turning on the dishwasher. The “ON” indicator lamp will light and the “OPC S” and ② lamps will flash.


If any other indicator lamps flash, turn off the dishwasher and start again.

### The “OPC S” indicator lamp will flash as long as you are in the programming mode.

If the ① lamp lights up, “Heated drying” is already turned off. If the lamp is not lit, proceed as follows:

- Press the ① touch pad. The indicator lamp will light. “Heated drying” is now turned off.
- Press the  touch pad. Its indicator lamp will light up and indicator lamps ① through ⑤ will go out (if previously lit).
- Press touch pad  again. The  and “OPC S” indicators will flash.
- Turn off the dishwasher. The change has been stored and “Heated drying” is now turned off for all wash programmes.

### Turning on “Heated drying”.

In order to turn “Heated drying” back on, follow the same procedure, making sure the ① indicator lamp is off before storing the change using the  button.

### End of programme notification

A buzzer will sound to indicate the end of the wash programme. This buzzer can be turned off as follows:




#### Turning the buzzer off.

- Open the door.
- Turn off the dishwasher.
- Press and hold buttons ① and ③ while simultaneously turning on the dishwasher. The "ON" indicator lamp will light and the "OPC S" and ② lamps will flash.


If any other indicator lamps flash, turn off the dishwasher and start again.

#### The "OPC S" indicator lamp will flash as long as you are in the programming mode.

If the ④ lamp lights up, the buzzer is already turned off. If the lamp is not lit, proceed as follows:

- Press the ④ touch pad. The indicator lamp will light. The buzzer is now turned off.
- Press the  touch pad. Its indicator lamp will light up and indicator lamps ④ through ② will go out (if previously lit).
- Press touch pad  again. The  and "OPC S" indicators will flash.
- Turn off the dishwasher. The change is now stored and the buzzer is turned off for all wash programmes.

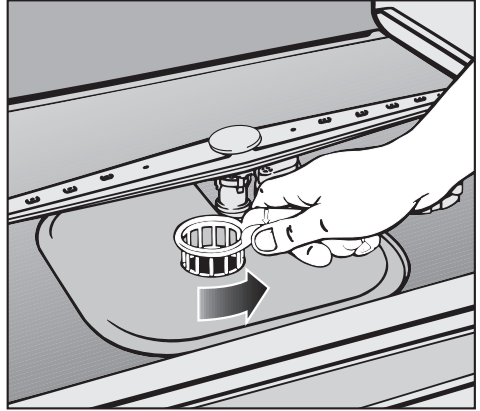
### Turning on the buzzer.

In order to turn the buzzer back on, follow the same procedure, making sure the indicator lamp is off before storing the change using the  button.

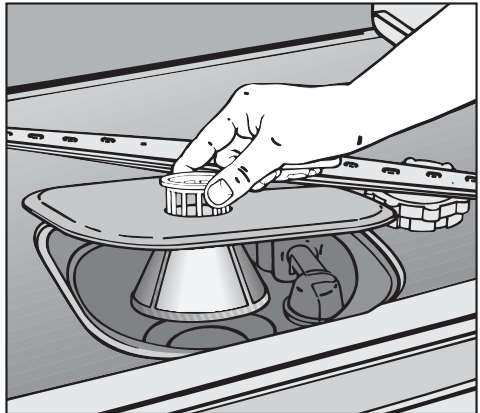
# Cleaning and care

## Cleaning the filters in the wash cabinet.

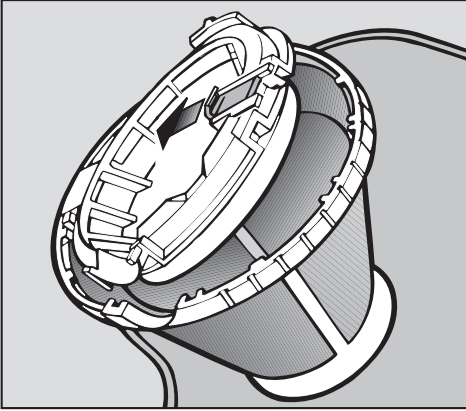
The combination filter in the base of the wash cabinet should be regularly inspected and cleaned as necessary. Any broken glass or dishware should be removed immediately upon discovery. Use caution when cleaning the filters, non-return valve or drain pump, as glass or bone splinters may be caught in the bottom of the wash cabinet.



- Turn the handle counterclockwise to release the filters.



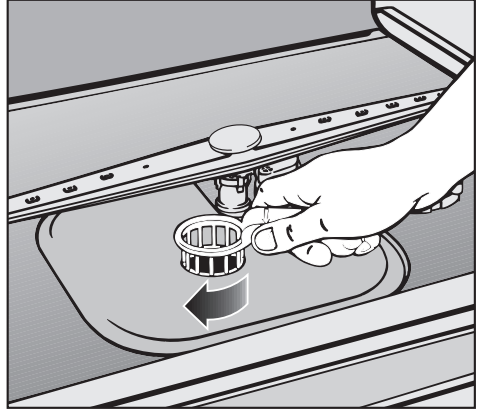
- Lift the combination filter out of the machine. Remove any coarse particles and rinse it under running water. A nylon brush can be used, if necessary.



- Turn the combination filter over and open the coarse filter cover by pulling back on the locking tab.
- Clean as for the combination filter, and press the locking device back in.

Important:

After cleaning, make sure that the locking device is properly locked.

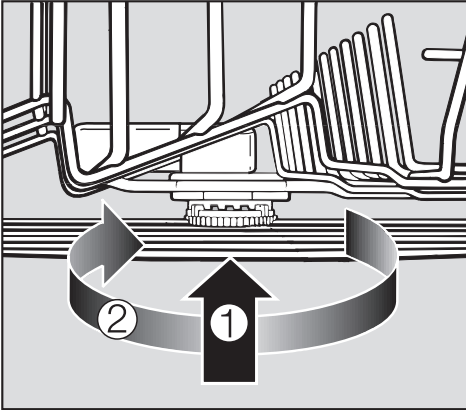


- Replace the combination filter so that it lies flat in the base of the wash cabinet. Secure it by turning the handle clockwise.

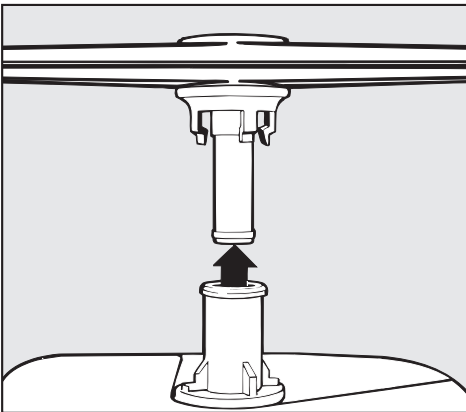
# Cleaning and care

## Cleaning the spray arms

On rare occasions particles of food may get stuck in the spray arm jets. They can be easily cleaned as follows.



- Push up the middle spray arm ① to engage the tooth-wheel mechanism. Then unscrew the spray arm ②.



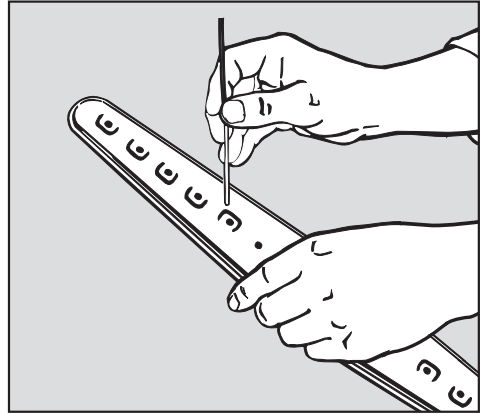
- Remove the lower basket and take out the lower spray arm (lift up as illustrated).

## Dishwashers with cutlery basket:

- Unscrew the upper spray arm.

## Dishwashers with cutlery tray:

- Pull out the cutlery tray.
- Lift up the upper spray arm to engage the tooth-wheel mechanism and then unscrew the spray arm.



- Using a sharp, pointed object, push the food particles into the jets and rinse well under running water.

### Please note:

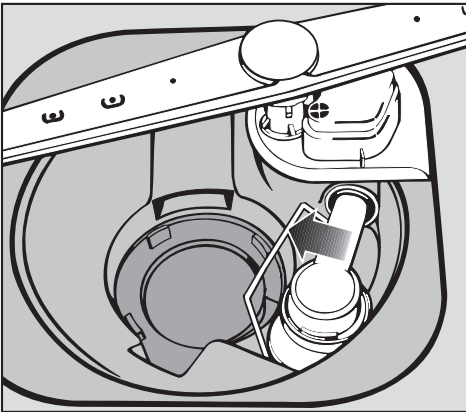
After replacing the spray arms, check that they move freely.

## Cleaning the drain pump and non-return valve.

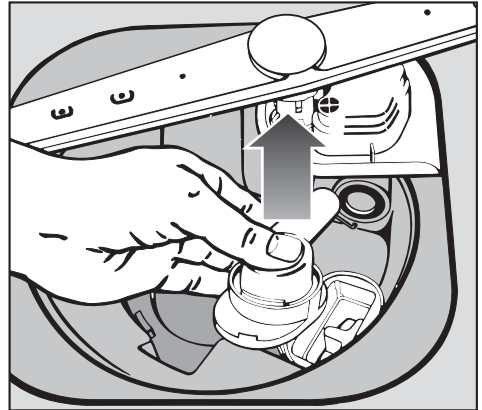
Use caution when cleaning the filters, non-return valve or drain pump, as glass or bone splinters may be caught in the bottom of the wash cabinet.

If the water in the dishwasher is not completely drained at the end of a programme, the drain pump or non-return valve may be blocked. To clean them:

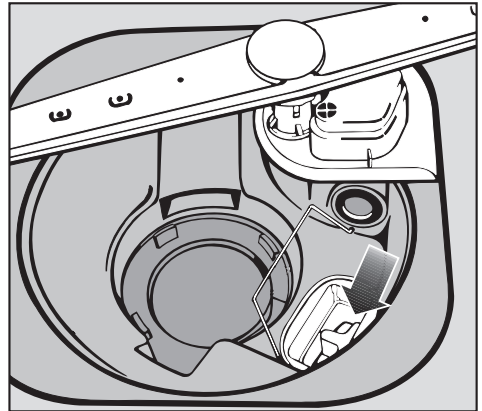
- Remove the combination filter.
- Use a jug or bowl to scoop water out of the wash cabinet.



- Tilt the locking clamp to the side.



- Pull out the non-return valve.
- Rinse the non-return valve under running water.



The drain pump is situated under the non-return valve (see arrow).

- Before replacing the non-return valve, check to make sure that nothing is obstructing the drain pump. Spin the propeller several times in both directions; it should turn smoothly.
- Carefully replace the non-return valve and secure it with the locking clamp.
- Replace and secure the combination filter.

# Cleaning and care

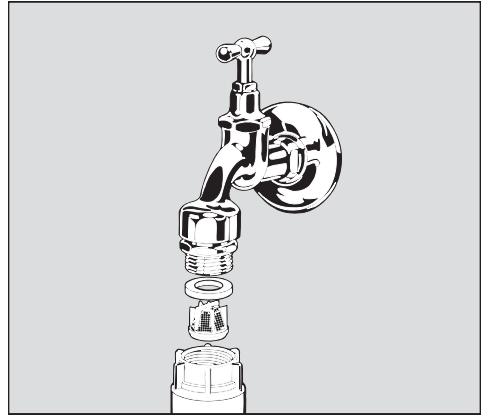
---

## Cleaning the water inlet filter.

The water valve housing on the inlet hose contains electrical components and should not be immersed, or run through water.

A filter is incorporated in the inlet hose that is attached to the dishwasher's main shutoff valve. If your water supply is hard, or the pipes contain sediment, this filter may clog and prevent sufficient water from entering the wash cabinet. It can be cleaned as follows:

## Cleaning the filter.



- Disconnect the dishwasher from the electrical supply (unplug it or shut off the circuit breaker).
- Turn off the main shutoff valve and unscrew the inlet hose.
- Carefully remove the rubber seal.
- Remove the filter using flat pliers and clean it with a toothbrush under running water.
- Replace the filter and seal. Make sure they are seated correctly.
- Screw the inlet hose back onto the water valve, making certain it is not cross-threaded.
- Slowly turn on the valve and test for leaks.



## Cleaning the wash cabinet

In general the wash cabinet is self-cleaning, provided that the correct amount of dishwasher detergent is used.

If however there are lime scale or grease deposits these can be removed with a proprietary dishwasher cleaner.

## Cleaning the door and the door seal

- Wipe the door seal regularly with a damp cloth and remove any particles of food.
- Wipe away any residue of food and drink spillage from the sides of the dishwasher door. These are not part of the wash cabinet and are not reached by water from the spray arms.

## Cleaning the control panel.

- The control panel can be cleaned using a damp cloth and mild detergent.

Do not use abrasive, all purpose or glass cleaners or ammonia, as their use may damage plastic surfaces.

## Cleaning the door panel.

- Plastic laminate panels should be cleaned using a suitable, non-abrasive cleaning agent, or mild soapy water.
- Panels made from wood should be cleaned using a soft damp cloth and an appropriate wood cleaner.

# Problem solving guide

---

With the aid of the following guide, minor problems can be easily corrected. If you are unable to correct the problem, please contact the Miele Service Department.

Miele cannot be responsible for problems resulting from improper installation or maintenance.

Any work on the electrical components of the appliance should only be performed by a qualified and trained person in accordance with local and national regulations. Unauthorized or incorrect repairs could cause personal injury or damage the machine.

## Problems/possible causes.

### The dishwasher does not start.

- The door is not closed properly.
- The plug is not inserted properly.
- The circuit breaker is defective or has tripped.
- A programme selection button has not been pressed.

### Shortly after starting a programme the dishwasher stops working

- The water shut-off valve is closed. \*
- The water intake filter is clogged (see “Cleaning and care”). \*
- Too little water may be entering the machine. This may be due to insufficient water pressure. \*
- The drain hose is kinked. \*
- The drain pump is blocked (see “Cleaning and care”). \*
- \* The Indicator lamp of the selected programme will flash when the door is opened if this is the problem.

## **The dishes are not clean**

- Old or improper detergent was used.
- The amount of detergent was used not correct (see “Adding detergent”).
- The drain hose is kinked. \*
- The drain pump is blocked (see “Cleaning and care”). \*
- The dishes are loaded uncorrectly.
- Dishes or cutlery are blocking the rotation of the spray arm.
- The filters in the wash cabinet are not clean or locked properly, or the spray arm jets are blocked (see “Cleaning and care”).
- The wrong programme was selected (see “Programme chart”).
- \* The Indicator lamp of the selected programme will flash when the door is opened after the programme has finished if this is the problem.

## **The dishes are not dry.**

- The “Heated drying” feature is turned off (see “Additional features”).
- The rinse aid reservoir is empty.
- Old or improper rinse aid was used.
- Old or improper detergent was used.

## **White residue is visible on cutlery and dishware.**

- Too much rinse aid was used (if water supply is soft). Use a lower setting (see “Adding rinse aid”).
- Too little rinse aid was used (if water supply is hard – higher than 140 ppm (mg/l)). Use a higher setting (see “Adding rinse aid”).
- Too much detergent was used.
- Drain is partially obstructed. Check the connection to the drain pipe.
- There is no salt in the salt reservoir.
- The salt reservoir lid is not screwed on properly.

## **Water remains in the dishwasher at the end of a programme.**

- The drain pump or non-return valve may be blocked (see “Cleaning and care”).
- The drain hose is kinked or clogged.
- The connector to the main drain piping is clogged.

## **All indicator lamps next to the programme touch controls are flashing after the door is opened at the end of a programme**

- There is a technical fault.
- Please call the Miele Service Department.

## After sales service

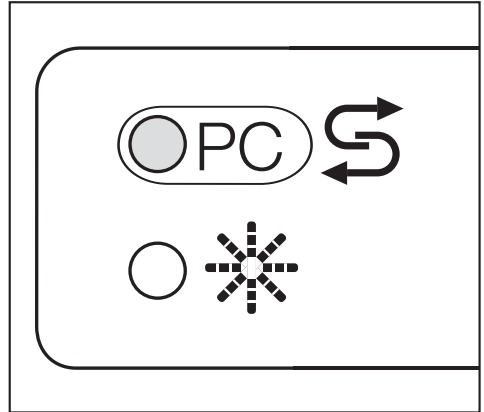
---

- Should you still have difficulties, please contact:
  - your Miele Dealer or
  - the Miele Service Department (See back cover for addresses).

Please have the model and serial number of your appliance available. This information can be found on the data plate on the right edge of the door.

### Programme Update Function - PC

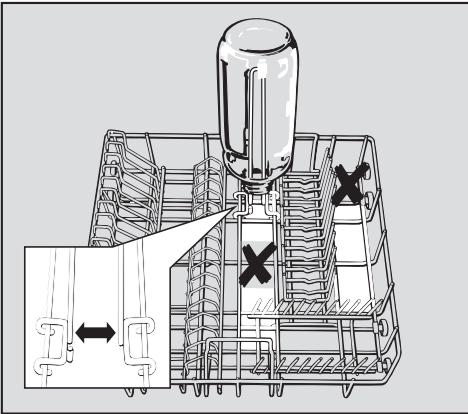
The Salt indicator lamp has a second function: It allows a technician with the proper equipment to access the programming of the dishwasher to take advantage of the latest technological developments.



For instance, if a detergent that gives good wash results using only cold water becomes available, the wash programmes can be changed to take advantage of this development to help reduce your energy costs.

## Bottle holder.

(depending on model)



A bottle holder (for milk or baby bottles) is available for use in the lower basket.

To achieve the proper cleaning results, the bottle holder should only be placed in the positions marked with white. **Do not** place them in the **X** marked positions.

## Installation – special situations

Brackets for use when installing a dishwasher under a solid countertop, such as marble or granite, are also available. Order part number 3341080.

## Special inserts

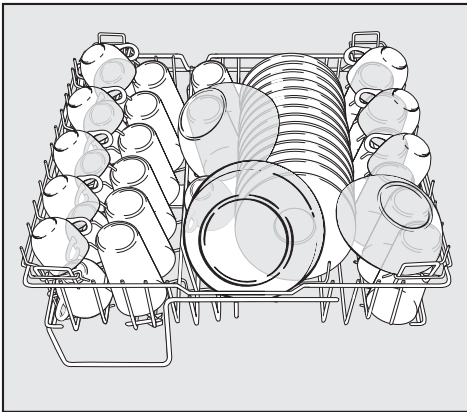
**Spike Rack** – for flexibility in loading different plates and pots in the lower basket.

**Cup Insert** – for safely washing additional cups in the lower basket.

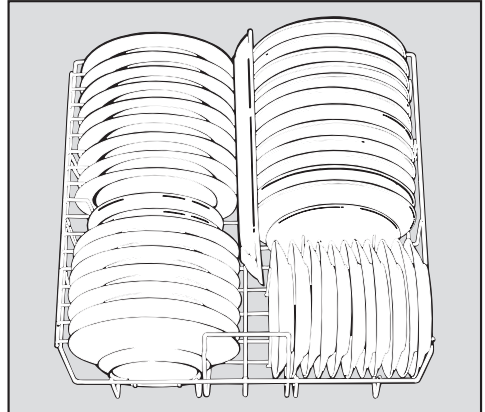
# Comparison tests

---

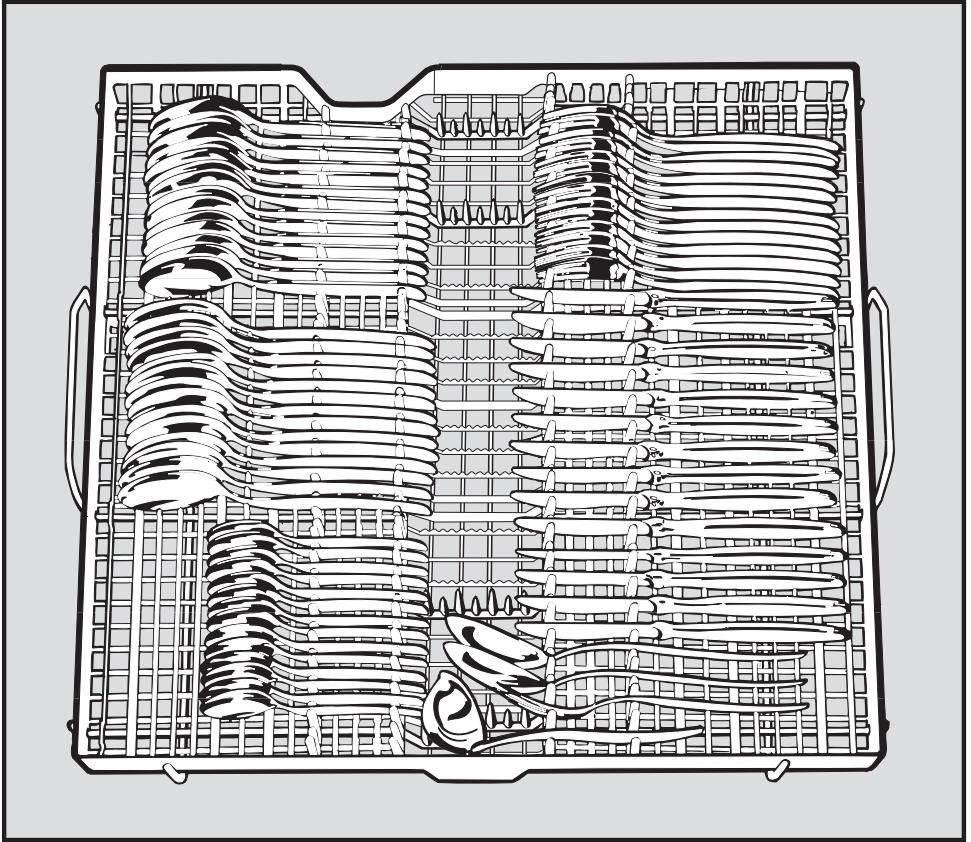
- Test standard:** IEC 436 / DIN 44990 / prEN 50242  
These illustration show how 14 place settings can be loaded. For normal mixed loads see “Loading the dishwasher”.
- Amount washed:** 14 place settings (full load)
- Programme tested:** UNIVERSAL 55 °C/130 °F
- Amount of detergent:** If using a detergent containing chlorine:  
5 g in compartment I, and 25 g in compartment II.  
If using a chlorine-free detergent:  
30 g only in compartment II.
- Rinse aid dispensing:** Setting 3 (approx. 3 ml, set at factory)



**Upper basket**



**Bottom basket**

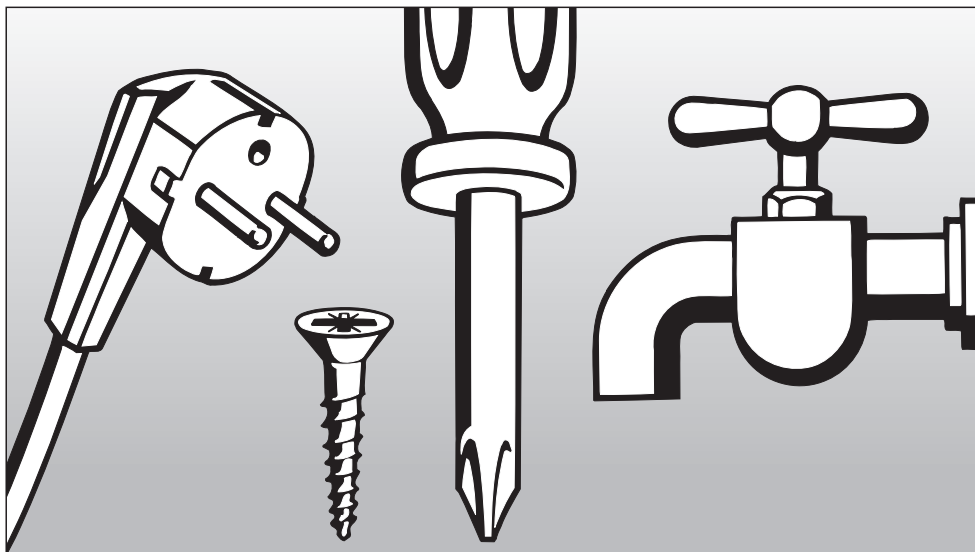


Cutlery tray





## Installation instructions



# Contents

---

## Dishwasher installation

1. Levelling the countertop. . . . .	51
2. For countertops with overhang. . . . .	51
3. Installing the dishwasher under the countertop. . . . .	52
Installing the steam deflector. . . . .	52
Installing the slides. . . . .	53
Adjusting legs. . . . .	54
4. Installing the custom door panel. . . . .	55
5. Adjusting the panel . . . . .	60
6. Securing the front panel. . . . .	60
7. Adjusting the door springs. . . . .	61
8. Securing the dishwasher to the countertop. . . . .	62
Special situations. . . . .	63
9. Final adjustments . . . . .	65
10. Installing the toekick. . . . .	66

<b>Electrical connection</b> . . . . .	67
--	----

<b>Plumbing</b> . . . . .	68
---------------------------	----

<b>Technical Data</b> . . . . .	73
---------------------------------	----

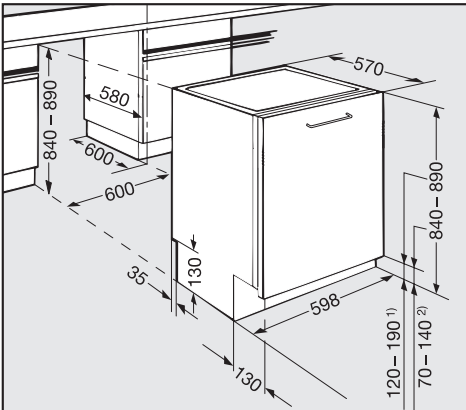
**Note:**  
**Any modification of this CSA approved dishwasher is illegal.**

These fully integrated dishwashers are specially designed for installation under a continuous countertop.

A cabinet matching panel must be custom made for installation on the front of the dishwasher.

To ensure stability, these dishwashers should only be installed under a continuous countertop which is securely fastened to the cabinet base units.

Dimensions:



1) For dishwasher height of 890 mm.

2) For dishwasher height of 840 mm.

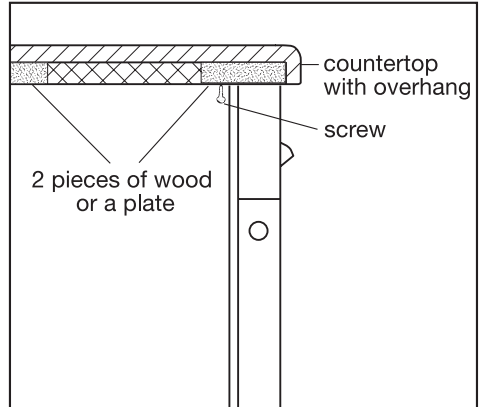
Total height 840-890 mm; height adjustable by approx. 50 mm.

## 1. Levelling the countertop.

Check that the countertop is sufficiently level in both directions. If not, it should be levelled.

## 2. For countertops with overhang.

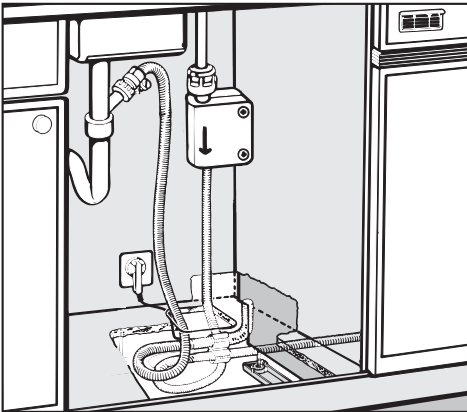
Countertop should be the same thickness at the front and back to provide proper contact with the top surface of the dishwasher. For countertops with overhang at the front, two pieces of wood or a plate should be attached from the underside as shown below. If two pieces of wood are used, the space between them may be filled with rubber sponge, glued to the countertop, for better sound insulation.



# Dishwasher installation

## 3. Installing the dishwasher under the countertop

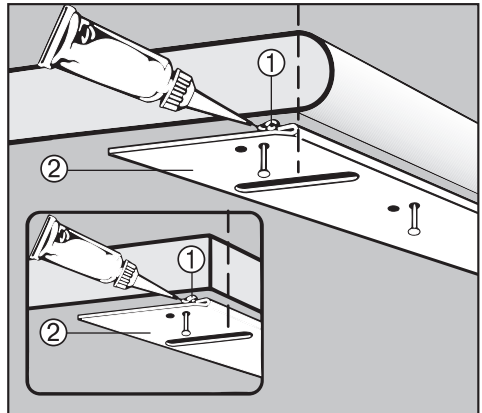
It is preferable to install the main water and electric supplies so that they can be accessed through an adjacent cabinet, rather than situating them behind the machine. See the "Plumbing" and "Electrical" sections for proper connection procedures before continuing.



Certain steps in the installation procedures require that the dishwasher be pulled out of its opening. For this reason, perform the plumbing and electrical connections after the machine has been levelled and the front panel has been mounted.

## Installing the steam deflector (if applicable).

A stainless steel plate is supplied to protect the underside of the countertop against steam rising from the dishwasher when the door is opened. If the countertop is made of Corian®, granite, marble or other solid, waterproof material, the steam deflector should not be used.

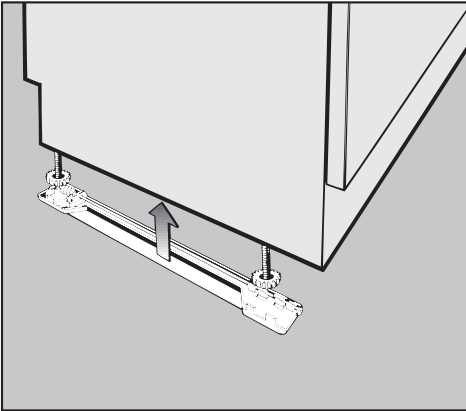


- Squeeze a bead of sealant from the supplied tube into the angle formed by the curved edge ① of the cover-plate.
- Align the plate ② with the lower front edge of the countertop (see illustration) and use the supplied tacks to nail it into place.

On countertops with wood or laminate edging, the tacks should be nailed through the rear holes of the plate.

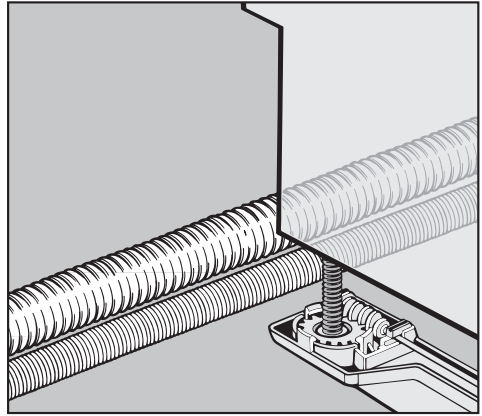
## Installing the slides.

Two slides are included and should be installed on the feet of the dishwasher before the machine is pushed under the countertop. They will allow the machine to slide easier, protect the floor, and allow adjustment of the rear leveling legs from the front of the machine.



- Adjust the height manually before installing the dishwasher. Leave a space of approx. 5 mm (3/16") below the countertop to allow the dishwasher to be pushed back easily into the recess. Make sure the dishwasher stands level.
- Place the slides, with the ratchet at the rear, onto the dishwasher legs.
- If the legs of the machine extend more than 2.5 cm (1") attach a piece of wood under each slide skid for stability.

## Pushing in the machine.



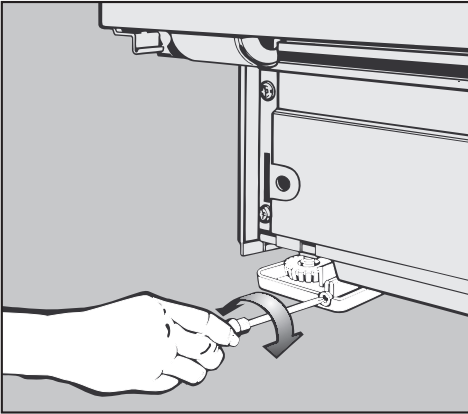
- Push the machine into the opening, making sure the electrical cable and hoses can reach their connection points without being kinked. Excess hose should not be pushed behind the dishwasher, but laid to the side.

### VERY IMPORTANT!

Kinked hoses will cause the machine to malfunction.

# Dishwasher installation

## Adjusting legs.

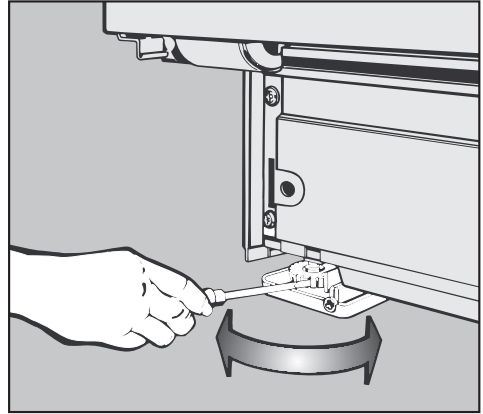


- Adjust the rear legs until the top corner of dishwasher (above the adjusted leg) presses against the countertop. Do not overstress the countertop; slide skid provides 10:1 gear ratio!

To raise the machine - turn clockwise.

To lower - turn counter clockwise.

10 turns of slide skid screw produce 1 mm lift. A battery-powered screwdriver could be used on the lowest torque setting.



- Adjust the front leveling legs by pushing on the foot using flat screwdriver.

It is easier to adjust the screw feet if the weight of the dishwasher is not bearing down on them.

- If possible tip the machine slightly.
- For fine adjustments it may be necessary to press against the cogs of the feet with a screwdriver.

Screw the feet out until the dishwasher is right up against the underside of the countertop, to which it will be screwed later. Ensure that the dishwasher stands level and that the front of the wash chamber is square to the door.

Make sure the machine presses the countertop in all 4 corners.

## 4. Installing the custom door panel.

A custom door panel must be installed on the dishwasher before it can be safely operated. A single large panel or a two piece panel separated at the drawer line can be used.

**To open the dishwasher door before the front panel is installed, gently pull on the upper portion of the mounting bracket until the door latch releases.**

### Panel Dimensions:

Weight: max. 9.5 kg

Thickness: 19 mm (3/4")

Width: 592 mm (23 3/8")

Height: To be calculated in accordance with diagram:  
min. 700 mm (27 1/2")  
max. 765 mm (30 1/8")

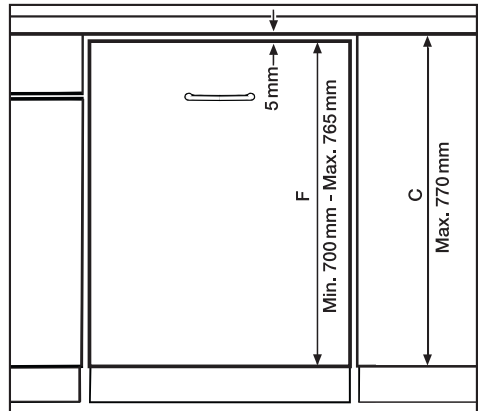
### Note

If a split panel is used, the measurements indicate the total combined height of both panels plus the gap between them.

Front panel : Height **F**  
**F = C - 5 mm (1/4")**

The door handle must be installed on the panel before it is attached to the machine. It should be located in the center of the panel at a height that will match the surrounding drawer handles.

Any screws used to attach the door handle **must** be countersunk.



The maximum height from the underside of the countertop to the bottom of the door panel is 770 mm (30 5/16").

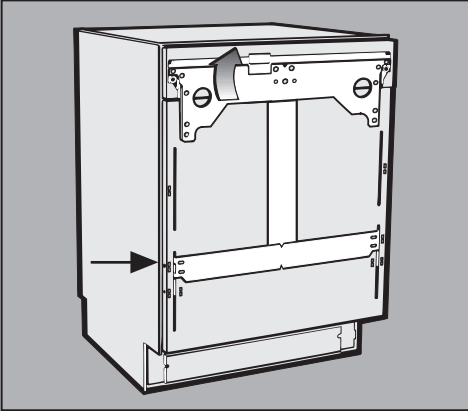
To ensure safe operation of the dishwasher once the panel is installed, it is extremely important that the tension of the door springs be adjusted to compensate for its weight. See Step 7 for details.

# Dishwasher installation

---

The door panel is attached to the dishwasher using the mounting bracket that comes secured to the front of the machine.

To remove the bracket:



## Opening the door after the bracket has been removed:

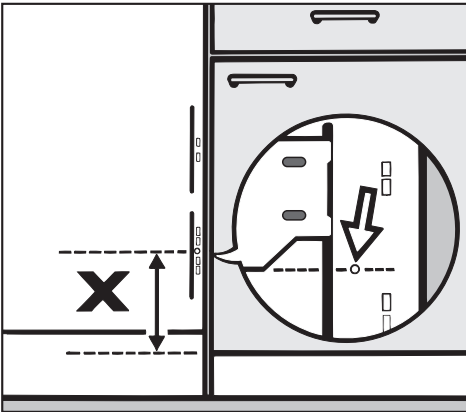
- Insert your finger into the T-shaped hole in the front of the door and pull until the latch releases.

- Loosen the bracket retaining screw (black arrow) located on each side of the machine door.
- Pull the bracket up until the upper section of the bracket disengages from the locator pins, then remove the bracket.



## Installing the bracket on the rear of the custom door panel.

- Push the dishwasher into its opening and adjust the height.
- Measure the distance “**X**” between the round hole in the machine outer door panel (shown in inset) and the lower edge of the adjoining cabinet door.



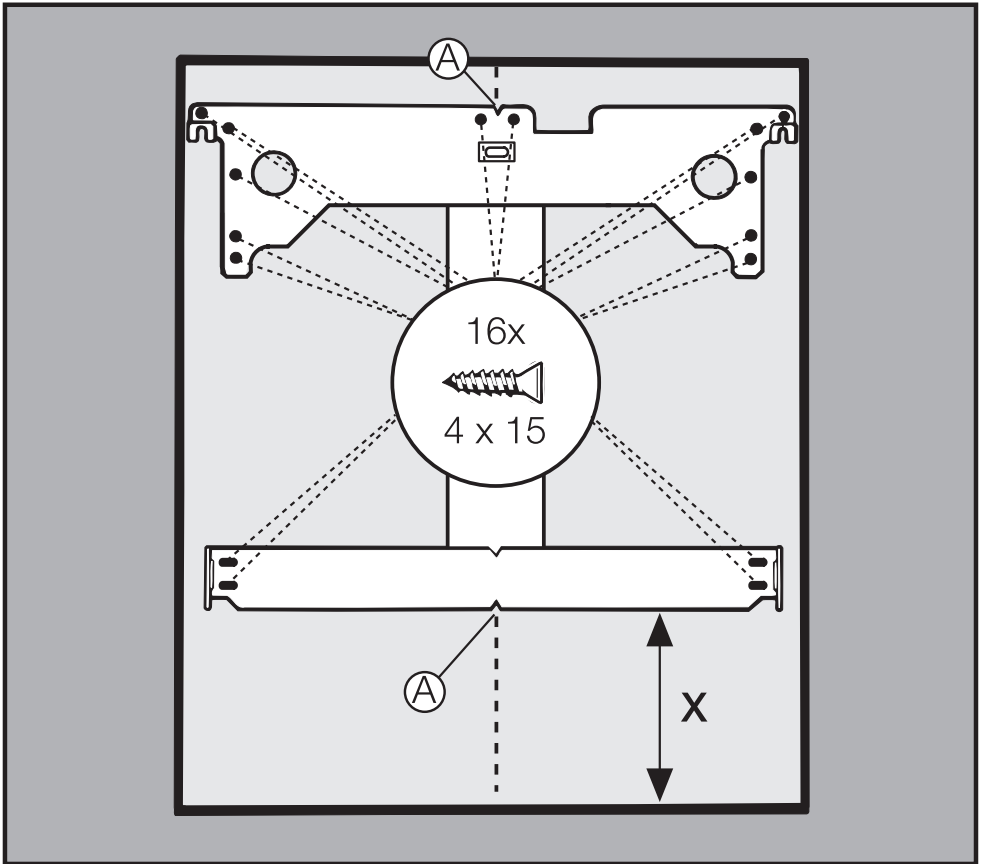
- Place the door panel on a flat surface, good side face down, being careful not to scratch the surface. Make certain that the bottom of the panel is towards you.
- Using a pencil, lightly draw a vertical centerline on the panel (See the illustration on the next page).
- Draw a horizontal line “**X**” inches up from the bottom edge of the panel.

## For two-piece panels:

If your two-piece panel is joined together using hardware that is not flush with the rear of the panel, this hardware must be removed before proceeding. The mounting bracket supplied with the machine can be used to secure both pieces to the dishwasher.

When mounting the two pieces, make sure that the desired finished panel height is maintained.

# Dishwasher installation



There are two notches, marked as **A** in the illustration, located on the mounting bracket.

- Place the bracket on the door panel so that:
  - a** - the notches cross the previously drawn centerline, and
  - b** - the bottom aligns with the horizontal "X" line.

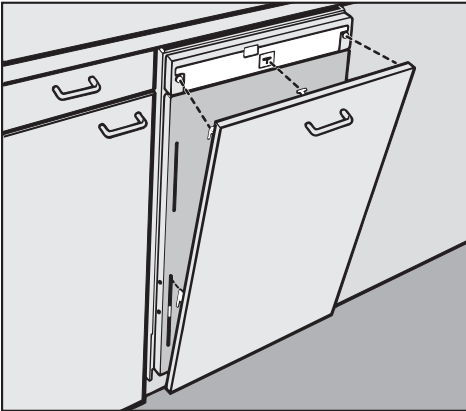
- Mark and drill pilot holes for the screws using a 3/32" (2.5mm) drill bit.
- Attach the bracket to the back of the panel, using the 16 screws provided.
- Double check the location of the bracket before mounting the panel to the dishwasher.

## Attaching the front panel to the dishwasher.

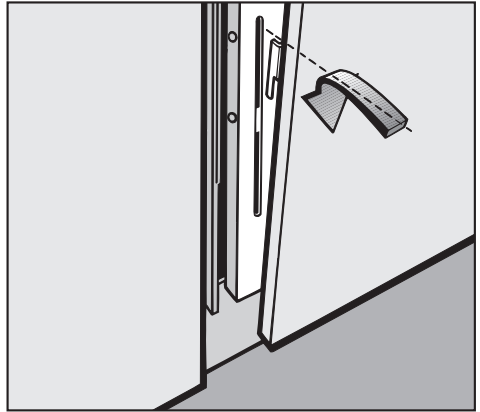
The front panel has been correctly installed when:

- the lower clips of the mounting bracket are seated in their respective slots on the dishwasher outer door, and
- The U shaped slots in the upper corners of the mounting bracket are seated on their locator pins.

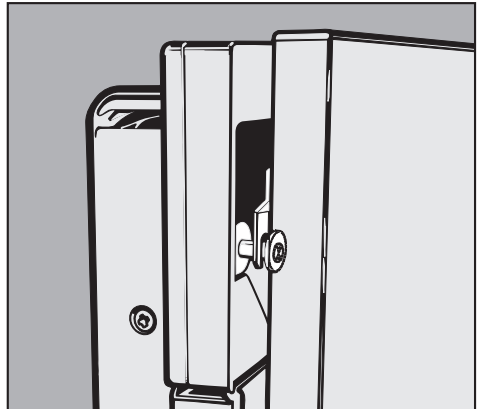
### To attach the front panel:



- Pull the dishwasher out of its opening so that the upper edge of the dishwasher door clears the countertop and the recessed screws on the edge of the door are accessible.



- Place the lower mounting clips into the slots of the dishwasher door as shown in the illustration.

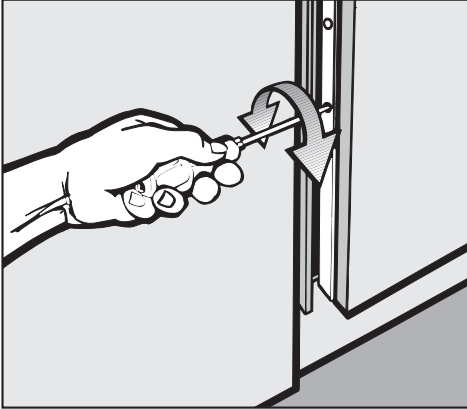


- Raise the panel slightly and seat the U shaped slots of the upper bracket onto their respective locator pins.
- Lower the panel so that it is supported by the dishwasher door.

# Dishwasher installation

## 5. Adjusting the panel

Once installed, the panel can be raised or lowered up to 1/16" (2 mm) to maintain the cabinet lines.

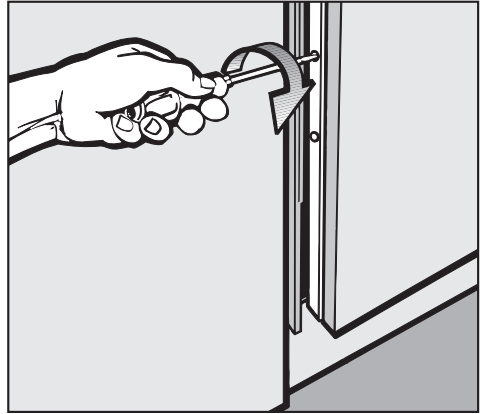


- The panel height is adjusted by turning the lower recessed screws on the edges of the dishwasher door.

To raise the door – turn clockwise.

To lower the door – turn counterclockwise.

## 6. Securing the front panel.



- Secure the front panel by tightening the upper recessed screws on the edges of the dishwasher door.
- Once secure plug the screw holes using the plastic caps provided in the installation kit.

## 7. Adjusting the door springs.

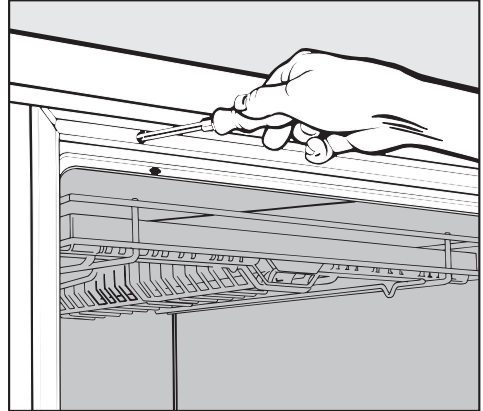
The door panel must be installed before this adjustment is made.

To check whether the door springs are adjusted correctly:

- Open the dishwasher door to the horizontal position.
  - If the door springs up to a 15 ° angle from the horizontal position, the tension is correct.
  - If the door remains in the horizontal position, the tension needs to be increased.
  - If the door tries to close, the tension should be decreased.

The adjusting screw is located in the upper front strip, on the left side of the dishwasher.

- Open the dishwasher door.

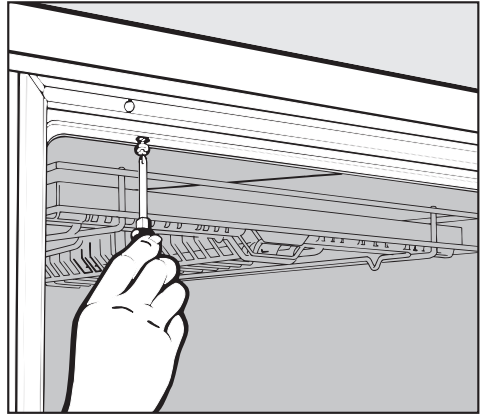


- Adjust the door springs to the correct balance by using a T20 torx screwdriver:
  - turn clockwise to increase the tension
  - turn counterclockwise to decrease the tension.

# Dishwasher installation

## 8. Securing the dishwasher to the countertop.

- Push the dishwasher back into the recess.
- Close the door and align the top of door (control panel) with the cabinetry.
- Open the door and check the vertical gap, left and right side of top corners of wash cabinet. If distance to side walls of cabinetry is not even, push the dishwasher sideways to align.
- Close the door, check the alignment of control panel again, correct if necessary and repeat the inspection of vertical gaps.



- When correctly aligned, turn 2 1.3 cm (1/2") stainless steel screws (supplied) into the prepared holes in top edge as shown below.

The weight of the machine must be supported by the legs, not the countertop fastening screws. If securing the top takes weight off of the legs, extend the legs further until they are tight against the floor.

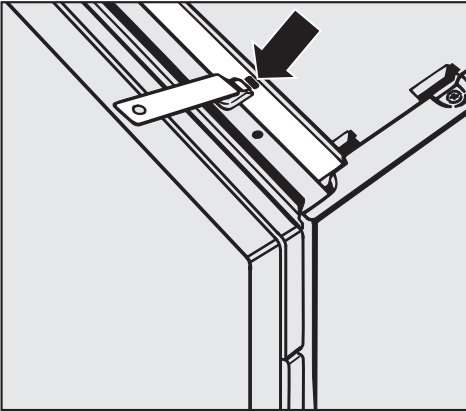
Ensure that the seal on the top edge of the dishwasher fits directly against the worktop. If this is not the case, adjust the height screws more, (see Step 3).

Do not drill any additional holes through any portion of the wash cabinet. If in doubt about how to secure the dishwasher, please call the Miele Service Department.

## Special situations

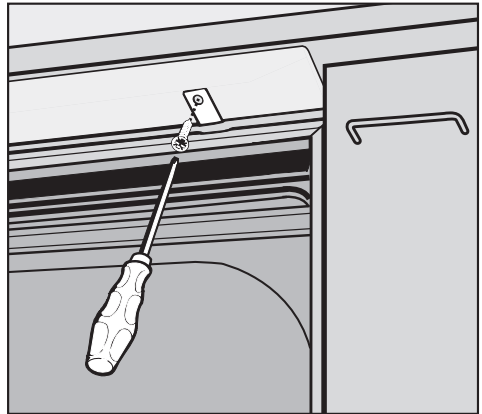
If the edge of the countertop is too narrow, or the machine is being installed under a cut out area, use the securing brackets provided.

- Pull the dishwasher out of the recess.



- Fit the securing pieces into the slots on both the left and right hand side.
- Push the dishwasher into the recess.

- Open the dishwasher door.



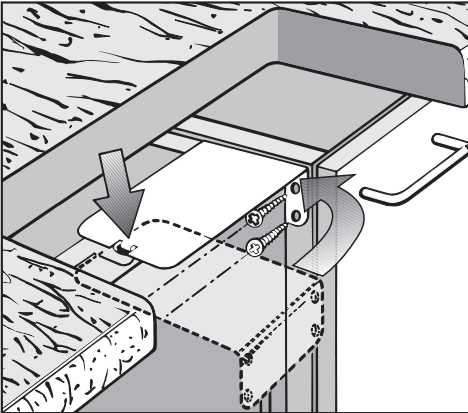
- Screw the countersunk screws (3.9 x 22) upwards through the securing pieces on the left and right hand sides into the work surface to secure the dishwasher.

# Dishwasher installation

For Corian® or granite countertops, fasten the dishwasher to the adjacent cabinets using the optional side mounting brackets as shown below.

## For openings greater than 23 5/8" (60 cm) wide:

- Pull the dishwasher out from under

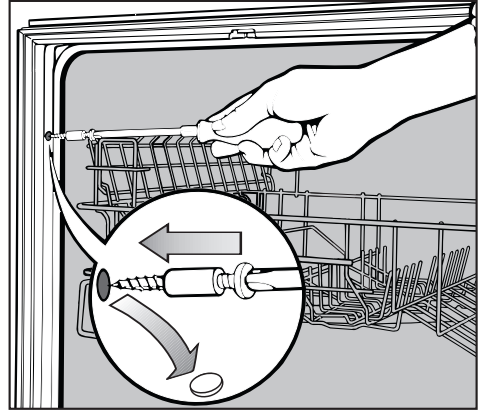


the countertop about 4" (10 cm).

- Insert the tab of each side mounting bracket (optional) into the guide hole on top of the dishwasher, then swing it to the right or left as required.
- Push the dishwasher back into its opening. Align and fasten it to the adjacent cabinets using 2 screws for each bracket.

## For openings 600 mm (23 5/8") wide:

- Open the dishwasher door and remove the caps covering the mounting holes on the outer edge of the wash chamber.



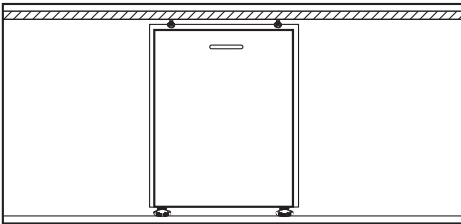
- Fasten the dishwasher to the adjacent cabinets using the supplied screws and bushings. Make sure a bushing is placed over the screw before inserting it into its mounting hole.
- Tighten the screws and replace the caps.

**The side mounting holes should only be used for securing the dishwasher if the opening is 600 mm (23 5/8") wide. Use of this method on larger openings will damage the machine and cause leaks.**

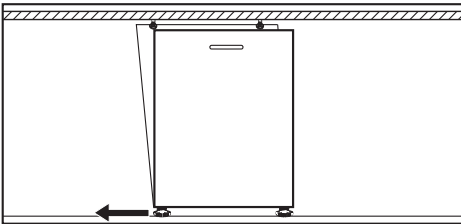


## 9. Final adjustments

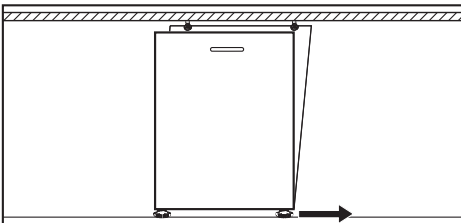
- Close the door of the dishwasher.
- Look at the top left and right corners, alignment of the control panel and white wash cabinet behind it.
- If not symmetrical, push the legs sideways on the floor, as shown below, to move the bottom of the dishwasher. Keep the door closed.



Correct installation.  
No adjustment required.



Incorrect installation.  
■ Push the legs to the left.



Incorrect installation.  
■ Push the legs to the right.

- Make final adjustments of all 4 legs.

The dishwasher must be jammed between the floor and the countertop and is held by friction.

**DO NOT OVERSTRESS THE COUNTERTOP!**

The 2 screws on the top edge serve only to secure the position.

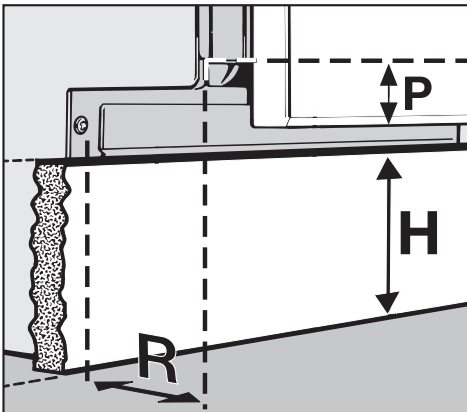
By no means should the dishwasher hang on those 2 screws with the front legs in the air. The top will bend and the door latch will not align properly.

# Dishwasher installation

## 10. Installing the toe-kick.

To prevent damaging the front panel, and before installing the continuous and removable toe-kick, measurements must be taken to ensure that the toe-kick will not interfere with the complete opening of the dishwasher door.

The toe-kick area of the dishwasher is normally covered with a toe-kick run matching the kitchen furniture.



The panel overhang (**P**), and toe-kick depth of recess (**R**), determine the maximum dishwasher toe-kick height (**H**).

**If the panel contacts the toe-kick while the dishwasher door is being opened, the dishwasher toe-kick must be cut shorter or recessed deeper.**

If (**H**) is equal to or less than the toe-kick height of the adjoining cabinetry, no interference will exist, provided that (**R**) is at least 19 mm (3/4").

### Note:

If a decorative or flush mount toe-kick is desired, and (**R**) is less than 19 mm (3/4"), other modifications, such as beveling the top rear edge of the toe-kick, may be adequate.

If your kitchen does not have a toe-kick run matching the kitchen furniture, the toe-kick area can be covered with a separate toe-kick kit, available at extra cost.

It is the responsibility of the customer to ensure that the electrical and plumbing installations are performed by a qualified installer in compliance with national and local codes and regulations.

Disconnect the appliance from the power supply before servicing the machine by pulling the plug or turning off the circuit breaker (or preferably both).

## Specifications.

Power Supply: 120 VAC, 60 Hz

Rated Load: 12.5 A / 1500 W

Circuit breaker: 15 AMPS

The unit is equipped with a 1.5 m (5 ft) power supply cord for connection to a 120 V, 15 AMP **grounded** receptacle.

## Using an outlet:

- It is recommended that the power outlet for the appliance be installed in a cabinet or on a wall adjacent to the undercounter space in which the appliance itself will be located. It is easiest to make one cut-out for all three services (electrical, water intake and drain) to pass through. A cut-out of 60 x 110 mm (2 1/2 x 4 1/2 ") should be sufficient.
- Make certain that there are no rough edges that could damage the power cord. If metal cabinets are used, place the supplied rubber grommet around the edge of the opening before passing the cable through.

- Exercise care when pulling the dishwasher in or out, so as not to damage the power cord or hoses.

## GROUNDING INSTRUCTIONS.

THIS APPLIANCE MUST BE GROUNDED.

In the event of a malfunction or breakdown, grounding will reduce the risk of electric shock by providing a path of least resistance for the electric current. This appliance is equipped with a cord having an equipment-grounding connector and a grounding plug. The plug must be plugged into an appropriate outlet that is installed and grounded in accordance with all local codes and ordinances.

**WARNING - Improper connection of the equipment-grounding conductor can result in the risk of electric shock. Check with a qualified electrician or service representative if you are in doubt whether the appliance is properly grounded. Do not modify the plug provided with the appliance; if it will not fit the outlet, have a proper outlet installed by a qualified electrician.**

# Plumbing

It is the responsibility and obligation of the customer to ensure that the electrical and plumbing installation is carried out by a qualified installer in compliance with national and local codes and ordinances.

All dishwashers that carry the following blue and white sticker are designed to shut off the water and drain the wash cabinet in the rare event of an internal water valve failure.

**In order for this feature to be active, the machine must be “ON” (not necessarily running) and the door must be closed when the dishwasher is not being used.**



Hot water supply specifications:

Recommended temperature: 49°C  
(120°F)

Maximum temperature: 60°C (140°F)

Water pressure: 0.3 - 10 bar  
(4.5 - 145 psi)

An air gap is built into the water inlet system and will prevent potable water mixing with waste water should a vacuum occur in water pipes.

## Water connection

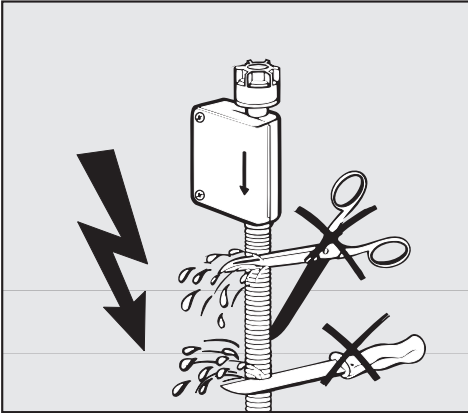
**Note:** Water connections must be in accordance with national and local codes ordinances.

### Connection to the water inlet

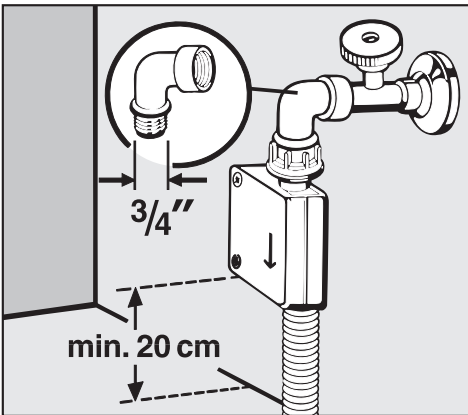
The dishwasher should be connected to hot water (max. 60°C) supply. NB Please check with the Miele Service Department if you are unsure whether your household hot water system is suitable.

- A shut-off valve with 3/4" male thread must be provided on site (garden hose type, 11.5 threads per 1" length).
- The inlet hose with Waterproof system is approx. 1.5 m long.
- If the water pressure is too low the machine may not take in enough water in the allowed time and the “Water Intake” indicator lamp will flash (see “Problem solving guide”). If the water pressure is too high, a pressure reducer must be installed.
- For the Miele “Waterproof” leak protection system to function properly the inlet hose must be connected to the shut-off valve in the correct manner (As shown here).

The protective outer cover must not be damaged in any way.



- Connect the inlet hose with the “Waterproof” system vertically, use angle connector if necessary.



- There must be a distance of at least 20 cm between the floor and the bottom of the “Waterproof” unit housing.



- Lay the hose in such a way that it does not rise above the bottom of the “Waterproof” unit casing.

**Warning:** Electrical wiring and components must not contact any plumbing material or drain hose.

# Plumbing

## Drainage system specifications:

The machine comes equipped with:

A 1.5 m (5 ft.) flexible drain hose with an internal diameter of 22 mm (7/8").

A built-in swivel connector which allows the drain hose to be routed in any direction.

A built-in non-return valve on the discharge side to prevent waste water from flowing back into the dishwasher.

A built-in odour trap on the discharge side to prevent odors from entering the kitchen.

Maximum drain height: 1 m (3 ft)

Maximum drain hose length: 1.5 m (5 ft)

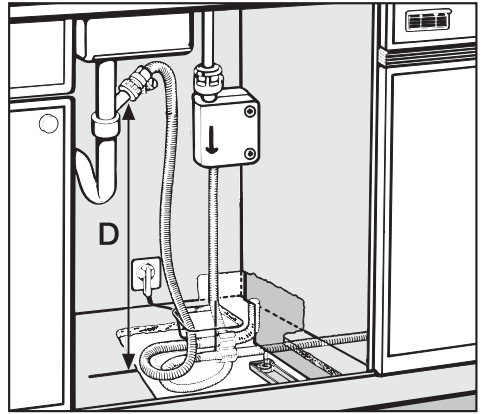
### Do not shorten the drain hose.

Electrical wiring and components should not come into contact with any plumbing fixtures or hoses.

### IMPORTANT:

The dishwasher should be connected directly to the drain line.

## Drain connection:

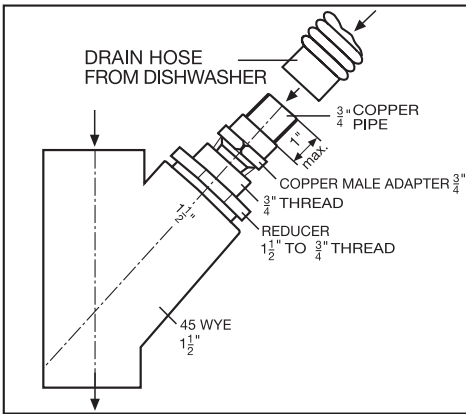


D = 60 cm (24") (nominal)

Connect the supplied drain hose to the drain pipe of the kitchen sink **above** the trap using the clamp provided.

**Do not connect drain hose to garbage disposal. Blockage of water discharge from dishwasher may occur.**

## Drain hose connection:



The drain hose should be connected directly to large drain pipes. By no means should connection be extended with 3/4" hose or smaller! Connection to drain should be adjacent to dishwasher – left or right, but NEVER BEHIND! Change existing installation to comply with Miele installation instructions.

## Additional note.

Since all Miele dishwashers are equipped with an odour trap and non-return valve, the drain hose can be connected directly to the drain pipe as illustrated.

If plumbing codes require an external air gap on the discharge side of the dishwasher, the following requirements must be met:

- No part the drain hose should be higher than 1 m (39").
- The drain connection should be made as close as possible to the dishwasher.
- The internal diameter (22 mm or 7/8") of the drain hose should not be reduced at any point.

# Plumbing

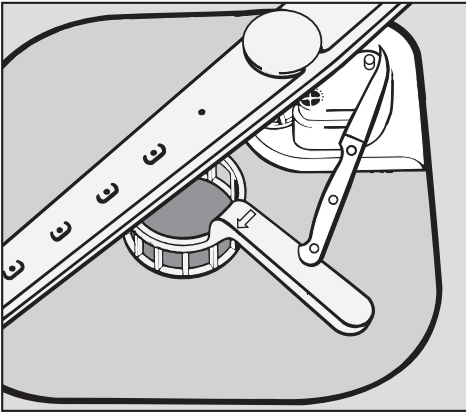
---

## Venting the drainage system

**Only** if the dishwasher drain hose is connected to a **floor drain or to a drain pipe that is below the level of the lower baskets wheels**, the drain must be vented; otherwise the water inside of the dishwasher may siphon out during the course of a wash programme.

Vent the drain:

- Open the dishwasher door:



- Cut off the vent cap located at the right rear of the dishwasher, behind the filters, as illustrated.



Height	84 cm (33 1/8") adjustable to 89 cm (35")
Width	59.8 cm (23 1/2 ")
Width of recess	60 cm (23 5/8")
Depth	57 cm (22 1/2")
Depth with door open	120.5 cm (47 1/2")
Weight	approx. 57 kg
Voltage	110/120 V AC
Rated load	12.5 A / 1500 W
Fuse rating	15 A
Water pressure	0.3 - 10 bar (4.5 - 145 psi)
Hot water connection	49°C (120°F) (max 60°C or 140°F)
Drain height	1 m (3 ft) maximum
Drain length	1.5 m (5 ft) maximum
Power cord length	approx. 1.5 m (5 ft)





# Miele

## **Miele Limited**

### **Canadian Head Office**

55G East Beaver Creek Road

Richmond Hill

Ontario L4B 1E5

Phone: 905-707-1171

Fax: 905-707-0177

Toll-Free: 1-800-565-6435

Internet: [www.miele.ca](http://www.miele.ca)

E-Mail: [info@miele.ca](mailto:info@miele.ca) (general enquiries)

E-Mail: [service@miele.ca](mailto:service@miele.ca) (technical service)

### **BC Regional Sales Office**

3731 North Fraser Way

Unit 200

Burnaby

British Columbia V5J 5J2

Phone: 604-434-1300

Fax: 604-434-1309

## Free Manuals Download Website

<http://myh66.com>

<http://usermanuals.us>

<http://www.somanuals.com>

<http://www.4manuals.cc>

<http://www.manual-lib.com>

<http://www.404manual.com>

<http://www.luxmanual.com>

<http://aubethermostatmanual.com>

Golf course search by state

<http://golfingnear.com>

Email search by domain

<http://emailbydomain.com>

Auto manuals search

<http://auto.somanuals.com>

TV manuals search

<http://tv.somanuals.com>