



Operating instructions for dishwashers

To prevent accidents and reduce the risk of damaging the machine, read the Operating Manual **before** installing or using the machine.



M.-Nr. 04 390 922

Contents

Guide to the appliance	3
Important safety instructions	6
Caring for the environment	8
Before using for the first time	9
Opening and closing the door	10
Water softener	11
Setting the water hardness /Filling the salt reservoir	12/14
Salt indicator lamp	15
Adding rinse aid	16
Loading the dishwasher	18
Loading examples	19
Adjusting the upper basket	22
Items not suitable for dishwashers	23
Adding detergent	24
Choosing a program	25
Program chart	26
Operating the dishwasher	28
Changing programs; interrupting a program; program sequence indication	28/29
Additional features	30
Unloading the dishwasher	32
Cleaning and care	33
Problem solving guide	39
After sales service	41
Accessories	42
Dishwasher installation	43
Electrical connection	54
Plumbing	56
Technical data	60

Miele dishwashers are available in two versions:

1. Integrated (“i”) dishwashers

“i”- dishwashers are designed for installation under a continuous countertop.

The control panel with its accessories is included with the “i”- dishwasher in a separate package for on-site installation. The front is designed to accept a custom made panel, matching the existing kitchen cabinets.

Installation directions can be found in the Installation chapter.

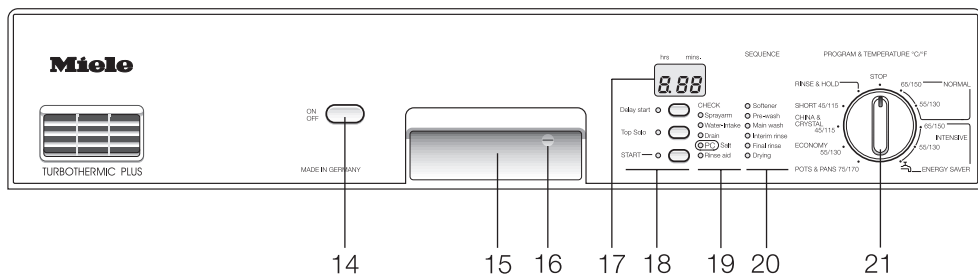
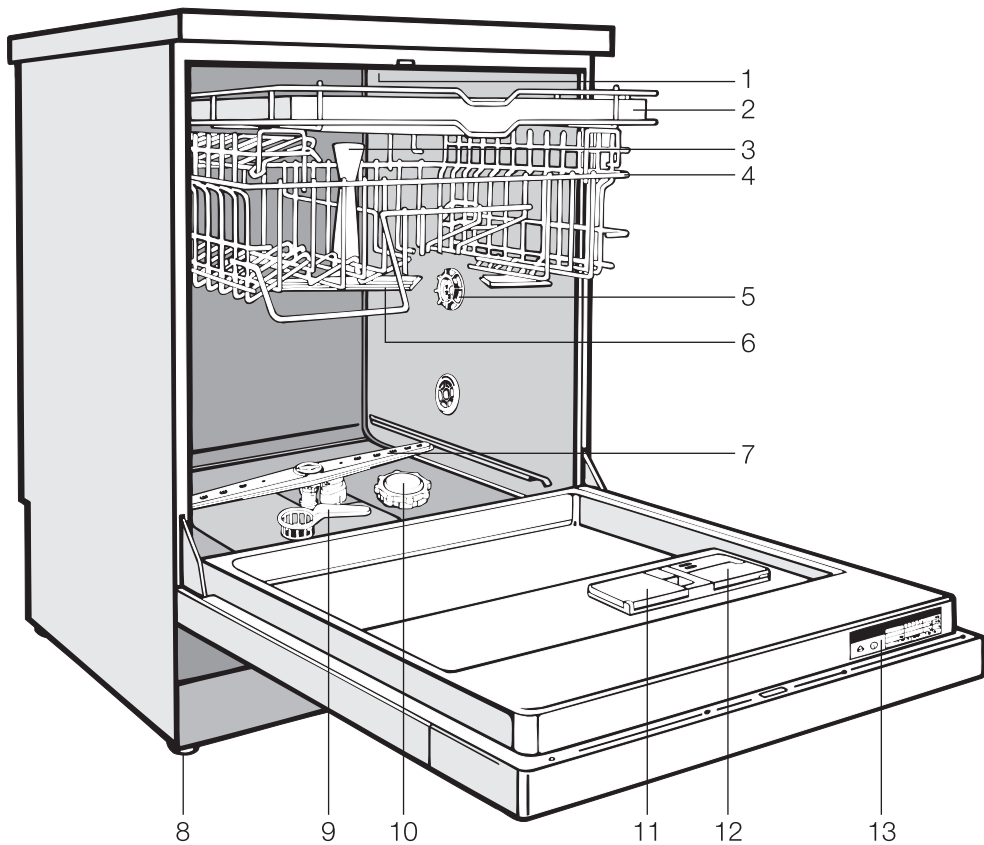
2. “U” dishwashers

The built-under (“U”) dishwashers use the integrated (“i”) dishwashers as the basic machine.

By using a decor set (GDU) the “i” dishwasher can be converted into a “U” model dishwasher.

GDU installation instructions are included in a separate pamphlet supplied with the decor set.

Guide to the appliance



1. Upper spray arm (not visible)
2. Cutlery tray
3. Inlet funnel for middle spray arm
4. Upper basket
5. Water hardness selector
6. Middle spray arm
7. Lower spray arm
8. Four height adjustable levelling legs
9. Combination filter
10. Salt reservoir
11. Dual compartment detergent dispenser
12. Rinse aid reservoir (with dosage selector)
13. Data plate
14. On/Off button
15. Door release
16. Child safety lock
17. Time display
18. Pushbutton switches
19. "Check" indicator lamps
20. Program sequence display
21. Program and temperature selector knob

Note: Lower basket is not shown.

IMPORTANT SAFETY INSTRUCTIONS

WARNING

When using your dishwasher, follow all basic safety precautions.

This appliance conforms to all uniform safety codes and regulations. To avoid injury and machine damage, read the operating instructions carefully.

The manufacturer cannot be held responsible for damage or injury caused by improper use or for uses other than those for which the appliance is intended.

- Repairs should only be carried out by qualified personnel. Disconnect the appliance from the power supply before servicing (pull out the plug or turn off the circuit breaker).
- If not purchased specifically as a “Freestanding” model, only install the dishwasher under a continuous countertop which is secured to adjacent cabinetry.
- The dishwasher must be electrically grounded. Install the dishwasher as per the included Installation instructions.
- Use only detergents and rinse aids recommended for dishwashers.
- Do not use commercial or industrial grade detergents, as these may cause adverse chemical reactions and damage the machine. Use detergents made for residential dishwashers only.
- Do not use your dishwasher unless all enclosure panels are properly in place.
- Do not allow children to play in or on the dishwasher.
- Keep all detergents and rinse aids out of the reach of children.
- Dishwasher detergents contain Sodium Silicate and Sodium Carbonate. In case of eye contact, immediately flush with water. Call a physician or poison control.
- Do not tamper with the controls.

IMPORTANT SAFETY INSTRUCTIONS

- When loading items to be washed:
- Locate pointed items so that they are not likely to damage the door seal.
 - Load knives with the cutting edge down to reduce the risk of injuries.

■ Do not wash plastic items unless they are labeled “dishwasher safe” or the equivalent. For items not labeled, check the manufacturer’s recommendations.

■ Do not abuse, sit, or stand on the door or dishracks of the dishwasher.

■ Remove the front door and cut off the power cord of the dishwasher before removing it from service or discarding it. This will help protect children from injury and accidentally locking themselves in.

■ Under certain conditions, hydrogen gas may be produced in a hot water system that has not been used for two weeks or more. **HYDROGEN GAS IS EXPLOSIVE.** If the hot water system has not been used for such a period, turn on all hot water faucets and let the water flow from each for several minutes before using the dishwasher. This will release any accumulated hydrogen gas. Do not smoke or use an open flame during this time.

■ Do not drink the water from the wash cabinet.

SAVE THESE INSTRUCTIONS

Caring for the environment

Disposal of the packing material.

The cardboard box and packing material protects the appliance during shipping. It has been deliberately designed to be biodegradable and recyclable. Please dispose of these materials as you would any other recyclable products.

Disposal of your old machine.

Old machines contain materials which can be recycled. Please contact your local recycling center or scrap merchant about the possibility of recycling these materials and make certain the machine has been made child resistant as outlined in the “Important safety instructions”, before disposing of the appliance.

Energy saving washing.

These dishwashers are exceptionally efficient in their use of water and electricity. You can make the most of your appliance by following these tips:

- Make full use of the baskets without overloading the dishwasher for the most economical washing.
- For small loads:
Select the “Top Solo” function (see “Additional features” chapter).
- Choose a program that best suits the degree of soiling and the type of dishes being washed.
- If baskets are only half full, use the ECONOMY program.
- Use the correct amounts of detergent and rinse aid.

Before using for the first time

Before using for the first time please note the following points:

Setting the water softener.

The water softener must be set to correspond to the water hardness in your area. This can be obtained from your local water company, or by using a test kit that can be purchased from the Miele Parts Department.

The salt reservoir must **only** be filled with water and salt. Never fill it with detergent.

Adding rinse aid.

Inadvertently filling the rinse aid reservoir with liquid or powder detergent will damage the reservoir.

Only use detergents and rinse aids formulated for domestic dishwashers.

It is important to choose the correct program.

Different wash programs should be selected for different loads and different degrees of soiling. See the program chart for further program descriptions.

When the dishwasher is run for the first time, the selected program will not start for approximately 7 minutes.

During these 7 minutes, the Water softener reactivation program is run, and the "Softener" indicator lamp will be on.

Add the correct amount of detergent.

Follow the detergent manufacturer's recommendations on how much detergent to use. Not enough or too much detergent can lead to poor wash results.

Cleaning results vary from brand to brand. If you are not satisfied with the results from one brand, try another quality brand before contacting the Miele Service Department for advice.

Load the dishes correctly.

Load the dishes so that water can contact all surfaces. Ensure that the spray arms are not blocked by items which are too tall for the basket or which extend through the bottom of the basket. If necessary, manually rotate the spray arms to test for clearance.

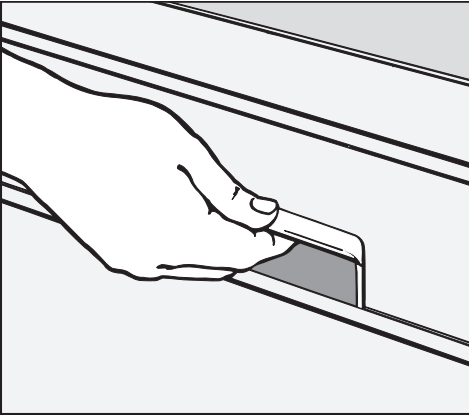
The combination filter in the base of the wash cabinet and the spray arms must be kept clean.

These should be regularly inspected and cleaned if necessary.

See the corresponding chapters for detailed information on the above points.

Opening and closing the door

To open the door.



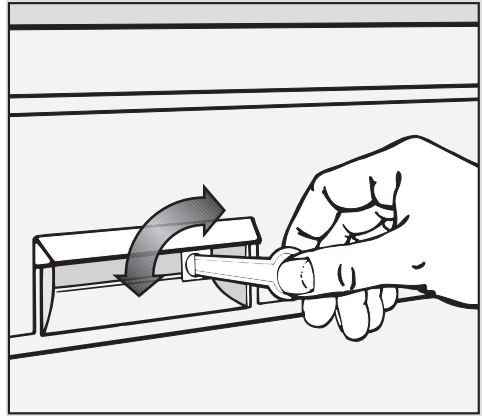
- Press the release catch inside the door grip.

If the door is opened during operation, all functions are automatically interrupted.

To close the door.

- Push the baskets in.
- Lift the door and push until it clicks into position.

Child safety lock.



The child safety lock is designed to deter children from opening the dishwasher door.

- Use the key provided to turn the child safety lock to the required setting.



Horizontal setting = The door is locked.



Vertical setting = the door can be opened.

The water softener must be set to correspond to the water hardness in your area. This can be obtained from your local water company, or by using a test kit that can be purchased from the Miele Parts Department.

To avoid the build up of calcium deposits on dishes, cutlery, and in the dishwasher, if the water hardness is above 4 gr/gal, the water should be softened.

The dishwasher is factory set for a hardness level of 22 gr/gal. If your water is harder or softer, the setting will need to be adjusted.

To ensure a steady supply of softened water, the built in water softener must be:

1. Correctly set.
2. Reactivated with salt when depleted.

Where the water hardness fluctuates (e.g. 8 - 17 gr/gal) always set the machine to the higher value (17 gr/gal in this example).

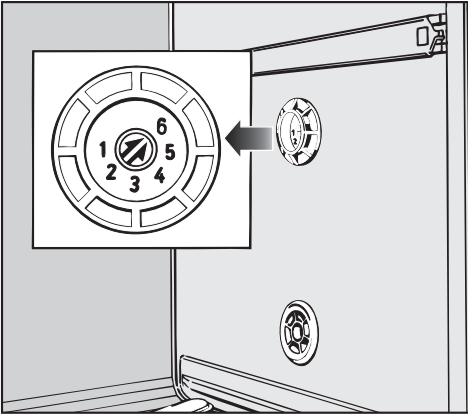
Settings

gr/gal	ppm	°f	value for programming	water level selector (Setting)
1	20	2	1	6
2	40	4	2	6
3	50	5	3	6
4	70	7	4	6
5	90	9	5	6
6	110	11	6	6
7	130	13	7	6
8	140	14	8	6
9	160	16	9	6
10	180	18	10	6
11	200	20	11	6
12	220	22	12	6
13	230	23	13	6
14	250	25	14	6
15	270	27	15	6
16	290	29	16	6
17	310	31	17	6
18	320	32	18	6
19	340	34	19	6
20	360	36	20	6
21	380	38	21	6
22 *)	400	40	22	6
23	410	41	23	6
24	430	43	24	6
25	450	45	25	6
26	470	47	26	6
27	490	49	27	6
28	500	50	28	6
29	520	52	29	6
30	540	54	30	6
31	560	56	31	6
32	580	58	32	6
33	590	59	33	6
34	610	61	34	6
35	630	63	35	6
36-47	650- 850	65- 85	36	4
48-65	860-1170	86-117	36	5
66-70	1190-1260	119-126	36	6

*) factory setting

Water softener

To set the water softener for a hardness level of 1-35 gr/gal:



- Check that the water hardness selector in the wash cabinet is set to setting 6.
- Turn the dishwasher off.
- Turn the program selector knob to the "STOP" position.
- Press the "Delay start" and "START" buttons at the same time, while turning the machine on. A "P" and a number will appear in the time display.
- Set the program selector knob to the "NORMAL 55/130" position. The number "22" will appear in the time display.

"22" = The factory setting for a water hardness of 22 gr/gal.

- Press the "Top Solo" button as often as necessary until the value of your water hardness in gr/gal appears in the display.

Example:

For a water hardness of 30 gr/gal:

Keep pressing the "Top Solo" button until "30" appears in the time display.

After the figure "36" is reached the counter returns to "0".

Value "0" must not be set!

- Press the "START" button twice to store the change in memory.

Setting the water softener for a hardness level of 36 - 70 gr/gal requires the following two step procedure:

1.

- Turn the dishwasher off.
- Turn the program selector knob to the "STOP" position.
- Press the "Delay start" and "START" buttons at the same time, while turning the machine on. A "P" and a number will appear in the time display.
- Set the program selector knob to the "NORMAL 55/130" position. The number "22" will appear in the time display.

"22" = The factory setting for a water hardness of 22 gr/gal.

- Press the "Top Solo" button as often as necessary until the value "36" appears in the display.
- Press the "START" button twice to store the "36" in memory.

2.

The water hardness selector in the wash cabinet must be set according to the following chart.

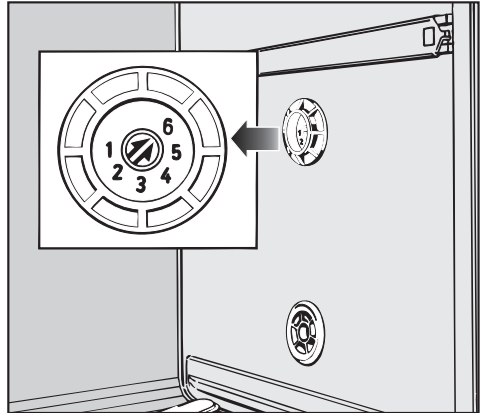
gr/gal	ppm	°f	value for program - ming	water hardness selector (Setting)
36-47	650- 850	65- 85	36	4
48-65	860-1170	86-117	36	5
66-70	1190-1260	119-126	36	6 *)

*) factory setting

Example:

The water hardness is 60 gr/gal.

The water hardness selector in the wash cabinet must be set to 5, (48 - 65 gr/gal).



Using a screwdriver:

- Remove the cover from the water hardness selector.
- Adjust the water hardness selector as necessary. There will be a click as each setting is reached.

Do not set the selector on setting 1 - 3.

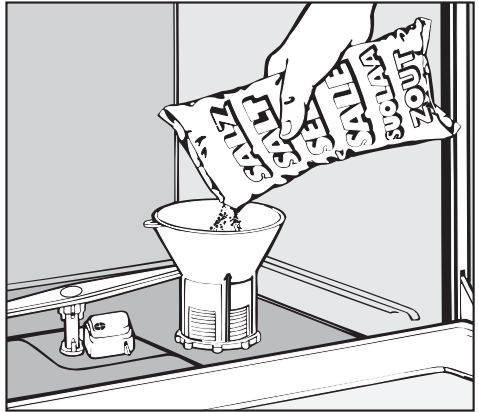
- Replace the cover on the water hardness selector.

Water softener

Filling the salt reservoir.

The salt reservoir should be filled before the first use and when the "Salt" indicator lamp lights up. Use water softener reactivation salt (1 - 4 mm grain size), as other salts may contain insoluble additives which can impair the functioning of the softener.

The salt reservoir holds approx. 4 lbs (2 kg) of salt.

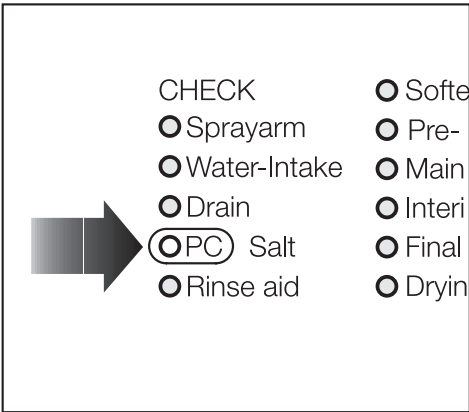


Inadvertently filling the salt reservoir with dishwashing detergent will damage the water softener. Make sure that only water softener reactivation salt of the proper grain size is used.

Before filling the salt reservoir for the first time:
Fill the salt reservoir with approximately 2 quarts (2 l) of water.

- Remove the lower basket.
- Unscrew and remove the salt reservoir cap.
- Place the funnel (provided) over the salt reservoir.
- Carefully fill with salt. As it is filled, water will run out.
- Clean any excess salt from the threads of the reservoir opening.
- Screw the cap on firmly.
- If the dishwasher will not be used immediately after reactivation, run the RINSE & HOLD program. This will remove any traces of salt from the cabinet.

Salt indicator.



When the salt reservoir is empty, the “Salt” indicator lamp will light, notifying you that the reservoir should be refilled with reactivation salt.

After the reservoir has been filled, the water softener is automatically reactivated the next time the dishwasher is run.

The “Softener” indicator lamp illuminates during this process.

Note:

If the water used is very soft (below 4 gr/gal), the salt indicator lamp will stay on. In this case the reservoir should not be filled with salt. The indicator lamp will remain lit and should be disregarded or bypassed.

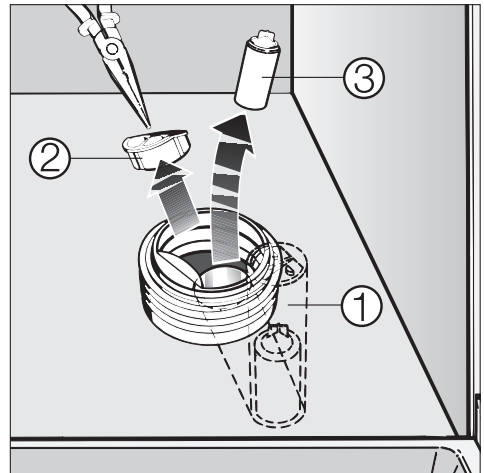
The “Salt” indicator lamp has also been designed for future program updates (PC). See the “After Sales Service” section for further details.

Bypassing the Salt indicator lamp.

In order to bypass the salt indicator lamp, you will need a screwdriver and needle nose pliers.

- Remove the salt reservoir cap.

Looking into the salt reservoir, you will see the top of the float chamber on the right hand side ①.



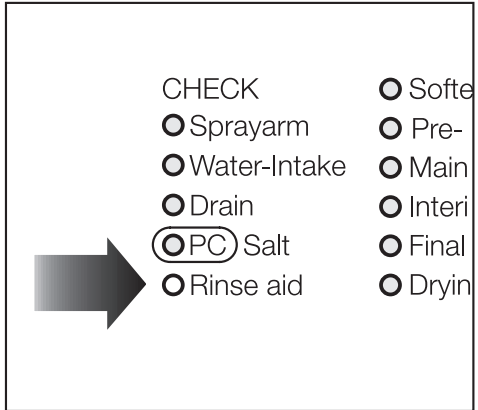
- Using a screwdriver, carefully pivot the float chamber towards the center of the reservoir.
- Using the needle nose pliers, first pull the cap ② off of the float chamber, then remove the float ③.
- Replace the float chamber cap, push the chamber back into its upright position, and replace the salt reservoir cap. The indicator lamp should now remain off.

Adding rinse aid

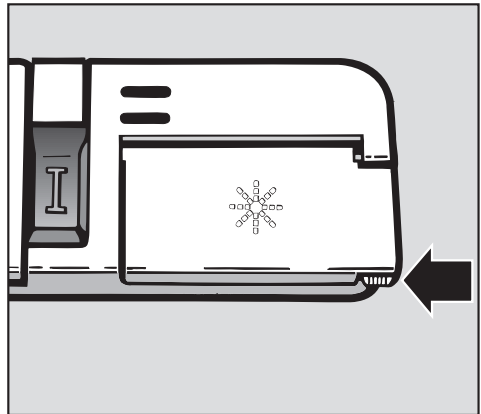
The use of Rinse Aid is recommended to prevent spotting on dishes and glassware that normally occurs during the drying phase of automatic dishwashing.

Inadvertently filling the rinse aid reservoir with detergent always leads to damage to the reservoir. Only pour rinse aid formulated for residential dishwashers into the reservoir.

Adding rinse aid.

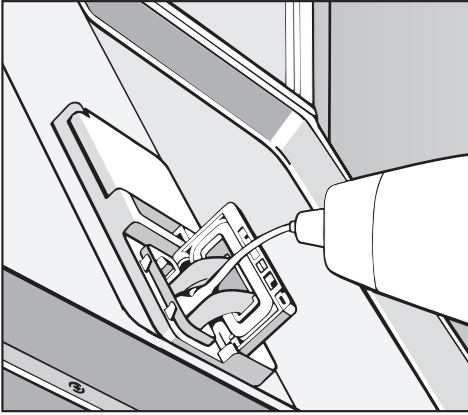


- Add Rinse Aid before the first use and anytime the “Rinse Aid” indicator lamp comes on.



- Press the button in the direction of the arrow until the flap springs open.

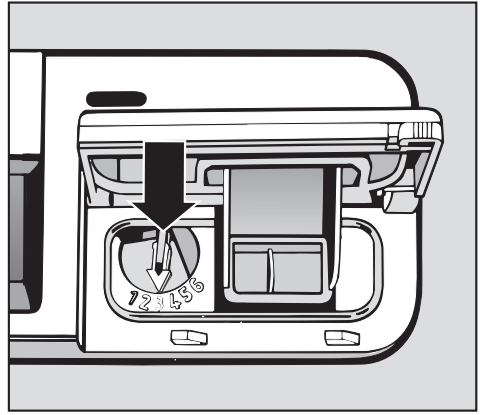
Setting the dosage.



- Close the dishwasher door halfway and pour liquid rinse aid into the storage container until it is visible on the surface of the screen. Do not add aid until the "Rinse aid" indicator lamp comes on.

Only use rinse aid specifically labeled for residential dishwashers. Inadvertently using powder or liquid detergents will damage the rinse aid dispenser.

- Close the flap and wipe up any spilled rinse aid. The flap will remain closed during normal operation.



The dosage selector comes factory set to 3. It can be adjusted from 1 to 6, depending on your requirements.

- Use a higher setting if spots appear on dry glassware.
- If streaking appears on dishes or glasses, use a lower setting.

Loading the dishwasher

- Load the dishes so that water can contact all surfaces.
- Do not place dishes and cutlery inside other pieces where they may be concealed.
- Hollow items such as cups and glasses should be inverted and placed in the upper basket.
- Concave based items should be placed at an angle on top of the coffee bar, (see page 21), so that water can run off them freely.
- Tall, narrow, hollow pieces should be placed in the center of the basket, rather than in the corners, to ensure water coverage.
- Small cups and glasses should be placed on the cup racks. Taller mugs and glasses can be placed underneath the rack.
- Do not cover the funnel in the middle of the upper basket.
- The spray arms must not be blocked by items which are too tall or hang through the baskets. If in doubt, test for free movement by manually rotating the spray arms.
- Some food items may contain natural dyes that can discolor plastic items in the dishwasher (e.g. carrots, tomatoes, ketchup, etc.). The stability of plastic items is not affected by this discoloration.

Some loading examples are shown on the following pages.

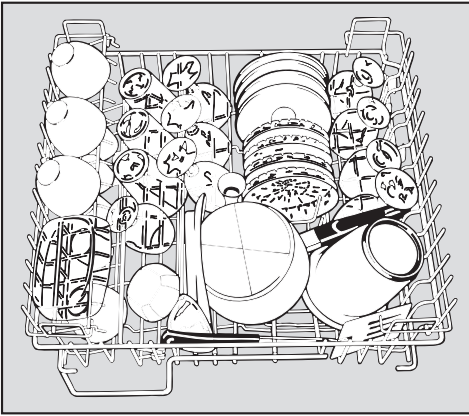
Note

If the additional feature “Top Solo” has been selected with a wash program, all items must be loaded into the upper basket and cutlery tray. See the “Additional features” section for further information.

In areas where the water has high mineral content, it may be necessary to polish silverware after washing to achieve a high shine.

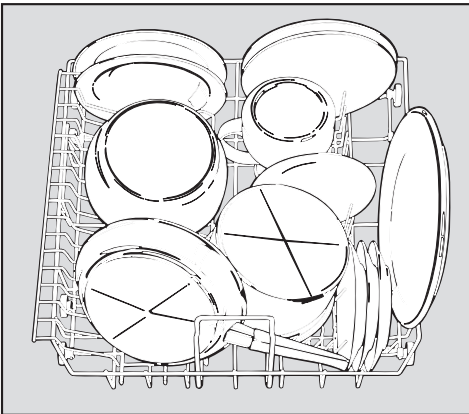
Loading the dishwasher

Loading examples.



Upper basket.

For small, lightweight, or delicate items such as cups, saucers, glasses, dessert bowls, etc.

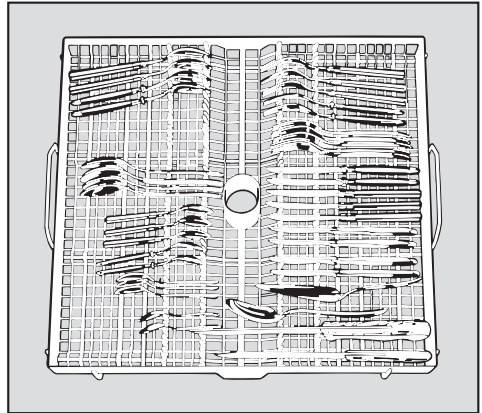


Bottom basket.

For larger and heavier items such as plates, serving platters and saucepans. Glasses should only be placed in the bottom basket if the special glassware insert is used.

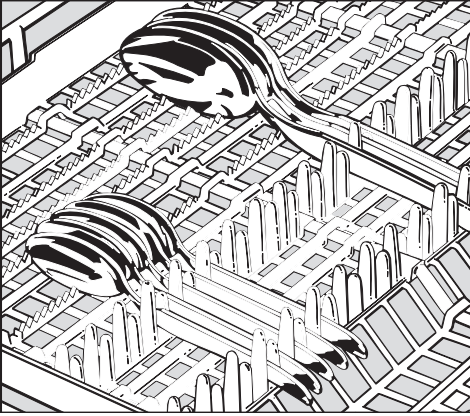
Cutlery tray.

The easily loaded cutlery tray ensures thorough cleaning of cutlery and cooking utensils. In addition, the cutlery tray insert is removable and can be carried to a drawer or table for easy loading or unloading, thereby eliminating much of the handling of the cutlery.



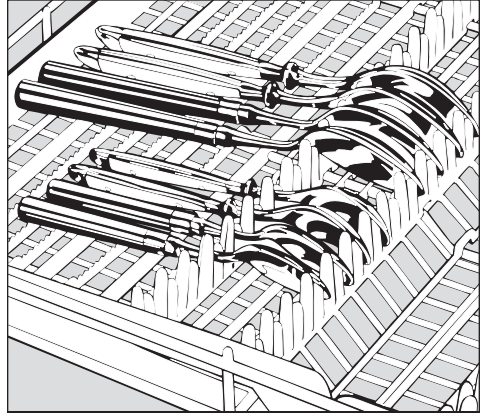
The plate inserts on the left and right rear of the lower basket are removable. To remove, push the handles of both inserts toward the inside of the basket. Once removed, the open area can accommodate large pots, casserole dishes, or accessory inserts (see "Accessories").

Loading the dishwasher



To make unloading easier, cutlery can be grouped in zones, one for knives, one for forks, etc.

Spoon heads should be placed so that water can run off them freely.

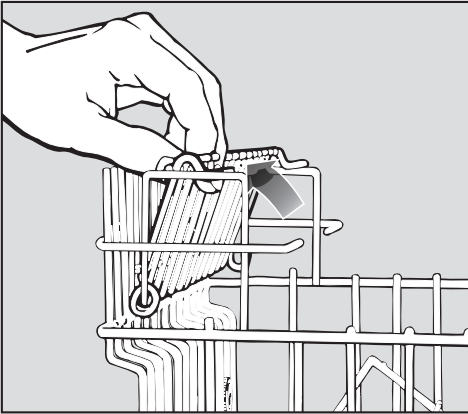


Place the heads of cutlery with round or oval handles in the holders. This will secure them during the wash cycle.

Ensure that spoon heads are in contact with at least one holder so they cannot flip over and collect water.

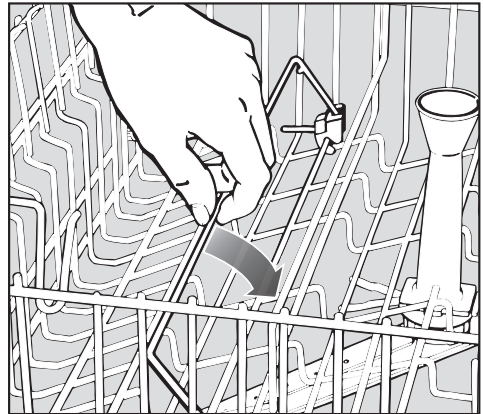
Do not cover the opening in the middle of the cutlery tray, and make sure that the upper spray arm can rotate freely after the tray is slid in; otherwise the rotation of the spray arms may be inadequate for a thorough cleaning.

Adjustable cup racks.



To make room for tall glasses, raise the rack upwards. Lower it to double stack smaller items.

Coffee bar.



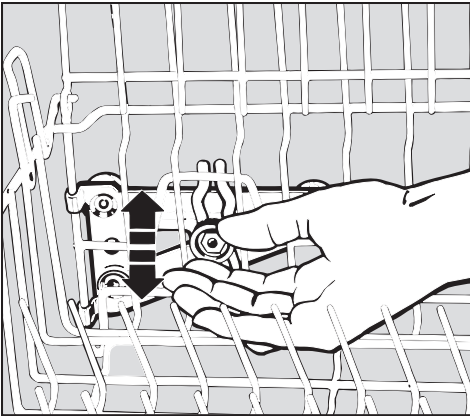
Place coffee mugs on top of the bar so that they sit at a slant. This allows all water to run off the base of the mug. The bar can also be used as a separator between two rows of glasses keeping them from leaning against each other. This protects the glasses and ensures good wash results. For wide items, flip the bar over to the right.

Loading the dishwasher

Adjusting the upper basket.

(depending on model)

The upper basket height is adjustable. If tall items of dishware are being washed, more room can be obtained by raising or lowering the upper basket.



- Pull out the upper basket and loosen the two locknuts on either side of the basket.
- Adjust the basket up or down to the desired height.
- Tighten the locknuts.

The upper basket can also be set on an angle, if required.

Do not set the angle to the extreme - one side at the highest setting and one side at the lowest, as this will impede the function of the middle spray arm.

Depending on the setting of the upper basket, the following dishware dimensions can be accommodated:

Upper basket position	Upper basket diameter	Lower basket diameter
Top	8" (20.5 cm)	12" (30 cm)
Middle	9" (22.5 cm)	11" (28 cm)
Bottom	10" (24.5 cm)	10" (26 cm)

Items not suitable for dishwashers

- Cutlery with wooden handles.
- Wooden cutting boards.
- Glued items such as old knives with handles that are glued together around the shank of the blade.
- Hand made craft items.
- Copper or tin items.
- Plastic items which are not heat resistant.

Please note:

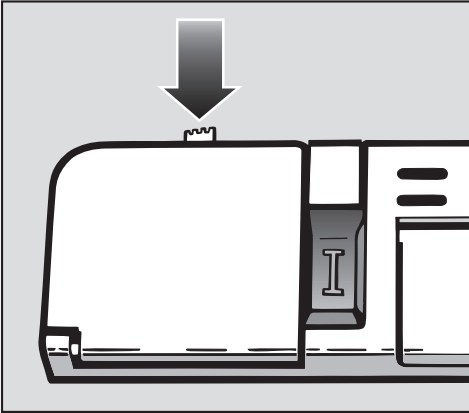
- Silver or aluminum items may suffer some discoloration.
- Aluminum parts (eg. oven hood grease filters) should not be cleaned using commercial or industrial detergents. These high alkaline detergents may damage the machine, and in extreme instances, cause explosive chemical reactions.
- Silverware previously cleaned with a silver polish may be damp or spotted at the end of a program where water has adhered to the polish. This can be rubbed off with a soft, dry cloth. Silver that has previously been cleaned in an immersion dip is usually dry at the end of a program, but may discolor (tarnish).
- Colors on dishware that have been painted over the glaze may fade over time.
- Clouding may occur on glasses after frequent washing.

Miele recommends:

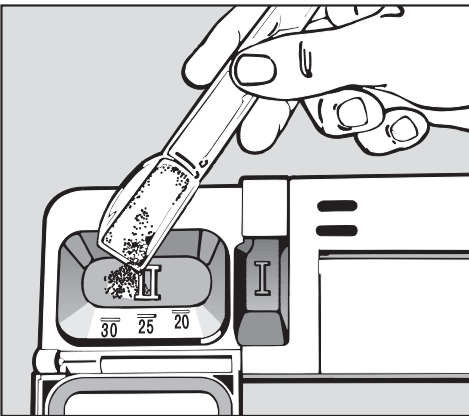
- Wash delicate glassware using the ECONOMY program or the CHINA & CRYSTAL program with a temperature of 45 °C/115 °F (if so equipped). This will reduce the risk of clouding.
- There are no standard guidelines for washing glassware. When in doubt, wash by hand.
- When purchasing new dishes and cutlery, make sure they are dishwasher safe.

Adding detergent

Use only powder detergents formulated for residential dishwashers.
Do not use gels or liquid detergents.



- Press the latch on the detergent dispenser. The cover will spring open.
- Fill the dispenser using the amount of detergent recommended by the detergent manufacturer.



- Close the cover. The cover will always be open at the end of a wash program (excluding the RINSE & HOLD program).

Generally, filling the dispenser with detergent will be sufficient to ensure thorough cleaning. If dishes are extra dirty, or if the soil has been allowed to dry on the dishes before washing, a program utilizing a prewash cycle should be selected. In this case, extra detergent can be added to the small compartment labeled (I) in the center of the dispenser.

Dishwasher detergents contain irritant and corrosive ingredients. They can cause burns in the mouth and throat if swallowed, or inhibit breathing. Keep children away from detergent and from the dishwasher when the door is open.

To avoid the danger of children coming into contact with dishwasher detergent, only fill the detergent dispenser immediately before starting the program.

Capacities:

Compartment I (prewash) takes a maximum of 1 ounce (25 ml) and Compartment II (main wash) takes a maximum of 3 ounces (80 ml) when completely filled. There are horizontal marks to assist you in filling Compartment II. The marks indicate a level of approximately 3/4, 1, and 1 1/4 ounces (20, 25 and 30 ml respectively).

The wash program chosen should depend on the type of dishes and the degree of soiling.

In most cases a NORMAL program will give excellent results.

The available programs and some of their applications are listed in the Program Chart on the next two pages.

“ENERGY SAVER” Program.

- Use this program for lightly to normally soiled dishware.

A warm water intake (temperature of the incoming water) of at least 45 °C/115 °F is necessary for this program.

Water is not heated in this program. Only 0,20 kWh of electricity (approx.) is used during this cycle.

The drying result may not match that of a program with a full drying cycle.

The higher the temperature of the intake water, the better the drying results.

- Open the door of the dishwasher 2-3 inches (5-6 mm) at the end of the program to speed the drying process.

Program chart

Program	When to use	Detergent		
		A ¹⁾		B ²⁾
		Compartment I (Pre-wash)	Compartment II (Main wash)	Compartment II (Main wash)
Universal Programs				
NORMAL 55 °C/130 °F	This program is for <u>normal</u> everyday loads.	20 %	80 %	100 %
NORMAL 65 °C/150 °F	Same as NORMAL 55 °C/130 °F, but at a higher temperature for <u>stubborn dried on particles</u> .	20 %	80 %	100 %
INTENSIVE 55 °C/130 °F	Same as NORMAL 55 °C/130 °F, but with a preliminary pre-wash for <u>heavy</u> soiling.	20 %	80 %	100 %
INTENSIVE 65 °C/150 °F	Same as INTENSIVE 55 °C/130 °F, but at a higher wash temperature for <u>stubborn dried on particles</u> and lightly soiled pots and pans.	20 %	80 %	100 %
Special programs				
ENERGY SAVER	<u>Only select</u> ENERGY SAVER if the dishwasher is connected to a hot water supply (minimum temperature 45 °C/115 °F). – see chapter "Choosing a program"	20 %	80 %	100 %
POTS & PANS 75 °C/170 °F	For pots, pans and dishware with dried on particles of food and very heavy soiling.	20 %	100 %	120 %
ECONOMY 55 °C/130 °F	For <u>half</u> a, <u>normal</u> everyday load, or: for <u>full</u> loads with <u>very light soiling</u> (e.g. coffee cups).		50 % ³⁾	50 % ³⁾
CHINA & CRYSTAL 45 °C/115 °F	"Gentle program", for lightly soiled and heat sensitive tableware.		50 % ³⁾	50 % ³⁾
SHORT 45 °C/115 °F	"Quick program", for lightly soiled dishware (e.g. party dishware).		50 % ³⁾	50 % ³⁾
RINSE & HOLD	For rinsing dishes when a complete cycle is not needed.			

The dispensing method will depend on the type of detergent being used:

A¹⁾ Use this method for:

- detergents which contain phosphates and chlorine.

Divide the total amount, as shown, between compartment I and compartment II.

B²⁾ Use this method for:

- detergent which is chlorine and phosphate free.
- detergent which is chlorine free but contains phosphates.

In this instance the whole amount is placed in compartment II.

3) Use half of the manufacturers recommended amount of detergent.

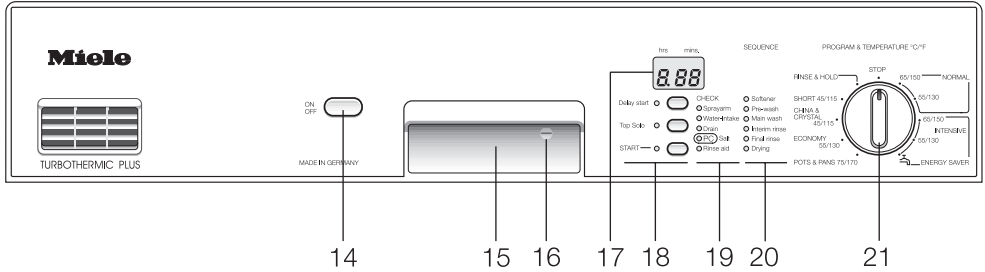
Program cycle						USAGE	
						Electric (kWh)	Water
1. Preliminary pre-wash	2. Pre-wash	Main wash	Interim rinse	Final rinse	Drying	Water hot (49 °C / 120 °F)	Liters/ Gallons ⁴⁾
	X	X	X	X	X	0.9	19/5.0
	X	X	X	X	X	1.13	19/5.0
X	X	X	X	X	X	0.89	24/6.3
X	X	X	X	X	X	0.98	24/6.3
X	X	X	X	X	X	0.20	24/6.3
	X	X	X	X	X	1.13	19/5.0
		X	X	X	X	0.75 ⁵⁾	14/3.7
	X	X	X	X	X	0.47	19/5.0
		X	X	X		0.56	14/3.7
X						0.06	5/1.3

4) Average consumption values are for a water hardness of up to 17 gr/gal.

5) With half loads (7 place settings).

X = cycle used

Operating the dishwasher.



Turning on.

- Close the door.
- Open the water valve (if it is closed).
- Press the “ON/OFF”-button (14).

When the program and temperature selector knob (21) is in the “STOP” position, a dot will light up in the display field (17).

Starting a program.

- Turn the program and temperature selector knob (21) clockwise or counterclockwise to the desired program.

The length of the selected program appears in hours and minutes in the Time display (17).

At the same time the indicator lamp next to the “START”-button (18) illuminates.

- Before starting the program, additional features “Delay start” or “Top Solo” can be selected (see “Additional features” on page 30).
- Press the “START” -button (18).

The indicator lamp next to the “START”-button will go out, and the program will start.

Note.

The time displayed may vary using the same program. When the dishwasher is turned on, it will display a Wash time calculated using a water supply temperature of 60 °F/15 °C. (the temperature used for factory testing).

With subsequent programs the dishwasher will recalculate the time according to actual conditions. The most current value will then be displayed the next time the dishwasher is turned on.

The time remaining is displayed as the program progresses.

To prevent children from coming into contact with detergent, only place it in the dispenser immediately before starting the program.

Program end

The program has finished when no indicator lamps are illuminated and a “0” appears in the display. the dishwasher can now be unloaded.

If the dishwasher door remains closed, the drying fan will continue to operate for a few additional minutes to help dissipate any remaining moisture.

Operating the dishwasher.

Turning off.

At the end of a program:

- Turn the program selector knob to the "STOP" position.

If any appliance will not be used for an extended period (e.g. while on vacation), it is recommended that the water supply valve be shut off.

Your Miele dishwasher is designed to shut off the water flow and drain the machine in the rare event of a valve failure. In order for this function to be active, the door must be shut, the machine must be "ON", and the Program knob must be in the "STOP" position.

Sequence indicator (20).

Once a program has started, the sequence indicator lamps (20) show the actual program stage reached by the dishwasher.

Note:

When required, the water softener reactivation process is performed before the wash program. It may last several minutes and occurs in intervals.
During this process only the "Softener" indicator will be on.

The hardness of the water supply will dictate how often (after how many washes) the water softener needs to be reactivated. For example, with a water hardness of 21 gr/gal, reactivation will take place after every 3 programs. With a water hardness of 8 gr/gal, reactivation

will only take place after 11 programs.

Interrupting a program.

A program can be interrupted by opening the door.

If the door is then closed, the program will continue from the point it was at before the door was opened.

Warning!

The water in the dishwasher may be hot, and steam may be present! Only open the door if absolutely necessary and exercise extreme caution when doing so. The danger of burns and scalding exists. Once the door has been opened, allow 20-30 seconds for the internal temperature to equalize before closing it again, and make sure it clicks into place.

Changing a program.

A program can be changed at any time. The new program will start as soon as it has been selected.

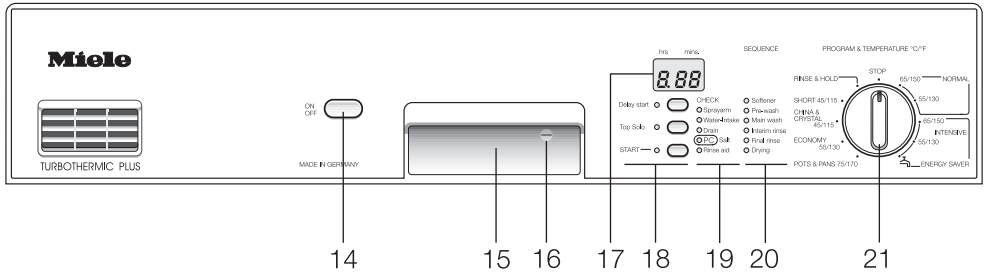
- Turn the program selector knob to the desired program.

If you wish to start the new program at its beginning:

- Turn the program selector knob to "STOP",
(a point will appear in the display field).
- Select the new program and press "START".

It may be necessary to add additional detergent, depending on where the original program was interrupted.

Additional features



Delay start (18).

The starting time of a program can be delayed up to 9 hours and 30 minutes (in 30 minute increments), in order to take advantage of off peak utility rates that exist in some areas. To set a Delay time:

- Select a program.

The length of the program is displayed (17) in minutes and seconds.

- Press the “Delay start” (18) button once for every 30 minutes of delay desired.

The program length displayed will now change to a display of the Delay time, also in hours and minutes. The “Delay start” indicator lamp will illuminate.

- Press the “START” button (18).

The dishwasher counts down the minutes of the chosen delay, then starts the program automatically.

Once started, the display will show the time remaining in the wash program.

Example:

Press “Delay start” once for a 30 minute delay.
30 (mins) is displayed.

Press “Delay start” twice for a 1 hour delay.
1.00 is displayed (1 hr. 00min.)

To prevent the detergent from prematurely dissolving when using the “Delay Start” feature, make certain that the dispenser is dry before putting in detergent.

Top Solo (18).

When this feature is selected, the majority of the water is directed to the top and middle spray arms of the dishwasher. Its use is recommended when all the dishes or cutlery needing cleaning can be loaded into the upper basket and cutlery tray.

Note:

Lightly soiled plates or serving platters can still be placed in the bottom basket if large spaces are left between them. Do not place dishes, bowls or other hollow containers in the bottom basket. Adjusting the upper basket to its lowest position will allow it to accommodate larger plates.

Using "Top Solo" will also save water, detergent and energy.

For example, using Top Solo with the NORMAL 55°C/130°F program uses 3.2 gallons (12 liters) of water instead of the usual 5 gallons (19 liters).

Because smaller amounts of dishware are being washed, the amount of detergent used can be reduced accordingly.

"Top Solo" can be selected with all wash programs.

- Choose a program.

The length of the program will appear in the time display (17) in hours and minutes.

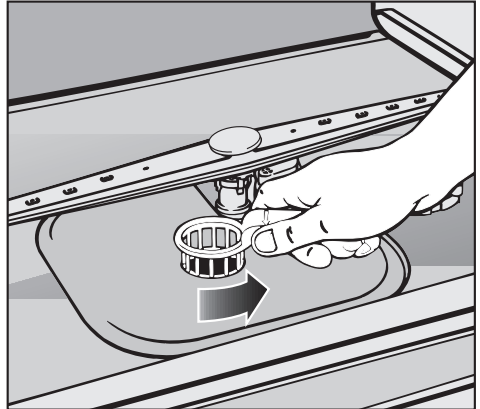
- Press the "Top Solo" button (18). The "Top Solo" indicator lamp illuminates, and the program duration changes.
- Press the "START" button (18). The "START" indicator lamp goes out and the program starts.

Unloading the dishwasher

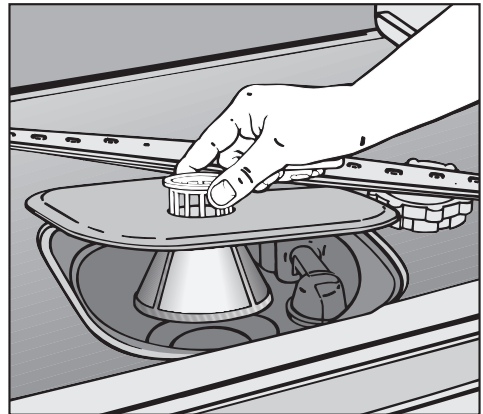
- Dishes tend to break and chip easier when they are hot. Allow the dishes to cool until they are comfortable enough to handle before unloading them.
- If the door is opened at the completion of the drying cycle, the dishes will cool much faster.
- Unload the lower basket first, then the upper basket and cutlery tray (if so equipped). This will prevent water drops from the upper basket or cutlery tray from falling onto the dishes in the lower basket.

Cleaning the filters in the wash cabinet.

The combination filter in the base of the wash cabinet should be regularly inspected and cleaned as necessary. Any broken glass or dishware should be removed immediately upon discovery. Use caution when cleaning the filters, non-return valve or drain pump, as glass or bone splinters may be caught in the bottom of the wash cabinet.

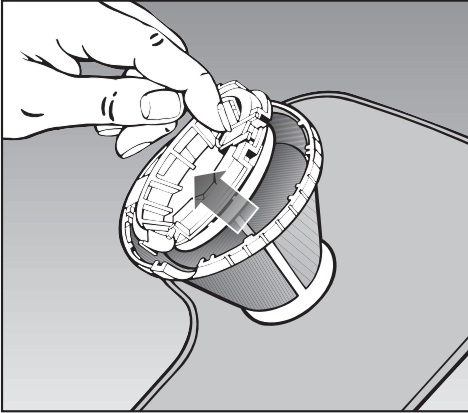


- Turn the handle counterclockwise to release the filters.

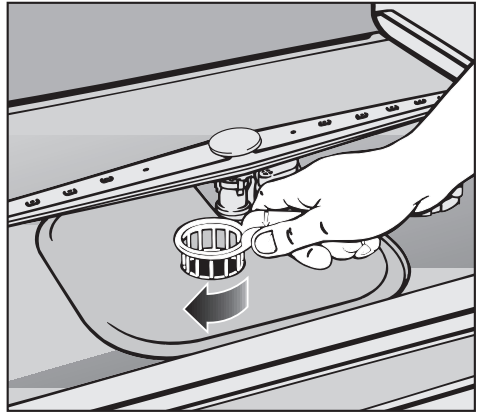


- Lift the combination filter out of the machine. Remove any coarse particles and rinse it under running water. A nylon brush can be used, if necessary.

Cleaning and care



- Turn the combination filter over and open the coarse filter cover by pulling back on the locking tab.
- After cleaning, make sure that the coarse filter cover is properly locked in place.

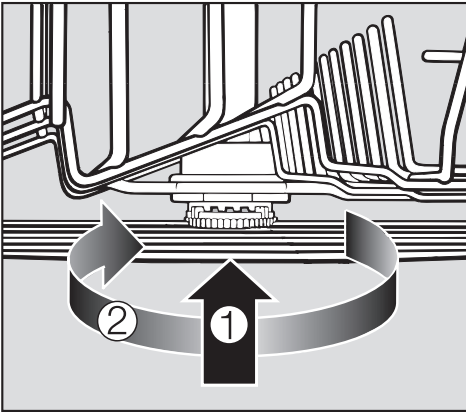


- Replace the combination filter so that it lies flat in the base of the wash cabinet. Secure it by turning the handle clockwise.

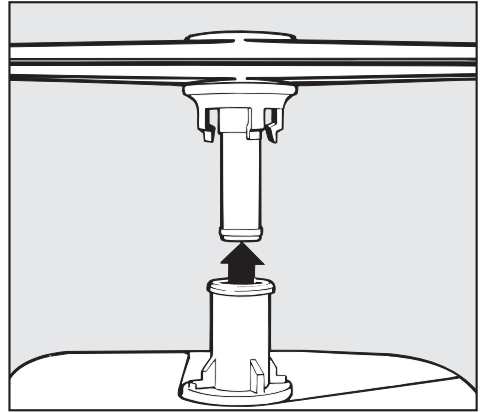
Cleaning the spray arms.

On rare occasions particles of food may get stuck in the spray arm jets. They can be easily cleaned as follows:

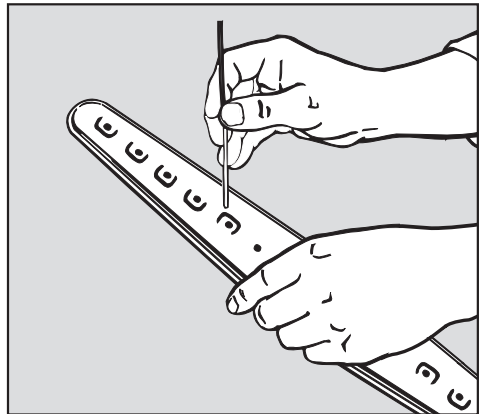
- Remove the lower basket and the cutlery tray (if so equipped). The cutlery tray frame can be pushed back in.
- Unscrew and remove the upper spray arm.



- To remove the middle spray arm located beneath the upper basket, gently push upwards until it engages in the ratchet ①, then unscrew it ②.



- Lift up on the lower spray arm to remove it.



- To clean the spray arms, use a pointed object to push the the food particles into the jets.
- Rinse under running water to complete the process.
- After cleaning, replace the spray arms.

Important:
After replacing the spray arms,
check that they rotate freely.

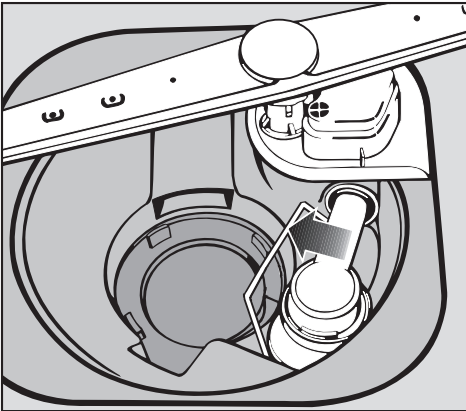
Cleaning and care

Cleaning the drain pump and non-return valve.

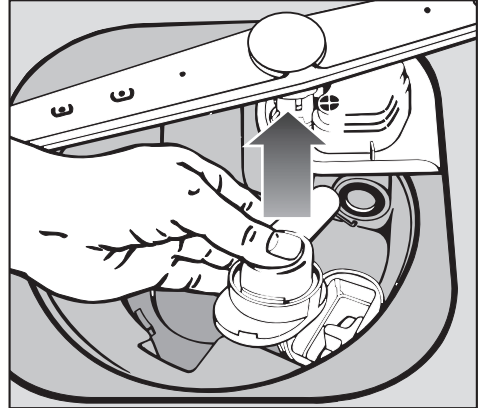
Use caution when cleaning the filters, non-return valve or drain pump, as glass or bone splinters may be caught in the bottom of the wash cabinet.

If the water in the dishwasher is not completely drained at the end of a program, the drain pump or non-return valve may be blocked. To clean them:

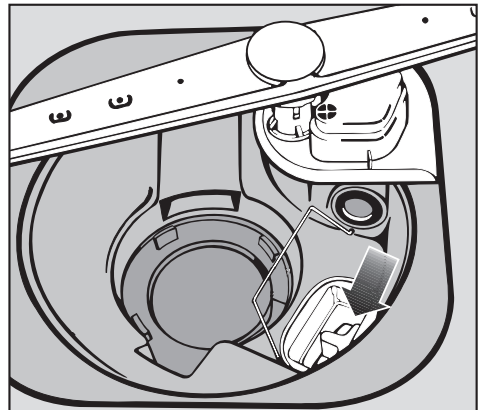
- Remove the combination filter.



- Tilt the locking clamp to the side and pull out the non-return valve.



- Rinse the non-return valve under running water.



The drain pump is situated under the non-return valve (see arrow).

- Before replacing the non-return valve, check to make sure that nothing is obstructing the drain pump.
- Carefully replace the non-return valve and secure it with the locking clamp.
- Replace and secure the combination filter.

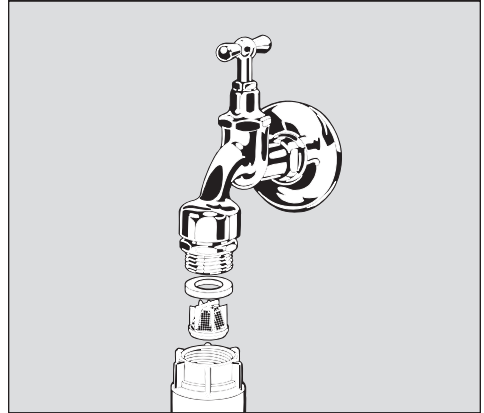
Cleaning the water inlet filter.

The water valve housing on the inlet hose contains electrical components and should not be immersed, or run through water.

A filter is incorporated in the inlet hose that is attached to the dishwasher's main shutoff valve. If your water supply is hard, or the pipes contain sediment; this filter may clog and prevent sufficient water from entering the wash cabinet. It can be cleaned as follows:

Cleaning the filter.

Disconnect the dishwasher from the electrical supply (unplug it or shut off the circuit breaker).



- Turn off the main shutoff valve and unscrew the inlet hose.
- Carefully remove the rubber seal.
- Remove the filter using needle nose pliers and clean it by rinsing under running water.
- Replace the filter and seal. Make sure they are seated correctly.
- Screw the inlet hose back onto the water valve, making certain it is not cross-threaded.
- Slowly turn on the valve and test for leaks.

Cleaning and care

Installing an in-line water filter.

If your water supply contains a large number of insoluble substances, we recommend installing a filter between the valve and the inlet hose connection. These filters can be obtained from the Miele Parts Department.

Cleaning the control panel.

- The control panel can be cleaned using a damp cloth and mild detergent.

Do not use abrasive, all purpose, or glass cleaners, as their use may damage plastic surfaces.

Cleaning the door panel.

- Plastic laminate panels should be cleaned using a suitable, non-abrasive cleaning agent, or mild soapy water.
- Panels made from wood should be cleaned using a soft damp cloth and an appropriate wood cleaner.

With the aid of the following guide, minor problems can be easily corrected. If you are unable to correct the problem, please contact the Miele Service Department.

Any work on the electrical components of the appliance should only be performed by a qualified and trained person in accordance with local and national regulations. Unauthorized or incorrect repairs could cause personal injury or damage the machine.

Problems/possible causes.

The dishwasher does not start.

- The door is not properly closed.
- The plug is not properly inserted.
- The circuit breaker is defective or has tripped.

The wash cycle finishes too early and the “Drain” indicator lamp flashes.

- The drain hose is kinked.
- The drain pump is blocked – see “Cleaning and care”.

The wash cycle finishes too early and three horizontal lines “---” appear in the time display.

- Press the “ON-OFF” button to turn the machine off. After 5 seconds turn it on again. Select a program and start the machine.

- If the lines are still displayed, call the Miele Service Department.

The “Spray arm” indicator lamp flashes.

- The middle spray arm is obstructed by an item in the basket.
- The spray arm jets are blocked - see “Cleaning and care”.
- The opening in the center of the cutlery tray is covered, restricting the flow of water to the middle spray arm.

Shortly after starting a program the “Water Intake” indicator lamp flashes.

- The water shutoff valve is closed.
- The water intake filter is clogged - see “Cleaning and care”.
- Too little water may be entering the machine. This may be due to insufficient water pressure.

Problem solving guide

The dishes are not clean.

- The dishes are incorrectly loaded.
- The correct amount of detergent was not used - see “Program chart”.
- The filters in the wash cabinet are not clean, or the spray arm jets are blocked - see “Cleaning and care”.
- The wrong program was selected – see “Program chart”.

White residue is visible on cutlery and dishware.

- No salt in the salt reservoir.
- Salt reservoir lid has not been screwed on properly.
- Not enough rinse aid was used.

Water remains in the dishwasher at the end of a program.

- The drain hose is kinked or clogged.
- The drain pump or non-return valve may be blocked - see “Cleaning and care”.

The “Water Intake” indicator lights during the “ENERGY SAVER” program.

The “ENERGY SAVER” program requires a water supply temperature of at least 45 °C/115 °F. If the incoming water is less than this temperature, the “Water Intake” lamp illuminates (see also “Program selection”). If your hot water system has been used recently, not enough hot water may have been available to adequately clean the dishes.

- If necessary, repeat the program.

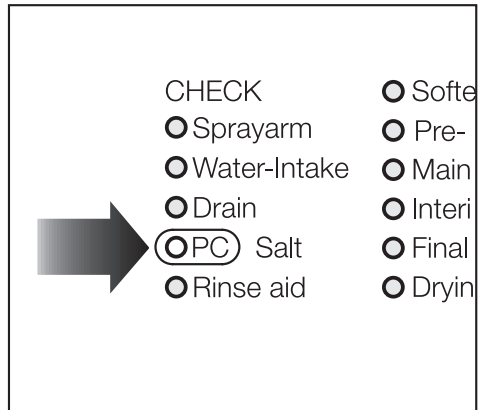
If the “Water Intake” lamp lights again, select a different program.

- Should you still have difficulties, please contact:
 - your Miele Dealer or
 - the Miele Service Department. (See back cover for addresses).

Please have the model number of your appliance available. This information can be found on the data plate on the upper edge of the door.

Program update function - PC

The Salt indicator lamp has a second function: It allows a technician with the proper equipment to access the programming of the dishwasher to take advantage of the latest technological developments.

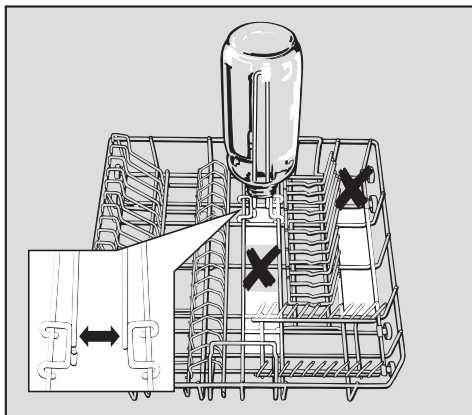


For instance, if a detergent that gives good wash results using only cold water becomes available, the wash programs can be changed to take advantage of this development to help reduce your energy costs.

Accessories

Bottle holder.

(depending on model)



A bottle holder (for milk or baby bottles) is available for use in the lower basket.

To achieve the proper cleaning results, the bottle holder should only be placed in the positions marked with white. **Do not** place them in the **X** marked positions.

Glass insert for the bottom basket:

provides the ability to safely wash glasses in the bottom basket.
(Only available for models with removable inserts in the lower basket.)

Glass insert for the upper basket:

provides special support for long stemmed glassware.

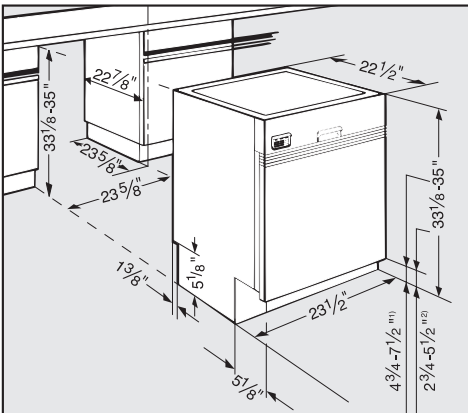
The “i” model dishwasher is specially designed for installation under a continuous countertop.

A panel can be custom made for installation on the front of the dishwasher, assuring a perfect match with the kitchen cabinetry.

If a standard non-cabinet matching dishwasher installation is desired, the “i” model dishwasher can be converted into a “U” model through the addition of a GDU 60/65 decor set. The decor set comes supplied with separate installation instructions.

To ensure stability, these dishwashers should only be installed under a continuous countertop which is securely fastened to the cabinet base units.

Dimensions:



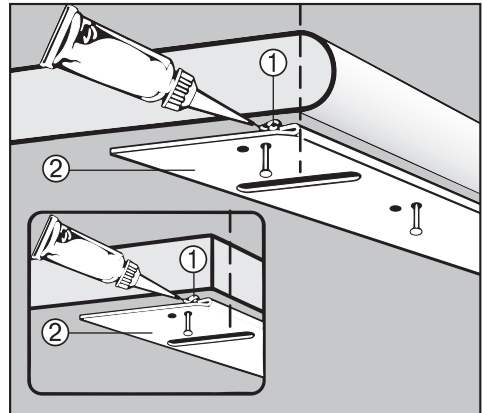
1) with 35" (890 mm) machine height

2) with 33 1/8" (840 mm) machine height

Range of adjustment is approximately 2" (5 cm).

1. Install the steam deflector, (if applicable).

A stainless steel plate is supplied to protect the underside of the countertop against steam rising from the dishwasher when the door is opened. If the countertop is made of Corian®, granite, marble or other solid, waterproof material, the steam deflector should not be used.



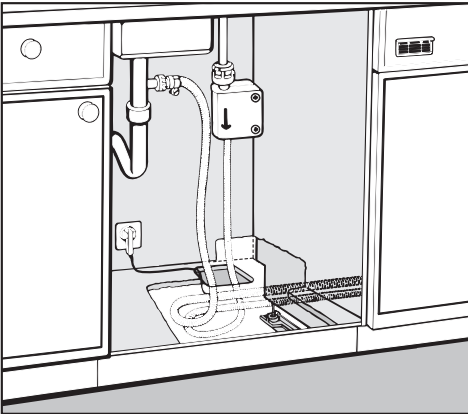
- Squeeze a bead of sealant from the supplied tube into the angle formed by the curved edge ① of the cover plate.
- Align the plate ② with the lower front edge of the countertop (see illustration) and use the supplied tacks to nail it into place.

On countertops with wood or laminate edging, the tacks should be nailed through the rear holes of the plate.

Dishwasher installation

2. Install the dishwasher under the countertop.

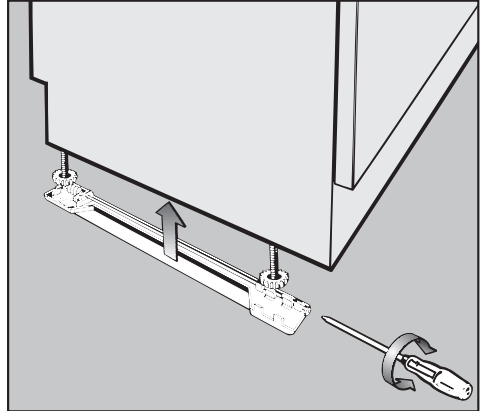
It is preferable to install the main water and electric supplies so that they can be accessed through an adjacent cabinet, rather than situating them behind the machine. See the "Plumbing" and "Electrical" sections for proper connection procedures before continuing.



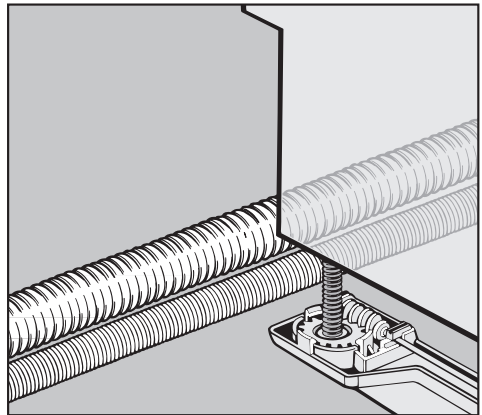
Certain steps in the installation procedures require that the dishwasher be pulled out of its opening. For this reason, perform the plumbing and electrical connections after the machine has been levelled and the front panel has been mounted.

Install the slides.

Two slides are included and should be installed on the feet of the dishwasher before the machine is pushed under the countertop. This will allow the machine to slide easier, protect the floor, and allow adjustment of the rear leveling legs from the front of the machine.

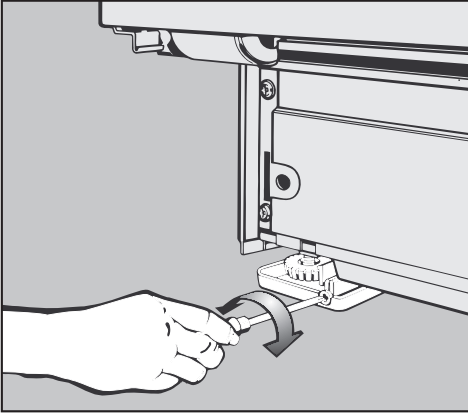


- Place the slides, with the ratchet at the rear, onto the dishwasher legs.
- Unscrew the legs to raise the machine to within 1/4" (5 mm) of the underside of the countertop, and check that the machine is level, before sliding it into its opening.



- Push the machine into the opening, making sure the electrical cable and hoses can reach their connection points without being kinked.

Dishwasher installation

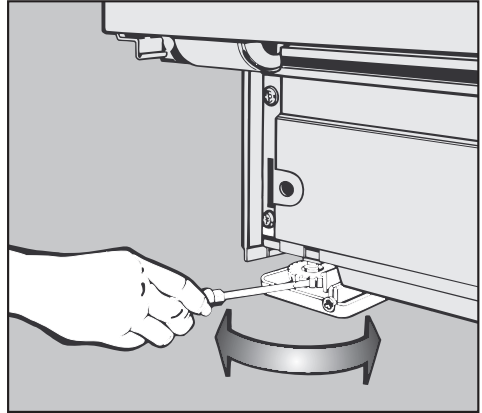


- Adjust the rear leveling legs to the required height.

To raise the machine - turn clockwise.

To lower the machine - turn counter-clockwise.

Several turns may be needed to set the correct height.

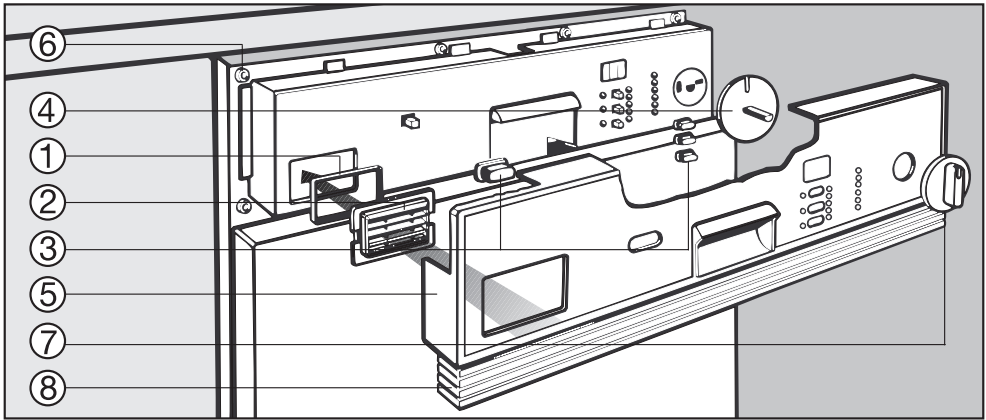


- Adjust the front leveling legs by pushing on the foot with a slotted screwdriver.
- Tipping the machine slightly, if possible, will make adjusting the front legs easier. Make sure the machine is level when adjustments are complete.

The dishwasher should be raised until it just touches the underside of the countertop.

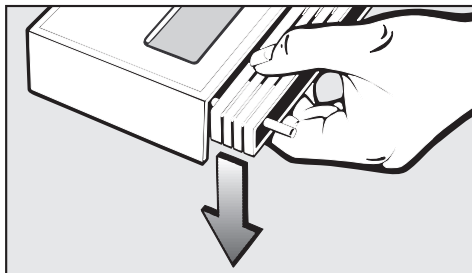
Dishwasher installation

3. Installing the control panel.



The control panel and hardware is packaged separately from the dishwasher. It should be installed using the following procedure.

If the GDU decor set is being used, (to convert an "i" dishwasher to a "U" version), the spacer bars ⑧ must first be removed and stored for possible use in the future, (See the separate instructions for installing the GDU decor set). If the GDU kit is not being used, skip the following step.



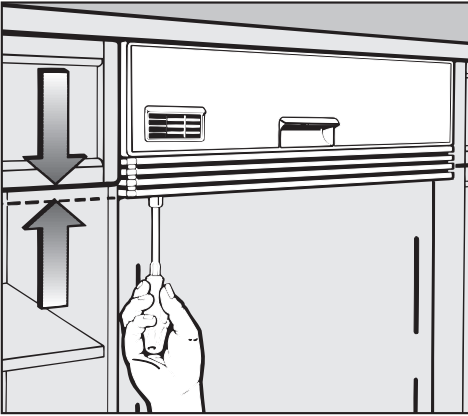
- To remove the spacer bars from the control panel, place the panel on a table, printed side up, and gently push down on the spacer bars at a

point near the bottom of the control panel. This will release the mounting bolts from their slots.

- Install the necessary spacer bars ⑧ on the control panel.
- Place the seal ① onto the ventilation grill. ②
- Push the ventilation grill ② into the metal backing plate.
- Place the covers ③ over the push-button switches.
- Install the adapter disc ④.
- Position the control panel ⑤ over the backing plate and fasten it from the inside of the door ⑥ using the six screws provided.
- Align and press the program knob onto its shaft ⑦.

4. Aligning the control panel with the drawer fronts.

- The control panel can be aligned with the drawer fronts of the kitchen cabinets by adjusting the spacer bars.



- Using an 8 mm socket, turn the nut clockwise or counterclockwise until the spacers reach the required height.
- If necessary, individual (or all) spacer bars can be removed.

Adjustment range:

from 4 1/2" (112 mm) (control panel without spacer bars)

to 5 3/4" (145 mm) (control panel with four spacer bars).

In special circumstances a fifth spacer bar (optional accessory) can be used to increase the panel height to 6" (154 mm).

- After adjusting the control panel height, cut off the plastic screw excess.

5. Installing the custom door panel.

A custom door panel matching the kitchen cabinetry can be installed on the dishwasher by using the provided bracket.

Length: 21" - 25 3/4" (53.3 - 65.4 cm)

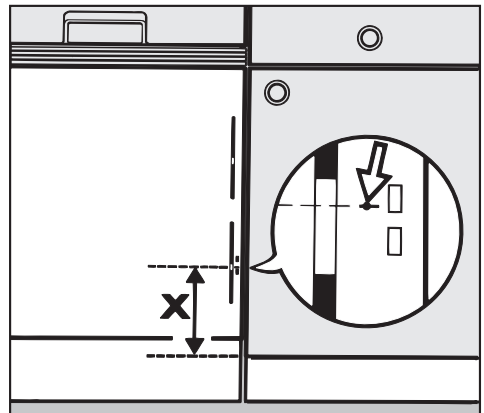
Width: 23 1/2" (59.8 cm)

Note: The maximum panel length is only applicable when no spacer bars are used.

If a Stainless Steel panel is being used, please follow the separate installation instructions included with the panel.

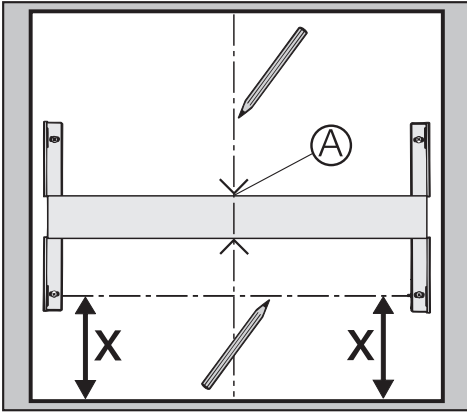
After panel installation, see Step 6 "Adjusting the door springs".

Proceed as follows:



- Measure the distance (X) between the lower mounting hole on the dishwasher front door (see inset arrow) and the lower edge of the neighboring cabinet door.

Dishwasher installation



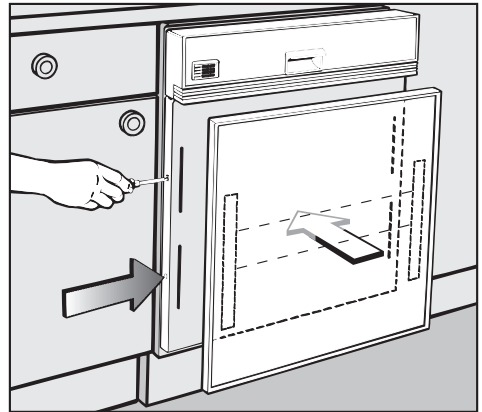
- Place the door panel on a flat surface, good side face down, taking care not to scratch the surface. Make certain that the bottom of the panel is closest to you.
- Using a pencil, lightly draw a center-line from top to bottom.
- Using the previous measurement, draw a horizontal line "X" inches above the bottom of the panel.

Important: Make certain the line drawn using measurement "X" is located at what will be the bottom of the panel when it is attached to the dishwasher.

- The mounting bracket is marked in the middle (A). Lay the bracket on the rear side of the door front so that the mark (A) in the middle of the bracket aligns with the vertical guide line, and the lower holes of the bracket are centrally positioned in the horizontal guide line (see illustration). Use strips of adhesive tape to hold the bracket in this position.
- Mark and drill pilot holes for the screws using a 3/32" (2.5 mm) drill bit.

- Attach the bracket to the panel using the 4 screws provided.
- Double check the location of the bracket before mounting the panel to the dishwasher.

Attaching the panel.



- Pull the dishwasher out from under the countertop about 4" (10 cm).
If the dishwasher is installed at the end of the kitchen cabinets: Pull the machine out as far as is necessary to reach the 4 locking screws located on the edge of the door.
- Attach the panel to the dishwasher by aligning the bracket tabs with the slots on the door.
- Straighten the panel and lock it into place by tightening the 2 locking screws on each edge of the door.
- Use the provided caps to plug the locking screw access holes.
- Push the dishwasher back under the countertop, and proceed to Step 6, "Adjusting the door springs".

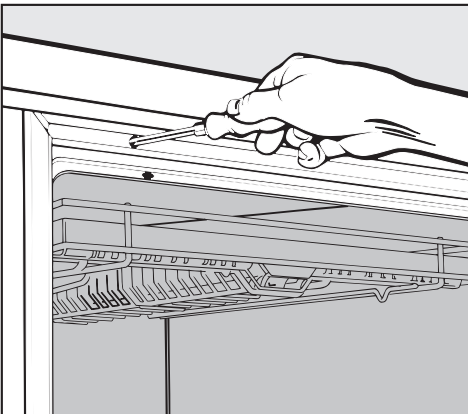
6. Adjusting the door springs.

The door springs are adjusted correctly when a half opened door remains in that position when released.

If the door drops down, the springs need to be tightened.

If the door closes, the springs need to be loosened.

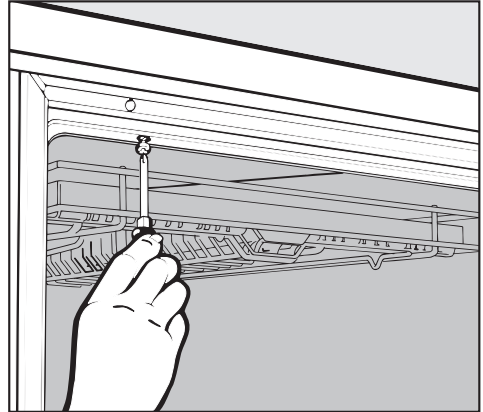
The adjusting screw is located in the upper front strip, on the left hand side of the dishwasher.



- Open the dishwasher door.
- Adjust the door springs to the correct balance:
 - turn clockwise to tightened
 - turn counterclockwise to loosen.

7. Securing the dishwasher to the countertop.

To ensure the stability of the dishwasher, it must be attached to the countertop after it has been positioned.



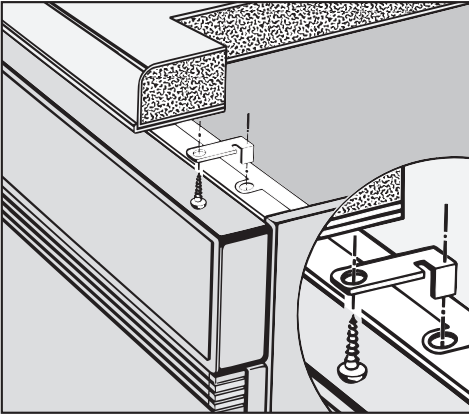
- Open the dishwasher door.
- Using the screws provided, fasten the dishwasher to the countertop through the two holes located on the upper rim.

The weight of the machine must be supported by the legs, not the countertop fastening screws. If securing the top takes the weight off of the legs, extend the legs further until they are tight against the floor.

Do not drill any additional holes through any portion of the wash cabinet. If in doubt about how to secure the dishwasher, please call the Miele Service Department.

Dishwasher installation

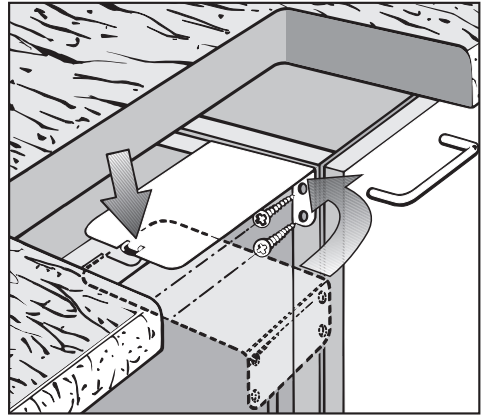
If the edge of the countertop is too narrow, or the machine is being installed under a cut out area, use the securing bracket provided.



- Pull the dishwasher out from under the countertop about 4" (10 cm).
- Position the securing bracket.
- Push the dishwasher back into the opening, and secure it through the hole in the bracket.

For Corian® or granite countertops, fasten the dishwasher to the adjacent cabinets as follows:

For openings greater than 23 5/8" (60 cm) wide:

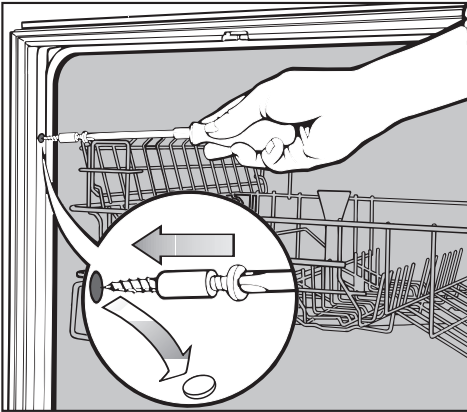


- Pull the dishwasher 4" (10 cm) out of its opening.
- Insert the tab of each optional mounting bracket into the guide hole on top of the dishwasher, and then swing it to the right or left as required.

Push the dishwasher back into its opening, align and fasten it to the adjacent cabinets using 2 screws for each bracket.

For openings 23 5/8" (60 cm) wide:

- Open the dishwasher door and remove the caps covering the mounting holes on the outer edge of the wash chamber.



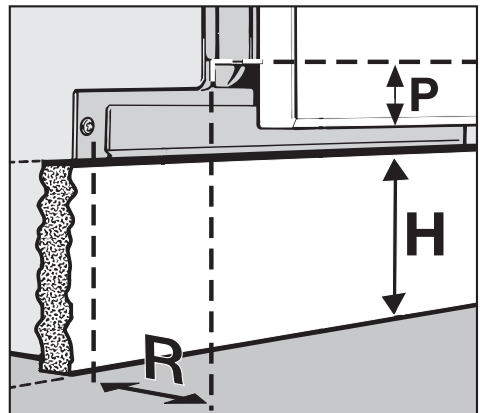
- Fasten the dishwasher to the adjacent cabinets using the supplied screws and bushings. Make sure a bushing is placed over the screw before inserting it into its mounting hole.
- Tighten the screws and replace the caps.

The side mounting holes should only be used for securing the dishwasher if the opening is 23 5/8" (60 cm) wide. Use of this method on larger openings will damage the machine and cause leaks.

8. Installing the toe-kick.

For kitchens utilizing one continuous toe-kick

To prevent damaging the front panel, and before installing the toe-kick, measurements must be taken to ensure that the toe-kick will not interfere with the complete opening of the dishwasher door.



The panel overhang (**P**), and toe-kick depth of recess (**R**), determine the maximum dishwasher toe-kick height (**H**).

If the panel contacts the toe-kick while the dishwasher door is being opened, the dishwasher toe-kick must be cut shorter or recessed deeper.

If (**H**) is equal to or less than the toe-kick height of the adjoining cabinetry, no interference will exist, provided that (**R**) is at least 3/4".

Note: If a decorative or flush mount toe-kick is desired, and (**R**) is less than 3/4", other modifications, such as beveling the top rear edge of the toe-kick, may be adequate.

Dishwasher installation

For kitchens utilizing a non-continuous toekick

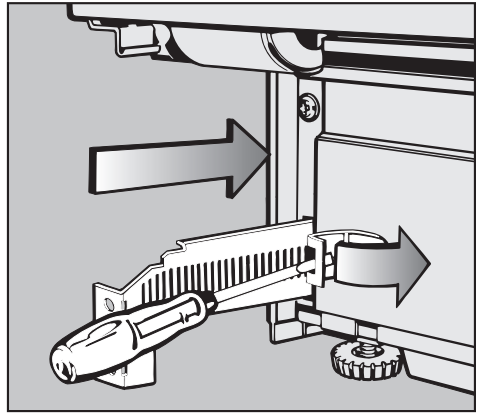
The included toekick will fit without modification when:

- The machine is set to its maximum height (legs fully extended), and
- the toekick is recessed as far as possible (4 ").

If the machine height is less than maximum, or if the toekick is recessed less than 4 ", the toekick must be shortened (see following page).

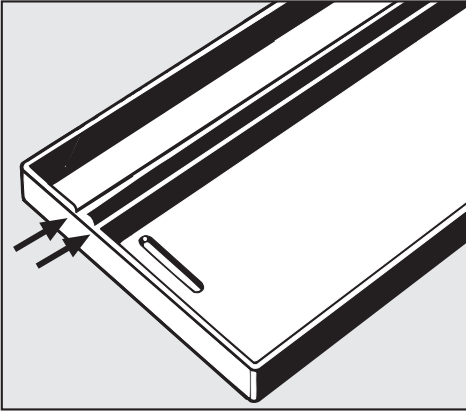
After installation, carefully open the dishwasher door to check that the front panel does not hit the toekick. If it does, remove the toekick and trim it accordingly.

Adjusting the toekick recess.

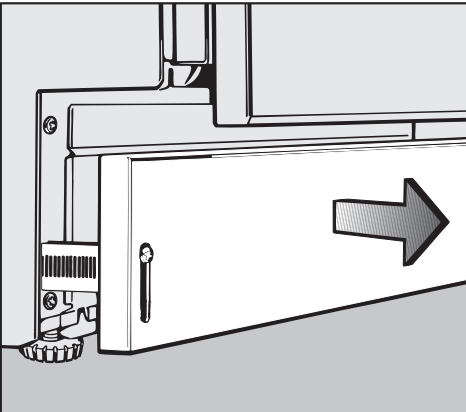


- To adjust the depth (recess) of the toekick, release the tension on the spring clips as shown, and push the mounting brackets in as far as possible.

Trimming the toeckick

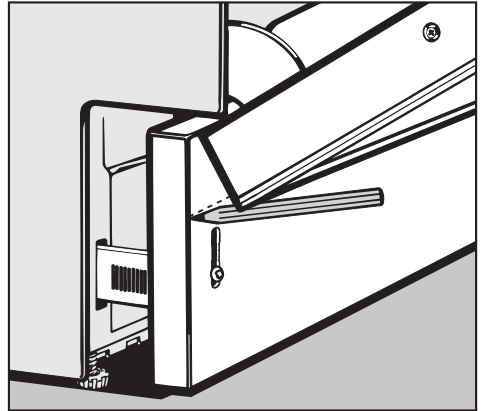


The rear of the toeckick has two cutting lines.



- Screw the toeckick onto the installed brackets, with the cutting lines towards the top, and pull out evenly until it aligns with the toeckick of the adjoining cabinets.

The toeckick cannot be pushed back in. It must be unscrewed, so that the tension on the spring clips can be released. The brackets can then be pushed in, and the toeckick re-attached.



- Carefully open the dishwasher door until it hits the toeckick.
- Using the front lower edge of the door panel as a guide, draw a line across the toeckick.
- Unscrew and remove the toeckick.
- If one of the cutting lines is close to the line just drawn, score the front of the toeckick, and snap off the excess, or, trim the toeckick along the line using a saw.
- Screw the toeckick back onto the brackets, with the cut edge at the bottom.

If the dishwasher door does not open completely, the toeckick may need further trimming.

Electrical connection

It is the responsibility and obligation of the customer to ensure that the electrical and plumbing installation is carried out by a qualified installer in compliance with national and local codes and ordinances.

Disconnect the appliance from the power supply before servicing the machine by pulling the plug or turning off the circuit breaker.

Specifications.

Power Supply: 120 VAC, 60 Hz

Rated Load: 12.5 A / 1500 W

Circuit breaker: 15 AMPS

The unit is equipped with a 5 ft (1.5 m) power supply cord for connection to a 120 V, 15 AMP **grounded** receptacle.

Using an outlet:

- It is recommended that the power outlet for the appliance be installed in a cabinet or on a wall adjacent to the undercounter space in which the appliance itself will be located. An opening through the partition between the compartments of 1" to 1 1/2" (3 to 4 cm) can be made to allow the plug to pass through.
- Make certain that there are no rough edges that could damage the power cord. If metal cabinets are used, place the supplied rubber grommet around the edge of the opening before passing the cable through.

- Exercise care when pulling the dishwasher in or out, so as not to damage the power cord or hoses.

GROUNDING INSTRUCTIONS.

THIS APPLIANCE MUST BE PROPERLY GROUNDED.

In the event of a malfunction, grounding reduces the risk of electric shock by providing a path of least resistance for the electric current. This appliance is equipped with a cord that has a grounding conductor and plug. The plug must be connected to an appropriate outlet that has been installed and grounded in accordance with all local and national codes and regulations.

DANGER - Improper installation of the electrical outlet or improper grounding can result in the risk of electric shock. Check with a qualified electrician if you are in doubt as to whether the appliance is properly grounded. Do not modify the plug provided with the appliance. If it will not fit the outlet, have the correct outlet installed by a qualified electrician.

Permanent Connection (Hard Wiring).

For hard wiring, the power cord must be disconnected from the terminal box located at the lower left front of the dishwasher, behind the toekick and service panel. Pass the permanent power supply cable through the strain relief and secure it to the terminal box.

Connect:

L1 (Black) to L on terminal block

N (White) to N on terminal block

GRND To ground connector

GROUNDING INSTRUCTIONS.

THIS APPLIANCE MUST BE
PROPERLY GROUNDED.

Warning.
Hardwiring the dishwasher should only be done if required by local electrical codes, and then in a manner consistent with those codes. Do not cut the plug off the power supply cord and connect it directly to the house wiring.

Plumbing

It is the responsibility and obligation of the customer to ensure that the electrical and plumbing installation is carried out by a qualified installer in compliance with national and local codes and ordinances.

All dishwashers that carry the following blue and white sticker are designed to shut off the water and drain the wash chamber in the rare event of an internal water valve failure.

In order for this function to be active, the door must be shut, the machine must be "ON", and the Program knob must be in the "STOP" position.



Hot water supply specifications:

Recommended temperature: 120°F
(49°C)

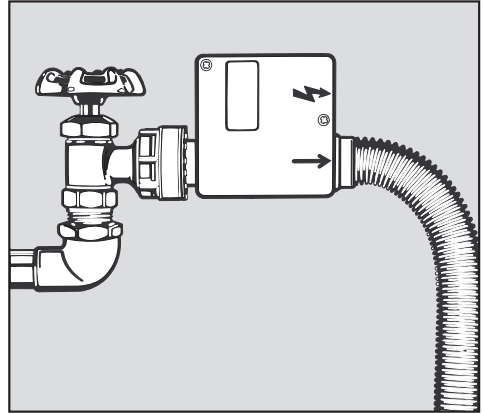
Maximum temperature: 140°F (60°C)

Water pressure: 14.5 - 145 psi
(0.3 - 10 bar)

An air gap is built into the water inlet system to prevent potable water mixing with waste water.

Hot water connection.

New plumbing:



The water inlet hose comes equipped with a 3/4" female hose thread connector. This can be directly connected to a shut off valve with 3/4" male hose thread ends.

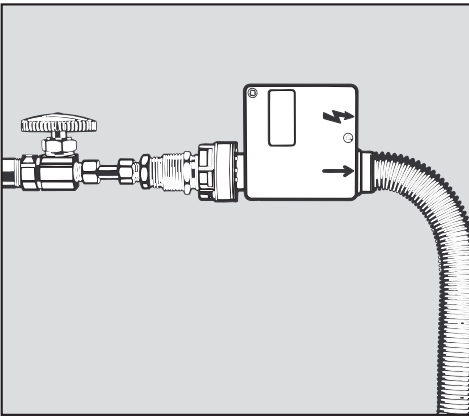
It is preferable that the hose assembly be installed vertically so the hose exits from the bottom of the valve box.

If this is not possible, it can be installed horizontally, provided the hose exit remains beneath the main body of the box (see illustration). (The "lightning bolt" should be above the "arrow" when the installation is complete). The valve box should also be installed so that it is at least 8" (24 cm) above the floor (or base of the cabinet), and so the excess coiled hose will remain lower than the box at all points.

A 2" x 4" (60 x 115 mm) cutout in either the side or bottom of the cabinet adjoining the dishwasher is necessary if the valve box needs to be passed through.

The water pressure must be between 4.5 and 145 psi (0.3 and 10 bar). If the water pressure is too low the machine may not take in enough water in the allotted time and the “Water Intake” indicator lamp will flash. If this occurs, the water intake time can be increased (see “Problem solving guide”). If the water pressure is too high, a pressure reducer must be installed.

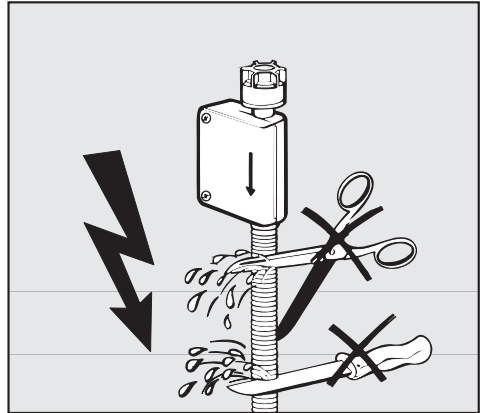
Existing plumbing:



If the standard 3/8" copper plumbing for a dishwasher already exists with a compression fitting and valve as pictured:

- Cut the 3/8" copper tubing after the valve.
- Install the 3/8" compression to 3/4" MHT (Male Hose Thread) adapter (supplied with the machine), as illustrated.
- Connect the inlet hose to the existing valve/adapter assembly.

Electrical wiring and components should not come into contact with any plumbing fixtures or hoses.



Do not, under any circumstances, cut the intake hose. If the hose is cut, the dishwasher will not work, you will have a water leak and you could be injured. If the hose is too long, coil it neatly and place it behind the machine.

Plumbing

Drain system specifications:

The machine comes equipped with:

- A 5 ft. long (1.5 m) flexible drain hose with an internal diameter of 7/8" (22 mm).
- A built-in swivel connector which allows the drain hose to be routed in any direction.
- A built in non-return valve on the discharge side to prevent waste water from flowing back into the dishwasher.
- A built-in odor trap on the discharge side to prevent odors from entering the kitchen.

Maximum drain height: 3 ft (1 m)

Maximum drain hose length: 12 ft (3.5 m)

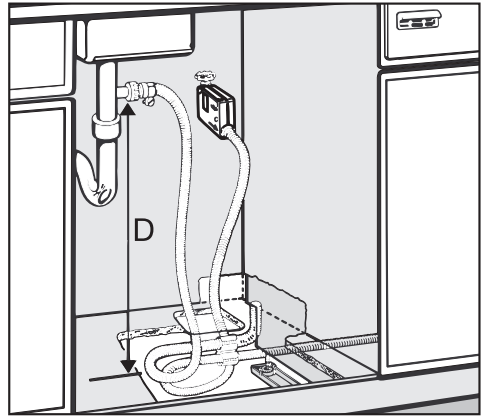
Do not shorten the drain hose.

Electrical wiring and components should not come into contact with any plumbing fixtures or hoses.

IMPORTANT:

The dishwasher should be connected directly to the drain line.

Drain connection:



D = 24 " (60 cm) (nominal)

Connect the supplied drain hose to the drain pipe of the kitchen sink either:

A - **above** the trap using the clamp provided, or

B - to the dishwasher connector of the garbage disposal.

When connecting the drain hose to the garbage disposal, make sure to remove the knockout from the connection nipple. (See disposal manufacturers instructions for this procedure.)

A sample of a correct water and drain installation of a dishwasher is shown.

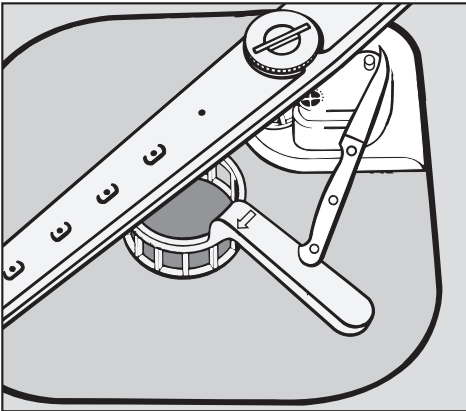
A hose that attaches to a sink spray can burst if it is installed on the same water line as the dishwasher. If your sink has one, it is recommended that the hose be disconnected and the hole plugged.

Venting the drainage system

Only if the dishwasher drain hose is connected to a **floor drain or to a drain pipe that is below the level of the lower baskets wheels**, the drain must be vented; otherwise the water inside of the dishwasher may siphon out during the course of a wash program.

Vent the drain:

- Open the dishwasher door.



- Cut off the vent cap located at the right rear of the dishwasher, behind the filters, as illustrated

Additional note.

Since all Miele dishwashers are equipped with an odor trap and non-return valve, the drain hose can be connected directly to the drain pipe as illustrated.

If plumbing codes require an external air gap on the discharge side of the dishwasher, the following requirements must be met:

- No part of the drain hose should be higher than 39" (1 mm).
- If installed horizontally, the drain hose can be up to 12 ft. (3.5 m) long. If the drain hose is angled upwards in any way, it cannot be longer than 5 ft. (1.5 m).
- The drain connection should be made as close as possible to the dishwasher.
- The internal diameter (7/8" or 22 mm) of the drain hose should not be reduced at any point.

Technical Data

Height	33 1/8" (84 cm) adjustable to 35" (89 cm)
Width	23 1/2 " (59.8 cm)
Width of opening	23 5/8" (60 cm)
Depth	22 1/2" (57 cm) U and i models
Depth with door open	47 1/2" (120.5 cm) U and i models
Voltage	110/120 V AC
Rated load	12.5 A / 1500 W
Fuse rating	15 A
Water pressure	4.5 - 145 psi (0,3 - 10 bar)
Hot water connection	120°F (49°C) (max 140°F (60°C))
Drain height	3 ft (1 m) maximum
Drain length	12 ft (3.5 m) maximum
Power cord length	approx. 5 ft (1.5 m)

Miele

Miele Appliances, Inc.

National Headquarters

22D Worlds Fair Drive
Somerset, NJ 08873
Phone: 908-560-0899
Fax: 908-560-9649

Southeast Regional Headquarters

6400 Congress Avenue
Suite 1700
Boca Raton, FL 33487
Phone: 561-995-8030
Fax: 561-995-8083

West Coast Regional Headquarters

1900 South Norfolk Street
Suite 101
San Mateo, CA 94403
Phone: 415-571-9074
Fax: 415-571-9188

Mid West Regional Headquarters

3100 West Dundee Road
Suite 901
Northbrook, IL 60062
Phone: 847-714-9433
Fax: 847-714-9434

Miele Limited

55G East Beaver Creek Road
Richmond Hill
Ontario L4B 1E5
Phone Number (905) 707-1171
Fax Number (905) 707-0177

Internet: <http://www.miele.de>

Free Manuals Download Website

<http://myh66.com>

<http://usermanuals.us>

<http://www.somanuals.com>

<http://www.4manuals.cc>

<http://www.manual-lib.com>

<http://www.404manual.com>

<http://www.luxmanual.com>

<http://aubethermostatmanual.com>

Golf course search by state

<http://golfingnear.com>

Email search by domain

<http://emailbydomain.com>

Auto manuals search

<http://auto.somanuals.com>

TV manuals search

<http://tv.somanuals.com>