


## Installation Instructions

ESW 47xx

ESW 48xx en\_CA

Installation, repair and maintenance work should be performed by a Miele authorized service technician in accordance with national and local safety regulations and the provided installation instructions.

 **CAUTION:** Before servicing, disconnect the power supply by either removing the fuse, shutting off the power main or manually "tripping" the circuit breaker.

Installation work and repairs should only be performed by a qualified technician in accordance with all applicable codes and standards. Repairs and service by unqualified persons could be dangerous and the manufacturer will not be held responsible.

Before connecting the appliance to the power supply, make sure that the voltage and frequency listed on the data plate correspond with the household electrical supply. This data must correspond to prevent machine damage. Consult an electrician if in doubt.

Only operate the warming drawer after it has been installed into the countertop.

### Power supply

This appliance is equipped with a 5 ft (1.5 m) long power cord with a three-prong grounding plug ready for connection to a 120 V, 15 A, 60 Hz power supply.

Further installation details are on the wiring diagram.

**Installer:**  
**Please leave these instructions with the consumer.**

# Installation

---

## Installation tips

- The warming drawer should be placed at a convenient height for easy access.
- The drawer should be installed clear of drafts caused by open doors and windows.
- Proper clearance must be allowed for the warming drawer to open with out interference.
- The warming drawer must be secured to cabinetry to prevent the drawer from tipping when loaded.
- The warming drawer should be level to prevent the drawer from sliding open or closing on its own. The drawer cannot be leveled after it has been installed. If necessary install a shelf within the cabinetry to support the drawer.

Steam from the vents can damage the cabinetry surrounding the warming drawer.

### **Solo Installation:**

A minimum gap of 2" (5 cm) must be present between the upper edge of the warming drawer and the cabinetry.

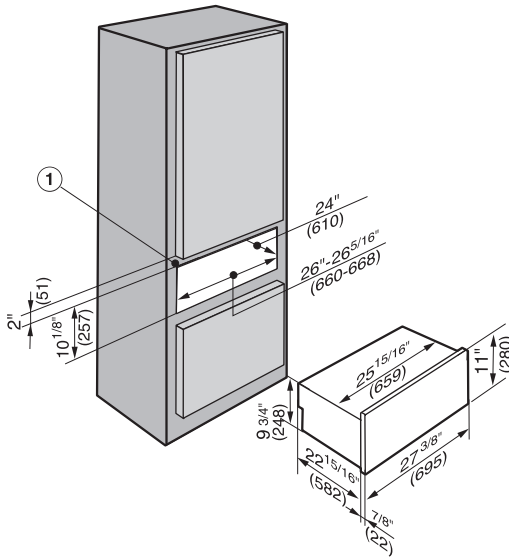
### **Installation in combination with an oven:**

A minimum gap of 1" (2.5 cm) must be present between the upper edge of the warming drawer and the oven.

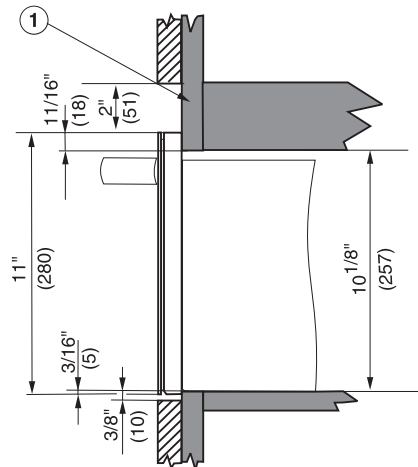
This gap should be sealed with a moisture resistant sealing material.

## Dimensions for Solo Installation

ESW 47x0



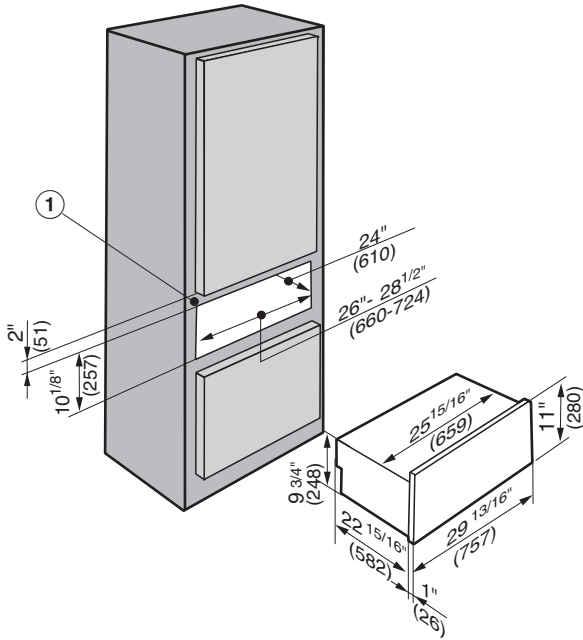
a Material must be moisture resistant



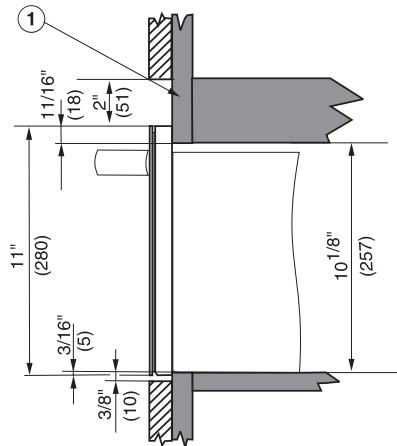
Miele appliances can be installed flush or proud. Discuss your installation requirements with you architect, designer and installer.

# Installation

## ESW 48x0

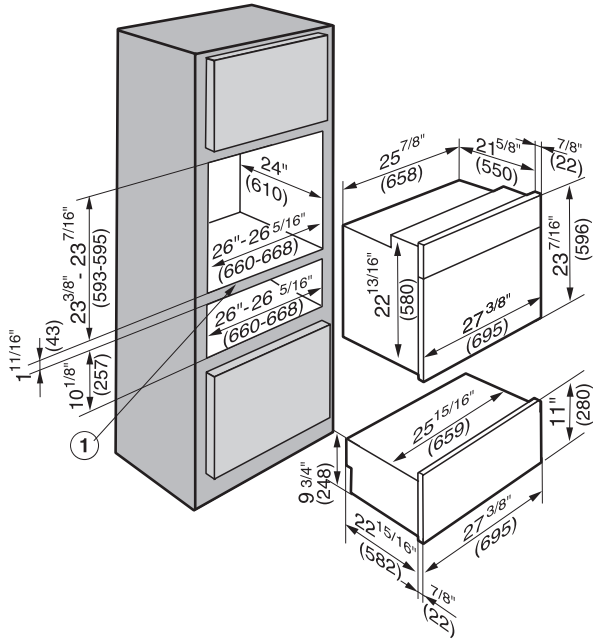


① Material must be moisture resistant

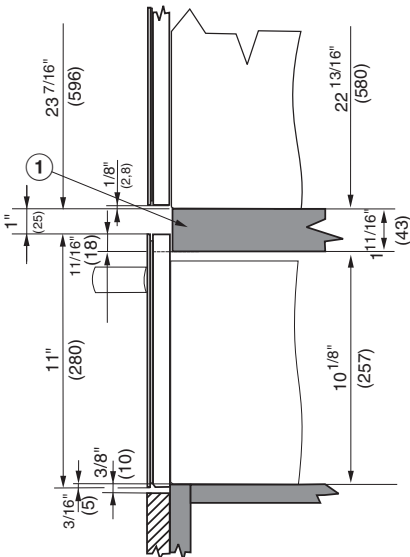


## Dimensions for a combination installation with an oven

ESW 47x0

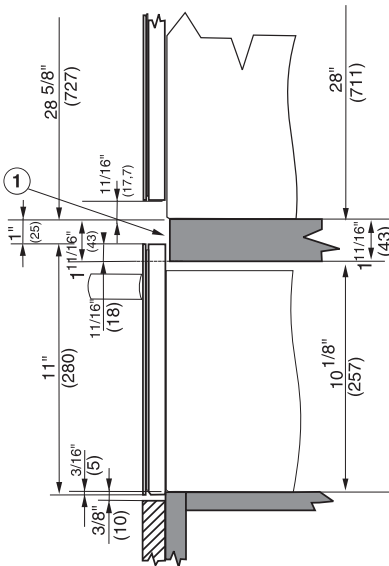
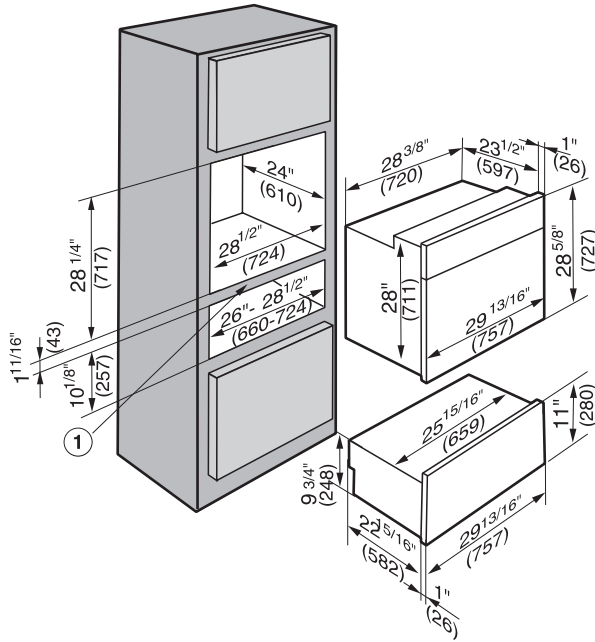


① Material must be moisture resistant



# Installation

## ESW 48x0

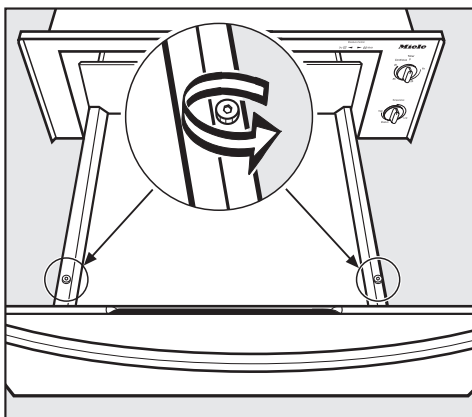


① Material must be moisture resistant

## Installing the warming drawer

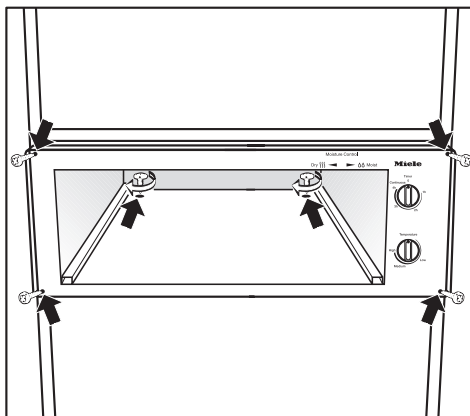
- Remove the drawer from the casing before installing the appliance into the cabinetry.

## Removing the drawer



- Pull the drawer completely out and loosen the nuts.
- Carefully lift the drawer and pull it slowly out. Set the drawer down on a flat, stable surface.

- Push the casing in the cabinetry.



- Secure the casing in the cabinetry with the six screws.

## Inserting the drawer

- Pull out the telescopic skis from the casing.
- Set the drawer on the telescopic skis and secure with the two nuts.



# Installation

## Integrated installations Models 4700 FB and 4800 FB

Custom made front panels can be installed with models 4700 FB and 4800 FB.

### Panel dimensions

#### 4700 FB

Width 27 <sup>3</sup>/<sub>8</sub>" (695 mm)  
Height 11" (279 mm)

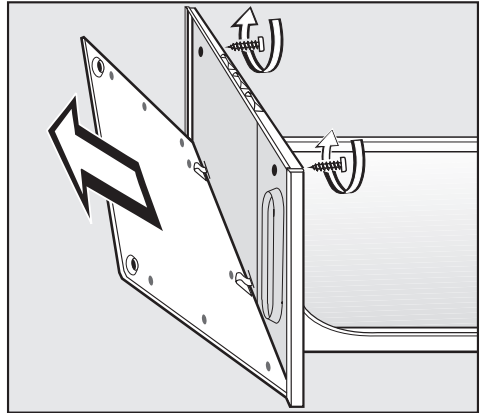
#### 4800 FB

Width 29 <sup>13</sup>/<sub>16</sub>" (757mm)  
Height 11" (279 mm)

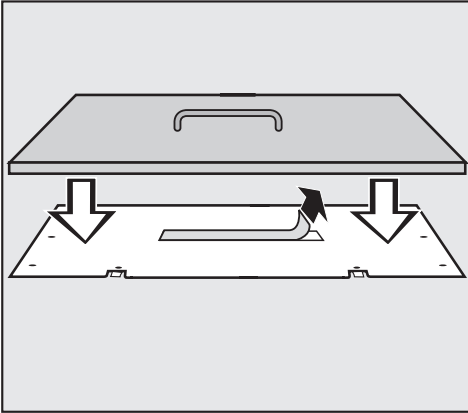
The custom panel must be at least <sup>3</sup>/<sub>8</sub>" (10 mm) thick and made of heat resistant material 140 °F (60 °C).

- ① Install a handle to the custom front panel using counter sunk screws.
- ② Remove the drawer from the casing. See "Removing the drawer".

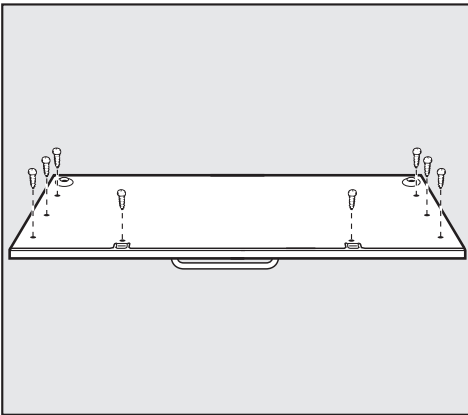
The panel attached to the warming drawer front can be used as the drilling template for the custom panel.



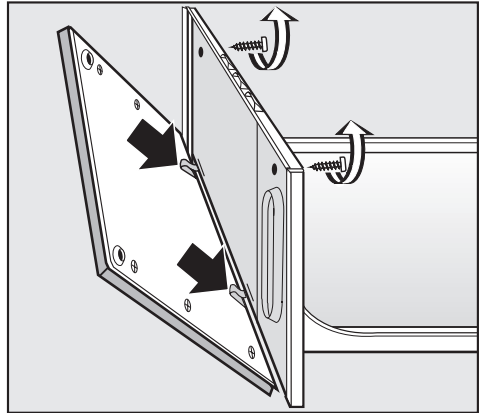
- ③ Loosen the two screws on the inner side of the drawer and remove the panel from the appliance front.
- ④ Place the panel on a firm surface with the adhesive tape facing up. Peel the backing from the adhesive tape.
- ⑤ Position the custom panel over the removed panel using the tape to hold it in place.



- ⑥ Press the custom panel tightly onto the removed panel.



- ⑦ Screw the removed panel to the custom panel with the eight screws.



- ⑧ Hook the panels into the bottom on and secure at the top with two screws making sure the seal is seated correctly.

When contacting the Technical Service,  
please quote the model and serial number  
of your appliance.

---



**Miele, Inc.** (USA)

**National Headquarters**

9 Independence Way  
Princeton, NJ 08540  
Phone: 800-843-7231  
609-419-9898  
Fax: 609-419-4298  
[www.miele.com](http://www.miele.com)

**Technical Service & Support  
Nationwide**

Phone: 800-999-1360  
Fax: 888-586-8056

**Miele Limited** (CDN)

**Headquarters and Showroom**

161 Four Valley Drive  
Vaughan, ON L4K 4V8  
Phone: 800-643-5381  
905-660-9936  
Fax: 905-532-2290  
[www.miele.ca](http://www.miele.ca)  
[info@miele.ca](mailto:info@miele.ca) (general enquiries)  
[professional@miele.ca](mailto:professional@miele.ca) (commercial enquiries)

**MieleCare National Service**

Phone: 800-565-6435  
905-532-2272  
Fax: 905-532-2292  
[service@miele.ca](mailto:service@miele.ca) (technical enquiries)

## Free Manuals Download Website

<http://myh66.com>

<http://usermanuals.us>

<http://www.somanuals.com>

<http://www.4manuals.cc>

<http://www.manual-lib.com>

<http://www.404manual.com>

<http://www.luxmanual.com>

<http://aubethermostatmanual.com>

Golf course search by state

<http://golfingnear.com>

Email search by domain

<http://emailbydomain.com>

Auto manuals search

<http://auto.somanuals.com>

TV manuals search

<http://tv.somanuals.com>