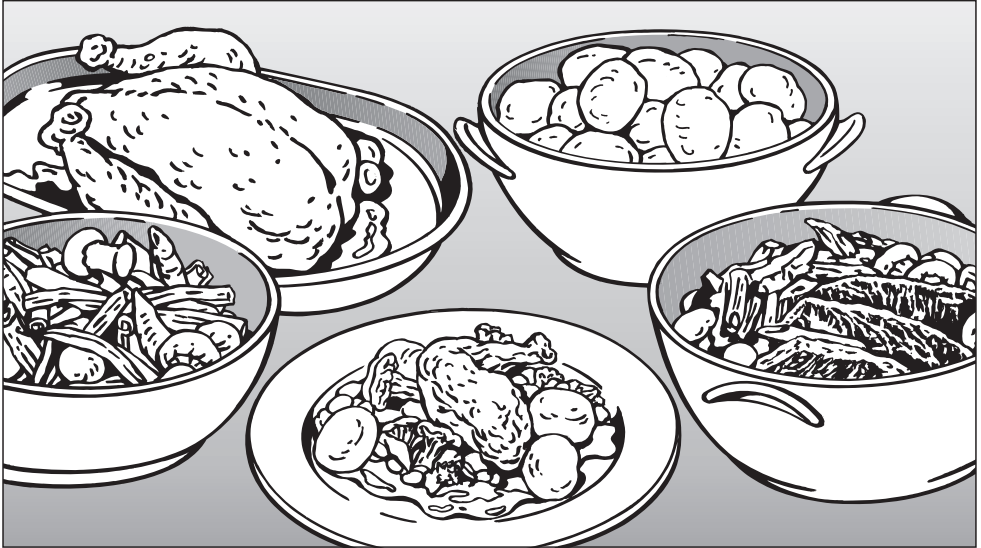


Miele

Operating and Installation Instructions



Built-in Warming Drawer

ESW 4701 / ESW 4711 / ESW 4721

ESW 4801 / ESW 4811 / ESW 4821

en - US, CA

To prevent accidents
and machine damages,
read these instructions
before installation or use.

M.-Nr. 07 179 280

IMPORTANT SAFETY INSTRUCTIONS	4
Guide to the warming drawer	8
Guide to the controls	9
Timer	9
Temperature selector	10
Humidity control	11
Temperature and Humidity Suggestions	12
Loading the warming drawer	13
Tips	14
Using the warming drawer	15
Keeping food warm	15
Warming dishes	16
Warming drawer care	17
Appliance front and control panel	17
Glass	17
Stainless steel	17
Drawer	18
Non-slip mat	18
Rack	18
Frequently asked questions	19
Technical Service	20
Installation instructions	21
Help protect our environment	22
Disposal of the packing materials	22
Disposal of an old appliance	22
Electrical connection	23
Installation	24
Installing the warming drawer	29
Removing the drawer	29
Inserting the drawer	29
Integrated installations	30

IMPORTANT SAFETY INSTRUCTIONS

WARNING- When using the warming drawer follow basic precautions, including the following:

Read all instructions before installation or use of the warming drawer to prevent injury and machine damage.

This appliance is only intended for domestic use to hold cooked food at serving temperature. Any other use is at the operator's own risk and could be dangerous.

This appliance conforms to all uniform safety codes and regulations. The manufacturer cannot be held responsible for damage or injury caused by improper use of this appliance.

Keep these operating instructions in a safe place and pass them on to any future user.

SAVE THESE INSTRUCTIONS!

Technical safety

► Before installation make sure that the voltage and frequency listed on the data plate correspond with the household electrical supply. This data must correspond to prevent injury and machine damage. Consult a qualified electrician if in doubt.

► To guarantee the electrical safety of this appliance, continuity must exist between the appliance and an effective grounding system. It is imperative that this basic safety requirement be met. If there is any doubt, have the electrical system of the house checked by a qualified electrician.

The manufacturer cannot be held responsible for damages caused by the lack, or inadequacy, of an effective grounding system.

► Installation, repair and maintenance work should be performed by a Miele authorized service technician. Work by unqualified persons could be dangerous and may void the warranty.

► Before installation or service, disconnect the power supply to the work area by removing the fuse, "tripping" the circuit breaker, or unplugging the unit.

IMPORTANT SAFETY INSTRUCTIONS

▶ This appliance must only be used after it has been installed in cabinetry to ensure all electrical components are shielded.

▶ Never open the outer casing of the appliance. Tampering with electrical connections or components and mechanical parts is dangerous and can cause machine damage.

▶ Do not operate any appliance with a damaged cord or plug, after the appliance malfunctions or has been damaged in any manner. Return the appliance to the nearest authorized service facility for service.

▶ Do not connect the appliance to the electrical supply with an extension cord. Extension cords do not guarantee the required safety of the appliance, e.g. danger of overheating.

▶ This equipment has not been designed for maritime use or for use in mobile installations such as aircraft or recreational vehicles. However, under certain circumstances it may be possible for installation in these applications. Please contact the nearest Miele Dealer or the Miele Technical Service Department with specific requirements.

Use

▶ To prevent burns do not touch hot surfaces, use handles or knobs.

▶ Use only dry, heat resistant pot holders. Moist or damp pot holders used on hot surfaces may result in steam burns. Do not substitute towels or other bulky items for pot holders.

▶ Do not touch or let flammable materials, e.g. clothing, come in contact with the top mounted heating element or other interior surfaces of the warming drawer until they have had sufficient time to cool. Heating elements may be hot even though they are not glowing.

▶ Keep children away from the appliance and its controls. Supervise its use by the elderly or infirm. The appliance can get very hot during use. Danger of burns!

▶ Do not store anything in the warming drawer. Forgotten items could melt or catch fire when the appliance is turned on. Flammable liquids and materials should never be stored in or above the warming drawer.

▶ Food warmed for a long period will dry out and could ignite. Make sure food is not forgotten in the warming drawer.

IMPORTANT SAFETY INSTRUCTIONS

- ▶ Do not replace the non-slip mat of the warming drawer with any other type of mat.
- ▶ It is possible that some bacterial growth may occur in foods kept for lengthy periods of time at low temperature levels.
- ▶ Before serving, be sure food is at a safe temperature. This is particularly important when preparing food for babies and children.
- ▶ Never warm undiluted alcohol in the warming drawer, this can easily ignite.
- ▶ Exercise caution when warming food with a high sugar content. If heated for too long the sugar may caramelize or ignite.
- ▶ Only use heat resistant dishes.
- ▶ Do not place food in unopened containers in the warming drawer. Pressure may build up and cause them to explode.
- ▶ Do not use plastic containers or plastic wrap in the warming drawer. These items may melt and cause damage to the warming drawer or injury.
- ▶ Close the drawer after removing food. An opened drawer can be a trip or burn hazard.
- ▶ Always open the drawer carefully. Allow hot air or steam to escape before placing or removing food.
- ▶ Do not lean or sit on the drawer. This will damage the drawer which can only hold a maximum of 33 lbs (15 kg).
- ▶ Use a food thermometer to check the temperature of food.
- ▶ Only use the warming drawer with the non-slip mat in place to prevent injuries and machine damage.
- ▶ To prevent injuries, do not use accessories not recommended by Miele.
- ▶ Before cleaning the appliance, trip the circuit breaker and allow the appliance to cool.
- ▶ Do not use a steam cleaner to clean the drawer. Steam could penetrate electrical components and cause a short circuit.

IMPORTANT SAFETY INSTRUCTIONS

General notes

▶ Children should not be left alone or unattended in an area where an appliance is in use. They should never be allowed to sit or stand on any part of the appliance.

Caution: Do not store items of interest to children in cabinets above or in the warming drawer. Children climbing on the appliance to reach these items could be seriously injured.

▶ Be aware of loose-fitting or hanging garments while using the warming drawer. They may present a fire hazard.

▶ Do not leave the warming drawer unattended while in use.

▶ Do not use water on grease fires! A violent steam explosion may result. Smother the fire with a dry chemical or foam fire extinguisher.

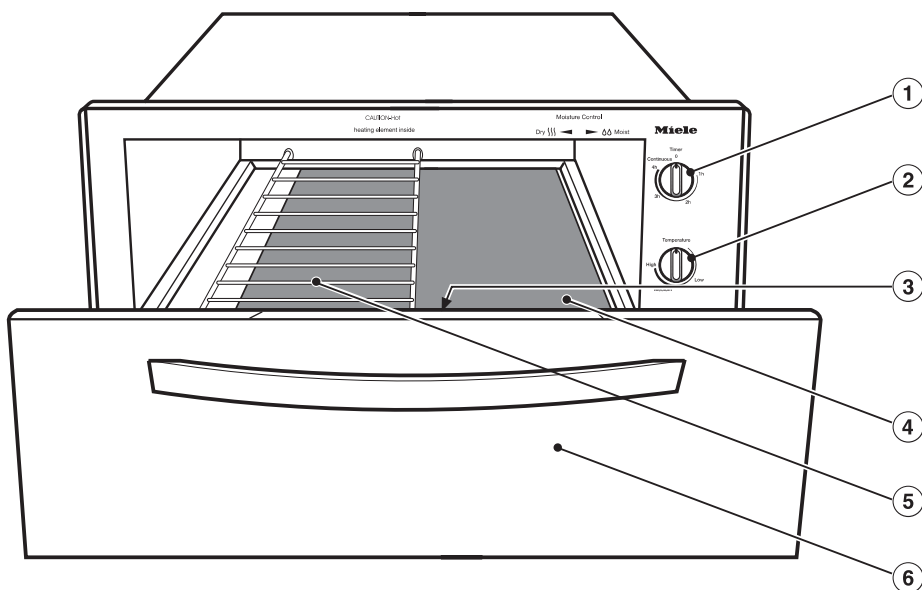
▶ Never add water to food in a hot drawer. The steam created could cause serious burns or scalds.

▶ Do not use the warming drawer to heat the room. Due to the high temperatures radiated, objects left near the appliance could be damaged.

▶ When using kitchen appliances near the warming drawer, make certain that the power cords do not come in contact with or get caught in the drawer.

▶ Do not install outdoors.

Guide to the warming drawer



- ① Timer
- ② Temperature selector
- ③ Humidity control
- ④ Non-slip mat
- ⑤ Rack
- ⑥ Drawer

The warming drawer is operated by the timer, the temperature selector, and the humidity control.

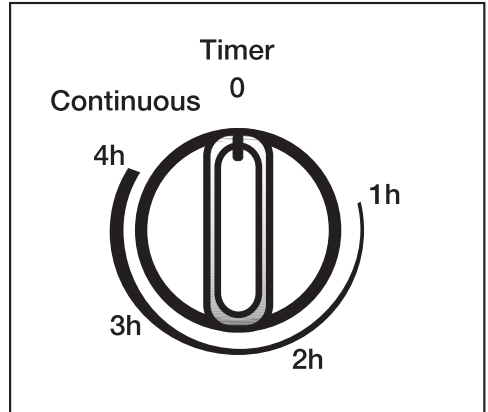
The controls are only visible when the drawer is open.

Once the warming drawer begins to heat the circulation fan will turn on to evenly heat the drawer. When the selected temperature is reached, the heat and the fan will shut off to prevent food from drying out.

If the temperature drops below the selected temperature, the heat will turn back on.

Timer

The timer activates the heating elements and circulation fan. To warm food the timer must be turned to an appropriate time setting. A time setting of 1 - 4 hours or "Continuous" can be selected.



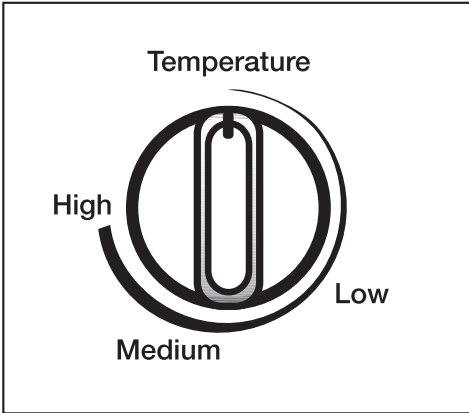
- **To set a limited time:**
Turn the timer clockwise from "0" to the desired time (up to 4 hours.)
- **To set an unlimited time:**
Turn the timer counterclockwise from "0" to "Continuous". The knob can not be turned past "4 h" to "Continuous".
- The warming drawer is turned off at the "0" setting.
- The "Continuous" setting will warm the drawer until the knob is turned to "0".

Please note, the "Continuous" setting requires close supervision to prevent fires. Forgotten food will dry out and could ignite. The appliance starts to heat once a duration is set.

Guide to the controls

Temperature selector

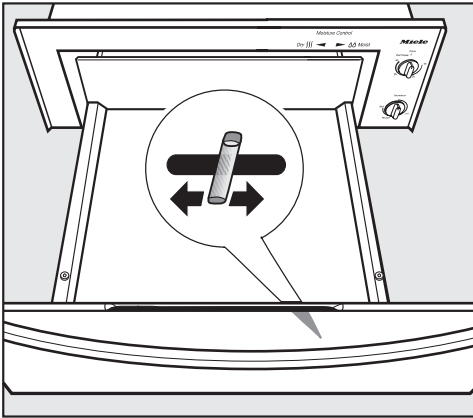
The temperature is infinitely variable between the basic setting (see illustration) and the "High" setting.



The temperature settings:

- Basic setting: 97°F (36 °C)
- Low: 140 °F (60 °C)
- Medium: 176 °F (80 °C)
- High: 203 °F (95 °C)

Humidity control



The humidity control adjusts the humidity within the drawer. The humidity control can be set anywhere between "Moist" and "Dry".

Use oven mitts when adjusting the humidity control. The control may become hot during use.

- **"Moist"**: This position closes the vents and seals the moisture in the drawer to keep food moist and soft. Condensation may occur around the inside edge of the drawer.
- **"Dry"**: This position opens the vents for maximum airflow to keep food crisp. This setting is ideal for keeping both dry and liquid foods warm, e.g. soup and bread. Cover liquids to prevent evaporation. In this setting moisture may collect on surfaces above the warming drawer.
- **"Center"**: This position is between "Moist" and "Dry" and partially opens the vents to keep food warm and slightly moist, e.g. pizza.

Guide to the controls

Temperature and Humidity Suggestions

Food	Temperature	Humidity control	Covered ¹ / Uncovered
Bacon ²	Medium	Dry	Uncovered
Beef Medium / Well	Medium	Moist	Covered
Beef Rare	Low	Moist	Covered
Bread hard roles	Medium	Dry	Uncovered
Bread soft rolls	Medium	Moist	Covered
Bread proofing	Basic setting	Moist	Damp Towel
Casserole, crisp top ²	Medium	Center	Uncovered
Casserole, moist	High	Moist	Covered
Eggs	Medium	Moist	Covered
Fish / Seafood	Medium	Moist	Covered
Fish sticks ²	High	Dry	Uncovered
Fried foods ²	High	Center	Uncovered
Fruit	Medium	Moist	Covered
Gravy, cream sauces	Medium	Moist	Covered
Ham	Medium	Moist	Covered
Lamb	Medium	Moist	Covered
Oatmeal	Medium	Moist	Uncovered
Pancakes	High	Moist	Covered
Pies - Single Crust	Medium	Moist	Uncovered
Pies - Double Crust	Medium	Dry	Uncovered
Pizza	High	Center	Covered
Pork	Medium	Moist	Covered
Potatoes - baked	High	Center	Damp towel
Potatoes - mashed	Medium	Moist	Covered
Poultry	High	Moist	Uncovered
Rice	Medium	Moist	Covered
Serving dishes	Low	Moist	Uncovered
Vegetables	High	Moist	Covered

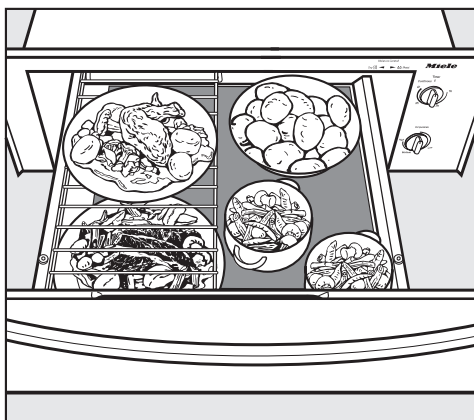
¹ Cover the food with aluminum foil or a lid.

² Do not cover crispy foods.

Loading the warming drawer

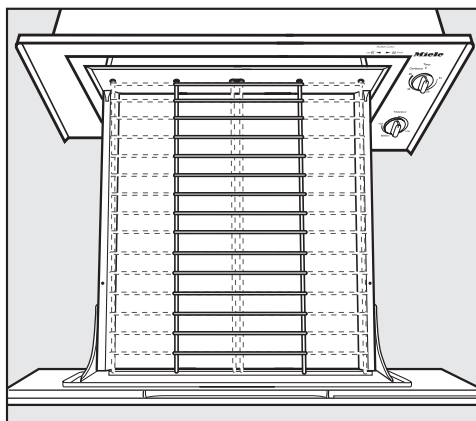
The drawer load will depend on the type and size of your dishes.

The maximum load is 33 lbs (15 kg).
Do not rest heavy items on the drawer.



Use the supplied rack to increase the load space.

The rack can be inserted in three positions: middle, left or right.



- Insert the rack into the slots of the rear wall in the drawer and then slide the front of the rack into position.

Additional racks are available for purchase from Miele.

Loading the warming drawer

Tips

- To keep different foods hot, set the temperature for the food requiring the highest temperature setting. Place the food needing the highest setting on the rack and the other food on the floor of the drawer.
- For large quantities of food, it may be necessary to use a higher temperature and humidity level.
- When warming food and dishes at the same time, place the dishes on the floor of the drawer and the food on the rack.
- Food in heat resistant glass and ceramic containers may require higher temperatures than food in metal dishes.
- Allow extra time for the temperature to adjust after adding or checking on food or dishes.
- Do not block the vents on the inside of the drawer. This will prevent food and dishes from warming evenly.

Please note: Be careful not to place food too close to the upper heating element. Increased temperature and proximity may cause a fire!

Using the warming drawer

Keeping food warm

For best results, preheat the warming drawer before warming food.

- Open the drawer.
- Turn the timer to the desired time setting.
- Turn the temperature selector to the desired temperature setting.
- Slide the humidity control to the desired humidity level. Use the "Moist" setting when preheating.
- Close the drawer.

Preheating times:

- "Low": 6 minutes
 - "Medium": 10 minutes
 - "High": 14 minutes
- Once the preheating time has elapsed, place the **hot** food in the warming drawer.

Never place food directly on the non-slip mat or the racks. Always warm food on a dish.

Do not add water to food or place a container with water in the warming drawer. Additional water will make food soggy and may cause machine damage.

Take care when opening and closing the loaded drawer to prevent spills.

- If necessary adjust the settings.

- Close the drawer.

Keep the drawer closed while in use to prevent food from drying out. Remember, food may continue to cook while being warmed in the drawer.

- The warming drawer can be turned off at any time by turning the timer to the "0" setting.

When warming is complete keep the drawer open for a few minutes to allow the humidity to evaporate.

Using the warming drawer

Warming dishes

The warming drawer can also be used to warm dishes. Do not preheat the drawer before warming dishes.

Only use heat resistant dishes.

- Open the drawer.
- Place the dishes in the drawer.

Arrange dishes evenly in the drawer and on the rack. Limit stacks to 2 plates for better warming.

- Turn the timer to 30 minutes (halfway to "1 h").
- Turn the temperature selector to:
 - "Low" if dishes are on the rack or are light weight.
 - "High" if dishes are on the floor of the drawer or are heavy or thick.
- Slide the humidity control to "Moist".
- Close the drawer.
- After 30 minutes the drawer will shut off.


Caution, dishes may be hot!

- Carefully remove dishes using oven mitts.

Food and dishes can also be warmed simultaneously.

Keep in mind that the temperature setting to keep food warm may be higher than the temperature required to warm dishes.

When warming food and dishes at the same time, place the dishes on the floor of the drawer and the food on the rack.

 **CAUTION:** Before servicing, disconnect the power supply by either removing the fuse, shutting off the power main or manually "tripping" the circuit breaker.

Do not clean or remove the warming drawer until it has cooled.
Danger of burns!

Appliance front and control panel

- All external surfaces and controls can be cleaned with warm water and liquid dish soap applied with a sponge.
- Wipe dry using a soft cloth.

Glass

Glass surfaces can be cleaned with a glass cleaner.

Stainless steel

Stainless steel surfaces can be cleaned using a non-abrasive stainless steel cleaner.

Avoid the following on all surfaces:

- abrasive cleaning agents, e.g. powder or cream cleansers,
- abrasive sponges, e.g. pot scourers or sponges that were used with abrasive cleaning agents, and
- oven sprays.

Warming drawer care

Drawer

- Remove the non-slip mat.
- Clean all surfaces of the drawer with a solution of warm water and liquid dish soap.
- Wipe dry with a soft cloth.

Non-slip mat

- Clean the non-slip mat by hand with warm water and liquid dish soap.
- Only put the non-slip mat back in the drawer when it is completely dry.

Rack

- Clean the rack with warm water and liquid dish soap or a non-abrasive stainless steel cleaner.

Frequently asked questions

⚠ Repairs should only be carried out by a qualified and trained person in accordance with local and national safety regulations. Unauthorized repairs could cause an injury or machine damage. Some minor problems can be fixed without a service call.

What if the drawer does not heat?

Possible fault	Fix
There is no power to the warming drawer.	Insert the plug into the outlet.
The circuit breaker has tripped.	Reset the circuit breaker.
The timer is set to "0" or a temperature was not selected.	Turn the timer to a time and/or temperature setting.

What if the food is not warm enough?

Adjust the temperature setting. Check that the vents have not been blocked by large plates or dishes.

What if the food or dishes are too hot?

Check the temperature setting and make sure the food is not too close to the heating element.

What if the food is extremely dry or moist?

Adjust the humidity control setting.

What if the dishes are not warm enough?

Possible fault	Fix
The wrong temperature was selected.	Check the temperature setting.
The vents were blocked by dishes.	Reload the dishes.
The dishes need more time to warm.	Increase the timer setting.

Why is a noise heard during use?

This is not a fault. This is the circulation fan which distributes the heated air. The fan should shut off automatically after 30 minutes of use.

Technical Service

In the event of a fault which you cannot easily fix yourself, please contact the Miele Technical Service Department at the address on the back of this booklet.

When contacting Technical Service please quote the serial number and model of the warming drawer.

MieleCare

(only USA)

MieleCare, our Extended Service Contract program, gives you the assurance of knowing that your appliance investment is covered by 5 years of worry free ownership.

MieleCare is the only Extended Service Contract in the industry that guarantees repairs by a Miele Authorized Service Provider using genuine Miele parts. Only genuine Miele parts installed by factory trained professionals can guarantee the safety, reliability, and longevity of your Miele appliance.

Please note that unless expressly approved in writing by Miele's Service department, Extended Service Contracts offered by other providers for Miele products will not be recognized by Miele. Our goal is to prevent unauthorized (and untrained) service personnel from working on your Miele products, possibly doing further damage to them, you and/or your home.

To learn more about **MieleCare** Extended Service Contracts, please contact your appliance dealer or visit us online at:

www.store.miele.com



Installation Instructions

Help protect our environment

Disposal of the packing materials


The cardboard box and packing materials protect the appliance during shipping. They have been designed to be biodegradable and recyclable.

Ensure that any plastic wrappings, bags, etc. are disposed of safely and kept out of the reach of children.
Danger of suffocation!

Disposal of an old appliance

Old appliances may contain materials that can be recycled. Please contact your local recycling authority about the possibility of recycling these materials.

Ensure that the appliance presents no danger to children while being stored for disposal. Before discarding an old appliance, unplug it from the outlet and cut off its power cord. Remove any doors to prevent trapping hazards.

 **CAUTION:** Before servicing, disconnect the power supply by either removing the fuse, shutting off the power main or manually "tripping" the circuit breaker.

Installation work and repairs should only be performed by a qualified technician in accordance with all applicable codes and standards. Repairs and service by unqualified persons could be dangerous and the manufacturer will not be held responsible.

Before connecting the appliance to the power supply, make sure that the voltage and frequency listed on the data plate correspond with the household electrical supply. This data must correspond to prevent machine damage. Consult an electrician if in doubt.

Only operate the warming drawer after it has been installed into the countertop.

Power supply

This appliance is equipped with a 5 ft (1.5 m) long power cord with a three-prong grounding plug ready for connection to a 120 V, 15 A, 60 Hz power supply.

Further installation details are on the wiring diagram.

Installer:
Please leave these instructions with the consumer.

Installation

Installation tips

- The warming drawer should be placed at a convenient height for easy access.
- The drawer should be installed clear of drafts caused by open doors and windows.
- Proper clearance must be allowed for the warming drawer to open without interference.
- The warming drawer must be secured to cabinetry to prevent the drawer from tipping when loaded.
- The warming drawer should be level to prevent the drawer from sliding open or closing on its own. The drawer cannot be leveled after it has been installed. If necessary install a shelf within the cabinetry to support the drawer.

Steam from the vents can damage the cabinetry surrounding the warming drawer.

Solo Installation:

A minimum gap of 2" (5 cm) must be present between the upper edge of the warming drawer and the cabinetry.

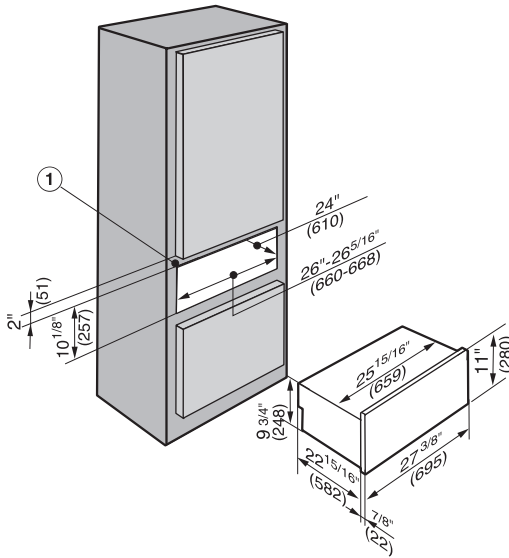
Installation in combination with an oven:

A minimum gap of 1" (2.5 cm) must be present between the upper edge of the warming drawer and the oven.

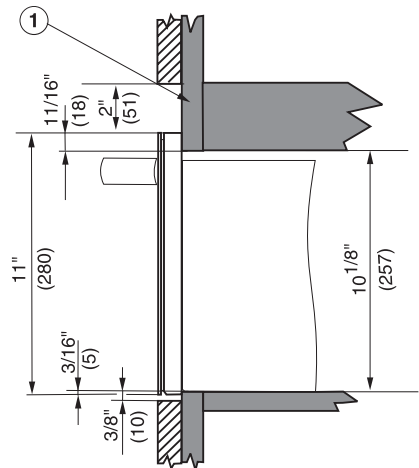
This gap should be sealed with a moisture resistant sealing material.

Dimensions for Solo Installation

ESW 4711 / ESW 4721

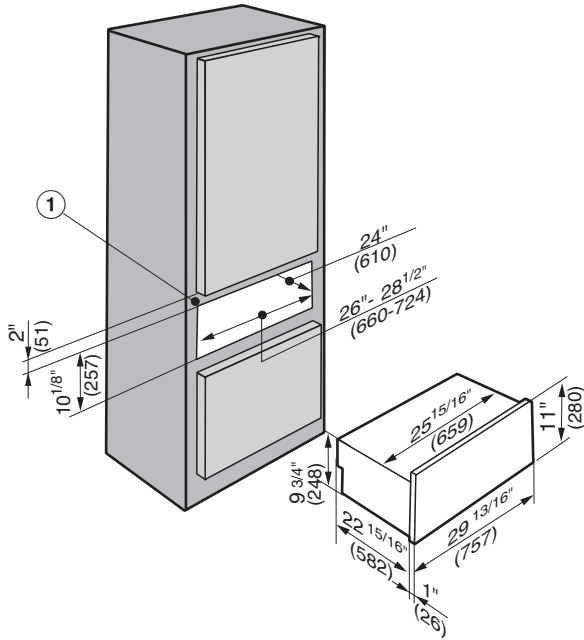


① Material must be moisture resistant

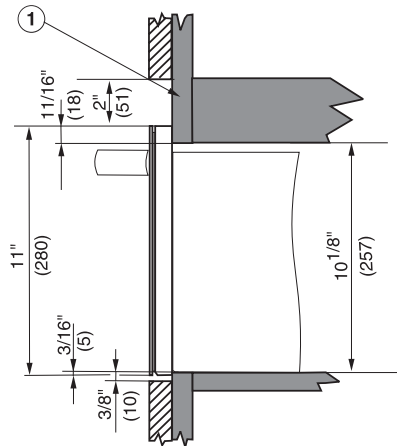


Installation

ESW 4811 / ESW 4821

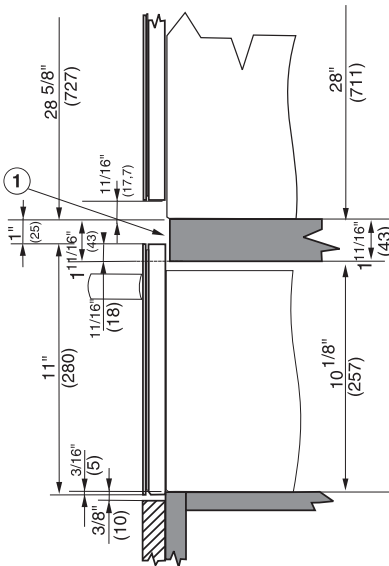
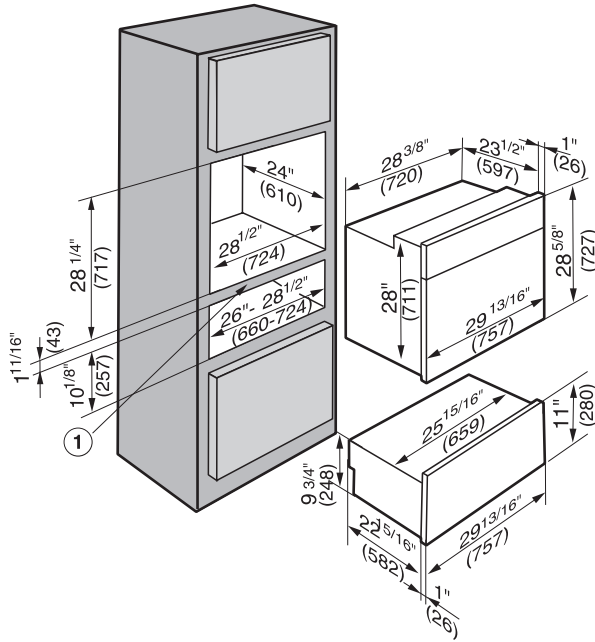


① Material must be moisture resistant



Installation

ESW 4811 / ESW 4821

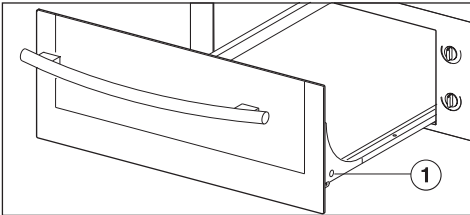


① Material must be moisture resistant

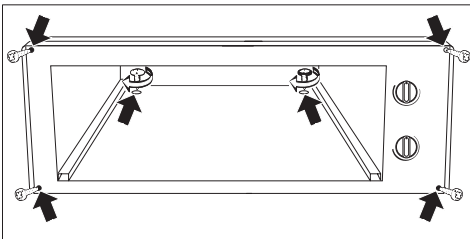
Installing the warming drawer

- Remove the drawer from the casing before installing the appliance into the cabinetry.

Removing the drawer



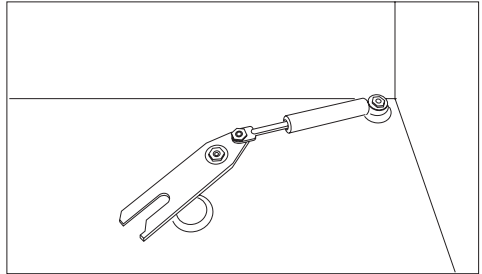
- Pull the drawer out and loosen the nuts on the left and right ① sides.
- Carefully lift the drawer and pull it slowly out. Set the drawer down on a flat, stable surface.
- Push the casing in the cabinetry.



- Secure the casing in the cabinetry with the six screws.

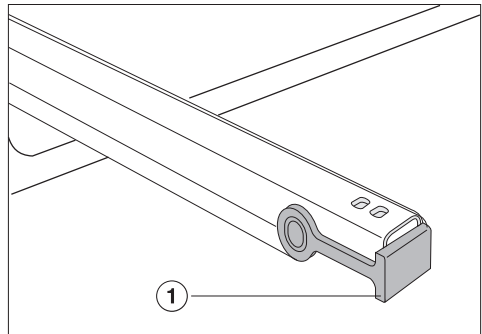
Inserting the drawer

Be sure when inserting the drawer that the lever is in the correct position.



- Pull out the telescopic skis from the casing.

Be sure the plastic inserts ① are positioned correctly.



- Set the drawer on the telescopic skis and secure with the two screws.

Installation

Integrated installations

Models 4701 FB and 4801 FB

Custom made front panels can be installed with models 4701 FB and 4801 FB.

Panel dimensions

4701 FB

Width 27 ³/₈" (695 mm)

Height 11" (279 mm)

4801 FB

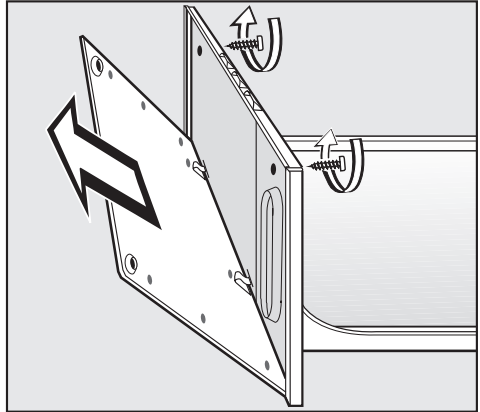
Width 29 ¹³/₁₆" (757mm)

Height 11" (279 mm)

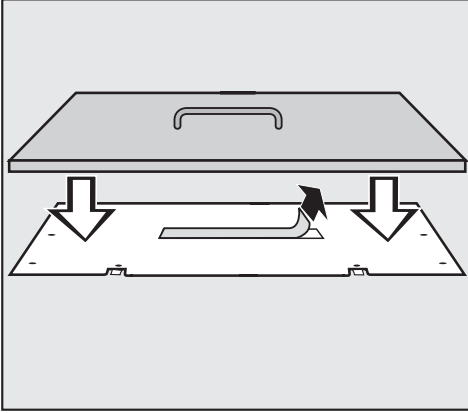
The custom panel must be at least ³/₈" (10 mm) thick and made of heat resistant material 140 °F (60 °C).

- ① Install a handle to the custom front panel using counter sunk screws.
- ② Remove the drawer from the casing. See "Removing the drawer".

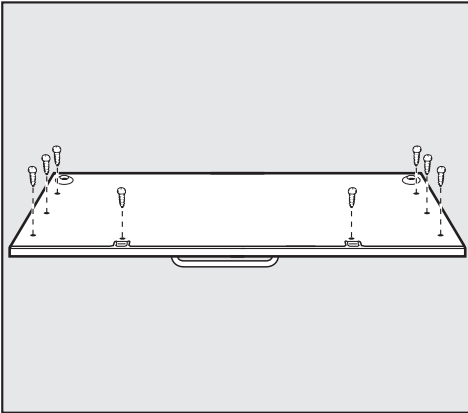
The panel attached to the warming drawer front can be used as the drilling template for the custom panel.



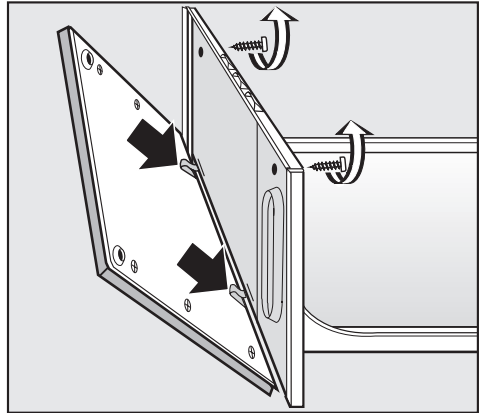
- ③ Loosen the two screws on the inner side of the drawer and remove the panel from the appliance front.
- ④ Place the panel on a firm surface with the adhesive tape facing up. Peel the backing from the adhesive tape.
- ⑤ Position the custom panel over the removed panel using the tape to hold it in place.



- ⑥ Press the custom panel tightly onto the removed panel.



- ⑦ Screw the removed panel to the custom panel with the eight screws.



- ⑧ Hook the panels into the bottom on and secure at the top with two screws making sure the seal is seated correctly.

**Please have the model and serial number
of your appliance available before
contacting Technical Service.**

The Miele logo is displayed in a bold, white, serif font against a solid black rectangular background.

**U.S.A.
Miele, Inc.**

National Headquarters

9 Independence Way
Princeton, NJ 08540
Phone: 800-843-7231
609-419-9898
Fax: 609-419-4298
www.miele.com

**Technical Service & Support
Nationwide**

Phone: 800-999-1360
Fax: 888-586-8056
TechnicalService@mieleusa.com

**Canada
Miele Limited**

Headquarters and Showroom

161 Four Valley Drive
Vaughan, ON L4K 4V8
Phone: 800-643-5381
905-660-9936
Fax: 905-532-2290
www.miele.ca
info@miele.ca (general enquiries)
professional@miele.ca (commercial enquiries)

MieleCare National Service

Phone: 800-565-6435
905-532-2272

Free Manuals Download Website

<http://myh66.com>

<http://usermanuals.us>

<http://www.somanuals.com>

<http://www.4manuals.cc>

<http://www.manual-lib.com>

<http://www.404manual.com>

<http://www.luxmanual.com>

<http://aubethermostatmanual.com>

Golf course search by state

<http://golfingnear.com>

Email search by domain

<http://emailbydomain.com>

Auto manuals search

<http://auto.somanuals.com>

TV manuals search

<http://tv.somanuals.com>