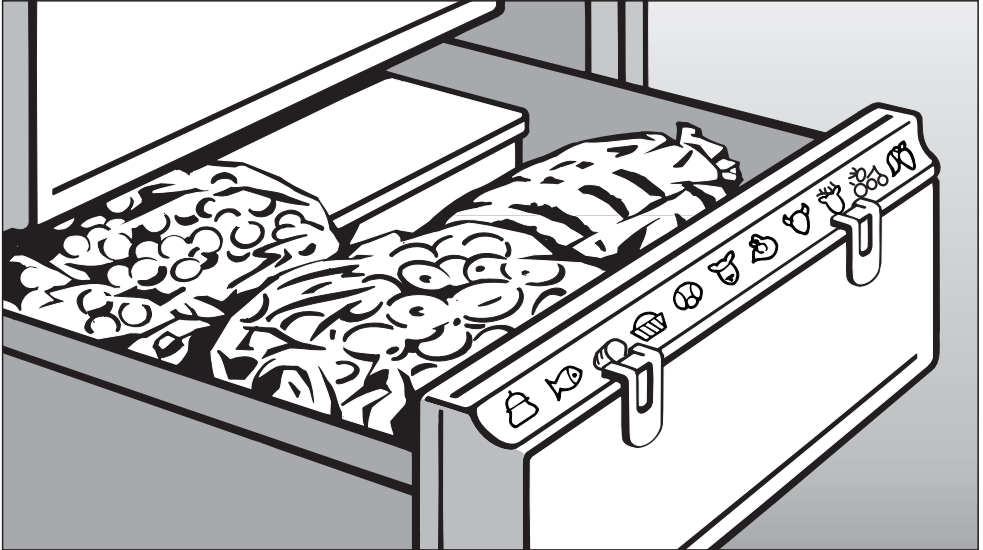


## Operating and installation instructions



### Freezer

F 623 Ui-2

F 623 Ui-3

To avoid the risk of accidents or damage to the appliance, it is **essential** to read these operating instructions before it is installed or used for the first time.

en - GB

M.-Nr. 06 813 391

# Contents

---

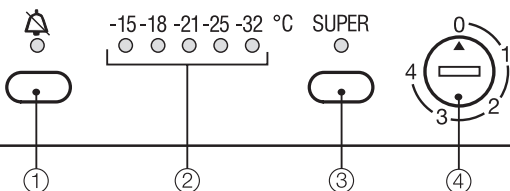
<b>Description of the appliance</b> . . . . .	4
<b>Caring for the environment</b> . . . . .	5
<b>Warning and Safety instructions</b> . . . . .	6
<b>How to save energy</b> . . . . .	11
<b>Operation</b> . . . . .	12
Switching off for longer periods of time . . . . .	12
<b>The correct temperature</b> . . . . .	14
Setting the temperature . . . . .	14
Temperature display . . . . .	15
<b>Alarm</b> . . . . .	16
Activating the alarm system. . . . .	16
Switching the alarm off early . . . . .	16
<b>Super freeze</b> . . . . .	17
Super freeze . . . . .	17
<b>Freezing and storing food</b> . . . . .	18
Maximum freezing capacity. . . . .	18
Freezing fresh food . . . . .	18
Storing frozen food . . . . .	18
Home freezing . . . . .	19
Hints on home freezing. . . . .	19
Packing. . . . .	19
Before placing food in the freezer . . . . .	20
Placing food in the freezer . . . . .	20
Freezing large items . . . . .	20
Freezer calendar . . . . .	20
Marker system for frozen food . . . . .	21
Defrosting . . . . .	21
Ice cube tray . . . . .	22
Cooling drinks . . . . .	22
<b>Defrosting</b> . . . . .	23
<b>Cleaning and care</b> . . . . .	25
Cleaning the interior and accessories . . . . .	25
Ventilation gaps . . . . .	25
Door seal . . . . .	25
<b>Problem solving guide</b> . . . . .	26

# Contents

---

<b>Noises</b> .....	28
<b>After Sales / Guarantee</b> .....	29
<b>Electrical connection</b> .....	30
<b>Installation</b> .....	31
Location .....	31
Climate range .....	31
Building in "side-by-side" .....	31
Ventilation .....	31
Before installation .....	31
<b>Building in dimensions</b> .....	32
<b>Changing the door hinging</b> .....	33
<b>Installing the appliance</b> .....	35
Building under .....	35
Adjusting the plinth depth .....	35
Fitting a furniture door .....	36
Securing the appliance .....	38

# Description of the appliance

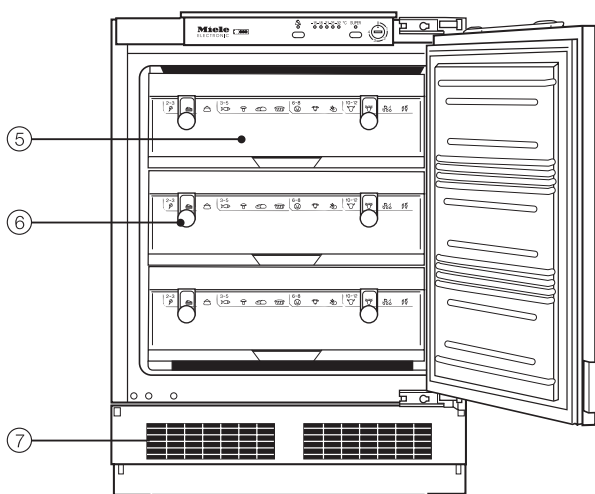


① Alarm button and indicator light

② Temperature display

③ Super freeze button and indicator light

④ On/off and temperature selector dial



⑤ Drawer with freezer calendar

⑥ Marker system for frozen food

⑦ Ventilation gaps

## Disposal of the packing material

The transport and protective packing has been selected from materials which are environmentally friendly for disposal, and can normally be recycled.

Ensure that any plastic wrappings, bags etc. are disposed of safely and kept out of the reach of babies and young children. Danger of suffocation!

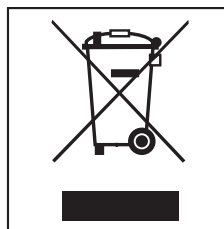
Rather than just throwing these materials away, please ensure that they are recycled.

## Disposal of your old appliance

Electrical and electronic appliances often contain materials which, if handled or disposed of incorrectly, could be potentially hazardous to human health and to the environment. They are, however, essential for the correct functioning of your appliance. Please do not therefore dispose of your old appliance with your household waste.

Please dispose of it at your local community waste collection / recycling centre or contact your dealer for advice. Ensure that it presents no danger to children while being stored for disposal.

It should be unplugged or disconnected from the mains electricity supply by a competent person.



Take care not to damage the pipework at the back of it before or during transportation to an authorised collection depot.

In this way, refrigerant in the pipework and oil in the compressor will be contained, and will not leak out into the environment.

# Warning and Safety instructions

---

This appliance complies with all relevant legal safety requirements. Improper use can, however, present a risk of both personal injury and material damage.

To avoid the risk of accidents and damage to the appliance, please read these instructions carefully before installation and before using it for the first time. They contain important notes on the installation, safety, operation and care of the appliance.

Keep these instructions in a safe place and pass them on to any future user.

## Correct application

► This appliance is intended for domestic use only, to store deep frozen food, freeze fresh food, and to make ice.

Any other usage is not supported by the manufacturer and could be dangerous. The manufacturer cannot be held liable for damage resulting from incorrect or improper use or operation.

► This appliance is not intended for use by persons (including children) with reduced physical, sensory or mental capabilities, or lack of experience and knowledge, unless they are supervised whilst using it, or have been given instruction concerning its use by a person responsible for their safety.

## Safety with children

► This appliance is not a toy! To avoid the risk or injury, do not allow children to play with it, for example to play with the controls, to climb inside the drawers or to swing on the door. Older children may only use the appliance when its operation has been clearly explained to them and they are able to use it safely, recognising the dangers of misuse.

► Keep children away from it at all times and supervise them whilst you are using it.

# Warning and Safety instructions

---

## Technical safety

► Before setting up the appliance, check it for any externally visible damage. Do not install and use a damaged appliance.

► If the connection cable is faulty it must only be replaced by a service technician authorised by the manufacturer to protect the user from danger.

► This appliance contains the coolant Isobutane (R600a), a natural gas which is environmentally friendly. Although it is flammable, it does not damage the ozone layer and does not increase the greenhouse effect. The use of this coolant has, however, led to a slight increase in the noise level of the appliance. In addition to the noise of the compressor, you might be able to hear the coolant flowing around the system. This is unavoidable, but does not have any adverse effect on the performance of the appliance. Care must be taken during the transportation and setting up of the appliance that no parts of the cooling system are damaged. Leaking coolant can damage the eyes.

In the event of any damage:

- avoid open fires and anything which creates a spark,
- disconnect from the mains,
- air the room in which the appliance is located for several minutes and
- contact the Service Department for advice.

► The more coolant there is in an appliance, the larger the room it should be installed in. In the event of a leakage, if the appliance is in a small room, there is the danger of combustible gases building up. For every 8 g of coolant at least 1 m<sup>3</sup> of room space is required. The amount of coolant in the appliance is stated on the data plate inside the appliance.

► Safe operation of the appliance is only assured if it has been installed and connected in accordance with these operating and installation instructions.

► Before connecting the appliance to the mains supply, make sure that the rating on the data plate corresponds to the voltage and frequency of the household supply. This data must correspond in order to avoid the risk of damage to the appliance. Consult a qualified electrician if in any doubt.

► Do not connect the appliance to the mains electricity supply by a multi-socket unit or an extension lead. These do not guarantee the required safety of the appliance (e.g. danger of overheating).

# Warning and Safety instructions

---

► The electrical safety of this appliance can only be guaranteed when continuity is complete between it and an effective earthing system which complies with current local and national safety regulations. It is most important that this basic safety requirement is present and tested regularly, and where there is any doubt, the household wiring system should be inspected by a qualified electrician. The manufacturer cannot be held liable for damage or injury caused by the lack of or inadequacy of an effective earthing system (e.g. electric shock).

► Installation, maintenance and repairs may only be carried out by a suitably qualified and competent person in strict accordance with current national and local safety regulations. Repairs and other work by unqualified persons could be dangerous. The manufacturer cannot be held liable for unauthorised work.

► While the appliance is under guarantee, repairs should only be undertaken by a service technician authorised by the manufacturer. Otherwise the guarantee will be invalidated.

► The appliance must be isolated from the electricity supply during installation, maintenance and repair work. The appliance is only completely isolated from the electricity supply when:

- it has been switched off at the wall socket and the plug has been withdrawn.
- the fuse from the fused spur connection unit has been withdrawn, or
- the mains fuse is withdrawn, or the screw-out fuse is removed (in countries where this is applicable).

► Faulty components must only be replaced by genuine Miele original spare parts. The manufacturer can only guarantee the safety of the appliance when Miele replacement parts are used.

► This equipment may only be used in mobile installations such as ships if a risk assessment of the installation has been carried out by a suitably qualified engineer.

► In countries where there are areas which may be subject to infestation by cockroaches or other vermin, pay particular attention to keeping the appliance and its surroundings in a clean condition at all times. Any damage which may be caused by cockroaches or other vermin will not be covered by the guarantee.



# Warning and Safety instructions

---

## Correct use

▶ Never handle frozen food with wet hands. Your hands may freeze to the frozen food.

▶ Do not take ice cubes out with your bare hands and never place ice cubes or ice lollies in your mouth straight from the freezer. The very low temperature of the frozen ice or lollies can cause frost burn to the lips and tongue.

▶ Do not refreeze thawed or partially thawed food.

Defrosted food should be used up as quickly as possible, as food soon loses its nutritional value and goes off.

Defrosted food may only be re-frozen after it has been cooked.

▶ Never store explosive materials in the appliance or any products containing propellants (e.g. spray cans). Thermostats switching on may produce sparks which could present a fire hazard. Flammable compounds could explode.

▶ Do not operate any electrical equipment (e.g. an electric ice-cream maker) inside the appliance. Danger of sparking and explosion.

▶ Do not store cans or bottles containing carbonated drinks or liquids which could freeze in the freezer. The cans or bottles could explode. Danger of injury and damage to the appliance.

▶ When cooling drinks quickly in the freezer, make sure bottles are not left in for more than one hour, otherwise they could burst, resulting in injury or damage.

▶ Observe the "use by" dates given on food to avoid the risk of food poisoning. Storage times will depend on several factors, including the freshness and quality of the food as well as the temperature at which it is stored. Follow the instructions given on food manufacturer's packaging on storage conditions required, as well as the "use by" date.

▶ Do not use sharp edged objects to

- remove frost and ice,
- separate frozen foods or remove ice trays.

They will damage the evaporator, causing irreversible damage to the appliance.

▶ Never place electric heaters or candles in the appliance to defrost it. These can damage the plastic parts.

▶ Do not use defrosting sprays or de-icers, as they might contain substances which could damage the plastic parts or which could cause a build-up of gases and pose a danger to health.

▶ Do not use any oils or grease on the door seal, as these will cause the seal to deteriorate and become porous with time.

# Warning and Safety instructions

---

▶ Do not block the ventilation gaps in the plinth or the top of the appliance housing unit as this would impair the efficiency of the appliance, increase the electricity consumption and could cause damage to the appliance.

▶ The appliance is designed for use within certain climate ranges (ambient temperatures), and should not be used outside this range. The climate range for your appliance is stated on the data plate inside the appliance. Installing it in a room with too low an ambient temperature, e.g. a garage, can lead to the appliance switching off for longer periods so that it cannot maintain the required temperature.

▶ Do not use a steam-cleaning appliance to defrost or clean this appliance. Pressurised steam could reach the electrical components and cause a short circuit.

## Disposal of your old freezer

▶ Before disposing of an old appliance, first make the door latch or lock unusable.

This way you will prevent children from accidentally locking themselves in and endangering their lives.

▶ Be careful not to damage any part of the pipework whilst awaiting disposal, e.g. by

- puncturing the refrigerant channels into the evaporator, e.g. by
- bending any pipework.
- scratching the surface coating.

Splashes of refrigerant can damage the eyes.

The manufacturer cannot be held liable for damage caused by non-compliance with these Warning and Safety instructions.

# How to save energy

	<b>Normal energy consumption</b>	<b>Increased energy consumption</b>
<b>Installation site</b>	In a ventilated room.	In an enclosed, unventilated room.
	Protected from direct sunlight.	In direct sunlight.
	Not situated near to a heat source (radiator, oven).	Situated near to a heat source (radiator, oven).
	Where the ideal ambient room temperature is approx. 20°C.	Where there is a high ambient room temperature.
<b>Temperature setting with a thermostat which is approximate (set in stages).</b>	With a medium setting of 2 to 3.	With a high setting: the lower the temperature in the compartment, the higher the energy consumption.
<b>Temperature setting with a thermostat which is exact to the degree (digital display).</b>	Cellar section 8 to 12°C	On appliances with winter setting, please make sure that the winter setting is switched off when the ambient temperature is warmer than 16 °C.
	Refrigerator section 4 to 5 °C	
	PerfectFresh zone just above 0 °C	
	Freezer section -18°C	
	Wine storage section 10 to 12 °C	
<b>Use</b>	Only open the doors when necessary and for as short a time as possible.	Frequent opening of the doors for long periods will cause a loss of coldness.
	Store food in an organised way.	If food is not stored in an organised way, searching for an item will mean the door is open for longer.
	Allow hot food and drinks to cool down before placing them in the appliance.	Placing hot food in the appliance will cause the compressor to run for a long time, as the appliance will have to work harder to lower the temperature.
	Store food covered or packaged.	The evaporation or condensation of liquids will cause a loss of coldness in the refrigerator.
	Place frozen food in the refrigerator to defrost.	
	Do not over-fill the appliance to allow air to circulate.	
<b>Defrosting</b>	Defrost the freezer compartment when a layer of ice 0.5 cm thick has built up.	A layer of ice hinders the cold from reaching the frozen food, and causes an increase in energy consumption.

# Operation

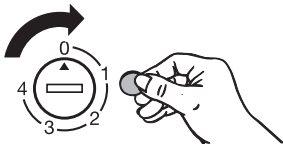
## Before using for the first time

- Clean the inside of the appliance and the accessories with luke warm water and a little washing-up liquid, and then dry with a soft cloth.

### Important:

To ensure the correct functioning of the appliance, let it stand for between 1½ and 2 hours after transporting it to its final location before connecting it to the mains.

## Switching on



- Using a coin turn the On/Off dial in a clockwise direction away from the "0" position.

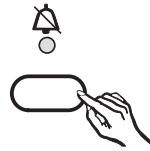
Forcing it beyond its range will damage it. Turn it only as far as it will go, then turn it back again.

The temperature display and the alarm button indicator will light up. An alarm will sound after a short while and the appliance will start cooling.

To enable the temperature to get sufficiently cold inside the freezer, allow the appliance to run for a few hours before placing food in it.

The higher the setting, the lower the temperature in the appliance.

## Switching off the alarm



- Press the alarm button.

The alarm will stop.

The alarm indicator will remain lit until the set temperature is reached.

## Switching off

- Using a coin, turn the On/Off dial in an anti-clockwise direction back to the "0" position.

All the indicator lights will go out and the cooling system will switch off.

## Switching off for longer periods of time

If the appliance is not going to be used for a longer period of time, e.g. whilst on holiday,

- switch the appliance off,
- switch off at the wall socket and withdraw the plug,
- defrost and clean the appliance out and
- leave the door ajar to air the appliance.

If, during a long absence, the appliance is switched off but not cleaned out and the door is left shut, there is a danger of mould and odours building up inside the appliance.

# The correct temperature

It is very important to set the correct temperature for storing food in the freezer. Micro-organisms will cause food which is not stored at the correct temperature to deteriorate rapidly. Temperature influences the growth rate of these micro-organisms. Reducing the temperature reduces their growth rate.

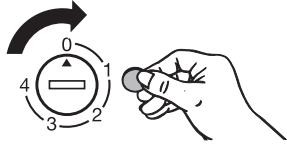
For freezing fresh food and storing frozen food for a long time a temperature of at least **-18 °C** is needed. At this temperature the growth of micro organisms is generally halted. As soon as the temperature rises to above -10 °C, the micro organisms become active in the food again so that it cannot be kept as long. For this reason partially defrosted or defrosted food must not be re-frozen. Food may be re-frozen once it has been cooked as the high temperatures achieved when cooking destroy most micro-organisms.

The temperature in the appliance will rise:

- the more often the door is opened and the longer it is kept open,
  - if too much food is stored in it at once,
  - if too much fresh food is being frozen at once,
  - the higher the ambient temperature surrounding the appliance.
- The appliance is designed for use in specific ambient temperatures (climate ranges). Do not use in ambient temperatures for which it is not designed.

## Setting the temperature

The temperature is set with the temperature dial.



- Using a coin turn the temperature dial in a clockwise direction to the required setting.

Forcing it beyond its range will damage it. Turn it only as far as it will go, then turn it back again.

The higher the setting, the lower the temperature in the appliance. In normal use, a setting between 2 and 3 is generally sufficient. You should also check the temperature inside the appliance from time to time.

## Temperature display

During normal operation the temperature display on the control panel shows the temperature in the warmest part of the appliance. Ranges of temperatures rather than individual temperatures are shown. This means that the temperatures displayed are approximate.

If you have adjusted the temperature dial in order to set a different temperature, **wait for approx. 6 hours if the freezer is not very full** and **for approx. 24 hours if the freezer is full** before checking the temperature display. It will take this long for the display to show the accurate temperature of the freezer. If the temperature displayed is too low or too high, then adjust the temperature once more.

A temperature above -18 °C is no cause for concern in the following circumstances:

- when the appliance has just been switched on,
- when the door has been left open for a while, e.g. for removing or storing a large amount of food,
- when fresh food is being frozen.

However, if the temperature remains above -18 °C for a long time, check that the frozen food has not started to defrost. If this is the case, check that the food is safe to use and if it is, then use it as soon as possible.

# Alarm

---

Your appliance has been fitted with a warning system which ensures that the temperature in the freezer cannot rise unnoticed. An alarm will sound and the alarm indicator light will flash if the temperature becomes too warm. The temperature dial determines the range of temperatures the appliance recognises as being too warm.

The alarm will sound and the alarm indicator light will flash,

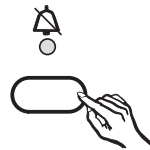
- when the freezer is switched on.
- if the freezer door has been left open for a while, e.g. in order to load, to re-arrange or to take food out.
- when freezing large amounts of food at once.
- if there has been a lengthy interruption to the power supply.

## Activating the alarm system

The alarm system is always active. It does not have to be switched on manually.

## Switching the alarm off early

Once the set temperature range has been reached in the freezer, the alarm switches off and the indicator light goes out. However, if the noise disturbs you, you can switch the alarm off before this if you wish.



- Press the alarm off button.

The alarm will stop. The indicator light will stay on and will not go out until the set temperature range has been reached. The alarm system is then ready should it be needed again.



## Super freeze

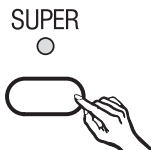
Switch the Super freeze function on before putting fresh food into the freezer.

### Super freeze is not necessary:

- when putting in food that is already frozen.
- when freezing up to 2 kg fresh food daily.

### Switching on Super freeze

When freezing small quantities of food in the freezer, the Super freeze function should be switched on **6 hours beforehand**. When freezing **the maximum load of food** the Super freeze function should be switched on **24 hours beforehand**.



- Press the Super freeze button. The Super freeze indicator light will come on.

The appliance works at full power to lower the temperature in the appliance.

## Switching off Super freeze

The Super freeze function will switch off automatically after approx. 65 hours. The indicator light will go out and the appliance will run at normal power again.

To save energy the Super freeze function can be switched off once a **constant** temperature of  $-18^{\circ}\text{C}$  or colder has been reached in the freezer.

- To switch it off, press the Super freeze button. The Super freeze indicator light will go out, and the appliance will continue to operate at normal power.

# Freezing and storing food

---

## Maximum freezing capacity

To ensure that fresh food placed in the freezer freezes through to the core as quickly as possible, the maximum freezing capacity must not be exceeded. The maximum freezing capacity for freezing within a 24-hour period is given on the data plate "Freezing capacity ....kg/24 hrs".

## Freezing fresh food

Fresh food should be frozen as quickly as possible. This way the nutritional value of the food, its vitamin content, appearance and taste are not impaired.

Food which takes a long time to freeze will lose more water from its cells, which then shrink.

During the defrosting process, only some of this water is reabsorbed by the cells; the rest collects around the food.

If food is frozen quickly, the cells have less time to lose moisture, so they shrink less. As there is not so much moisture loss, it is easier for the food to reabsorb it during the defrosting process, and very little water collects around the defrosted food.

## Storing frozen food

When buying frozen food to store in your freezer, check

- that the packaging is not damaged,
  - the use-by date,
  - the temperature at which the frozen food is being stored in the shop. The length of time it can be kept is reduced if it has been stored at a temperature warmer than -18 °C.
- Buy frozen food once you have finished the rest of your shopping, and wrap it in newspaper or use a cool bag or cool box to transport it.
  - Store it in the freezer as soon as possible.

Never re-freeze partially or fully defrosted food. Consume defrosted food as soon as possible as it will lose its nutritional value and spoil if left for too long. Defrosted food may only be re-frozen after it has been cooked.

## Home freezing

Only freeze fresh food which is in good condition.

### Hints on home freezing

- The following types of food **are suitable** for freezing:  
Fresh meat, poultry, game, fish, vegetables, herbs, fresh fruit, dairy products, pastry, leftovers, egg yolks, egg whites and a range of pre-cooked meals.
- The following types of food **are not suitable** for freezing:  
Grapes, lettuce, radishes, sour cream, mayonnaise, eggs in their shells, onions, whole raw apples and pears.
- To retain colour, taste and vitamin C, vegetables should be blanched after they have been trimmed and washed. To blanch: bring a large saucepan of water to the boil and immerse the vegetables in the fast boiling water for 2-3 minutes, depending on variety. Remove, and plunge into ice-cold water to cool quickly. Drain and pack ready for freezing.
- Lean meat freezes better than fatty meat, and can be stored for considerably longer.
- To prevent chops, steaks, cutlets or rolled meat from freezing together in solid blocks when packed, separate with a sheet of plastic freezer film.

- Do not season fresh foods or blanched vegetables before freezing. Only season cooked food lightly before freezing, but care should be taken as the taste of some spices alters when frozen.
- Do not place hot food or drinks in the freezer. This causes already frozen food to thaw and increases the energy consumption considerably. Allow hot food and drinks to cool down before placing them in the freezer.

### Packing

- Freeze food in portions.

#### Suitable packing material

- plastic freezer film
- freezer bags
- freezer containers
- aluminium foil

#### Unsuitable packing material

- wrapping paper
- grease-proof paper
- cellophane
- dustbin liners
- plastic carrier bags

- Expel as much air as possible from bags etc. before sealing them, to prevent freezer-burn on food.

- Close the packaging tightly with
  - rubber bands
  - plastic clips
  - string or bag ties
  - freezer tape.

Freezer bags may also be sealed using home heat-sealing kits.

# Freezing and storing food

---

- Make a note of the contents and the date of freezing on the packaging.

## Before placing food in the freezer

- When freezing more than 2 kg of fresh food, switch on the Super freeze function for some time before placing the food in the freezer (see "Super freeze").

## Placing food in the freezer

Fresh food can be placed in any drawer for freezing, however it is preferable to use the lower drawers. Large quantities can be placed directly on the glass cold plates to freeze the food quickly. To do this, first take out one or several freezer drawers.

Each drawer and glass cold plate can take a maximum of 25 kg.

- Place the food flat in the bottom of the drawers or on the glass cold plates so that it freezes through to the core as quickly as possible.
- Make sure that the packaging and containers are dry to prevent them sticking together when frozen.

When freezing, make sure that food already frozen does not come into contact with fresh food being frozen as this could cause the frozen food to begin to defrost.

## Freezing large items

To freeze a large item such as a turkey or joint of meat, the freezer drawers and the glass cold plates between them can be removed. To do this:

- Remove the freezer drawers and carefully slide out the glass cold plates.

## Freezer calendar

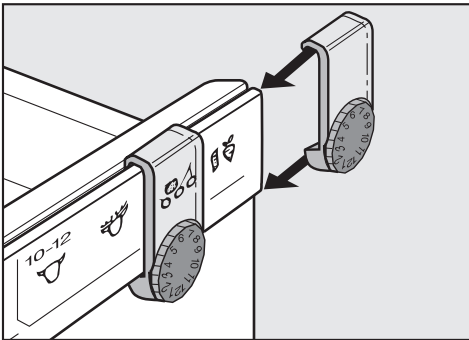
The freezer calendar on the freezer drawer gives the length of time which various foods can be stored for effectively.

Where the storage time given on the packaging differs, follow the advice on the packaging.

## Marker system for frozen food

The marker system serves as a reminder of how long food has been stored.

Each freezer drawer has two slide markers with dials. The months are represented on the dials as 1 – 12.



- Slide the markers onto the guide runners on the edge of the drawers.

Use the markers to indicate the type of food being frozen, and turn the dials to the appropriate number to show the month in which it was first placed in the freezer.

## Defrosting

Frozen food can be defrosted in different ways:

- in a microwave oven,
- in an oven using the "Fan" or "Defrost" setting,
- at room temperature,
- in the refrigerator,
- in a steam oven.

**Poultry** It is particularly important to observe food hygiene rules when defrosting poultry. Do not use the liquid from defrosted poultry. Pour it away and wash the container it was in, the sink and your hands. Danger of salmonella poisoning!

**Fruit** should be defrosted at room temperature in its packing, or in a covered bowl.

**Most vegetables** can be cooked while still frozen. Just put straight into boiling water or hot fat. The cooking time is slightly less than that of fresh vegetables.

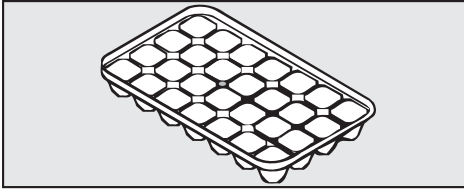
### Important

Never re-freeze partially or fully defrosted food. Consume defrosted food as soon as possible as it will lose its nutritional value and spoil if left for too long. Defrosted food may only be re-frozen after it has been cooked.

# Freezing and storing food

---

## Ice cube tray



- Fill the ice tray three quarters full with water, and place it on the bottom of one of the drawers.
- Once frozen, use a blunt instrument, for example a spoon handle, to remove the ice tray from the freezer.
- Ice cubes can be removed easily from the tray by twisting the tray gently or by holding it under cold running water for a short while.

## Cooling drinks

When cooling drinks quickly, make sure bottles are not left in the freezer for **more than one hour**, as they could burst.

In normal use ice and frost will form on the glass cold plates and drawer fronts. If allowed to accumulate, this will impair the efficiency of the freezer and increase the consumption of electricity.

Do not scrape ice and frost off as this can cause damage and render the freezer unusable.

The freezer should be defrosted from time to time. It must be defrosted if a layer of ice approx. 0,5 cm thick has accumulated. It is best to defrost when only very little food or no food at all is left in the freezer.

## Before defrosting

- Switch on the Super freeze function approx. 1 day before defrosting to ensure frozen food retains its cold reserve for longer when taken out of the freezer.
- Remove the frozen food from the freezer and place it in another freezer or cool box or wrap it in several layers of newspaper or cloths and store in a cool place until the freezer is ready for use again.
- Remove all the freezer drawers from the freezer.

## To defrost

Carry out the defrosting procedure as quickly as possible if food has not been placed in another freezer. The longer the food is left out at room temperature, the more it defrosts.

- Switch the freezer off by turning the On/Off dial to the "0" position, switch off at the socket and remove the plug.
- Open the freezer door.
- Use a sponge or towel to soak up the defrosted water.

To speed up defrosting, a bowl with hot water (not boiling) can be placed in the appliance and some warm water in the bottom drawer. Closing the door in this instance will help retain the warmth and speed up the defrosting process.

We do not recommend the use of hot air blowers such as hairdryers for defrosting your freezer.

Never place electric heaters or candles in the appliance to defrost it. These can damage the plastic parts.

Do not use defrosting sprays or de-icers, as they could contain substances which may damage the plastic parts and which may cause a build-up of gases and pose a danger to health.

# Defrosting

---

## After defrosting

- Clean the appliance, and then dry it thoroughly.
- Close the freezer door, insert the plug in the socket and switch the appliance back on.
- Switch on the Super freeze function so that the freezer can cool down quickly.  
The indicator light will come on.
- Once the temperature in the freezer is sufficiently low, place the food back in the freezer drawers and put them back in the freezer.
- Switch off Super freeze by pressing the Super freeze button when the temperature in the freezer is a constant  $-18\text{ }^{\circ}\text{C}$  or colder.  
The indicator light will go out.



Never use cleaning agents containing abrasive substances such as sand, soda, acids, chlorides or chemical solvents.

"Non-abrasive" cleaning agents are also unsuitable as they can cause matt areas to appear.

Make sure that water cannot get into the temperature selector.

Never use steam-cleaning apparatus to defrost or clean the appliance. Steam could reach the electrical components and cause a short circuit.

The data plate located inside the appliance must not be removed. It contains information which is required in the event of a service call.

- After cleaning, wipe the interior and accessories with a damp cloth, and dry with a soft cloth. Leave the door open to air the appliance for a short while.

## Ventilation gaps

- The ventilation gaps should be cleaned on a regular basis with a brush or vacuum cleaner. A build-up of dust will increase the energy consumption of the appliance.

## Door seal

Do not use any oils or grease on the door seal as these will cause the seal to deteriorate and become porous over time.

The door seals should be cleaned regularly with clean water, and then wiped dry with a soft cloth.

## Before cleaning

- Switch the appliance off, switch off at the socket and remove the plug.
- Take any frozen food out of the appliance and store it in a cool place.
- Take out any removable parts, e.g. shelves, for cleaning.
- Defrost the freezer.

## Cleaning the interior and accessories

Use warm water with a little washing up liquid. Wash all accessories and drawers by hand only. Do not wash in a dishwasher.

## After cleaning

- Close the door and switch the appliance on.
- Switch on the Super freeze function so that the freezer can cool down quickly. The indicator light will come on.
- Once the temperature in the freezer is sufficiently low, place the food back in the freezer drawers and put them back in the freezer.
- You can switch the Super freeze function off once the temperature in the freezer has reached a constant temperature of at least  $-18^{\circ}\text{C}$ . The indicator light will then go out.

# Problem solving guide

---

Repairs to electrical appliances should only be carried out by a suitably qualified and competent person in strict accordance with current local and national safety regulations. Repairs and other work by unqualified persons could be dangerous. The manufacturer cannot be held liable for unauthorised work.

## What to do if . . .

### . . . the appliance does not get cool.

- Make sure that the temperature dial is not pointing to the "0" position.
- Check that the plug is correctly inserted in the socket and switched on.
- Check that the fuse is not defective and that the mains fuse has not blown. If it has, contact the Miele Service Department.

### . . . the door will not open because it has been opened and closed too many times in succession.

This is not a fault. The suction caused by opening and closing the door is preventing the door from opening. Wait a few minutes and then try again. It should now open without force.

### . . . the temperature is too low.

- Turn the temperature dial to a setting closer to "1".
- The Super freeze function has not been switched off. The indicator light is still on.

### . . . the appliance is switching in too frequently and for too long.

- Check whether the ventilation gaps in the plinth and in the housing unit at the top have been covered over or become too dusty.
- The door has been opened too frequently, or a large amount of fresh food has been put in at once for freezing.
- Check that the door has been closed properly.
- Check to see whether a thick layer of ice has built up. If it has, then the freezer will need defrosting.

### . . . the alarm sounds and the alarm indicator light flashes.

The temperature has risen above the setting on the temperature dial because

- the door has been opened too frequently, or large amounts of fresh food have been put in at once for freezing.
- there has been a lengthy interruption to the power supply.
- the ventilation gaps are blocked.

Once the problem has been resolved the alarm indicator light will go out and the alarm will stop.

### . . . the alarm indicator light and the -15 °C temperature display are both flashing at the same time.

There is a fault. Call the Service Department.

**. . . the Super freeze indicator light does not light up, even though the appliance is working.**

- The indicator light is defective. Call the Service Department.

**. . . food has frozen together.**

Use a blunt instrument, e.g. a spoon handle or plastic scraper, to prise it apart carefully.

**. . . a thick layer of ice has built up on the side walls of the freezer.**

- Check whether the door closes properly.
- Defrost and then clean the freezer.

Too thick a layer of ice reduces efficiency and increases energy consumption.

If you still cannot remedy the fault having followed these suggestions, please contact the Miele Service Department.

To prevent unnecessary loss of temperature it is advisable not to open the door while waiting for the appliance to be serviced.

# Noises

<b>Normal noises</b>	<b>What causes them</b>
<b>Brrrrr...</b>	Humming noise made by the motor (compressor). This noise can get louder for brief periods when the motor is switching on.
<b>Blubb, blubb....</b>	A gurgling noise can be heard when coolant is circulating through the pipes.
<b>Click....</b>	Clicking sounds are made when the thermostat switches the motor on and off.
<b>Sssrrrrr....</b>	On multi-zone and frost-free appliances you can sometimes just hear the movement of air circulating inside the appliance.

Remember that the noise of the compressor and the coolant circulating in the system is unavoidable.

<b>Noises that you can easily rectify</b>	<b>What causes them, and what can you do about them?</b>
<b>Rattling, vibrating</b>	<b>The appliance is uneven:</b> Realign the appliance using a spirit level, by raising or lowering the screw feet underneath the appliance.
	<b>The appliance is touching another appliance or piece of furniture:</b> Move it away.
	<b>Drawers, baskets or shelves are unstable or sticking:</b> Check all removable items and refit them correctly.
	<b>Are any bottles or containers unstable or knocking against each other?</b> Separate them.
	<b>The transport cable clips are hanging loose at the back of the appliance:</b> Remove the clips.

In the event of a fault which you cannot correct yourself, or if the appliance is under guarantee, please contact:

- your Miele Dealer or Chartered Agent
- or
- the Miele Service Department  
(see back cover for contact details).

When contacting your Dealer/Chartered Agent or Miele, please quote the model and serial number of your appliance. This information is given on the data plate inside your appliance.

Please note that telephone calls may be monitored and recorded for training purposes.

### **Guarantee**

For information on the appliance guarantee specific to your country please contact Miele. See back cover for contact details.

In the U.K. your appliance is guaranteed for 2 years from the date of delivery. However, you must activate your cover by calling 08706 080028 or registering online at [www.miele.co.uk](http://www.miele.co.uk).

# Electrical connection

---

## Electrical connection U.K.

All electrical work should be carried out by a suitably qualified and competent person in strict accordance with current local and national safety regulations (BS 7671 in the UK).

The appliance is supplied with a mains cable and moulded plug ready for connection to an a.c. single phase 220-240 V 50 Hz supply.

Please ensure that the connection data quoted on the data plate match the household mains supply.

Connection should be made via a suitable switched socket which is easily accessible. For extra safety it is advisable to install a suitable residual current device (RCD).

Do not connect the appliance to the mains electricity supply by an extension lead. Extension leads do not guarantee the required safety of the appliance (e.g. danger of overheating).

The appliance must not be connected to an inverter and must not be used with a plug adapter as these can cause damage to the appliance's electronic unit.

## Non-rewireable plugs (BS 1363)

The fuse cover must be re-fitted when changing the fuse, and if the fuse cover is lost, the plug must not be used until a suitable replacement is obtained. The colour of the correct replacement cover is that of the coloured insert in the base of the plug, or the colour that is embossed in words in the base of the plug (as applicable to the design of the plug fitted).

Replacement fuses should be ASTA approved to BS 1362 and have the correct rating. Replacement fuses and fuse covers may be purchased from your local electrical supplier.

**WARNING**  
**THIS APPLIANCE MUST BE**  
**EARTHED**

This appliance must be built in, otherwise it could tip up.

## Location

The appliance should be installed in a dry well ventilated room.

The room temperature should not go above or below the climate range for which the appliance is designed. The higher the ambient temperature of the room the more energy the appliance requires to operate. It should not be installed where it is exposed to direct sunlight or directly adjacent to a heat-producing appliance such as an oven or a radiator.

## Climate range

The appliance is designed for a particular climate range (ambient room temperature), and should not be used outside this range. The climate range of this appliance is stated on the data plate inside the appliance.

Climate range	Ambient room temperature
SN, N	to +32 °C
ST	to +38 °C
T	to +43 °C

The appliance will function perfectly down to a temperature of +5 °C.

## Building in "side-by-side"

If the freezer is to be built in next to a refrigerator ("side-by-side") **the freezer must always be on the right hand side of the refrigerator (as viewed from the front)**. The insulated heating element located in the left hand side wall of the freezer will prevent condensation forming between the appliances.

## Ventilation

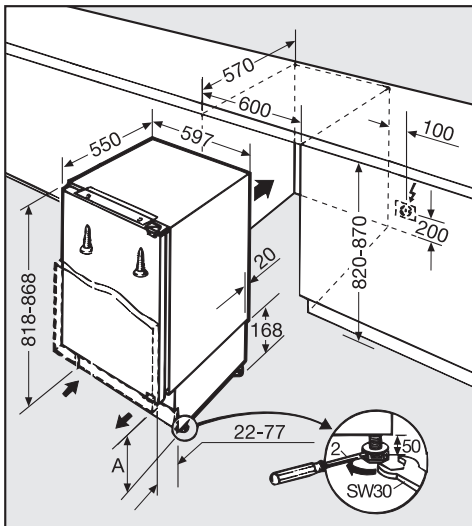
Air at the rear of the appliance gets warm. For the appliance to operate efficiently it is important that it is installed in such a way that air cannot flow around the appliance. There must be no gaps in the furniture housing. The niche must be sealed at the back with a kitchen furniture panel and the sides fitted flush with unit sides. The top of the appliance must be fitted close to the worktop. The hole for the plug and cable to pass through must be made as small as possible.

Ventilation into and out of the appliance is through the appliance plinth. It must not be covered or blocked in any way. Ventilation gaps should be dusted on a regular basis.

## Before installation

- Remove any cable clips from the rear of the appliance.
- Check that all parts at the rear of the appliance are unhindered.

# Building in dimensions



Plinth height **A** depends on the building under height:

With a **building under height of 820 mm** the plinth height will be between 100 – 170 mm.

Appliances in climate range ST or T require a minimum plinth height of 120 mm.

The plinth height is affected by the height of the furniture front panel on the appliance.

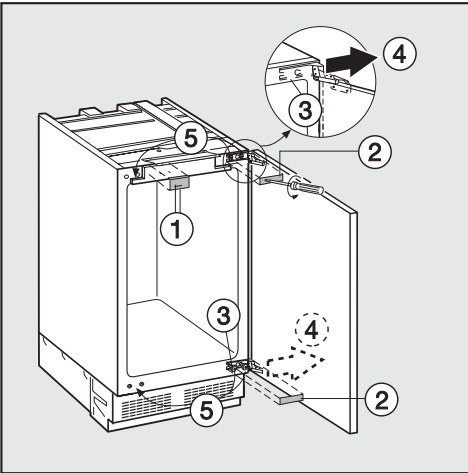
With a **building under height of 870 mm** the plinth height will be between 150 – 220 mm. The plinth height is affected by the height of the furniture front panel on the appliance and by the height of the adjustable appliance feet.



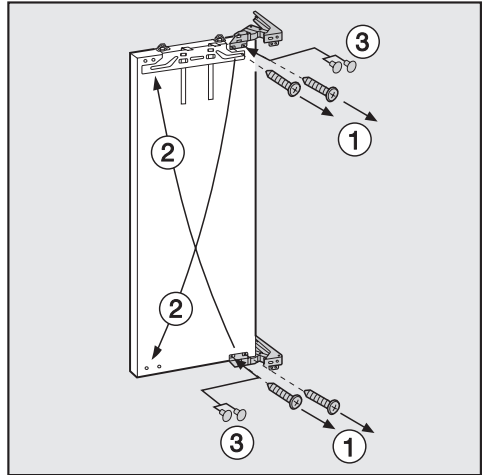
## Changing the door hinging

Before building the appliance in, you will need to decide on which side the door is to be hinged. If left hand door hinging is required follow the instructions below.

- Open the appliance door.



- Remove cover ① by hand, and remove cover ② using a screwdriver.
- Loosen fixing screws ③ slightly.
- Slide the door outwards to the right ④, and lift it off.
- Unscrew fixing screws ③ completely, and loosely screw them into the holes on the opposite side of the appliance ⑤.



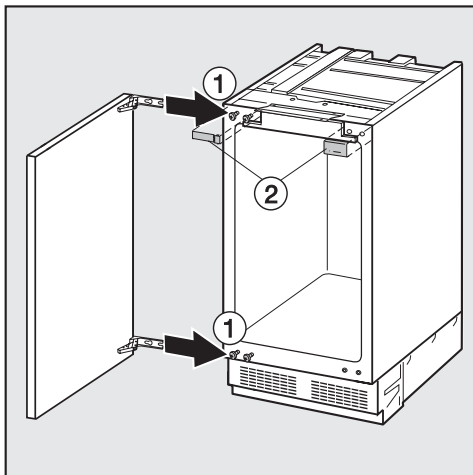
- Unscrew and remove screws ①.

**Do not** close up the hinges. Danger of injury.

- Replace the hinges in their diagonally opposite corners ②.
- Cover the holes using the plugs supplied ③.

## Changing the door hinging

---



- Fit the appliance door onto the previously fitted screws ①, and then tighten the screws.
- Refit the covers ②.

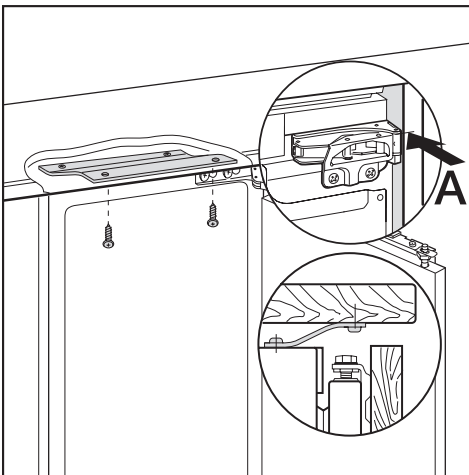
# Installing the appliance

## Building under

Where the **building under height is 820 mm** the appliance can be pushed straight into the niche. Align the appliance beforehand using the adjustable feet.

Where the **building under height is 870 mm** the adjustable feet will need to be extended by about 50 mm. Use an SW 30 spanner or screwdriver to do this. Then align the appliance.

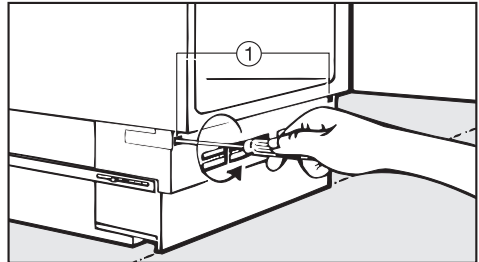
- Lay the power supply cable so that it can easily be connected to the electricity socket once the appliance has been built in.



- Push the appliance into the niche so that the front edges of the hinges are flush with the side walls of the neighbouring furniture housing units (A).
- Press the appliance against the wall on the hinge side.
- Loosely secure the appliance to the worktop through fixing bracket ①.

The appliance should be secured to the worktop only after the plinth depth has been adjusted and the furniture door has been fitted to the appliance.

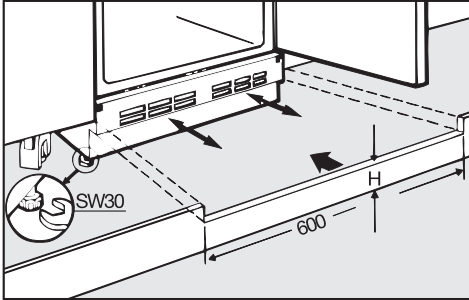
## Adjusting the plinth depth



- Loosen screws ① by turning them approx. 8 to 10 times.
- Align the plinth fascia to neighbouring furniture plinths.
- Then tighten screws ① in a clockwise direction until a resistance is felt.

# Installing the appliance

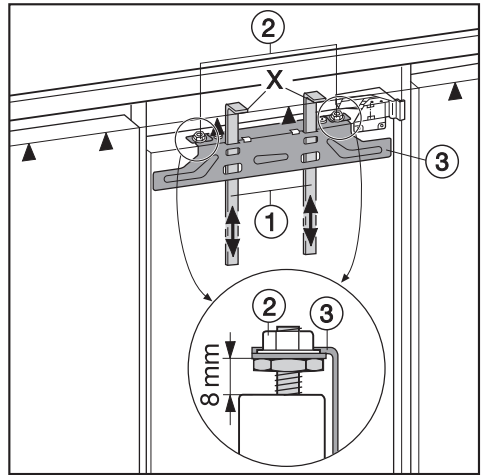
If there is a continuous plinth in the kitchen a ventilation gap will need to be made in the plinth for the appliance:



Building-under height [mm]	Dimension H [mm]
820	60+1
870	110+1

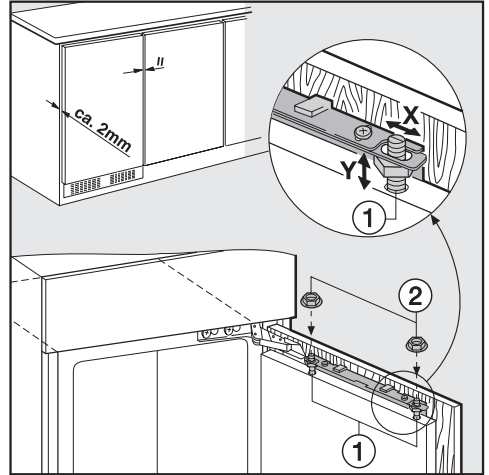
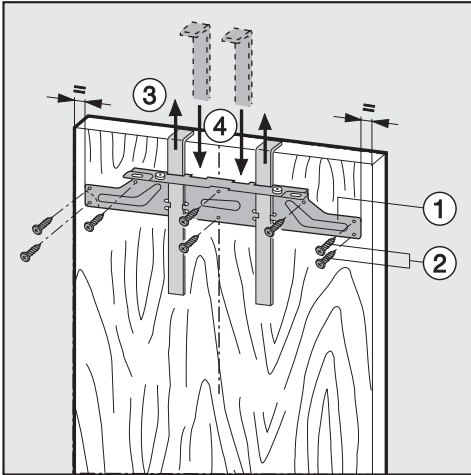
The ventilation gaps must not be covered over.

## Fitting a furniture door



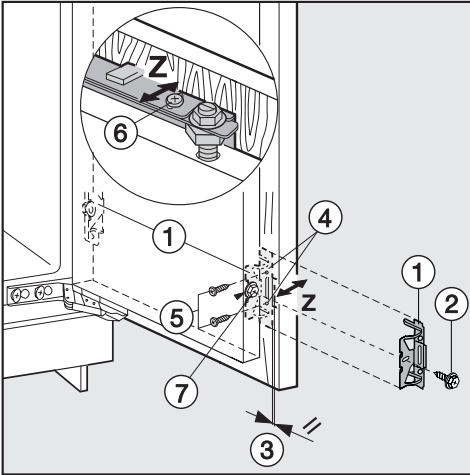
- A gap of 8 mm must be maintained between the appliance door and the fixing bracket.
- Push fitting aids ① up to the height of the furniture door: the lower edge X of the fitting aids must be at the same height as the upper edge of the furniture door being fitted, see ▲ on the diagram.
- Undo nuts ② and take fixing bracket ③ off together with the fitting aids.

## Installing the appliance



- Using a pencil mark a line down the centre of the inside of the furniture door.
- Hang the fixing bracket with the fitting aids ① onto the **inside side** of the furniture door. Align the fixing bracket centrally.
- Attach the fixing bracket securely using at least 6 short 4 x 14 mm chip board screws ②. (On cassette doors only use 4 screws on the edges).
- Pull the fitting aids upwards to remove them ③.
- Turn them round and insert them right into the middle slots on fixing bracket ④.
- Hang the furniture door onto adjusting bolts ①.
- Loosely attach the nuts ② on the adjusting bolts.
- Close the door and check the distance between the door and neighbouring furniture doors.
- Align to match neighbouring doors if necessary:  
Side adjustments X are made by sliding the furniture door, and height adjustments Y by turning the adjusting bolts ① with a screwdriver.
- Tighten the nuts ② slightly.

# Installing the appliance

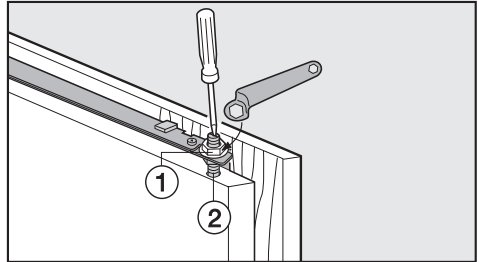


## ■ Securing the appliance door to the furniture door:

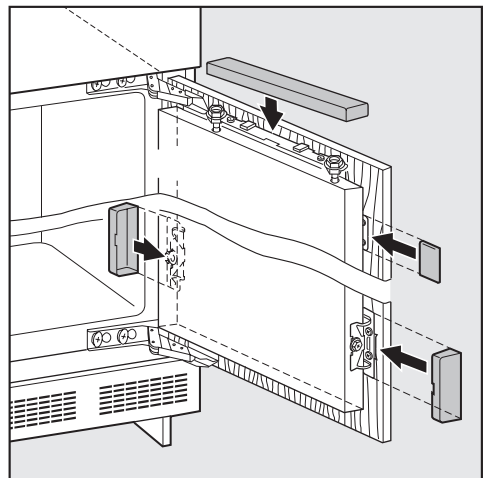
- Secure bracket ① to the appliance door by screwing hexagon headed screw ② through the pre-drilled holes in the appliance door.
- Check that the two metal edges ③ are flush (see symbol //).
- Drill fixing holes ④ and screw in the short 4 x 14 mm chip board screws ⑤.
- Align depth Z on the furniture door: Loosen screws ⑥ at the top of the appliance door and loosen the hexagon headed screw ⑦ at the bottom of the fixing bracket. By moving the furniture door, create a gap of 2 mm between the furniture door and the front edge of the niche. Close the door and align it with neighbouring furniture doors.

- (On large or divided doors attach a second pair of fixing brackets ① in the handle region of the door. Use the pre-drilled holes in the appliance door.)

## Securing the appliance



- Whilst counterholding the adjusting bolts ② with a screwdriver, tighten nuts ① at the top of the appliance door.
- Tighten all screws.



- Place all covers in position.





## United Kingdom

Miele Co. Ltd.  
Fairacres, Marcham Road  
Abingdon, Oxon, OX14 1TW  
Tel: (01235) 554455  
Fax: (01235) 554477  
Customer Contact Centre Tel: (08707) 554466  
E-mail: [info@miele.co.uk](mailto:info@miele.co.uk)  
Internet: [www.miele.co.uk](http://www.miele.co.uk)

## Australia

Miele Australia Pty. Ltd.  
A.C.N. 005635398  
1 Gilbert Park Drive, Knoxfield, VIC 3180  
Tel: (03) 9764 7130  
Fax: (03) 9764 7149  
Internet: [www.miele.com.au](http://www.miele.com.au)

## China

Miele Shanghai Rep. Office  
Room 4105 - 6, 41 Floor  
Plaza 66, 1266 Nan-Jing Road/ West  
Shanghai 200040  
Tel: +86 21 6288 4200  
Fax: +86 21 6288 4100  
E-mail: [mieleshanghai@cn.miele.com](mailto:mieleshanghai@cn.miele.com)  
Internet: [www.miele.cn](http://www.miele.cn)

## Hong Kong

Miele (Hong Kong) Limited  
AIA Plaza, 24 Floor  
18 Hysan Avenue  
Causeway Bay  
Tel: +852- 2610-1331  
Fax: +852-2610-1013  
E-mail: [mielehk@miele.com.hk](mailto:mielehk@miele.com.hk)  
Internet: [www.miele.hk](http://www.miele.hk)

## Ireland

Miele Ireland Ltd.  
Broomhill Road, Tallaght, Dublin 24  
Tel: (01) 461 0710  
Fax: (01) 461 07 97  
E-Mail: [info@miele.ie](mailto:info@miele.ie)  
Internet: [www.miele.ie](http://www.miele.ie)

## New Zealand

Miele New Zealand Limited  
Unit L, 10-20 Sylvia Park Road  
Mt. Wellington, 1060, Auckland, NZ  
Tel: 0800 264353  
Fax: 0800 463453  
Internet: [www.miele.co.nz](http://www.miele.co.nz)

## South Africa

Miele (Pty) Ltd  
63 Peter Place, Bryanston 2194  
P.O. Box 69434, Bryanston 2021  
Tel: +27 (0) 11 548-1900  
Fax: +27 (0) 11 548-1935  
E-mail: [info@miele.co.za](mailto:info@miele.co.za)  
Internet: [www.miele.co.za](http://www.miele.co.za)

## Singapore

Miele Southeast Asia  
Miele Pte. Ltd.  
163 Penang Road  
# 04 - 02/03 Winsland House II  
Singapore 238463  
Tel: +65 6735 1191  
Fax: +65 6735 1161  
E-Mail: [infosea@miele.com.sg](mailto:infosea@miele.com.sg)  
Internet: [www.miele.sg](http://www.miele.sg)

## United Arab Emirates

Miele Appliances Ltd.  
P.O. Box 11 47 82  
Gold & Diamond Park  
Sheikh Zayed Road  
Building 6 / Offices Nos. 6-214 to 6-220  
Dubai  
Tel: +971-4-341 84 44  
Fax: +971-4-341 88 52  
E-Mail: [info@miele.ae](mailto:info@miele.ae)  
Internet: [www.miele.ae](http://www.miele.ae)

Alteration rights reserved / 1508

M.-Nr. 06 813 391 / 00

F 623 Ui-2

F 623 Ui-3





## Free Manuals Download Website

<http://myh66.com>

<http://usermanuals.us>

<http://www.somanuals.com>

<http://www.4manuals.cc>

<http://www.manual-lib.com>

<http://www.404manual.com>

<http://www.luxmanual.com>

<http://aubethermostatmanual.com>

Golf course search by state

<http://golfingnear.com>

Email search by domain

<http://emailbydomain.com>

Auto manuals search

<http://auto.somanuals.com>

TV manuals search

<http://tv.somanuals.com>