

Installation Instructions

K 1803 Vi, K 1813 Vi

en - CA

K 1903 Vi, K 1913 Vi

Installation, repair and maintenance work should be performed by a Miele authorized service technician in accordance with national and local safety regulations and the provided installation instructions.

Caring for the environment

Disposing of the packaging materials

The packaging is designed to protect the appliance from damage during transportation. The packaging materials used are selected from materials which are environmentally friendly for disposal and should be recycled.

Ensure that any plastic wrappings, bags, etc. are disposed of safely and kept out of the reach of children. Return the packaging to your dealer.

Disposal of your old appliance

Old appliances may contain materials that can be recycled. Please contact your local recycling authority about the possibility of recycling these materials.

Please take care not to damage the pipework while the appliance is being stored for transport to a waste disposal facility.

By protecting the pipework, you help keep the coolants and compressor oil from contaminating the environment.

Before discarding an old appliance disconnect it from the electrical supply and cut off the power cord to prevent it from becoming a hazard.

Have the appliance installed by a qualified technician, according to the enclosed installation instructions.

WARNING

This appliance is top-heavy and must be secured to prevent it from tipping forward.

Keep the door closed until the appliance is completely installed and secured as per the installation instructions.

Empty weight of your machine:

K 18x3 Vi 419 lbs (189 kg)

K 19x3 Vi 452 lbs (205 kg)

Climate Range

The appliance is designed for use within certain climate ranges (ambient temperatures) and should not be used outside this range. The climate range of this appliance is stated on the data plate inside the appliance.

Climate range	Ambient room temperature
SN	+50°F (10 °C) to +90°F (32 °C)
N	+60°F (16 °C) to +90°F (32 °C)
ST	+60°F (16 °C) to +100°F (38 °C)
T	+60°F (16 °C) to 110°F (43 °C)

Operating in a room which is too cold will cause the compressor to switch off for too long, causing the internal temperature in the appliance to rise with the risk of food deteriorating and going off.

Installation site

The appliance should be installed in a dry, well ventilated room.

Do not install the appliance:

- outdoors,
- in an environment with dripping water,
- in rooms which are at risk of frost.

The installation location should not be exposed to direct sunlight, nor near a heat source, such as an oven, radiator, etc.

The ambient temperature should not drop below 55°F (13°C) or rise above 110°F (43°C), otherwise malfunctions may occur.

If installation next to a heat source is unavoidable observe the following minimum distances from the heat source:

- 1 1/4" (3 cm) from an electric cooktop or electric oven.
- 12" (30 cm) from a gas or oil cooktop, range or oven.

The following should also be taken into consideration:

- The electrical outlet must be easily accessible in case of an emergency, not concealed behind the appliance.
- The plug and cord must not touch the rear of the appliance as they could be damaged by vibrations from the appliance.
- Do not plug in other devices behind this appliance.

Installation

Important! When there is high humidity a build-up of condensation on the outer surfaces of the appliance can occur. This can cause the surfaces to corrode. To prevent this, it is advisable to install the appliance in a dry and/or an air-conditioned room with sufficient ventilation. Please ensure that doors close and seal properly after installation and that the appliance is installed in accordance with these installation instructions and with the required ventilation openings.

- If the room is too cold, it will cause the cooling system in the appliance to remain off for too long. This can cause the temperature in the appliance to rise, resulting in damage.

Base

A fully loaded appliance is very heavy. The load-bearing capacity of your floor must meet the following requirements:

K 18x3 Vi 996 lbs (452 kg)

K 19x3 Vi 1,191 lbs (540 kg)

To ensure that the appliance is installed securely and functions properly, the base must be flat, level and made of a hard, rigid material.

If in doubt, contact Miele.

Furniture/fixtures

The new appliance will be mounted securely to adjacent and overhead furniture/fixtures.

For this reason it is essential that all attachable furniture/fixtures are connected securely to the base or the wall by suitable means.

Ventilation

The air intake and outlet must not be blocked or covered in any way. They also need to be dusted/cleaned on a regular basis.

Installation niche

To ensure safe, trouble-free installation and the best possible cosmetic result, check to be sure that the installation space complies with the installation dimensions. See "Niche dimensions".

The side walls of the installation cavity must be plumb.

The minimum thickness of the side walls and the top wall must be $\frac{5}{8}$ " (16 mm).

The minimum thickness of the toe-kick panel must be $\frac{1}{2}$ " (13 mm). A thickness of $\frac{3}{4}$ " (19 mm) is recommended.

Installation

Stainless steel panels

Stainless steel door panels and toe-kick covers are available from Miele.

Custom door panels

This appliance is compatible with all styles and designs of kitchen cabinetry.

The total weight of the decorative panel(s) must not exceed the following:

K 18x3 Vi. 110 lbs (50 kg)

K 19x3 Vi. 81 lbs (37 kg)

Installation options

There are many different installation options. These are limited only by the design of the kitchen.

The door hinge cannot be exchanged.

Single column

The appliance can be installed at any preferred location in the kitchen.

However, be sure the door will open and close properly in the chosen location.

Side-by-side

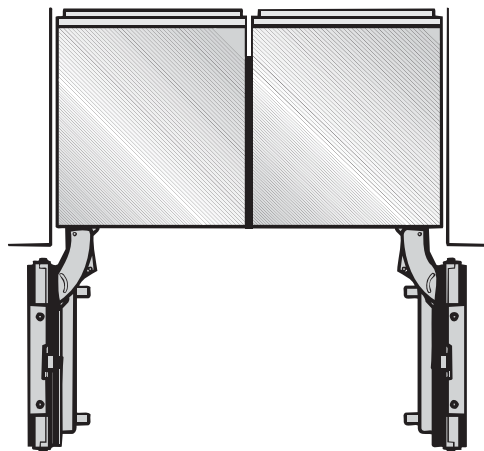
This appliance can be installed "side-by-side" with another fridge/freezer using a "Merging Kit".

The "Merging Kit" is available from Miele.

Contact Miele or your dealer for specific information about which combinations will work with your appliance.

For instructions on how to attach the appliances and install the heating mat, please refer to the instructions included with the "Merging Kit", available from Miele.

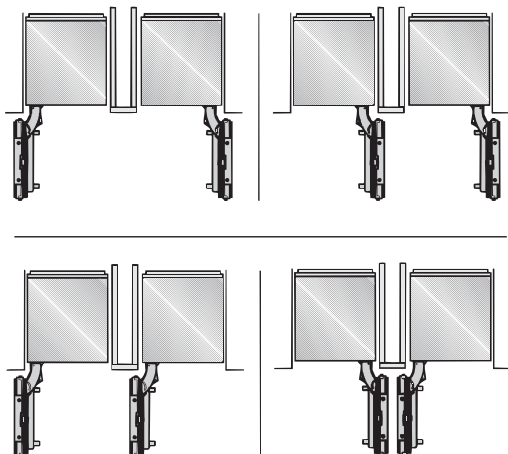
Installation without a partition using the "Merging Kit"



If the appliances are installed directly next to each other (without a partition), they need to be attached together using the "Merging Kit".

Installation with partition using the "Merging Kit"

The minimum thickness of the partition is $\frac{5}{8}$ " (16 mm).



If there is a partition with a thickness **from $\frac{5}{8}$ " (16 mm) to $6 \frac{5}{16}$ " (160 mm)** between the adjacent appliances, then each appliance should be individually installed within its own niche using the mounting accessories included. The "Merging Kit" will also be needed.

The "Merging Kit" is available from Miele.

Installation with partition without using the "Merging Kit"

If there is a partition with a thickness of **more than $6 \frac{5}{16}$ " (160 mm)** between the adjacent appliances, then each appliance should be individually installed within its own niche using the mounting accessories included (the "Merging Kit" is not necessary).

Side panels

If one side of the appliance is visible, a side panel must be used.

The side panel must be firmly secured to the wall, the floor and the overhead furniture/fixtures before the appliance is placed in the cavity.

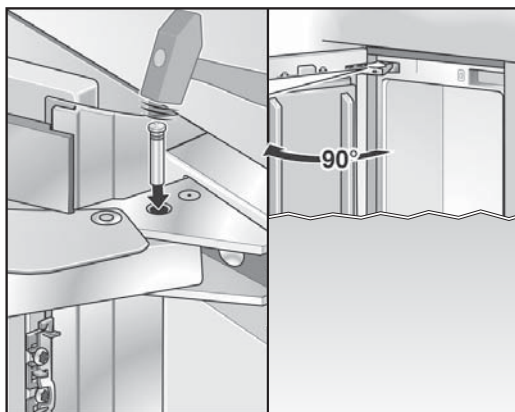
The dimensions of the side panel are taken from the opposite wall of the installation space. During installation, ensure that the cavity is square and the measurements are correct.

Installation

Adjusting the door opening angle (optional accessory)

Depending on the installation site, it may be necessary to adjust the door opening angle to 90°.

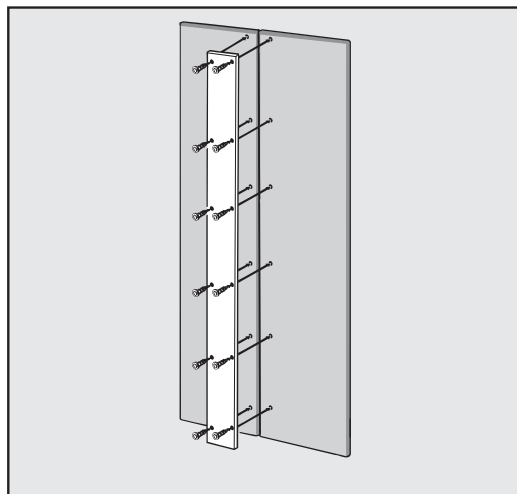
- Open the door.



- Insert the banking pin through the holes and drive in with a hammer.

The door opening angle is now limited to 90°.

Front panel gap kit (optional accessory)



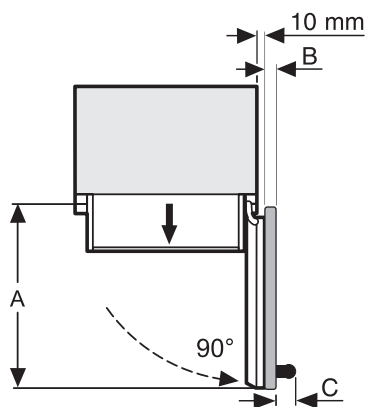
Two adjacent furniture doors can be attached instead of one large door.

To connect these furniture doors on the rear, a metal strip can be purchased as an optional accessory. Contact Miele.

When attaching the metal strip to the furniture doors, observe the maximum length of the screws and the position of the drill holes.

Always screw into the best possible load-bearing material of the custom doors.

Door dimensions (open min. 90°)

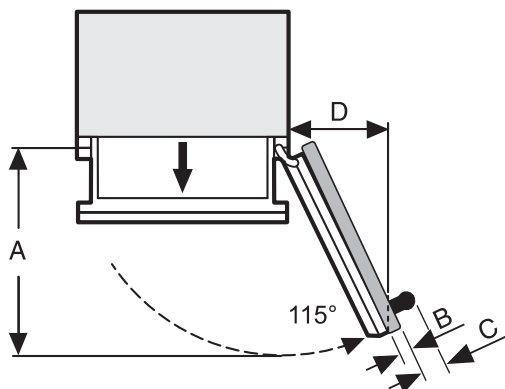


*The dimensions of the door fronts and handles will vary according to each individual kitchen.

$\frac{3}{8}$ " (10 mm)

	A	B	C
K 18X3 Vi	32 $\frac{5}{8}$ " (829 mm)	Door front max. 1 1/2" (38 mm)	Door handle*
K 19X3 Vi	38 $\frac{11}{16}$ " (982 mm)	Door front max. 1 1/2" (38 mm)	Door handle*

Door dimensions (open min. 115°C)

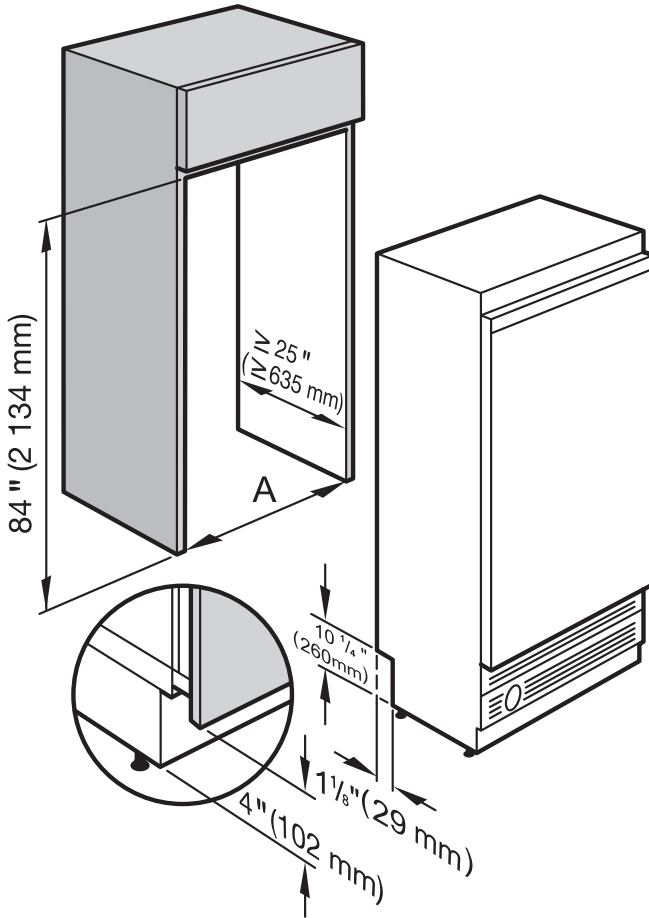


*The dimensions of the door fronts and handles will vary according to each individual kitchen.

	A	B	C	D
K 18X3 Vi	32 $\frac{5}{8}$ " (829 mm)	Door front max. 1 1/2" (38 mm)	Door handle*	14 $\frac{5}{16}$ " (363 mm)
K 19X3 Vi	38 $\frac{11}{16}$ " (982 mm)	Door front max. 1 1/2" (38 mm)	Door handle*	16 $\frac{7}{8}$ " (428 mm)

Dimensions

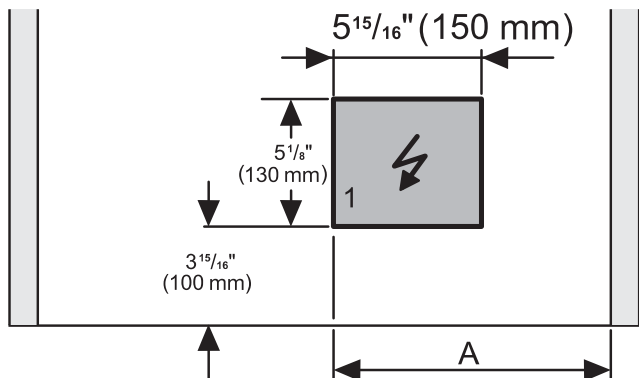
Niche dimensions



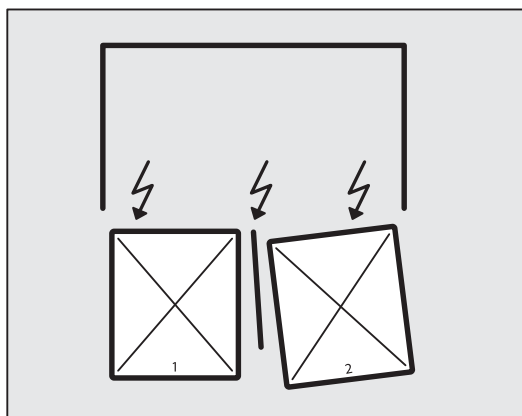
Niche width (A)	
K 18X3 Vi	30" (762 mm)
K 19X3 Vi	36" (915 mm)


Power supply

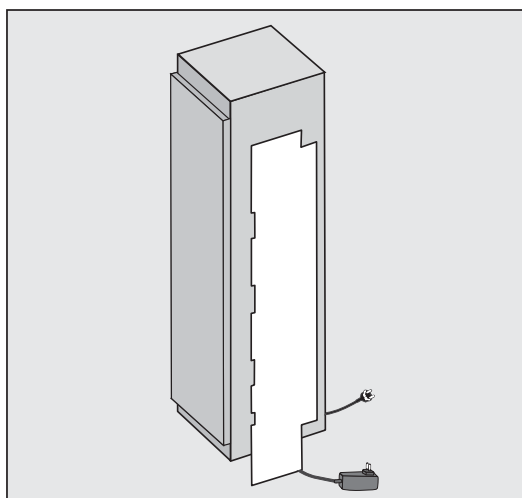
1. Power supply



	A
K 18X3 Vi	15" (381 mm)
K 19X3 Vi	18" (458 mm)

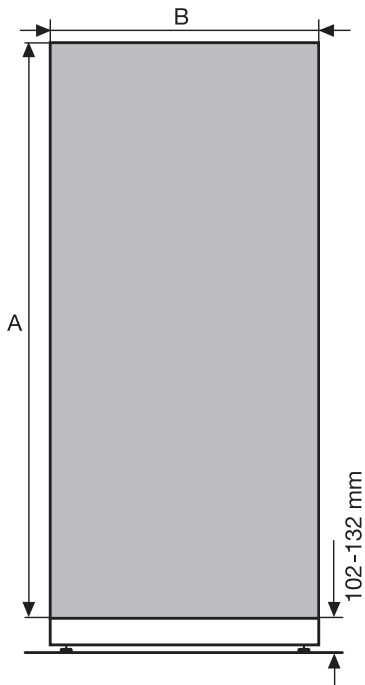


 Power bars or extension cords are not safe (risk of fire). Do not use them to connect the appliance to the power supply.



Dimensions

Door front dimensions



	A	B
K 18X3 Vi	79 $\frac{7}{8}$ " (2029 mm)	29 $\frac{3}{4}$ " (756 mm)
K 19X3 Vi	79 $\frac{7}{8}$ " (2029 mm)	35 $\frac{3}{4}$ " (908 mm)

4" - 5 $\frac{3}{16}$ " (102 - 132 mm)

Before you begin

Read these instructions completely and carefully.

Have the appliance installed by a qualified technician, according to the enclosed installation instructions.

To reduce the risk of injury or damage to the product, two people should be used for installation.

These installation instructions are intended for use by qualified installers. In addition to these instructions, the appliance must be installed in accordance with all local codes. In the absence of a local code, the following should be used:

- In the USA, the National Electric Code, ANSI/NFPA 70 - latest edition/State and Municipal codes and/or local codes.
- In Canada, the Canadian Electric code C22.1 - latest edition/Provincial and Municipal codes and/or local codes.

Tools needed for installation

- Cordless screwdriver
- Torx screwdriver
- Hammer drill
- Wood drills in different sizes
- Hammer
- Ratchet 5/16" (8 mm)
- Adhesive tape

- Multi-grip pliers
- Level
- Tape measure
- Square

When fastening the cabinet to the wall behind it (see "Installing the appliance") use:

- suitable plugs/screws depending on the type of wall.
- several mounting brackets, if required.

Other

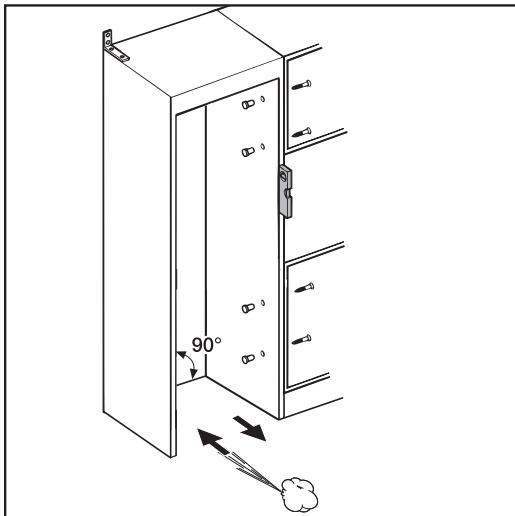
- Stepladder
- Dolly, hand truck
- Wooden beam (cross section min. 3" x 4" [75 mm x 100 mm] as an alternative tilt protection, length depends on the width of the installation cavity)
- Wood screws in different sizes

Optional accessories

- "Merging Kit" for side-by-side installation
- Front panel gap kit
- RemoteVision module for wireless monitoring

Installing the appliance

Aligning the housing unit



The housing unit must be carefully aligned using a spirit level before installing the appliance. The unit corners must be at right angles, as otherwise the furniture door will not align correctly with the 4 corners of the appliance.


- The side panels of the housing must be even.
- The housing unit panels must be at least 5/8" (16 mm) thick.
- The plinth facing must be at least 1/2" (13 mm) thick, preferably 3/4" (19 mm).

Check the installation niche

To ensure a safe, trouble-free installation and the best possible cosmetic result, check to be sure that the installation space complies with the installation requirements.

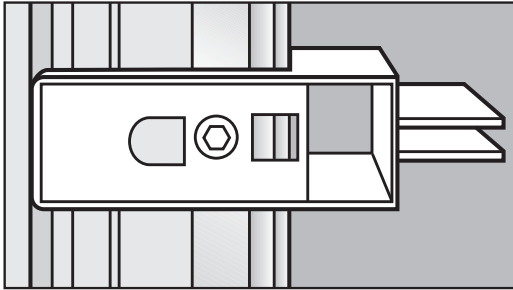
- Check the base (see "Installation").
- Check the dimensions of the cavity.
- Check that the cavity is square.
- Check the location of the power outlet.
- Check that all furniture parts in the vicinity of the appliance are securely connected to the wall.
- Check that the adjacent furniture/fixtures do not collide with the open door.

Before installation

 Caution - the appliance is very heavy. Use caution when unpacking and opening the door, danger of tipping.

- To protect the base from damage during installation, attach a hard board, linoleum, etc., to the floor in front of the intended installation location.
- Remove any cable clips from the back of the appliance.
- Take the supplied accessories out of the protective packaging.

Installing the appliance

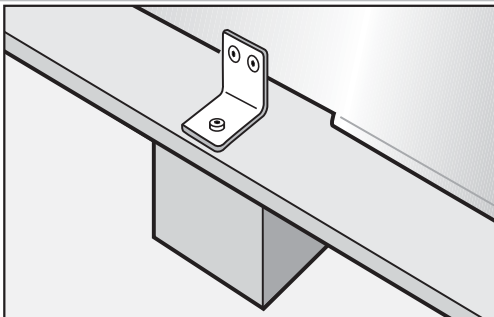


- Do **not** remove the installation supports from the appliance door. They will be used later in the installation niche.


There are transportation safety devices inside the appliance to protect the shelves and storage compartments until installation is complete. **Do not remove them**, or parts may be damaged.

- Check the appliance for damage in transit.

Do not install the appliance if it is visibly damaged. If in doubt, contact your dealer.



- Loosen the bracket that holds the appliance to the pallet.

 **Caution!** The appliance is no longer secured and may be unstable.

- From the rear of the appliance carefully lift it from the pallet.

Once the appliance is on the ground it can be wheeled around.

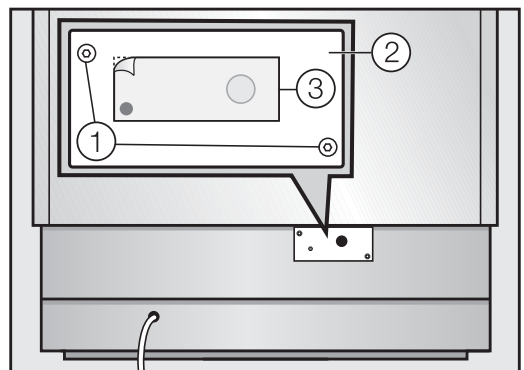
RemoteVision module installation

(optional accessory)

Always disconnect the appliance from the power supply when performing installation, maintenance or service work.

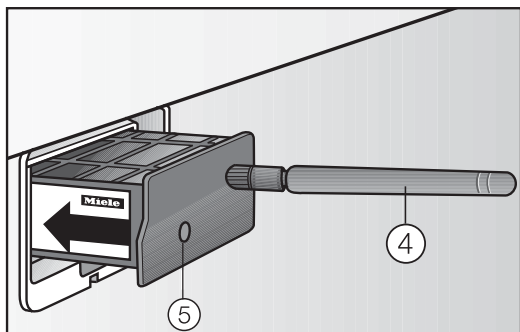
Install the RemoteVision module before placing the appliance in its installation niche.

Once connected the RemoteVision module will increase the energy consumption of the appliance.



The slot for the RemoteVision module is located in the lower area of the back of your appliance.

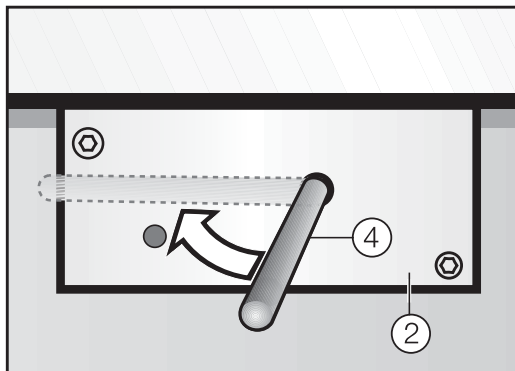
Installing the appliance



- Unscrew the screws ① on the cover ② and pull off the sticker ③.
- Remove the cover ②.
- Push the module into the slot until it locks into place.
- Connect the appliance to the power supply and turn it on. After several seconds the indicator light ⑤ will come on.


The indicator light will display different colors one after the other; any control light at the end indicates that the module was correctly installed.

If the indicator light does not come on, installation of the module was unsuccessful. In that case, repeat the process. If that does not correct the problem, contact Miele.



- Pull the antenna ④ straight out.
- Guide the cover ② over the antenna ④ and screw on the cover.
- Angle the antenna ④ so that it faces to the right or left.
- If necessary, disconnect the power supply and continue installing the appliance.

Preparing the installation niche

 Keep the appliance door closed until it is securely fastened in the niche. Tipping hazard.

Because of the size and weight of the appliance, it is essential to ensure that the appliance cannot tip over once it has been mounted in the niche.

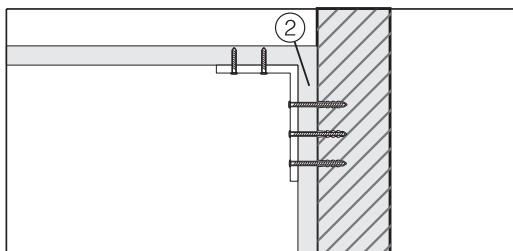
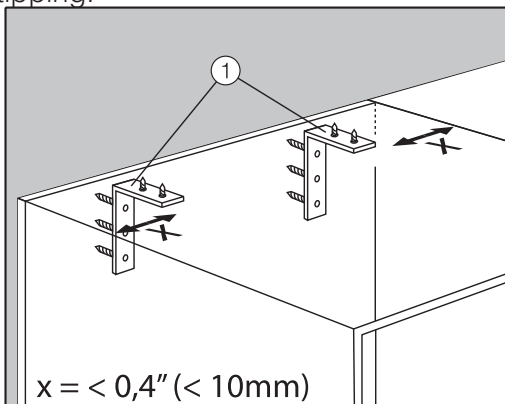
Mounting Accessories

The mounting accessories needed for installing the appliance into the niche are included in the packaging. Several plastic bags are included which are numbered alphabetically.

The bag needed for each step will be marked with its respective letter.

Anti-tip brackets

The anti-tip brackets ① keep the appliance safely secured in the installation niche ② and prevent it from tipping.



Risk of tipping

The installation niche must be securely attached to the wall behind it. This is the only way the appliance, which is later secured in the niche, can be prevented from tipping!

Two anti-tip brackets are recommended for each appliance. For side-by-side installations 4 brackets are recommended.



- Position the anti-tip brackets on the left and right in the installation niche so that there is no more than 3/8" (10 mm) of space between the brackets and the side walls.
- Mark the drill holes in the anti-tip brackets on the back wall and on the ceiling of the installation niche.
- Set the brackets aside - they will be needed again later.

Screws are supplied with the appliance for various applications/materials.

If the anti-tip brackets cannot be attached securely with the screws supplied, an alternative anti-tip device can be used.

Assure that there are no electrical wires in the area which the screws could penetrate - risk of injury and damage.



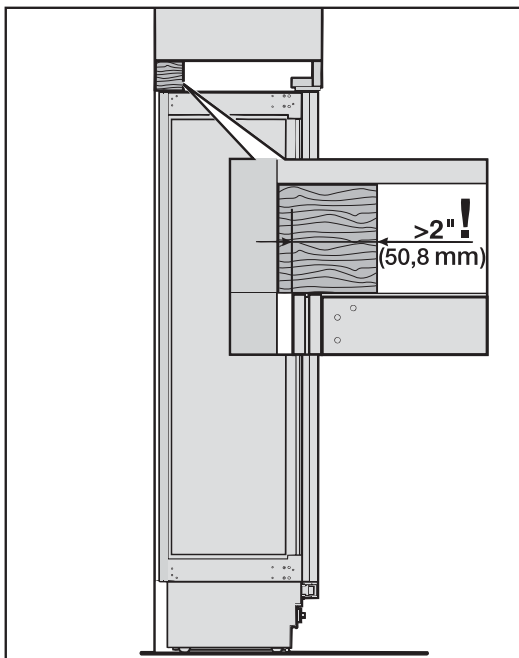
- Now attach the installation niche to the wall.

Installing the appliance

Securing an alternative anti-tip device

If the anti-tip brackets cannot be attached securely, an alternative anti-tip device can be used. Ensure that there is no "give" between the appliance and the anti-tip device.

If possible, always screw the wooden beam to existing studs.



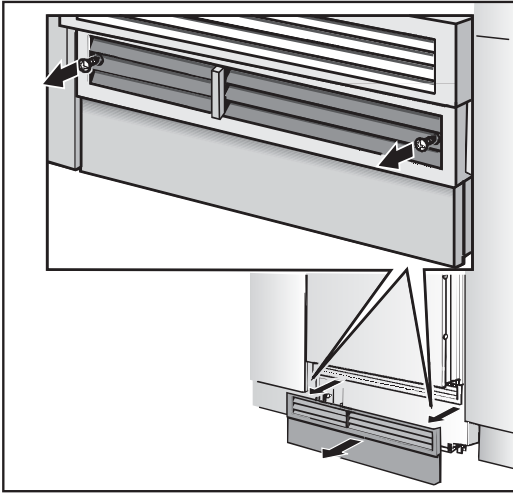
- Cut a wooden beam (cross section min. 3" x 4" [75 mm x 100 mm] to the required length).
- The length is equal to the width of the installation niche.
- If the installation niche is deeper than the appliance, select a beam with a larger cross section, or attach two beams.

- The beam must cover the appliance by at least 2" (50.8 mm).
- Mark the installation height (lower edge of the beam) on the rear wall of the niche.
- Select screws according to the thickness of the wooden beam. Example: 3 1/2" (89 mm) screw for 2x4 beam.
- Determine the number of screws based on the cavity width, to ensure that the beam will be attached securely.
- Locate wall studs near the rear wall of the cavity and mark drill holes in the beam.
- Pre-drill the wooden beam.
- Attach the wooden beam to the rear wall of the niche.

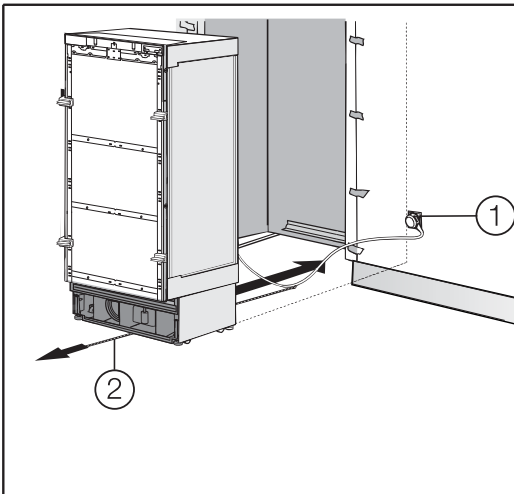
Installing the appliance

Sliding the appliance into the installation space

If a side-by-side installation is desired, connect the two appliances together. See the Installation Manual included with the "Merging Kit".



- Unscrew the plinth.



- To protect the corners of the installation space, attach edge protectors where needed (not included).

- Plug the appliance into the power outlet ①.

The plug of the appliance should be easily accessible after installation. If the plug is not accessible after the appliance has been installed, disconnection from the power supply should be completed via the circuit breaker.

In the case of side-by-side installations, a separate outlet must be used for each appliance.

- To prevent the power cord from becoming caught:
Tie a piece of string to the middle of the power cord and feed it forward under the appliance. When sliding the appliance in, pull the cable forward ②.

- Carefully slide the appliance into the space.

If resistance is felt when attempting to slide the appliance into the installation niche - for example, because the floor is uneven,

- Turn the rear adjustable wheels slightly outward (see "Aligning the appliance"), then push the appliance in.

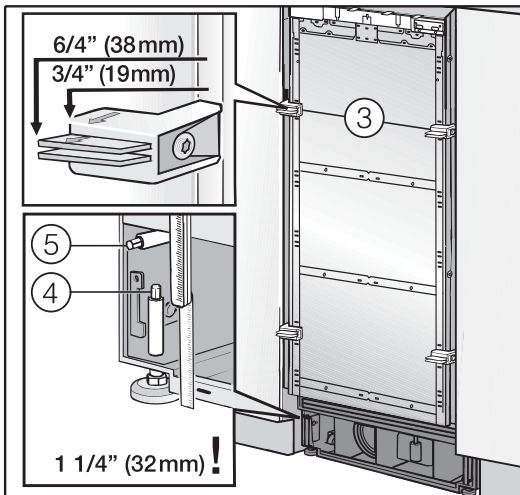
Be careful not to damage the power cord attached to the floor.

- Remove the edge protectors.

Installing the appliance

Aligning the appliance

- Align the appliance with the custom front.



The installation aids ③ on the appliance door have been designed for custom door thicknesses of 3/4" (19 mm) and 1 1/2" (38 mm).

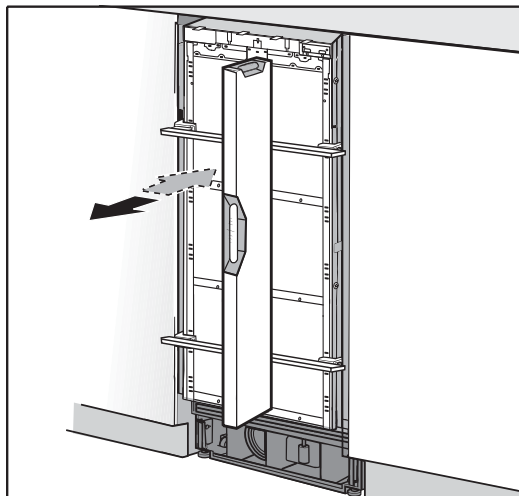
The height-adjustable feet at the front and rear can all be adjusted from the front:

- Front feet:
Adjust with a ratchet 5/16" (8 mm) ④
- Rear feet:
Adjust with a (cordless) screwdriver and/or a ratchet 5/16" (8 mm) for fine adjustment ⑤
- Use a level to align the installation aids ③ on the door.

Important!

When unscrewing the height-adjustable feet, proceed gradually, alternating between left and right.

- Unscrew the height-adjustable feet until the mark on the base has reached the indicated guide dimension 1 1/4" (32 mm). The guide dimension of 1 1/4" (32 mm) is related to a niche height of 84" (2134 mm).

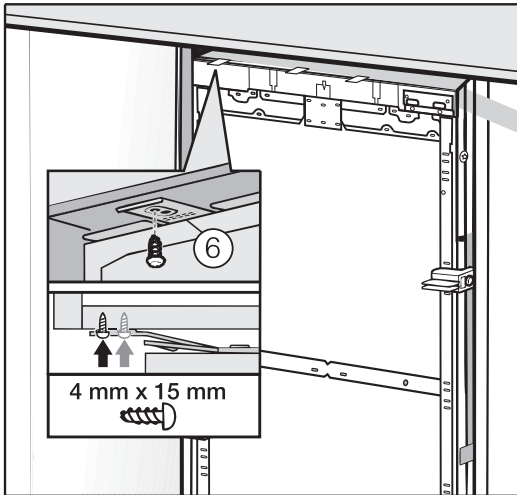


- Align the custom door with a level.

Note:

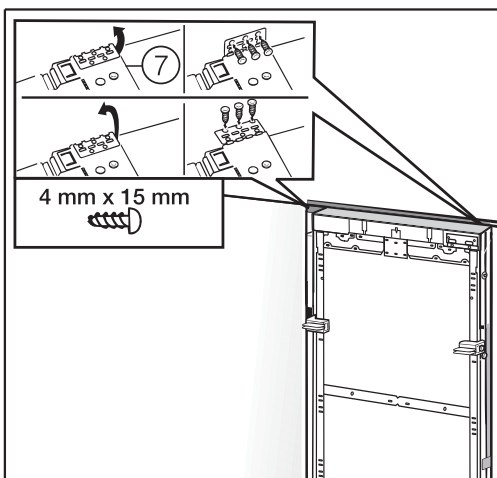
- When unscrewing the height-adjustable feet, proceed gradually, alternating between left and right.
- If using a wooden beam as an alternative anti-tip device, rotate the appliance all the way toward the wooden beam.

Attaching the appliance to the installation niche



- Screw the attachment plate lugs (6) to the overhead furniture/fixtures.

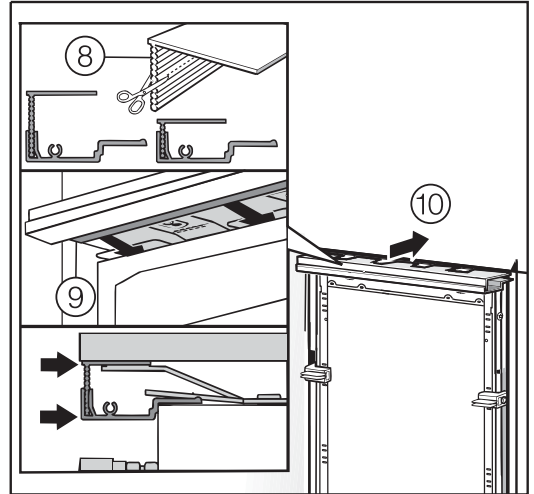
If there is no way to attach the top of the appliance, it can be attached to the sides of the installation niche.



- Pull out the plate side lugs (7).



- Secure the attachment plate side lugs.

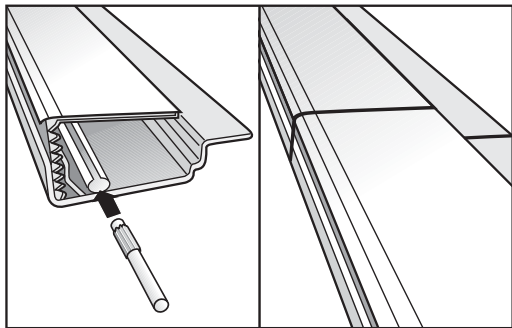


If there is a fairly large gap above the appliance, cut a wooden beam to fit exactly and place it in the gap.

- If necessary, shorten the filler strip (8) to the required height.
- Place the 2 strips on top of each other (9).
- Insert the filler strip until you hear it click into place (10).

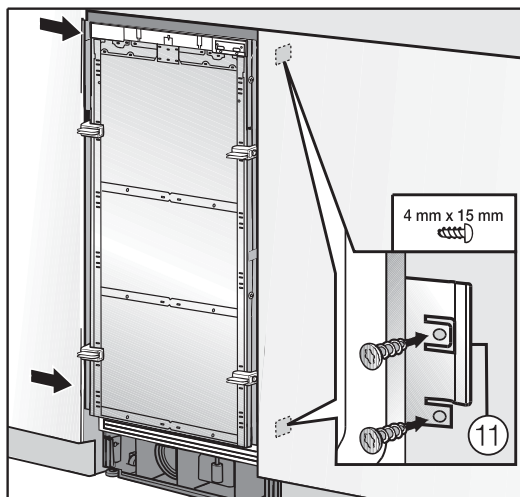
Installing the appliance

For a side-by-side combination the filler strips from both appliances are put together to form one long filler strip:



- Take the peg from the "side-by-side merging kit" and insert it halfway into the filler strip rail on the left-side appliance.
- Place the second filler strip on the peg and press both filler strips together.
- Insert both filler strips into the installation space above the appliance, until they click into place.

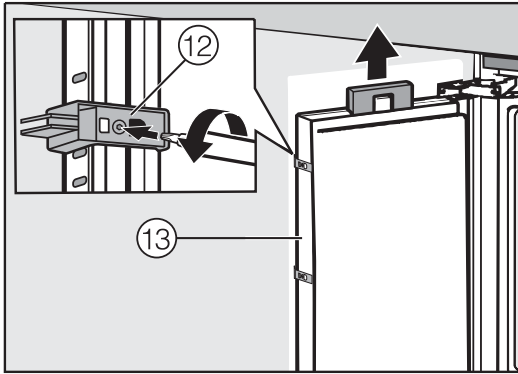
- Open the appliance door.



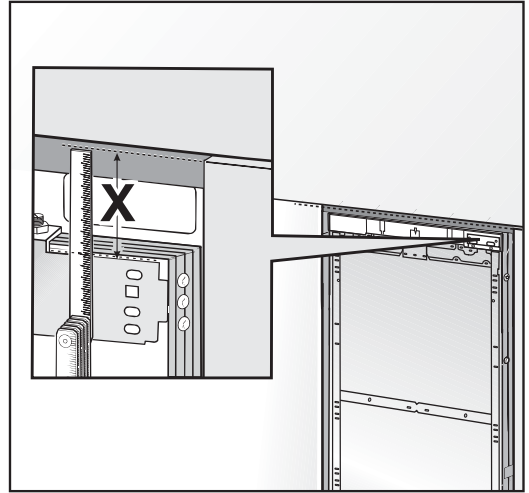
- Screw the attachment plate lugs ⑪ to the adjacent furniture/fixtures.

With side-by-side combinations, only the external side of the appliances can be secured to the niche.

Preparing the custom door

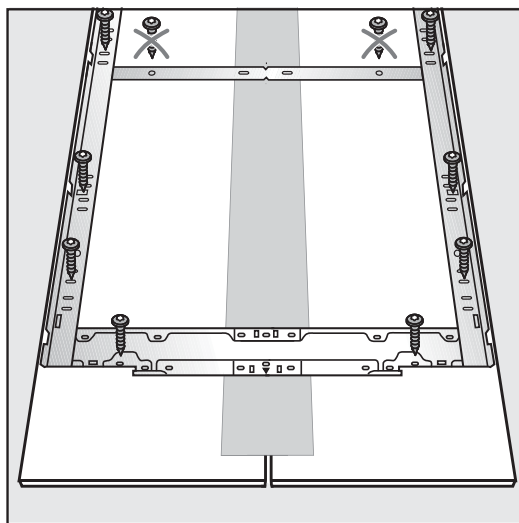
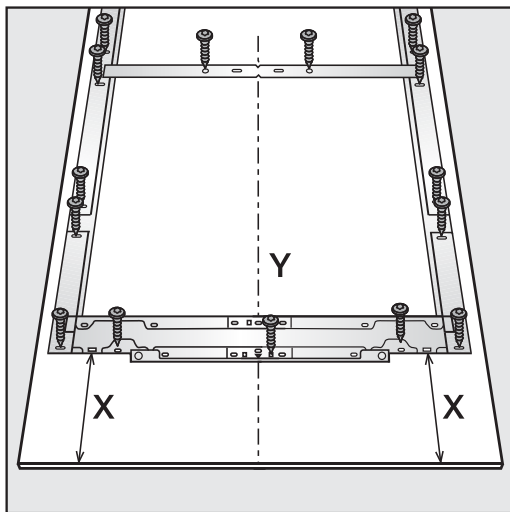


- Open the appliance door.
- Unscrew the installation supports ⑫ from the appliance door.
- Loosen the remaining screws from the strips ⑬ on each side of the door, then remove.
- Set aside the screws and side strips ⑬ - you will need them again later.
- Remove the light switch cover (see arrow).
- Close the appliance door.



- Measure the distance **X** between the bracket from the door and the overhead furniture/fixtures.
- Loosen the two nuts.
Set aside the nuts - you will need them again later.
- With the inside facing up, lay the custom door on a stable surface (to avoid scratch marks, place some plastic or a cloth on the surface).

Installing the appliance



- Mark the distance **X** on the back-side of the custom door.
- Also calculate and mark the center of the custom door **Y**.
- Remove the mounting frame from the appliance door and position it according to the markings on the custom door.
- Pre-drill the holes.
- Tightly screw on the bracket using the pre-drilled holes:
Attach the bracket to each attachment point with at least one screw.

Please note: When attaching the mounting frame onto two adjacent doors (see "Front panel gap kit") screw into the thicker outer frames of the doors **only**.

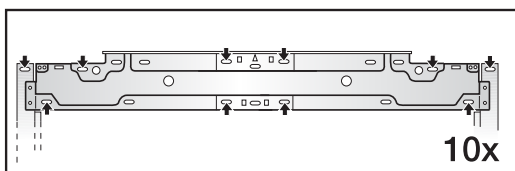
The bracket includes a variety of holes for the various design options of custom doors.

When performing work on the custom door, always observe the following:

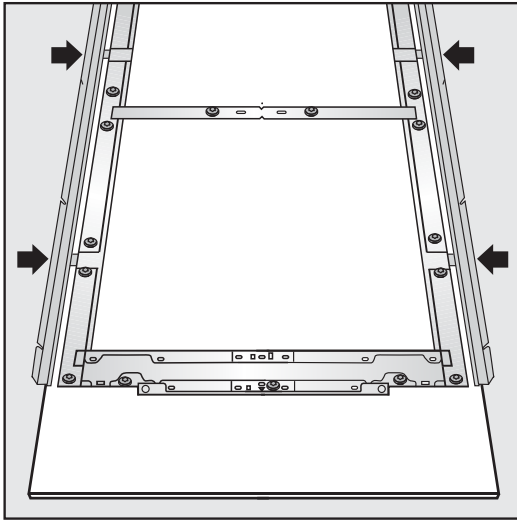
- Always select the best load-bearing surface of the custom door as the location for screws.
 - Always select a screw length that is shorter than the thickness of the door front.
- Secure the door handle to the front of the appliance from the inside.



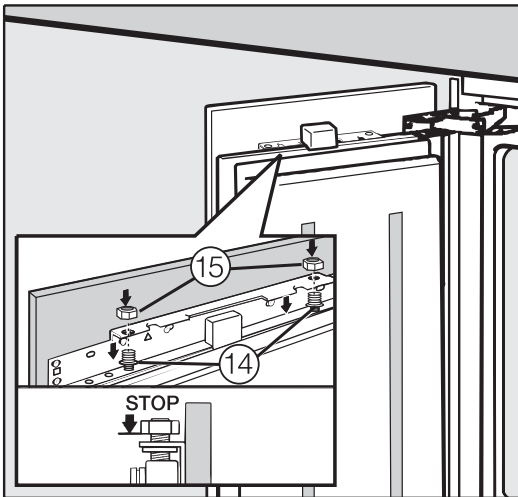
- Attach the bracket at the top with at least 10 screws.



Attaching and aligning the custom door front



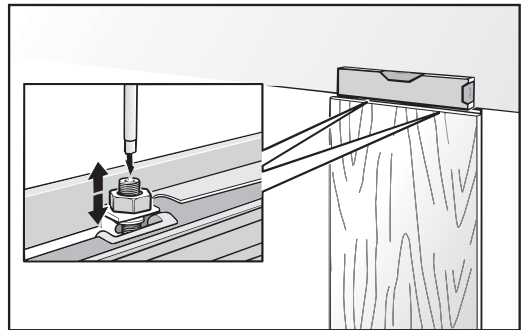
- Insert the angle trim (13) as far as it will go in the spaces provided in the mounting frame.



- Open the door and hang the custom door with the mounting frame over the threaded bolts (14).



- Put the side strips (13) back into place and screw them completely down on both sides of the appliance door. Bag E contains spare screws for this purpose.
- Screw the nuts (15) a few turns onto the threaded bolts (14). Do not tighten the nuts completely.
- Close the appliance door and check the distance to doors of adjacent furniture/fixtures.

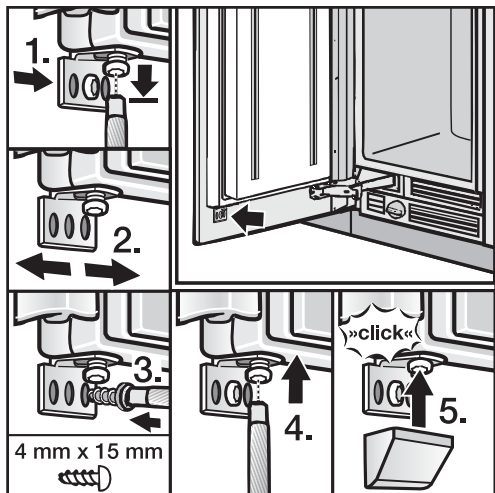


- Align the custom door height with the threaded bolts (14).
- Align the appliance door depth with the recesses in the angle trim (13). Then screw the angle trims into position.
- Now tighten the nuts (15) on top. This secures the appliance door.

Installing the appliance

Attaching the fixing brackets

(Only for appliances using the "Front panel gap kit".)



The fixing brackets are used to secure the custom door front to the bottom of the appliance door.

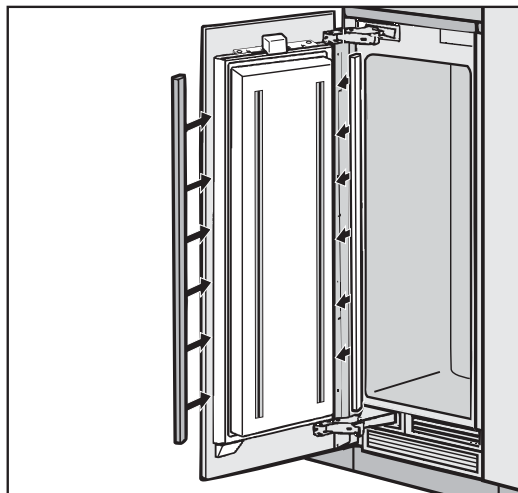
- Open the appliance door all the way.
- Slightly loosen the screw (1.).
- Position the fixing bracket on the appliance door (2.) and pre-drill a hole in the custom door front.



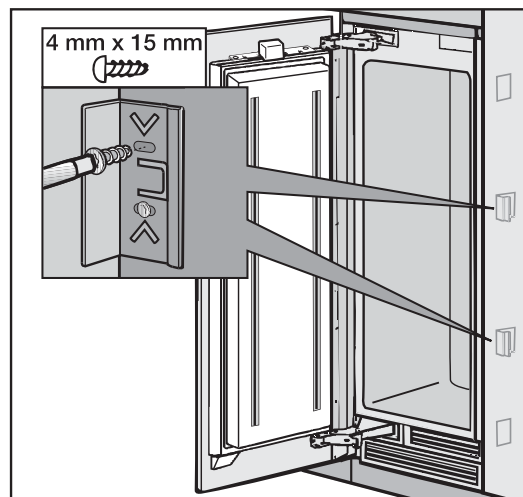
- Screw the fixing bracket securely to the custom door front (3.).
- Tighten the screw (4.).
- Put the cover on the bracket (5.).

The number of lower brackets will depend on the width and the design of the custom door.

Attaching the covers

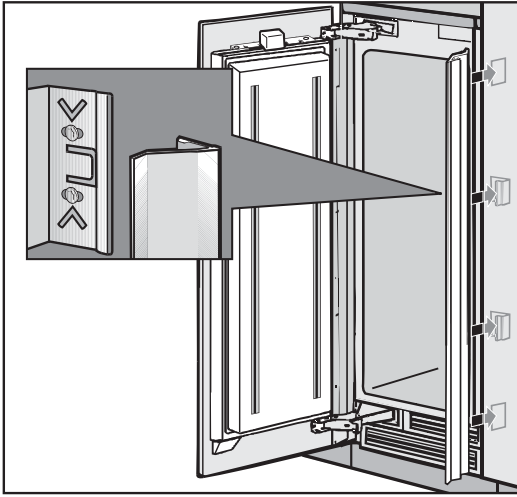


- To mount the cover strips on both sides of the door, click them into place from bottom to top, into the gap between the appliance door and the custom door.

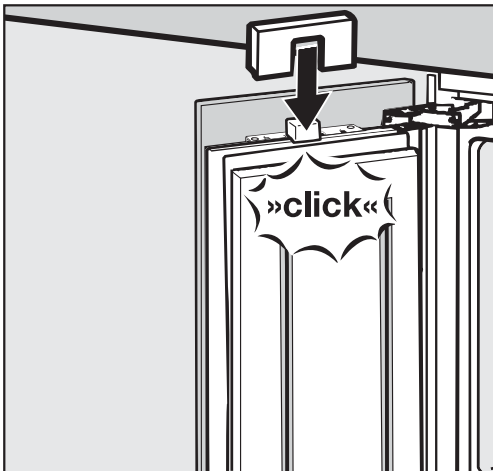


- Screw the brackets onto both sides of the appliance, to hold the cover strip.

Installing the appliance



- Insert the cover strip into the space between the appliance and the wooden panel.
For side-by-side combinations, the cover strips (on both sides of the appliance) are applied to the outermost spaces only.

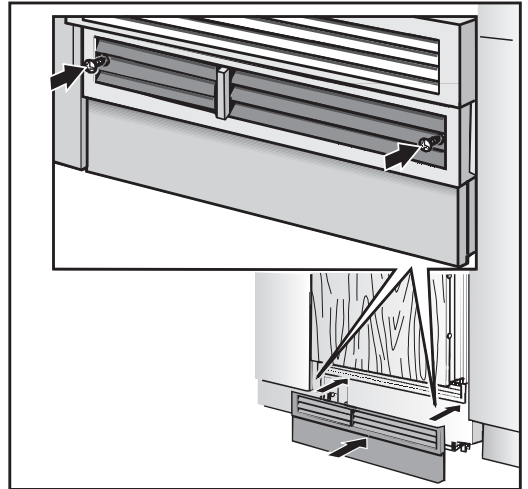


- Attach the light switch cover.

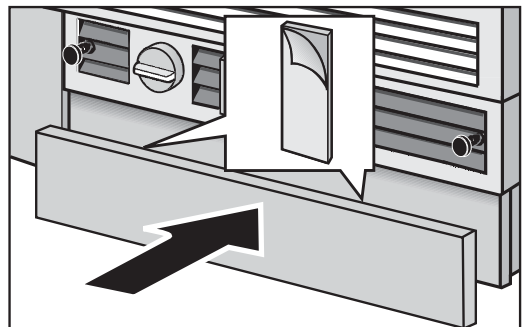
Attaching the toe-kick cover

The maximum height of the toe-kick cover is 4" (101 mm) from the top of the floor. Do not cover the ventilation slits in the plinth. Risk of damage to the appliance.

- If required, cut the toe-kick cover to the required length and height.



- Attach the plinth to the appliance, and put the included cover plates in place.

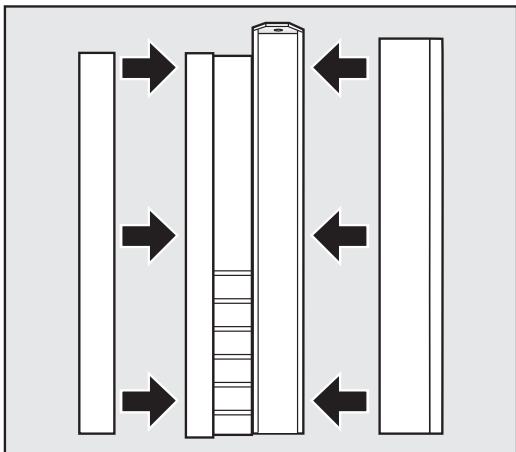


Installing the appliance

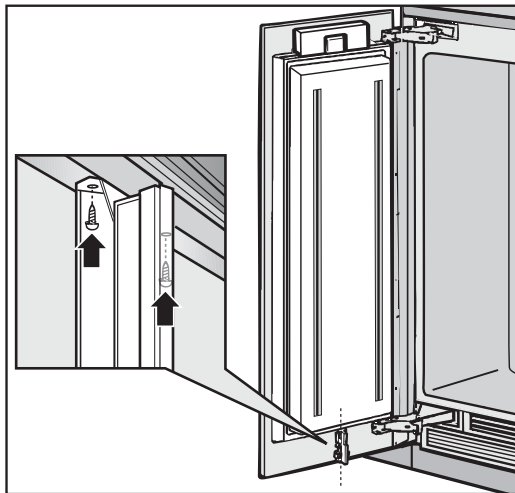
- Remove the foil from the adhesive strips.
- Attach the toe-kick cover to the plinth.

Mounting the air separator


The air separator keeps the supply and exhaust air separate. This prevents warm exhaust air from flowing into the machine, optimizing the energy performance of the unit.



- If necessary, shorten the three parts of the air separator.
- Insert the foam pieces back into the sides.



- Position the air separator in the center of the appliance door.
- From below, screw the air separator firmly onto the door with the 2 screws.

 Avoid the risk of electrical shock

- Plug into a grounded 3-prong outlet.
- Do not move the ground plug.
- Do not use an adapter.
- Do not use an extension cord.

Failure to follow these instructions can result in death, fire, or electrical shock.

Improper connection of the equipment grounding conductor may result in electric shock. If you are in any doubt as to whether the appliance has been properly grounded, have the appliance checked by a qualified electrician or service technician.

Installation, repairs and other work by unqualified persons could be dangerous.

Before installing the appliance, verify that the voltage, load and circuit rating information found on the data plate match the household electrical supply.

The appliance is supplied with a UL-listed, 3-wire power cord and NEMA 5-15 P plug ready for connection to a 120 V, 60 Hz supply. The fuse rating is 15 amps.


The appliance requires a 3-wire receptacle.


The receptacle must be installed by a licensed electrician only.

In the case of side-by-side installations, a separate outlet must be used for each appliance. Ideally, the power outlet should be next to the appliance and easily accessible. Do not connect the appliance to the power supply by an extension cord. Extension cords do not guarantee the required safety of the appliance (danger of overheating).

If any changes are needed to the household wiring or power supply, this work must be performed by a qualified electrician.

If there are any questions regarding the electrical connection of this appliance to the power supply, please consult a licensed electrician or call the Miele Technical Service.

 1-800-999-1360

 1-800-565-6435

RemoteVision (optional accessory)

Miele's RemoteVision Wi-Fi technology creates a 'virtual link' between your appliance and our monitoring center. If a fault occurs, Miele's client service center will be notified and contact you, or another trusted individual identified on your call roster, in order to gain access to your appliance to fix the problem.

For information on set-up and installation of the RemoteVision module see the "Installation" section of this manual.

Be sure your wireless system meets the following requirements

- A wireless router that supports an IEEE 802.11b/g protocol
- Windows XP® or newer operating system, Mac® OS X 10.3 or higher
- Cable or DSL modem
- Microsoft® Internet Explorer 6 or higher, Safari 2.0 or higher, Firefox 1.5 or higher

* Please note that each wireless router manufacturer supplies their own device drivers and setup programs. Due to the differences in manufacturers, exact router setup instructions are not included in this manual. Wording and instructions may vary.

RemoteVision (optional accessory)

Accessing the RemoteVision control panel



- Touch the access button "ⓘ" so it turns yellow.
- Note the position of the ∨ button, but do not touch.
- Touch the access button "ⓘ" again so it turns white.

Only the access button "ⓘ" is visible.

- Place one finger on the position of the ∨ button and hold (the ∨ button will not be visible).
- While holding down the ∨ button, press the access button "ⓘ" once. Keep holding the ∨ button down until the following appears in the display (approx. 5 seconds).



Access to the Custom settings mode is now active for approximately 10 seconds.

- Tap the ∨ button until r appears in the display.
- Touch the access button "ⓘ" to confirm.

See the table on the following page for a description of each setting in the display.

- Use the ∧ or ∨ buttons to select the RemoteVision options.

The module has been connected to the network when $r \bar{\epsilon}$ appears in the display.

If $r \bar{\epsilon}$ does not appear, refer to the "Network options" section of the XKM 2000 Installation Instruction manual.

- Press and hold the access button "ⓘ" for 2 seconds to confirm the change.
- To return to the main menu, tap the ∨ button until a solid r appears in the display.
- Press the access button "ⓘ" to confirm.
- Tap the ∨ button until a ϵ appears in the display.
- Touch the access button "ⓘ".

You have left the Custom settings mode.

When you are in the Custom settings mode the door alarm is turned off automatically. Once the door is closed it is reactivated.

RemoteVision (optional accessory)

MasterCool control panel options for RemoteVision

Status indicators	Description of function
Flashing $r -$	Module booting phase
Flashing $r \sim$	Not connected to network
Flashing $r \equiv$	Connection to network established, no IP address assigned
Solid $r \equiv$	Connected to network
Flashing $r \equiv$	In Ad-Hoc Mode, not connected
Flashing $r \sim$	In Ad-Hoc Mode, connected

Selectable options	Description of function
$r -$	Back
$r 2$	Reboot the module
$r 3$	Reset to factory settings
$r 4$	Enter Ad-Hoc Mode

Note: If you cannot select any option (other than $r -$ "Back", the module has not been installed correctly.

**Please have the model and serial number
of your appliance available before
contacting Technical Service.**

Miele

U.S.A. Miele, Inc.

National Headquarters

9 Independence Way
Princeton, NJ 08540
Phone: 800-843-7231
609-419-9898
Fax: 609-419-4298
www.mieleusa.com

Technical Service & Support Nationwide

Phone: 800-999-1360
Fax: 888-586-8056

TechnicalService@mieleusa.com

Canada Miele Limited

Headquarters and Showroom

161 Four Valley Drive
Vaughan, ON L4K 4V8
Phone: 800-643-5381
Fax: 905-532-2290
www.miele.ca
professional@miele.ca
(commercial enquiries)

MieleCare National Service

Phone: 800-565-6435
905-532-2272
Fax: 905-532-2292
customercare@miele.ca
(general and technical enquiries)



www.miele-shop.com

K 1803 Vi, K 1813 Vi
K 1903 Vi, K 1913 Vi



en - US, CA

M.-Nr. 10 101 850 / 00

Free Manuals Download Website

<http://myh66.com>

<http://usermanuals.us>

<http://www.somanuals.com>

<http://www.4manuals.cc>

<http://www.manual-lib.com>

<http://www.404manual.com>

<http://www.luxmanual.com>

<http://aubethermostatmanual.com>

Golf course search by state

<http://golfingnear.com>

Email search by domain

<http://emailbydomain.com>

Auto manuals search

<http://auto.somanuals.com>

TV manuals search

<http://tv.somanuals.com>