

# Miele

## Operating and installation instructions



### Fridge freezer with Dynamic cooling and ice maker KF 889 iDNE-1

To avoid the risk of accidents or damage to the appliance, it is **essential** to read these operating instructions before it is installed or used for the first time.



M.-Nr. 06 175 860

# Contents

---

<b>Description of the appliance</b> . . . . .	5
<b>Caring for the environment</b> . . . . .	7
<b>Warning and Safety instructions</b> . . . . .	8
<b>How to save energy</b> . . . . .	12
<b>Switching on and off</b> . . . . .	14
To switch the refrigerator section off separately . . . . .	14
Safety lock . . . . .	15
Switching off for longer periods of time . . . . .	15
<b>The correct temperature</b> . . . . .	16
. . . in the refrigerator . . . . .	16
. . . in the freezer . . . . .	16
Temperature selection . . . . .	16
Temperature range . . . . .	17
Temperature displays. . . . .	17
Temperature display brightness . . . . .	18
<b>Alarm</b> . . . . .	19
Temperature alarm. . . . .	19
Door alarm . . . . .	19
Switching on the alarm system . . . . .	19
Switching the alarm off early . . . . .	19
<b>Super cool, super freeze and dynamic cooling</b> . . . . .	20
Super cool . . . . .	20
Freezing fresh food . . . . .	20
Super freeze. . . . .	21
Dynamic cooling . . . . .	21
<b>Using the refrigerator efficiently</b> . . . . .	22
Different storage zones . . . . .	22
Coldest area . . . . .	22
Warmest area . . . . .	22
Food which should not be stored in a refrigerator. . . . .	22
Storing food correctly. . . . .	23
Fruit and vegetables. . . . .	23
<b>Adjusting the interior fittings</b> . . . . .	24
Moving the shelves . . . . .	24
Split shelf . . . . .	24
Adjusting the door shelves . . . . .	24
Moving the bottle divider . . . . .	24

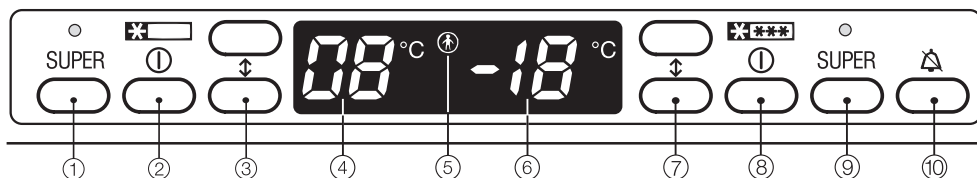
<b>Freezing and storing food</b> . . . . .	25
Maximum freezing capacity . . . . .	25
Storing frozen food . . . . .	25
Home freezing . . . . .	25
Hints on home freezing . . . . .	25
Packing . . . . .	26
Before placing food in the freezer . . . . .	26
Placing food in the freezer . . . . .	26
Freezer calendar . . . . .	27
Marker system for frozen food . . . . .	27
Defrosting . . . . .	27
Cooling drinks . . . . .	28
Freezer tray . . . . .	28
Cool pack . . . . .	28
<b>Ice cube maker</b> . . . . .	29
<b>Defrosting</b> . . . . .	31
Refrigerator section . . . . .	31
Freezer section . . . . .	31
<b>Cleaning and care</b> . . . . .	32
Cleaning the interior and accessories . . . . .	32
Cleaning the ice cube tray . . . . .	32
Ventilation gaps . . . . .	33
Door seals . . . . .	33
<b>Problem solving guide</b> . . . . .	35
<b>Noises</b> . . . . .	38
<b>Service Department</b> . . . . .	39
<b>Mains water connection</b> . . . . .	40
Notes on connecting to the mains water supply . . . . .	40
Connection to the water inlet . . . . .	40
<b>Electrical connection</b> . . . . .	42
Electrical connection U.K. . . . .	42
<b>Installation</b> . . . . .	43
Location . . . . .	43
Climate range . . . . .	43
Ventilation . . . . .	43
Before installation . . . . .	43
Building into a peninsular run . . . . .	43

# Contents

---

<b>Building-in dimensions</b> . . . . .	44
<b>Changing the door hinging</b> . . . . .	45
<b>Building in the appliance</b> . . . . .	47

## Description of the appliance

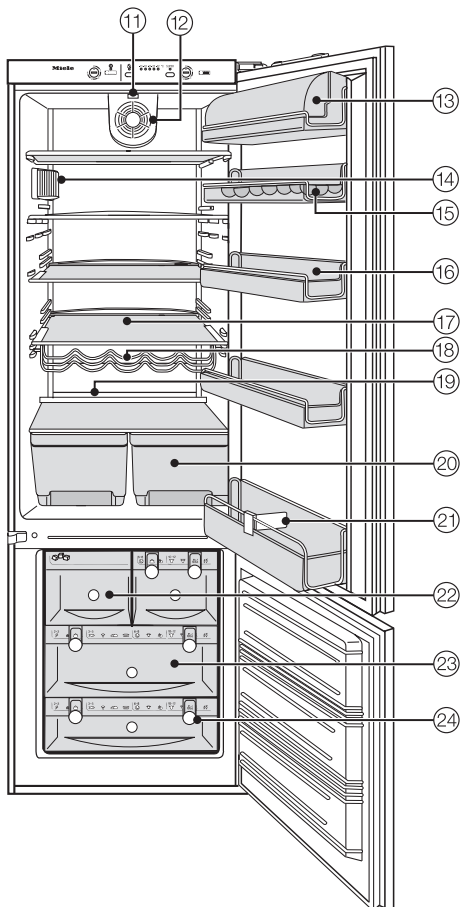


- ① Super cool button and indicator light
- ② On button for switching the whole appliance on and On/Off button for independently switching the refrigerator section on and off
- ③ Temperature selector buttons for the refrigerator section  
Upper button: warmer  
Lower button: colder
- ④ Refrigerator section temperature display
- ⑤ Safety lock indicator light
- ⑥ Freezer section temperature display
- ⑦ Temperature selector buttons for the freezer section  
Upper button: warmer  
Lower button: colder
- ⑧ Master switch for switching the whole appliance on and off
- ⑨ Super freeze button and indicator light
- ⑩ Alarm button

# Description of the appliance

---

- ① Switch for Dynamic cooling
- ② Dynamic cooling fan
- ③ Butter and cheese compartment
- ④ Interior lighting
- ⑤ Egg tray
- ⑥ Door shelves
- ⑦ Shelves
- ⑧ Bottle rack
- ⑨ Condensate channel and drain hole
- ⑩ Fruit and vegetable containers
- ⑪ Divider\*
- ⑫ Ice cube drawer with automatic ice cube maker
- ⑬ Freezer drawers with freezer calendar
- ⑭ Marker system for frozen food



\* depending on model

### Disposal of the packing material

The transport and protective packing has been selected from materials which are environmentally friendly for disposal, and can normally be recycled.

Ensure that any plastic wrappings, bags etc. are disposed of safely and kept out of the reach of babies and young children. Danger of suffocation!

Rather than just throwing these materials away, please ensure that they are recycled.

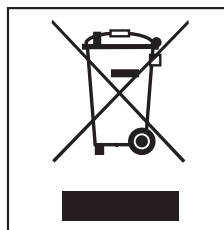
### Disposal of your old appliance

Please ensure that the appliance presents no danger to children while being stored for disposal.

It should be unplugged or disconnected from the mains electricity supply by a competent person. The plug must be rendered useless and the cable cut off directly behind the appliance to prevent misuse. See the "Warning and Safety" section of this booklet for further details.

Electrical and electronic appliances often contain materials which, if handled or disposed of incorrectly, could be potentially hazardous to human health and to the environment. They are, however, essential for the correct functioning of your appliance.

Please dispose of your old appliance at your local community waste collection / recycling centre and not with your household waste.



Take care not to damage the pipework at the back of it before or during transportation to an authorised collection depot.

In this way, refrigerant in the pipework and oil in the compressor will be contained, and will not leak out into the environment.

# Warning and Safety instructions

---

This appliance complies with all relevant legal safety requirements. Improper use can, however, present a risk of both personal injury and material damage.

To avoid the risk of accidents and damage to the appliance, read the operating instructions carefully before installation and before using for the first time. They contain important notes on the installation, safety, operation and care of the appliance.

Keep these operating instructions in a safe place and pass them on to any future user.

## Correct use

This appliance is intended for domestic use only for the cool storage of food and drinks as well as for storing deep frozen food, freezing fresh food and for preparing ice. Any other usage is not supported by the manufacturer and could be dangerous. The manufacturer cannot be held liable for damage caused by incorrect or improper use of the appliance.

This appliance is not a toy! To avoid the risk of injury, do not allow children to play on or near it, or to play with the controls. Supervise its use by the elderly or infirm.

## Technical safety

This appliance contains the coolant Isobutane (R600a), a natural gas which is environmentally friendly. Although it is flammable, it does not damage the ozone layer and does not increase the greenhouse effect. The use of this coolant has, however, led to a slight increase in the noise level of the appliance. In addition to the noise of the compressor, you might be able to hear the coolant flowing around the system. This is unavoidable, but does not have any adverse effect on the performance of the appliance.

Care must be taken during transportation and setting up of the appliance that no parts of the cooling system are damaged. Leaking coolant can damage the eyes.

In the event of any damage:

- avoid open fires and anything which creates a spark,
- disconnect from the mains,
- air the room in which the appliance is located for several minutes and
- contact the Service Department for advice.

The more coolant there is in an appliance, the larger the room it should be installed in. In the event of a leakage, if the appliance is in a small room, there is the danger of combustible gases building up. For every 8 g of coolant at least 1 m<sup>3</sup> of room space is required. The amount of coolant in the appliance is stated on the data plate inside the appliance.



# Warning and Safety instructions

---

Before connecting the appliance to the mains supply, make sure that the rating on the data plate corresponds to the voltage and frequency of the household supply. This data must correspond in order to avoid the risk of damage to the appliance. Consult a qualified electrician if in any doubt.

The electrical safety of this appliance can only be guaranteed when continuity is complete between the appliance and an effective earthing system which complies with local and national safety regulations. It is most important that this basic safety requirement is present and regularly tested. Where there is any doubt, the household wiring system should be inspected by a qualified electrician. The manufacturer cannot be held liable for the consequences of an inadequate earthing system (e.g. electric shock).

Safe operation of the appliance is only assured if it has been installed and connected in accordance with these operating and installation instructions.

This equipment is not designed for maritime use or for use in mobile installations such as caravans, aircraft etc. However it may be suitable for such usage subject to a risk assessment of the installation being carried out by a suitably qualified engineer.

Installation work, maintenance and repairs may only be carried out by suitably qualified and competent persons to ensure safety. Repairs and other work by unqualified

persons could be dangerous and the manufacturer will not be held liable. Ensure current is not supplied to the appliance while maintenance or repair work is being carried out.

The manufacturer cannot be held liable for damage caused by a faulty connection to the mains water supply.

Connection to the mains water supply and any repairs to the ice cube maker must only be carried out by a suitably qualified and competent person.

The ice cube maker is not suitable for connection to a hot water supply.

Before making plumbing connections, ensure the appliance is disconnected from the mains electricity supply.

The appliance is only completely isolated from the electricity supply when:

- it has been switched off at the wall socket and the plug has been withdrawn.
- the mains fuse is withdrawn, or
- the screw-out fuse is removed (in countries where this is applicable).

Do not connect the appliance to the mains electricity supply by an extension lead.

Extension leads do not guarantee the required safety of the appliance (e.g. danger of overheating).

# Warning and Safety instructions

---

## Use

■ Never handle frozen food with wet hands. Your hands may freeze to the frozen food. Danger of frost burn.

■ Do not use any electrical equipment in this appliance, e.g. ice cream makers. Danger of sparking and explosion!

■ Do not take ice cubes out with your bare hands and never place ice cubes or ice lollies in your mouth straight from the freezer. The very low temperature of the frozen ice or lollies can cause frost burn to the lips and tongue.

■ Do not refreeze thawed or partially thawed food. Defrosted food should be used up as quickly as possible as food soon loses its nutritional value and goes off. Defrosted food may only be re-frozen after it has been cooked.

■ Do not store explosive materials in the appliance or any products containing propellants (e.g. spray cans). Thermostats switching on may produce sparks which could present a fire hazard. Flammable compounds could explode.

■ If storing alcohol with a high percentage proof, make sure it is tightly closed and stored upright. Danger of explosion.

■ Do not store cans or bottles containing carbonated drinks or liquids which could freeze in the freezer section. The cans or bottles could explode. Danger of injury and damage to the appliance.

■ When cooling drinks quickly in the freezer make sure bottles are not left in for more than one hour, otherwise they could burst. This could result in injury or damage.

■ Observe the "use by" dates given on food to avoid the risk of food poisoning. Storage times will depend on several factors including the freshness and quality of the food as well as the temperature at which it is stored. Follow the instructions given on food manufacturer's packaging on storage conditions required as well as the "use by" date.

■ Do not use sharp edged objects to

- remove frost and ice,
- separate frozen foods and remove ice trays. They will damage the evaporator, causing irreversible damage to the appliance.

■ Never place electric heaters or candles in the appliance to defrost it. These can damage the plastic parts.

■ Do not use defrosting sprays or de-icers, as they might contain substances which could damage the plastic parts or which could cause a build-up of gases and pose a danger to health.

■ Do not use any oils or grease on the door seals, as these will cause the seals to deteriorate and become porous with time.

# Warning and Safety instructions

---

Do not block the ventilation gap in the plinth or the top of the appliance housing unit as this would impair the efficiency of the appliance, increase the electricity consumption and could cause damage to the appliance.

The appliance is designed for use within certain climate ranges (ambient temperatures), and should not be used outside this range. The climate range for your appliance is stated on the data plate inside the appliance. Installing it in a room with too low an ambient temperature, e.g. a garage, will lead to the appliance switching off for longer periods so that it cannot maintain the required temperature.

Never use a steam-cleaning appliance to defrost or clean this appliance. Pressurised steam could reach the electrical components and cause a short circuit.

In countries where there are areas which may be subject to infestation by cockroaches or other vermin, pay particular attention to keeping the appliance and its surroundings in a clean condition at all times. Any damage which may be caused by cockroaches or other vermin will not be covered by the guarantee.

## Disposal of your old appliance

Before disposing of an old appliance, first make the door latch or lock unusable. This way you will prevent children from accidentally locking themselves in and endangering their lives.

Disconnect it from the mains. Cut off the cable and render any plug unusable.

Be careful not to damage any part of the pipework whilst awaiting disposal, e.g. by

- puncturing the refrigerant channels in the evaporator.
- bending any pipework.
- scratching the surface coating.

Splashes of refrigerant can damage the eyes.

The manufacturer cannot be held liable for damage caused by non-compliance with these Warning and Safety instructions.

# How to save energy

	<b>Normal energy consumption</b>	<b>Increased energy consumption</b>
<b>Installation site</b>	In a ventilated room.	In an enclosed, unventilated room.
	Protected from direct sunlight.	In direct sunlight.
	Not situated near to a heat source (radiator, oven).	Situated near to a heat source (radiator, oven).
	Where the ambient room temperature is ideal at approx. 20°C.	Where there is a high ambient room temperature.
<b>Temperature setting with a thermostat which is approximate (set in stages).</b>	With a medium setting of 2 to 3.	With a high setting: The lower the temperature in the freezer, the higher the energy consumption.
<b>Temperature setting with a thermostat which is exact to the degree (digital display).</b>	Cellar section 8 to 12°C	On appliances with winter setting, please make sure that the winter setting is switched off when the ambient temperature is warmer than 16 °C.
	Refrigerator section 4 to 5 °C	
	StayFresh zone just above 0 °C	
	Freezer section -18°C	
<b>Use</b>	Only open the door when necessary and for as short a time as possible.	Frequent opening of the door for long periods will cause a loss of coldness.
	Store food in an organised way.	If food is not stored in an organised way, searching for an item will mean the door is open for longer.
	Allow hot food and drinks to cool down before placing them in the appliance.	Placing hot food in the appliance will cause the compressor to run for a long time, as the appliance will have to work harder to lower the temperature.
	Store food covered or packaged.	The evaporation or condensation of liquids will cause a loss of coldness in the refrigerator.
	Place frozen food in the refrigerator to defrost.	
	Do not over-fill the appliance to allow air to circulate.	

## How to save energy

	<b>Normal energy consumption</b>	<b>Increased energy consumption</b>
<b>Defrosting</b>	Defrost the freezer when a layer of ice one centimetre thick has built up.	A layer of ice hinders the cold from reaching the frozen food, and causes an increase in energy consumption.

# Switching on and off

## Before using for the first time

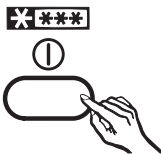
- Clean the inside of the appliance and the accessories with warm water and a little washing up liquid, and then dry with a soft cloth.

Important:

To ensure the correct functioning of the appliance, let it stand for between 1<sup>1/2</sup> and 2 hour after transporting it to its final location before connecting it to the mains.

## Switching on

The refrigerator and freezer sections are switched on together by pressing the master switch on the right hand side of the control panel.



- Press the master switch.

Bars will flash in the temperature display and a buzzer will sound. The appliance starts cooling.

You can also switch the whole appliance on by pressing the "On/Off" button for the refrigerator section on the left hand side of the control panel.

Allow the appliance to run for a few hours before placing food in it. This will ensure that the temperature is sufficiently low.

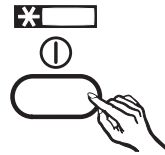
## Switching off

- Press the master switch.

The temperature display goes out and the cooling process is switched off. If this does not happen, then the safety lock is engaged.

## To switch the refrigerator section off separately

The refrigerator section can be switched off without having to switch off the freezer section. This is useful e.g. whilst on holiday.



- Press the "On/Off" button for the refrigerator section on the left hand side of the control panel.

The temperature display for the refrigerator section goes out and the refrigerator section switches off.

## To switch the refrigerator section on again



- Press the "On/Off" button on the left hand side of the display again.

Bars will appear in the temperature display for the refrigerator section. The refrigerator section starts cooling. The interior light will come on when the door is opened.

## Switching off the alarm



- Press the alarm button.

The alarm will stop. The bars will continue flashing in the temperature display until the temperature which has been set is reached.


## Cool pack

Place the cool pack in the top drawer of the freezer section. The cool pack will be at its most effective after it has been in the freezer for approx. 24 hours.

## Safety lock

The safety lock can be activated to prevent the appliance being switched off inadvertently.

### To activate the safety lock

- Press and hold the alarm button.
- Then press the Super freeze button **as well** and keep both buttons pressed in for approx. 3 seconds until the Safety lock indicator light  in the temperature display lights up and a beep sounds.

Now the appliance cannot be switched off until the lock is de-activated.

### De-activating the safety lock

- Repeat the same procedure as for activating the lock given above.

The safety lock indicator light must go out in the temperature display. The appliance can now be switched off at any time.

## Switching off for longer periods of time

If the appliance is not going to be used for a longer period of time, e.g. whilst on holiday,

- switch the appliance off,
- switch off at the wall socket and withdraw the plug,
- defrost the freezer section,
- close the stopcock for the water inlet,
- clean the appliance out and
- leave the doors ajar to air the appliance.

If, during a long absence, the appliance is switched off but not cleaned out and the doors are left shut, there is a danger of mould and odours building up inside the appliance.

# The correct temperature

---

It is very important to set the correct temperature for storing food in the appliance. Micro organisms will cause food which is not stored at the correct temperature to deteriorate rapidly. Temperature influences the growth rate of these micro organisms. Reducing the temperature reduces their growth rate.

The temperature in the appliance will rise:

- the more often the door is opened and the longer it is kept open,
  - if too much food is stored in it at once,
  - the warmer the food is which is being put into it,
  - the higher the ambient temperature surrounding the appliance.
- The appliance is designed for use in specific ambient temperatures (climate ranges). Do not use in ambient temperatures for which it is not designed.

## ... in the refrigerator

We recommend a temperature of **4 °C** in middle of the refrigerator section.

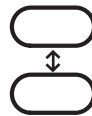
## ... in the freezer

For freezing fresh food and storing frozen food for a long time a temperature of at least **-18 °C** is needed. At this temperature the growth of micro organisms is generally halted. As soon as the temperature rises to above -10 °C, the micro organisms become active in the food again so that it cannot be kept as long. For this reason, partially defrosted or defrosted food must not be re-frozen. Food may be re-frozen once it has been cooked as the high temperatures achieved when cooking destroy most micro organisms.

## Temperature selection

The temperatures for the refrigerator section and for the freezer section are set independently from one another using the buttons to the right and left hand sides of the temperature displays.

Press the



Upper button: to raise the temperature (it gets warmer)

Lower button: to reduce the temperature (it gets colder)

The temperature being set will flash in the display.



# The correct temperature

---

When pressing the buttons the following are shown in the display:

- When first pressed: The **last temperature selected** flashes.
- Each subsequent press of the button:  
adjusts the temperature shown in 1 °C steps.
- Keeping the button pressed in:  
adjusts the temperature continually.

Approx. 5 seconds after letting go of the button the current **actual** temperature of the refrigerator or freezer is automatically shown.

If you have adjusted the temperature, **wait for approx. 6 hours if the appliance is not very full and for approx. 24 hours if the appliance is full** before checking the temperature display as it will take this long for the display to show the accurate temperature of the appliance. If, after this time, the temperature is too high or too low, you will need to adjust it again.

## Temperature range

The temperature can be adjusted:

- in the refrigerator section from 2 °C to 11 °C
- in the freezer section from -16 °C to -26 °C

The ambient temperature in the room and the installation location can affect the time it takes for the appliance to reach the lowest temperature. If the ambient temperature is too high, the appliance may not reach the lowest temperature.

## Temperature displays

During normal operation the temperature display shows the temperature in the middle of the refrigerator section and the temperature in the warmest part of the freezer section.

If the temperature in the appliance is not within the range that the appliance is able to display (i.e. if it is not between 0 °C and 19 °C in the refrigerator section, and if the temperature in the freezer section is above 0 °C), only a bar will light up in the temperature displays.

It will take between 3 and 8 hours approximately for the appliance to reach the required temperature. The time it takes will depend on where the appliance is located and the temperature setting selected.

# The correct temperature

---

The **temperature displays flash**, if

- a different temperature is being set,
- the temperature in the appliance has risen by several degrees, indicating that the appliance is warming up too much.

This loss of coldness is no cause for concern in the following circumstances:

- when the door has been left open for a while, e.g. for removing or storing a large amount of food,
- when fresh food is being frozen.

However, if the temperature remains above -18 °C for a long time, check that the frozen food has not started to defrost. Do not refreeze thawed or defrosted food! If it has started thawing, check that the food is safe to use and if it is, use it as soon as possible.

## Temperature display brightness

The appliance is supplied with the brightness of the temperature display set as low as possible. However, if the door is opened, a setting changed or if the alarm is sounding, the temperature display will appear much brighter for approx. 1 minute.

The level of brightness can be adjusted to be:

- **Brighter:** by pressing the alarm button, and whilst holding it in, press the upper button next to the temperature display for the freezer section.
- **Dimmer:** by pressing the alarm button, and whilst holding it in, press the lower button next to the temperature display for the freezer section.

Your appliance has been fitted with a warning system which ensures that the temperature in the freezer section cannot rise unnoticed and to avoid energy being wasted if the door is left open.

## Temperature alarm

An alarm will sound and the temperature display will flash if the temperature in the freezer section becomes warm. The temperature the appliance is set at determines the temperature the appliance recognises as being too warm.

The alarm will sound and the temperature display will also flash:

- when the freezer is switched on.
- if the freezer section door has been left open for a while, e.g. in order to load, re-arrange or take food out of the freezer.
- when freezing large amounts of food at once.
- if there has been a lengthy interruption to the power supply.

## Door alarm

The alarm will sound if the refrigerator section door or the freezer section door is left open for longer than approx. 60 seconds.

## Switching on the alarm system

The alarm system is always active. It does not have to be switched on manually.

## Switching the alarm off early

Once the set temperature has been reached in the freezer section, the alarm switches off and the temperature display stops flashing and lights up constantly. However, if the noise disturbs you, you can turn the alarm off before this if you wish.



- Press the alarm button.

The alarm will stop. The temperature display will continue to flash until the set temperature has been reached. The display then stops flashing and lights up constantly. The alarm system is now ready should it be needed again.

# Super cool, super freeze and dynamic cooling

---

## Super cool

The super cool function can be used to rapidly reduce the temperature in the refrigerator section to its lowest setting.

### Switching on super cool

Super cool is particularly recommended for faster chilling of large amounts of fresh food or drink.



- Press the super cool button, the super cool indicator light will come on.

The appliance works at full power to lower the temperature in the refrigerator section.

### Switching off super cool

The super cool function switches itself off automatically after approx. 6 hours. The indicator light goes out and the appliance continues running at normal power.

To save energy the super cool function can be switched off once food and drinks are sufficiently chilled.

- Press the super cool button. The super cool indicator light will go out.

The appliance continues running at normal power.

## Freezing fresh food

Fresh food should be frozen as quickly as possible. This way the nutritional value of the food, its vitamin content, appearance and taste are not impaired.

Food which takes a long time to freeze will lose more water from its cells which then shrink.

During the defrosting process only some of this water is reabsorbed by the cells. The rest collects around the food.

In practice this means that the food loses a large degree of its moisture.

If food is frozen quickly the cells have less time to lose moisture so they shrink less. As there is not so much moisture, it is easier for the food to reabsorb it during the defrosting process.

# Super cool, super freeze and dynamic cooling

## Super freeze

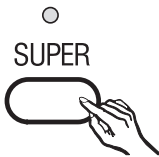
Switch the super freeze function on before putting fresh food into the freezer.

### Exceptions:

- when putting in frozen food.
- when freezing up to 2 kg fresh food daily.

### Switching on super freeze

When freezing small quantities of food in the freezer, the super freeze function should be switched on **4 – 6 hours beforehand**. When freezing the **maximum load of food** the super freeze function should be switched on **24 hours beforehand**.



- Press the super freeze button, the super freeze indicator light will come on.

The appliance works at full power to lower the temperature in the freezer section.

### Switching super freeze off

Depending on the amount of food placed in the freezer the super freeze function will switch off automatically after approx. 30 to 60 hours. The super freeze indicator light will go out and the appliance will continue running at normal power.

## Dynamic cooling


When the Dynamic cooling function is not switched on, the natural circulation of air in the appliance will cause different temperature zones in the refrigerator as the cold, heavy air will sink to the lowest section of the appliance. You should bear this in mind when placing food in the appliance (see "Using the refrigerator efficiently"). However, if you are placing a large amount of food in the refrigerator at any one time, it is a good idea to switch on Dynamic cooling. This way you can distribute the temperature inside the appliance to all areas more evenly so that all the food will be chilled to about the same degree.

The temperature is set as normal with the temperature control.

Dynamic cooling should also be selected when:

- the ambient temperature in the room is high (above approx. 30 °C), and
- the room humidity level is high.

### Switching on dynamic cooling

- Press the switch for dynamic cooling above the fan to .

The fan will start turning.

To save energy, the fan will switch itself off when the refrigerator section door is opened.

### Switching off dynamic cooling

- Press the switch for dynamic cooling to "0".

The fan will stop after a short while.

# Using the refrigerator efficiently

---

## Different storage zones

Due to the natural circulation of the air in the appliance, there are different temperature zones in the refrigerator. Cold, heavy air sinks to the lowest section of the appliance. Make use of the different zones when placing food in the appliance.

### Coldest area

The coldest area in a refrigerator is directly above the vegetable containers.

Use this for all delicate and highly perishable food, e.g.

- fish, meat, poultry,
- sausage products, ready meals,
- dishes or baked goods containing eggs or cream,
- fresh dough, cake mixtures, pizza or quiche dough,
- soft cheese and other dairy products,
- pre-packed vegetables and other fresh food with a label stating it should be kept at a temperature of approx. 4 °C.

### Warmest area

The warmest area is in the top section of the door. Use this for storing butter and cheese.

Do not store explosive materials in the appliance or any products containing propellants (e.g. spray cans). Danger of explosion.

If storing alcohol with a high percentage proof, make sure it is tightly closed, and store upright.

Do not store cooking oil in the refrigerator door.

Traces of oil can cause stress cracks to occur in the plastic components in the door.

Food must not touch the back wall of the appliance, as it may freeze to the back wall.

## Food which should not be stored in a refrigerator

Not all food is suitable for storing in the refrigerator. These include:

- Fruit and vegetables which are sensitive to cold, such as bananas, avocado pears, papaya, passion fruit, aubergines, peppers, tomatoes and cucumbers
- Fruit which is not yet ripe
- Potatoes
- Some hard cheeses, e.g. Parmesan

## Storing food correctly

Store food covered or packaged. This will prevent food smells or tastes from affecting other foods, and prevent food from drying out and also any cross-contamination of bacteria. The growth of bacteria, such as salmonella, can be avoided by setting the correct temperature and maintaining good standards of hygiene.

## Fruit and vegetables

Fruit and vegetables can be stored loose in the vegetable containers. However, you should bear in mind that some types of vegetables give off a natural gas which speeds up the rate at which food perishes. Some fruit and vegetables react strongly to this gas and should not be stored together.

### **Examples of fruit which produce a large amount of this natural gas are:**

Apples, apricots, pears, nectarines, peaches, plums, avocado pears and figs.

### **Examples of fruit and vegetables which react strongly to the natural gases given off by other types of fruit and vegetables are:**

Kiwis, broccoli, cauliflower, Brussels sprouts, mangos, honeydew melons, apples, apricots, cucumbers, tomatoes, pears, nectarines and peaches.

# Adjusting the interior fittings

---

## Moving the shelves

The shelves can be adjusted according to the height of the food.

- Pull the shelf forward as far as it will go; then lift it upwards to remove it.
- With the rear barrier facing upwards, place the shelf at the required position.

The rear barrier must face upwards to prevent food from touching the back of the appliance and freezing to it.

## Split shelf

In order to accommodate tall items in the appliance, one of the shelves is divided. The front section can be pushed under the rear section.

- Pull the front half of the glass shelf forwards slightly and then push it carefully under the rear half.

## Adjusting the door shelves

- Push the door shelf upwards, then remove it by pulling it forwards.
- Replace the door shelf at the required position. Ensure that it is securely pushed back into position.

## Moving the bottle divider

The bottle divider can be moved to the left or right to ensure that bottles are held securely in position when the door is opened and shut.



## Maximum freezing capacity

To ensure that fresh food placed in the freezer freezes through to the core as quickly as possible, the maximum freezing capacity must not be exceeded. The maximum freezing capacity for freezing within a 24 hour period is given on the data plate "Freezing capacity ....kg/24 hrs".

## Storing frozen food

When buying frozen food to store in your freezer check

- that the packaging is not damaged,
  - the use by date,
  - the temperature at which the frozen food is being stored in the shop. The length of time it can be kept is reduced if it has been stored at a temperature warmer than -18 °C.
- Buy frozen food once you have finished the rest of your shopping and wrap it in newspaper or use a cool bag or box to transport it.
  - Store it in the freezer as soon as possible.

Never re-freeze partially or fully defrosted food. Consume defrosted food as soon as possible as it will lose its nutritional value and spoil if left for too long. Defrosted food may only be re-frozen after it has been cooked.

## Home freezing

Only freeze fresh food which is in a good condition.

### Hints on home freezing

- The following types of food **are suitable** for freezing:  
Fresh meat, poultry, game, fish, vegetables, herbs, fresh fruit, dairy products, pastry, leftovers, egg yolks, egg whites and a range of pre-cooked meals.
- The following types of food **are not suitable** for freezing:  
Grapes, lettuces, radishes, sour cream, mayonnaise, eggs in their shells, onions, whole raw apples and pears.
- To retain colour, taste and vitamin C, vegetables should be blanched after they have been trimmed and washed. To blanch: bring a large saucepan of water to the boil, immerse the vegetables in the fast boiling water for 2-3 minutes, depending on variety. Remove and cool quickly in cold water. Drain and pack ready for freezing.
- Lean meat freezes better than fatty meat and can be stored for considerably longer.
- To prevent chops, steaks, cutlets or rolled meat from freezing together in solid blocks when packed, separate with a sheet of plastic freezer film.
- Do not season fresh foods or blanched vegetables before freezing. Only season cooked food lightly before freezing but care should be taken as the taste of some spices alters when frozen.

# Freezing and storing food

---

- Do not place hot foods or drinks in the freezer. This causes already frozen food to thaw and increases the energy consumption considerably. Allow hot foods and drinks to cool down before placing them in the freezer.

## Packing

- Freeze food in portions.

### Unsuitable packing material

- wrapping paper
- grease-proof paper
- cellophane
- bin bags
- plastic carrier bags

### Suitable packing material

- plastic freezer film
  - freezer bags
  - aluminium foil
  - freezer containers
- Expel as much air as possible from bags etc. before sealing them to prevent freezer burn on food.
  - Close the packaging tightly with
    - rubber bands
    - plastic clips
    - string or bag ties
    - freezer tape.

Freezer bags may also be sealed using home heat sealing kits.

- Make a note of the contents and the date of freezing on the packaging.

## Before placing food in the freezer

- When freezing more than 2 kg of fresh food, switch on the super freeze function for some time before placing the food in the freezer (see "Super freeze").

## Placing food in the freezer

Food to be frozen can be placed anywhere in the freezer section. Large quantities can be placed directly on to the evaporator plates to freeze the food quickly. To do this first take out one or several freezer drawers. The bottom drawer must not be taken out of the appliance.

Each drawer and evaporator plate can be loaded with a maximum of 25 kg.

If you remove the upper freezer drawer make sure that you do not block the ventilation slits in the back wall of the appliance. They are important for trouble-free operation of the appliance.

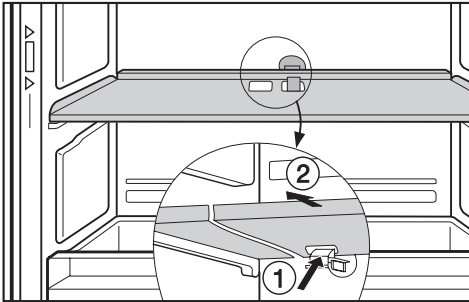
- Make sure that the packaging and containers are dry to prevent them sticking together when frozen.

When freezing, make sure that food already frozen does not come into contact with fresh food being frozen as this could cause the frozen food to begin to defrost.

# Freezing and storing food

When freezing **large items** e.g. a turkey or a large joint of meat, the separator plate in between two of the freezer drawers can be removed to give more room. This way food can be stored in the space of two drawers.

- Remove the drawers above and below the separator plate.



- Press down on the hook ① at the rear of the separator plate and pull the plate forwards and out ②.

To put the separator plate back in, push it back into place making sure it audibly clicks into position.

## Freezer calendar

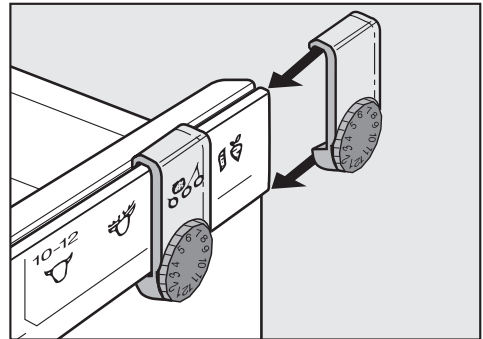
The freezer calendar on the freezer drawer gives the length of time which various foods can be stored for effectively.

Where the storage time given on the packaging differs, follow the advice on the packaging.

## Marker system for frozen food

Markers serve as a reminder of how long food has been stored.

Each freezer drawer has two slide markers with dials. The months are represented on the dials as 1 – 12.



- Slide the markers onto the guide runners on the edge of the drawers.

Use the markers to indicate the type of food being frozen and turn the dials to the appropriate number to indicate the month the food was first placed in the freezer.

## Defrosting

Frozen food can be defrosted in different ways:

- in a microwave oven,
- in an oven using the “Fan” or “Defrost” setting,
- at room temperature,
- in a fridge.

# Freezing and storing food

**Poultry** It is particularly important to observe food hygiene rules when defrosting poultry. Do not use the liquid from defrosted poultry. Pour it away and wash the container it was in, the sink and your hands.

**Fruit** should be defrosted at room temperature in its packing or in a covered bowl.

**Most vegetables** can be cooked while still frozen. Just put straight into boiling water or hot fat. The cooking time is slightly less than that of fresh vegetables.

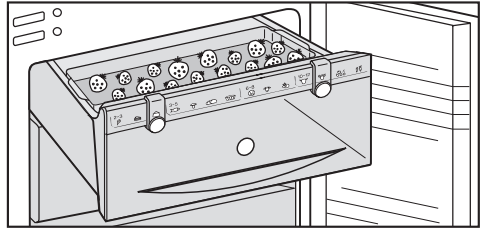
Never re-freeze partially or fully defrosted food. Consume defrosted food as soon as possible as it will lose its nutritional value and spoil if left for too long. Defrosted food may only be re-frozen after it has been cooked.

## Cooling drinks

Drinks are best cooled quickly in the refrigerator section using the Super cool function. If bottles have been placed in the freezer for rapid cooling, make sure they are not left in the freezer for more than one hour, as they could burst.

## Freezer tray

The freezer tray is useful for freezing small items such as berries and vegetables. They can be frozen individually and therefore maintain their shape when defrosted.



- Space the food out loosely on the tray.
- Hang the tray in one of the upper freezer drawers.

Leave food for 10 - 12 hours to freeze thoroughly on the tray. Transfer it to a freezer bag or suitable container once frozen. Place the bag or container in the freezer drawer.

## Cool pack

The cool pack prevents the temperature in the freezer rising too quickly in the event of a power cut.

Place the cool pack in the upper drawer directly on top of food or to save space on the freezer tray. The cool pack will be at its most effective after it has been in the freezer for approx. 24 hours.

If there is a power cut, place the cool pack directly on top of the frozen food in the upper drawer so that the food will be kept cold for as long as possible.

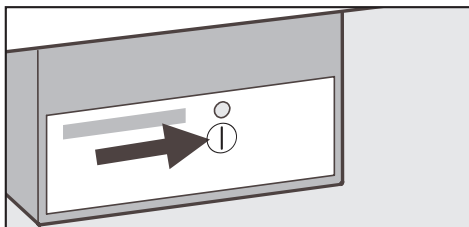
When placing fresh food in the freezer, use the cool pack to separate the fresh food from the food which is already frozen so that the frozen food does not begin to thaw.

The cool pack can also be used in a cool bag to keep food or drinks cool for a short period of time.

For the automatic ice cube maker to operate it must be connected to the mains water supply.

## Switching on

- Switch on the freezer section.
- Open the top left drawer in the freezer section.



- Press the On/Off button on the ice cube maker. The indicator light will come on.
- Close the drawer.

The drawer must be completely shut for ice cubes to be produced.

After the appliance is switched on for the first time it can take up to 24 hours for the first ice cubes to drop out of the ice cube maker and collect in the drawer.

Thereafter, when the ice cube maker is switched off and then on again it will take up to a maximum of 6 hours for ice cubes to be produced.

To ensure that the water pipes are thoroughly flushed through before use, ice cubes from the first three ice cube making processes must not be consumed.

This applies not only to when the appliance is installed for the first time but also if the appliance has been out of use for a longer period (e.g. whilst on holiday).

## Making a large amount of ice cubes

The amount of ice cubes which the appliance makes depends on the temperature in the freezer section. The lower the temperature, the more ice cubes are produced within a certain time frame.

Ice cube production is halted automatically as soon as the ice cube drawer is full.

If you require a large amount of ice cubes,

- replace the full ice cube drawer with the drawer beside it on the right.

The ice cube maker will begin to produce ice cubes again as soon as this new drawer has been placed in position and closed properly.

# Ice cube maker

---

## Switching off the ice cube maker

The ice cube maker can be switched off independently of the freezer section if you do not want the appliance to make any ice cubes.

- Press the On/Off button on the ice cube maker until the indicator light goes out.

If the ice cube maker is switched off, the ice cube drawer can be used as an extra drawer for freezing fresh food and storing frozen food.

## Refrigerator section

Condensate and frost can build up on the back wall of the refrigerator section whilst it is in use. These are automatically removed and defrosted by the appliance.

The condensate is drained away via a channel and drain hole into an evaporation system at the back of the appliance.

Ensure that the condensate channel and drain hole are kept clean and are never blocked so that condensate can flow away without hindrance.

## Freezer section

This freezer is equipped with a "Frost free" system. The freezer section defrosts automatically.

The moisture generated in the appliance collects on the condenser and is automatically defrosted and dissipated from time to time.

This automatic defrosting system enables the freezer section to remain permanently ice-free, however, the food stored in the freezer section will not defrost.

# Cleaning and care

---

Never use cleaning agents containing abrasive substances such as sand, soda, acids or chemical solvents. "Non-abrasive" cleaning agents are also unsuitable as they can cause matt areas to appear.

Make sure that water cannot get into the electronic unit or into the light.

Do not let water get into the drainage channel and drain hole when cleaning.

Do not use steam cleaning apparatus to clean the appliance. Steam could reach the electrical components and cause a short circuit.

The data plate located inside the appliance must not be removed. It contains information which is required in the event of a service call.

## Before cleaning

- Switch the appliance off by pressing the master switch.
- Take any food out of the appliance and store it in a cool place.
- Take out any removable parts e.g. shelves for cleaning.

## Cleaning the interior and accessories

Use warm water with a little washing up liquid. Accessories and shelves should all be hand-washed. The butter dish is, however, dishwasher safe.

- Clean the appliance at least once a month.
- Clean the condensate channel and drain hole frequently, so that condensate can drain away unhindered. Use a straw or similar to clear the drain if necessary.
- After cleaning, wipe the interior and accessories with a damp cloth and dry with a soft cloth. Leave the doors open to air the appliance for a short while.

## E-Cloth

A microfibre "E-Cloth" is available from the Miele UK Spare Parts Department, which is suitable for cleaning surfaces such as stainless steel, glass, plastic and chrome without the use of chemicals.

## Cleaning the ice cube tray

The ice cubes are formed in a tray before they are dropped down into the drawer.

This tray should be cleaned regularly to remove any stale ice or water.

- Connect the appliance to the electricity supply.
- Press the On/Off button on the ice cube maker. The indicator light will come on.

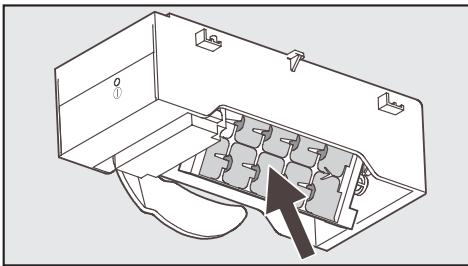


- Empty the ice cube drawer.
- Press the On/Off button on the ice cube maker and hold it pressed in for approx. 10 seconds (after about a second the ice cube maker will switch off and the indicator light will go out).

The indicator light will flash.

- Push the ice cube drawer in as far as it will go within the next 60 seconds.

The ice cube tray will then rotate into an angled position which makes it easier for cleaning:



Wait until the ice cube tray has completed this rotation before continuing.

- Then take the ice cube drawer out of the appliance and clean it.
- Now clean the ice cube tray with hot water and a little washing up liquid or sterilising fluid. Rinse thoroughly afterwards.
- Press the On/Off button on the ice cube maker.

The ice cube tray will return to its original position.

- Then put the ice cube drawer back in the appliance and close it.

The ice cube maker will begin to produce ice cubes again after a maximum of 6 hours.

If the ice cube maker has not been used for a while, it is important to clean the ice cube tray before using it again.

## Ventilation gaps

- The ventilation gaps should be cleaned on a regular basis with a brush or vacuum cleaner. A build up of dust will increase the appliance's energy consumption.

## Door seals

Do not use any grease or oil on the door seals as these will cause the seals to deteriorate and become porous over time.

The door seals should be cleaned regularly with clean water and then wiped dry with a soft cloth.

# Cleaning and care

---

## After cleaning

- Replace all shelves and accessories in the refrigerator section.
- Place food back in the refrigerator section, close the doors, and switch the appliance on.
- Switch on the Super freeze function so that the freezer section can cool down quickly. The indicator light will come on.
- Once the temperature in the freezer section is cold enough place the food back in the freezer drawers and place them back in the freezer section.
- The Super freeze function can now be switched off. The indicator light will go out.

Repairs to electrical appliances should only be carried out by a suitably qualified and competent person in accordance with local and national safety regulations. Repairs and other work by unqualified persons could be dangerous. The manufacturer cannot be held liable for unauthorised work.

Some minor problems can be corrected without contacting the Service Department.

## **... the refrigerator section or freezer section does not get cool.**

- Check whether the respective section is switched on. The relevant temperature display must be lit up.
- Check that the plug is correctly inserted in the socket and switched on.
- Check that the fuse is not defective and that the mains fuse has not blown. If it has, contact the Miele Service Department.

## **... the door to the freezer section will not open because it has been opened and closed too many times in succession.**

This is not a fault. The suction caused by opening and closing the door is preventing the door from opening. Wait a few minutes and then try again. It should now open without force.

## **... the temperature in the refrigerator section or freezer section is too low.**

- Select a warmer temperature.
- The Super freeze or Super cool function has not been switched off. The respective indicator light is still on.

## **... the appliance is switching in too frequently and for too long.**

- Check whether ventilation gap in the plinth and in the housing unit at the top have been covered over or become too dusty.
- The doors have been opened too frequently, or a large amount of fresh food has been put in at once for freezing.
- Check that the doors have been closed properly.
- Check whether a thick layer of ice has built up. If it has, then the freezer section will need defrosting.

## **... food has frozen together.**

Use a blunt instrument, e.g. a spoon handle or plastic scraper, to prise it apart carefully.

## **... there is a thick layer of ice in the freezer.**

- Check that the door has been properly closed.
- Defrost and then clean the freezer section.

Too thick a layer of ice reduces efficiency and increases energy consumption.

# Problem solving guide

---

## **... the alarm sounds and the temperature display for the freezer section flashes.**

The freezer section temperature has risen above the set temperature because

- the freezer section door has been opened too frequently, or large amounts of fresh food have been put in at once for freezing.
- the ventilation gaps are blocked.
- there has been a lengthy interruption to the power supply.

The temperature display for the freezer section will light up constantly and the alarm will stop once the temperature in the freezer section is sufficiently low.

## **... a bar is lit up or flashing in the temperature displays.**

Check the temperature displays about 6 hours after switching on the appliance. The display will not show a temperature until the temperature in the appliance has reached a certain level.

## **... the following messages show in the temperature display "F0" to "F5".**

There is a fault. Call the Service Department.

## **... "nA" appears in the temperature display.**

The freezer section temperature has risen too high at some point during the last couple of days because of a power cut.

- Press the alarm button whilst "nA" is lit up in the display.

The temperature display will show the warmest temperature recorded in the freezer section during the power cut.

Depending on the temperature displayed, you should check the condition of food in the freezer. If it has defrosted or started to defrost check that it is still safe to use and if so use it as soon as possible. Defrosted food may only be re-frozen after it has been cooked.

The warmest temperature will show in the display for about 1 minute. The display will then revert to showing the actual current temperature in the freezer section.

## **... you cannot switch the ice cube maker on.**

- Check whether the appliance is connected to the electricity supply.

## **... The ice cube maker is not producing any ice cubes.**

- Was the water inlet pipe purged of air by a qualified and competent person before the appliance was used for the first time?
- Check whether the ice cube maker is switched on.
- Check whether the freezer section is switched on.
- Check whether the water inlet is open.
- Check that the ice cube drawer has been closed properly.

## Problem solving guide

Remember it can take up to 24 hours to produce the first ice cubes.

### ... the indicator light on the ice cube maker is flashing

There is a fault. Call the Service Department.

### ... the Super freeze or Super cool indicator light is not lit up although the appliance is working.

The indicator light is defective. Call the Service Department.

### ... you cannot switch the appliance off.

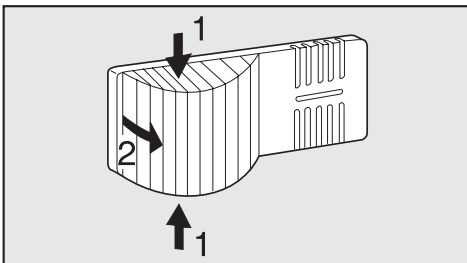
The safety lock has been activated.

### ... the interior light is not working.

- Was the refrigerator section door left open for too long? The lighting switches itself off automatically after approx. 15 minutes.

If this is not the case, then the lamp is defective:

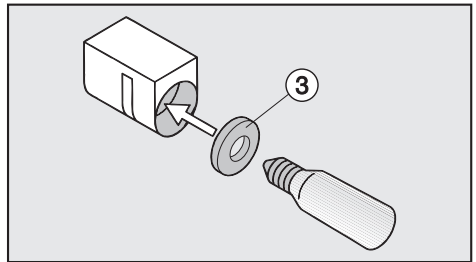
- Disconnect the appliance from the mains. Switch off at the wall and withdraw the plug from the socket, or disconnect the mains fuse or remove the screw-out fuse in countries where this is applicable.



- Press the sides of the lamp cover inwards, disengage the cover and unclip it at the rear.
- Unscrew the lamp and replace it with a new one.

Lamp specification:

220 - 240 V, max. 25 W, E 14 fitting.



- Screw the new lamp into the connection. Ensure it goes in correctly and make sure that seal (3) makes a tight fit.
- Replace the cover by clipping it in at the rear and then pressing it in at the sides.

### ... the floor of the refrigerator is wet.

The drain hole is blocked.

- Clean the condensate channel and drain hole.

If you still cannot remedy the fault having followed these suggestions, please contact the Miele Service Department.

To prevent unnecessary loss of temperature it is advisable not to open the door while waiting for the appliance to be serviced.

# Noises

Normal noises	What causes them
<b>Brrrrr...</b>	Humming noise made by the motor (compressor). This noise can get louder for brief periods when the motor is switching on.
<b>Blubb, blubb....</b>	A gurgling noise can be heard when coolant is circulating through the pipes.
<b>Click....</b>	Clicking sounds are made when the thermostat switches the motor on and off.
<b>Sssrrrrr....</b>	On multi-zone and frost-free appliances you can sometimes just hear the movement of air circulating inside the appliance.

Remember that the noise of the compressor and the coolant circulating in the system is unavoidable.

Noises that you can easily rectify	What causes them, and what can you do about them?
<b>Rattling, vibrating</b>	<b>The appliance is uneven:</b> Realign the appliance using a spirit level, by raising or lowering the screw feet underneath the appliance.
	<b>The appliance is touching another appliance or piece of furniture:</b> Move it away.
	<b>Drawers, baskets or shelves are unstable or sticking:</b> Check all removable items and refit them correctly.
	<b>Are any bottles or containers unstable or knocking against each other?</b> Separate them.
	<b>The transport cable clips are hanging loose at the back of the appliance:</b> Remove the clips.

In the event of a fault which you cannot correct yourself, or if the appliance is under guarantee, please contact:

– Your Miele Dealer

or

– The Miele Service Department (see back cover for address).

When contacting your Dealer or the Service Department, please quote the model and serial number of your appliance. This information is given on the data plate.

Please note that telephone calls may be monitored and recorded to improve our service.

# Mains water connection

## Notes on connecting to the mains water supply

Connection to the mains water supply should only be carried out by a qualified and competent person in accordance with national and local regulations.

The water quality must conform to the requirements for drinking water in the country the appliance is being installed in.

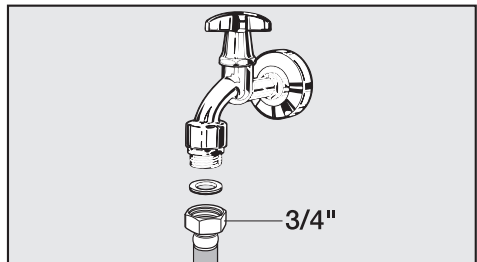
- All items used for connecting the appliance to the mains water supply must comply with the current national and local safety regulations in the country in which the appliance is being installed.
- The appliance is only suitable for connection to the cold water supply.
- The water pressure (flow rate) must be between 1.5 and 6 bar.
- The stainless steel hose is 1.5 m long. This may only be lengthened by means of a Miele extension hose. This extension hose is available from the Miele Spare Parts Department and must only be fitted by a suitably qualified fitter.
- A stopcock must be provided between the stainless steel hose and the household water supply to ensure that the water supply can be cut off if necessary.

The stopcock should be easily accessible after the appliance has been built in.

## Connection to the water inlet

Before making plumbing connections, ensure the appliance is disconnected from the mains electricity supply.

Connection to the mains water supply should incorporate a mains stopcock with  $\frac{3}{4}$ " thread.



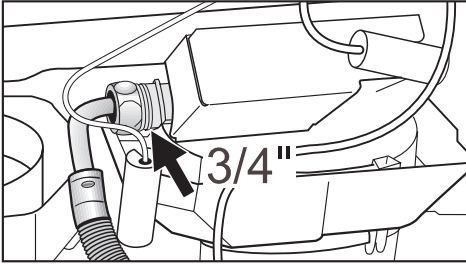
- Connect the stainless steel hose to the stopcock.
- Ensure that it is screwed into position correctly.

Before using the appliance for the first time the water inlet pipe should be purged of air by a qualified and competent person.

- To do so the stainless steel hose should be filled as far as possible with water before being connected to the solenoid valve.
- Mop up any spillages with a cloth.



## Mains water connection



- The stainless steel hose should be attached to the solenoid valve at the base of the appliance at the back.
- Ensure that the hose is fitted correctly and that it is water tight.
- Turn on the stopcock slowly and check the whole water system for leaks.
- The appliance can then be connected to the electricity supply.
- Push the appliance into its final position.

When doing so, make sure that the stainless steel hose is not kinked or damaged.

After a maximum of 24 hours the first ice cubes will drop out of the ice cube maker and collect in the drawer.

# Electrical connection

---

## Electrical connection U.K.

All electrical work should be carried out by a suitably qualified and competent person in accordance with local and national safety regulations.

The appliance is supplied with a mains cable and moulded plug ready for connection to an a.c. single phase 220-240 V 50 Hz supply.

The voltage and connected load are given on the data plate. Please ensure that these match the household mains supply. The fuse rating is quoted on the plug.

Connection should be made via a suitable switched socket which is easily accessible. For extra safety it is advisable to install a residual current device (RCD) with a trip current of 30 mA (in accordance with DIN VDE 0664, VDE 0100, Section 739).

Do not connect the appliance to the mains electricity supply by an extension lead. Extension leads do not guarantee the required safety of the appliance (e.g. danger of overheating).

The appliance must not be connected to an inverter and must not be used with a plug adapter as these can cause damage to the appliance's electronic unit.

## Non-rewireable plugs (BS 1363)

The fuse cover must be re-fitted when changing the fuse, and if the fuse cover is lost, the plug must not be used until a suitable replacement is obtained. The colour of the correct replacement cover is that of the coloured insert in the base of the plug, or the colour that is embossed in words in the base of the plug (as applicable to the design of the plug fitted).

Replacement fuses should be ASTA approved to BS 1362 and have the correct rating. Replacement fuses and fuse covers may be purchased from your local electrical supplier.

**WARNING**  
**THIS APPLIANCE MUST BE**  
**EARTHED**

This appliance must be built in, otherwise it could tip up.

## Location

This appliance should be installed in a dry, well ventilated room.

The room temperature should not go above or below the climate range for which the appliance is designed. The higher the ambient temperature of the room, the more energy the appliance requires to operate.

It should not be installed where it is exposed to direct sunlight or directly adjacent to a heat-producing appliance such as an oven or a radiator.

## Climate range

The appliance is designed for use within certain climate ranges (ambient temperatures), and should not be used outside this range. The climate range of this appliance is stated on the data plate inside the appliance.

Climate range	Ambient room temperature
SN - ST	+10 °C to +38 °C
N	+16 °C to +32 °C
SN - T	+10 °C to +43 °C

Operating in a room which is too cold will cause the cooling system to switch off for too long causing the internal temperature in the appliance to rise with the risk of food deteriorating and going off.

## Ventilation

Air at the back of the appliance gets warm. The appliance housing unit must be constructed to allow sufficient space for ventilation. Miele kitchen units are designed to provide this ventilation.

A ventilation gap of at least 50 mm depth must be allowed for behind the appliance for air to circulate.

The air inlet to the appliance is via the plinth in the housing unit.

The cross-section of the air inlet and outlet must be at least 200 cm<sup>2</sup> to ensure that air can circulate without hindrance. Otherwise the appliance has to work harder, resulting in an increase in electricity consumption.

The air inlet and outlet must not be covered or blocked in any way. They should be dusted on a regular basis.

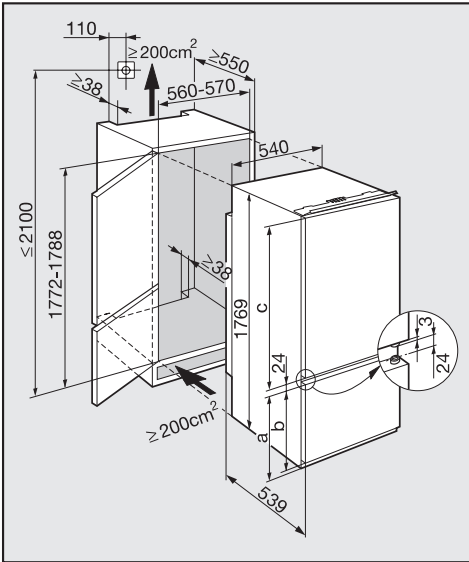
## Before installation

- Before installation, remove the sealing strip etc. from the outside of the appliance and take any accessories out of the inside of the appliance.
- Remove any cable clips from the rear of the appliance.
- Check that all parts at the back of the appliance are unhindered. Remove any hindrance.

## Building into a peninsular run

When built into a peninsular run, the rear of the building in niche must be fitted with a kitchen furniture panel.

# Building-in dimensions

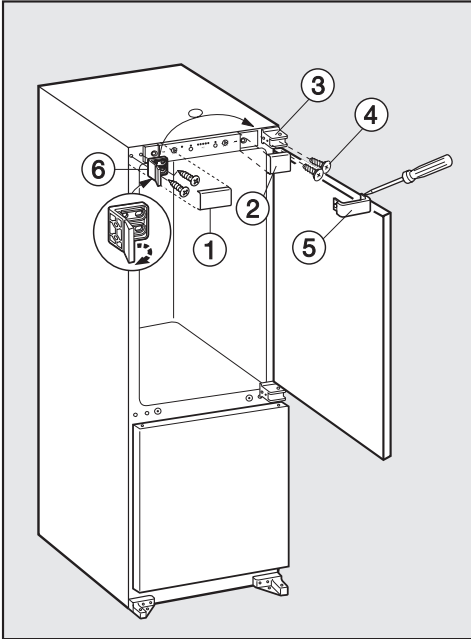


Appliance	Door dimensions in mm		
	Freezer section		Refrigerat or section
	a	b	c
KF 889 ...	681	658	1012

The break between the furniture doors must suit the break between the appliance doors!

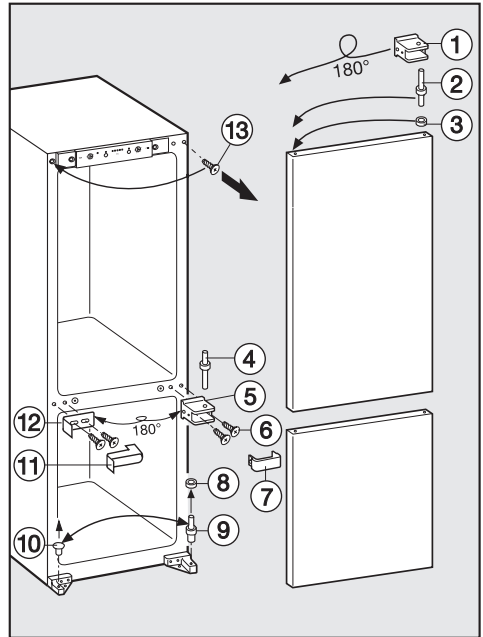
## Changing the door hinging

Before building the appliance in decide on the door hinging. If left hand door hinging is required follow these instructions.



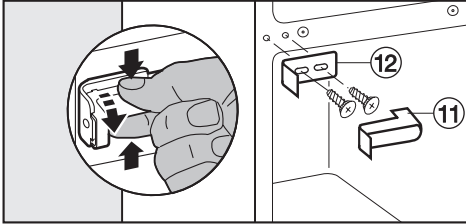
- Pull covers ① and ② off.
- Open out fixing bracket ⑥ and unscrew it. It is used later on the other side for securing the appliance into the housing niche.
- Use a pointed instrument to take off cover ⑤.
- Half unscrew the outer screw ④ and completely unscrew the inner screw on hinge plate ③. This will make the appliance door easier to take off.

- Open the upper door of the appliance a little, and push it upwards and outwards a little together with hinge plate ③. Then lift the appliance door upwards and off.

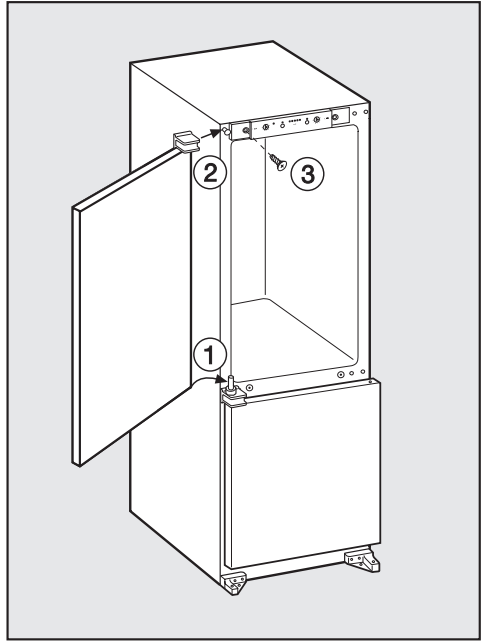


- Pull hinge plate ① and hinge pin ② out of the appliance door, turn hinge plate ① around, and refit everything on the other side of the appliance door. Do not forget to use washer ③.
- Use a pointed instrument to take cover ⑦ off.
- Remove hinge pin ④, tilt the lower appliance door and take it off.
- Use a screwdriver to remove plug ⑩.
- Replace the lower hinge pin ⑨ together with its washer ⑧ on the other side.

## Changing the door hinging



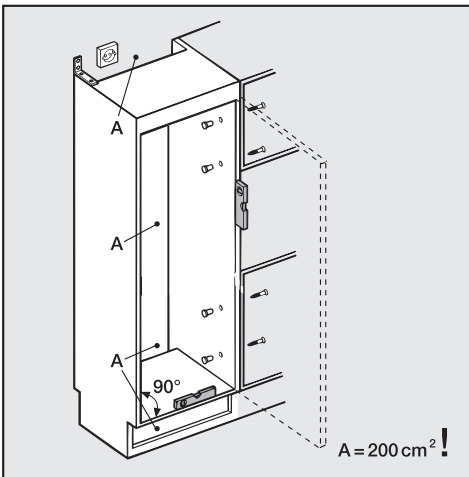
- Take cover cap ⑪ off fixing bracket ⑫ and unscrew it. It is used later on the other side for securing the appliance into the housing niche.
- Unscrew hinge plate ⑤, rotate it 180°, and fit it onto the opposite side: Screw the outside screw ⑥ in only half way on the opposite side. Then put the hinge plate on it and push it inwards. Then secure using the inner screw.
- Place the lower appliance door on the bottom hinge pin ⑨, and close the appliance door.
- Then place the top hinge pin ④ in position.
- Completely unscrew outer screw ⑬ at the top, and half screw it in to the opposite side.



- Fit the upper appliance door onto hinge pin ①, then hang the hinge plate on the previously fitted screw ②, push it inwards, and secure using the second screw ③.
- Make sure that both appliance doors are correctly aligned and adjust if necessary. Then tighten all screws in the hinge plates.
- Fit all covers and plugs.

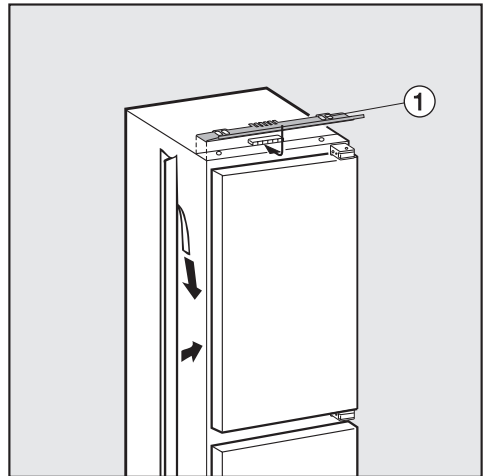
All building in instructions given are for a **right hand hinged** appliance. If you have converted the appliance to left hand hinging you will need to adapt these instructions accordingly.

## Aligning the housing unit



Before installing the appliance, the housing unit must be carefully aligned using a spirit level. The unit corners must be at right angles. Align the furniture doors with the hinges.

## Preparing the appliance

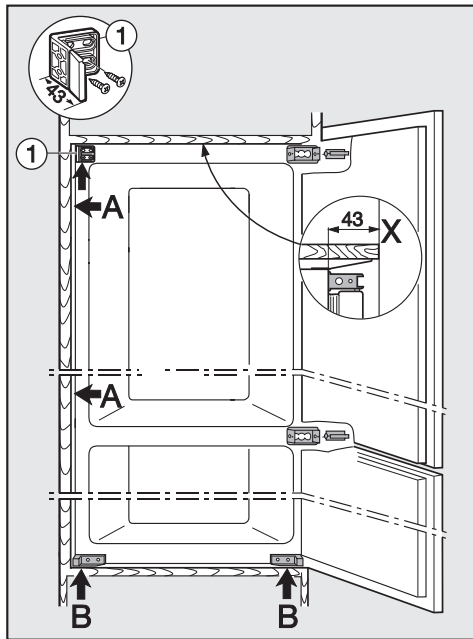


- Fit cover strip ① into position, so that it is flush with the door opening side.
- Shorten the sealing strip to the height of the niche. Stick the sealing strip to the side of the appliance on the door opening side.

# Building in the appliance

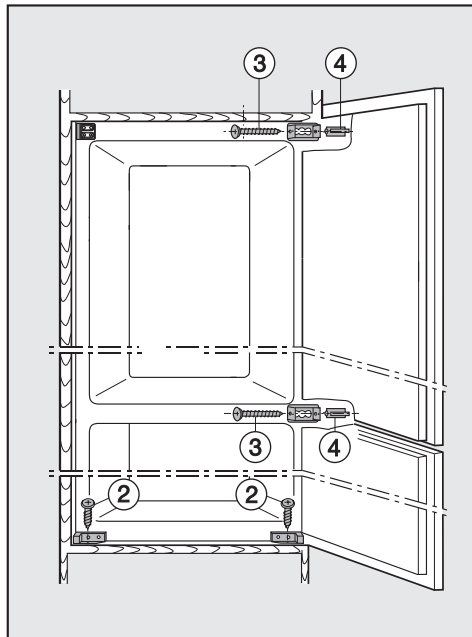
## Building in

- Push the appliance into the niche. Make sure that the mains cable does not get trapped.



- Screw fixing bracket ① back on (if this has not already been done).
- Push the appliance up against the housing on the door opening side (A), so that the sealing strip is pressed against it.
- Then push the appliance into the niche until the front edge of the hinge plates are flush with the housing unit floor (B), and the front edge of the opened fixing bracket ① is flush with the housing unit.

A gap of 43 mm must be maintained between the appliance and the housing unit on the hinge side. (Marked X on the drawing)



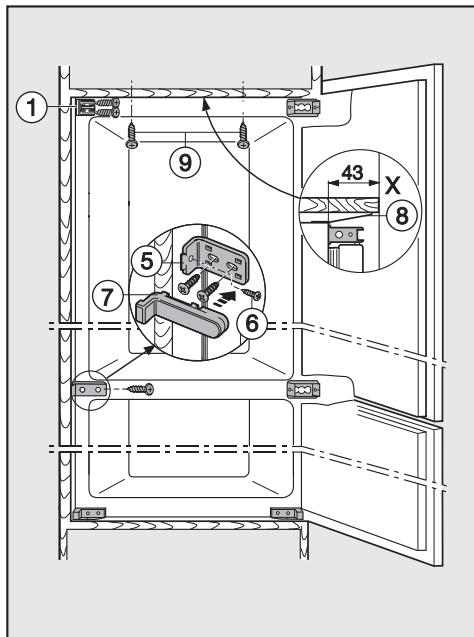
- Secure the appliance on the hinge side to the housing unit at the top and in the middle on **19 mm thick housing unit walls** by using the shorter 5 x 75 mm screws ③ and the smaller spacer sleeves ④, and on **16 mm thick housing unit walls** by using the longer 5 x 80 mm screws ③ and the longer spacer sleeves ④.



## Building in the appliance

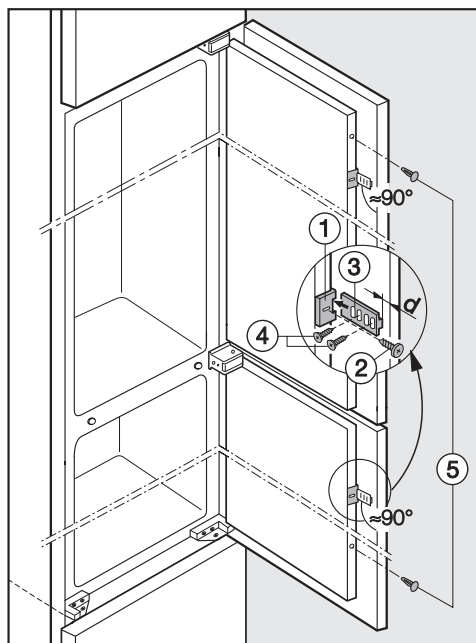
- Secure the appliance in the housing unit using the short 4 x 14 mm screws ② through the bottom hinge plates and then tighten them up.

- Secure the appliance to the top of the housing unit using the short 4 x 14 mm screws ⑨ through the cover strip before tightening them.



- Screw fixing bracket ⑤ back on (if this has not already been done).
- Secure the appliance to the housing unit wall on the door opening side using two 4 x 14 mm screws through the upper fixing bracket ① and one 4 x 14 mm screw ⑥ through fixing bracket ⑤ and then tighten them.
- Close the fixing bracket ① back up again and fit cover ⑦.
- Align cover strip ⑧ by sliding it parallel to the housing unit ceiling. The cover strip must not protrude.

## Fitting a furniture door



- Fit the door coupling parts ① to the appliance door at handle height using the 3.9 x 9.5 mm self tapping screws ② (on a larger door an extra door coupling should be fitted). Use the pre-drilled holes.
- Open the doors right out and push the coupling guides ③ into the door coupling parts.

## Building in the appliance

---

- Using the 4 x 14 mm screws ④ fit the coupling guides to the furniture door. Ensure that the distance marked d (= thickness of housing unit wall + 3 mm) to the outer edge of the furniture door is maintained.

Make sure that the coupling guides are at approx. 90° to the front edge of the door.

- Align the door couplings so that when closed, the handle side of the furniture door does not touch the housing unit wall. A **minimum distance of 1 mm** must be maintained.
- Plug any holes left in the appliance door with the stoppers ⑤ supplied.



**United Kingdom:**

Miele Co. Ltd.  
Fairacres, Marcham Road  
Abingdon, Oxon, OX14 1TW  
tel. Abingdon (01235) 554455  
Service Office: (01235) 554466  
fax (01235) 554477  
Internet: [www.miele.co.uk](http://www.miele.co.uk)

**Ireland:**

Miele Ireland Ltd.  
Broomhill Road, Tallaght, Dublin 24  
Tel: (01) 46 10 710, Fax: (01) 46 10 797  
Email: [info@miele.ie](mailto:info@miele.ie)  
Internet: <http://www.miele.ie>

**Australia:**

Miele Australia Pty. Ltd.  
A.C.N. 005635398  
1 Gilbert Park Drive  
Knoxfield, VIC 3180  
Telephone: (03) 9764 7100  
Fax: (03) 9764 7129  
Internet: [www.miele.com.au](http://www.miele.com.au)

**Distributor New Zealand:**

Steelfort Engineering Company. Ltd.  
500 Rangitikei Street  
Palmerston North, Priv. Bag 11045, NZ  
Telephone: (06) 350 1350  
Fax: (06) 356 1507

**South Africa:**

Miele (Pty) Ltd  
63 Peter Place  
Bryanston 2194  
P.O. Box 69434  
Bryanston 2021  
Tel.: (011) 548 1900  
Telefax (011) 548 1935  
Internet: [www.miele.co.za](http://www.miele.co.za)  
E-mail: [info@miele.co.za](mailto:info@miele.co.za)

**Singapore:**

Miele Southeast Asia  
Miele Pte. Ltd.  
163 Penang Road  
# 04 - 02/03 Winsland House II  
Singapore 238463  
Tel : +65-67351191  
Fax: +65-67351161  
Email: [infosea@miele.com.sg](mailto:infosea@miele.com.sg)

**Hong Kong:**

Miele (Hong Kong) Limited  
AIA Plaza, 24<sup>th</sup> Floor  
18 Hysan Avenue  
Causeway Bay  
Hong Kong  
Tel.: (852) 2610 1331  
Fax: (852) 2610 1013  
E-mail: [mielehk@miele.com.hk](mailto:mielehk@miele.com.hk)

## Free Manuals Download Website

<http://myh66.com>

<http://usermanuals.us>

<http://www.somanuals.com>

<http://www.4manuals.cc>

<http://www.manual-lib.com>

<http://www.404manual.com>

<http://www.luxmanual.com>

<http://aubethermostatmanual.com>

Golf course search by state

<http://golfingnear.com>

Email search by domain

<http://emailbydomain.com>

Auto manuals search

<http://auto.somanuals.com>

TV manuals search

<http://tv.somanuals.com>