

Operating instructions



Heat-pump dryer T 8164 WP

en-GB

To avoid the risk of accidents **or damage to the appliance**, it is essential to read these instructions before it is installed and used for the first time.

M.-Nr. 09 557 600

Caring for the environment

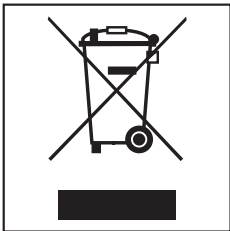
Disposal of the packing material

The packaging is designed to protect the appliance from damage during transportation. The packaging materials used are selected from materials which are environmentally friendly for disposal and should be recycled.

Recycling the packaging reduces the use of raw materials in the manufacturing process and also reduces the amount of waste in landfill sites.

Disposal of your old appliance

Electrical and electronic appliances often contain valuable materials. They also contain materials which, if handled or disposed of incorrectly, could be potentially hazardous to human health and to the environment. They are, however, essential for the correct functioning of your appliance. Please do not therefore dispose of it with your household waste.



Please dispose of it at your local community waste collection / recycling centre.

Ensure that it presents no danger to children while being stored for disposal.

Energy saving tips

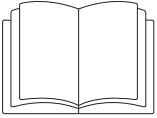
To avoid unnecessarily long drying times and high consumption of energy:

- Make sure that your laundry is thoroughly spun before drying. The higher the spin, the greater the savings that can be made in energy and time during drying.
- Load according to the optimum amount of laundry recommended for the programme being used. Underloading is uneconomical. Overloading gives a poorer quality of drying and may cause unnecessary creasing.
- Make sure the room temperature is not too high. If there are other heat producing appliances in the room in which the dryer is located, make sure the room is well ventilated and switch the other appliances off, if possible.
- After every cycle remove the fluff from the surfaces of the fluff filters.

Caring for the environment	2
Warning and Safety instructions	5
Operating the tumble dryer	14
Control panel.....	14
Before using for the first time.....	15
Laundry care	16
How to dry correctly	17
Brief instructions.....	17
Changing the programme sequence	19
Programme overview	20
Cleaning and care	23
Emptying the condensed water container.....	23
Make sure you clean all the filters at the correct intervals.....	24
Cleaning the fluff filters.....	25
Cleaning them whilst dry.....	25
Cleaning them with water.....	26
Replacing them.....	26
Fine filter.....	27
Removing the fine filter.....	27
Cleaning the fine filter.....	27
Cleaning the cover for the fine filter.....	28
Cleaning the heat exchanger.....	28
Replacing.....	29
Tumble dryer.....	29
Problem solving guide	30
Check and fault messages.....	30
Unsatisfactory drying results.....	32
Other problems.....	33
Changing the lamp.....	35
After sales service	36
Repairs.....	36
Accessories.....	36
Guarantee.....	36
Installation and connection	37
Front view.....	37
Rear view.....	38

Contents

Transporting the dryer.....	38
Installation.....	39
Building under a continuous worktop/in a row of kitchen units.....	39
Levelling the dryer.....	40
Before moving the tumble dryer again (e.g. when moving house).....	40
Washer-dryer stack.....	40
Consumption data	42
Technical data	43
Settings	45
Altering the residual moisture level in the Cottons programme.....	45
Altering the residual moisture level in the "Minimum iron" programme.....	46
Anti-crease.....	47
Switching the buzzer on/off.....	48
Altering the standard drying level in the "Automatic plus" programme.....	49
Standby.....	50
Adjusting the dryer's electronics for very soft water.....	52



- ▶ It is essential to read these instructions.

This tumble dryer complies with current safety requirements. Inappropriate use can, however, lead to personal injury and damage to property.

To avoid the risk of accidents and damage to the tumble dryer, please read these instructions carefully before using it for the first time. They contain important information on its safety, installation, use and maintenance.

Keep these instructions in a safe place and ensure that new users are familiar with the content. Pass them on to any future owner.

Correct application

- ▶ This tumble dryer is intended for use in domestic households and similar working and residential environments.
- ▶ This tumble dryer is not intended for outdoor use.
- ▶ It must be used only as a domestic appliance to dry items which have been washed in a water solution and which are marked on the manufacturer's care label as being suitable for tumble drying. If using dry cleaning kits, do so at your own risk, and follow the instructions provided on the packaging. Any other applications may be dangerous. Miele cannot be held liable for damage resulting from incorrect or improper use or operation.

Warning and Safety instructions

▶ This tumble dryer can only be used by people with reduced physical, sensory or mental capabilities, or lack of experience or knowledge, if they are supervised whilst using it or have been shown how to use it in a safe way and understand and recognise the consequences of incorrect operation.

Safety with children

▶ Children under 8 years of age must be kept away from the tumble dryer unless they are constantly supervised.

▶ Children 8 years and older may only use the tumble dryer unsupervised if they have been shown how to use it safely and recognise and understand the consequences of incorrect operation.

▶ Children must not be allowed to clean or maintain the tumble dryer unsupervised.

▶ Please supervise children in the vicinity of the tumble dryer and do not let them play with it.

Technical safety

▶ Before setting up the tumble dryer, check it for any externally visible damage.

Do not install or use a damaged tumble dryer.

▶ Before connecting the tumble dryer, ensure that the connection data on the data plate (fuse rating, voltage and frequency) match the mains electricity supply. If in any doubt, consult a qualified electrician.

▶ The electrical safety of this tumble dryer can only be guaranteed when correctly earthed. It is essential that this standard safety requirement is met. If in any doubt, please have the household wiring system tested by a qualified electrician. Miele cannot be held liable for the consequences of an inadequate earthing system (e.g. electric shock).

▶ Do not connect the tumble dryer to the mains electricity supply by an extension lead. Extension leads are a fire hazard and do not guarantee the required safety of the tumble dryer.

▶ If the electrical connection cable is faulty it must only be replaced by a Miele authorised service technician to protect the user from danger.

▶ Unauthorised repairs could result in unforeseen dangers for the user, for which Miele cannot accept liability. Repairs should only be undertaken by a Miele approved service technician, otherwise any subsequent damage will not be covered by the guarantee. Ensure current is not supplied to the tumble dryer until after maintenance or repair work has been carried out.

▶ Faulty components must only be replaced by genuine Miele original spare parts. The manufacturer can only guarantee the safety of the appliance when Miele replacement parts are used.

Warning and Safety instructions

- ▶ The tumble dryer must be isolated from the electricity supply in the event of a fault and during cleaning and maintenance.
- ▶ This tumble dryer must not be used in a non-stationary location (e.g. on a ship).
- ▶ Do not make any alterations to the tumble dryer, unless authorised to do so by Miele.
- ▶ Heat pump technology and refrigerant:
The heat pump in this tumble dryer uses a refrigerant which is condensed by the compressor and led in a closed circuit through the heat exchanger unit where heat exchange with the circulating drying air takes place.
 - The humming noises caused by the heat pump are normal and do not impair the efficient functioning of the dryer.
 - The refrigerant is not flammable or explosive.
 - In general it is not necessary to leave the dryer standing for any length of time before it is connected to the mains provided it has been transported and installed correctly (see "Installation and connection - Transporting the dryer"). However, if it has not been transported as described, ensure that the recommended standing time prior to first operation is observed. Otherwise the heat pump can be damaged.

Warning and Safety instructions

- ▶ Please observe all instructions given in "Installation and connection" and in "Technical data".
- ▶ The accessibility of the plug must be always ensured, in order to separate the tumble dryer from the mains.
- ▶ Do not block the gap between the bottom of the tumble dryer and the floor with plinth facings, deep pile carpet etc. This would hinder a sufficient flow of air to the dryer.
- ▶ Make sure the dryer door can be opened without hindrance after installation.

Correct use

- ▶ The maximum load for this tumble dryer is 7.0 kg (dry weight). The maximum recommended loads for individual programmes are given in the Programme chart.
- ▶ To prevent the risk of fire, do not connect the tumble dryer via a controllable socket (e.g. a timer or a peak-load switch-off device). If the drying programme is interrupted before the end of the cooling down phase, laundry could self-ignite.

Warning and Safety instructions

- ▶ To prevent the risk of fire, the following textiles must not be dried in this tumble dryer:
 - Items which have not been washed.
 - Items, such as workwear, which have not been thoroughly cleaned and which are still soiled with grease, oil or other deposits (such as cosmetics, lotions etc). If items have not been thoroughly cleaned there is a danger that these might ignite when heated, even after they have been removed from the dryer at the end of the programme.
 - Items (e.g. mops and floor cloths) which have been treated with inflammable cleaning agents or which contain residues of acetone, alcohol, benzene, petrol, kerosene, stain remover, turpentine, wax and wax remover or other chemicals.
 - Items which have been splashed with hair lacquer, hair spray, nail varnish remover or similar substances.

When washing such heavily soiled items ensure that you use sufficient detergent and select a high temperature. If in doubt, wash the items several times.

- ▶ Remove all items from pockets (e.g. lighters, matches).
- ▶ **Warning:** Do not switch the dryer off before the drying programme has finished. If this is done, the laundry must be hung up or spread out to cool it down.
- ▶ Fabric conditioner and similar products must be used according to the instructions on the manufacturer's packaging.

Warning and Safety instructions

- ▶ To prevent the risk of fire, the following textiles must not be dried in this tumble dryer:
 - Items which have been cleaned using chemicals (e.g. professional dry-cleaning agents).
 - Fabrics which contain a large proportion of rubber, foam rubber or rubber-like materials. For example, products made from latex foam rubber, shower caps, waterproof textiles, rubberised articles and items of clothing and pillows with foam rubber filling.
 - Fabrics which contain damaged padding or fillings (e.g. pillows, jackets). When damaged, the filling can get out with the risk of it igniting in the dryer.

- ▶ In many programmes, the heating phase is followed by a cooling down phase to ensure that the items are not too hot to handle when you remove them (this also avoids the danger of the laundry self-igniting). The programme is not finished until the cooling down phase has been completed.

As soon as the programme has finished, remove all laundry from the drum.

- ▶ Do not let anyone sit or lean on the door, as this can cause the tumble dryer to tip up.

- ▶ Always close the door after use. This way you will avoid the danger of:
 - Children climbing onto or into the dryer or hiding things in it.
 - Pets or other small animals climbing into it.

Warning and Safety instructions


- ▶ The tumble dryer must not be used
 - without the fluff filters in place or if the fluff filters are damaged.
 - without the fine filters in place or if the fine filters are damaged.

This would cause an excessive build-up of fluff which in turn would cause a fault.

- ▶ After every cycle remove the fluff from the surfaces of the fluff filters.
- ▶ The fluff filters and the fine filters must be thoroughly dried after cleaning. Do not replace them if they are damp or wet. Damp or wet filters could cause operational faults.
- ▶ Do not install the tumble dryer in a room where there is a risk of frost occurring. At temperatures around freezing point the tumble dryer may not be able to operate properly. There is a risk of damage if the condensed water is allowed to freeze in the pump and hoses
- ▶ Condensed water is not drinking water. It can cause health problems in both people and animals if consumed.
- ▶ Always keep the area around the tumble dryer free of dust and fluff. Dust drawn into the tumble dryer can cause blockages in the condenser unit over time.
- ▶ The tumble dryer must not be hosed down.

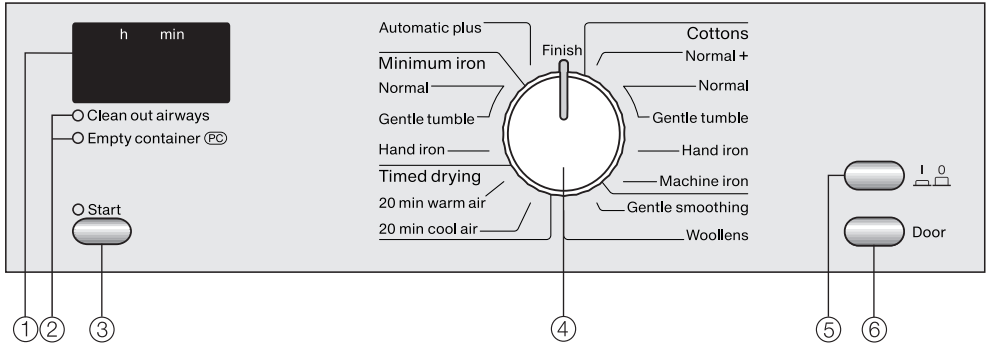
Accessories

- ▶ Only use genuine Miele original spare parts and accessories with this appliance. If non-Miele parts are used, guarantee, performance and product liability claims may be invalidated.
- ▶ The tumble dryer can also be combined with a Miele washing machine in a washer-dryer stack. The appropriate "WTV" stacking kit (available to order) to match your dryer is required.
- ▶ If you order the correct plinth for this tumble dryer (available from Miele as an optional accessory - depending on country), make sure it is the correct one.

 Miele cannot be held liable for damage caused by non-compliance with these Warning and Safety instructions.

Operating the tumble dryer

Control panel



① Display *h min*

See the following page for more information.

② Indicator lights

See "Problem solving guide"

The PC check light is also used by service technicians to run diagnostic checks on your tumble dryer and may be used to update programming data in the future.

③ Start button

Press the Start button to start a programme


The Start indicator light will flash as soon as the programme can be started. It lights up constantly once the programme has started.

④ Programme selector

The programme selector can be turned clockwise or anti-clockwise.

⑤ On/Off button

To switch the appliance on or off / to interrupt a programme.

 or the programme duration will light up as confirmation that the tumble dryer has been switched on.

⑥ Door button

Pressing this button will open the door even when the appliance is not switched on at the mains.

Display h min

The display shows:

- the programme duration (*h min* = hours and minutes)
- Check and fault messages
- Settings
The settings are used to tailor the dryer's electronics to suit your individual requirements.
See "Settings" for more information.

Estimated time remaining


After the start of a programme the estimated programme duration will appear in the *h min* display in hours and minutes (estimated time remaining). The only exception to this are the *Timed drying* programmes which last for 20 minutes.

The estimated duration (time remaining) will appear in the display. The following factors all affect the estimated time remaining: residual moisture content after spinning; type of fabric; size of load; room temperature; fluctuations in power supply. The electronics continually assess conditions in the appliance and adjust the estimated time remaining for a more accurate reading. Because of this, the time displayed can alter during the course of a programme. Programmes can also finish earlier than expected, if, for example, particularly fine fabric is being dried, the load is very small or items were partially dry beforehand.

Drum lighting








If the dryer is switched on at the mains and the door is opened, the drum lighting will come on. It will go out a few minutes later to save energy.

Before using for the first time

 Ensure that the dryer is installed and connected to the electricity supply correctly. If the tumble dryer has not been transported as described in "Installation and connection" then it must be left to stand for at least 1 hour before it is connected to the electricity supply.

Laundry care

Care symbols

Drying	
	Normal/low temperature Drying is carried out at a low temperature in every programme in this dryer, so you do not need to sort your garments according to whether they have the  symbol.
	Do not tumble dry
Ironing	
	Very hot
	Hot
	Warm
	Do not iron

Tips on drying

- Always observe the maximum recommended loads given in the "Programme chart". Never overload the drum.

Overloading can cause unnecessary wear and tear to the laundry, give a disappointing drying result and cause more creasing.

- Open jackets so that they can dry evenly
- Do not put soaking wet items into the tumble dryer to dry them; spin them thoroughly for at least 30 seconds after washing.
- Use the *Automatic plus* programme for drying mixed loads of cottons and minimum iron fabrics

- Pure linen should only be machine dried if specified as suitable by the manufacturer on the garment care label, as the surface of the fabric may otherwise become rough.
- Loopknit garments (e.g. T-shirts and underwear) tend to shrink depending on their quality. Do not over-dry these textiles. When purchasing these garments it is advisable to take their shrinkage properties into account.
- Minimum iron fabrics tend to crease more, the larger the load. This is also the case for garments made from very fine weave fabrics, such as shirts or blouses. Make sure you select a suitable programme. If in doubt, divide the garments into smaller loads and select *Gentle tumble* or *Gentle smoothing*.
- Starched laundry can be dried in the tumble dryer. To achieve the usual finish, double the amount of starch should be used.
- New dark coloured garments should be washed and dried separately from light coloured garments to avoid the danger of colours running and discolouring other garments or even plastic components in the dryer. Dark coloured fibres can also settle on light coloured garments and vice versa.

Brief instructions

The headings numbered (1, 2, 3 ...) show the operating sequence and can be used as a brief guide to using your dryer.

1 Sort the laundry

To ensure an even drying result sort laundry according to:


- ... the drying level required
- ... the type of fibre or weave
- ... size
- ... the moisture content after spinning.

⚠ Make sure that objects e.g. detergent dispensing balls have been removed from the laundry. They could melt, and cause damage to the dryer or the laundry.

- Check seams and stitching to ensure that padding and linings are intact.
- Fasten duvet covers, pillow cases etc. to prevent small items from being rolled up inside them.
- Close any zips, fasten hooks and eyes etc before washing.
- Fasten any loose belts and ties
- Underwiring and collar stiffeners: Any loose wiring in bras, shirt collar stiffeners, etc. should be removed or sewn in.

2 Turn on the tumble dryer

The tumble dryer may be switched on after loading, saving energy as the light will not come on.

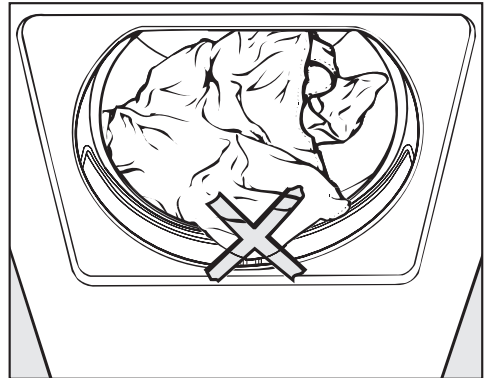
- Switch the dryer on by pressing the On/Off  button in.

3 Load the tumble dryer

- Press the *Door* button to open the door.
- Unfold the laundry and load loosely into the drum.

Do not overload the drum. See the "Programme chart" for recommended loads for each programme. Overloading can cause unnecessary wear and tear to the laundry and give a disappointing drying result.

- Before closing the door make sure the fluff filter is correctly positioned in the door.

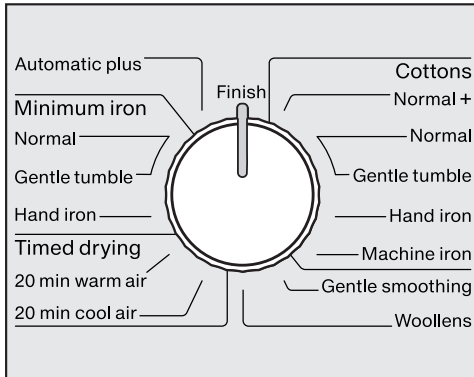


Check the laundry is right inside the drum so that it cannot get trapped or damaged when the door is shut.

- Shut the door either with a gentle swing, or lean against it and push it shut.

How to dry correctly

④ Select a programme



- Turn the programme selector clockwise or anti-clockwise to the required programme.

⑤ Start the programme.

- Press the *Start* button.

The indicator light for the *Start* button will now light up constantly.

Notes

- The programme duration shown in the display is an estimation and can vary.
- This dryer measures residual moisture content in the laundry to ensure perfect drying results. However, if dry laundry is loaded into the drum, it will be dried/aired for a set duration.

Avoid overdrying items of laundry as these can become damaged.

⑥ Remove the laundry when the programme has finished

There is a cooling down phase at the end of the drying sequence. The programme is not finished until \square lights up and the buzzer sounds.

The drum will continue to rotate at intervals for up to two hours to prevent laundry creasing, if you do not wish to remove it immediately (anti-crease phase). There is no anti-crease phase at the end of the Woollens programme. The duration of the cooling down phase is variable; see "Settings".

- Press the *Door* button.
- Open the door.
- Remove the laundry.

Check that all items have been removed from the drum. If items are left in the dryer, they could be damaged by overdrying when the dryer is next used.

- Press the \square button to switch the dryer off.
- Clean the fluff filters
- Close the door.
- Empty the condensed water container.

Changing the programme sequence

Once a programme has started

- changing a programme once it has started

You cannot change to another programme once a programme has started (this prevents unintentional alterations).

If you try to change a programme, *-D-* flashes until the original programme is reset.

You will need to cancel the current programme before you can select a new one.

Cancelling a programme


- Turn the programme selector to *Stop*.

The items will be cooled down, depending on the temperature reached and how long they have been dried for.

The programme is not finished until *D* lights up.

- Switch the dryer off and then on again.
- Select and start a new programme immediately.

Adding or removing laundry after a programme has started

 Restart the programme **immediately** after adding or removing items. Otherwise remove all items and spread them out to cool down completely.

- Press the *Door* button.
- Add or remove items.
- Close the door.
- Press the *Start* button.

Programme duration

Altering the programme sequence can cause adjustments in the *h min* time remaining display.

Programme overview

Cottons		Max. load: 7.0 kg*
Normal+, Normal**		
Use for	Single and multi-layered cotton fabrics such as towelling, jerseywear, T-shirts, underwear, flannelette bed linen.	
Note:	The <i>Cottons normal</i> programme is the most energy-efficient for drying cotton items with normal residual moisture levels.	
Normal - Gentle tumble		
Use for	Items which are not suitable for drying with a great deal of mechanical action. When this option is selected the drum will rotate less frequently.	
Note:	– The programme duration is longer than for the <i>Normal</i> drying level. – If in doubt, reduce the size of the load.	
Hand iron, Machine iron		
Use for	Cotton or linen fabrics requiring further processing, e.g.: table linen, bed linen, starched laundry.	
Note:	To prevent laundry from drying out it should be rolled up until you are ready for ironing.	

* Weight of dry laundry

** Note for Test Institutes:

Test programme in accordance with Regulation 392/2012/EU for energy labelling measured in accordance with EN 61121.

Programme overview

Minimum iron		Max. load: 3.5 kg*
Normal, Hand iron		
Use for	Minimum iron items made of cotton, synthetic or mixed fibre, e.g.: sweaters, shirts, blouses, skirts and table cloths.	
Note:	In the Minimum iron programme with the <i>Hand iron</i> drying level, items are dried with very little creasing, depending on fabric type and amount of laundry.	
Normal - Gentle tumble		
Use for	Items which are not suitable for drying with a great deal of mechanical action. When this option is selected the drum will rotate less frequently.	
Note:	<ul style="list-style-type: none"> – The programme duration is longer than for the <i>Normal</i> drying level. – If in doubt, reduce the size of the load. 	
Automatic plus		Max. load: 3.5 kg*
Use for	Mixed loads of garments suitable for the <i>Cottons</i> and <i>Minimum iron</i> programmes. Sort according to colour.	
Timed drying		Max. load: 7.0 kg*
20 min warm air		
Use for	<ul style="list-style-type: none"> – Multi-layered fabrics whose layers have different drying characteristics, e.g. jackets, pillows. – For drying individual items, e.g. bath towels, swimwear, tea-towels and small loads. 	
20 min cool air		
Use for	Any item which only needs airing	

* Weight of dry laundry

Programme overview

Gentle smoothing		Max. load: 1.0 kg*
Use for	<ul style="list-style-type: none">– Cotton and linen fabrics– Minimum iron items made of cotton, synthetic or mixed fibre, e.g. trousers, jackets, shirts.	
Note:	<ul style="list-style-type: none">– Smooths out creasing caused during the spin cycle in the washing machine.– Items are not dried completely in this programme.– Remove items as soon as the programme has finished and leave to finish drying at room temperature.	
Woollens		Max. load: 2.0 kg*
Use for	Woollen garments and fabrics containing wool blends, e.g. pullovers, jackets.	
Note:	<ul style="list-style-type: none">– Wool and wool blend items are only fluffed up; they are not dried completely.– Remove garments as soon as the programme has finished and leave to finish drying at room temperature.	

* Weight of dry laundry

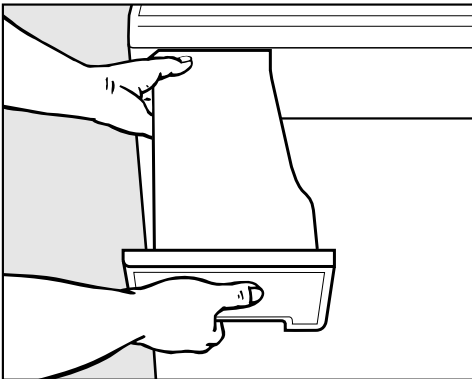
Emptying the condensed water container

The condensed water is collected in the condensed water container.

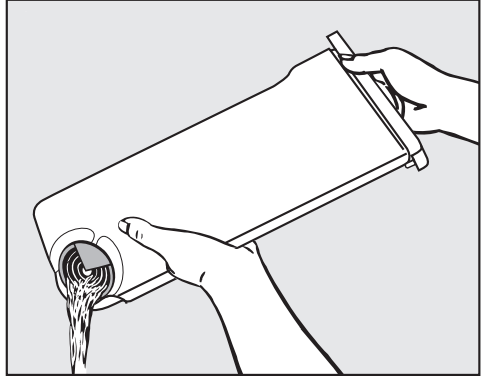
Empty the condensed water container after every drying programme.

The *Empty container* indicator light will come on if the maximum level of the condensed water container is reached.

The indicator light will go out when the door is opened and closed again.



- Pull out the condensed water container.
- To prevent water running out, hold it at the front and towards the back and keep it in a horizontal position when carrying it.



- Empty the container.
- Replace the container in the dryer.

⚠ Condensed water can cause health problems in people and animals.
Do not drink it.


Condensed water can be put to household use (e.g. used in a steam iron or humidifier). To ensure that any residual particles of fluff in the condensed water are removed before use, pass it through a fine sieve or paper filter first.

Cleaning and care

Make sure you clean all the filters at the correct intervals

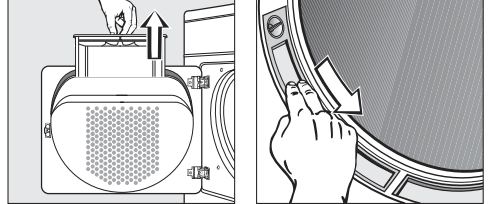
This tumble dryer has a multistage filter system, consisting of the fluff filters in the door and the door opening and additional fine filters.

- The dryer must not be used without the fluff filters or fine filter in place.
- Make sure that the fluff filters and the fine filter are not damaged. Replace them immediately, if they are damaged in any way (available as optional accessories).

 Failure to do so could cause an excessive build-up of fluff which in turn could cause a fault!

When to clean the fluff filters

Clean the fluff filters after each drying programme

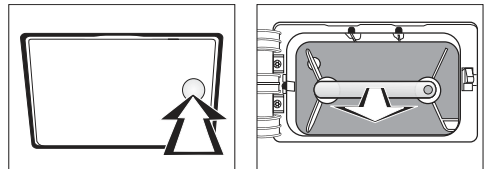


The fluff which is created by the drying process is collected by the fluff filters in the door and the door opening.

- See "Cleaning the fluff filters"

When to clean the fine filter

The fine filter only needs to be cleaned when the *Clean out airways* indicator light comes on.



The fine filter is behind the service panel on the bottom left. It collects finer fluff, hair and detergent residues which have got through the surfaces of the fluff filters in the door and the door opening.

- See "Fine filter"

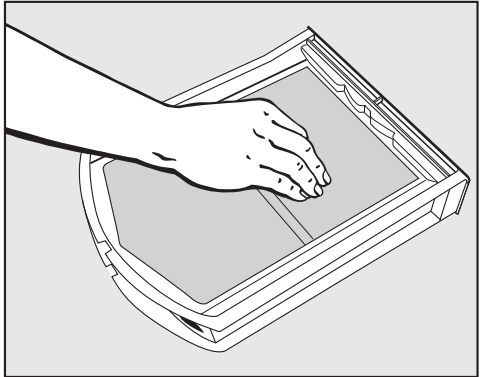
Cleaning the fluff filters

When to clean

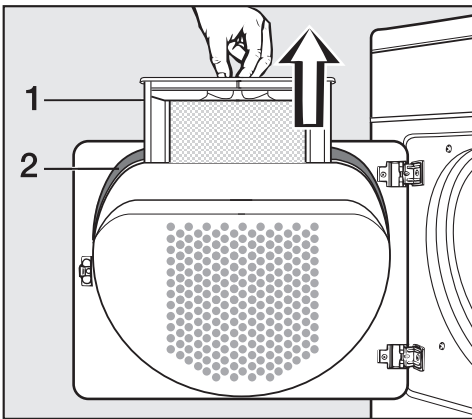
Clean the surfaces of the fluff filters in the door and the door opening after each drying programme.

Cleaning them whilst dry

Tip: You can use a vacuum cleaner to remove the fluff.

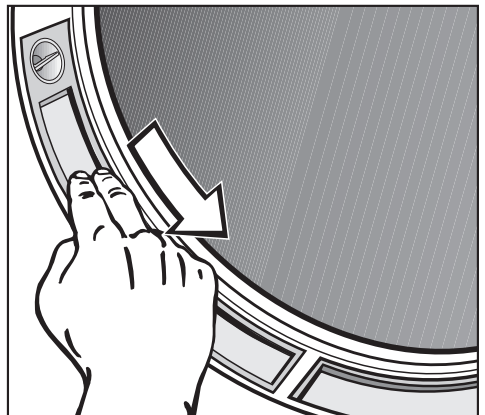


- Use your fingers or a vacuum cleaner to remove the fluff from the surface of the filter.



- 1 Fluff filter
- 2 Door seal

- Open the door and pull the fluff filter (1) out of the door as illustrated.
- Remove any fluff from the hollow part of the door with a bottle brush or a vacuum cleaner.
- Also clean the door seal (2) with a damp cloth.



- Use your fingers or a vacuum cleaner to remove the fluff from the two fluff filters in the door opening.
- Once clean, push the filter back into the door holder until it clicks into position. Ensure it is facing the correct way.
- Close the door.

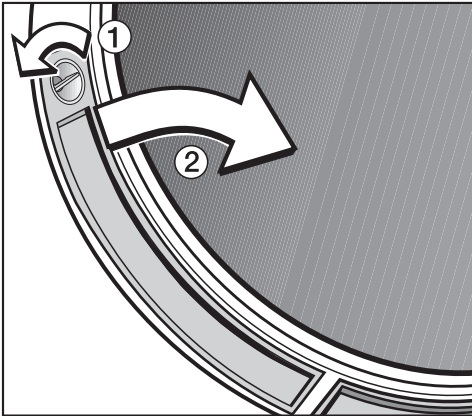
Cleaning and care

Cleaning them with water

If there is a great deal of compacted fluff on any of the filters, they can be removed and cleaned under hot running water.

- Open the door and pull the fluff filter out of the door as described previously.

The two filters in the door opening can also be removed if you need to clean them with water.



- Turn the dial ① on the left and right fluff filter until you feel it click.
- Pull the filter out of the door opening by the dial as shown ②.
- Rinse all the filters under hot, running water.
- Dry the fluff filters thoroughly with care.
- Clean the area underneath the filters, e.g. with a vacuum cleaner.

Replacing them

⚠ Do not replace them if they are damp or wet. Damp or wet filters could cause operational faults.

- Push the large filter back into the door holder until it clicks into position. Ensure it is facing the correct way.
- Replace the filters in the door opening by first inserting them at the bottom and then pressing them into place at the top.
- Lock both dials (you will feel them click into position).

Fine filter

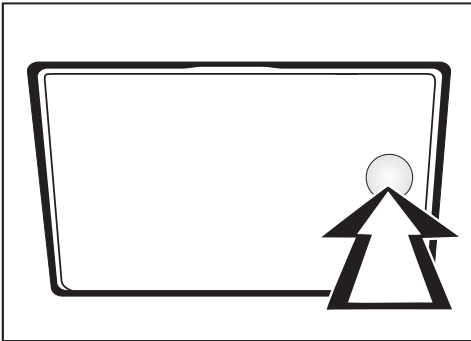
When to clean

The fine filter only needs to be cleaned when the *Clean out airways* indicator light comes on.

The indicator light will go out when the door is opened and closed again.

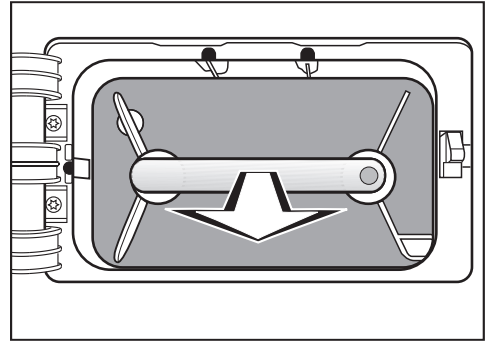
Removing the fine filter

On the front left of the tumble dryer:

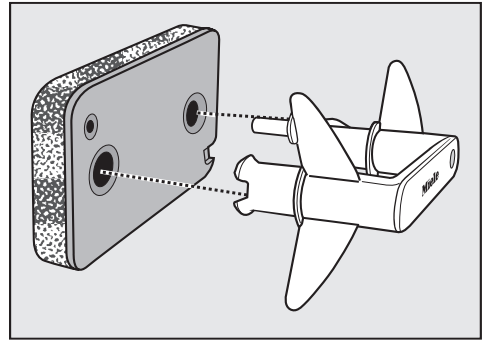


- Press to open the access panel for the fine filter (see arrow).

The panel will spring open.



- Pull the filter out by the handle.



- Pull the handle out of the filter.

Cleaning the fine filter

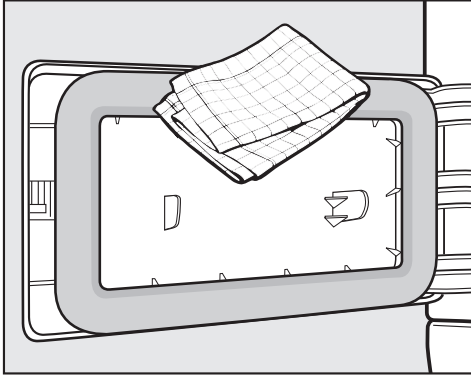
- Clean the fine filter thoroughly under running water.
- Then squeeze it thoroughly.

⚠ It must not be replaced dripping wet as this can cause a fault.

- Use a damp cloth to remove any fluff from the handle

Cleaning and care

Cleaning the cover for the fine filter



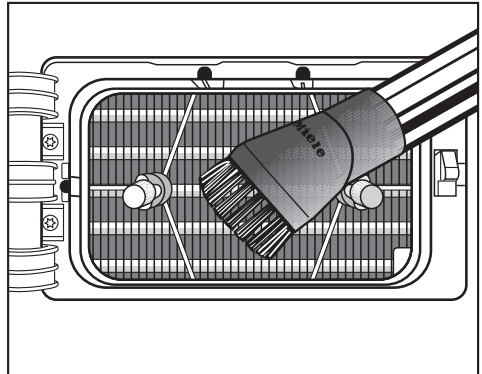
- Use a damp cloth to remove any fluff. Make sure that you do not damage the rubber seal when doing this.
- Check whether the cooling fins are blocked with fluff (as follows).

Cleaning the heat exchanger

⚠ Danger of injury. Do not touch the cooling fins. You could cut yourself.

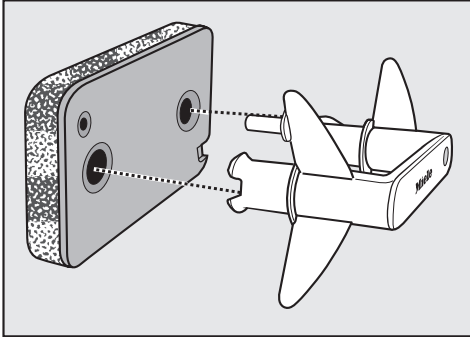
⚠ Prevent damage. Carefully pass the vacuum cleaner brush over the surface, without applying any pressure. Otherwise the cooling fins or the struts in front of them could become damaged.

Visible soiling:



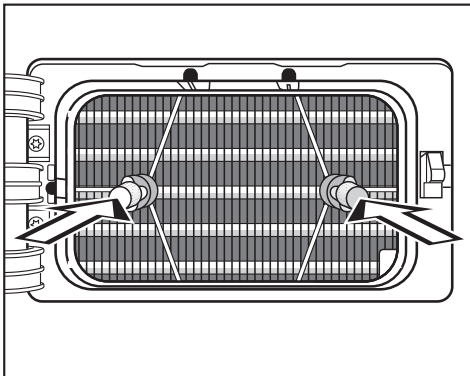
- Remove any visible soiling carefully with a vacuum cleaner using a dusting brush or a narrow crevice nozzle.

Replacing



- Fit the filter back on the handle. Make sure it is the correct way round.

To ensure that the filter is positioned correctly in the front of the heat exchanger unit:



- First insert the handle with the filter attached over the two guide pins.

Make sure that the yellow dot on the handle is on the right.

- Push the filter in completely
- Close the access panel.

⚠ The filter must be fitted correctly and the access panel closed to ensure that water cannot leak from the condenser system and to ensure that the dryer functions efficiently.

Tumble dryer


⚠ Disconnect the tumble dryer from the mains electricity supply.

⚠ Do not use solvents, abrasive cleaners, glass cleaners or multi-purpose cleaning agents. These could damage plastic surfaces and other parts.

- Clean the tumble dryer with a slightly damp cloth and a mild non-abrasive cleaning agent or a solution of washing-up liquid and water.
- Clean the seal around the inside of the door with a damp cloth.
- Dry all parts with a soft cloth.
- The drum and other stainless steel parts can be cleaned with a suitable proprietary stainless steel cleaner following the manufacturer's instructions.

Problem solving guide

With the help of the following notes minor faults in the performance of the appliance, some of which may result from incorrect operation, can be put right without contacting the Service Department.

 Repair work to electrical appliances should only be carried out by a suitably qualified person in strict accordance with current local and national safety regulations. Repairs and other work by unqualified persons could be dangerous. The manufacturer cannot be held liable for unauthorised work.

Check and fault messages

Problem	Cause and remedy
The <i>Empty container</i> indicator lights up. The programme is cancelled, the buzzer sounds.	The condensed water container is full. <ul style="list-style-type: none">■ Empty the container.■ Open and close the door while the dryer is switched on. The indicator light will go out.
The programme is cancelled. The buzzer may sound and <i>Clean out airways</i> or <i>Empty container</i> flashes.	No obvious cause. <ul style="list-style-type: none">■ Switch the dryer off and then on again.■ Start a programme. If the programme is cancelled again and an error message appears, there is a fault. Contact Miele service.

Problem solving guide

Problem	Cause and remedy
The Start indicator light flashes slowly and the display is dark.	The dryer is in standby mode. This is a normal function and does not indicate a fault. <ul style="list-style-type: none"> ■ See "Standby" in "Settings".
The Clean out airways indicator light comes on at the end of a programme.	There is a build-up of fluff in the airways. <ul style="list-style-type: none"> ■ Clean the fine filter. ■ Clean the fluff filters ■ Open and close the door while the dryer is switched on. The indicator light will go out.
The programme is cancelled and the Clean out airways indicator light comes on.	An excessive amount of fluff has built up. <ul style="list-style-type: none"> ■ Clean the fine filter, fluff filter and heat exchanger. ■ Open and close the door while the dryer is switched on. The indicator light will go out.
Bars flash in the display at the end of a programme: <i>L-]-...[-]-...[-]-]...</i>	The programme has finished but the laundry has not yet cooled down. <ul style="list-style-type: none"> ■ Either remove the laundry and spread it out to cool down or leave it in the tumble dryer to cool down during the cooling phase.
-0- appears in the display	The programme selector has been moved. <ul style="list-style-type: none"> ■ Select the original programme. The time remaining will appear in the display again.

Problem solving guide

Unsatisfactory drying results

Problem	Cause and remedy
The laundry is not sufficiently dry.	<p>The load consisted of different fabrics.</p> <ul style="list-style-type: none">■ Finish drying using the <i>Warm air</i> timed drying programme.■ Select a different programme next time. <p>Tip:* You can alter the drying levels for some programmes (see "Settings").</p>
Laundry or feather filled pillows smell after drying.	<p>The laundry was washed with insufficient detergent</p> <p>Feathers are a natural product and this is quite normal.</p> <ul style="list-style-type: none">■ Laundry: use sufficient detergent next time.■ Allow feather pillows to air after tumble drying.■ Use a fragrance flacon (available as an optional accessory).
Items made of synthetic fibres are charged with static electricity after drying.	<p>Synthetic fibres tend to attract static charge.</p> <ul style="list-style-type: none">■ Static charge can be reduced by adding a fabric conditioner to the final rinse in the washing programme or a fabric conditioner sheet to the load when drying.
There is a build-up of fluff.	<p>Fluff is principally the result of friction when garments are being worn and to some extent when they are being washed. Machine drying hardly causes any fluff to form and has no appreciable effect on the lifetime of the fabric.</p> <p>Fluff is collected by the fluff filters and fine filter and can be easily removed</p> <ul style="list-style-type: none">■ (see "Cleaning and care").

Other problems

Problem	Cause and remedy
There are humming noises.	The compressor is operating. These noises are quite normal and do not indicate a fault.
A programme does not start.	No obvious cause. <ul style="list-style-type: none">■ Connect the tumble dryer to the mains■ Turn on the tumble dryer■ Close the door■ Check whether the mains fuse has tripped
	Has there been a power cut? When power is restored any previously running programme will restart automatically.
The interior drum lighting does not come on	The lighting switches off automatically (to save energy). <ul style="list-style-type: none">■ Switch the dryer off and then on again.■ The lamp needs changing. Change the lamp as described at the end of this section.

Problem solving guide

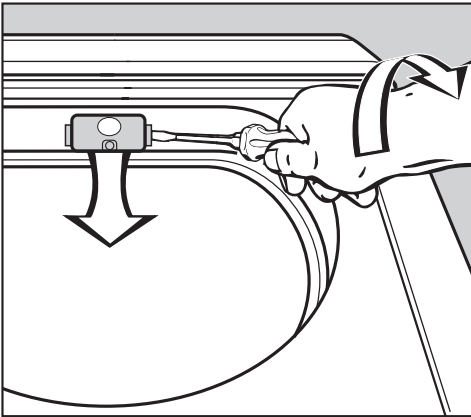
Problem	Cause and remedy
<p>The drying process goes on too long or even switches off</p>	<p>The temperature in the room may have risen sharply.</p> <ul style="list-style-type: none"> ■ Air the room to make sure that the temperature is not too high.
	<p>Detergent residues, hair and fine fluff can clog the fluff filters and the fine filters</p> <p>The cooling ribs can be clogged up.</p> <ul style="list-style-type: none"> ■ Clean the fluff filters and the fine filters. ■ Remove any visible fluff behind the panel in the heat exchanger cavity (see "Cleaning and care").
	<p>The cool air intake (bottom right grille) is blocked.</p> <ul style="list-style-type: none"> ■ Move any objects, such as a laundry basket, away from the grille.
	<p>The fluff filters and the fine filter were still wet when they were replaced.</p> <ul style="list-style-type: none"> ■ The fluff filters and fine filter must be dry.
	<p>The laundry has not been spun sufficiently.</p> <ul style="list-style-type: none"> ■ Make sure that your laundry is thoroughly spun at the appropriate spin speed in the washing machine.
	<p>The tumble dryer has been overloaded</p> <ul style="list-style-type: none"> ■ Do not exceed the maximum load for the programme selected.
	<p>Metallic components, e.g. zips have prevented the dryer from registering the correct moisture level.</p> <ul style="list-style-type: none"> ■ Open the zips next time. ■ If the problem occurs again, dry garments with long zips using the <i>Warm air</i> timed drying programme.
	<p>* Before starting another programme:</p> <ul style="list-style-type: none"> ■ Switch the dryer off and then on again.

Changing the lamp

! Disconnect the tumble dryer from the mains electricity supply.

- Open the door.

You will find the interior lamp cover at the top of the drum aperture.



- Insert a suitable tool* under the side edge of the lamp cover as illustrated.

* such as a wide flat bladed screwdriver

- Apply a little pressure and whilst doing so turn your wrist in the direction of the arrow to open the cover.

The cover will open downwards.

The temperature resistant lamp should only be ordered from your Miele dealer or the Miele Spare Parts Department.

! The lamp must be replaced with one of the same type and specification. The light specification and maximum wattage is stated on the data plate and on the light cover.

- Turn the lamp anti-clockwise to remove.
- Replace the lamp.
- To close the cover push it upwards and press it on the left and right until you hear it click into position.

! Ensure that it is fitted into position securely, as any moisture could cause a short circuit.

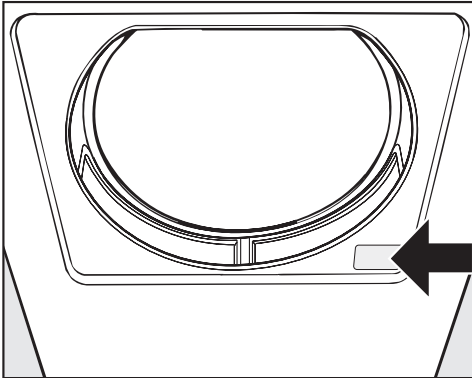
After sales service

Repairs

In the event of any faults which you cannot remedy yourself, please contact your Miele dealer or the Miele Service Department

Contact details for Miele are given on the back cover of this manual. N.B. A call-out charge will be applied to service visits where the problem could have been resolved as described in these instructions.

When contacting the Service Department, please quote the model and serial numbers both of which are located on the data plate (visible when the door is opened).



Accessories

Optional accessories and replacement spare parts for this tumble dryer are available from Miele, your Miele dealer or via the internet at:



Dryer basket

The dryer basket is suspended in the drum and does not rotate with the drum. This enables items which must not be subjected to mechanical action to be dried or aired.

Fragrance flacon

Use a fragrance flacon in your tumble dryer to add a pleasant fragrance to your laundry.

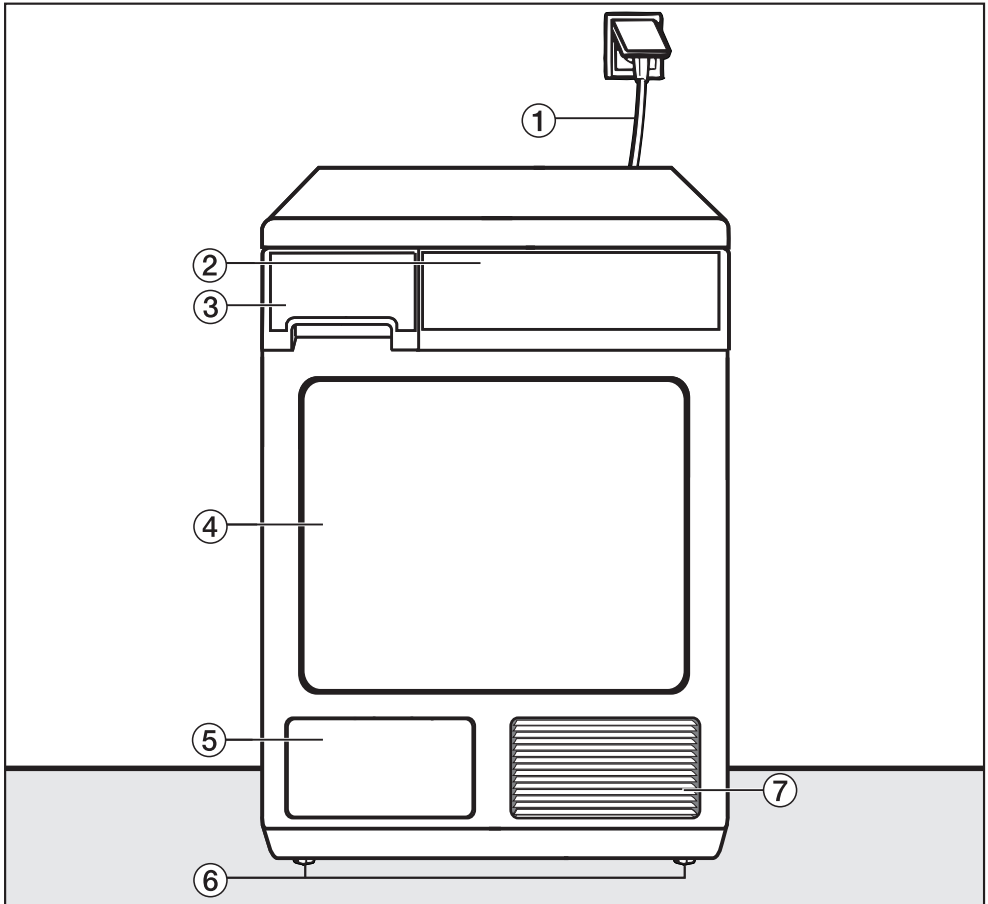
Guarantee

The appliance is guaranteed for a period of 2 years from date of purchase.

In the U.K. you must activate your cover by calling 0845 365 6640 or registering online at www.miele.co.uk.

Please note that telephone calls may be monitored or recorded for training purposes.

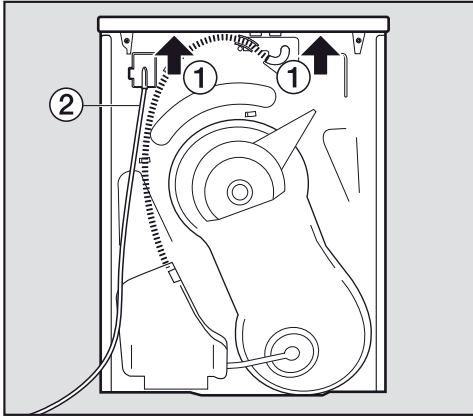
Front view



- ① Mains connection cable
- ② Control panel
- ③ Condensed water container
(empty after every drying programme)
- ④ Door
(do not open during drying)
- ⑤ Access panel for the fine filter
(do not open during drying)
- ⑥ Four height adjustable screw feet
- ⑦ Cool air intake grille
(do not obstruct with a laundry basket or other objects)

Installation and connection

Rear view



① Protruding lid for holding when moving the dryer (see arrows)

② Mains connection cable

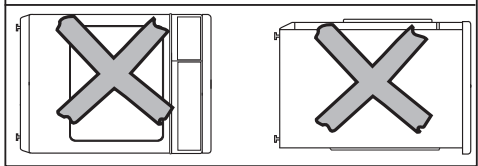
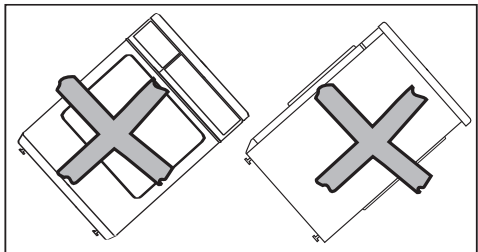
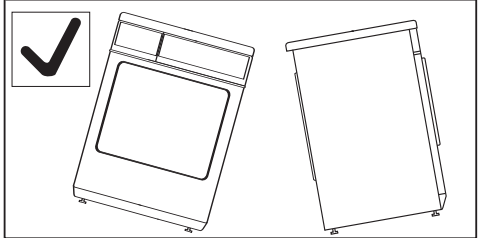
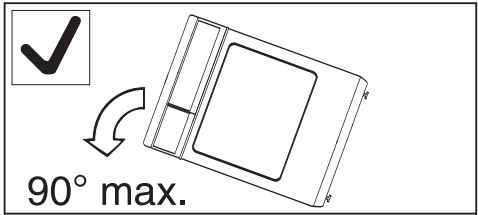
Transporting the dryer

To manoeuvre the dryer out of its packing case to its installation site,

- hold it by the front feet
- as well as by the edge of the lid where it protrudes to the rear of the dryer.

⚠ Only transport the dryer as shown in the following illustrations.

⚠ If transporting the dryer at an angle, only tip towards the left side.



⚠ If the tumble dryer has not been transported as described, then it must be left to stand for at least 1 hour before it is connected to the electricity supply. Otherwise the heat pump can be damaged.

Installation

⚠ Make sure the dryer door can be opened without hindrance after installation.

⚠ The cool air intake panel at the front of the dryer must not be blocked or covered, e.g. by a laundry basket, as this would cause a fault.

Building under a continuous worktop/in a row of kitchen units

⚠ It is very important to avoid a build-up of heat. The warm air which is expelled from the rear of the dryer must be able to dissipate. Warm air which cannot dissipate could cause a fault.

N.B. When built under, drying times may be longer.

A build-up of heat can be avoided by:

- Adjusting the screw feet so that there is a gap of at least 20 mm between the floor and the bottom of the dryer.
- Creating a gap for the dryer in the kitchen furniture plinth facing.
- Creating ventilation gaps in the kitchen unit.

⚠ The dryer should not be installed next to a refrigeration appliance. The warm air expelled from the rear of the dryer would increase the temperature around the refrigeration appliance's heat exchanger causing the compressor to run continuously. If it is not possible to install the dryer anywhere else, then the refrigeration appliance must be sealed off from the dryer.

⚠ Building under kits must only be installed/dismantled by a suitably qualified fitter.

- A special building under conversion kit* with a cover plate to replace the appliance lid is required. It must be fitted by a suitably qualified fitter to ensure electrical safety. N.B. If there is space to push the tumble dryer under the worktop without removing the lid, the building under kit is not necessary. Otherwise it is essential.
- Fitting instructions are supplied with the conversion kit.
- The electrical socket must be located in an accessible position near the appliance.

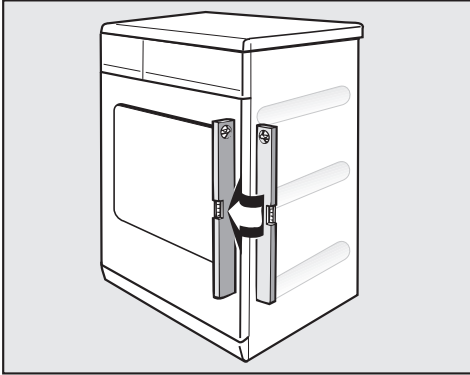
With niche heights of:

- 830-840 mm, longer screw feet* are required.
- 870-885 / 915-930 mm, one or two raising kits* are required.

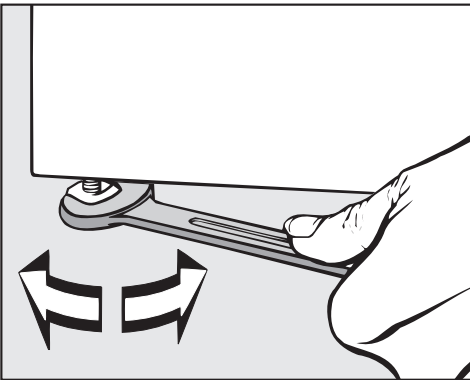
*Miele accessory available to order

Installation and connection

Levelling the dryer



The appliance must stand perfectly level on all four feet to ensure safe and proper operation.



The screw feet can be adjusted to compensate for any unevenness in the floor.

! Do not block the gap between the bottom of the tumble dryer and the floor with plinth facings, deep pile carpet etc. This would hinder a sufficient flow of air to the dryer.

Before moving the tumble dryer again (e.g. when moving house)

After each use a small quantity of condensed water will collect in the area of the pump. This water can run out if the tumble dryer is tipped up when it is being moved. It is a good idea to run the *Warm air* programme for approximately 1 minute before moving the tumble dryer. Any remaining condensed water will then be fed into the condensed water container or out through the drain hose.

Washer-dryer stack

The tumble dryer can be combined with a Miele washing machine in a washer-dryer stack. The appropriate "WTV" stacking kit* to match your dryer is required.

* Miele accessory available to order

! Stacking kits must only be installed by a suitably qualified fitter.

Electrical connection U.K.

All electrical work should be carried out by a suitably qualified and competent person, in strict accordance with current national and local safety regulations (BS 7671 in the UK).

Ensure power is not supplied to the appliance until after installation work has been carried out.

The appliance is supplied with a mains cable with moulded plug ready for connection to a 230-240V mains supply.

Please ensure the connection data quoted on the data plate match the household mains supply.

Connection should be made via a suitable switched socket which is easily accessible after installation.

For extra safety it is advisable to protect the appliance with a suitable residual current device (RCD). Contact a qualified electrician for advice.

Do not connect via an extension lead. Extension leads do not guarantee the required safety of the appliance (e.g. danger of overheating).

Non-rewireable plugs BS 1363

The fuse cover must be refitted when changing the fuse, and if the fuse cover is lost, the plug must not be used until a suitable replacement is obtained. The colour of the correct replacement cover is that of the coloured insert in the base of the plug, or the colour that is embossed in words on the base of the plug (as applicable to the design of plug fitted).

Replacement fuses should be ASTA approved to BS 1362 and have the correct rating. Replacement fuses and fuse covers may be purchased from your local electrical supplier.

WARNING: THIS APPLIANCE MUST BE EARTHED

Consumption data

	Load ¹	Final spin speed in a domestic washing machine	Residual moisture	Energy	Duration
	kg	rpm	%	kWh	min
Cottons Normal ²	7.0	1000	60	2.09	144
	3.5	1000	60	1.22	88
Cottons Normal	7.0	1200	53	1.85	130
	7.0	1400	50	1.80	124
	7.0	1600	44	1.60	110
Cottons Normal, Gentle tumble	7.0	1000	60	2.04	147
Cottons Hand iron	7.0	1000	60	1.56	108
	7.0	1200	53	1.35	95
	7.0	1400	50	1.25	88
	7.0	1600	44	1.10	75
Minimum iron Normal	3.5	1200	40	0.75	54
Minimum iron Normal, Gentle tumble	3.5	1200	40	0.70	56
Minimum iron Hand iron	3.5	1200	40	0.65	47
Automatic plus	3.5	800	50	1.34	96
¹ Weight of dry laundry					
² Test programme in accordance with Regulation 392/2012/EU for energy labelling measured in accordance with EN 61121					
All data was calculated using EN 61121 unless otherwise stated.					
Power consumption when switched off				0.15 W	
Power consumption when not switched off				3.50 W	

Note for test institutes:

For testing in accordance with EN 61121, dry a 3 kg load of cotton laundry with 70% residual moisture as per the above standard using the *Cottons Normal* programme without any extra options.

Consumption data can vary from the nominal values given above depending on the size of the load, types of textiles, residual moisture levels after spinning, fluctuations in the electricity supply and any extra options selected.

Technical data

Height	850 mm
Width	595 mm
Depth	596 mm
Depth with door open	1071 mm
Height for building under	820 mm
Width for building under	600 mm
Depth for building under	600 mm
Suitable for pushing under a worktop	Yes
Suitable for stacking	Yes
Weight	60.5 kg
Drum volume	111 litres
Load size	1-7 kg dry weight
Capacity of condensed water container	4.2 l
Length of connection cable	2.00 m
Voltage	See data plate
Power rating	See data plate
Fuse rating	See data plate
Lamp wattage	See data plate
Test certificates awarded	See data plate

Settings

Settings can be used to alter the dryer's electronics to suit different requirements. They can be altered at any time.

Altering the residual moisture level in the Cottons programme

The tumble dryer is designed to dry effectively using as little energy as possible. However, if you require the laundry to be drier or damper, you can reduce or increase the default residual moisture in this programme.

Exception: *Normal* remains unchanged.

Follow steps (1, 2, 3 ...) to programme and store in memory.

Before you begin, ensure that:

- The tumble dryer is switched off.
- The door is closed.
- The programme selector is pointing to *Finish*.

- 1 Press *Start* and keep it pressed in whilst carrying out steps 2-3.
- 2 Switch the dryer on.
- 3 Wait until the indicator light for the *Start* button comes on . . .
- 4 . . . and then release the *Start* button.

The *Empty container* indicator light will flash once.

The option selected will be displayed by a **number** which will alternate with *P*.

0 **Laundry will be damper**

1 **The standard drying level will remain on the Normal setting (factory default setting)**

(The *Clean out airways* indicator light will also flash once)

2 **Laundry will be drier**

(The *Clean out airways* indicator light will also flash twice)

5 Pressing the *Start* button switches between the options.

6 Switch the dryer off.

The setting you have selected is now stored in memory. You can change it again at any time.

To check the setting:

■ Carry out steps 1-4.

■ Switch the dryer off after checking.

Settings

Altering the residual moisture level in the "Minimum iron" programme

The tumble dryer is designed to dry effectively using as little energy as possible. However, if you require the laundry to be drier or damper, you can reduce or increase the default residual moisture in this programme.

Follow steps (1, 2, 3 ...) to programme and store in memory.

Before you begin, ensure that:

- The tumble dryer is switched off.
 - The door is closed.
 - The programme selector is pointing to *Finish*.
- 1 Press *Start* and keep it pressed in whilst carrying out steps 2-3.
 - 2 Switch the dryer on.
 - 3 Wait until the indicator light for the *Start* button comes on . . .
 - 4 . . . and then release the *Start* button.
 - 5 Turn the programme selector to *Cottons Normal+*.

The *Empty container* indicator light will flash twice.

The option selected will be displayed by a **number** which will alternate with *P*.

0 **Laundry will be damper**

1 **The standard drying level will remain on the Normal setting (factory default setting)**
(The *Clean out airways* indicator light will also flash once)

2 **Laundry will be drier**
(The *Clean out airways* indicator light will also flash twice)

6 Pressing the *Start* button switches between the options.

7 Switch the dryer off.

The setting you have selected is now stored in memory. You can change it again at any time.

To check the setting:

- Carry out steps 1-5.
- Switch the dryer off after checking.

Anti-crease

Helps prevent creasing, if laundry is not normally removed immediately after the end of a programme. The drum rotates at intervals for 2 hours after the end of a programme.

The anti-crease function

- is activated when the tumble dryer is delivered. You can shorten the duration of the anti-crease phase or deactivate it if wished.
- can be used for all programmes, except *Woollens handcare*.
- should always be switched on.

Follow steps (1, 2, 3 ...) to programme and store in memory.

Before you begin, ensure that:

- The tumble dryer is switched off.
- The door is closed.
- The programme selector is pointing to *Finish*.

- 1 Press *Start* and keep it pressed in whilst carrying out steps 2-3.
- 2 Switch the dryer on.
- 3 Wait until the indicator light for the *Start* button comes on . . .
- 4 . . . and then release the *Start* button.
- 5 Turn the programme selector to *Cottons Normal*.

The *Empty container* indicator light will flash three times.

The option selected will be displayed by a **number** which will alternate with *P*.

0 Anti-crease action off

1 Anti-crease 1 h

(The *Clean out airways* will also flash once)

2 Anti-crease 2 h

(The *Clean out airways* will also flash twice)

- 6 Pressing the *Start* button switches between the options.
- 7 Switch the dryer off.

The setting you have selected is now stored in memory. You can change it again at any time.

To check the setting:

- Carry out steps 1-5.
- Switch the dryer off after checking.

Settings

Switching the buzzer on/off

A buzzer sounds (at intervals for a maximum of 1hr) to let you know the programme has finished.

The dryer is delivered with the buzzer switched on, but you can switch it off if you wish.

The buzzer will still sound if there is a fault, even if it has been switched off.

Follow steps (1, 2, 3 ...) to programme and store in memory.

Before you begin, ensure that:

- The tumble dryer is switched off.
- The door is closed.
- The programme selector is pointing to *Finish*.

- 1 Press *Start* and keep it pressed in whilst carrying out steps 2-3.
- 2 Switch the dryer on.
- 3 Wait until the indicator light for the *Start* button comes on . . .
- 4 . . . and then release the *Start* button.
- 5 Turn the programme selector to *Cottons Gentle tumble*.

The *Empty container* indicator light will flash four times.

The option selected will be displayed by a **number** which will alternate with *P*.

0 Buzzer off

1 **Buzzer on (Factory default setting)**
(The *Clean out airways* indicator light will also flash once).

6 Pressing the *Start* button switches between the options.

7 Switch the dryer off.

The setting you have selected is now stored in memory. You can change it again at any time.

To check the setting:

- Carry out steps 1-5.
- Switch the dryer off after checking.

Altering the standard drying level in the "Automatic plus" programme

The drying level for this programme is set at a standard *Normal* level. You have the option of changing to *Hand iron* (dampener than Normal) or to *Normal+* (drier than Normal).

Follow steps (1, 2, 3 ...) to programme and store in memory.

Before you begin, ensure that:

- The tumble dryer is switched off.
- The door is closed.
- The programme selector is pointing to *Finish*.

- 1 Press *Start* and keep it pressed in whilst carrying out steps 2-3.
- 2 Switch the dryer on.
- 3 Wait until the indicator light for the *Start* button comes on . . .
- 4 . . . and then release the *Start* button.
- 5 Turn the programme selector to *Cottons Hand iron*.

The *Empty container* indicator light will flash six times.

The option selected will be displayed by a **number** which will alternate with *P*.

0 Standard setting - *Hand iron*

1 The **standard drying level will remain on the Normal setting (factory default setting)**

(The *Clean out airways* indicator light will also flash once)

2 **Standard setting will be Normal+** (The *Clean out airways* indicator light will also flash twice)

6 Pressing the *Start* button switches between the options.

7 Switch the dryer off.

The setting you have selected is now stored in memory. You can change it again at any time.

To check the setting:

- Carry out steps 1-5.
- Switch the dryer off after checking.

Settings

Standby

To save energy, the display goes out after 10 minutes and the indicator light for the *Start* button starts flashing slowly.

To come out of Standby mode:

- Move the programme selector or press *Start*. Neither will have any effect if a programme is running.

On

Standby function is activated and the indicator lights will go out after 10 minutes:

- if a programme is not selected after the dryer has been switched on.
- after a programme has started.

They will, however come on for 10 minutes at the end of the programme or the end of the anti-crease phase. The buzzer (if selected) will sound for 10 minutes at the end of the programme.

Not in current programme (factory default setting)

As described under "On". However, indicator lights will stay on when the programme has started and remain visible during the programme.

Off

Indicator lights will stay on while the dryer is switched off.

Follow steps (1, 2, 3 ...) to programme and store in memory.

Before you begin, ensure that:

- The tumble dryer is switched off.
- The door is closed.
- The programme selector is pointing to *Finish*.

- 1 Press *Start* and keep it pressed in whilst carrying out steps 2-3.
- 2 Switch the dryer on.
- 3 Wait until the indicator light for the *Start* button comes on . . .
- 4 . . . and then release the *Start* button.
- 5 Turn the programme selector to *Cottons Machine iron*.

The *Empty container* indicator light will flash eight times.

The option selected will be displayed by a **number** which will alternate with *P*.

0 On

1 Not in current programme (factory default setting)

(The *Clean out airways* indicator light will also flash once)

2 Off

(The *Clean out airways* indicator light will also flash twice)

6 Pressing the *Start* button switches between the options.

7 Switch the dryer off.


The setting you have selected is now stored in memory. You can change it again at any time.

To check the setting:

- Carry out steps 1-5.
- Switch the dryer off after checking.


Settings

Adjusting the dryer's electronics for very soft water

 This setting should only be altered if the water is so soft that it is likely to cause the electronics which sense residual moisture in the laundry to give false readings.

Important

If the dryer is installed in an area with very soft water, you should contact your local water supplier for information and advice regarding water hardness and water conductivity. If the water conductivity is less than 150 μS , the following setting will need to be activated.

 Only activate this programmable function if these conditions are present. Otherwise drying results will be unsatisfactory.

Follow steps **(1, 2, 3 ...)** to programme and store in memory.

Before you begin, ensure that:

- The tumble dryer is switched off.
- The door is closed.
- The programme selector is pointing to *Finish*.

- 1** Press *Start* and keep it pressed in whilst carrying out steps **2–3**.
- 2** Switch the dryer on.
- 3** Wait until the indicator light for the *Start* button comes on . . .
- 4** . . . and then release the *Start* button.

- 5** Turn the programme selector to *Gentle smoothing*.

The *Empty container* indicator light will flash on and off slowly once and then on and off quickly twice.

The option selected will be displayed by a **number** which will alternate with *P*.

Factory default setting

- 1** **Adjusted for very soft water (with low conductivity)**
(The *Clean out airways* indicator light will also flash once)

- 6** Pressing the *Start* button switches between the options.

- 7** Switch the dryer off.

The setting you have selected is now stored in memory. You can change it again at any time.

To check the setting:

- Carry out steps **1–5**.
- Switch the dryer off after checking.

United Kingdom

Miele Co. Ltd.
Fairacres, Marcham Road
Abingdon, Oxon, OX14 1TW
Tel: 0845 365 0555
Customer Contact Centre Tel: 0845 365 6600
E-mail: info@miele.co.uk
Internet: www.miele.co.uk

Australia

Miele Australia Pty. Ltd.
ABN 96 005 635 398
1 Gilbert Park Drive, Knoxfield, VIC 3180
Tel: 1300 464 353, Fax: (03) 9764 7149
Internet: www.miele.com.au

China

Miele (Shanghai) Trading Ltd.
1-3 Floor, No. 82 Shi Men Yi Road
Jing' an District
200040 Shanghai, PRC
Tel: +86 21 6157 3500, Fax: +86 21 6157 3511
E-mail: info@miele.cn
Internet: www.miele.cn

Miele (Hong Kong) Limited

41/F - 4101, Manhattan Place
23 Wang Tai Road
Kowloon Bay
Hong Kong
Tel: (852) 2610 1331, Fax: (852) 2610 1013
Email: mielehk@miele.com.hk

India

Miele India Pvt. Ltd.
Ground Floor, Copia Corporate Suites
Plot No. 9, Jasola
New Delhi – 110025
Tel: 011-46 900 000, Fax: 011-46 900 001
E-mail: customercare@miele.in, Internet: www.miele.in

Ireland

Miele Ireland Ltd.
2024 Bianconi Avenue
Citywest Business Campus, Dublin 24
Tel: (01) 461 07 10, Fax: (01) 461 07 97
E-Mail: info@miele.ie, Internet: www.miele.ie

Manufacturer: Miele & Cie. KG
Carl-Miele-Straße 29, 33332 Gütersloh, Germany

Miele

Malaysia

Miele Sdn Bhd
Suite 12-2, Level 12
Menara SapuraKencana Petroleum
Solaris Dutamas No. 1, Jalan Dutamas 1
50480 Kuala Lumpur, Malaysia
Phone: +603-6209-0288
Fax: +603-6205-3768

New Zealand

Miele New Zealand Limited
8 College Hill
Freemans Bay, Auckland 1011, NZ
Tel: 0800 264 353, Fax: 0800 463 453
Internet: www.miele.co.nz

Singapore

Miele Southeast Asia
Miele Pte. Ltd.
163 Penang Road
04 - 02/03 Winsland House II
Singapore 238463
Tel: +65 6735 1191, Fax: +65 6735 1161
E-Mail: infosea@miele.com.sg
Internet: www.miele.sg

South Africa

Miele (Pty) Ltd
63 Peter Place, Bryanston 2194
P.O. Box 69434, Bryanston 2021
Tel: (011) 875 9000, Fax: (011) 875 9035
E-mail: info@miele.co.za
Internet: www.miele.co.za

United Arab Emirates

Miele Appliances Ltd.
P.O. Box 11 47 82
Gold & Diamond Park
Sheikh Zayed Road
Building 6 / Offices Nos. 6-214 to 6-220
Dubai
Tel: +971-4-341 84 44
Fax: +971-4-341 88 52
E-Mail: info@miele.ae, Internet: www.miele.ae



Free Manuals Download Website

<http://myh66.com>

<http://usermanuals.us>

<http://www.somanuals.com>

<http://www.4manuals.cc>

<http://www.manual-lib.com>

<http://www.404manual.com>

<http://www.luxmanual.com>

<http://aubethermostatmanual.com>

Golf course search by state

<http://golfingnear.com>

Email search by domain

<http://emailbydomain.com>

Auto manuals search

<http://auto.somanuals.com>

TV manuals search

<http://tv.somanuals.com>