

# Miele

## Operating and installation instructions



### Refrigerator with PerfectFresh zone and Dynamic cooling K 14827 SD K 14827 SD ed/cs

To avoid the risk of accidents or damage to the appliance, it is **essential** to read these instructions before it is installed and used for the first time.

en - GB

M.-Nr. 07 937 090

# Contents

---

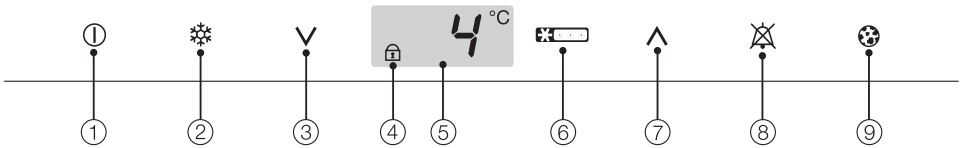
<b>Guide to the appliance</b> .....	4
<b>Caring for the environment</b> .....	6
<b>Warning and Safety instructions</b> .....	7
<b>How to save energy</b> .....	12
<b>Switching on and off</b> .....	13
Before using for the first time .....	13
Cleaning and care .....	13
Operating the appliance .....	13
Settings mode .....	14
Switching the sensor tones on/off .....	15
Activating or de-activating the safety lock .....	15
Switching off for longer periods of time .....	16
<b>The correct temperature</b> .....	17
... in the refrigerator and the PerfectFresh zone .....	17
Dynamic cooling .....	17
Setting the temperature .....	17
Temperature range .....	18
Setting the temperature in the PerfectFresh zone .....	18
Temperature display .....	19
Changing the temperature display brightness .....	19
<b>Alarm</b> .....	20
To switch off the door alarm whilst the door is still open .....	20
To switch on the door alarm .....	20
<b>Super cool</b> .....	21
The Super cool function .....	21
<b>Storing food in the refrigerator</b> .....	22
Different storage zones .....	22
Food which is not suitable for storing in the refrigerator .....	23
When shopping for food .....	23
Storing food correctly .....	23
Unpacked meat and vegetables .....	23
<b>Storing food in the PerfectFresh zone</b> .....	24
Storage temperature .....	24
Humidity level .....	24
Storing food in the PerfectFresh zone compartments .....	24
Dry compartment .....	24
Humidity-controlled compartment .....	25

<b>Adjusting the interior fittings</b> . . . . .	28
Moving the shelves . . . . .	28
Split shelf . . . . .	28
Adjusting the condiment tray/bottle shelf . . . . .	29
Universal container . . . . .	30
Moving the bottle divider . . . . .	30
<b>Automatic defrost</b> . . . . .	31
Refrigerator section and PerfectFresh zone . . . . .	31
<b>Cleaning and care</b> . . . . .	32
Cleaning the interior and accessories . . . . .	33
Appliance door, side panels . . . . .	34
Ventilation gaps . . . . .	35
Door seal . . . . .	35
Metal grille at the back of the appliance . . . . .	35
<b>Active charcoal filters</b> . . . . .	36
To change the active charcoal filters . . . . .	36
<b>Problem solving guide</b> . . . . .	38
<b>Noises</b> . . . . .	40
<b>After Sales / Guarantee</b> . . . . .	41
<b>Information for dealers</b> . . . . .	42
Demo mode . . . . .	42
<b>Electrical connection</b> . . . . .	43
<b>Installation</b> . . . . .	44
Side-by-side installation . . . . .	44
Location . . . . .	44
Climate range . . . . .	44
Ventilation . . . . .	44
Installation . . . . .	45
Aligning the appliance . . . . .	45
Levelling the appliance door . . . . .	45
Appliance dimensions . . . . .	46
<b>Changing the door hinging</b> . . . . .	47
<b>Aligning the appliance</b> . . . . .	56
Stainless steel appliances (height adjustable door) . . . . .	56
<b>Building in the appliance</b> . . . . .	57

# Guide to the appliance

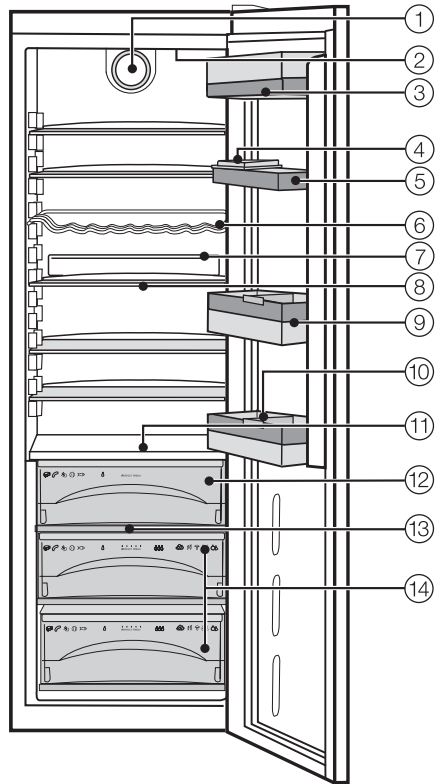
---

---



- ① On/Off sensor
- ② Super cool sensor
- ③ Sensor for setting a lower temperature (V)
- ④ Safety lock indicator light (only visible when the Safety lock is activated)
- ⑤ Temperature display
- ⑥ "Cooling" symbol
- ⑦ Sensor for setting a higher temperature (^)
- ⑧ Alarm off sensor (only visible when the door alarm sounds)
- ⑨ Change active charcoal filter indicator (only visible when the active charcoal filters need to be changed)

- ① Dynamic cooling fan
- ② Interior lighting
- ③ Butter and cheese compartment
- ④ Universal container
- ⑤ Egg tray/Condiment tray
- ⑥ Bottle rack
- ⑦ Active charcoal filter holder
- ⑧ Adjustable shelves
- ⑨ Bottle shelf
- ⑩ Bottle divider
- ⑪ Condensate channel and drain hole
- ⑫ PerfectFresh zone, dry compartment
- ⑬ Control for setting the moisture level in the humidity controlled compartments
- ⑭ PerfectFresh zone, humidity controlled compartments



# Caring for the environment

---

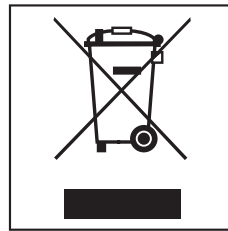
## Disposal of the packing material

The transport and protective packing has been selected from materials which are environmentally friendly for disposal, and should be recycled.

Ensure that any plastic wrappings, bags etc. are disposed of safely and kept out of the reach of babies and young children. Danger of suffocation!

## Disposal of your old appliance

Electrical and electronic appliances often contain materials which, if handled or disposed of incorrectly, could be potentially hazardous to human health and to the environment. They are, however, essential for the correct functioning of your appliance. Please do not therefore dispose of it with your household waste.



Please dispose of it at your local community waste collection / recycling centre or contact your dealer for advice. Ensure that it presents no danger to children while being stored for disposal.

Take care not to damage the pipework at the back of it before or during transportation to an authorised collection depot.

In this way, refrigerant in the pipework and oil in the compressor will be contained, and will not leak out into the environment.

# Warning and Safety instructions

This appliance complies with all relevant safety requirements. Improper use can, however, present a risk of both personal injury and material damage.

To avoid the risk of accidents and damage to the appliance, please read these instructions carefully before installation and before using it for the first time. They contain important notes on installation, safety, operation and maintenance.

Keep these instructions in a safe place and pass them on to any future user.

## Correct application

► This appliance is not designed for commercial use. It is intended for use in domestic households and in similar working and residential environments such as:

- Shops
- Offices and showrooms

and by residents in establishments such as:

- Hostels and guest houses.

The appliance is not intended for outdoor use.

It must only be used as a domestic appliance to cool and store foodstuffs.

Any other usage is not supported by the manufacturer and could be dangerous. Miele cannot be held liable for damage resulting from incorrect or improper use or operation of the appliance.

► The appliance can only be used by people with reduced physical, sensory or mental capabilities, or lack of experience and knowledge, if they are supervised whilst using it, or have been shown how to use it in a safe way and understand the hazards involved.

## Safety with children

► Children 8 years and older may use the appliance only if they have been shown how to use it in a safe way and understand the hazards involved.

► Children under 8 years of age must be kept away from the appliance unless they are constantly supervised.

► This appliance is not a toy! Do not allow children to play with it or near it, or to play with the controls, or to swing on the door.

# Warning and Safety instructions

---

## Technical safety

▶ Before setting up the appliance, check it for any externally visible damage. Do not install and use a damaged appliance. It could be dangerous.

▶ If the connection cable is faulty it must only be replaced by a service technician authorised by the manufacturer to protect the user from danger.

▶ This appliance contains the coolant Isobutane (R600a), a natural gas which is environmentally friendly. Although it is flammable, it does not damage the ozone layer and does not increase the greenhouse effect. The use of this coolant has, however, led to a slight increase in the noise level of the appliance. In addition to the noise of the compressor, you might be able to hear the coolant flowing around the system. This is unavoidable, but does not have any adverse effect on the performance of the appliance. Care must be taken during transportation and setting up of the appliance that no parts of the cooling system are damaged. Leaking coolant can damage the eyes.

In the event of any damage:

- avoid open flames and anything which creates a spark,
- disconnect from the mains,
- air the room in which the appliance is located for several minutes and
- contact the Service Department for advice.

▶ The more coolant there is in an appliance, the larger the room it should be installed in. In the event of a leakage, if the appliance is in a small room, there is the danger of combustible gases building up. For every 8 g of coolant at least 1 m<sup>3</sup> of room space is required. The amount of coolant in the appliance is stated on the data plate inside the appliance.

▶ Safe operation of the appliance is only assured if it has been installed and connected in accordance with these operating and installation instructions.

▶ Before connecting the appliance, check that the connection data on the data plate (voltage and frequency) match the mains electricity supply. This data must correspond in order to avoid the risk of damage to the appliance. Consult a qualified electrician if in any doubt.

▶ Do not connect the appliance to the mains electricity supply by a multi-socket adapter or an extension lead. These do not guarantee the required safety of the appliance (e.g. danger of overheating).



# Warning and Safety instructions

---

- ▶ The electrical safety of this appliance can only be guaranteed if correctly earthed. It is most important that this basic safety requirement is observed and regularly tested and where there is any doubt, the household wiring system should be inspected by a qualified electrician. The manufacturer cannot be held liable for damage or injury caused by the lack of or inadequacy of an effective earthing system (e.g. electric shock).
- ▶ Installation, maintenance and repairs may only be carried out by a suitably qualified and competent person in strict accordance with current national and local safety regulations. Repairs and other work by unqualified persons could be dangerous. The manufacturer cannot be held liable for unauthorised work.
- ▶ While the appliance is under guarantee, repairs should only be undertaken by a service technician authorised by the manufacturer. Otherwise the guarantee will be invalidated.
- ▶ The appliance must be isolated from the electricity supply during installation, maintenance and repair work.
- ▶ Faulty components must only be replaced by genuine Miele original spare parts. The manufacturer can only guarantee the safety of the appliance when Miele replacement parts are used.
- ▶ This appliance must not be used in a non-stationary location (e.g. on a ship).
- ▶ In areas which may be subject to infestation by cockroaches or other vermin, pay particular attention to keeping the appliance and its surroundings in a clean condition at all times. Any damage which may be caused by cockroaches or other vermin will not be covered by the guarantee.

# Warning and Safety instructions

---

## Correct use

▶ Do not store explosive materials in the appliance or any products containing propellants (e.g. spray cans). Thermostats switching on may produce sparks which could present a fire hazard. Flammable compounds could explode.

▶ Do not operate any electrical equipment (e.g. an electric ice-cream maker) inside the appliance. Danger of sparking and explosion.

▶ If storing alcohol with a high percentage proof in the refrigerator, make sure the bottle is tightly closed and stored upright. Danger of explosion.

▶ Observe the "use by" dates given on food to avoid the risk of food poisoning. Storage times will depend on several factors, including the freshness and quality of the food as well as the temperature at which it is stored. Follow the instructions given on food manufacturer's packaging on storage conditions required, as well as the "use by" date.

▶ Do not use sharp edged objects to

- remove frost and ice,
- separate food which has become frozen.

They will damage the evaporator, causing irreversible damage to the appliance.

▶ Do not use defrosting sprays or de-icers, as they might contain substances which could damage the plastic parts or which could cause a build-up of gases and pose a danger to health.

▶ Do not use a steam-cleaning appliance to clean this appliance. Steam could reach electrical components and cause a short circuit.

▶ Do not use any oils or grease on the door seal, as these will cause the seal to deteriorate and become porous with time.

▶ If storing food which contains a lot of fat or oil, make sure that it does not come into contact with plastic components as this could cause stress cracks.

▶ Do not block the ventilation gaps in the appliance as this would impair the efficiency of the appliance, increase the electricity consumption and could cause damage to the appliance.

▶ The appliance is designed for use within certain climate ranges (ambient temperatures), and should not be used outside this range. The climate range for your appliance is stated on the data plate inside the appliance. Installing it in a room with too low an ambient temperature, e.g. a garage, will lead to the appliance switching off for longer periods so that it cannot maintain the required temperature.

## Stainless steel appliances

▶ Do not use sticky notes, transparent adhesive tape, masking tape or other types of adhesive on the surface of the door. These damage the surface, causing it to lose its dirt repellent protective coating.

▶ The high-quality surface of the door is susceptible to scratching. Even fridge magnets can cause scratching.

The manufacturer cannot be held liable for damage caused by non-compliance with these Warning and Safety instructions.

## Disposal of your old appliance

▶ Before disposing of an old appliance, first make the door latch or lock unusable.

This way you will prevent children from accidentally locking themselves in and endangering their lives.

▶ Be careful not to damage any part of the pipework whilst awaiting disposal, e.g. by

- puncturing the refrigerant channels in the evaporator.
- bending any pipework.
- scratching the surface coating.

Splashes of refrigerant can damage the eyes.

# How to save energy

	<b>Normal energy consumption</b>	<b>Increased energy consumption</b>
<b>Installation site</b>	In a ventilated room.	In an enclosed, unventilated room.
	Protected from direct sunlight.	In direct sunlight.
	Not near to a heat source (radiator, oven).	Near to a heat source (radiator, oven).
	Where the ideal ambient room temperature is approx. 20°C.	Where there is a high ambient room temperature.
	Do not cover the ventilation gaps and dust them regularly.	
<b>Temperature setting with a thermostat which is approximate (set in stages).</b>	With a medium setting of 2 to 3.	With a high setting: the lower the temperature in the compartment, the higher the energy consumption.
<b>Temperature setting with a thermostat which is exact to the degree (digital display).</b>	Larder section 8 to 12 °C	On appliances with winter setting, please make sure that the winter setting is switched off when the ambient temperature is warmer than 16 °C .
	Refrigerator section 4 to 5 °C	
	PerfectFresh zone just above 0 °C	
	Freezer section -18 °C	
	Wine storage section 10 to 12 °C	
<b>Use</b>	Drawers, shelves and racks arranged as they were when the appliance was delivered.	
	Only open the door when necessary and for as short a time as possible.	Frequent opening of the door for long periods will cause a loss of coldness.
	Store food in an organised way.	Searching for an item will mean the door is open for longer.
	Allow hot food and drinks to cool down before placing them in the appliance.	Hot food will cause the compressor to run for a long time, as the appliance will have to work harder to reduce the temperature.
	Store food covered or packaged.	The evaporation or condensation of liquids will cause a loss of coldness in the refrigerator.
	Place frozen food in the refrigerator to defrost.	
	Do not over-fill the appliance to allow air to circulate.	
<b>Defrosting</b>	Defrost the freezer section when a layer of ice 0.5 cm thick has built up.	A layer of ice hinders the cold from reaching the frozen food, and increases energy consumption.

## Before using for the first time

### Protective foil

The stainless steel trim on the interior shelves and the door shelves has a layer of protective foil to prevent damage during transportation. On stainless steel appliances, the outer surfaces are also covered with protective foil.

- Do not remove the foil until the appliance has been positioned in its final location.

### Cleaning and care

- Treat the stainless steel trim to the interior shelves and the door shelves with the Miele stainless steel conditioner supplied as soon as you have removed the foil.
- On stainless steel appliances also treat the side panels with the Miele stainless steel conditioning agent supplied as soon as you have removed the protective foil. The appliance doors have a special finish which is resistant to soiling. **Do not use** Miele stainless steel conditioner on the appliance door.

Important. Each time it is used, the Miele stainless steel conditioning agent forms a water and dirt repellent protective coating.

- Clean the inside of the appliance and the accessories with lukewarm water and a little washing up liquid, and then dry with a soft cloth.

### Active charcoal filters (Active AirClean filters)

- Place the active charcoal filters supplied in the holder, and place the holder on one of the shelves inside the refrigerator (see "Active charcoal filters").

## Operating the appliance

A light touch of the finger on the sensors is all that is required to operate this appliance.

### Switching on



- Touch the On/Off sensor until the temperature display comes on.

The appliance will start to cool, and the interior lighting will come on when the door is opened.

To enable the temperature to get sufficiently cold inside the appliance, allow the appliance to run for a few hours before placing food in it.

# Switching on and off

## Switching off



- Touch the On/Off sensor until all of the indicators go out (If this does not happen, the safety lock is still activated).

The interior light will not come on when you open the door and the cooling process will be switched off.

## Settings mode

Certain settings on the appliance can only be selected in settings mode.

How to select settings mode and how to change settings is described in the relevant section of these instructions.

Overview of functions that can be selected in settings mode:

To enter or leave settings mode	<i>c</i>
To switch the sensor tones on/off (see "Switching on and off")	<i>b</i>
To confirm that the active charcoal filters have been changed (see "Active charcoal filters")	<i>h</i>
To switch the safety lock on/off (see "Switching on and off")	<i>u</i>
To change the brightness of the temperature display (see "The correct temperature")	<i>d</i>
To adjust the temperature in the PerfectFresh zone (see "The correct temperature")	<i>a</i>

The door alarm is automatically disabled when the appliance is in settings mode. As soon as the door is closed, the door alarm is activated again.

## Switching the sensor tones on/off

The sensor tone which sounds each time a sensor is touched can be deactivated.



- Touch and leave your finger on the ∨ sensor.



- At the same time, briefly touch the On/Off sensor (without letting go of the ∨ sensor).
- Leave your finger on the ∨ sensor for another 5 seconds until **c** appears in the display.
- Touch the ∨ sensor repeatedly until **b** appears in the display.
- Touch the On/Off sensor again.
- By touching the ∨ sensor, you can now select whether the sensor tones are switched on or off:
  - b 0**: Sensor tones are switched off
  - b 1**: Sensor tones are switched on
  - b -**: Return to menu.

The old setting lights up, and your newly selected setting flashes.

- Touch the On/Off sensor to confirm a new setting.
- Touch the ∨ sensor repeatedly until **c** appears in the display.
- Touch the On/Off sensor.

You have now left settings mode.

## Activating or de-activating the safety lock

The safety lock can be activated to prevent the appliance being switched off inadvertently.



- Touch and leave your finger on the ∨ sensor.



- At the same time, briefly touch the On/Off sensor (without letting go of the ∨ sensor).
- Leave your finger on the ∨ sensor for another 5 seconds until **c** appears in the display.
- Touch the ∨ sensor repeatedly until **u** appears in the display.
- Touch the On/Off sensor again.
- By touching the ∨ sensor, you can now select whether the safety lock is switched on or off:
  - u 0**: The safety lock is deactivated
  - u 1**: The safety lock is activated
  - u -**: Return to menu.


The old setting lights up, and your newly selected setting flashes.

- Touch the On/Off sensor to confirm a new setting.
- Touch the ∨ sensor repeatedly until **c** appears in the display.
- Touch the On/Off sensor.

# Switching on and off

---

You have now left settings mode.

The safety lock indicator  will light up in the temperature display when the safety lock has been activated.

## Switching off for longer periods of time

If the appliance is not going to be used for a longer period of time, e.g. whilst on holiday:

- switch the appliance off,
- disconnect it from the mains.
- clean the appliance out and
- leave the door ajar to air the appliance.

If, during a long absence, the appliance is switched off but not cleaned out and the door is left shut, there is a danger of mould and odours building up inside the appliance.



# The correct temperature

It is very important to set the correct temperature for storing food in the appliance. Micro-organisms will cause food which is not stored at the correct temperature to deteriorate rapidly. Temperature influences the growth rate of these micro-organisms. Reducing the temperature reduces their growth rate.

The temperature in the appliance will rise:

- the more often the door is opened and the longer it is kept open,
- the more food that is stored in it,
- the warmer the food is which is being put into it,
- the higher the ambient temperature surrounding the appliance.

The appliance is designed for use in specific ambient temperatures (climate ranges). Do not use in ambient temperatures for which it is not designed.

## ... in the refrigerator and the PerfectFresh zone

We recommend a temperature of **4 °C** in the middle of the refrigerator.

The temperature in the PerfectFresh zone is controlled automatically, and is maintained at **0 to 3 °C**.

## Dynamic cooling

The dynamic cooling fan automatically switches on when the cooling system for the refrigerator switches on. It distributes the temperature in the appliance to all areas evenly so that all the food will be chilled to about the same degree.

## Setting the temperature

The temperature inside the appliance can be selected by touching the arrow sensors on either side of the temperature display.

By touching the



∇ sensor: the temperature will get colder

∧ sensor: the temperature will get warmer.

The temperature being set will flash in the display.

When touching the sensors, the following information shows in the display:

- When first touched, the **last temperature selected** flashes.
- Each subsequent touch of a sensor, adjusts the temperature shown in 1 °C steps.

# The correct temperature

---

- Leaving a finger on the sensor, adjusts the temperature continuously. When the highest or lowest temperature in the range is reached, the √ or ∧ sensor disappears.

Approx. 5 seconds after taking your finger off the sensor, the **average, current** temperature inside the appliance is automatically shown.

If you have adjusted the temperature, **wait for approx. 6 hours if the appliance is not very full and for approx. 24 hours if the appliance is full** before checking the temperature display, as it will take this long for the display to give an accurate reading. If, after this time, the temperature is still too high or too low, you will need to adjust it again.

## Temperature range

The temperature can be adjusted from 3 °C to 9 °C.

The ambient temperature in the room and the installation location can affect the time it takes for the appliance to reach the lowest temperature. If the ambient temperature is too high, the appliance may not reach the lowest temperature.

## Setting the temperature in the PerfectFresh zone

The temperature in the PerfectFresh zone is automatically held at 0 to 3 °C. It can be raised or lowered, e.g. if you want to use it for storing items like fish.



- Touch and leave your finger on the ∇ sensor.



- At the same time, briefly touch the On/Off sensor (without letting go of the ∇ sensor).
- Leave your finger on the ∇ sensor for another 5 seconds until ⌘ appears in the display.
- Touch the ∇ sensor repeatedly until ⌘ appears in the display.
- Touch the On/Off sensor.
- You can now adjust the temperature in the PerfectFresh zone by touching the ∇ sensor. You can choose from settings 1 to 9:
  - ⌘ 1: Lowest temperature,
  - ⌘ 9: Highest temperature.
  - ⌘ -: Return to menu.

The old setting lights up, and your newly selected setting flashes.

- Touch the On/Off sensor to confirm a new setting.
- Touch the ∇ sensor repeatedly until ⌘ appears in the display.
- Touch the On/Off sensor.

You have now left settings mode.

▫ 5 is the default setting for the PerfectFresh zone. If a setting of ▫ 1 to ▫ 4 is selected, the temperature can fall below 0°C. Food could freeze!

## Temperature display

During normal operation, the temperature display on the control panel shows the average temperature in the refrigerator.

The **temperature display will flash** if

- the temperature is not within the possible temperature range (0 °C to 19 °C),
- a different temperature is being set.

## Changing the temperature display brightness

The temperature display brightness can be adjusted to suit the lighting conditions of the room.



- Touch and leave your finger on the ∇ sensor.



- At the same time, briefly touch the On/Off sensor (without letting go of the ∇ sensor).

- Leave your finger on the ∇ sensor for another 5 seconds until ⚡ appears in the display.
- Touch the ∇ sensor repeatedly until Ⓜ appears in the display.
- Touch the On/Off sensor again.
- The temperature display brightness can now be changed by touching the ∇ sensor:
  - Ⓜ 0: Maximum brightness
  - Ⓜ 1: Reduced brightness
  - Ⓜ -: Return to menu.

The old setting lights up, and your newly selected setting flashes.

- Touch the On/Off sensor to confirm a new setting.
- Touch the ∇ sensor repeatedly until ⚡ appears in the display.
- Touch the On/Off sensor.

You have now left settings mode.

# Alarm

---

Your appliance has been fitted with an alarm to avoid energy being wasted if the door is left open and to prevent stored food becoming too warm.

The alarm will sound if the door is left open for more than approx. 2 minutes.

The Alarm off sensor will light up red and the "Cooling" symbol will flash.

The alarm will stop and the indicators will go out as soon as the door is closed.

## To switch off the door alarm whilst the door is still open

If you want to keep the door open intentionally for more than approx. 2 minutes, you can switch the alarm off.



- Touch the Alarm off sensor.  
The alarm will stop.  
The Alarm off sensor will light up constantly and the "Cooling" symbol will continue to flash until the door has been closed.

## To switch on the door alarm

The alarm system switches back on automatically as soon as the door is closed. It does not have to be switched on manually.

## The Super cool function

The Super cool function can be used to rapidly reduce the temperature in the refrigerator to its lowest setting (depending on the room temperature).

### Switching on Super cool

Super cool is particularly recommended for the faster chilling of large amounts of fresh food or drink.



- Touch the Super cool sensor. It will light up yellow.

The appliance will then work at full power to lower the temperature.

### Switching off Super cool

The Super cool function will switch itself off automatically after approx. 6 hours. The appliance will then continue to work at normal power.

To save energy, the Super cool function can be switched off once food and drinks are sufficiently chilled.

- Touch the Super cool sensor so that the yellow indicator is dimmed.

The appliance will continue running at normal power.

# Storing food in the refrigerator

---

## Different storage zones

Due to the natural circulation of the air in the appliance, there are different temperature zones in the refrigerator. Cold, heavy air sinks to the lowest section of the appliance. Make use of the different zones when placing food in the appliance.

This appliance has automatic dynamic cooling, which helps to keep an even temperature when the fan is running, making the difference between the various zones less pronounced.

## Warmest area

The warmest area is in the top section of the door. Use this for storing butter and cheese.

## Coldest area

The coldest area in the refrigerator is directly above the PerfectFresh zone. However, the PerfectFresh zone is even colder.

Use these areas in the refrigerator and in the PerfectFresh zone for all delicate and highly perishable food, e.g.

- fish, meat, poultry,
- sausage products, ready meals,
- dishes or baked goods containing eggs or cream,
- fresh dough, cake mixtures, pizza or quiche dough,
- soft cheese and other dairy products,

- pre-packed vegetables and other fresh food with a label stating it should be kept at a temperature of approx. 4 °C.

Do not store explosive materials in the appliance or any products containing propellants (e.g. spray cans). Danger of explosion.

If storing alcohol with a high percentage proof, make sure it is tightly closed, and store upright.

If storing food which contains a lot of fat or oil, make sure that it does not come into contact with plastic components as this could cause stress cracks.

Food must not touch the back wall of the refrigerator, as it may freeze to the back wall.

To allow air to circulate efficiently, do not pack food too closely together in the refrigerator. Do not cover the fan in the rear wall of the refrigerator, as this is essential for keeping the appliance cool.

## Food which is not suitable for storing in the refrigerator

Not all food is suitable for storing in a refrigerator at temperatures below 5 °C, as some food is sensitive to cold. Cucumbers, for example, become glassy, aubergines bitter and potatoes sweet. Tomatoes and oranges lose their aroma, and the peel on citrus fruits hardens.

Food which is sensitive to cold includes:

- Pineapples, avocados, bananas, pomegranates, mangos, melons, papayas, passion fruit, citrus fruit (such as lemons, oranges, mandarins, grapefruit),
- Fruit which is not yet ripe
- Aubergines/egg plant, cucumbers, potatoes, peppers/capiscum, tomatoes, courgettes/zucchini,
- Some hard cheeses, e.g. Parmesan

## When shopping for food

The freshness of food when first placed in the appliance is an important factor in determining how long it stays fresh, and how long it can be kept in the refrigerator. Time out of the refrigerator, e.g. during transportation, should be kept to a minimum. For example, do not allow food to stay in a hot car for too long. Once food has started to deteriorate, this process cannot be reversed. As little as two hours outside the refrigerator can cause food to start deteriorating.

## Storing food correctly

Food should generally be stored covered or packaged in the refrigerator (there are some exceptions to this rule in the PerfectFresh zone - see below). This will prevent food smells from affecting other food, food from drying out, and also any cross-contamination of bacteria. The growth of bacteria, such as salmonella, can be avoided by setting the correct temperature and maintaining good standards of hygiene.

## Unpacked meat and vegetables

Unpackaged meat and vegetables should be stored separately. To avoid any microbiological cross-contamination, these foods may only be stored together if they are wrapped.

# Storing food in the PerfectFresh zone

---

Food is stored at a lower temperature in the PerfectFresh zone than in the refrigerator section. The humidity in the PerfectFresh zone compartment can also be regulated to suit the food being stored, providing ideal storage conditions and ensuring that food stays fresh considerably longer while retaining both flavour and vitamins.

## Storage temperature

The optimum storage temperature for fresh food which can tolerate cold temperatures is 0 - 3 °C. This is the temperature range which is automatically maintained in the PerfectFresh zone. Food can be stored there at this temperature without loss of freshness for considerably longer than in a standard refrigerator, as the deterioration process is decelerated at this temperature.

Remember that the fresher the food when placed in the appliance, the longer it will stay fresh.

## Humidity level

The humidity level in the PerfectFresh compartment will depend on

- the moisture content of the food being stored and
- the quantity of food being stored.

Use the regulator to adjust the humidity level in the PerfectFresh compartment.

The closer the storage humidity is to the humidity content of the food, the crisper and fresher the food remains over a

longer period, as the water content of the food is largely retained.

## Storing food in the PerfectFresh zone compartments

The PerfectFresh zone is divided into two areas, the dry compartment and the humidity-controlled compartment (the number of compartments will vary depending on model).

### Dry compartment

The dry compartment has a relatively low humidity level that is approx. the same as that in the refrigerator. So the main advantage of the dry compartment is the low temperature (rather than the humidity).

- The dry compartment is ideal for storing particularly sensitive foods, such as fresh fish, shellfish, meat, poultry, sausages, dairy products and salad.

Please note that foods rich in protein deteriorate faster than others.

Shellfish, for example, deteriorates faster than fish, and fish deteriorates faster than meat.



# Storing food in the PerfectFresh zone

Always keep these foods **covered or wrapped**.

**Exception: Meat.** The surface of the meat dries out slightly, helping to prevent the growth of bacteria, which results in the meat lasting longer. To prevent the risk of bacterial cross-contamination and meat deteriorating, do not let one type of meat come into direct contact with another type.

## Humidity-controlled compartment

The humidity-controlled compartment has a regulator which is used to adjust the relative humidity.

Slide the regulator to the relative humidity level required.

◆◆ = high humidity. The regulator closes the vents to the compartment and retains the humidity already present. The humidity level greatly depends on the type and quantity of food being stored.

Please take into account that high humidity is only achieved and effective if the food is stored **unwrapped or loosely wrapped**.

- The high humidity setting ◆◆ is ideal for storing freshly harvested produce such as vegetables, salad, herbs, cabbage and home-grown seasonal fruit.

◆ = low humidity.

The regulator opens the vents to the compartment and the humidity can escape.

If the regulator is set at low humidity ◆ the humidity will be approx. the same as the humidity in the refrigerator section. At this setting, the low temperature is the main advantage of the compartment rather than the humidity.

- At the low humidity setting ◆, the atmosphere inside the humidity-controlled compartment is the same as in the dry compartment.

Take food out of the PerfectFresh zone approx. 30 - 60 minutes before using it. The aroma and taste do not fully develop until the food has reached room temperature.

## Can all types of food be stored together?

Do not place all types of food together in one compartment. Some types of food do not store well together. Aromas and flavours can transfer from one type of food to another (e.g. carrots absorb the smell and flavour of onions very easily). Some food also gives off a natural gas (ethylene) which speeds up the rate at which other food perishes.

# Storing food in the PerfectFresh zone

---

## **Examples of fruit and vegetables which produce a large amount of this natural gas are:**

Apples, apricots, pears, nectarines, peaches, plums, avocados, figs, blueberries, melons and beans.

## **Examples of fruit and vegetables which react strongly to the natural gases given off by other types of fruit and vegetables are:**

Kiwis, broccoli, cauliflower, Brussels sprouts, mangos, honeydew melons, apples, apricots, cucumbers, tomatoes, pears, nectarines and peaches.

**Example:** Broccoli should not be stored with apples, as apples produce a large amount of natural gas to which broccoli is very sensitive. The result is a shorter than expected storage time for the broccoli.

## Storing food in the PerfectFresh zone

---

**The following tips may help if you find that food you have stored does not keep well (e.g. food becomes limp or wilts after only being stored for a short time):**

- Only use the appliance for storing fresh food. The condition of the food when it is first placed in the appliance is an important factor in determining how long it stays fresh.
- Clean food before placing it in the PerfectFresh zone.
- Allow very moist food to drain before placing it in the appliance.
- Do not store food which is sensitive to cold in the PerfectFresh zone (see "Food which is not suitable for storing in the refrigerator")
- Bear in mind that not all types of food can be stored together (see "Can all types of food be stored together?").
- Select the correct PerfectFresh compartment (high or low humidity).
- Store food unwrapped in the high humidity PerfectFresh compartment. High humidity in the PerfectFresh compartment can only be achieved by storing food which contains moisture in it.  
If the humidity is not high enough, because, for example, too little food has been stored in the compartment, you can use a wet sponge to increase the humidity.
- If you think that the temperature in the PerfectFresh zone is too high or too low, try regulating it via the refrigerator section by altering the temperature of the refrigerator section slightly by 1 to 2 °C.  
The temperature must be increased if ice crystals start to form on the floor of the PerfectFresh zone as otherwise the cold temperature will damage the food.
- If a lot of water has gathered on the base of the PerfectFresh zone, dry the base with a towel. Drain food before storage or place a rack on the floor of the PerfectFresh zone and place the food on the rack so that the moisture can drip down.

# Adjusting the interior fittings

## Moving the shelves

The shelves can be adjusted according to the height of the food.

- Raise the shelf, and pull it forwards slightly until the notch at the side is in line with the shelf support. It can then be raised or lowered to the required level.

The raised edge at the back must face upwards to prevent food from touching the back of the appliance and freezing to it.

Stoppers prevent the shelves from being dislodged by mistake.

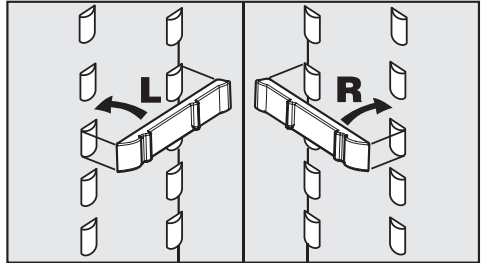
## Split shelf

In order to accommodate tall items in the appliance, one of the shelves is divided. The front section can be pushed under the rear section.

- Push the rear half of the glass shelf up slightly from below.
- At the same time, pull the front half of the glass shelf forwards slightly and then push it carefully under the rear half.

To move the split shelf:

- Take both halves of the split glass shelf out,



- fit the two brackets onto the supports on either side at the required height,
- and push the glass shelves in one after the other. The shelf with the raised edge must be at the back.

# Adjusting the interior fittings

## PerfectFresh zone compartments

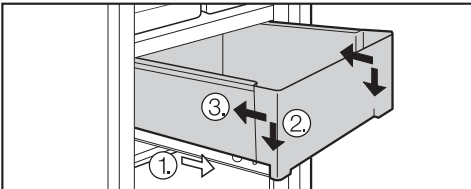
The compartments in the PerfectFresh zone are on telescopic rails, and can be removed for filling, emptying or cleaning purposes.

- Pull out the compartment as far as it will go, and then lift it up and out.

Push the runners back in again to avoid injury or damage.

- Carefully pull out the lid between the compartments slightly, and lift it down and out.
- To replace it, insert the compartment lid from beneath into the holders, and push it back into place.

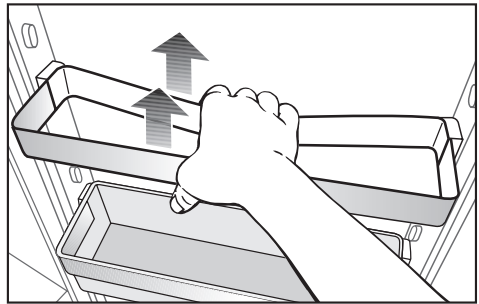
To replace the compartment,



- place it back on the fully extended runners ①. The front of the runners must be right up against the front of the compartment ②.
- Then push the compartment back in ③.

## Adjusting the condiment tray/bottle shelf

- Lift the tray/shelf up and out of the stainless steel frame to remove.
- Push up the stainless steel frame, and remove.
- Replace the frame at the required height. Ensure that it is securely pushed back into position.



- Some stainless steel frames are easier to remove and replace if you put your hand behind the back bar of the frame and lift it upwards.
- Replace the tray/shelf in the frame.

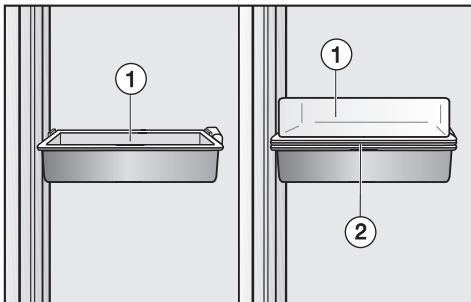
The tray/shelf can be removed completely and used as a serving tray at the table.

# Adjusting the interior fittings

## Universal container

(depending on model)

The universal container can be used both to store and serve food.



It consists of a deep tray ① and a shallow tray ②. Both trays fit the stainless steel frame.

If you wish to use the universal container to serve food,

- place the shallow tray ② in the stainless steel frame, and use the deep tray as a lid ①.

You can lift the universal container, including contents, out of the frame and take it to the table.

## Moving the bottle divider

The bottle divider can be moved to the left or right to ensure that bottles are held securely in position when the door is opened and shut.

The bottle divider can be removed completely (e.g. for cleaning).

- To do this, push up the front edge of the bottle divider, and disengage it.

## Refrigerator section and PerfectFresh zone

The refrigerator section and the PerfectFresh zone defrost automatically.

Condensate and frost can build up on the back wall of the refrigerator section and the PerfectFresh zone whilst in use. You do not need to remove this, as it will defrost and evaporate automatically with the warmth generated by the appliance.

The condensate is drained away via a channel and drain hole into an evaporation system at the back of the appliance.

Ensure that the condensate channel and drain hole are kept clean and are never blocked so that condensate can flow away without hindrance.

# Cleaning and care

A range of Miele branded cleaning and conditioning products is available to order from Miele or from [www.miele-shop.com](http://www.miele-shop.com).

Make sure that no water can penetrate into the electronic unit or into the light.

Do not let water get into the condensate channel and drain hole when cleaning.

Do not use steam cleaning apparatus to clean the appliance. Steam could reach electrical components and cause a short circuit.

The data plate located inside the appliance must not be removed. It contains information which is required in the event of a service call.

The stainless steel door has a special finish which is resistant to soiling.

**Do not treat** the door with stainless steel conditioning agent as this will cause noticeable smearing.

However, do use Miele stainless steel conditioning agent to treat the other stainless steel surfaces of the appliance (available from Miele or [www.miele-shop.com](http://www.miele-shop.com)).

Unlike stainless steel cleaning agents, the conditioning agent does not contain any abrasive substances and will gently remove soiling. Each time it is used, it forms a water and dirt repellent protective coating.

## To avoid damaging the surface of your appliance, do not use:

- cleaning agents containing soda, ammonia, acids or chlorides,
- cleaning agents containing descaling agents,
- abrasive cleaning agents, e.g. powder cleaners and cream cleaners,
- solvent-based cleaning agents,
- stainless steel cleaning agents,
- dishwasher cleaner,
- oven sprays,
- glass cleaning agents,
- hard, abrasive sponges and brushes, e.g. pot scourers,
- melamine eraser blocks,
- sharp metal scrapers.

## Before cleaning

- Switch the appliance off.
- Disconnect the appliance from the mains.
- Take any food out of the appliance and store it in a cool place.

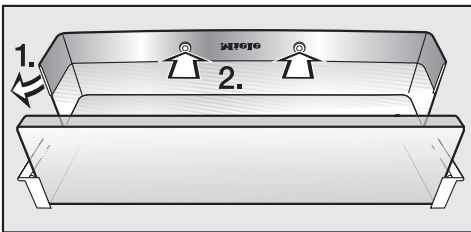


- The bottle shelf and condiment tray in the door can be removed from their stainless steel frames for cleaning.

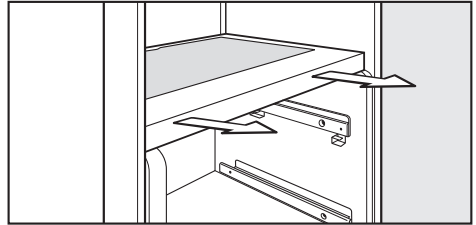
To remove the stainless steel trim from the lid of the butter and cheese compartment (in the top of the door), proceed as follows:

- Take the butter and cheese compartment out of the refrigerator section.
- Open the lid of the compartment.

The stainless steel trim is a tight fit across the plastic lid and will require sufficient force to detach it.



- Detach the stainless steel trim from the edge of the lid (1.) at one side and remove.
- Press the white plastic stoppers out of notches (2.).
- Remove the compartments and the lid from the PerfectFresh zone (see "Adjusting the interior fittings - PerfectFresh zone compartments")



- Pull the dividing plate out with both hands.
- Take out any removable parts, e.g. shelves, for cleaning.

### Cleaning the interior and accessories

- Clean the appliance at least once a month.

Remove soiling immediately to prevent it from drying on.

Use lukewarm water with a little washing-up liquid.

The following are dishwasher safe:

- the butter dish, egg trays (supplied as standard, depending on model)
- the bottle shelf and condiment tray in the door (removed from their stainless steel frames)
- the butter and cheese compartment (with the stainless steel trim removed)

The stainless steel frames and the stainless steel trim on the butter and cheese compartment in the door are **not** suitable for cleaning in a dishwasher.

## Cleaning and care

---

The temperature of the dishwasher programme must not exceed 55 °C. Contact with some foodstuffs, such as carrots, tomatoes or ketchup can cause plastic items to discolour. However, this discolouration will not affect the stability of plastic items.

- Clean the interior shelves, drawers, lid and dividing plate by hand. These are **not** suitable for cleaning in a dishwasher.
- Clean the condensate channel and drain hole frequently, so that condensate can drain away unhindered. Use a straw or similar to clear the drain hole if necessary.
- After cleaning, wipe the interior and accessories with a damp cloth and dry with a soft cloth. Leave the door open to air the appliance for a short while.
- Miele stainless steel conditioning agent can be used to remove any soiling from the stainless steel frames and trim.
- It is important to treat the stainless steel frames and trim with Miele stainless steel conditioning agent each time they are cleaned. This will protect the surface and help prevent resoiling.

### Appliance door, side panels

Remove any soiling from the appliance door and side panels immediately. If this is not done, it might become impossible to remove and could cause the surface to alter or discolour.

All surfaces are susceptible to scratching. Contact with unsuitable cleaning agents can alter or discolour the surfaces.

- The surfaces should be cleaned using a solution of hot water and a little washing-up liquid applied with a soft sponge. They can also be cleaned with a damp microfibre cloth (without using any cleaning agent).
- After cleaning, wipe with clean water and dry with a soft cloth.

## Stainless steel appliances

### – Appliance door

The appliance door has a high quality, special finish which is resistant to soiling and is very easy to clean.

**Do not use** the following to clean/condition the door

- stainless steel cleaning agent: this will damage the surface.
- Miele stainless steel conditioning agent: this will cause noticeable smearing.

### – Side panels

- Use Miele stainless steel conditioning agent to remove any soiling.
- **Make sure** you treat the side panels with Miele stainless steel conditioning agent each time you clean them. Unlike stainless steel cleaning agents, the conditioning agent does not contain any abrasive substances. It will give them a water and dirt repellent protective coating and help prevent re-soiling.

## Ventilation gaps

- The ventilation gaps should be cleaned regularly with a brush or vacuum cleaner. A build-up of dust will increase the energy consumption of the appliance.

## Door seal

Do not use any oils or grease on the door seal as these will cause the seal to deteriorate and become porous over time.

- The door seal should be cleaned regularly with clean water and then wiped dry with a soft cloth.

## Metal grille at the back of the appliance

The metal grille at the back of the appliance (heat exchanger) should be dusted at least once a year. A build-up of dust will increase the energy consumption of the appliance.

When cleaning the grille, make sure that the pipework and other components do not get broken or damaged in any way.

## After cleaning

- Push the dividing plate in until it clicks into place.
- Replace all shelves and accessories in the appliance.
- Reconnect to the mains and switch the appliance back on.
- Switch on the Super cool function for a while so that the appliance can cool down quickly.
- Place food back in the appliance and close the door.

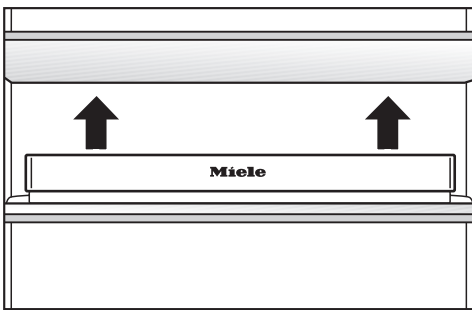
## Active charcoal filters

The active charcoal filters should be changed approx. every 6 months.

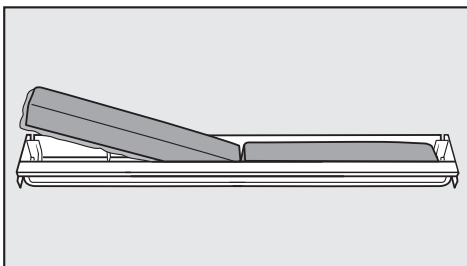


When the Change active charcoal filter indicator lights up red, the active charcoal filters need to be changed.

### To change the active charcoal filters



- Pull the active charcoal filter holder upwards to remove it from the shelf.



- Take out the two filters and fit the new filters into the holder with the protruding edge facing downwards.
- Place the holder in the middle of the raised edge at the back of the shelf, so that it clicks into position.

To confirm the filters have been changed



- Touch the Change active charcoal filter indicator for approx. 2 seconds.

The indicator light will go out, and the counter will be reset.

### To delay changing the active charcoal filters

If you do not have new active charcoal filters, you can order them from your Miele dealer or from Miele.

You can switch off the Change active charcoal filter indicator early, if you would prefer not to have the red indicator showing.



- Touch the Change active charcoal filter indicator for approx. 2 seconds.

The Change active charcoal filter indicator will go out.

If you have delayed changing the active charcoal filters and the indicator is not lit up, you will need to reset the counter when you replace the active charcoal filters via the settings mode.



- Touch and leave your finger on the √ sensor.



- At the same time, briefly touch the On/Off sensor (without letting go of the √ sensor).
- Leave your finger on the √ sensor for another 5 seconds until **c** appears in the display.
- Touch the √ sensor repeatedly until **h** appears in the display.
- Touch the On/Off sensor.
- Touch the √ sensor repeatedly until **h 2** appears in the display.
- Touch the On/Off sensor for approx. 2 seconds to confirm.

The counter is now reset.

- Touch the √ sensor repeatedly until **c** appears in the display.
- Touch the On/Off sensor.

You have now left the settings mode.

### Useful tip:

When you are storing foods with a strong smell (such as ripe cheeses),

- place the holder containing the active charcoal filters on the shelf where the food is going to be stored,
- change the active charcoal filters early if required (remembering to reset the counter),
- and place more active charcoal filters (in holders) in the appliance.

Active charcoal filters and holders can be obtained from your Miele dealer or from Miele.

# Problem solving guide

---

Repairs to electrical appliances should only be carried out by a suitably qualified and competent person in strict accordance with current local and national safety regulations. Repairs and other work by unqualified persons could be dangerous. The manufacturer cannot be held liable for unauthorised work.

## What to do if . . .

### . . . the appliance does not get cold.

- Check whether the appliance has been switched on. The temperature display must be lit up.
- Check that the plug is correctly inserted into the socket and switched on.
- Check that the fuse is not defective and the mains fuse has not tripped. If it has, contact a qualified electrician or the Miele Service department.

### . . . the appliance does not get cool although the display is lit up.

Demo mode has been activated. This allows the appliance to be displayed in the showroom without the cooling system being switched on. Do not activate this setting for domestic use!

- Deactivate the demo mode (see "Information for dealers - demo mode").

### . . . the temperature in the refrigerator section is too low.

- Select a warmer temperature.
- The Super cool function is still switched on. Super cool only switches itself off after 6 hours.

### . . the alarm sounds.

Has the appliance door been open for longer than 2 minutes?

- Close the door.

### . . . the compressor is switching in too frequently and for too long.

- Check whether the ventilation gaps have been covered over or become dusty.
- Check whether the metal grille (heat exchanger) at the back of the appliance has become too dusty.
- The door has been opened too frequently, or a large amount of food has been put in at once.
- Check that the door has been closed properly.

### . . . the compressor runs continuously.

To save energy, the compressor runs at a lower speed, but for longer, when less cooling is required.

### ... the interior lighting is not working.

- Was the door left open for too long? The lighting switches itself off automatically after approx. 15 minutes if the door is left open.

If this is not the case, then the interior lighting is defective.

- Call Miele Service.

The LED lighting may only be repaired or replaced by a service technician. There are live electrical components under the cover. Danger of injury and damage.

Do not remove the cover. If the cover is damaged or needs to be removed due to damage, **exercise caution**. There are lasers in the lighting (laser beam class 1M) which you should avoid looking at directly. Do not use optical instruments (magnifying glass or similar) to look at the lighting either.

### ... the Change active charcoal filter indicator is red.

- Replace the active charcoal filters.

You can order replacement filters via your Miele dealer or Miele.

### ... "F" appears in the temperature display.

There is a fault. Call Miele Service.

### ... you cannot switch the appliance off.

The safety lock has been activated.

### ... the floor of the refrigerator is wet.

The condensate drain hole is blocked.

- Clean the condensate channel and drain hole.

If you still cannot remedy the fault having followed these suggestions, please contact the Miele Service Department.

To prevent unnecessary loss of temperature it is advisable not to open the door while waiting for the appliance to be serviced.

# Noises

Normal noises	What causes them
<b>Brrrrr...</b>	Humming noise made by the motor (compressor). This noise can get louder for brief periods when the motor is switching on.
<b>Blubb, blubb....</b>	A gurgling noise can be heard when coolant is circulating through the pipes.
<b>Click....</b>	Clicking sounds are made when the thermostat switches the motor on and off.
<b>Sssrrrrr....</b>	On multi-zone and frost-free appliances you can sometimes just hear the movement of air circulating inside the appliance.
<b>Creak ...</b>	Creaking sounds can be heard when material inside the appliance expands.

Remember that the noise of the compressor and the coolant circulating in the system is unavoidable.

Noises that you can easily rectify	What causes them, and what can you do about them
<b>Rattling, vibrating</b>	<b>The appliance is uneven:</b> Realign the appliance using a spirit level, by raising or lowering the screw feet underneath the appliance.
	<b>The appliance is touching another appliance or piece of furniture:</b> Move it away.
	<b>Drawers, baskets or shelves are unstable or sticking:</b> Check all removable items and refit them correctly.
	<b>Are any bottles or containers unstable or knocking against each other?</b> Separate them.
	<b>The transport cable clips are hanging loose at the back of the appliance:</b> Remove the clips.



In the event of a fault which you cannot correct yourself, or if the appliance is under guarantee, please contact:

– your Miele Dealer

or

– Miele  
(see back cover for contact details).

When contacting your Dealer or Miele, please quote the model and serial number of your appliance. This information is given on the data plate inside your appliance.

Please note that telephone calls may be monitored and recorded for training purposes.

N.B. A call-out charge will be applied for service visits where the problem could have been resolved as described in these instructions.

### **Guarantee**

For information on the appliance guarantee specific to your country please contact Miele. See back cover for contact details.

In the U.K. your appliance is guaranteed for 2 years from the date of purchase. However, you must activate your cover by calling 0845 365 6640 or registering online at [www.miele.co.uk](http://www.miele.co.uk).

# Information for dealers

---

## Demo mode

The appliance can be demonstrated in the showroom or at exhibitions in "demo mode". In this mode the controls and interior lighting are functioning but the compressor remains switched off.

### To activate/deactivate demo mode

- Switch on the appliance.
- Touch and leave your finger on the  $\vee$  sensor. At the same time touch the On/Off sensor once (without letting go of the  $\vee$  sensor).
- Touch the  $\vee$  sensor 4 times, on the 5th time touch the  $\vee$  sensor and leave your finger on it until  $P$  appears in the display.
- Touch the  $\vee$  sensor repeatedly until  $n$  appears in the display.
- Touch the On/Off sensor.
- By touching the  $\vee$  sensor, you can now select whether the demo mode is activated or deactivated:
  - $n \text{ } \square$ : Demo mode is deactivated
  - $n \text{ } \uparrow$ : Demo mode is activated
  - $n \text{ } -$ : Return to menu

The old setting lights up, and your newly selected setting flashes.

- Touch the On/Off sensor to confirm the new setting.
- Touch the  $\vee$  sensor repeatedly until  $P$  appears in the display.
- Touch the On/Off sensor.

You have now left settings mode.

The demo mode has been activated or deactivated.

## Electrical connection U.K.

All electrical work should be carried out by a suitably qualified and competent person in strict accordance with current local and national safety regulations (BS 7671 in the UK).

The appliance is supplied with a mains cable and moulded plug ready for connection to an a.c. single phase 220-240 V 50 Hz supply.

Please ensure that the connection data quoted on the data plate match the household mains supply.

Connection should be made via a suitable switched socket which is easily accessible. For extra safety it is advisable to protect the appliance with a suitable residual current device (RCD).

Do not connect the appliance to the mains electricity supply by an extension lead. Extension leads do not guarantee the required safety of the appliance (e.g. danger of overheating).

This appliance must not be connected to the inverter of an autonomous power supply, e.g. a solar power system. When switching the appliance on, a surge in power could trigger the safety cut-out mechanism. This could damage the electronic unit.

The appliance must not be used with so-called energy saving devices. These reduce the energy supply to the appliance which could then become too warm. Using such devices could alter the specification of the product.

## Non-rewireable plugs (BS 1363)

The fuse cover must be re-fitted when changing the fuse, and if the fuse cover is lost, the plug must not be used until a suitable replacement is obtained. The colour of the correct replacement cover is that of the coloured insert in the base of the plug, or the colour that is embossed in words in the base of the plug (as applicable to the design of the plug fitted).

Replacement fuses should be ASTA approved to BS 1362 and have the correct rating. Replacement fuses and fuse covers may be purchased from your local electrical supplier.

**WARNING**  
**THIS APPLIANCE MUST BE**  
**EARTHED**

# Installation

Do not place any appliance which gives off heat, such as a toaster or microwave oven, on top of this appliance, as this would increase the appliance's energy consumption.

## Side-by-side installation

To avoid a build-up of condensation and resultant damage, refrigerators and freezers should not generally be installed side by side next to other such appliances.

However, some appliances have side-wall heating making them suitable for side-by-side installation with this refrigerator.

Your dealer will be able to advise you on which models are suitable.

- Follow the instructions for the other appliance on how to install the two appliances side by side.

## Location

This appliance should be installed in a dry, well-ventilated room. It should not be installed where it is exposed to direct sunlight or directly adjacent to a heat-producing appliance such as an oven or a radiator. The room temperature should not go above or below the climate range for which the appliance is designed. The higher the ambient temperature of the room, the more energy the appliance requires to operate.

## Climate range

The appliance is designed for use within certain climate ranges (ambient temperatures), and should not be used outside this range. The climate range of the appliance is stated on the data plate inside the appliance.

Climate range	Ambient room temperature
SN	+10°C to +32°C
N	+16°C to +32°C
ST	+16°C to +38°C
T	+16°C to +43°C

Operating in a room which is too cold will result in the cooling system switching off for too long, causing the internal temperature in the appliance to rise with the risk of food deteriorating and going off.

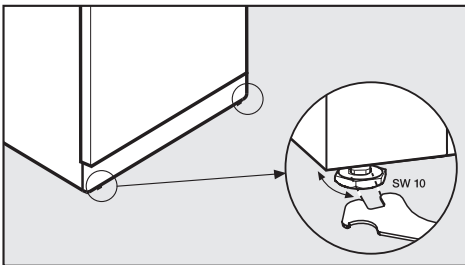
## Ventilation

Air at the back of the appliance gets warm. To ensure sufficient ventilation, the ventilation gaps must not be covered or blocked in any way. They should be dusted on a regular basis.

## Installation

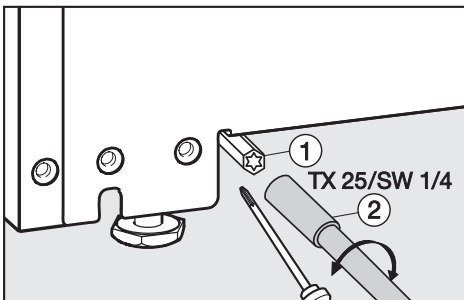
- Remove the cable clip from the back of the appliance.
- Check that all parts at the back of the appliance are unhindered. Carefully remove any hindrance.
- Carefully push the appliance into position with the back against the wall.

## Aligning the appliance



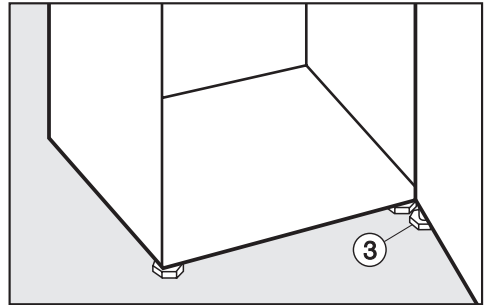
- To align the appliance, adjust the front feet using the spanner supplied.

## Stainless steel appliances



- If necessary, also align the two rear adjusting devices ① using a socket wrench ②. Turn the adjusting device clockwise to raise the appliance up at the back.

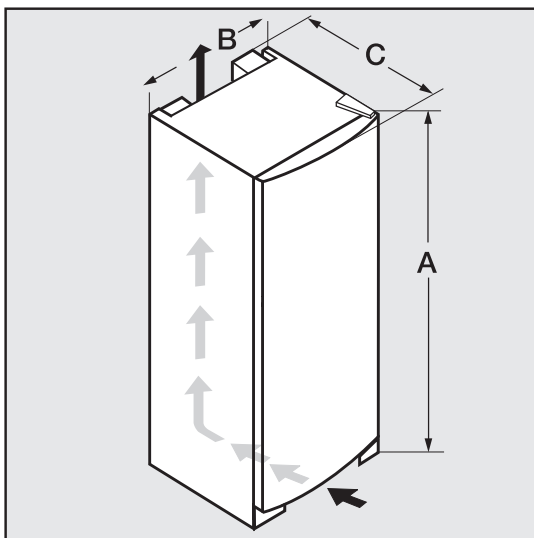
## Levelling the appliance door



- **Ensure** that you unscrew adjusting foot ③ from the hinge plate until it sits on the floor. Then unscrew the foot by a further 90°.

# Installation

## Appliance dimensions



	<b>A</b>	<b>B</b>	<b>C</b>
<b>K 14827 SD</b> <b>K 14827 SD ed/cs</b>	1850 mm	600 mm	630 mm

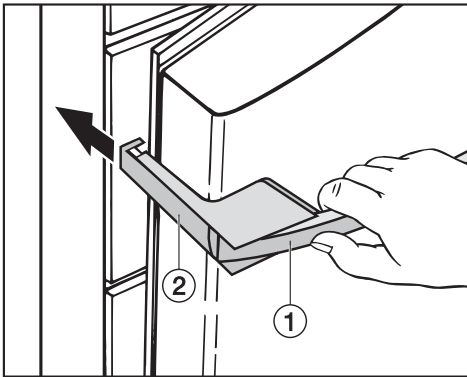
# Changing the door hinging

## To change the door hinging you will need the following tools:

- a cross-slotted screwdriver,
- a flat-bladed screwdriver,
- a selection of Torx screwdrivers,
- a spanner.

Two people are needed for changing the door hinging.

## Removing the door handle



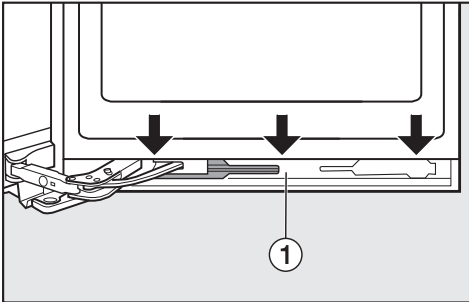
- Pull door handle ① towards you. Side section ② slides back.
- Pull side section ② firmly back out of the guides on the mounting plate.
- Undo the 4 screws (Torx 15) in the mounting plate, and remove the handle.
- Remove the cover caps from the opposite side, and fit them into the empty holes.

# Changing the door hinging

## Removing the soft-close door mechanism

The soft-close door mechanism is at the bottom of the door.

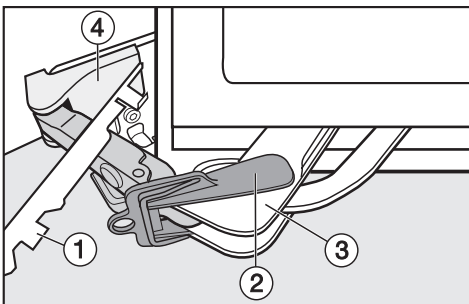
- Open the appliance door.



- Remove panel ① from the soft-close mechanism by inserting a flat-bladed screwdriver into the gap from above and easing it off bit by bit.

Take care not to damage the door seal.

If the door seal is damaged, the door will not close properly and cooling will be impaired.

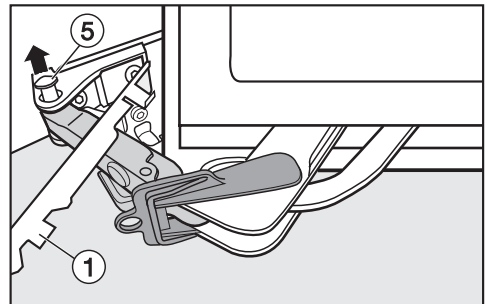


- Slide panel ① towards the appliance, and leave it hanging between the door and the appliance.

- Fit restraining clip ② (supplied with the appliance) onto soft-close mechanism ③.

The restraining clip stops the hinge from snapping shut. Do not remove the clip until told to do so.

- Carefully remove cover ④ from the side using a flat-bladed screwdriver.
- With the help of another person, tip the appliance back slightly.



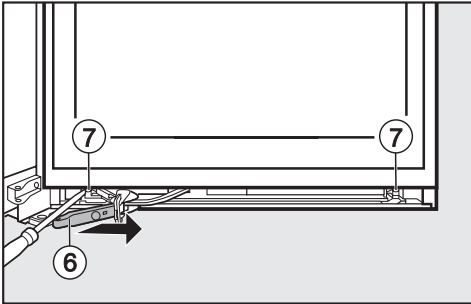
- Push hinge pin ⑤ up and out from underneath.

The soft-close mechanism is now no longer fixed to the appliance.

- Remove panel ①.



# Changing the door hinging

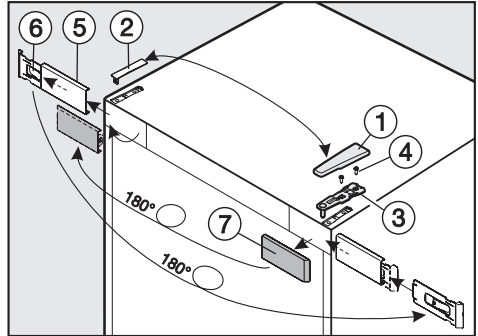


- Slide soft-close mechanism bracket ⑥ as far as it will go towards the handle side of the door, and undo screws ⑦ on the soft-close mechanism.
- Using a flat-bladed screwdriver, slide the soft-close door mechanism towards the handle side of the door, and lever it out at the side.
- Place the soft-close mechanism to one side.

## Changing over the door

Make sure the door shelves are empty.

- Close the appliance door.



- Remove cover ① by sliding it forwards from the back and then lifting it off.
- Remove cover ② by pulling it upwards.

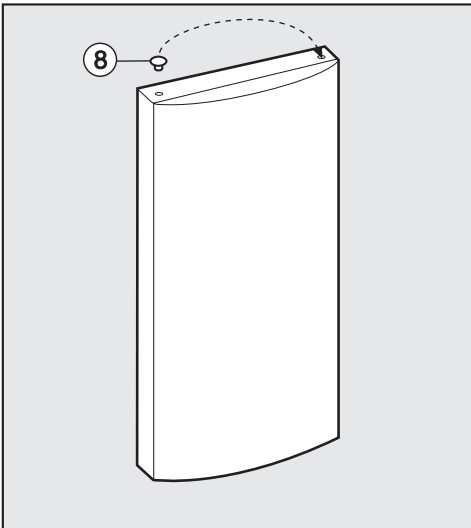
Caution. The appliance door is not secure when the hinge plate has been removed.

- Loosen screws ④ in upper hinge plate ③ and pull it upwards and off.
- Carefully lift the door off and place it to one side.
- Gently loosen cover ⑤ by carefully inserting a flat-bladed screwdriver into the gap from below.
- Remove cover ⑤ together with retaining plate ⑥.

## Changing the door hinging

---

- Then separate retaining plate ⑥ from cover ⑤, by pushing it slightly to the left. Then pull the cover forwards and off.
- Rotate retaining plate ⑥ by 180°.
- Then fit cover ⑤ from the front over retaining plate ⑥, and slide it over to the right. The writing must be visible.
- Remove cover ⑦, rotate it by 180° and fit it to the opposite side.
- Then fit cover ⑤ together with retainer ⑥ on the opposite side.



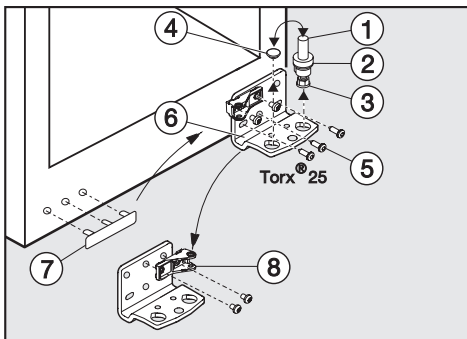
- Remove cap ⑧ from the bearing bush in the door and refit on the opposite side.

# Changing the door hinging

## Changing over the hinge brackets

**Important! The height of the door on stainless steel appliances can be adjusted. Please read the relevant instructions. The instructions are the same for all appliances from "To refit the door".**

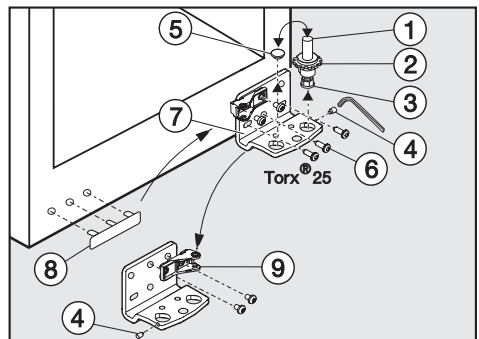
### A. White appliances (door not height adjustable)



- Pull hinge pin ① together with disc ② and adjustable foot ③ upwards and off.
- Remove cover cap ④.
- Undo screws ⑤ and take hinge plate ⑥ off.
- Unscrew part ⑧ from hinge plate ⑥, rotate it by 180° and refit into the hole on the opposite side of the hinge plate.
- Refit cover cap ④ in the other hole.
- Remove cover ⑦ and fit it into the holes on the opposite side.

- Screw hinge plate ⑥ into position on the opposite side using the two **outer** long slots only. To make it possible to align the door later, do not replace the **centre** screw at this stage.
- Important. Screw the adjustable foot ③ into hinge pin ① as far as it will go.
- Refit hinge pin ① together with disc ② and adjustable foot ③. Important. The notch at the bottom of the hinge pin should face towards the back.

### B. Stainless steel appliances (height adjustable door)

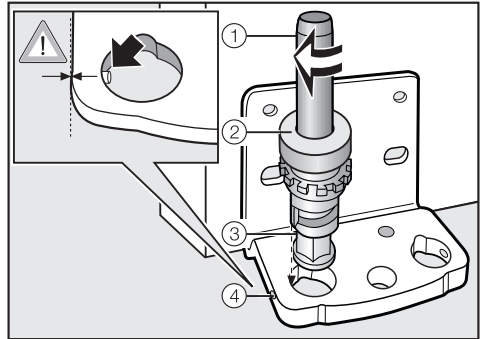


- Unscrew threaded pin ④ by one turn using the allen key supplied.
- Pull hinge pin ① together with disc ② and adjustable foot ③ upwards and off.
- Remove cover cap ⑤.
- Undo screws ⑥ and take hinge plate ⑦ off.

## Changing the door hinging

- Unscrew part ⑨ from hinge plate ⑦, rotate it by 180° and refit into the hole on the opposite side of the hinge plate.
- Refit cover cap ⑤ in the other hole.
- Unscrew threaded pin ④ fully using the allen key supplied.
- Fit threaded pin ④ into the hinge plate on the opposite side, until it is flush with the hinge plate.
- The end must protrude sufficiently through the hinge pin hole such that the guide on the hinge pin will fit over it later on (see following illustration).
- Remove cover ⑧ and fit it into the holes on the opposite side.

- Screw hinge plate ⑦ into position on the opposite side using the two **outer** long slots only. To make it possible to align the door later, do not replace the **centre** screw at this stage.
- Important. Screw the adjustable foot ③ into hinge pin ① as far as it will go.

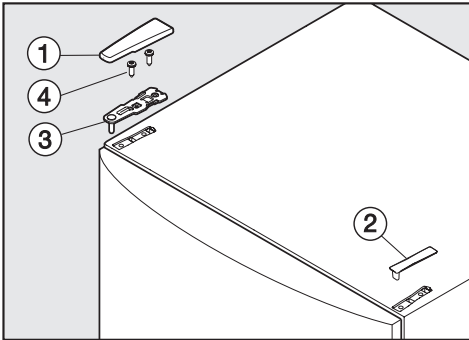


- Refit the hinge pin ① together with disc ② and adjustable foot ③ such that the guide on the end of the pin fits over the threaded pin. Then tighten it.
- Then tighten threaded pin ④.

# Changing the door hinging

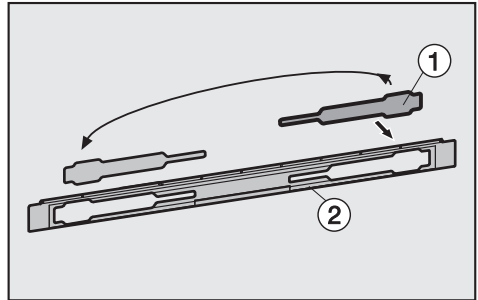
## To refit the door

- Place the door onto the hinge pin from above.
- Close the appliance door.

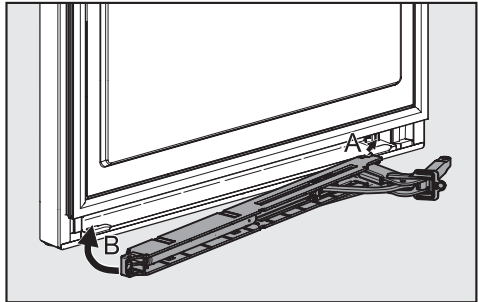


- Fit hinge plate (3) onto the opposite side and secure it with screws (4).
- Fit covers (1) and (2) to their opposite sides.
- Align the door with the appliance housing using the outer long slots in the lower hinge plate. Then tighten the screws.

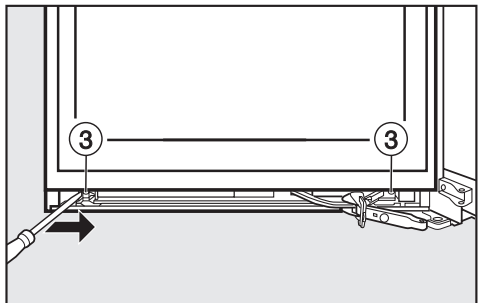
## Replacing the soft-close door mechanism:



- Remove cover (1) from panel (2), rotate it by 180° and refit it on the other side.



- Insert the soft-close mechanism back into the door, starting at the right hand side.

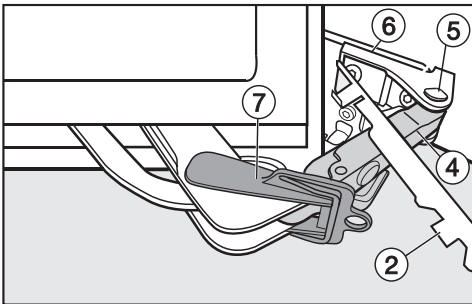


- Slide the soft-close mechanism back into the door as far as it will go towards the appliance using a flat-headed screwdriver.

## Changing the door hinging

The screw holes on the left and right must line up perfectly.

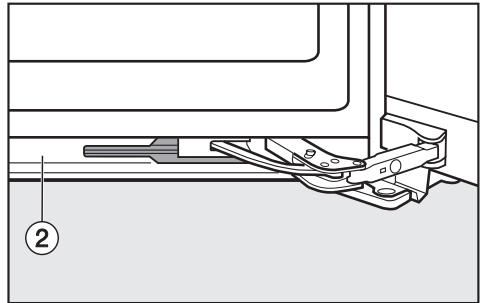
- First fix the soft-close mechanism onto the appliance side, then onto the handle side ③, pushing it firmly towards the appliance.



- Attach panel ② to soft-close mechanism bracket ④.
- Align bracket ④ to the hinge plate, and insert pin ⑤ from above so that the right angle fits into the recess.
- Click cover ⑥ back into place.

Make sure that cover ⑥ fits properly so that the door can be closed without hindrance and the pin is protected.

- Remove restraining clip ⑦.



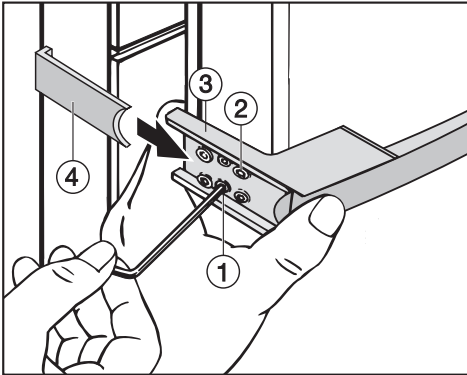
- Replace panel ② onto the soft-close mechanism from above, clicking it back into place first at the bottom and then at the top.
- Close the appliance door.

# Changing the door hinging

## Refitting the handle

Please make sure you follow the instructions below carefully when you refit the handle. The door seal will be damaged if the handle is fitted incorrectly.

It is important to check that the side section of the handle ④ does not come into contact with the door seal when opening the door, as this would damage the door seal permanently.



If, after you have refitted the handle, you find that the side section does touch the door seal when the door is opened:

- Realign mounting plate ③ with grub screws ① until the mounting plate and the side section of the handle ④ are at the correct angle and the side section does not touch the door seal when the door is opened.

- Loosely attach the handle to the opposite side of the door with the two front screws ②.

Mounting plate ③ must be positioned on the side of the door so that when the door is **closed** it is flush with the side of the appliance.

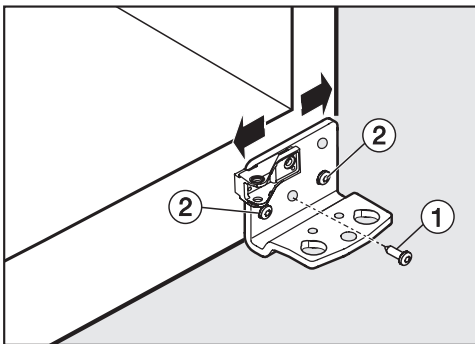
If this is not the case,

- tighten both grub screws ① with an allen key until mounting plate ③ lines up correctly.
- Then tighten all 4 screws ②.
- Slide the side section of the handle ④ into the guides on the mounting plate until it clicks into place.

## Aligning the appliance

The appliance door can be aligned retrospectively to the housing using the outer long slots in the lower hinge plate.

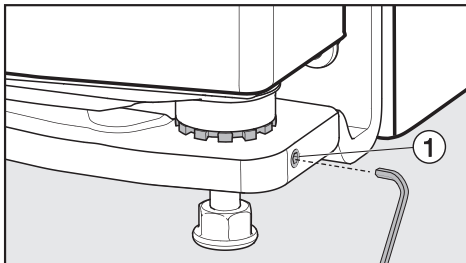
In the following illustration the door is not shown in the closed position to make it easier to see what you have to do.



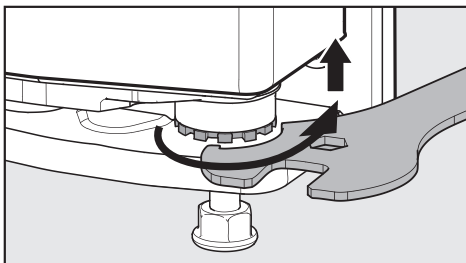
- Remove centre screw ① from the hinge plate.
- Slightly loosen both outer screws ②.
- Align the door by sliding the hinge plate to the left or right.
- Then tighten screws ② again. Screw ① does not need to be used again.

### Stainless steel appliances (height adjustable door)

The appliance door can be aligned retrospectively at the side of the lower hinge plate:



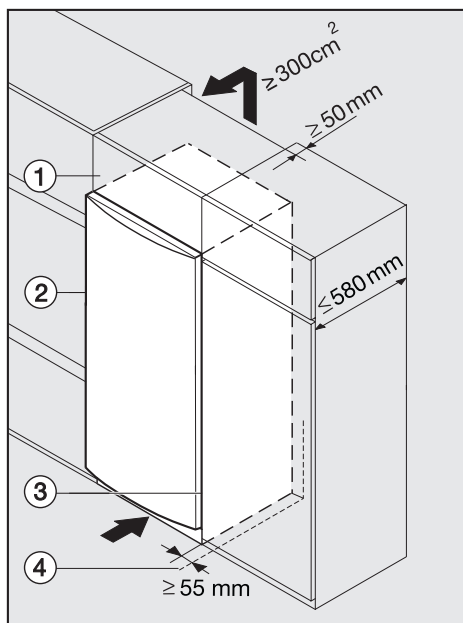
- Unscrew threaded pin ① by a maximum of one turn using the allen key supplied.



- Adjust the height of the hinge pin using the spanner supplied.  
To raise the door:  
turn clockwise  
To lower the door:  
turn anti-clockwise.
- Tighten the threaded pin.  
The hinge pin is now fixed in position again.



## Building in the appliance



- ① Top box
- ② Appliance
- ③ Housing unit
- ④ Wall

The appliance can be installed in a kitchen run. To match the height of the rest of the kitchen, the appliance can be fitted with a suitable top box ①.

A ventilation gap of at least 50 mm depth must be allowed for behind the appliance across the entire width of the top box for air to circulate.

The cross section of the air outlet under the room ceiling must be at least 300 cm<sup>2</sup> to ensure that air can circulate without hindrance. Otherwise the appliance has to work harder, resulting in an increase in electricity consumption.

The air inlet and outlet must not be covered or blocked in any way. They should be dusted on a regular basis.

When built into a kitchen run (max. depth 580 mm) the appliance can be installed directly next to a kitchen furniture housing unit. The appliance door will protrude in front of furniture fronts at the sides by 34 mm and by 55 mm in the middle of the door. This enables the doors to be opened and shut without being obstructed.

When installed **next to a wall** ④ a distance of approx. 55 mm must be maintained on the hinge side between the wall ④ and the appliance ②, so that the doors and the handles have sufficient space for opening.





## United Kingdom

Miele Co. Ltd.

Fairacres, Marcham Road

Abingdon, Oxon, OX14 1TW

Tel: 0845 365 0555

Fax: 0845 365 0777

Customer Contact Centre Tel: 0845 365 6600

E-mail: [info@miele.co.uk](mailto:info@miele.co.uk)

Internet: [www.miele.co.uk](http://www.miele.co.uk)

## Australia

Miele Australia Pty. Ltd.

ABN 96 005 635 398

1 Gilbert Park Drive, Knoxfield, VIC 3180

Tel: (03) 9764 7130, Fax: (03) 9764 7149

Internet: [www.miele.com.au](http://www.miele.com.au)

## China

Miele (Shanghai) Trading Ltd.

1-3 Floor, No. 82 Shi Men Yi Road

Jing' an District

200040 Shanghai, PRC

Tel: +86 21 6157 3500

Fax: +86 21 6157 3511

E-mail: [mieleshanghai@cn.miele.com](mailto:mieleshanghai@cn.miele.com)

Internet: [www.miele.cn](http://www.miele.cn)

## Miele (Hong Kong) Limited

41/F - 4101, Manhattan Place

23 Wang Tai Road

Kowloon Bay

Hong Kong

Tel: (852) 2610 1331

Fax: (852) 2610 1013

Email: [mielehk@miele.com.hk](mailto:mielehk@miele.com.hk)

## India

Miele India Pvt. Ltd.

Ground Floor, Copia Corporate Suites

Plot No. 9, Jasola

New Delhi - 110025

Tel: 011-46 900 000, Fax: 011-46 900 001

E-mail: [customercare@miele.in](mailto:customercare@miele.in)

Internet: [www.miele.in](http://www.miele.in)

**Manufacturer:** Germany - Miele & Cie. KG

Carl-Miele-Straße 29, 33332 Gütersloh



## Ireland

Miele Ireland Ltd.

2024 Bianconi Avenue

Citywest Business Campus, Dublin 24

Tel: (01) 461 07 10, Fax: (01) 461 07 97

E-Mail: [info@miele.ie](mailto:info@miele.ie), Internet: [www.miele.ie](http://www.miele.ie)

## New Zealand

Miele New Zealand Limited

Unit L, 10-20 Sylvia Park Road

Mt. Wellington, 1060, Auckland, NZ

Internet: [www.miele.co.nz](http://www.miele.co.nz)

## Singapore

Miele Southeast Asia

Miele Pte. Ltd.

163 Penang Road

# 04 - 02/03 Winsland House II

Singapore 238463

Tel: +65 6735 1191, Fax: +65 6735 1161

E-Mail: [infosea@miele.com.sg](mailto:infosea@miele.com.sg)

Internet: [www.miele.sg](http://www.miele.sg)

## South Africa

Miele (Pty) Ltd

63 Peter Place, Bryanston 2194

P.O. Box 69434, Bryanston 2021

Tel: +27 (0) 11 548-1900

Fax: +27 (0) 11 548-1935

E-mail: [info@miele.co.za](mailto:info@miele.co.za)

Internet: [www.miele.co.za](http://www.miele.co.za)

## United Arab Emirates

Miele Appliances Ltd.

P.O. Box 11 47 82

Gold & Diamond Park

Sheikh Zayed Road

Building 6 / Offices Nos. 6-214 to 6-220

Dubai

Tel: +971-4-341 84 44

Fax: +971-4-341 88 52

E-Mail: [info@miele.ae](mailto:info@miele.ae)

Internet: [www.miele.ae](http://www.miele.ae)

Alteration rights reserved / 4711

M.-Nr. 07 937 090 / 02

K 14827 SD, K 14827 SD ed/cs



## Free Manuals Download Website

<http://myh66.com>

<http://usermanuals.us>

<http://www.somanuals.com>

<http://www.4manuals.cc>

<http://www.manual-lib.com>

<http://www.404manual.com>

<http://www.luxmanual.com>

<http://aubethermostatmanual.com>

Golf course search by state

<http://golfingnear.com>

Email search by domain

<http://emailbydomain.com>

Auto manuals search

<http://auto.somanuals.com>

TV manuals search

<http://tv.somanuals.com>