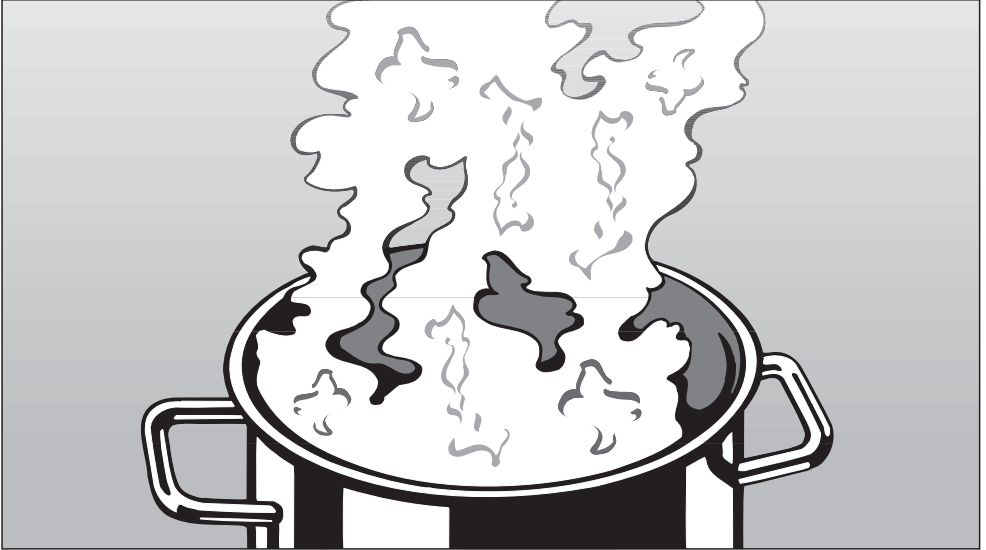


# Miele

## Operating and installation instructions



### Cooker hood DA 249-4, DA 249-4 EXT, DA 249-4 Alu, DA 249-4 Alu EXT

To avoid the risk of accidents or damage to this appliance, it is **essential** to read these instructions before it is installed and used for the first time.

en - GB

M.-Nr. 09 729 530

# Contents

---

<b>Caring for the environment</b> . . . . .	3
<b>Warning and Safety instructions</b> . . . . .	4
<b>Guide to the appliance</b> . . . . .	10
<b>Modes of operation</b> . . . . .	12
<b>Miele@home</b> . . . . .	13
Con@ctivity . . . . .	13
<b>Operation</b> . . . . .	14
To switch the fan on . . . . .	14
To select a power level . . . . .	14
Intensive setting . . . . .	14
Run-on option . . . . .	15
To switch the fan off . . . . .	15
To switch the hob lighting on . . . . .	16
To dim the hob lighting . . . . .	16
To switch the hob lighting off . . . . .	16
Filter operating hours counter . . . . .	16
<b>Cleaning and care</b> . . . . .	20
Housing . . . . .	20
Stainless steel outer filter and grease filter . . . . .	21
Fitting and replacing the charcoal filter . . . . .	24
Changing a halogen lamp . . . . .	26
<b>After Sales Service</b> . . . . .	27
<b>Appliance dimensions</b> . . . . .	28
Safety distance between hob and cooker hood (S) . . . . .	29
<b>Installation</b> . . . . .	30
Assembly parts . . . . .	30
Installation instructions . . . . .	32
Protective foil . . . . .	32
Dismantling . . . . .	32
<b>Connection for air extraction</b> . . . . .	33
Condensate trap . . . . .	34
Silencer . . . . .	35
<b>Electrical connection</b> . . . . .	36
<b>Operation with Control module DSM 400</b> . . . . .	37
Potential free connection . . . . .	37
Connection to a light switch . . . . .	37
<b>Technical data</b> . . . . .	38

## Disposal of the packing material

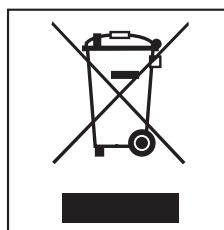
The packaging is designed to protect the appliance from damage during transportation. The packaging materials used are selected from materials which are environmentally friendly for disposal, and should be recycled.

Recycling packaging reduces the use of raw materials in the manufacturing process and also reduces the amount of waste in landfill sites.

Packaging e.g. cling film, polystyrene and plastic wrappings must be kept out of the reach of babies and young children. Danger of suffocation!

## Disposal of your old appliance

Electrical and electronic appliances often contain valuable materials. They also contain materials which, if handled or disposed of incorrectly, could be potentially hazardous to human health and to the environment. They are, however, essential for the correct functioning of your appliance. Please do not therefore dispose of it with your



household waste.

Please dispose of it at your local community waste collection / recycling centre or contact your dealer for advice. Ensure that it presents no danger to children while being stored for disposal.

# Warning and Safety instructions

---

This appliance complies with all relevant local and national safety requirements. Inappropriate use can, however, lead to personal injury and damage to property.

To avoid the risk of accidents and damage to the appliance, please read these instructions carefully before using it for the first time. They contain important information on the safety, installation, use and maintenance of the appliance.

Keep these instructions in a safe place and ensure that all users are familiar with the contents. Pass them on to any future owner of the appliance.

## Correct application

▶ This appliance is not designed for commercial use. It is intended for use in domestic households and for use in similar working and residential environments such as:

- Shops
- Offices and showrooms

and by residents in establishments such as

- Hostels and guesthouses

▶ It must only be used as a domestic appliance to extract vapours and remove odours from cooking.

▶ The cooker hood is not intended for outdoor use.

▶ Any other usage is not supported by the manufacturer and could be dangerous. Miele cannot be held liable for damage resulting from incorrect or improper use or operation of the appliance.

▶ This appliance is not intended for use by people with reduced physical, sensory or mental capabilities, or lack of experience or knowledge, unless they are supervised whilst using it or have been shown how to use it correctly by a person responsible for their safety.

## Safety with children

▶ This appliance is only intended for use by adults who have read these instructions.

▶ This appliance is not a toy! To prevent the risk of injury do not let children play with the appliance or its controls.

▶ Children under 8 years of age must be kept away from the cooker hood unless they are constantly supervised.

▶ Children 8 years and older may use the cooker hood only if they have been shown how to use it in a safe way and understand the hazards involved.

▶ Please be aware that on cooker hoods with halogen lighting, the lamps will get very hot during use and remain hot for some time after switching off. To safeguard against burning, keep children well away from the lamps at all times.

# Warning and Safety instructions

---

## Technical safety

► Before installation, check the cooker hood for visible signs of damage. Under no circumstances should you use a damaged appliance. A damaged appliance is dangerous.

► Before connecting the appliance to the mains supply, make sure that the voltage and frequency details given on the data plate correspond with the on-site electricity supply, otherwise the appliance could be damaged. Consult a qualified electrician if in any doubt.

► The electrical safety of this appliance can only be guaranteed when continuity is complete between the appliance and an effective earthing system which complies with current local and national safety regulations. It is most important that this basic safety requirement is present and tested regularly, and where there is any doubt, the household wiring system should be inspected by a qualified electrician. The manufacturer cannot be held liable for the consequences of an inadequate earthing system (e.g. electric shock).

► For safety reasons, this appliance may only be used when it has been fully installed.

► Only open the housing as described in the instructions given in the installation sheet and in the Cleaning and care section of this booklet. Under no circumstances should any other parts of the housing be opened. Tampering with electrical connections or components and mechanical parts is highly dangerous to the user, and can cause operational faults.

► Installation, maintenance and repairs may only be carried out by a Miele authorised person in accordance with current national and local safety regulations.

Repairs and other work by unqualified persons could be dangerous. The manufacturer cannot be held liable for unauthorised work.

► A damaged connection cable must only be replaced by an approved and suitably qualified technician.

► Faulty components must only be replaced by genuine Miele original parts. The manufacturer can only guarantee the safety of the appliance when Miele replacement parts are used.

► During installation, maintenance and repair work, the appliance must be disconnected from the mains electricity supply. It is only completely isolated from the electricity supply.

# Warning and Safety instructions

▶ Do not connect the appliance to the mains electricity supply by a multi-socket unit or an extension lead. These do not guarantee the required safety of the appliance (e.g. danger of overheating).

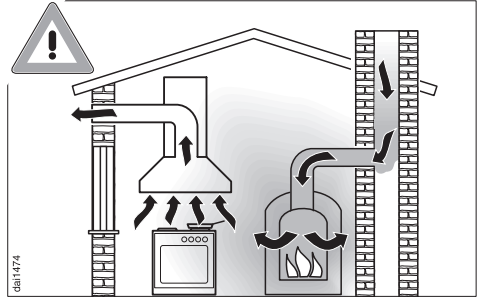
▶ For appliances with an external fan motor fitted (...EXT models) the connection of the two units must be made using the connection cable and the plug connectors. These models may only be combined with a Miele external motor.

▶ This appliance must not be used in a non-stationary location (e.g. on a ship).

▶ In areas which may be subject to infestation by cockroaches or other vermin, pay particular attention to keeping the appliance and its surroundings in a clean condition at all times. Any damage which may be caused by cockroaches or other vermin will not be covered by the guarantee.

## Using at the same time as other heating appliances that depend on the air from the room

Warning - danger of toxic fumes



▶ Great care should be taken when using the cooker hood at the same time and in the same room or area of the house as another heating appliance which depends on the air in the room. Such appliances include gas, oil, wood or coal-fired boilers and heaters, continuous flow or other water heaters, gas hobs, cookers or ovens which draw air in from the room and duct exhaust gases out through a chimney or extraction ducting.

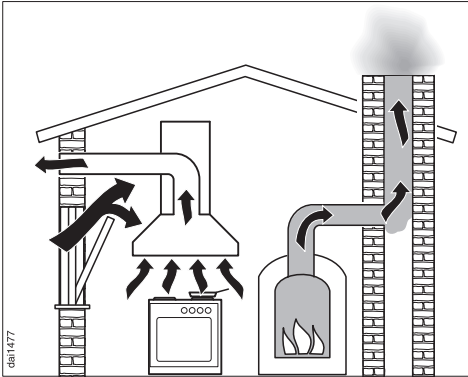
When used in extraction mode, with or without an external motor fitted, the appliance draws air in from the room in which it is installed **and** from neighbouring rooms.

If there is insufficient air, an underpressure will occur. The heating appliance may be starved of oxygen, impairing combustion.


Harmful gases could be drawn out of the chimney or extraction ducting back into the room, with potentially fatal consequences.

# Warning and Safety instructions

In order to ensure safe operation, and to prevent gases given off by the heating appliances from being drawn back into the room when the cooker hood and the heater are in operation simultaneously, an underpressure of 0.04 mbar (4 pa) is the maximum permissible in the room.



Ventilation can be maintained by air inlets which must not be blocked, in windows, doors and outside wall vents, or by other technical measures, such as ensuring that the cooker hood can only be switched on when the heating appliance is switched off or vice versa. A ventilation brick alone is not generally sufficient to ensure safe ventilation.

 The overall ventilation condition of the dwelling must be taken into account. If in any doubt, the advice of a competent builder or, for gas, a qualified gas fitter (Corgi registered in the UK) must be sought.

If the hood is being operated in recirculation mode, the above restrictions do not apply.

# Warning and Safety instructions

---

## Correct use

▶ Never use an open flame beneath the cooker hood. To avoid the danger of fire, do not flambé or grill over an open flame.

When switched on, the cooker hood could draw flames into the filter. Fat particles drawn into the cooker hood present a fire hazard.

▶ When using the cooker hood over a gas hob, ensure that any burners in use are always covered by a pan. Switch the cooking zone off when a pan is removed, even for a short time. Regulate the flame so that it does not burn up the sides of the pan. Do not allow the pans to overheat excessively (e.g. when using a wok). The cooker hood can become damaged when exposed to excessive heat.

▶ Always switch the cooker hood on when a cooking zone is in use, otherwise condensation may collect in the hood, which could cause corrosion.

▶ When cooking with oil or fat, chip pans and deep fat fryers etc, do not leave the pans unattended. Never leave an open grill unattended when grilling. Overheated oil and fat can ignite and could set the cooker hood on fire.

▶ Do not use the cooker hood without the filters in place. This way you will avoid the risk of grease and dirt getting into the appliance and hindering its smooth operation.

▶ The filters should be regularly cleaned or changed as appropriate. Saturated filters are a fire hazard. See "Cleaning and care".

▶ The cooker hood can get very hot during cooking due to heat rising from the hob. Do not touch the housing or the grease filters until the cooker hood has cooled down.

▶ Do not use a steam-cleaner to clean this appliance. Pressurised steam could reach the electrical components and cause a short circuit.

## Correct installation

▶ Refer to the cooker or hob manufacturer's instructions as to whether a cooker hood may be operated above the cooker/hob.

▶ The minimum safety distances between the top of the cooker or hob and the bottom of the cooker hood given in the "Appliance dimensions" section of this booklet must be maintained, unless the hob manufacturer states that a greater safety distance is required.

If more than one cooking appliance is fitted beneath the cooker hood, and they have different minimum safety distances to the cooker hood, select the greater distance.



# Warning and Safety instructions

---

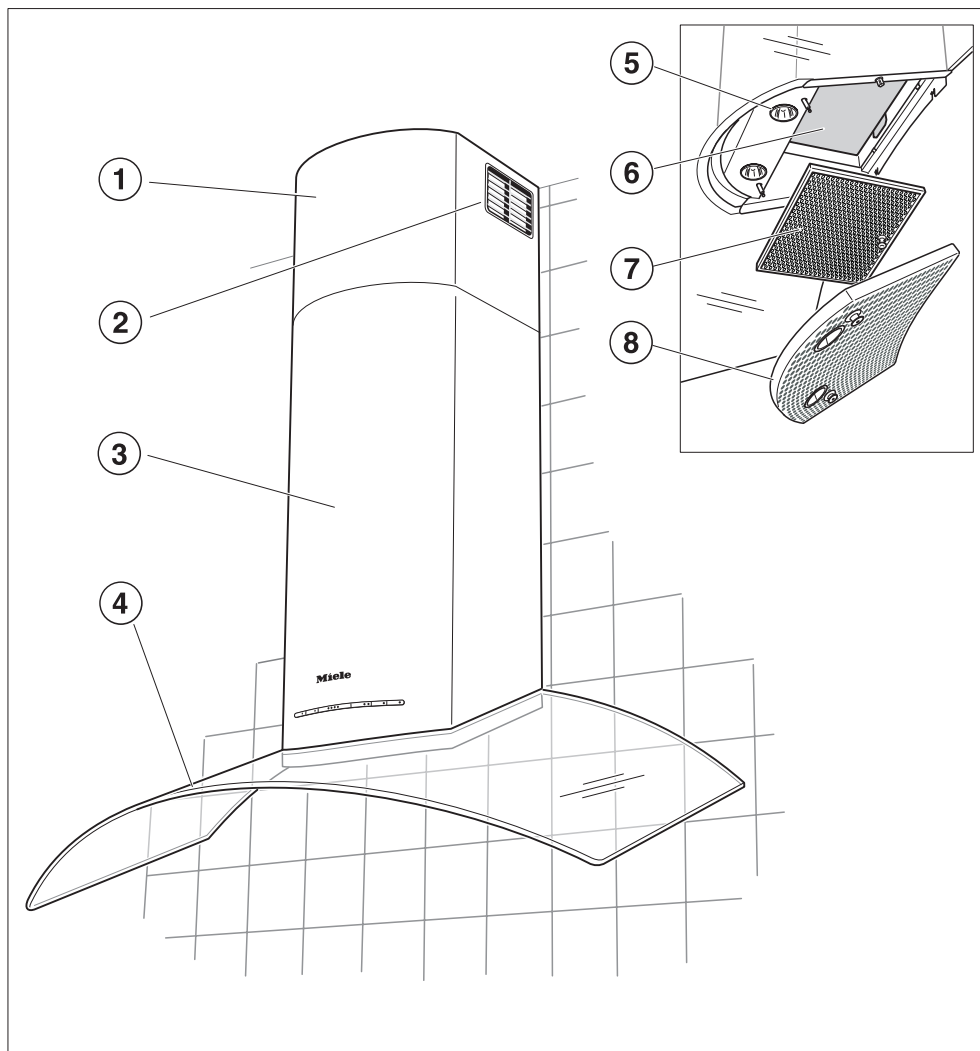
- ▶ Safety regulations prohibit the fitting of a cooker hood over solid fuel stoves.
- ▶ All ducting, pipework and fittings must be of non-flammable material. These can be obtained from the Miele Spare Parts department or from builders' merchants.
- ▶ The appliance must not be connected to a chimney or vent flue which is in use. Neither should it be connected to ducting which ventilates rooms with fireplaces.
- ▶ If exhaust air is to be extracted into a chimney or ventilation duct no longer used for other purposes, seek professional advice.

## Accessories

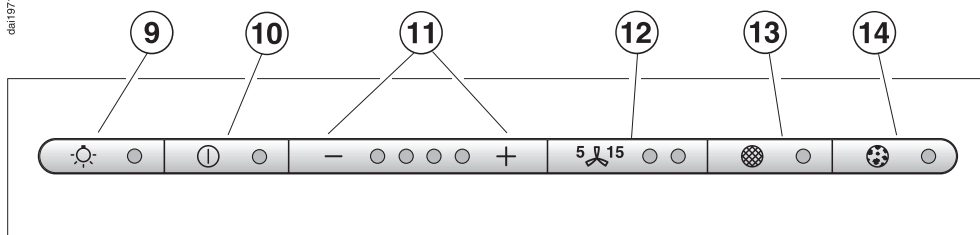
- ▶ Only use genuine Miele spare parts and accessories with this appliance. If spare parts or accessories from other manufacturers are used, this will invalidate the guarantee, and Miele cannot accept liability.

The manufacturer cannot be held liable for damage caused by non-compliance with these Warning and Safety instructions.

# Guide to the appliance



da11971



## ① Telescopic extension piece

## ② Recirculation grille

(optional accessory for recirculation mode only.)

## ③ Tower

## ④ Canopy

## ⑤ Hob lighting

## ⑥ Charcoal filter

(special accessory for recirculation mode)

## ⑦ Grease filter

## ⑧ Stainless steel outer filter

## ⑨ Touch control for the hob lighting

This control switches the lighting on and off, and is also a dimmer switch.

## ⑩ On/Off touch control for the fan

## ⑪ Controls to select the fan power level

## ⑫ Touch control for the run-on option

The fan can be set to switch off automatically after either 5 or 15 minutes.

## ⑬ Touch control for the grease filter

The indicator lamp for the grease filter touch control lights up when the grease filter and the outer filter need to be cleaned.

The touch control is used to reset the operating hours counter every time the grease filter and the outer filter are cleaned (see "Cleaning and care").

It can also be used to check and alter the operating hours counter.

## ⑭ Touch control for the charcoal filter

The indicator lamp for the charcoal filter lights up when the charcoal filter used in recirculation mode needs to be replaced. For this to happen, the operating hours counter needs to be activated before the appliance is used for the first time.

The touch control is used to reset the operating hours counter every time the charcoal filter is replaced (see "Cleaning and care").

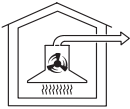
It can also be used to check and alter the operating hours counter.

For information about using the appliance, see "Operation".

# Modes of operation

## The cooker hood works with

### ... air extraction:



The air is drawn in and cleaned by the stainless steel outer filter and the grease filter, and then directed outside.

If the on-site ventilation system does not have a **non-return flap**, then the non-return flap supplied with the appliance must be fitted

Having a non-return flap fitted in the ducting ensures that air, once ducted to the outside, cannot get back into the room again.

The flap is closed when the cooker hood is switched off.

When the cooker hood is switched on, the non-return flap opens for the cooking vapours to be blown directly outside.

### ... air recirculation:

(available as an optional extra with a conversion kit and charcoal filter: see "Technical Data")



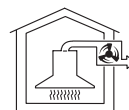
The air is drawn in and cleaned first by the stainless steel outer filter and the grease filter and then by a **charcoal filter**. The cleaned air is then recirculated back into the kitchen through grilles in the top of the cooker hood extension piece.

Charcoal filters are available to order through your Dealer / Chartered Agent or the Miele Spare Parts Department. (See back cover for contact details and "Technical Data" for model number).

Before using the cooker hood in recirculation mode, ensure that the charcoal filter is in place. See "Cleaning and care".

### ... an external motor:

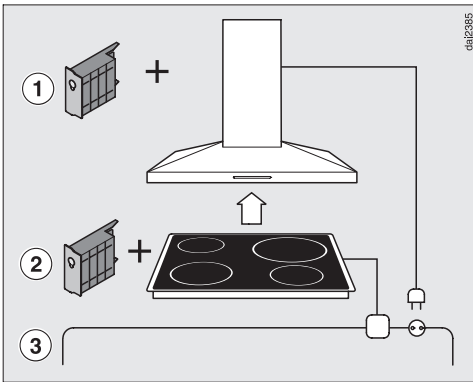
(EXT models only)



EXT models are designed to be connected to an external motor located outside the room.

The external motor is connected to the cooker hood by means of a control cable, and is operated by the controls on the cooker hood.

## Con@ctivity



This cooker hood is communication enabled.

Communication module XKM 2000 DA ①, available as an optional extra, enables the operation of the cooker hood to be automatically controlled by the operating status of a Miele electric hob with onset controls.

For communication to take place, the hob must be fitted with the appropriate communication module ②.

The hob transmits information about its operating status to the cooker hood via the household power supply (Powerline) ③.

- When the hob is switched on the cooker hood hob lighting also comes on and then after a short time the fan switches on.
- During cooking the cooker hood automatically sets its power level according to the number of cooking zones in operation and their power levels.
- After switching the hob off the fan and the hob lighting will switch off automatically after a period of time.

For detailed information about this function please read the separate instruction booklet supplied with the XKM 2000 DA communication module.

The communication module is fitted to the cooker hood in the area of the motor and is connected to the controls of the cooker hood.

This module must be installed by a Miele service technician or suitably qualified electrician.

# Operation

## To switch the fan on



- Press the On/Off control.

The fan will come on at power level "II".

The indicator lamp will come on.

## To select a power level



- Use the - / + controls to select the power level required.

+ control = higher setting  
- control = lower setting

Depending on the intensity of the cooking vapours, levels I to III are usually sufficient for normal cooking.

## Intensive setting

When frying or cooking food with a strong aroma, you may wish to select the Intensive setting, level IV for a short period.

## Automatic switch-off of the Intensive setting

You can set the Intensive setting so that it only runs for 10 minutes before reverting automatically to level III.

- To set this option, both the fan and the hob lighting must be switched off.



- Press the run-on option control for approximately 10 seconds. The first fan setting indicator will light up.
- Then press in turn,



- the hob lighting control,



- the - control, and



- finally the hob lighting control again.



The indicator lamps for fan power levels I and IV will flash if the automatic switch-off for the Intensive setting is not activated.

- Press the **+** control to activate automatic switch-off.

The indicator lamps for fan power levels I and IV will now light up constantly.

Press the **-** control to deactivate the automatic switch-off function.



- Press the run-on option control to confirm.

If you do not confirm your selection within 4 minutes, the cooker hood will automatically revert to the original setting.

## Run-on option

It is advisable to run the fan for a few minutes after cooking is finished to neutralise any lingering odours in the air, whether you are using air extraction or recirculation mode.

The fan can be set to switch off automatically after either 5 or 15 minutes:



- After cooking is finished, press the run-on option control whilst the fan is still running.
  - Press once = The fan will switch off after 5 minutes (left-hand indicator lamp).
  - Press twice = The fan will switch off after 15 minutes (right-hand indicator lamp).

To switch off the run-on option, press the run-on option control again. The appliance will then not switch off automatically.

## To switch the fan off



- Press the On/Off control to switch the fan off.

The indicator lamp will go out.

# Operation

---

## To switch the hob lighting on

The hob lighting can be switched on and off independently of the fan.



- Briefly press the lighting control to switch on the hob lighting.

The indicator lamp will come on.

The hob lighting will switch on at maximum brightness.

## To dim the hob lighting

The brightness of the lighting can be adjusted.

- With the lighting switched on, press and hold the hob lighting control in. The brightness will gradually dim until you release the control.
- Press the control in again to increase the brightness to the level required, and then release it.

If you keep the control pressed in, the light will continually change between bright and dim.

## To switch the hob lighting off

- Press the hob lighting control briefly to switch the lighting off.

The indicator lamp will go out.

## Safety cut-out

Should the cooker hood be left on, the fan will switch off automatically after 10 hours. The lighting will remain on.



- Pressing the On/Off control will switch the fan back on again.

## Filter operating hours counter

The number of hours the appliance has been in operation is stored in memory.

The operating hours counter tells you when the grease filters or charcoal filter need to be cleaned or replaced.

## Resetting the operating hours counter for the grease filter



After 30 hours of operation (or another time if the operating hours counter has been altered), the grease filter indicator lamp will light up. The grease filter and the stainless steel outer filter must then be cleaned.

Afterwards, the filter operating hours counter must be reset.

- To do this, press and hold the grease filter control in for approximately 3 seconds while the fan is switched on.

The indicator lamp for the control will go out.



## Reading the filter operating hours counter

To check the percentage of time set already used:



- Press the On/Off control to switch the fan on.



- Press and hold the grease filter control.



One or more of the indicator lamps for the - / + controls will flash.

The number of flashing lamps shows the percentage of the operating time which has already been used up.

1 lamp	=	25 %
2 lamps	=	50 %
3 lamps	=	75 %
4 lamps	=	100 %

The number of operating hours used remains in the memory, even when the appliance is switched off or there is a power cut.

## Altering the filter operating hours counter

The filter operating hours counter is set at 30 hours. This can be lengthened or shortened to suit the type of cooking you do. You can choose 20, 30, 40 or 50 hours

- Select a short time if you roast or fry a lot.
- If you use very little fat for cooking, select a longer time.
- If you only cook occasionally we recommend that you still select a short time, because grease which has built up gradually over a long period of time will harden on the grease filters and make cleaning more difficult.



- Press the On/Off control to switch the fan off.



- Press the run-on option control and the grease filter control at the same time.

The indicator lamp for the grease filter control and one of the - / + indicator lamps will flash.

# Operation



The - / + indicator lamps show the time which has been set:

- 1st lamp from the left = 20 hours
- 2nd lamp from the left = 30 hours
- 3rd lamp from the left = 40 hours
- 4th lamp from the left = 50 hours

- Use the - / + controls to select the desired time.



- Confirm the selection by pressing the grease filter control.

All the indicator lamps will go out.

If you do not confirm your selection within 4 minutes, the cooker hood will automatically revert to the original setting.

## Activating and altering the operating hours counter for the charcoal filter

(in recirculation mode)

The charcoal filter is needed for recirculation mode.

On delivery, the operating hours counter for the charcoal filter is **switched off**,

For recirculation mode, the operating hours counter needs to be set to suit the type of cooking you do:



- Press the On/Off control to switch the fan off.



- Press the run-on option and the charcoal filter controls at the same time.

The indicator lamp for the charcoal filter control and one of the lamps above the - / + controls will flash.



The - / + control lamps show the time which has been set:

- 1st lamp from the left = 120 hours
- 2nd lamp from the left = 180 hours
- 3rd lamp from the left = 240 hours
- 4th lamp from the left = deactivated

- Use the – / + controls to select the desired time.



- Confirm the selection by pressing the charcoal filter control.

All the indicator lamps will go out.

If you do not confirm your selection within 4 minutes, the cooker hood will automatically revert to the original setting.

## Resetting the operating hours counter for the charcoal filter



The indicator lamp for the charcoal filter control will light up after the cooker hood has operated for the number of hours set. The charcoal filter must then be replaced with a new one.

Afterwards, the filter operating hours counter must be reset.

- Press and hold the charcoal filter control for about 3 seconds while the fan is switched on.

The indicator lamp for the control will go out.

## Reading the operating hours counter for the charcoal filter

To check the percentage of time set already used:



- Press the On/Off control to switch the fan on.



- Press and hold the charcoal filter control.



One or more of the indicator lamps for the – / + controls will flash.


The number of flashing lamps shows the percentage of the operating time which has already been used up.


1 lamp	=	25 %
2 lamps	=	50 %
3 lamps	=	75 %
4 lamps	=	100 %

The number of operating hours used remains in the memory, even when the appliance is switched off or there is a power cut.

# Cleaning and care

A range of Miele branded cleaning and conditioning agents are available to order through your Miele Dealer / Chartered Agent, the Miele Spare Parts Department, or via the internet on [www.miele-shop.com](http://www.miele-shop.com).

 Before any cleaning or maintenance work is carried out, disconnect the cooker hood from the mains supply.

 Halogen lamps get very hot during use and remain hot for some time after being switched off. The hot lamps are also susceptible to damage from damp cleaning. Wait a few minutes after switching off before commencing cleaning.

## E-Cloth

- A microfibre E-Cloth is available from the Miele UK Spare Parts Department, which is suitable for cleaning surfaces such as stainless steel, glass, plastic and chrome without the use of chemicals. It can be washed 300 times.

## Housing

### General notes

The surfaces and controls are susceptible to scratches and abrasions. Please observe the following cleaning instructions.

- All external surfaces and controls can be cleaned using a Miele E-Cloth, or with warm water and a small amount of washing-up liquid applied with a well wrung-out soft sponge or cloth.
- Wipe the surfaces dry using a soft cloth.

Do not use too much water when cleaning the controls. Water could penetrate into the electronics and cause damage.

Do not use any of the following to clean any surfaces:

- cleaning agents containing soda, acids, chlorides or solvents,
- abrasive cleaning agents, e.g. powder cleaners and cream cleaners.
- abrasive sponges, e.g. pot scourers, or sponges which have been previously used with abrasive cleaning agents.

Please note the following advice for cleaning different surfaces.

## Important for appliances with stainless steel housing

(This information does not apply to the controls).

Stainless steel surfaces can be cleaned using the Miele E-Cloth, or with a proprietary non-abrasive cleaning agent designed specifically for use on stainless steel.

To help prevent re-soiling, a conditioning agent for stainless steel can also be used.

Follow the manufacturer's instructions and apply sparingly with an even pressure following the direction of the grain.

## Important for appliances with aluminium housing:

Aluminium is affected by the way that light falls on it, by the surrounding environment and by the angle you observe it from.

Aluminium surfaces and controls may suffer discolouration or damage if soiling is left on for too long. Remove any soiling straight away.

Observe the General notes on cleaning earlier in this section.

Do not use:

- stainless steel cleaning agents,
- cleaning agents containing descaling agents,
- dishwasher cleaner,
- oven sprays.

## Controls

The controls may suffer discolouration or damage if soiling is left on them for too long. Remove any soiling straight away.

Observe the General notes on cleaning earlier in this section.

Do not use stainless steel cleaning agents on the controls.

## Glass surfaces

Glass surfaces can be cleaned using a proprietary non-abrasive cleaning agent designed specifically for use on glass.

Avoid oven sprays.


## Stainless steel outer filter and grease filter

The stainless steel outer filter and the re-usable metal grease filter remove solid particles from the kitchen vapours (grease, dust, etc), preventing soiling of the cooker hood.



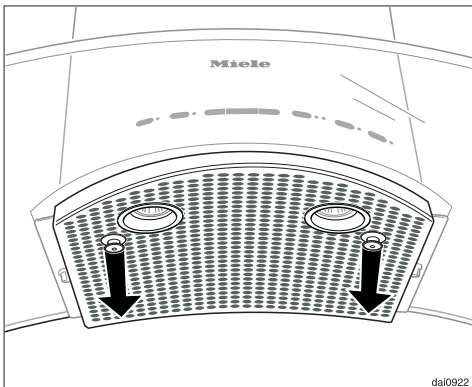
The stainless steel outer filter and grease filter should be cleaned regularly (at least every 3-4 weeks) to avoid a built-up of grease, but always clean them immediately if the grease filter indicator light comes on.

Both the outer filter and the grease filter should be cleaned.

 An oversaturated filter is a fire hazard.

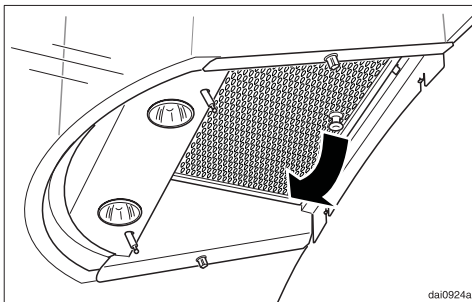
# Cleaning and care

## To remove the stainless steel outer filter



- To remove the outer filter pull down on the quick-release catches. When doing this, hold the filter securely so that it does not fall on the hob surface below.

## To remove the grease filter



- Hold the grease filter by the grip, and pull it downwards to remove it. Take care not to let the grease filter fall onto the hob.

## Cleaning the grease filter and the outer filter by hand

- Clean the grease filter and the outer filter with a soft nylon brush in a mild solution of hot water and a small amount of washing-up liquid. Do not use undiluted washing up liquid.

Do not use:

- cleaning agents containing descaling agents,
- powder cleaners, cream cleaners or abrasive all-purpose cleaning agents,
- oven sprays.

## Cleaning the grease filter and the outer filter in the dishwasher

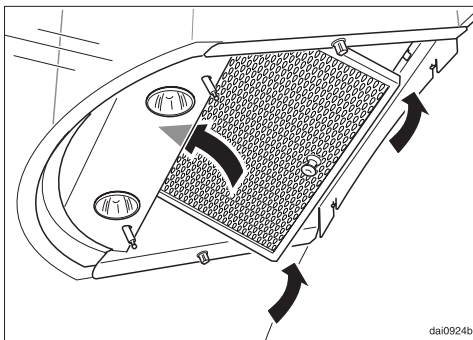
- Place the filters as upright as possible in the lower basket, with the short sides upright. Make sure that the spray arm can move freely.
- Do not wash at more than 65° C. If a Miele dishwasher is being used, select the Sensor wash programme.
- Use a mild dishwasher detergent.

Depending on the cleaning agent used, cleaning the filters in a dishwasher can cause permanent discolouration to the surface. However, this will not affect the functioning of the filters in any way.

- After cleaning, leave the filters to dry for a while on an absorbent surface before putting them back in place.
- When removing the filters for cleaning, also clean off any residues of oil or fat from the now accessible housing to prevent the risk of these catching fire.
- After cleaning the filters, press the grease filter control for approximately 3 seconds to reset the operating hours counter. The indicator lamp will go out.

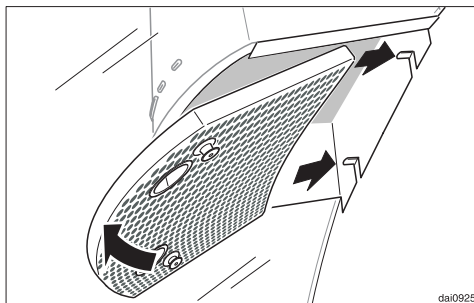
If the stainless steel outer filter and the grease filter are cleaned **before** the operating hours counter has reached its maximum, the grease filter control should be pressed for approximately 6 seconds to reset the counter to zero.

## To replace the grease filter



- Holding the grease filter at an angle, fit it into the front of the chimney and then push it into position along the front edge.
- Then push it up into position at the back, making sure it clicks into position on both sides.

## To replace the stainless steel outer filter



- Fit the outer filter into the appliance so that it hooks into the retainers at the back, then push it upwards at the front and make sure it engages in the quick-release mechanism.

# Cleaning and care

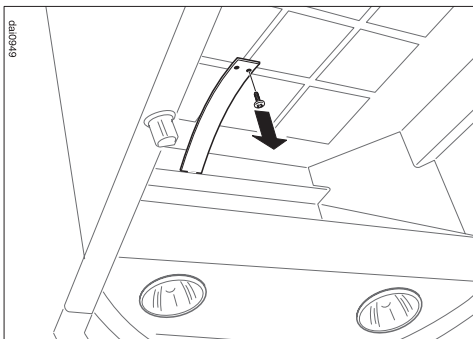
## Fitting and replacing the charcoal filter

If the cooker hood is connected for recirculation, a charcoal filter must be inserted in addition to the grease filter. This is designed to absorb cooking odours.

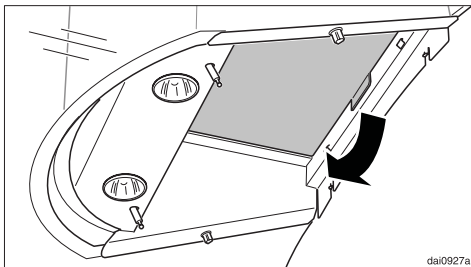
It is fitted in the chimney above the grease filter.

Replacement charcoal filters can be obtained from your Dealer / Chartered Agent or the Miele Spare Parts department. See back cover for contact details, and "Technical data" for type and reference number.

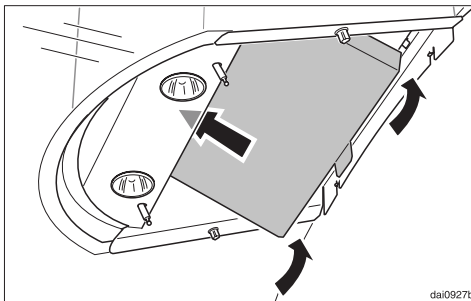
- Before fitting or replacing the charcoal filter, the outer filter and the grease filter must first be taken out. See previous section for instructions on how to do this.



- When fitting for the first time:  
A guide is installed for extraction mode which has to be removed for recirculation mode.  
Loosen the screws on it, and remove it.



- To remove the charcoal filter, pull down on the tab at the back of the filter.
- Take the new filter out of its packaging.



- Fit the filter into the front of the chimney; push it upwards at the back, and press it firmly into position.
- Replace the grease filter and then the outer filter.

When fitting for the first time:

- Activate the operating hours counter (see "Use").





Always replace the filter immediately if the lamp for the charcoal filter touch control comes on, or if it is no longer effective in absorbing kitchen odours. It should be replaced at least every 6 months.

Used charcoal filters can be disposed of with the normal household waste.

- After fitting a new charcoal filter, press the charcoal filter touch control for approximately 3 seconds to re-set the operating hours counter. The indicator lamp will go out.


If a charcoal filter is replaced before the operating hours counter has reached its maximum, the charcoal filter touch control should be pressed for approximately 6 seconds to reset the counter.

# Cleaning and care

---

## Changing a halogen lamp

- Before any cleaning or maintenance work, disconnect the cooker hood from the mains supply.

 Exercise caution when changing halogen lamps. They get very hot during use and remain hot for some time after being switched off. Let them cool down before you change them.

- Remove the stainless steel outer filter (see "Cleaning and care").
- Pull the halogen lamp out of its socket. Take care not to let the lamp fall onto the hob below.
- Insert the new halogen lamp into its socket and carefully push into position.

When replacing a defective lamp it is suggested that you use exactly the same type of lamp (see "Technical data" for lamp specification).

In the event of a fault which you cannot correct yourself, or if the appliance is under guarantee, please contact:

- Your Miele Dealer / Chartered Agent
- or
- The Miele Service Department (see back cover for address).

When contacting your Dealer or Miele, please quote the model and serial number of your appliance. These are shown on the data plate which is visible when the grease filter is removed.

For the U.K.: Please note that telephone calls may be monitored and recorded for training purposes.

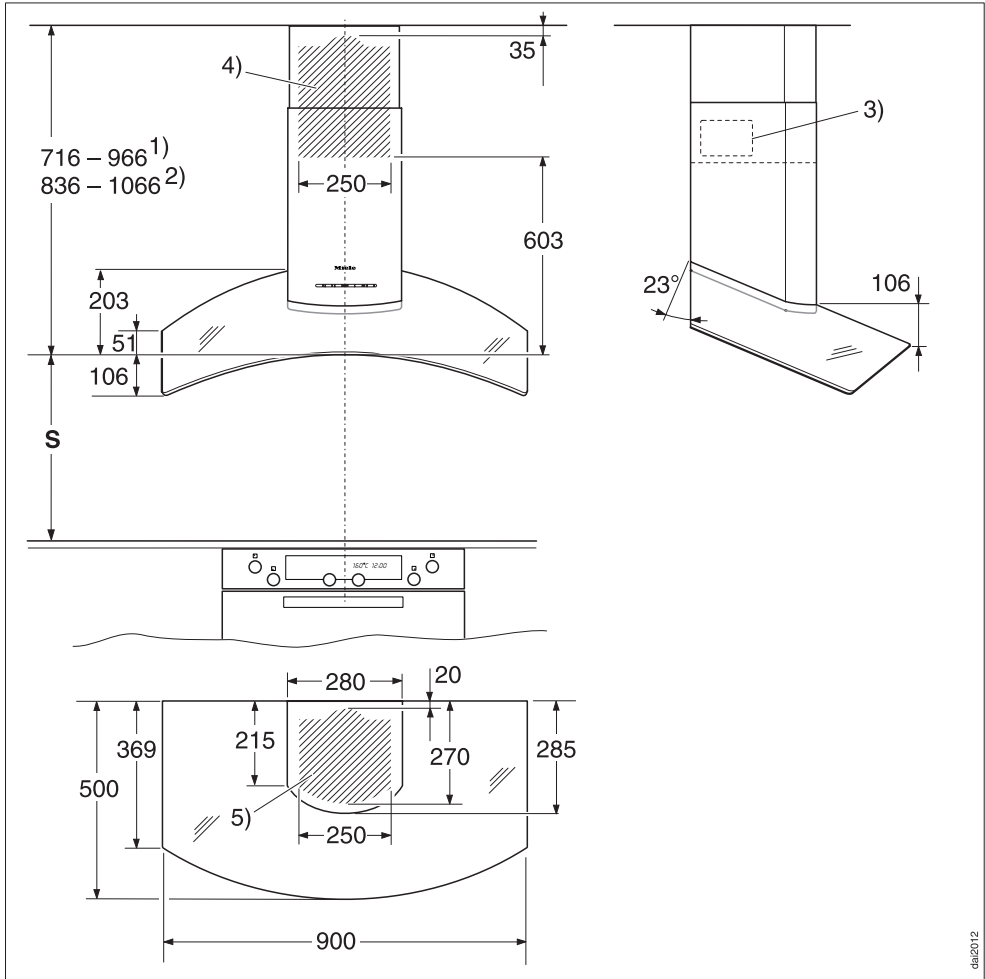
N.B. A call-out charge will be applied for service visits where the problem could have been resolved as described in these instructions.

### Guarantee

For information on the appliance guarantee specific to your country please contact Miele. See back cover for contact details.

In the U.K. your appliance is guaranteed for 2 years from the date of purchase. However, you must activate your cover by calling 0845 365 6640 or registering online at [www.miele.co.uk](http://www.miele.co.uk)

# Appliance dimensions



The diagram is not drawn to scale.

- 1) Extraction
  - 2) Recirculation
  - 3) Ventilation grille positioned at the top for recirculation
  - 4) and 5):  
(5 is not required for recirculation mode cooker hoods)
- The shaded area represents the wall or

ceiling area for the vent cut-out, for fitting the connection socket and on EXT models for feeding the connection cable through to the external motor. For recirculation mode, only a connection socket needs to be fitted.

## Connection for air extraction

Ø 150 mm, or Ø 125 mm with reducing collar.

## Appliance dimensions

### Safety distance between hob and cooker hood (S)

The following **minimum** safety distance must be maintained between the top of the cooker/hob and the bottom of the cooker hood unless a greater distance is specified by the manufacturer of the cooker or hob:

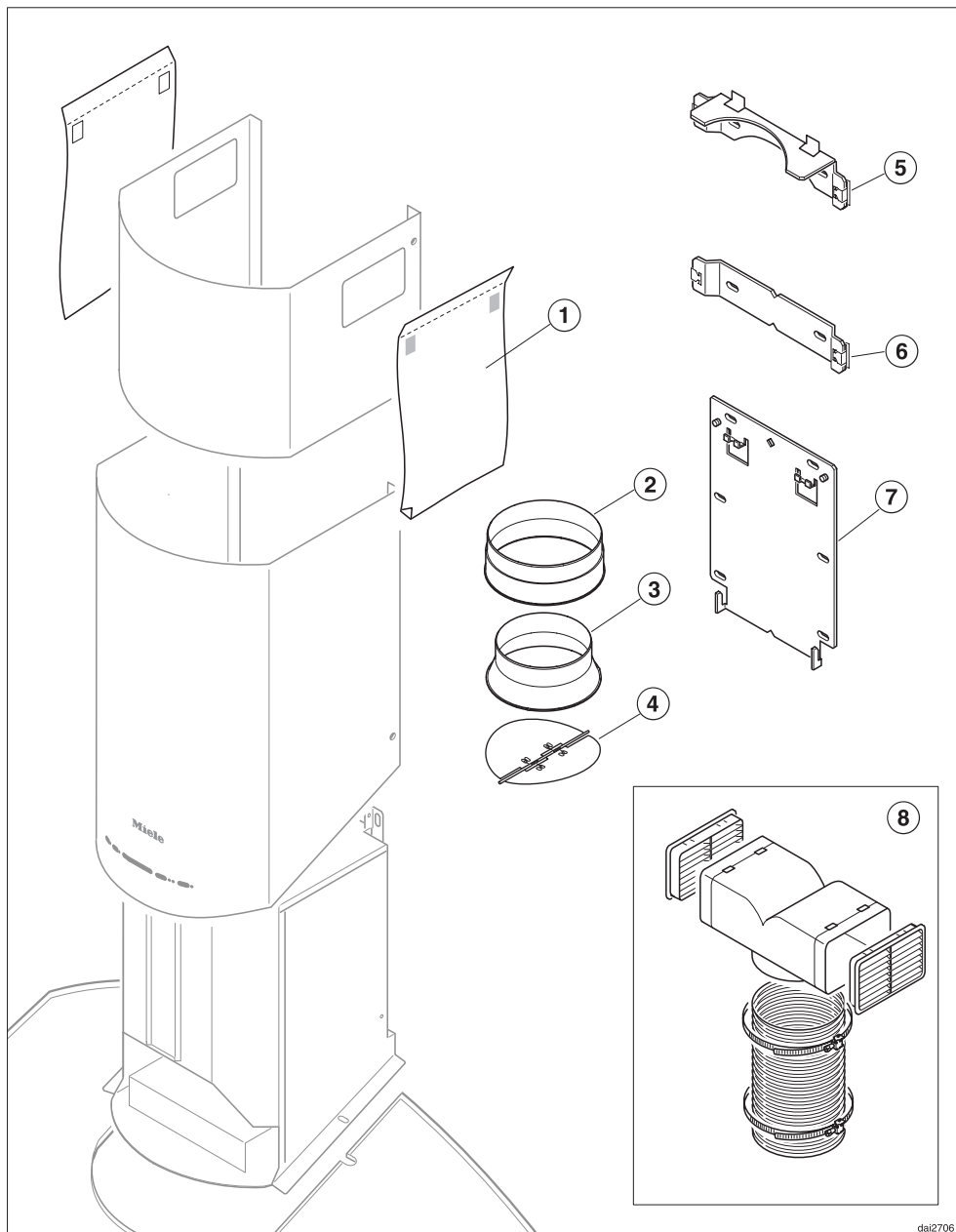
Cooking appliance	Distance S
Electric hob	450 mm
Open Grill	650 mm
Deep fat fryer (electric)	650 mm
Multi-burner gas hob with a maximum total output of 12.6 kW, no burner exceeding 4.5 kW.	650 mm
Multi-burner gas hob with a total output of more than 12.6 kW, or a multi-burner gas hob where one burner exceeds 4.5 kW.	760 mm
Single gas burner with a maximum output of 6 kW.	650 mm
Single gas burner with output exceeding 6 kW.	760 mm

See "Warning and Safety" instructions for further information.

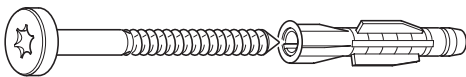
- When deciding on the safety distance between the hob and cooker hood, please note that a distance of 650 mm above electric cookers/hobs may be preferable to give more working space under the hood.
- Account should also be taken of the height of the person who will be using the hood most often. The person should have sufficient space to work comfortably at the hob, and also be able to reach the hood controls with ease.
- If positioned too high, extraction will be inefficient.
- The height of the cooking appliance must be taken into account when planning the installation height of the cooker hood.

# Installation


## Assembly parts



- ① **2 protective sheets**  
for use when fitting the tower.
- ② **1 exhaust connection** for exhaust ducting  $\varnothing$  150 mm.
- ③ **1 reducing collar**  
for exhaust ducting  $\varnothing$  125 mm.
- ④ **1 non-return valve**  
for fitting into the exhaust connection on the motor unit (not needed for recirculation mode).
- ⑤ **Upper retaining plate**  
for securing the extension piece.
- ⑥ **Middle retaining plate**  
for securing the extension piece.
- ⑦ **Lower retaining plate**  
for securing the appliance unit.
- ⑧ **Conversion kit for recirculation mode**  
including directional unit and flexible aluminium hose with clips (this is not included, but is available as an optional extra - see Technical Data).



**8 screws 5 x 60 mm** and  
**8 x 50 mm plugs**  
for securing the retaining plates.

 The screws and plugs are designed for use in solid walls only. For other types of wall construction, alternative fixings will be required. Make sure that the wall is able to take the weight of the cooker hood.



**2 x M 6 self-tapping nuts**  
for securing the appliance.



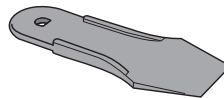
**2 screws 3.9 x 7.5 mm**  
for securing the tower.



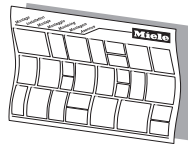
**2 x M4 screws with nuts and plastic washers**  
for securing the glass canopy



**1 cover cap**



**1 lever** for removing the tower.



**Installation sheet** DIN A3

# Installation

Before installation, it is important to read the information given on the following pages as well as the "Appliance dimensions" and the "Warning and Safety instructions" at the beginning of this booklet. This is particularly crucial when using the cooker hood at the same time as a heating appliance that relies on oxygen from the same room to avoid the danger of toxic fumes building up.

## Installation instructions

See enclosed Installation sheet for instructions on how to install this appliance.

## Protective foil

(on stainless steel appliances)

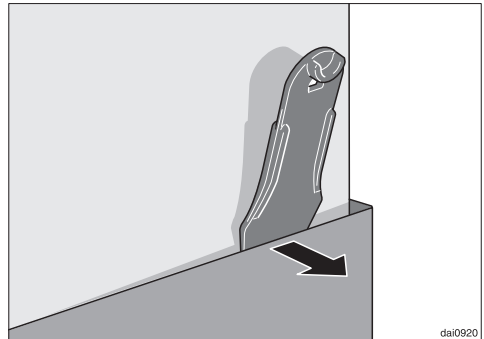
The tower and extension piece have protective foil around them to prevent them being damaged during transport.

Please remove this foil before fitting them. It can be peeled off easily.

## Dismantling

Should the appliance need to be dismantled, follow the installation instructions in reverse order as described on the Installation sheet.

A lever is supplied to assist with the removal of the tower.



- After loosening the fixing screws on the tower, push the lever between the tower and the extension piece to lever the tower out of its fixings.



## Connection for air extraction

Important: To avoid the danger of toxic fumes, please observe the Warning and Safety instructions. This is especially crucial when using the cooker hood at the same time as another heating appliance which relies on air from the same room. The cooker hood should be installed according to local and national building regulations. Seek approval from the building inspector where necessary.

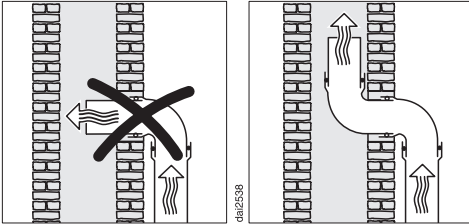
- Only use smooth pipes or flexible hoses made from non-flammable materials for the extraction ducting.
- When using an external motor, make sure that the exhaust ducting is sufficiently rigid. The external motor can cause an underpressure which could result in the exhaust ducting distorting.

To achieve the greatest possible air extraction with the lowest noise level, please note the following:

- To ensure efficient air extraction, the diameter of the exhaust ducting should not be less than 150 mm.
- If flat ducting is being used, the cross-sectional area must not be smaller than the cross-sectional area of the exhaust connection.
- The exhaust ducting should be as short and straight as possible.
- Only use wide radius bends.
- The exhaust ducting should not be kinked or compressed.
- Ensure that all connections are strong and airtight.
- Where ducting is horizontal, it must be laid to slope away at at least 1 cm per metre. This is to ensure that condensate cannot drain back into the cooker hood.

# Connection for air extraction

- If the exhaust air is to be ducted into the open air, the installation of a telescopic wall vent or roof vent is recommended.



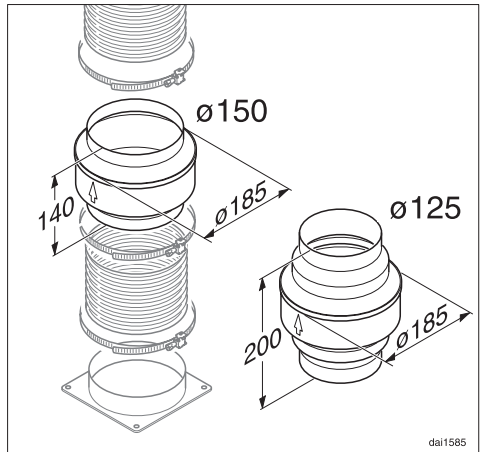
- If the exhaust air is to be ducted into a vent flue, the ducting must be directed in the flow direction of the flue.

## Important.

If the exhaust ducting is to run through rooms, ceiling space etc. where there may be great variations in temperature between the different areas, the problem of condensation will need to be addressed. The exhaust ducting will need to be suitably insulated.

## Condensate trap

(optional accessory)



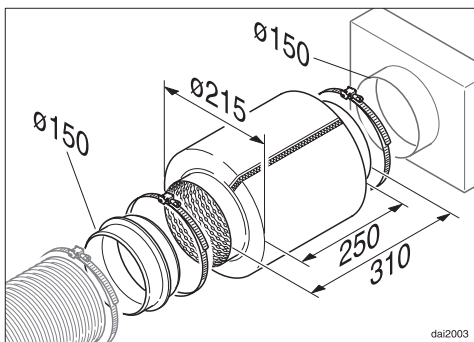
In addition to insulating the exhaust ducting, we recommend that a suitable condensate trap is also installed to collect and evaporate any condensate which may occur. Condensate traps are available for Ø 125 mm or Ø 150 mm ducting.

When installing a condensate trap, ensure that it is positioned vertically and if possible directly above the exhaust connection. The arrow on the housing indicates the direction of air-flow.

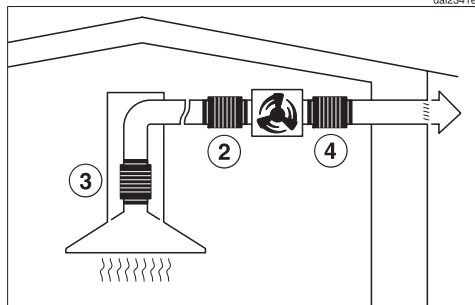
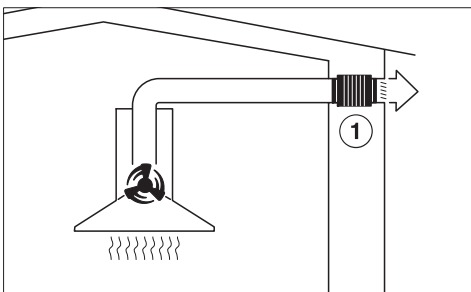
Cooker hoods designed for use with an external motor (...EXT models) have an integrated condensate trap.

## Silencer

(optional accessory)



To achieve even further reductions in noise levels, a special silencer can be fitted in the ducting system...



## ...with air extraction:

The silencer not only reduces noise from the fan, but also sounds from outside (e.g. traffic noise). For this reason the silencer must be positioned as close as possible to where the ducting leaves the building ①.

## ...air extraction with external motor:

To minimise noise from the motor in the kitchen, the silencer should be positioned in front of the external motor ② if possible, or if the ducting is long, then in the ducting above the cooker hood itself ③.

In the case of an external motor placed inside the house, fitting a silencer behind the external motor ④ reduces the noise of the motor outside the house.

In all modes of operation, the most effective noise reductions are achieved if two silencers are fitted one behind the other in the system.

## Electrical connection

---

All electrical work should be undertaken by a suitably qualified and competent person in strict accordance with current national and local safety regulations (BS 7671 in the UK).

Installation, repairs and other work by unqualified persons could be dangerous, for which the manufacturer cannot be held liable.

Ensure power is not supplied to the appliance until after installation or repair work has been carried out.

Do not connect the appliance to the mains electricity supply by an extension lead. These do not guarantee the required safety of the appliance.

**The connection data is given on the data plate.** This is visible when the grease filters have been removed. Ensure that this data matches the household mains supply.

Connection of this appliance should be made via a suitable isolator or a double pole fused spur connection unit which complies with national and local safety regulations and the On-Off switch should be easily accessible after the appliance has been built in. When switched off there must be an all-pole contact gap of 3 mm in the switch (including switch, fuses and relays according to EN 60335).

If the switch is not accessible after installation (depending on country), an additional means of disconnection must be provided for all poles.

For extra safety it is advisable to protect the appliance with a suitable residual current device (RCD). Contact a qualified electrician for advice.

### Important

This appliance is supplied for connection to an a.c. 230 V single phase 50 Hz supply.

The wires in the mains lead are coloured in accordance with the following code:

Green/yellow	= earth
Blue	= neutral
Brown	= live

**WARNING:  
THIS APPLIANCE MUST BE  
EARTHED**

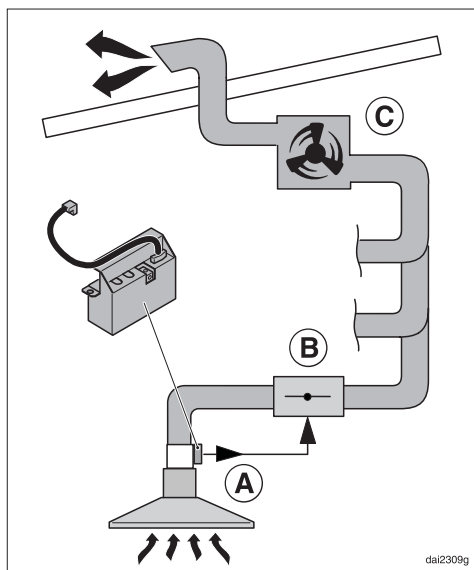
# Operation with Control module DSM 400

The Miele DSM 400 control module can be used to combine the cooker hood with other components.

It enables the following:

## Potential free connection

This can be used to operate a further appliance via the On/Off button ① on the cooker hood.



The potential free contact on the DSM 400 ① can, for example, be used in a cooker hood with an external motor ...EXT, which is connected to a central ducting system.

The contact can then be used to operate an electrically driven non-return flap ② which is connected to the central extraction unit ③.

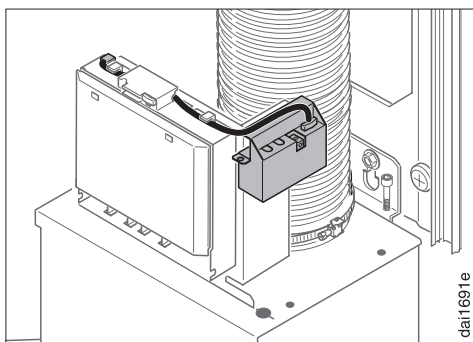
Components used in the central ducting system are not supplied by Miele.

If in any doubt, the advice of a competent builder or, for gas, a Gas Safe installer must be sought.

## Connection to a light switch

The control module can be used to switch on the cooker hood lighting and also to dim it, via a pushbutton light switch in the house.

## Installation



The tower needs to be removed before the control module can be fitted to the fan unit.

The electrical connection of components to the control module must be carried out by a suitably qualified and competent person.

# Technical data

---

Total connected load*	240 W
– Fan motor*	200 W
– Hob lighting	2 x 20 W
Halogen lamps	
Osram type 44890 WFL, 20 W	
Voltage	230 V
Frequency	50 Hz
Fuse rating GB	3 A
AUS, NZ:	
Plug rating	10 A
Test marks	Electrical safety
	C-Tick Mark
Electrically suppressed	
according to AS/NZS 1044	
Electrical cable length	1.5 m
Weight	
DA 249-4	22.5 kg
DA 249-4 EXT	19.5 kg
DA 249-4 Alu	22.5 kg
DA 249-4 Alu EXT	19.5 kg

## Fan performance\*

Extraction power according to EN 61591

Extraction system Ø 150 mm:

Level I	200 m <sup>3</sup> /h
Level II	300 m <sup>3</sup> /h
Level III	400 m <sup>3</sup> /h
Level IV Intensive Setting	640 m <sup>3</sup> /h

Extraction system Ø 125 mm:

Level I	180 m <sup>3</sup> /h
Level II	280 m <sup>3</sup> /h
Level III	380 m <sup>3</sup> /h
Level IV Intensive Setting	580 m <sup>3</sup> /h

Recirculation with charcoal filter:

Level I	150 m <sup>3</sup> /h
Level II	210 m <sup>3</sup> /h
Level III	330 m <sup>3</sup> /h
Level IV Intensive Setting	490 m <sup>3</sup> /h

## Special accessory for recirculation mode:

- **Conversion kit DUW 10**
- **Miele charcoal filter DKF 9-1**

\* For EXT models, the connected load and extraction power will depend on the type of external motor fitted.

EXT models:

Length of connection cable to external motor. . . . . 1.9 m



## United Kingdom

Miele Co. Ltd.  
Fairacres, Marcham Road  
Abingdon, Oxon, OX14 1TW  
Tel: 0845 365 0555, Fax: 0845 365 0777  
Customer Contact Centre Tel: 0845 365 6600  
E-mail: [info@miele.co.uk](mailto:info@miele.co.uk)  
Internet: [www.miele.co.uk](http://www.miele.co.uk)

## Australia

Miele Australia Pty. Ltd.  
ABN 96 005 635 398  
1 Gilbert Park Drive, Knoxfield, VIC 3180  
Tel: 1300 464 353, Fax: (03) 9764 7149  
Internet: [www.miele.com.au](http://www.miele.com.au)

## China

Miele (Shanghai) Trading Ltd.  
1-3 Floor, No. 82 Shi Men Yi Road  
Jing' an District  
200040 Shanghai, PRC  
Tel: +86 21 6157 3500, Fax: +86 21 6157 3511  
E-mail: [mieleshanghai@cn.miele.com](mailto:mieleshanghai@cn.miele.com)  
Internet: [www.miele.cn](http://www.miele.cn)

## Miele (Hong Kong) Limited

41/F - 4101, Manhattan Place  
23 Wang Tai Road  
Kowloon Bay  
Hong Kong  
Tel: (852) 2610 1331, Fax: (852) 2610 1013  
Email: [mielehk@miele.com.hk](mailto:mielehk@miele.com.hk)

## India

Miele India Pvt. Ltd.  
Ground Floor, Copia Corporate Suites  
Plot No. 9, Jasola  
New Delhi - 110025  
Tel: 011-46 900 000, Fax: 011-46 900 001  
E-mail: [customercare@miele.in](mailto:customercare@miele.in), Internet: [www.miele.in](http://www.miele.in)

## Ireland

Miele Ireland Ltd.  
2024 Bianconi Avenue  
Citywest Business Campus, Dublin 24  
Tel: (01) 461 07 10, Fax: (01) 461 07 97  
E-Mail: [info@miele.ie](mailto:info@miele.ie), Internet: [www.miele.ie](http://www.miele.ie)

## Manufacturer: Miele & Cie. KG

Carl-Miele-Straße 29, 33332 Gütersloh, Germany

# Miele

## Malaysia

Miele Sdn Bhd  
Suite 12-2, Level 12  
Menara SapuraKencana Petroleum  
Solaris Dutamas No. 1, Jalan Dutamas 1  
50480 Kuala Lumpur, Malaysia  
Phone: +603-6209-0288  
Fax: +603-6205-3768

## New Zealand

Miele New Zealand Limited  
Unit L, 10-20 Sylvia Park Road  
Mt. Wellington, 1060, Auckland, NZ  
Tel: 0800 264 353, Fax: 0800 463 453  
Internet: [www.miele.co.nz](http://www.miele.co.nz)

## Singapore

Miele Southeast Asia  
Miele Pte. Ltd.  
163 Penang Road  
# 04 - 02/03 Winsland House II  
Singapore 238463  
Tel: +65 6735 1191, Fax: +65 6735 1161  
E-Mail: [infosea@miele.com.sg](mailto:infosea@miele.com.sg)  
Internet: [www.miele.sg](http://www.miele.sg)

## South Africa

Miele (Pty) Ltd  
63 Peter Place, Bryanston 2194  
P.O. Box 69434, Bryanston 2021  
Tel: (011) 875 9000, Fax: (011) 875 9035  
E-mail: [info@miele.co.za](mailto:info@miele.co.za)  
Internet: [www.miele.co.za](http://www.miele.co.za)

## United Arab Emirates

Miele Appliances Ltd.  
P.O. Box 11 47 82  
Gold & Diamond Park  
Sheikh Zayed Road  
Building 6 / Offices Nos. 6-214 to 6-220  
Dubai  
Tel: +971-4-341 84 44  
Fax: +971-4-341 88 52  
E-Mail: [info@miele.ae](mailto:info@miele.ae), Internet: [www.miele.ae](http://www.miele.ae)



## Free Manuals Download Website

<http://myh66.com>

<http://usermanuals.us>

<http://www.somanuals.com>

<http://www.4manuals.cc>

<http://www.manual-lib.com>

<http://www.404manual.com>

<http://www.luxmanual.com>

<http://aubethermostatmanual.com>

Golf course search by state

<http://golfingnear.com>

Email search by domain

<http://emailbydomain.com>

Auto manuals search

<http://auto.somanuals.com>

TV manuals search

<http://tv.somanuals.com>