

Installation Instructions

ESW4802Vi

en-CA

Installation, repair and maintenance work should be performed by a Miele authorized service technician in accordance with national and local safety regulations and the provided installation instructions.

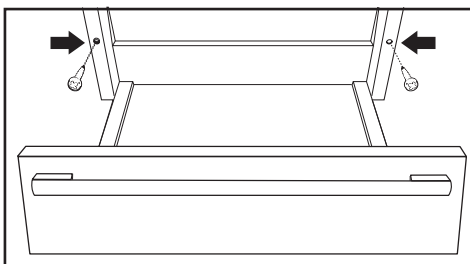
Miele appliances can be installed flush or proud. Discuss your installation requirements with your architect, designer and installer.

Check that the base of the warming drawer is clean and level. Only then will it function properly.

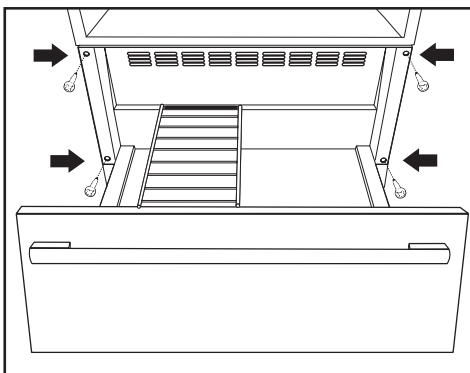
When inserting the appliance, wear work gloves to avoid injuries.

- Push the appliance into the cabinetry, and align.
- Open the drawer and fix the appliance with the supplied screws at the side panels of the cabinet (see appropriate illustration).
- ESW 4082-14 / ESW 4088-14
Install the combination appliance regarding the manual supplied with that machine.

ESW 4082-14 / ESW 4088-14



ESW 47x2 / ESW 48x2



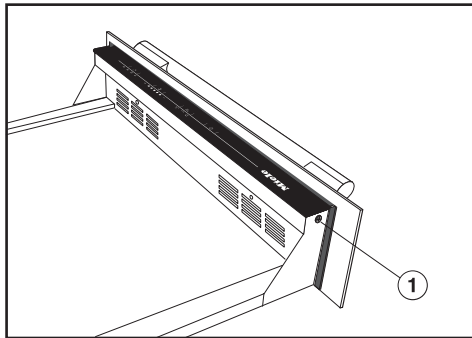
Installation

Aligning the appliance front

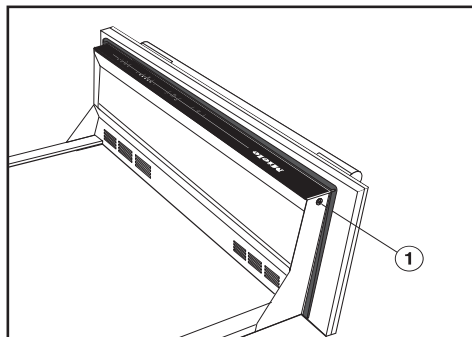
After installation it may be necessary to align the appliance front and/or the gap between the appliances/furniture front above.

- Remove the screws ① from the left and right sides of the drawer front.
- Carefully lift the control panel out of the drawer. Be careful not to pull or damage the power cord.

ESW 4082-14 / ESW 4088-14



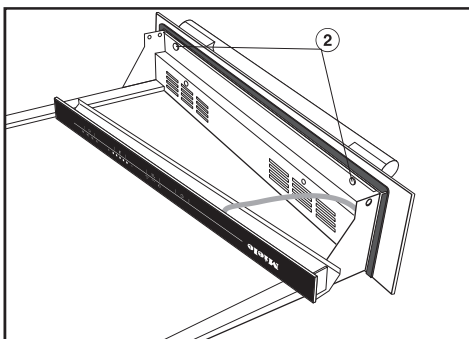
ESW 47x2 / ESW 48x2



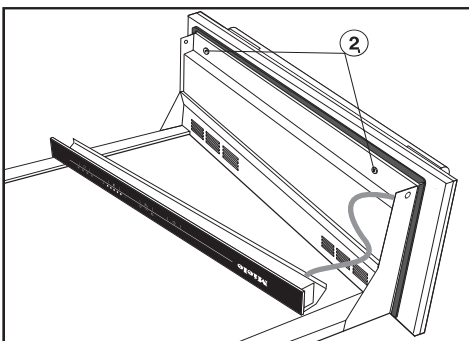
Miele appliances can be installed flush or proud. Discuss your installation requirements with you architect, designer and installer.

- Loosen the 2 screws ② on the inside of the drawer front.
- Align the front.
- Tighten the screws on the inside of the drawer front.
- Replace the control panel, use caution with the power cord.
- Replace the screws on the left and right sides of the drawer front.

ESW 4082-14 / ESW 4088-14



ESW 47x2 / ESW 48x2



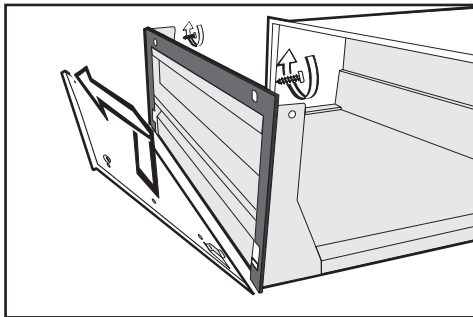
Installation

Integrated installations

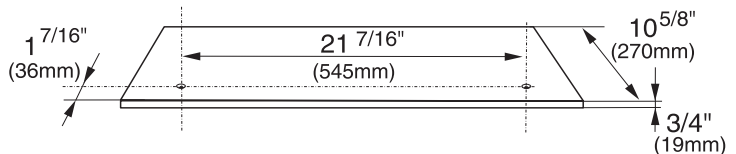
Custom made front panels can be installed with models ESW 4702 FB and ESW 4802 FB.

The custom panel must be at least $\frac{3}{8}$ " (10 mm) thick and made of heat resistant material 140 °F (60 °C). The front panel, including handle, must not exceed 11 lb (5 kg) in weight.

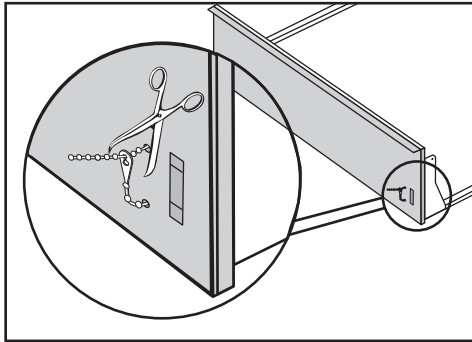
- Install a handle to the custom front panel using countersunk screws.
- Remove the screws from the left and right sides of the drawer front and carefully lift the control panel out of the drawer (see chapter "Aligning the appliance front")> Be careful not to pull or damage the power cord.
- Remove the two screws on the inner side of the drawer and remove the panel from the appliance front.



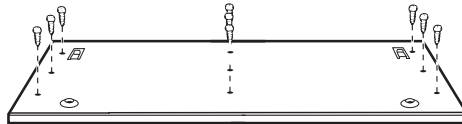
- Pre-drill the custom front panel (see illustration).
Ø $\frac{3}{8}$ " (10 mm), t = $\frac{3}{8}$ " (10 mm)



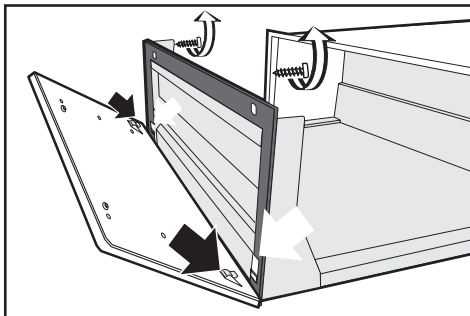
- Remove the cable tie from the panel.



- Screw the removed panel to the custom panel (see illustration).




- Hook the panel into the bottom. Make sure the seal is seated correctly.



- Replace and slightly tighten the screws on the inside of the drawer front.
- Align the front.
- Tighten the screws on the inside of the drawer front.
- Replace the control panel, use caution with the power cord.
- Replace and tighten the screws on to the left and right side of the drawer front.

Electrical connection

 **CAUTION:** Before servicing, disconnect the power supply by either removing the fuse, shutting off the power main or manually "tripping" the circuit breaker.

Installation work and repairs should only be performed by a qualified technician in accordance with all applicable codes and standards. Repairs and service by unqualified persons could be dangerous.

Before connecting the appliance to the power supply, make sure that the voltage and frequency listed on the data plate correspond with the household electrical supply. This data must correspond to prevent machine damage. Consult an electrician if in doubt.

When another appliance is installed in combination with the warming drawer to the same circuit, operating both appliances at the same time may cause an overload. If in doubt consult a qualified electrician.

Power supply

This appliance is equipped with a 5 ft (1.5 m) long power cord with a three-prong grounding plug ready for connection to a 120 V, 15 A, 60 Hz power supply.

Further installation details are on the wiring diagram.

**Please have the model and serial number
of your appliance available before
contacting Technical Service.**



U.S.A. Miele, Inc.

National Headquarters

9 Independence Way
Princeton, NJ 08540
Phone: 800-843-7231
609-419-9898
Fax: 609-419-4298
www.miele.com

Technical Service & Support Nationwide

Phone: 800-999-1360
Fax: 888-586-8056
TechnicalService@mieleusa.com

Canada Miele Limited

Headquarters and Showroom

161 Four Valley Drive
Vaughan, ON L4K 4V8
Phone: 800-643-5381
905-660-9936
Fax: 905-532-2290
www.miele.ca
info@miele.ca (general enquiries)
professional@miele.ca (commercial
enquiries)

MieleCare National Service

Phone: 800-565-6435
905-532-2272
Fax: 905-532-2292
customercare@miele.ca (technical
enquiries)

Free Manuals Download Website

<http://myh66.com>

<http://usermanuals.us>

<http://www.somanuals.com>

<http://www.4manuals.cc>

<http://www.manual-lib.com>

<http://www.404manual.com>

<http://www.luxmanual.com>

<http://aubethermostatmanual.com>

Golf course search by state

<http://golfingnear.com>

Email search by domain

<http://emailbydomain.com>

Auto manuals search

<http://auto.somanuals.com>

TV manuals search

<http://tv.somanuals.com>