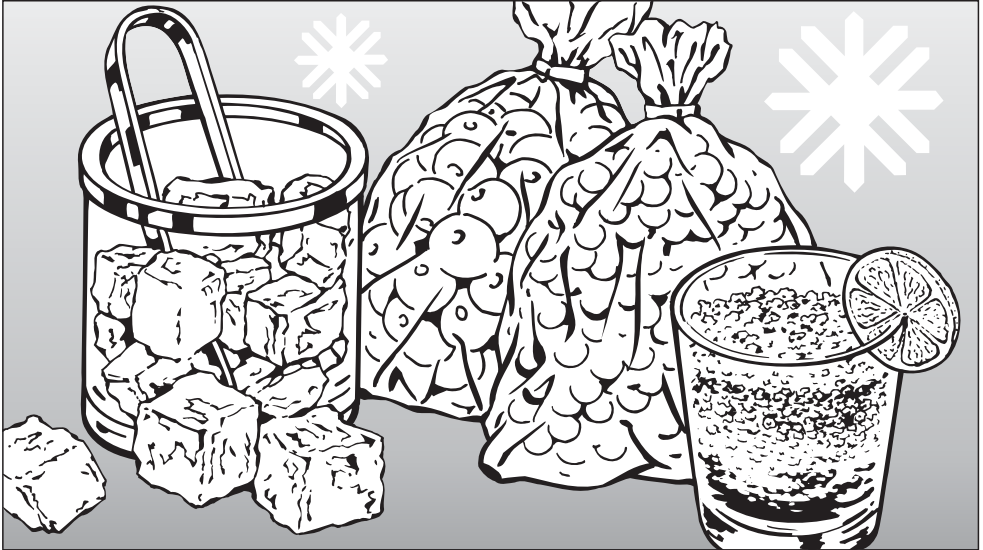


Miele

Operating and Installation Instructions



Freezer with Ice Maker F 1801 SF, F 1811 SF F 1901 SF, F 1911 SF

To prevent accidents
and appliance damage
read these instructions

before

installation or use.

en - US, CA

M.-Nr. 09 743 930

Contents

IMPORTANT SAFETY INSTRUCTIONS	4
Guide to the freezer	8
Before use	10
Turning the appliance On/Off	10
Settings	11
Using the settings	11
Additional settings	11
Turning the button sound On/Off	12
Turning off for longer periods of time	13
Temperature and door alarm	14
Temperature alarm	14
Door alarm	14
Setting the temperature	15
Using the freezer efficiently	17
Freezing food	17
Defrosting	18
Cooling drinks quickly	18
SuperCool	20
Ice cube maker	21
Automatic defrost	22
Adjusting the interior fittings	23
Moving the shelves	23
Freezer baskets	23
Ice cube container	24
Cleaning and care	25
Cleaning the interior and accessories	26
Appliance door	26
Ventilation slits	27
Door seals	27
Changing the light bulb	28
Water filter	30
Water filter change indicator	30
Exchanging the water filter	31
Confirming the filter change	32
Using an external water filter	32
Lead free certificate	35

Frequently asked questions	36
After sales service	43
Caring for the environment	46
Installation	47
Installation site	47
Stainless steel panels	50
Installation options	50
Dimensions	52
Niche dimensions	53
Installing the appliance	55
Before you begin	55
RemoteVision module installation	57
Preparing the installation niche	58
Sliding the appliance into the installation niche	62
Aligning the appliance	63
Attaching the appliance to the installation niche	64
Plumbing	66
Electrical connection	69
RemoteVision (optional accessory)	70

IMPORTANT SAFETY INSTRUCTIONS

When using the appliance, follow basic safety precautions, including the following:

Read all instructions before installation and use to prevent accidents and machine damage.

This appliance is intended for residential use only. Use only as described in this Operating manual.

Only use the appliance for its intended purpose.

This appliance complies with current safety requirements. Improper use of the appliance can lead to personal injury and material damage.

Keep these operating instructions in a safe place and pass them on to any future user.

Electrical Safety

- ▶ Before installation, make sure that the voltage and frequency listed on the data plate correspond with the household electrical supply. This data must correspond to prevent injury and machine damage. Consult a qualified electrician if in doubt.
- ▶ Before installation or service, disconnect the power supply to the work area by unplugging the unit, "tripping" the circuit breaker or removing the fuse.
- ▶ Do not use an extension cord to connect this appliance to electricity. Extension cords do not guarantee the required safety of the appliance (e.g., danger of overheating).
- ▶ Be certain your appliance is properly installed and grounded by a qualified technician. To guarantee the electrical safety of this appliance continuity must exist between the appliance and an effective grounding system. It is imperative that this basic safety requirement be met. If there is any doubt, have the electrical system of the house checked by a qualified electrician.
- ▶ Only connect power to the appliance when all installation and plumbing work is complete.

IMPORTANT SAFETY INSTRUCTIONS

Installation

This appliance is top-heavy and must be secured to prevent the possibility of tipping forward. Keep the door closed until the appliance is completely installed and secured per installation instructions.

- ▶ This appliance must be installed and connected in compliance with the installation instructions.
- ▶ Installation and repair work should be performed by a Miele authorized service technician. Work by unqualified persons could be dangerous and may void the warranty.
- ▶ Installation must comply with local plumbing regulations and state laws.
- ▶ Do not operate any appliance with a damaged cord or plug, or if the appliance has been damaged in any manner. Contact Miele's Technical Service Department.
- ▶ This appliance must not be used in a non-stationary location (e.g. on a ship).
- ▶ Do not install the freezer in a room with too low an ambient temperature, e.g., a garage, as this may lead to the appliance switching off for longer periods so that it cannot maintain the required temperature.

▶ In appliances with an automatic ice maker, avoid contact with the moving parts of the ejector mechanism, or with the heating element located on the bottom of the ice maker. Do not place fingers or hands on the automatic ice making mechanism while the freezer is plugged in.

- ▶ The ice cube maker is not suitable for connection to a hot water supply.
- ▶ Do not use water that is microbiologically or chemically unsafe or of unknown quality without adequate disinfection or other treatment before or after the filter is used; the filter alone is not an adequate safeguard.

Use

- ▶ This appliance is not designed for commercial use. It is intended for use in domestic households and in similar working and residential environments such as:
 - shops, offices and similar work environments
 - by customers in hotels, motels, Bed & Breakfasts or similar residential environments.
- ▶ This appliance is not intended for outdoor use.
- ▶ The appliance is only intended for residential use to store frozen foods, freeze fresh foods and prepare ice. All other uses are prohibited and may be dangerous.

IMPORTANT SAFETY INSTRUCTIONS

- ▶ Persons who lack physical, sensory or mental abilities, or experience with the machine should not use it without supervision or instruction by a responsible person.
- ▶ To reduce the risk of injury, do not allow children to play in, on or near the appliance, especially in the door hinge area.
- ▶ After your freezer is in operation, do not touch the cold surfaces in the freezer compartment, particularly when hands are damp or wet. Skin may adhere to these extremely cold surfaces.
- ▶ Do not refreeze frozen foods which have thawed completely.
- ▶ Do not store or use gasoline or other flammable vapors and liquids in the vicinity of this or any other appliance.
- ▶ Do not deactivate the water filter display.
- ▶ Do not use sharp-edged objects to remove frost and ice, or separate frozen foods and remove ice trays. They will damage the evaporator, causing irreversible damage to the appliance.
- ▶ Do not use defrosting sprays or de-icers, as they might contain substances which could damage the plastic parts or which could cause a build-up of gases and pose a danger to health.
- ▶ Do not use any oils or grease on the door seal, as these will cause the seal to deteriorate and become porous with time.
- ▶ Do not block the ventilation gaps in the plinth or the top of the appliance housing unit, as this can impair the efficiency of the appliance, increase the electricity consumption and cause damage to the appliance.
- ▶ Never use a steam cleaner to clean the appliance. Pressurized steam could damage electrical components and cause a short circuit.

IMPORTANT SAFETY INSTRUCTIONS

Disposal of your old appliance

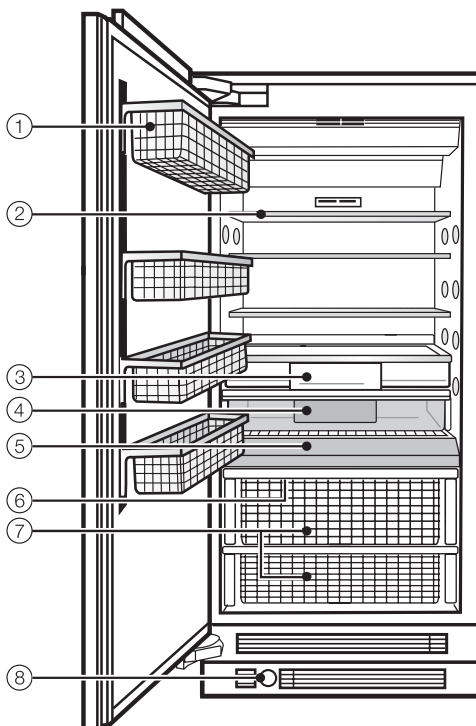
- ▶ Before disposing of an old appliance, first make the door latch or lock unusable.
 - ▶ Take off the door.
 - ▶ Leave the shelves in place so that children may not easily climb inside.
 - ▶ Consult with your municipal policy on recycling.
 - ▶ Be careful not to damage any part of the pipework while awaiting disposal by:
 - puncturing the refrigerant channels in the evaporator.
 - bending any pipework.
 - scratching the surface coating.
- Splashes of refrigerant can damage the eyes.

▶ Your old freezer may have a cooling system that used CFCs (chlorofluorocarbons). CFCs are believed to harm stratospheric ozone. If you intentionally release this CFC refrigerant, you can be subject to fines and imprisonment under provisions of environmental legislation. Make sure the CFC refrigerant is removed and disposed of by a qualified technician.

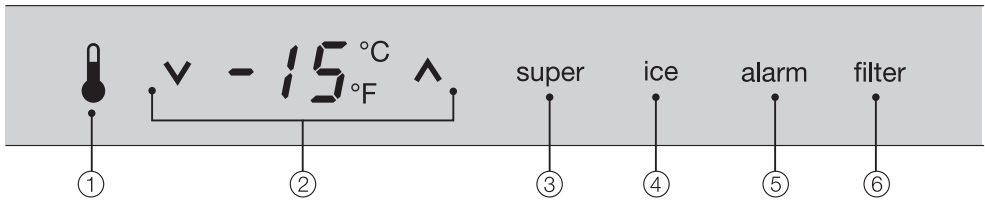
SAVE THESE INSTRUCTIONS

Guide to the freezer

- ① Door shelves (height adjustable)
- ② Shelves (height adjustable)
- ③ Ice cube maker
- ④ Ice cube container
- ⑤ Control panel
- ⑥ Main switch to turn the whole appliance On/Off
- ⑦ Freezer baskets
- ⑧ Water filter



Control panel



- ① Access button "🔑" activates the control panel
- ② Temperature display
v colder; ^ warmer
Allows you to set the desired temperature in the freezer
- ③ On/Off sensor button for the SuperCool function
- ④ On/Off sensor button for the ice cube maker
- ⑤ Sensor button for the temperature and door alarm*
- ⑥ Water filter change indicator*

* Only visible when the relevant function is activated

Before use

Before using for the first time

The stainless steel surface of the appliance is protected with a plastic film, which protects it during shipping.

Do not remove this protective film until the appliance has been completely installed.

After removing the protective film clean the exterior surface with the supplied stainless steel agent. This will aid in preventing resoiling.

- Clean the inside of the appliance and the accessories with a mild solution of warm water and liquid dish soap. Dry with a soft cloth.

If the appliance was transported to the installation site horizontally, leave the appliance standing upright for approx. 8 hours before connecting it to the electrical supply. This is very important to ensure correct functioning.

Turning the appliance On/Off

- Open the appliance door.



- Turn the appliance On/Off with the main switch.


The main switch is located on the right-side underneath the control panel.

Once on, the appliance begins cooling. When the door is open, the interior lights come on.



The access button will light in the control panel.

The preset temperatures (factory default settings) are reached after a few hours. Do not put any food in the appliance until the preset temperatures are reached.

 Turning off the appliance with the main switch does not safely isolate it from the power supply.

Using the settings

This appliance is operated with the use of touch keys activated by a finger.

- An available button will appear white.
- A selected button will appear yellow.



- Touch the access button "ⓘ" so it turns yellow.

On the control panel you will see additional sensor buttons to operate the appliance.

These buttons allow you to:

- adjust the temperature,
- select the SuperCool function, or
- turn the ice maker On/Off.

For additional information, see the corresponding sections in this manual.



- To leave the settings menu, touch the access button "ⓘ" so it turns white. The last settings entered are stored. If the access button is not pressed the display will go out after approx. 30 secs.

The other sensor buttons now disappear from the control panel.

Additional settings

In the settings mode you can select and change functions.

In settings mode, certain settings can be changed. The function possibilities are described in the respective chapters of this manual.

Overview of the selectable function settings:

Function	Display text
To enter and exit the Settings mode	<i>c</i>
Temperature unit °C - °F (see "Setting the temperature")	<i>t</i>
RemoteVision Module settings (optional accessory)	<i>r</i>
Button sound on/off (see "Settings")	<i>b</i>
No function	<i>h</i>

Settings

Turning the button sound On/Off

If you prefer the buttons to be silent when touched the button sound can be turned off.



- Touch the access button "⏏" so it turns yellow.
- Note the position of the ∨ button, but do not touch.
- Touch the access button "⏏" again so it turns white.

Only the access button "⏏" is visible.

- Place one finger on the position of the ∨ button and hold (the ∨ button will not be visible).

- While holding down the ∨ button, press the access button "⏏" once. Keep holding the ∨ button down until the following appears in the display (approx. 5 seconds).



- Tap the ∨ button until **b** appears in the display.
- Touch the access button "⏏" to confirm.
- By touching the ∨ button, you can choose between:
 - b 0** : Button sound is off
 - b 1** : Button sound is on
 - b -** : Return to menu.
- Touch the access button "⏏" to confirm the setting.
- Tap the ∨ button until you see **⊣** in the display.



- Touch the access button "⏏".

You have now left the Custom settings mode.

When you are in the Custom settings mode the door alarm is turned off automatically. Once the door is closed it is reactivated.

Turning off for longer periods of time

If the appliance is not going to be used for an extended time (for example, during a vacation) some precautions need to be taken:

- Shut off the water supply line, (several hours before switching off the appliance)
- Take all food out of the appliance
- Turn the appliance off
- Unplug the appliance
- Empty the ice cube container
- Clean the interior
- Remove and discard the water filter (secure the filter cap)
- Leave the door open to prevent odors

Temperature and door alarm

The appliance is equipped with an alarm system, to ensure that the temperature does not rise unnoticed because of energy loss or an open door.

The alarm system is always operational, it does not need to be switched on.

Temperature alarm

If the temperature becomes too warm, an alarm sounds and the "alarm" indicator turns red and flashes and the temperature flashes in the control panel.

The temperature display shows the highest temperature reached during the alarm.

The alarm will sound and the display will flash if:

- too much warm air flows into the appliance, for example when food is being loaded, re-arranged, or taken out.
- large amounts of food are being frozen at once.
- the power fails.

As soon as the alarm condition is corrected the alarm will turn off and the sensor button for alarm will go out.

Turning the temperature alarm Off

As soon as the alarm condition is corrected, the alarm signal turns off and the affected zone stops flashing in the display. The "alarm" indicator goes out.



- **To turn the alarm off early**, press the "alarm" sensor button. The alarm signal turns off. The "alarm" indicator remains on until the alarm condition is corrected.

If the temperature in the freezer zone reaches 0°F (-18°C) or higher, check that food has not defrosted.

Door alarm

If the appliance door is left open, an alarm signal will sound and the "alarm" indicator will turn red after five minutes.

Once the door is closed the alarm will turn off and the "alarm" indicator will go out.

Turning the door alarm Off

To turn the alarm off early:

- The "alarm" indicator and signal will turn off. The alarm will turn off and the "alarm" indicator will go out.

Setting the temperature



- Touch the access button "!" so it turns yellow.



- Use the V and ^ buttons next to the temperature display to set the temperature warmer or colder.

Tap the V and ^ sensor buttons to raise/lower the temperature 1°, or hold it down to move through the temperature range more quickly.

The temperature display on the control panel always shows the **desired** temperature.

Temperature range

The temperature can be set within the following range:
7°F to -11°F (-14°C to -24°C).

To freeze fresh food and store frozen food for an extended period of time, a temperature of 0°F (-18°C) is suggested.

The room temperature and the installation location can affect the time it takes for the appliance to drop to the coldest temperature. If the room temperature is too high, it may not be possible for the appliance to reach the lowest temperature.

Setting the temperature

Temperature unit (Fahrenheit/Celsius)

The temperature can be displayed in degrees Fahrenheit (°F) or Celsius (°C).



- Touch the access button "🌡️" so it turns yellow.
- Note the position of the ∨ button, but do not touch.
- Touch the access button "🌡️" again so it turns white.

Only the access button "🌡️" is visible.

- Place one finger on the position of the ∨ button and hold (the ∨ button will not be visible).

- While holding down the ∨ button, press the access button "🌡️" once. Keep holding the ∨ button down until the following appears in the display (approx. 5 seconds).



- Tap the ∨ button until **℞** appears in the display.
- Touch the access button "🌡️" to confirm.
- By touching the ∨ button you can select either Fahrenheit or Celsius for the temperature display.
℞ 0: Fahrenheit
℞ 7: Celsius
℞ -: return to menu.
- Touch the access button "🌡️" to confirm the setting.
- Tap the ∨ button until a **ε** appears in the display.



- Touch the access button "🌡️".

You have left the Custom settings mode.

When you are in the Custom settings mode the door alarm is turned off automatically. Once the door is closed it is reactivated.

Using the freezer efficiently

Freezing food

Fresh food should be frozen as quickly as possible. This helps maintain the nutritional value, vitamin content, appearance and taste of the food.

Never refreeze partially or fully defrosted food. Consume defrosted food as soon as possible, it will lose its nutritional value and spoil if left for too long. Do not refreeze defrosted food unless it has been cooked.

Before placing food in the freezer

- When you are planning to freeze large amounts of food (more than 4 ½ lbs [2 kg]), switch on the SuperCool function ahead of time (see "SuperCool"). This will provide the food already in the freezer with a protective boost of cold air.

Placing food in the freezer

Food to be frozen can be placed anywhere in the freezer.

Load bearing capacity of the baskets:

	Small basket	Large basket
F 18X1Vi/SF	72 lbs (33 kg)	72 lbs (33 kg)
F 19X1Vi/SF	94 lbs (43 kg)	94 lbs (43 kg)

- Spread the food to be frozen across the bottom of the freezer basket or across the shelves, so that it will freeze through to the core as quickly as possible.
- When placing items in the freezer, make sure the packaging and containers are dry, to keep them from sticking together when frozen.

When freezing, try not to let frozen food come into contact with unfrozen food, this could cause the frozen food to defrost.

Using the freezer efficiently

Defrosting

Frozen food can be defrosted in different ways:

- in a microwave oven,
- at room temperature,
- in the refrigerator (the cold given off by the frozen food helps to keep the other food cold),
- in a steam oven.

Poultry It is especially important to observe proper hygiene when defrosting poultry. Never save the liquid from defrosted poultry. Drain it away and promptly wash the container, the sink and your hands. Danger of salmonella poisoning.

Fruit should be defrosted at room temperature in its packaging, or in a covered bowl.

Most vegetables can be cooked while still frozen. Simply place directly into boiling water or hot oil.

Cooling drinks quickly

To cool drinks quickly, switch on the SuperCool function, see "SuperCool" for more information.

Do not leave bottles in the freezer for more than **1 hour**, closed containers could burst.

Using the freezer efficiently

Freezing tips

- The following are examples of foods **suitable** for freezing:
Fresh meat, poultry, game, fish, vegetables, herbs, fresh fruit, pastry/dough, leftovers, and a range of pre-cooked meals.
- The following examples of foods **not suitable** for freezing:
Lettuce, radishes, sour cream, mayonnaise, eggs in their shells, onions, whole raw apples and pears.
- To retain color, taste and vitamin C, vegetables should be trimmed, washed, and blanched.
To blanch: bring a large saucepan of water to a boil, then submerge the vegetables in rapidly boiling water for 2-3 minutes, depending on type. Remove, and plunge into ice-cold water to cool quickly. Drain and pack for freezing.
- Lean meat freezes better than fatty meat, and can be stored for considerably longer.
- To prevent chops, steaks, cutlets or rolled meats from freezing together in solid blocks when packed, separate with a sheet of plastic freezer wrap.
- Do not season fresh foods or blanched vegetables before freezing. Cooked food can be lightly seasoned before freezing, but care should be taken as the taste of some spices alters when frozen.

- Do not place hot foods or drinks in the freezer. This causes already frozen food to thaw, and increases the energy consumption considerably. Allow hot foods and drinks to cool down before placing them in the freezer.

Packing tips

■ Unsuitable packing material

- wrapping paper
- greaseproof paper
- cellophane
- garbage bags
- plastic shopping bags

Suitable packing material

- plastic freezer bags/wrap
- aluminum foil
- freezer containers
- To help prevent freezer burn, expel as much air as possible from bags, etc., before sealing them.
- Close the packaging tightly with
 - plastic clips
 - twist ties
 - rubber bands
- Mark the package to indicate the contents and the date of freezing.

SuperCool

When the SuperCool function is activated, the appliance is cooled as cold as possible (to a factory-preset temperature).

SuperCool

The SuperCool function is ideal for freezing large quantities of unfrozen food. Ideally the function should be switched on 4 - 6 hours before the food is placed in the freezer.

If the max. freezing capacity is used, **24 hours** are recommended.

This helps food to freeze quickly and retain its nutrients, vitamins, flavor and appearance.

Switching on SuperCool



- Touch the SuperCool sensor so that it turns yellow.

The temperature now begins to fall, with maximum cooling performance.

The new temperature setting appears in the display -22°F (-30°C).

Switching off SuperCool

The SuperCool function automatically switches off after approx. 52 hours. The sensor button turns white, and the appliance continues running at normal power.

To save energy, you can switch off the SuperCool function once the food is sufficiently chilled.



- Touch the SuperCool sensor so that it turns white.

The temperature display returns to the original temperature setting.

The appliance now continues running at normal power.

For the automatic ice cube maker to operate, it must be connected to the household water supply. See "Plumbing".

Turning on the ice cube maker

- Make sure that the ice cube container is under the ice cube maker, as far as possible.

Ice cubes will not be produced unless the container is completely closed.



- Touch the sensor button for the ice cube maker so that it turns yellow.

As soon as the freezer has cooled to a freezing temperature, the ice cube container fills with water. Cold air is blown directly over the container.

As soon as the ice cubes are frozen, they fall into the ice cube container.

The ice cube maker can produce approx. 120 ice cubes within 24 hours.

Note: Ice production will vary due to your water supply temperature, pressure and hardness.

The production volume of the ice depends on the temperature in the freezer. The lower the temperature the more ice cubes produced.

After the appliance is turned on for the very first time, it can take up to 10 hours for the first ice cubes to drop out of the ice cube maker and collect in the container.

Once the ice cube container is full, the ice cube maker switches off automatically.

Do not use the ice cube container for rapid cooling of food or drinks. The ice cube maker may become blocked and be damaged.

Do not use the first three containers of ice cubes from the ice cube maker.

Discard the ice produced in the first 24 hours after switching on the ice cube maker.

This applies for the very first use, and whenever the appliance has been out of service for an extended period of time.

The amount of ice cubes produced depends on the temperature in the freezer section. The lower the temperature, the more ice cubes will be produced in a given period of time.

Turning off the ice cube maker

The water supply line must be shut off several hours before the appliance or ice cube maker is switched off.



- Touch the sensor button for the ice cube maker so that it turns white.

Automatic defrost

The freezer defrosts automatically.

The moisture generated in the appliance collects in the evaporator. It is automatically defrosted and dissipated by the condenser periodically.

This automatic defrosting system enables the freezer to remain permanently ice-free, while ensuring that the food stored in the freezer stays frozen.

Adjusting the interior fittings

Moving the shelves

The shelves can be adjusted according to the height of the food.

- Using both hands, grasp the shelf from underneath and lift slightly so that the rear of the shelf is slightly above the mountings.
- Pull the shelf forward.
- Move the shelf to the desired height, then insert the (rear) hooks into place.
- Make sure the shelf is level.

Top shelf

- Lift the shelf up and out.
- When replacing the shelf, make sure that the latches on the corners at the back are correctly engaged.

Adjusting the door shelves

For easier loading, unloading, and cleaning, the door shelves can be shifted or completely removed.

- Using both hands, grasp the door shelf by the frame and tip it slightly forward.
- Slide the tipped shelf up or down along the slide-rails, and click it into place with the lower hooks.
- Make sure the shelf is level.

Removing a door shelf

- Slide it upward all the way to the top of the slide-rails, until it can be removed.

Replacing a door shelf

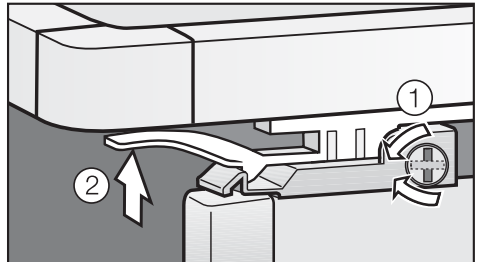
- Start at the top of the slide-rails and slide the shelf down into the desired position.

Freezer baskets

For easier loading, unloading, and cleaning, the freezer baskets can be shifted or completely removed.

- Pull the basket forward until resistance is felt.

On the hinged-side of the door is a safety lock, which must be turned to a horizontal position before the drawer can be removed.



- Using a suitable object, e.g., coin, turn the safety lock to a horizontal position ①.
- On both sides of the basket, pull the latches ② upward and lift the basket out of the freezer.

Replacing the freezer basket

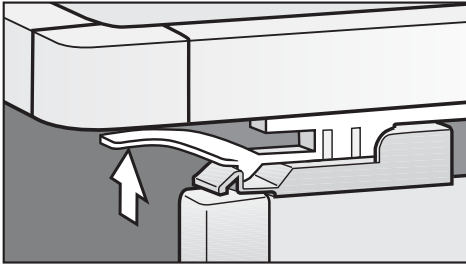
- Fully extend the telescopic tracks.
- Lay the basket onto the tracks so that it connects in the front and back.
- Turn the safety lock back to the vertical position.
- Slide the freezer basket in.

Adjusting the interior fittings

Ice cube container

The ice cube container is set on telescopic tracks, and can be removed for loading, unloading and cleaning.

- Slide the container forward until resistance is felt.



- On both sides of the container, pull the latches (see arrow) upward and lift the container out of the freezer.

Push the tracks back into the freezer to avoid injury.

Replacing the ice cube container

- Completely extend the telescopic tracks.
- Lay the container onto the tracks so that it connects in the front and back.
- Slide the ice cube container completely in.

To reduce the risk of electrical shock, disconnect the appliance from the power supply by shutting off the power main, tripping the circuit breaker or unplugging the power cord before maintenance.

Never use cleaning agents containing abrasive substances such as sand, soda, acids, chlorides or chemical solvents.

Non-abrasive cleaning agents are also unsuitable, as they can cause matte areas to appear.

Stainless steel surfaces can be cleaned using a non-abrasive stainless steel cleaner (available from Miele).

Only use a mild solution of warm water and liquid dish soap to clean this appliance.

Do not use a steam cleaner to clean this appliance. Pressurized steam could penetrate electrical components and cause a short circuit.

Do not allow water to get into the electronic unit or lights.

The data plate located inside the appliance must not be removed. It contains information which is required in the event of a service call.

To better maintain your appliance avoid the following:

- cleaners containing soda, ammonia, thinners, or chlorides
- cleaners containing descaling agents or lime removers,
- abrasive cleaners,
- dishwasher soap (powder),
- caustic (oven) cleaners,
- scouring pads, steel wool, hard brushes,
- metal scrapers,
- eraser sponges,
- steam cleaning products.

Glass cleaners may be used to clean the exterior. However **do not** allow them to sit or "puddle", this can cause damage to the surface.

Remove the cleaner promptly.

Cleaning and care

Before cleaning



- Use the main switch to turn the appliance off completely.

The main switch is located on the right side underneath the control panel.

- Unplug the power cord.
- Remove any food from the appliance and store it in a cool place.
- Take out any removable parts, e.g., shelves.

Cleaning the interior and accessories

Use a mild solution of warm water and liquid dish soap. Wash all accessories and drawers by hand. Do not wash in a dishwasher.

- Clean the appliance as needed.
- After washing, wipe down the interior and accessories with a clean wet cloth, then dry with a soft cloth. Leave the appliance door open for a short time, so the moisture can evaporate.

Appliance door

- Stainless steel surfaces can be cleaned using a non-abrasive stainless steel cleaner.
- To help prevent resoiling, a conditioner for stainless steel can also be used. Apply sparingly with even pressure.

Aluminum frames

The shelf frames and the door baskets are made of aluminum.

- Clean the frames with a mild solution of warm water and liquid dish soap.

Aluminum is susceptible to scratches and nicks, treat with care.

The aluminum frames may become discolored or otherwise altered if soiling is not cleaned away promptly.

Do not use stainless steel cleaners; lime removers; scouring pads, such as pot scrubbers; or used sponges that still contain abrasive cleanser residue to clean the frames.

Ventilation slits

- Check the ventilation slits in the base panel regularly. Remove any dirt/dust with a vacuum cleaner or brush. Clean as needed.

Door seals

Do not use any oils or grease on the door seals. This may cause the seals to deteriorate and become porous over time.

- Clean the door seals with warm water and dry with a soft cloth.

After cleaning

- Return all shelves and accessories.
- Shut the appliance door, plug in the appliance and turn it on with the main switch.
- Turn on the SuperCool function. The freezer section will cool down quickly.
- Once the temperature is cold enough, place the freezer baskets containing the frozen food into the freezer.
- Turn off the SuperCool function on a temperature of 0 °F (-18 °C) is reached.

Cleaning and care

Changing the light bulb

The lighting automatically switches off after the door has been open for approx. 5 minutes. This is not a fault.

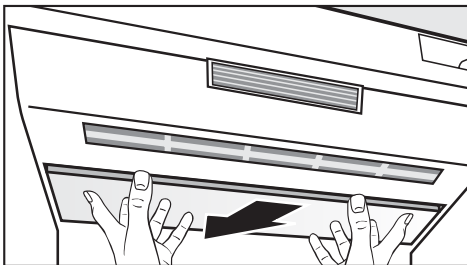
After the bulb has cooled for a short time it will turn on again.

If the light does not come on when the door is opened briefly, the light bulb should be changed.

- Use the main switch to turn the appliance off.

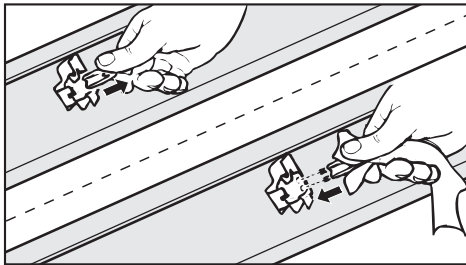
To reduce the risk of electric shock, disconnect the appliance from the power supply by unplugging or tripping the circuit breaker.

Upper lighting



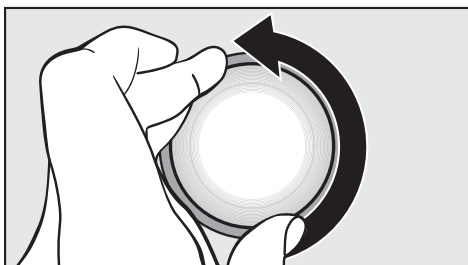
- Grasp the front of the light cover with both hands, and slide it back.
- Carefully pull the cover forward and out.

Never touch a halogen bulb with bare fingers.
When inserting a glass halogen bulb always hold with a soft cloth.



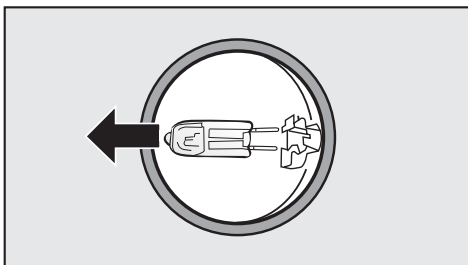
- Remove the defective light bulb.
- Place the new bulb in the socket.
Halogen bulb type:
20 W/12 V/socket GY 6.35.
- Slip the rear of the light cover back into position, then pull it forward and into place.

Side lighting



- Turn the light cover counterclockwise and pull out.

Never touch a halogen bulb with bare fingers.
When inserting a glass halogen bulb always hold with a soft cloth.



- Pull the defective light bulb from the socket.
- Place the new bulb in the socket.
Halogen bulb type:
5 W/12 V/socket G 4.
- Put the light cover back on and turn clockwise into place.
- Restore power to the appliance.

Water filter

The appliance is supplied with an active charcoal filter which improves the taste and smell of ice cubes by removing chlorine and other substances from the incoming tap water.

Additional water filters are available from Miele.

It is important to change the water filter regularly.

To avoid serious illness or death, do not use water that is microbiologically or chemically unsafe or of unknown quality without adequate disinfection or other treatment before or after use of a filter.

Note:

- After installing a new water filter and switching on the ice maker, discard the first 24 hours' worth of ice production.
- If the ice maker has not been used for a prolonged time discard any ice cubes in the freezer, empty the container and discard the ice production of the next 24 hours.
- If the appliance or ice maker have not been routinely used for several weeks or months, or if the ice cubes have an unpleasant odor, change the water filter.

Water filter change indicator

The change indicator will appear approx. every 6 months depending on the quantity of ice produced.

filter

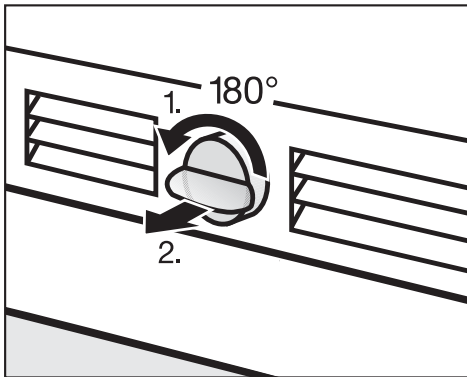
- When the filter indicator lights red, this is an indication that a filter change will soon be necessary.

New water filters (Bypass and Active charcoal filters) are available from Miele.

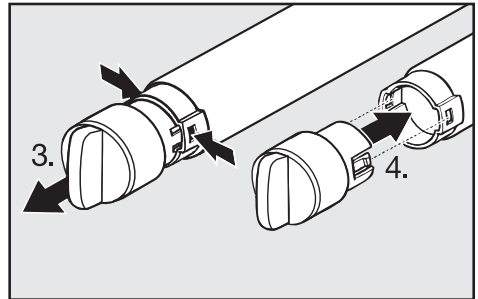
- When the filter indicator flashes red in the display the filter must be changed.

Exchanging the water filter

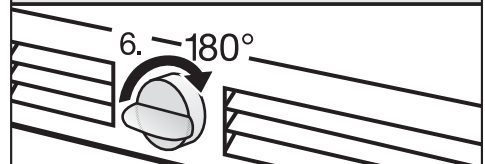
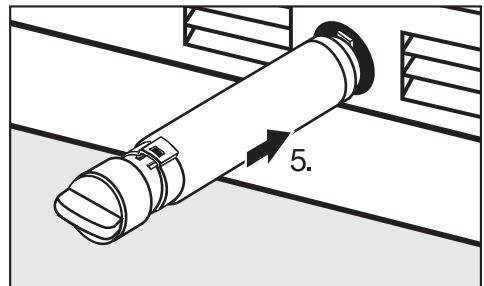
Note: Air trapped in the system may cause water and the filter cartridge to eject forcefully. Use caution when removing.



- Push in and rotate the filter cap on the base panel of your appliance counterclockwise 180°, **1.**
- Pull the used filter cartridge out of the appliance, **2.**



- Remove the cap from the used filter, **3.**
- Take a new filter cartridge out of the packaging and remove the protective cap.
- Push the cap onto the new filter cartridge, **4.**



- Push the filter cartridge with cap, in a horizontal position, all the way into the opening in the base panel, **5.**
- Rotate the filter cartridge clockwise 180° until the cap is in a horizontal position, **6.**

Water filter

filter

- After the filter change the filter indicator in the display still flashes. The change must be confirmed in the electronic.

Confirming the filter change

filter

- Press and hold the filter change sensor button.



- At the same time place a finger on the access button. Press and hold both sensor buttons for approx. 5 seconds until a beep is heard.

The water filter change has been confirmed and the filter change indicator had been reset.

The filter change indicator goes out.

- Close the door.

After installing a new water filter discard the first 24 hours of ice production.

Using an external water filter

If your household water supply already has an external water filter installed, leave the standard water filter (bypass cartridge) installed in the appliance.

State of California
Department of Public Health
Water Treatment Device
Certificate Number

06 - 1775

Date Issued: March 10, 2006

Date Revised: April 3, 2008

Trademark/Model Designation

9000 077095

Miele 07134220

Replacement Elements

9000 077104

07134220

Manufacturer: Cuno, Incorporated

The water treatment device(s) listed on this certificate have met the testing requirements pursuant to Section 116830 of the Health and Safety Code for the following health related contaminants:

Microbiological Contaminants and Turbidity

Cysts

Turbidity

Organic Contaminants

None

Inorganic/Radiological Contaminants

None

Rated Service Capacity: 740 gals

Rated Service Flow: 0.75 gpm

Conditions of Certification:

Do not use where water is microbiologically unsafe or with water of unknown quality, except that systems certified for cyst reduction may be used on disinfected waters that may contain filterable cysts.

Water filter

Performance Data Sheet For Filter Model 07134220 Using Replacement Cartridge 07134220

This system has been tested according to NSF/ANSI Standards 42 and 53 for the reduction of the substances listed below. The concentration of the indicated substances in water entering the system was reduced to a concentration less than or equal to the permissible limit for water leaving the system, as specified in NSF/ANSI 42 and 53.



System tested and certified by NSF International in Model 07134220 against NSF/ANSI Standard 53 for the reduction of Cysts and Turbidity and against Standard 42 for the reduction of Chlorine Taste and Odor; Nominal Particulate Class I.

Note that while the testing was performed under standard laboratory conditions, actual performance may vary.

To a capacity of 739.68 gallons (2800 liters).

Substance	Average Influent Concentration	Influent Challenge Concentration mg/L	Product Water Concentration	Average % Reduction	Maximum Permissible Product Water Concentration	Max. Effluent	Min. % Reduction	NSF Test
Cysts*	166500	Minimum 50,000/L	1	99.99	99.95	1	99.99	516458-05
Turbidity	10.7	11 + 1 NTU	0.31	97.09	0.5 NTU	0.49	95.42	516456-05
Particulate Class I Particle size: > 0.5 to < 1 um	5700000	At least 10,000 particles/ml	30583	99.52	≥ 85%	69000	98.9	511079-03
Chlorine taste and odor	1.9	2.0 mg/L ± 10%	0.05	97.3	≥ 50%	0.06	96.84	511081-03

* Based on the use of *Cryptosporidium parvum* oocysts

Application Guidelines/Water Supply Parameters	
Water pressure	30- 120 psi (207 - 827 kPa)
Water temperature*	33°F - 100°F (0.6°C - 38°C)
Service flow	0.75 gpm (2.83 lpm)

CAUTION: To avoid property damage due to water leakage, you MUST read and follow these operating instructions before installation and use of this product.

WARNING: Do not use with water that is microbiologically unsafe or of unknown quality without adequate disinfection before or after the system. Systems certified for cyst reduction may be used on disinfected waters that may contain filterable cysts.

NSF is a registered trademark of NSF International.
CUNO is a trademark of 3M Company used under license.
© 2007 3M Company. All rights reserved.

IMPORTANT: Must be installed and operated in accordance with application guidelines.

Failure to do so may void warranty.

Change filter at least every 6 months.

Flush new cartridge for 3 minutes.

For estimated costs of replacement elements please visit your local appliance dealer or parts distributor.



a 3M company

CUNO Engineered Products, Inc.
1000 Apollo Road
Eagan, MN 55121-2240 U.S.A.



This product F 1801 SF, F 1811 SF (KIMSDF30US) / F 1901 SF, F 1911 SF (KIMSDF36US) is tested and certified by WQA against ORD0902 for California "lead free" compliance.

Miele & Cie. KG
Carl-Miele-Straße 29
D-33332 Gütersloh

Frequently asked questions

With the aid of the following guide minor problems can be corrected without a service call.

Repairs should only be carried out by a qualified and trained person in strict accordance with local and national safety regulations. Unauthorized repairs could cause personal injury or machine damage and may void the warranty.

Problems with temperature		
Issue	Possible fault	Solution
The freezer does not get cold.	The machine is not turned on.	Check whether the appliance is turned on at the main switch. The temperature display must be lit up.
	The machine is not plugged in.	Check that the plug is correctly inserted in the power outlet.
	Check that the fuse has not tripped.	Reset the circuit breaker. If the breaker trips again the appliance or the outlet may be defective. Contact Miele or a qualified electrician.
	The temperature is set incorrectly.	Check the display.
The temperature in the freezer is too low.	Select a warmer temperature.	See "Selecting the correct temperature".
	The SuperCool function is still on.	SuperCool automatically shuts off after 52 hours.
	The door is not closed.	Check that the door has been closed properly.
	A large amount of food is being frozen at the same time.	This makes the compressor run longer, causing the temperature to fall automatically.
The freezer is too warm.	The room temperature is lower than the ambient temperature for which the appliance is designed.	Raise the temperature of the room. Operating the appliance in a room that is too cold will cause the cooling system to switch off for too long, causing the freezer section to become too warm.

Frequently asked questions

General problems		
Issue	Possible fault	Solution
Water is flowing out of the appliance.	Close the shut-off valve immediately.	
	Check whether the water pipe in the appliance is defective.	Contact Miele Technical Service.
	Check whether the water pressure is too low.	Contact a plumber.
	Check whether the correct water valve has been installed.	Self-tapping valves and 3/16" (4.76 mm) saddle valves reduce the water pressure and can block the pipe.
The door to the freezer section will not open.	This is not a fault. The suction caused by opening and closing the door too many times in succession prevents it from opening.	Wait a few minutes, then try again. It should now open without force.
The compressor kicks on very frequently and for too long.	The ventilation slits are covered or dusty.	Clean with a vacuum or brush.
	The door has been opened too frequently, or a large amount of unfrozen food has been put in at once for freezing.	Once the freezer gets down to the set temperature the compressor will turn off.
	The door is not closed.	Check that the door has been closed properly.
The freezer runs continuously.	To save energy the compressor runs at a lower speed, but for longer when less cooling is required.	
The temperature reading in the freezer shows -18°C, although a higher temperature is set.	This is not abnormal. When the ice maker is in use and the temperature of the room is above freezing the temperature automatically stays at -18°C to ensure proper functioning.	

Frequently asked questions

Alarm / Indicator warnings		
Issue	Possible fault	Solution
The alarm is going off.	The appliance door(s) have been open for longer than 5 minutes.	Close the door.
The alarm is ringing and the "alarm" indicator is flashing.	The door is not closed.	Once the alarm condition has been corrected, the alarm will turn off and the "alarm" indicator will stop flashing.
	A large amount of food is being frozen at the same time.	
	There has been a power failure.	
The filter display is red.	This is a warning that the water filter needs to be changed soon.	Order replacement filters from Miele.
The filter display is flashing red.	The water filter needs to be changed.	See "Exchanging the water filter".

Frequently asked questions

Problems with the ice maker		
Issue	Possible fault	Solution
The ice cube maker will not switch on.	The appliance is not plugged in.	Check that the appliance is connected to the power supply.
The ice cube maker is not producing any ice cubes.	When the appliance is turned on for the very first time, it can take up to 10 hours for the first ice cubes to drop out of the ice cube maker and collect in the container.	
	The appliance is not turned on.	Check that the appliance is switched on.
	The water supply line was not primed (purged of air) before the appliance was used for the first time.	Contact Miele.
	Check if: <ul style="list-style-type: none"> – the ice cube maker is switched on. – the water supply line is open. – there are ice cubes stuck together and blocking the exit. – the ice cube container is in the right position. – the freezer compartment temperature is too high. – the water pressure is too low. The water pressure must be between 25 and 120 psi (1.72-8.25 bar). 	See "Ice Cube Maker" and/or "Plumbing" for more information.
	Check whether the correct water valve has been installed.	Self-tapping valves and $\frac{3}{16}$ " (4.76 mm) saddle valves reduce the water pressure and can block the pipe.

Frequently asked questions

Problems with the ice maker		
Issue	Possible fault	Solution
The ice cubes are small.	Other domestic appliances that use water are in operation.	Avoid using such items as a dishwasher, washing machine or shower at the same time.
	Check whether the water filter needs changing.	See "Water filter" for more information.
	Check the water pressure. The water pressure must be between 25 and 120 psi (1.72-8.25 bar).	Consult a plumber.
	Check whether the correct water valve has been installed.	Self-tapping valves and $\frac{3}{16}$ " (4.76 mm) saddle valves reduce the water pressure and can block the pipe.
The ice cubes have an unpleasant odor/flavor.	When ice is stored for an extended period it may absorb odors, which affects the taste.	Use the ice maker more frequently.
	Check if the ice cube container is dirty.	Clean the container.
	Unsealed packages in the freezer will transfer odor/flavor particles to the ice cubes.	Check that food has been packed in airtight containers.

Frequently asked questions

Problems with the ice maker		
Issue	Possible fault	Solution
The ice maker is not producing enough ice or the ice cubes are misshapen.	Check the water pressure. The water pressure must be between 25 and 120 psi (1.72-8.25 bar).	Contact a plumber.
	Check that the freezer temperature is too high.	See "Selecting the correct temperature".
	Change the water filter.	See "Water filter".
Ice is forming in the supply hose to the ice maker.	Check the water pressure. The water pressure must be between 25 and 120 psi (1.72-8.25 bar).	Contact a plumber.
	Check whether the freezer compartment temperature is too high.	See "Selecting the correct temperature".

Frequently asked questions

The appliance is making noises.		
Issue	Possible fault	Solution
Brrrrr...	Humming noise made by the compressor. This noise can get louder for brief periods when the motor is switching on.	<p>These noises are not a fault.</p> <p>The noise of the compressor and the coolant circulating in the system is unavoidable.</p>
Blubb, blubb...	A gurgling noise can be heard when coolant is circulating through the pipes.	
Click...	Clicking sounds are made when the thermostat switches the compressor on and off.	
Sssrrrrr...	On multi-zone and frost-free appliances you can sometimes just hear the movement of air circulating inside the appliance. For models with a water tank, a noise will be heard when water is pumped into the tank.	
Creaking	Creaking sounds can be heard when material inside the appliance expands.	
Rattling, vibrating	The appliance is uneven.	Realign the appliance using a level, by raising or lowering the screw feet underneath the appliance.
	The appliance is touching another appliance or piece of furniture.	Move it away.
	Drawers, baskets or shelves are unstable or sticking.	Check all removable items and refit them correctly.
	Bottles or containers are unstable or knocking against each other.	Separate them.
	The transport cable clips are hanging loose at the back of the appliance.	Remove the clips.

In the event of a fault which you cannot easily fix yourself, please contact the Miele Technical Service Department at the address on the back of this booklet.

When contacting the Technical Service department, please quote the model and serial number of your appliance given on the data plate inside the appliance.

MieleCare

(USA only)

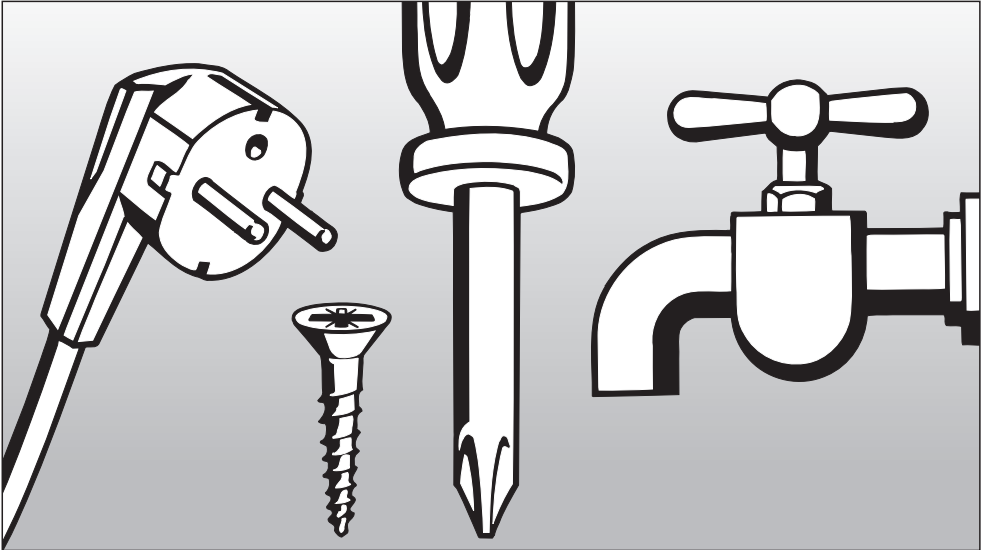
MieleCare, our Extended Service Contract program; gives you the assurance of knowing that your appliance investment is covered by 5 years of worry-free ownership.

MieleCare is the only Extended Service Contract in the industry that guarantees repairs by a Miele Authorized Service Provider using genuine Miele parts. Only genuine Miele parts installed by factory-trained professionals can guarantee the safety, reliability and longevity of your Miele appliance.

Please note that unless expressly approved in writing by the Miele Service department, Extended Service Contracts offered by other providers for Miele products will not be recognized by Miele. Our goal is to prevent unauthorized (and untrained) service personnel from working on your Miele products, possibly doing further damage to them, you and/or your home.

To learn more about **MieleCare** Extended Service Contracts, please contact your appliance dealer or visit us online at:

<http://mieleusa.com/mielecare>



Installation Instructions

Information is subject to change. Please refer to our website to obtain the most current product specification, technical & warranty information.

To prevent accidents
and machine damage
read these instructions

before

installation or use.

Caring for the environment

Disposal of packing materials

The cardboard box and packing materials are biodegradable and recyclable. Please recycle.

Ensure that any plastic wrappings, bags, etc., are disposed of safely and kept out of the reach of babies and young children. Danger of suffocation!

Disposal of an old appliance

Old appliances contain materials that can be recycled. Please contact your local recycling center about the possibility of recycling these materials.

Before discarding an old appliance, disconnect it from the electrical supply and cut off the power cord to prevent it from becoming a hazard.

Have the appliance installed by a qualified technician, according to the enclosed installation instructions.

WARNING

This appliance is top-heavy and must be secured to prevent it from tipping forward.

Keep the door closed until the appliance is completely installed and secured as per the installation instructions.

Empty weight of your machine:

F 18X1 SF 478 lbs (217 kg)

F 19X1 SF 552 lbs (237 kg)

Installation site

The appliance should be installed in a dry, well-ventilated room.

Do not install the appliance:

- outdoors
- in an environment with dripping water
- in rooms that are at risk of frost.

The installation location should not be exposed to direct sunlight, nor near a heat source, such as an oven, radiator, etc.

The ambient temperature should not drop below 55°F (13°C) or rise above 110°F (43°C), otherwise malfunctions may occur.

If installation next to a heat source is unavoidable observe the following minimum distances from the heat source:

- 1 1/4" (3 cm) from an electric cooktop or electric oven.
- 12" (30 cm) from a gas or oil cooktop, range or oven.

The following should also be taken into consideration:

- The electrical outlet must be easily accessible in case of an emergency, not concealed behind the appliance.
- The plug and cord must not touch the rear of the appliance as they could be damaged by vibrations from the appliance.
- Do not plug in other devices behind this appliance.

Installation

Important! When there is high humidity a build-up of condensation on the outer surfaces of the appliance can occur. This can cause the surfaces to corrode. To prevent this, it is advisable to install the appliance in a dry and/or an air-conditioned room with sufficient ventilation. Please ensure that doors close and seal properly after installation and that the appliance is installed in accordance with these installation instructions and with the required ventilation openings.

- If the room is too cold, it will cause the cooling system in the appliance to remain off for too long. This can cause the temperature in the appliance to rise, resulting in damage.

Base

A fully loaded appliance is very heavy. The load-bearing capacity of your floor must meet the following requirements. The approx. weight of a fully loaded machine is:

F 18X1 SF 1,007 lbs (457 kg)

F 19X1 SF 1,197 lbs (543 kg)

To ensure that the appliance is installed securely and functions properly, the base must be flat, level and made of a hard, rigid material.

If in doubt, contact Miele.

Furniture/fixtures

The new appliance will be mounted securely to adjacent and overhead furniture/fixtures.

For this reason, it is essential that all attachable furniture/fixtures be connected securely to the floor or wall by a suitable means.

Ventilation

The air intake and outlet must not be blocked or covered in any way. They also need to be dusted/cleaned on a regular basis.

Installation niche

To ensure safe, trouble-free installation and the best possible cosmetic result, check to be sure that the installation space complies with the installation dimensions. See "Niche dimensions".

The side walls of the installation cavity must be plumb.

The minimum thickness of the side walls and the top wall must be $\frac{5}{8}$ " (16 mm).

The minimum thickness of the toe-kick panel must be $\frac{1}{2}$ " (13 mm). A thickness of $\frac{3}{4}$ " (19 mm) is recommended.

Installation

Stainless steel panels

Stainless steel door panels and toe-kick covers are available from Miele.

Installation options

There are many different installation options. You are limited only by the design of the kitchen.

The door hinge cannot be exchanged.

Single column

The appliance can be installed at any preferred location in the kitchen.

However, be sure the door will open and close properly in the chosen location.

Side-by-side

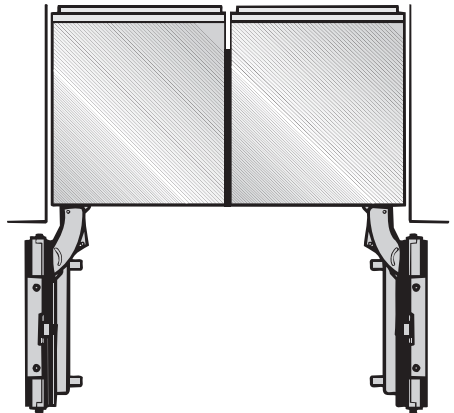
This appliance can be installed "side-by-side" with another fridge/freezer using a "Merging Kit".

The "Merging Kit" is available from Miele.

Contact Miele or your dealer for specific information about which combinations will work with your appliance.

For instructions on how to attach the appliances and install the heating mat, please refer to the instructions included with the "Merging Kit", available from Miele.

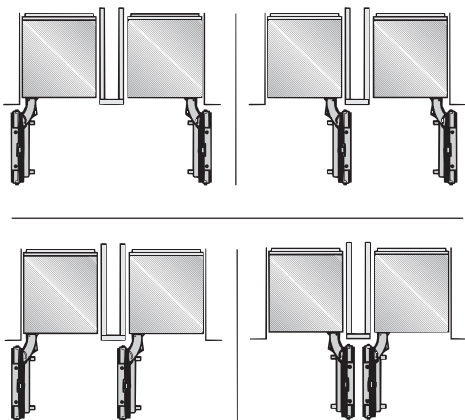
Installation without a partition using the "Merging Kit"



If the appliances are installed directly next to each other (without a partition), they need to be attached together using the "Merging Kit".

Installation with partition using the "Merging Kit"

The minimum thickness of the partition is $\frac{5}{8}$ " (16 mm).



If there is a partition with a thickness **from $\frac{5}{8}$ " (16 mm) to $6 \frac{5}{16}$ " (160 mm)** between the adjacent appliances, then each appliance should be individually installed within its own niche using the mounting accessories included. The "Merging Kit" will also be needed.

The "Merging Kit" is available from Miele.

Installation with partition without using the "Merging Kit"

If there is a partition with a thickness of **more than $6 \frac{5}{16}$ " (160 mm)** between the adjacent appliances, then each appliance should be individually installed within its own niche using the mounting accessories included (the "Merging Kit" is not necessary).

Side panels

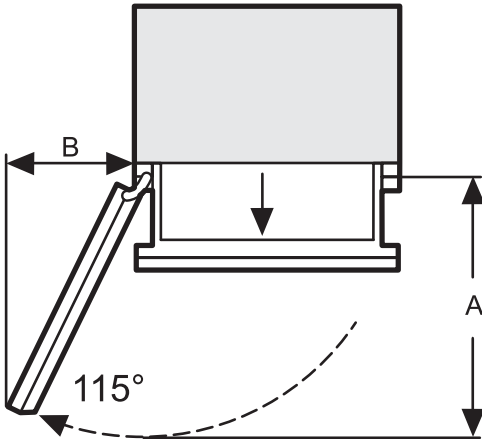
If one side of the appliance is visible, a side panel must be used.

The side panel must be firmly secured to the wall, the floor and the overhead furniture/fixtures before the appliance is placed in the cavity.

The dimensions of the side panel are taken from the opposite wall of the installation space. During installation, ensure that the cavity is square and the measurements are correct.

Dimensions

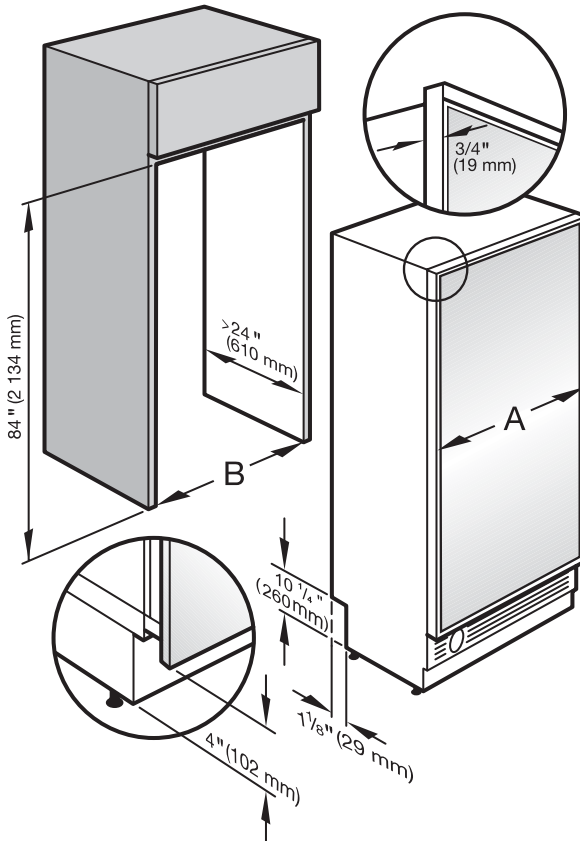
Door dimensions (open 115°)



	A	B
F 18X1 SF	32 ⁵ / ₈ " (829 mm)	14 ⁵ / ₁₆ " (363 mm)
F 19X1 SF	38 ¹¹ / ₁₆ " (982 mm)	16 ⁷ / ₈ " (428 mm)

Miele recommends using the full door opening angle of 115° for this freezer.

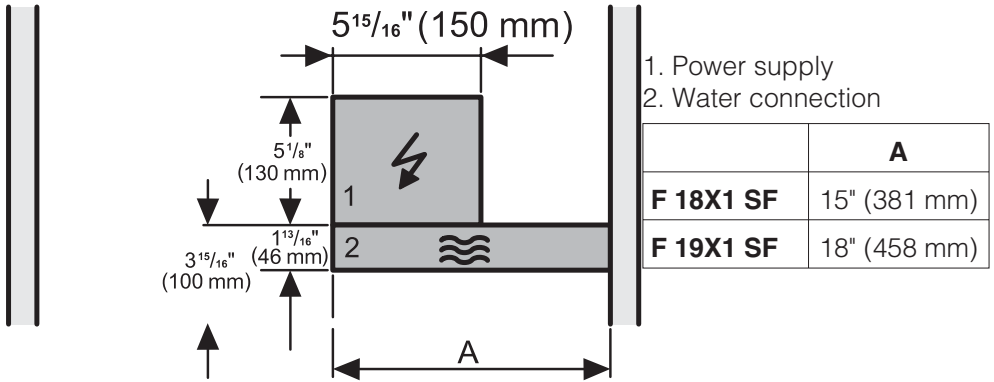
Niche dimensions



Niche width (A)	
F 18X1 SF	30" (762 mm)
F 19X1 SF	36" (915 mm)

Dimensions

Power supply and water connection



Install a pressure limiting device and water hammer arrester for inlet water pressures exceeding 80 psi. (Refer to Uniform Plumbing Code, Sections 608.2 and 609.10) Never install or operate where inlet water pressure may exceed 120 psi.

Before you begin

Read these instructions completely and carefully.

Have the appliance installed by a qualified technician, according to the enclosed installation instructions.

To reduce the risk of injury or damage to the product, two people should be used for installation.

These installation instructions are intended for use by qualified installers. In addition to these instructions, the appliance must be installed in accordance with all local codes. In the absence of a local code, the following should be used:

- In the USA, the National Electric Code, ANSI/NFPA 70 - latest edition/State and Municipal codes and/or local codes.
- In Canada, the Canadian Electric code C22.1 - latest edition/Provincial and Municipal codes and/or local codes.

Tools needed for installation

- Cutter with adjustable blade
- Cordless screwdriver T 20
- Torx screwdriver T 20
- Hammer drill for drilling holes in wall or floor
- Wood drills in different sizes
- Hammer

- Open-ended wrench ½" (SW 13 mm)
- Box-end wrench
- 5/16" (8 mm) hex nut driver
- Adhesive tape
- Multi-grip pliers
- Level
- Metal tape measure
- Square

Other

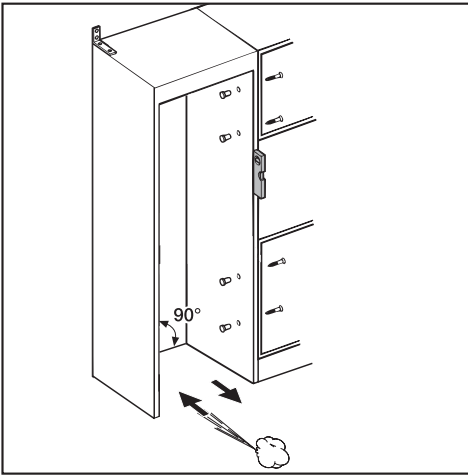
- Stepladder
- Dolly, hand truck
- Wooden beam (cross section min. 3" x 4" [75 mm x 100 mm] as an alternative tilt protection, length depends on the width of the installation cavity)
- Wood screws in different sizes
- Edge protector(s)

Optional accessories

- "Merging Kit" for side-by-side installation
- RemoteVision module for wireless monitoring

Installing the appliance

Aligning the housing unit



The housing unit must be carefully aligned using a spirit level before installing the appliance. The unit corners must be at right angles, as otherwise the furniture door will not align correctly with the 4 corners of the appliance.


- The side panels of the housing must be even.
- The housing unit panels must be at least 16 mm thick.
- The plinth facing must be at least 13 mm thick (or preferably 19 mm).

Check the installation niche

To ensure a safe, trouble-free installation and the best possible cosmetic result, check to be sure that the installation space complies with the installation requirements.

- Check the base (see "Installation").
- Check the dimensions of the cavity.
- Check that the cavity is square.
- Check the location of the power outlet.
- Check the location of the water connection (see "Plumbing").
- Check that all furniture parts in the vicinity of the appliance are securely connected to the wall.
- Check that the adjacent furniture/fixtures do not collide with the open door.

Before installation

 Caution - the appliance is very heavy. Use caution when unpacking and opening the door, danger of tipping.

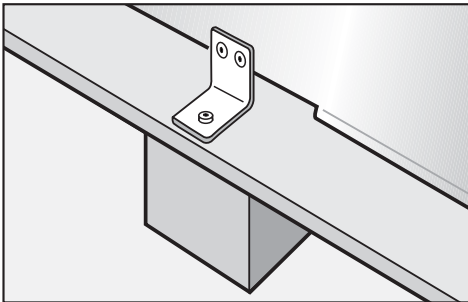
- To protect the base from damage during installation, attach a hard board, linoleum, etc., to the floor in front of the intended installation location.
- Take the supplied accessories out of the protective packaging.

Installing the appliance

There are transportation safety devices inside the appliance to protect the shelves and storage compartments until installation is complete. **Do not remove them**, or parts may be damaged.

- Check the appliance for damage in transit.

Do not install the appliance if it is visibly damaged. If in doubt, contact your dealer.



- Loosen the bracket that holds the appliance to the pallet.

⚠ Caution! The appliance is no longer secured and may be unstable.

- From the rear of the appliance carefully lift it from the pallet.

Once the appliance is on the ground it can be wheeled around.

RemoteVision module installation

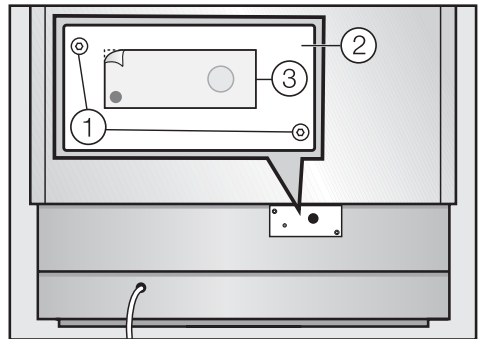
(optional accessory)

Always disconnect the appliance from the power supply when performing installation, maintenance or service work.

Install the RemoteVision module before placing the appliance in its installation niche.

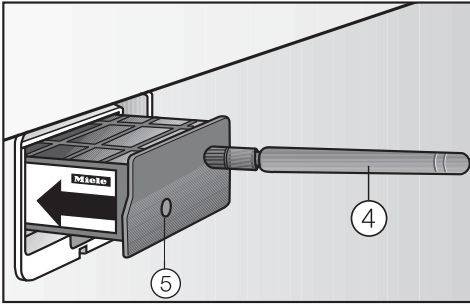
Once connected the RemoteVision module will increase the energy consumption of the appliance.

The slot for the RemoteVision module is located in the lower area of the back of your appliance.



- Unscrew the screws ① on the cover ② and pull off the sticker ③.
- Remove the cover ②.

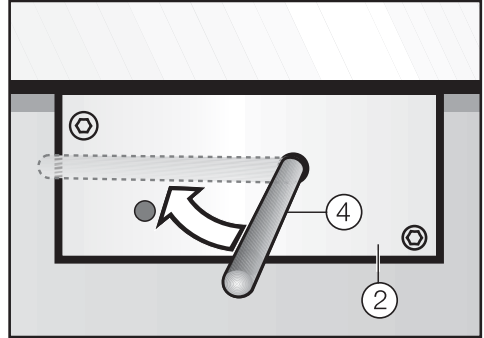
Installing the appliance



- Push the module into the slot until it locks into place.
- Connect the appliance to the power supply and turn it on. After several seconds the indicator light will come on.

The indicator light will display different colors one after the other; any control light at the end indicates that the module was correctly installed.


If the indicator light does not come on, installation of the module was unsuccessful. In that case, repeat the process. If that does not correct the problem, contact Miele.



- Pull the antenna ④ straight out.
- Guide the cover ② over the antenna ④ and screw on the cover.
- Angle the antenna ④ so that it faces to the right or left.

If necessary, disconnect the power supply and continue installing the appliance.

Preparing the installation niche

 Keep the appliance door closed until it is securely fastened in the niche. Tipping hazard.

Because of the size and weight of the appliance, it is essential to ensure that the appliance cannot tip over once it has been mounted in the niche.

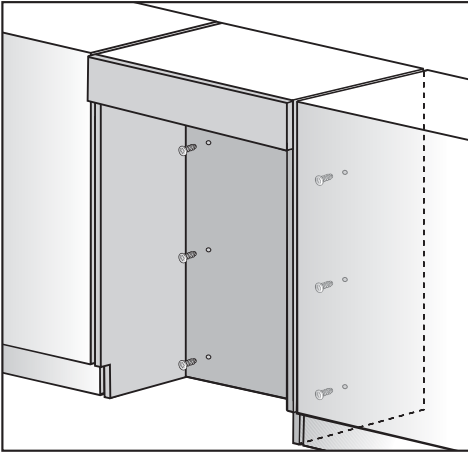
Installing the appliance



- Now attach the installation niche to the wall.

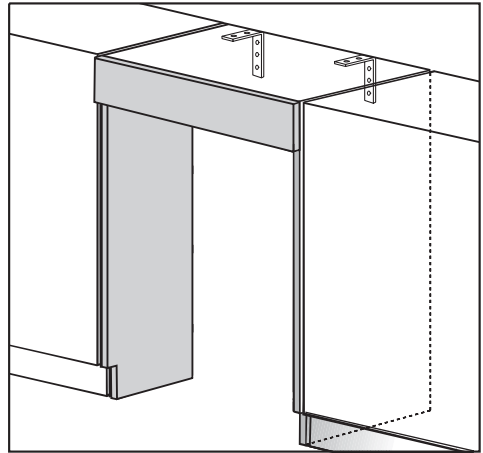
The built-in cabinet must be secured to the wall behind it with several screws.

In a cabinet with a back wall



- screw the back wall of the cabinet in several places directly to the wall behind it.
For this, use suitable plugs/screws depending on the type of wall.

In a cabinet without a back wall



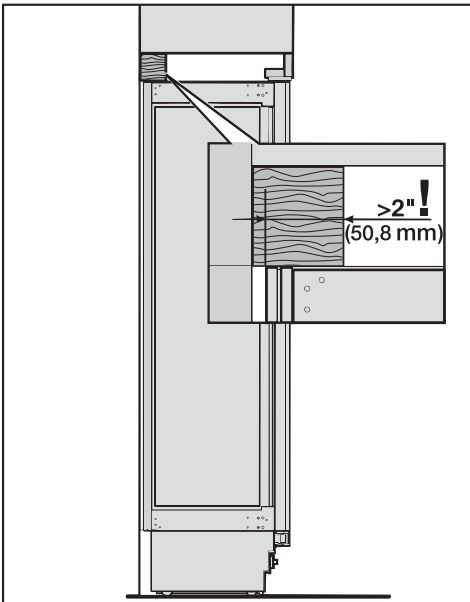
- screw the cabinet to the wall behind it in several places using suitable mounting brackets.
For this, use suitable plugs/screws depending on the type of wall.

Installing the appliance

Securing an alternative anti-tip device

If the anti-tip brackets cannot be attached securely, an alternative anti-tip device can be used. Ensure that there is no "give" between the appliance and the anti-tip device.

If possible, always screw the wooden beam to existing studs.



- Cut a wooden beam (cross section min. 3" x 4" [75 mm x 100 mm]) to the required length.

The length is equal to the width of the installation niche.

- If the installation niche is deeper than the appliance, select a beam with a larger cross section, or attach two beams.

- The beam must cover the appliance by at least 2" (50.8 mm).
- Mark the installation height (lower edge of the beam) on the rear wall of the niche.
- Select screws according to the thickness of the wooden beam. Example: 3 1/2" screw for 2x4 beam.
- Determine the number of screws based on the cavity width, to ensure that the beam will be attached securely.
- Locate wall studs near the rear wall of the cavity and mark drill holes in the beam.
- Pre-drill the wooden beam.
- Attach the wooden beam to the rear wall of the niche.

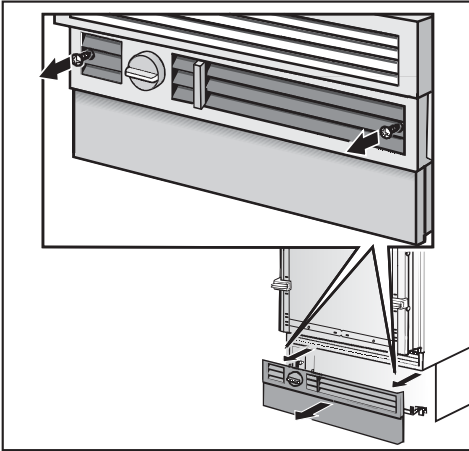
If a side-by-side installation is desired, connect the two appliances together. See the Installation Manual included with the "Merging Kit".

Now prepare the water connection from the appliance to the main supply line (see "Plumbing").

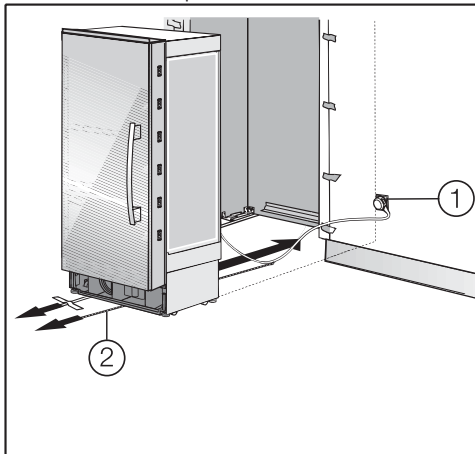
Installing the appliance

Sliding the appliance into the installation niche

If a side-by-side installation is desired, connect the two appliances together. See the Installation Manual included with the "Merging Kit".



- Unscrew the plinth.



- To protect the corners of the installation space, attach edge protectors where needed (not included).

- Plug the appliance into the power outlet ①.

The plug of the appliance should be easily accessible after installation. If the plug is not accessible after the appliance has been installed, disconnection from the power supply should be completed via the circuit breaker.

In the case of side-by-side installations, a separate outlet must be used for each appliance.

- To prevent the power cord from becoming caught:
Tie a piece of string to the middle of the power cord and feed it forward under the appliance. When sliding the appliance in, pull the cable forward ②.

- Carefully slide the appliance into the space.

If resistance is felt when attempting to slide the appliance into the installation niche - for example, because the floor is uneven,

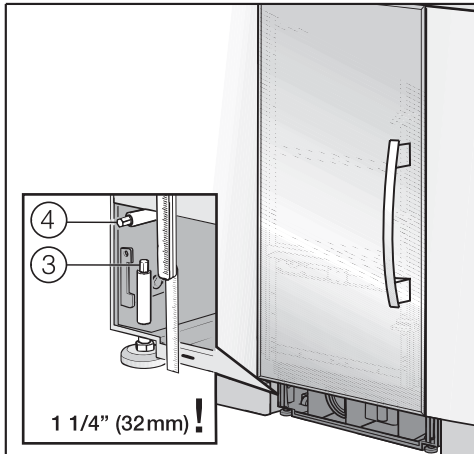
- Turn the rear adjustable wheels slightly outward (see "Aligning the appliance"), then push the appliance in.

Be careful not to damage the water pipe or power cord attached to the floor.

- Remove the edge protectors.

Aligning the appliance

- Align the appliance with the surrounding cabinets.

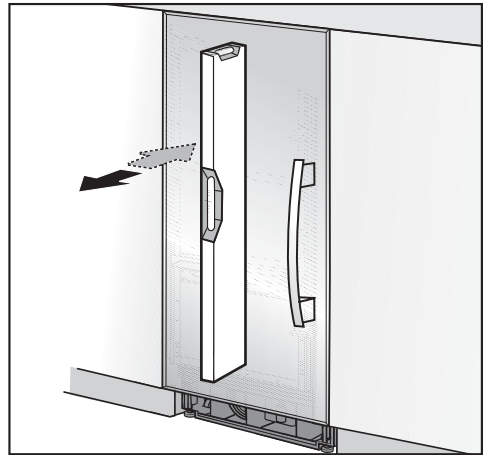


The height-adjustable feet at the front and rear can all be adjusted from the front.

- Front: with an open-ended wrench $\frac{1}{2}$ " (SW 13).
The feet can be adjusted from the top and bottom ③.
- Rear: with a $\frac{5}{16}$ " (8 mm) hex nut driver via flexible shaft ④.

Important!
When unscrewing the height-adjustable feet, proceed gradually, alternating between left and right.

- Unscrew the height-adjustable feet until the mark on the base has reached the indicated guide dimension $1 \frac{1}{4}$ " (32 mm). The guide dimension of $1 \frac{1}{4}$ " (32 mm) is related to a niche height of 84" (2134 mm).



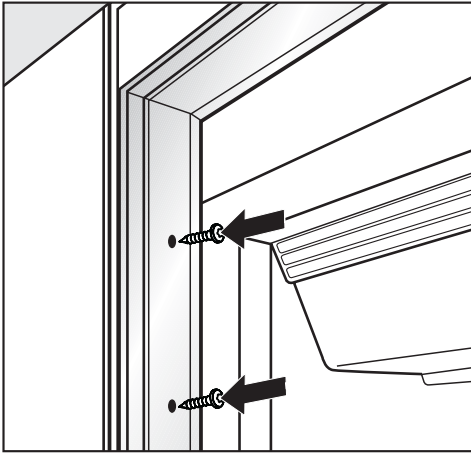
- Align the appliance again using a level.
- If using a wooden beam as an alternative anti-tip device, rotate the appliance all the way toward the wooden beam.

Note:

- Do not twist or jam the appliance inside the niche. When unscrewing the height-adjustable feet, proceed gradually, alternating between left and right.
- The adjustment of the rear feet is aided if the appliance is lifted at the rear (tipped forward slightly).

Installing the appliance

Attaching the appliance to the installation niche



- Open the appliance door.



- Fasten the appliance on the left and right hand sides with the 3 (supplied) wood screws.

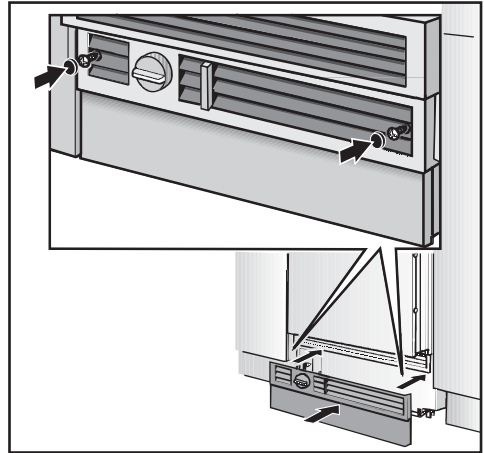
If there is a fairly large gap above the appliance, cut a wooden beam to fit exactly and place it in the gap.

Now connect the water supply to the appliance (see "Plumbing").

Attaching the toe-kick cover

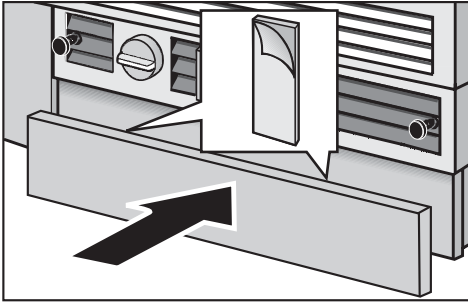
The maximum height of the toe-kick cover is 4" from the top of the floor. Do not cover the ventilation slits in the plinth. Risk of damage to the appliance.

- If required, cut the toe-kick cover to the required length and height.



- Attach the plinth to the appliance.
- Put the included cover plates in place.

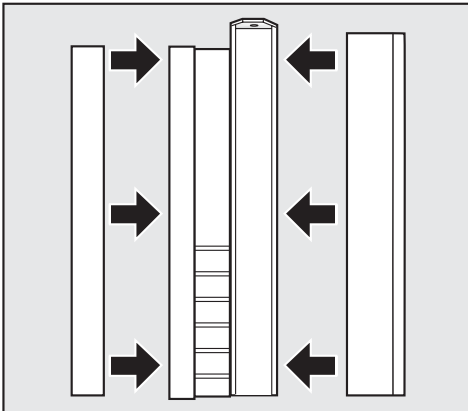
Installing the appliance



- Remove the foil from the adhesive strips.
- Attach the toe-kick cover to the plinth.

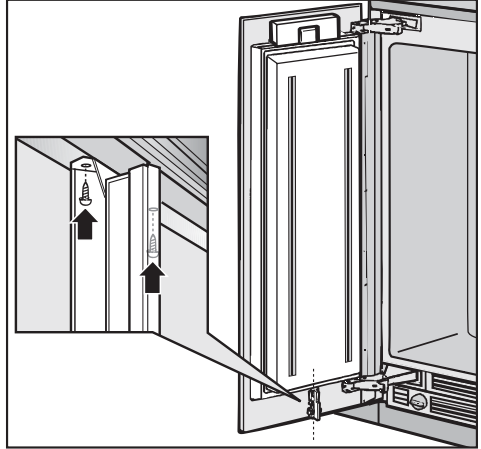
Mounting the air separator

The air separator keeps the supply and exhaust air separate. This prevents warm exhaust air from flowing into the machine, optimizing the energy performance of the unit.



- If necessary, shorten the three parts of the air separator.

- Insert the foam pieces back into the sides.
- Position the air separator in the center of the appliance door.



- From below, screw the air separator firmly onto the door with the 2 screws.

Plumbing

All plumbing work should be carried out by a suitably qualified and competent person, in accordance with all applicable local and national regulations.

Disconnect the appliance from the electrical power supply before connecting it to the water supply.

Turn off the water supply before connecting the water lines to the ice cube maker.

The water quality must conform to country requirements for drinking water.

The shut-off valve for the water connection must not be located behind the appliance. It is recommended to place the shut-off valve directly next to the appliance (base unit) or in another easily accessible location.

Do not use pipe extenders.

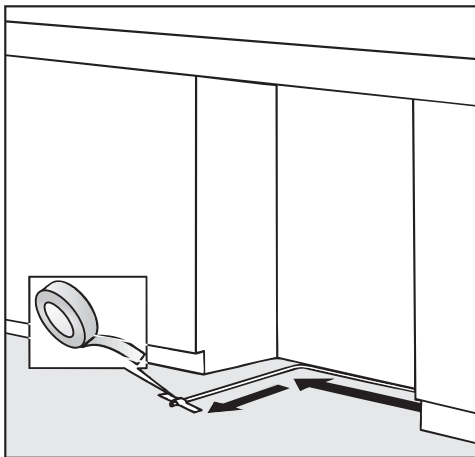
In the event that the piping has to be replaced only Original Miele Spare parts are suitable for use. Contact Miele.

- The appliance is only suitable for connection to the cold water supply.
- The water pressure must be between 25 and 120 psi (1.72-8.25 bar).
- A separate shut-off valve must be installed, so that the water supply can be interrupted as needed.
- The maximum outer diameter of the water pipe (without fittings):
 $\frac{3}{8}$ " (10 mm).

Preparing the water connection

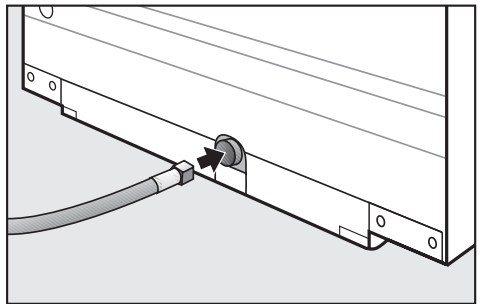
The connection to the household water supply must be installed before the appliance is installed.

- Turn off the main water valve to prevent damage caused by leaking water.
- Attach the connecting pipe to the shut-off valve, according to the instructions supplied by the manufacturer of the ice cube maker installation kit.
- Install the connecting pipe. Always observe the indicated clearance dimensions to prevent damage to the connecting pipe when pushing in the appliance.



- Secure the connecting pipe to the floor with adhesive tape.
- You may now proceed to install the appliance. See "Installing the appliance".

For appliances with a hose guide



- position the device in front of the niche and push the stainless steel tube through the hose guide at the back of the unit.

At this point the niche should be ready for the appliance to be pushed back into it (see "Installing the appliance").

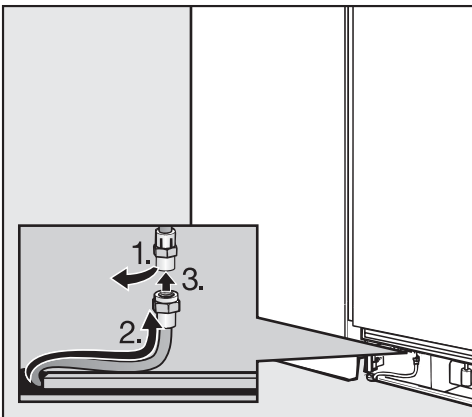
- You can now continue with the installation.

Plumbing

Connecting the water supply

When connecting the water pipe to the solenoid valve of the appliance, follow the instructions supplied by the manufacturer of the ice cube maker installation kit.


When bending the water pipe, be sure not to kink it, otherwise there is a risk of leaks and water damage. Use bending aids.



- Remove the cap from the appliance connection, **1**.
- Bend the water pipe to suit the location of the connection on the appliance, **2**.

- Push the union nut and seal onto the water pipe.
- Push the end of the water pipe into the appliance connection and screw on the union nut, **3**. First tighten by hand.
- Then use an open-ended wrench to tighten the union nut. Do not over tighten.
- Open the shut-off valve and the main water connection. Check for leaks at the connection for the shut-off valve and to the appliance.
- Turn the appliance on.

After a maximum of 10 hours the first ice cubes will drop out of the ice cube maker and collect in the ice cube container.

 Avoid the risk of electrical shock

- Plug into a grounded 3-prong outlet.
- Do not move the ground plug.
- Do not use an adapter.
- Do not use an extension cord.

Failure to follow these instructions can result in death, fire, or electrical shock.

Improper connection of the equipment grounding conductor may result in electric shock. If you are in any doubt as to whether the appliance has been properly grounded, have the appliance checked by a qualified electrician or service technician.

Installation, repairs and other work by unqualified persons could be dangerous.

Before installing the appliance, verify that the voltage, load and circuit rating information found on the data plate match the household electrical supply.

The appliance is supplied with a UL-listed, 3-wire power cord and NEMA 5-15 P plug ready for connection to a 120 V, 60 Hz supply. The fuse rating is 15 amps.

The appliance requires a 3-wire receptacle.

The receptacle must be installed by a licensed electrician only.

In the case of side-by-side installations, a separate outlet must be used for each appliance. Ideally, the power outlet should be next to the appliance and easily accessible. Do not connect the appliance to the power supply by an extension cord. Extension cords do not guarantee the required safety of the appliance (danger of overheating).

If any changes are needed to the household wiring or power supply, this work must be performed by a qualified electrician.

If there are any questions regarding the electrical connection of this appliance to the power supply, please consult a licensed electrician or call the Miele Technical Service.

 1-800-999-1360

 1-800-565-6435

RemoteVision (optional accessory)

Miele's RemoteVision Wi-Fi technology creates a 'virtual link' between your appliance and our monitoring center. If a fault occurs, Miele's client service center will be notified and contact you, or another trusted individual identified on your call roster, in order to gain access to your appliance to fix the problem.

For information on set-up and installation of the RemoteVision module see the "Installation" section of this manual.

Be sure your wireless system meets the following requirements

- A wireless router that supports an IEEE 802.11b protocol
- Windows XP® or newer operating system, Mac® OS X 10.3 or higher
- Cable or DSL modem
- Microsoft® Internet Explorer 6 or higher, Safari 2.0 or higher, Firefox 1.5 or higher

* Please note that each wireless router manufacturer supplies their own device drivers and setup programs. Due to the differences in manufacturers, exact router setup instructions are not included in this manual. Wording and instructions may vary.

RemoteVision (optional accessory)

Accessing the RemoteVision control panel



- Touch the access button "⬇️" so it turns yellow.
- Note the position of the ∨ button, but do not touch.
- Touch the access button "⬇️" again so it turns white.

Only the access button "⬇️" is visible.

- Place one finger on the position of the ∨ button and hold (the ∨ button will not be visible).
- While holding down the ∨ button, press the access button "⬇️" once. Keep holding the ∨ button down until the following appears in the display (approx. 5 seconds).



Access to the Custom settings mode is now active for approximately 10 seconds.

- Tap the ∨ button until a ⌂ appears in the display.

- Touch the access button "⬇️" to confirm.

See the table on the following page for a description of each setting in the display.

- Use the ∧ or ∨ buttons to select the RemoteVision options.

The module has been connected to the network when a ⌂ appears in the display.

If a ⌂ does not appear, refer to the "Network options" section of the XKM 2000 Installation Instruction manual.

- Press and hold the access button "⬇️" for 2 seconds to confirm the change.
- To return to the main menu, tap the ∨ button until a solid ⌂ appears in the display.
- Press the access button "⬇️" to confirm.
- Tap the ∨ button until a ⌂ appears in the display.
- Touch the access button "⬇️".

You have left the Custom settings mode.

When you are in the Custom settings mode the door alarm is turned off automatically. Once the door is closed it is reactivated.

RemoteVision (optional accessory)

MasterCool control panel options for RemoteVision

Status indicators	Description of function
Flashing $r _$	Module booting phase
Flashing $r _$	Not connected to network
Flashing $r _$	Connection to network established, no IP address assigned
Solid $r _$	Connected to network
Flashing $r _$	In Ad-Hoc Mode, not connected
Flashing $r _$	In Ad-Hoc Mode, connected

Selectable options	Description of function
$r _$	Back
$r _2$	Reboot the module
$r _3$	Reset to factory settings
$r _4$	Enter Ad-Hoc Mode

Note: If you cannot select any option (other than $r _$ - "Back", the module has not been installed correctly.

Please have the model and serial number of your appliance available before contacting Technical Service.



U.S.A.
Miele, Inc.

National Headquarters

9 Independence Way
Princeton, NJ 08540
Phone: 800-843-7231
609-419-9898
Fax: 609-419-4298
www.mieleusa.com

Technical Service & Support
Nationwide

Phone: 800-999-1360
Fax: 888-586-8056

TechnicalService@mieleusa.com

Canada
Miele Limited

Headquarters and Showroom

161 Four Valley Drive
Vaughan, ON L4K 4V8
Phone: 800-643-5381
Fax: 905-532-2290
www.miele.ca
professional@miele.ca
(commercial enquiries)

MieleCare National Service

Phone: 800-565-6435
905-532-2272
Fax: 905-532-2292
customercare@miele.ca
(general and technical enquiries)



www.miele-shop.com

Free Manuals Download Website

<http://myh66.com>

<http://usermanuals.us>

<http://www.somanuals.com>

<http://www.4manuals.cc>

<http://www.manual-lib.com>

<http://www.404manual.com>

<http://www.luxmanual.com>

<http://aubethermostatmanual.com>

Golf course search by state

<http://golfingnear.com>

Email search by domain

<http://emailbydomain.com>

Auto manuals search

<http://auto.somanuals.com>

TV manuals search

<http://tv.somanuals.com>