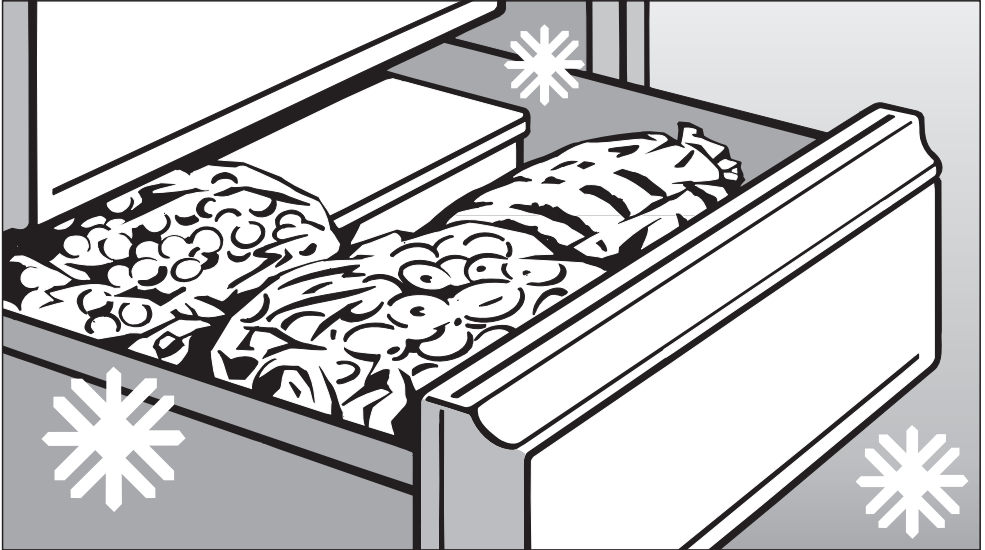


Operating and installation instructions



Freezer

F 9052 i (-1)

F 9252 i (-1)

F 9552 i (-1)

To avoid the risk of accidents or damage to the appliance, it is **essential** to read these instructions before it is installed and used for the first time.

en - GB

M.-Nr. 09 290 540

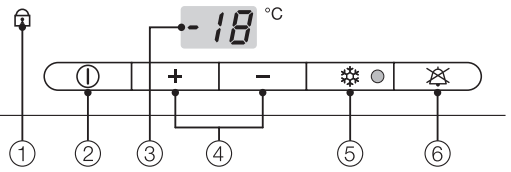
Contents

Guide to the appliance	4
Caring for the environment	5
Warning and Safety instructions	6
How to save energy	11
Switching on and off	12
Safety lock	13
Switching off for longer periods of time	13
The correct temperature	14
Setting the temperature	14
Temperature range	15
Temperature display	15
Temperature display brightness	15
Alarm	17
Temperature alarm	17
Door alarm	17
Activating the alarm system	17
Switching the alarm off early	17
Super freeze	18
Super freeze	18
Switching on Super freeze	18
Switching off Super freeze	18
Freezing and storing food	19
Maximum freezing capacity	19
Freezing fresh food	19
Storing frozen food	19
Home freezing	20
Hints on home freezing	20
Packing	20
Before placing food in the freezer	21
Placing food in the freezer	21
Freezer calendar	22
Defrosting	22
Ice cubes	23
Cooling drinks	23
Cool pack	23

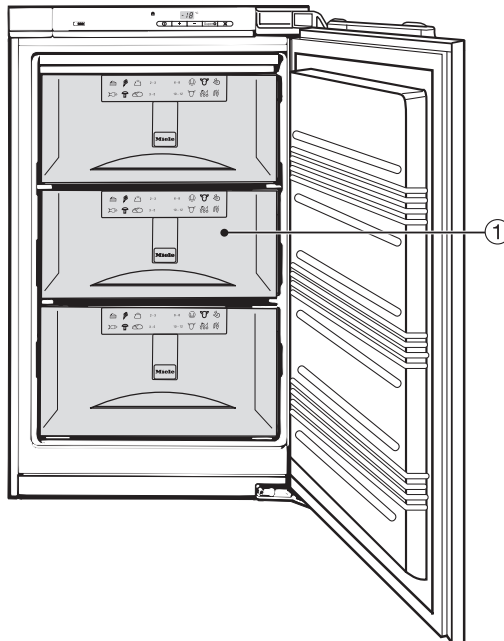
Defrosting	24
Cleaning and care	26
Cleaning the interior and accessories	26
Ventilation gaps	27
Door seal	27
Problem solving guide	28
Noises	31
After Sales / Guarantee	32
Electrical connection	33
Installation	34
Location	34
Climate range	34
Ventilation	34
Before installing the appliance	35
Does your old appliance have a different hinging mechanism?	35
Stainless steel front.	35
Building-in dimensions	36
Adjusting the door hinges	37
Changing the door hinging	38
Appliance door	38
Building in the appliance	41
Weight of the furniture door	41
Building into a peninsular run	41
Fitting a furniture door	45

Guide to the appliance

Miele



- ① Safety lock indicator light
- ② On/Off button
- ③ Temperature display
- ④ Temperature selector buttons (+ for warmer; – for colder)
- ⑤ Super freeze button and indicator light
- ⑥ Alarm off button



- ① Freezer drawers with freezer calendar

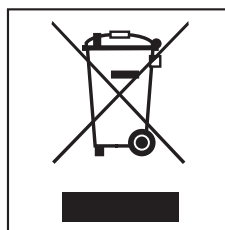
Disposal of the packing material

The transport and protective packing has been selected from materials which are environmentally friendly for disposal, and should be recycled.

Ensure that any plastic wrappings, bags etc. are disposed of safely and kept out of the reach of babies and young children. Danger of suffocation!

Disposal of your old appliance

Electrical and electronic appliances often contain materials which, if handled or disposed of incorrectly, could be potentially hazardous to human health and to the environment. They are, however, essential for the correct functioning of your appliance. Please do not therefore dispose of it with your household waste.



Please dispose of it at your local community waste collection / recycling centre or contact your dealer for advice. Ensure that it presents no danger to children while being stored for disposal.

Take care not to damage the pipework at the back of it before or during transportation to an authorised collection depot.

In this way, refrigerant in the pipework and oil in the compressor will be contained, and will not leak out into the environment.

Warning and Safety instructions

This appliance complies with all relevant legal safety requirements. Improper use can, however, present a risk of both personal injury and material damage.

To avoid the risk of accidents and damage to the appliance, please read these instructions carefully before installation and before using it for the first time. They contain important notes on the installation, safety, operation and care of the appliance.

Keep these instructions in a safe place and pass them on to any future user.

Correct application

► This appliance is not designed for commercial use. It is intended for use in domestic households and in similar working and residential environments such as:

- Shops
- Offices and showrooms

and by residents in establishments such as:

- Hostels and guest houses.

The appliance is not intended for outdoor use.

It must only be used as a domestic appliance to store deep frozen food, to freeze fresh food and to prepare ice.

Any other usage is not supported by the manufacturer and could be dangerous. Miele cannot be held liable for damage resulting from incorrect or improper use or operation of the appliance.

► The appliance can only be used by people with reduced physical, sensory or mental capabilities, or lack of experience and knowledge, if they are supervised whilst using it, or have been shown how to use it in a safe way and understand the hazards involved.

Safety with children

► This appliance is not a toy! To prevent the risk of injury, do not allow children to play with it, for example to play with the controls, to climb inside the drawers or to swing on the door.

► Children under 8 years of age must be kept away from the appliance unless they are constantly supervised.

► Children 8 years and older may use the appliance only if they have been shown how to use it in a safe way and understand the hazards involved.

Warning and Safety instructions

Technical safety

► Before setting up the appliance, check it for any externally visible damage. Do not install and use a damaged appliance.

► If the connection cable is faulty it must only be replaced by a service technician authorised by the manufacturer to protect the user from danger.



R600a

► This appliance contains the coolant Isobutane (R600a), a natural gas which is environmentally friendly. Although it is flammable, it does not damage the ozone layer and does not increase the greenhouse effect. The use of this coolant has, however, led to a slight increase in the noise level of the appliance. In addition to the noise of the compressor, you might be able to hear the coolant flowing around the system. This is unavoidable, but does not have any adverse effect on the performance of the appliance. Care must be taken during the transportation and setting up of the appliance that no parts of the cooling system are damaged. Leaking coolant can damage the eyes.

In the event of any damage:

- avoid naked flames and anything which creates a spark,
- disconnect from the mains,

- air the room in which the appliance is located for several minutes and
- contact the Service Department for advice.

► The more coolant there is in an appliance, the larger the room it should be installed in. In the event of a leakage, if the appliance is in a small room, there is the danger of combustible gases building up. For every 8 g of coolant at least 1 m³ of room space is required. The amount of coolant in the appliance is stated on the data plate inside the appliance.

► Safe operation of the appliance is only assured if it has been installed and connected in accordance with these operating and installation instructions.

► Before connecting the appliance to the mains supply, make sure that the rating on the data plate corresponds to the voltage and frequency of the household supply.

This data must correspond in order to avoid the risk of damage to the appliance. Consult a qualified electrician if in any doubt.

► Do not connect the appliance to the mains electricity supply by a multi-socket unit or an extension lead. These do not guarantee the required safety of the appliance (e.g. danger of overheating).

Warning and Safety instructions

► The electrical safety of this appliance can only be guaranteed when continuity is complete between it and an effective earthing system which complies with current local and national safety regulations. It is most important that this basic safety requirement is present and tested regularly, and where there is any doubt, the household wiring system should be inspected by a qualified electrician. The manufacturer cannot be held liable for damage or injury caused by the lack of or inadequacy of an effective earthing system (e.g. electric shock).

► Installation, maintenance and repairs may only be carried out by a suitably qualified and competent person in strict accordance with current national and local safety regulations. Repairs and other work by unqualified persons could be dangerous. The manufacturer cannot be held liable for unauthorised work.

► While the appliance is under guarantee, repairs should only be undertaken by a service technician authorised by the manufacturer. Otherwise the guarantee will be invalidated.

► The appliance must be isolated from the electricity supply during installation, maintenance and repair work. The appliance is only completely isolated from the electricity supply when:

- it has been switched off at the wall socket and the plug has been withdrawn.
- the fuse from the fused spur connection unit has been withdrawn, or
- the mains fuse is withdrawn, or the screw-out fuse is removed (in countries where this is applicable).

► Faulty components must only be replaced by genuine Miele original spare parts. The manufacturer can only guarantee the safety of the appliance when Miele replacement parts are used.

► This appliance must not be used in a non-stationary location (e.g. on a ship).

► In countries where there are areas which may be subject to infestation by cockroaches or other vermin, pay particular attention to keeping the appliance and its surroundings in a clean condition at all times. Any damage which may be caused by cockroaches or other vermin will not be covered by the guarantee.

Warning and Safety instructions

Correct use

▶ Never handle frozen food with wet hands. Your hands may freeze to the frozen food.

▶ Do not take ice cubes out with your bare hands and never place ice cubes or ice lollies in your mouth straight from the freezer. The very low temperature of the frozen ice or lollies can cause frost burn to the lips and tongue.

▶ Do not refreeze thawed or partially thawed food.

Defrosted food should be used up as quickly as possible, as food soon loses its nutritional value and goes off.

Defrosted food may only be re-frozen after it has been cooked.

▶ Never store explosive materials in the appliance or any products containing propellants (e.g. spray cans). Thermostats switching on may produce sparks which could present a fire hazard. Flammable compounds could explode.

▶ Do not operate any electrical equipment (e.g. an electric ice-cream maker) inside the appliance. Danger of sparking and explosion.

▶ Do not store cans or bottles containing carbonated drinks or liquids which could freeze in the freezer. The cans or bottles could explode. Danger of injury and damage to the appliance.

▶ When cooling drinks quickly in the freezer, make sure bottles are not left in for more than one hour, otherwise they could burst, resulting in injury or damage.

▶ Observe the "use by" dates given on food to avoid the risk of food poisoning. Storage times will depend on several factors, including the freshness and quality of the food as well as the temperature at which it is stored. Follow the instructions given on food manufacturer's packaging on storage conditions required, as well as the "use by" date.

▶ Do not use sharp edged objects to

- remove frost and ice,
- separate frozen foods or remove ice trays.

They will damage the evaporator, causing irreversible damage to the appliance.

▶ Never place electric heaters or candles in the appliance to defrost it. These can damage the plastic parts.

▶ Do not use defrosting sprays or de-icers, as they might contain substances which could damage the plastic parts or which could cause a build-up of gases and pose a danger to health.

▶ Do not use any oils or grease on the door seal, as these will cause the seal to deteriorate and become porous with time.

Warning and Safety instructions

▶ Do not block the ventilation gaps in the plinth or the top of the appliance housing unit as this would impair the efficiency of the appliance, increase the electricity consumption and could cause damage to the appliance.

▶ The appliance is designed for use within certain climate ranges (ambient temperatures), and should not be used outside this range. The climate range for your appliance is stated on the data plate inside the appliance. Installing it in a room with too low an ambient temperature, e.g. a garage, can lead to the appliance switching off for longer periods so that it cannot maintain the required temperature.

▶ Do not use a steam-cleaning appliance to defrost or clean this appliance. Steam could reach the electrical components and cause a short circuit.

Disposal of your old freezer

▶ Before disposing of an old appliance, first make the door latch or lock unusable.

This way you will prevent children from accidentally locking themselves in and endangering their lives.

▶ Be careful not to damage any part of the pipework whilst awaiting disposal, e.g. by

- puncturing the refrigerant channels into the evaporator, e.g. by
- bending any pipework.
- scratching the surface coating.

Splashes of refrigerant can damage the eyes.

The manufacturer cannot be held liable for damage caused by non-compliance with these Warning and Safety instructions.

How to save energy

	Normal energy consumption	Increased energy consumption
Installation site	In a ventilated room.	In an enclosed, unventilated room.
	Protected from direct sunlight.	In direct sunlight.
	Not near to a heat source (radiator, oven).	Near to a heat source (radiator, oven).
	Where the ideal ambient room temperature is approx. 20°C.	Where there is a high ambient room temperature.
	Do not cover the ventilation gaps and dust them regularly.	
Temperature setting with a thermostat which is approximate (set in stages).	With a medium setting of 2 to 3.	With a high setting: the lower the temperature in the compartment, the higher the energy consumption.
Temperature setting with a thermostat which is exact to the degree (digital display).	Larder section 8 to 12 °C	On appliances with winter setting, please make sure that the winter setting is switched off when the ambient temperature is warmer than 16 °C .
	Refrigerator section 4 to 5 °C	
	PerfectFresh zone just above 0 °C	
	Freezer section -18 °C	
	Wine storage section 10 to 12 °C	
Use	Drawers, shelves and racks arranged as they were when the appliance was delivered.	
	Only open the door when necessary and for as short a time as possible.	Frequent opening of the door for long periods will cause a loss of coldness.
	Store food in an organised way.	Searching for an item will mean the door is open for longer.
	Allow hot food and drinks to cool down before placing them in the appliance.	Hot food will cause the compressor to run for a long time, as the appliance will have to work harder to reduce the temperature.
	Store food covered or packaged.	The evaporation or condensation of liquids will cause a loss of coldness in the refrigerator.
	Place frozen food in the refrigerator to defrost.	
	Do not over-fill the appliance to allow air to circulate.	
Defrosting	Defrost the freezer section when a layer of ice 0.5 cm thick (maximum) has built up.	A layer of ice hinders the cold from reaching the frozen food, and increases energy consumption.

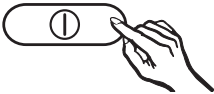
Switching on and off

Before using for the first time

Cleaning

- Clean the inside of the appliance and the accessories with lukewarm water and a little washing-up liquid, and then dry with a soft cloth.

Switching on



- Press the On/Off button.

Bars light up in the temperature display, and the freezer starts cooling.

To enable the temperature to get sufficiently cold inside the appliance, allow the appliance to run for a few hours before placing food in it.

Cool pack

Place the cool pack in the top drawer of the freezer. The cool pack will be at its most effective after it has been in the freezer for approx. 24 hours.

Switching off

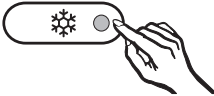
- Press the On/Off button until the temperature display goes out.

The cooling system is switched off. (If this does not happen, the safety lock is still activated).

Safety lock

The safety lock can be activated to prevent the appliance being switched off inadvertently.

Activating or deactivating the safety lock



- Press and hold the Super freeze button for approx. 5 seconds.

The Super freeze indicator light flashes, and **c** flashes in the temperature display.

- Then press the Super freeze button again.

c will light up in the display.




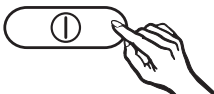
- You can now choose between **c 0** and **c 1** by pressing the temperature selector buttons:

0: the safety lock is de-activated,

1: the safety lock is activated.

- Press the Super freeze button to save the setting.

The safety lock indicator light  will light up when the safety lock has been activated.



- Press the On/Off button to come out of setting mode.

If you do not do this, the electronics will switch over to normal operation automatically after a couple of minutes.

Switching off for longer periods of time

If the appliance is not going to be used for a longer period of time, e.g. whilst on holiday:

- switch the appliance off,
- disconnect it from the mains. Switch off at the wall and withdraw the plug from the socket, or disconnect the mains fuse or remove the screw-out fuse in countries where this is applicable.
- Defrost and clean the appliance, and
- leave the door ajar to air the appliance.

If, during a long absence, the appliance is switched off but not cleaned out and the door is left shut, there is a danger of mould and odours building up inside the appliance.

The correct temperature

It is very important to set the correct temperature for storing food in the appliance. Micro-organisms will cause food which is not stored at the correct temperature to deteriorate rapidly. Temperature influences the growth rate of these micro-organisms. Reducing the temperature reduces their growth rate.

To freeze fresh food and to store frozen food for a long time, a temperature of **-18 °C** is required. At this temperature the growth of micro-organisms is generally halted. As soon as the temperature rises above -10 °C, the micro-organisms become active in the food again so that it cannot be kept as long. For this reason, partially defrosted or defrosted food must not be re-frozen. Food may be re-frozen once it has been cooked, as the high temperatures achieved when cooking destroy most micro-organisms.

The temperature in the appliance will rise:

- the more often the door is opened and the longer it is kept open,
 - if too much food is stored in it at once,
 - the warmer the food is which is being put into it,
 - the higher the ambient temperature surrounding the appliance.
- The appliance is designed for use in specific ambient temperatures (climate ranges). Do not use in ambient temperatures for which it is not designed.

Setting the temperature

Use the two buttons underneath the temperature display to set the temperature for the freezer.

Press the



+ button: to raise the temperature (it gets warmer)

– button: to reduce the temperature (it gets cooler).

The temperature being set will flash in the display.

When pressing the buttons, the following information shows in the display:

- When first pressed, the **last temperature selected** flashes.
- Each subsequent press of the button adjusts the temperature shown in 1 °C steps.
- Keeping the button pressed in adjusts the temperature continually.

Approx. 5 seconds after letting go of the button, the current **actual** temperature of the freezer section is automatically shown.

The correct temperature

If you have adjusted the temperature, **wait for approx. 6 hours if the appliance is not very full and for approx. 24 hours if the appliance is full** before checking the temperature display as it will take this long for the display to give an accurate reading. If, after this time, the temperature is still too high or too low, you will need to adjust it again.

Temperature range

The temperature can be adjusted from: -14 °C to -28 °C

The ambient temperature in the room and the installation location can affect the time it takes for the appliance to reach the lowest temperature. If the ambient temperature is too high, the appliance may not reach the lowest temperature.

Temperature display

During normal operation, the temperature display on the control panel shows the temperature in the warmest part of the appliance.

If the temperature is not within the range that the appliance is able to display (below 0 °C), bars will flash in the temperature display.

The **temperature display will flash** if

- a different temperature is being set,
- the temperature in the appliance has risen by several degrees, indicating that the appliance is warming up too much.

This loss of coldness is no cause for concern in the following circumstances:

- when the door has been left open for a while, e.g. for removing or storing a large amount of food,
- when fresh food is being frozen.

However, if the temperature in the freezer section remains above -18 °C for a long time, check that the frozen food has not started to defrost. If it has started thawing, check that the food is safe to use and if it is, use it as quickly as possible.

Temperature display brightness

The appliance is supplied with the brightness of the temperature display set as low as possible. However, if the door is opened, a setting changed or if the alarm is sounding, the temperature display will appear much brighter.

The level of brightness can be adjusted:



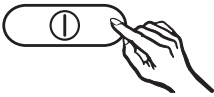
- Press and hold the Super freeze button for approx. 5 seconds.

The Super freeze indicator light flashes and a **C** flashes in the temperature display.

The correct temperature



- Press one of the temperature selector buttons repeatedly until **h** appears in the display.
- Press the Super freeze button again.
h lights up in the display.
- You can now adjust the level of brightness by pressing the temperature selector buttons. You can choose from settings **1** to **5**:
1: dimmest setting,
5: brightest setting.
- Press the Super freeze button to save the setting.



- Press the On/Off button to come out of setting mode.

If you do not do this, the electronics will switch over to normal operation automatically after a couple of minutes.

Your appliance has been fitted with a warning system which ensures that the temperature in the freezer cannot rise unnoticed and to avoid energy being wasted if a door is left open.

Temperature alarm

An alarm will sound and the temperature display will flash if the temperature becomes too warm. The temperature the appliance is set at determines the temperature the appliance recognises as being too warm.

The alarm will sound and the alarm indicator light will flash,

- if the freezer door has been left open for a while, e.g. in order to load, re-arrange or take food out.
- when freezing large amounts of food at once.
- if there has been a lengthy interruption to the power supply.

Door alarm

If the door has been left open for more than approx. 60 seconds the alarm will sound.

Activating the alarm system

The alarm system is always active. It does not have to be switched on manually.

Switching the alarm off early

Once the set temperature has been reached in the freezer, the alarm switches off and the temperature display stops flashing and lights up constantly. However, if the noise disturbs you, you can switch the alarm off before this if you wish.



- Press the Alarm off button. The alarm will stop. The temperature display continues to flash until the set temperature has been reached. The display then stops flashing and lights up constantly. The alarm system is active again.

Super freeze

Super freeze

Switch the Super freeze function on before putting fresh food into the freezer.

This helps food to freeze quickly and retain its nutrients, vitamins, flavours and appearance.

Super freeze is not necessary:

- when putting in food that is already frozen.
- when freezing less than 2 kg fresh food daily.

Switching on Super freeze

When freezing small quantities of food in the freezer, the Super freeze function should be switched on **6 hours before loading the freezer**. When freezing **the maximum load of food** the Super freeze function should be switched on **24 hours before loading the freezer**.



- Press the Super freeze button until the light comes on.

The appliance works at full power to lower the temperature in the appliance.

Switching off Super freeze

The Super freeze function will switch off automatically after a minimum of 30 hours and a maximum of 65 hours. The indicator light will go out and the appliance will run at normal power again.

To save energy, the Super freeze function can be switched off once a **constant** temperature of -18°C or colder has been reached in the freezer. You should also check the temperature inside the appliance from time to time.

- Press the Super freeze button. The Super freeze indicator light will go out, and the appliance will continue to operate at normal power.

Maximum freezing capacity

To ensure that fresh food placed in the freezer freezes through to the core as quickly as possible, the maximum freezing capacity must not be exceeded. The maximum freezing capacity for freezing within a 24-hour period is given on the data plate: "Freezing capacitykg/24 hrs".

The maximum freezing capacity given on the data plate is in accordance with DIN EN ISO 15502 Standard.

Freezing fresh food

Fresh food should be frozen as quickly as possible. This way the nutritional value of the food, its vitamin content, appearance and taste are not impaired.

Food which takes a long time to freeze will lose more water from its cells, which then shrink.

During the defrosting process, only some of this water is reabsorbed by the cells; the rest collects around the food.

If food is frozen quickly, the cells have less time to lose moisture, so they shrink less. As there is not so much moisture loss, it is easier for the food to reabsorb it during the defrosting process, and very little water collects around the defrosted food.

Storing frozen food

When buying frozen food to store in your freezer, check

- that the packaging is not damaged,
 - the use-by date,
 - the temperature at which the frozen food is being stored in the shop. The length of time it can be kept is reduced if it has been stored at a temperature warmer than -18 °C.
- Buy frozen food once you have finished the rest of your shopping, and wrap it in newspaper or use a cool bag or cool box to transport it.
 - Store it in the freezer as soon as possible.

Never re-freeze partially or fully defrosted food. Consume defrosted food as soon as possible as it will lose its nutritional value and spoil if left for too long. Defrosted food may only be re-frozen after it has been cooked.

Freezing and storing food

Home freezing

Only freeze fresh food which is in a good condition.

Hints on home freezing

- The following types of food **are suitable** for freezing:
Fresh meat, poultry, game, fish, vegetables, herbs, fresh fruit, dairy products, pastry, leftovers, egg yolks, egg whites and a range of pre-cooked meals.
- The following types of food **are not suitable** for freezing:
Grapes, lettuce, radishes, sour cream, mayonnaise, eggs in their shells, onions, whole raw apples and pears.
- To retain colour, taste and vitamin C, vegetables should be blanched after they have been trimmed and washed.
To blanch: bring a large saucepan of water to the boil, immerse the vegetables in the fast boiling water for 2-3 minutes, depending on variety. Remove, and plunge into ice-cold water to cool quickly. Drain and pack ready for freezing.
- Lean meat freezes better than fatty meat, and can be stored for considerably longer.
- To prevent chops, steaks, cutlets or rolled meat from freezing together in solid blocks when packed, separate with a sheet of plastic freezer film.
- Do not season fresh foods or blanched vegetables before freezing. Only season cooked food

lightly before freezing, but care should be taken as the taste of some spices alters when frozen.

- Do not place hot food or drinks in the freezer. This causes already frozen food to thaw, and increases the energy consumption considerably. Allow hot food and drinks to cool down before placing them in the freezer.

Packing

- Freeze food in portions.

Unsuitable packing material

- wrapping paper
- grease-proof paper
- cellophane
- bin bags
- plastic carrier bags

Suitable packing material

- plastic freezer film
- freezer bags
- aluminium foil
- freezer containers

- Expel as much air as possible from bags etc. before sealing them, to prevent freezer-burn on food.
- Close the packaging tightly with
 - rubber bands
 - plastic clips
 - string or bag ties
 - freezer tape.

Freezer bags may also be sealed using home heat sealing kits.

- Make a note of the contents and the date of freezing on the packaging.

Freezing and storing food

Before placing food in the freezer

- When freezing more than 2 kg of fresh food, switch on the Super freeze function some time before placing the food in the freezer (see "Super freeze").

This helps food that is already in the freezer compartment to stay frozen.

Placing food in the freezer

The following maximum capacities must be observed:

- freezer drawer = 25 kg
- glass cold plate = 35 kg

Food to be frozen must on no account touch food which is already frozen to avoid partial thawing.

- Make sure that the packaging and containers are dry to prevent them sticking together when frozen.

– Freezing small amounts of food

Place the food in the lower freezer drawers.

- Place the food flat in the bottom of the drawers so that it freezes through to the core as quickly as possible.

– Freezing the maximum amount (see data plate)

- Remove the lower freezer drawers.
- Place the food flat on the bottom of the appliance or in contact with the interior side walls so that it freezes through to the core as quickly as possible.

Once frozen:

- Place the frozen food in the freezer drawers and push them back into the appliance.

– Large items

If you wish to freeze large items such as a turkey or game, the glass cold plates between the drawers can be removed.





- Remove the freezer drawers and carefully lift and slide out the glass cold plates.

Freezing and storing food

Freezer calendar

The freezer calendar on the freezer drawer gives the length of time in months which various foods can be stored for effectively.

Where the storage time given on the packaging differs, follow the advice on the packaging.

	2 - 3	6 - 8	
	3 - 5	10 - 12	

2-3 months:

Cakes, ice cream, stew

3-5 months:

Fish, mushrooms, bread

6-8 months:

Pork, veal, poultry

10-12 months:

Beef, fruit, vegetables

Defrosting

Frozen food can be defrosted in different ways:

- in a microwave oven,
- in an oven using the "Fan" or "Defrost" setting,
- at room temperature,
- in the refrigerator (the cold given off by the frozen food helps to keep other food cold),
- in a steam oven.

Poultry It is particularly important to observe food hygiene rules when defrosting poultry. Do not use the liquid from defrosted poultry. Pour it away and wash the container it was in, the sink and your hands. Danger of salmonella poisoning.

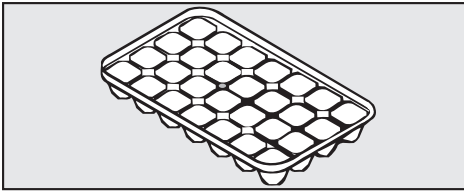
Ensure that **meat and fish** (e.g mince, chicken, fish fillets) do not come into contact with other foods while defrosting. Catch the liquid and dispose of it carefully.

Fruit should be defrosted at room temperature in its packaging, or in a covered bowl.

Most vegetables can be cooked while still frozen. Just put straight into boiling water or hot fat. The cooking time is slightly less than that of fresh vegetables due to changes in the cell structure.

Never re-freeze partially or fully defrosted food. Consume defrosted food as soon as possible as it will lose its nutritional value and spoil if left for too long. Defrosted food may only be re-frozen after it has been cooked.

Ice cubes



- Fill the ice tray three quarters full with water, and place it in the bottom of one of the drawers.
- Once frozen, use a blunt instrument, for example a spoon handle, to remove the ice tray from the freezer.
- Ice cubes can be removed easily from the tray by twisting the tray gently or by holding it under cold running water for a short while.

Cooling drinks

Do not store cans or bottles containing carbonated drinks or liquids which could freeze in the freezer. The cans or bottles could explode.

When cooling non-carbonated drinks quickly in the freezer, make sure bottles are not left in for more than one hour, otherwise they could burst.

Cool pack

The cool pack prevents the temperature in the freezer rising too quickly in the event of a power cut. This can help to prolong the storage time.

- Place the cool pack in the top drawer of the freezer.

The cool pack will be at its most effective after it has been in the freezer for approx. 24 hours.

In the event of a power cut:

- Place the frozen cool pack directly on top of the frozen food in the front of the top drawer.

When placing fresh food in the freezer, use the cool pack to separate the fresh food from the food which is already frozen so that the frozen food does not begin to thaw.

- The cool pack can also be used in a cool bag to keep food or drinks cool for a short period of time.

Defrosting

In normal use, ice and frost will form in the freezer section, e.g. on the internal walls. How much ice and frost accumulates in the appliance will depend on the following factors:

- The appliance door has been opened frequently or left open for a while.
- A large quantity of fresh food has been placed in the freezer at once.
- There has been an increase in the humidity in the room.

Too thick a layer of ice will make it hard to remove freezer drawers, and in certain circumstances can prevent the door from closing properly. Too thick a layer of ice reduces efficiency and increases energy consumption.

- The freezer should be defrosted from time to time. It must be defrosted if a layer of ice approx. 0.5 cm thick has accumulated.

The best time to defrost the freezer is when:

- there is very little food or no food left in the freezer,
- the humidity level in the room is low and the ambient temperature in the room is also low.

Do not scrape off ice and frost and do not use any sharp edged or pointed instruments to aid the defrosting process. This would damage the evaporator, causing irreversible damage to the appliance.

Before defrosting

- Switch on the Super freeze function approx. 1 day before defrosting to ensure frozen food retains its cold reserve for longer when taken out of the freezer.
- Remove the frozen food from the freezer and place it in another freezer or cool box, or wrap it in several layers of newspaper or cloths and store in a cool place until the freezer is ready for use again.
- Remove all the freezer drawers from the freezer.

To defrost

Carry out the defrosting procedure as quickly as possible if food has not been placed in another freezer. The longer the food is left out at room temperature, the faster it defrosts.

Do not use a steam-cleaning appliance to aid the defrosting process. Steam could reach electrical components and cause a short circuit.

Never place electric heaters or candles etc. inside the appliance to defrost it. They will damage plastic parts.

Do not use defrosting sprays or de-icers as they might contain substances which could damage the plastic parts or which could cause a build-up of gases and pose a danger to health.

- Switch the appliance off.
- Disconnect the appliance from the mains.
- Leave the freezer door open.

To speed up defrosting, two bowls of hot water (not boiling), with plates underneath them, can be placed in the appliance. Closing the door in this instance will help retain the warmth and speed up the defrosting process.

- Use a sponge or towel to soak up the defrosted water.

After defrosting

- Clean the appliance and then dry it thoroughly.
- Close the appliance door.
- Reconnect to the mains and switch the appliance back on.
- Switch on the Super freeze function so that the appliance can cool down quickly. The indicator light will come on.
- Once the temperature in the freezer is sufficiently low, slide the glass cold plates back into the freezer, then replace the food in the freezer drawers and put them back in the freezer.
- When the temperature in the freezer is a constant -18°C or colder press the Super freeze button to switch the Super freeze function off. The indicator light will go out.

Cleaning and care

Make sure that water cannot get into the electronic unit or into the ventilation gaps.

Do not use steam cleaning apparatus to clean the appliance. Steam could reach electrical components and cause a short circuit.

The data plate located inside the appliance must not be removed. It contains information which is required in the event of a service call.

To avoid damaging the surface of your appliance, do not use:

- cleaning agents containing soda, ammonia, acids or chlorides,
- cleaning agents containing descaling agents,
- abrasive cleaning agents, e.g. powder cleaners and cream cleaners,
- solvent-based cleaning agents,
- stainless steel cleaning agents,
- dishwasher cleaner,
- oven sprays,
- glass cleaning agents,
- hard, abrasive sponges and brushes, e.g. pot scourers,
- melamine eraser blocks,
- sharp metal scrapers.

Before cleaning

- Switch the appliance off.
- Disconnect the appliance from the mains.
- Take any frozen food out of the appliance and store it in a cool place.
- Take out any removable parts, e.g. shelves, for cleaning.
- Defrost the freezer.

Cleaning the interior and accessories

- Use lukewarm water with a little washing-up liquid.

The ice cube tray (depending on model) is dishwasher safe.

The temperature of the dishwasher programme must not exceed 55 °C. Contact with some foodstuffs, such as carrots, tomatoes or ketchup can cause plastic items to discolour. However, this discolouration will not affect the stability of plastic items.

- Clean the drawers and glass cold plates by hand. They are not **suitable for cleaning in a dishwasher**.
- After cleaning, wipe the interior and accessories with a damp cloth and dry with a soft cloth. Leave the door open to air the appliance for a short while.

Ventilation gaps

- The ventilation gaps should be cleaned regularly with a brush or vacuum cleaner. A build-up of dust will increase the energy consumption of the appliance.

Door seal

Do not use any oils or grease on the door seal as these will cause the seal to deteriorate and become porous over time.

The door seal should be cleaned regularly with clean water, and then wiped dry with a soft cloth.

After cleaning

- Close the door.
- Reconnect to the mains and switch the appliance back on.
- Switch on the Super freeze function so that the freezer can cool down quickly.
The indicator light will come on.
- Once the temperature in the freezer is sufficiently low, place the food back in the freezer drawers and put them back in the freezer.
- Switch the Super freeze function off.
The indicator light will then go out.

Problem solving guide

Repairs to electrical appliances should only be carried out by a suitably qualified and competent person in strict accordance with current local and national safety regulations. Repairs and other work by unqualified persons could be dangerous. The manufacturer cannot be held liable for unauthorised work. Ensure that current is not supplied to the appliance until after maintenance or repair work has been carried out.

What to do if . . .

. . . the appliance does not get cool.

- Check whether the appliance has been switched on. The temperature display must be lit up.
- Check that the plug is correctly inserted in the socket and switched on.
- Check that the mains fuse has not tripped. If it has, there could be a fault with the freezer, the household electricity supply or another appliance. Contact a qualified electrician or the Miele Service department.

. . . the door will not open because it has been opened and closed too many times in succession.

This is not a fault. The suction caused by opening and closing the door is preventing the door from opening. Wait a few minutes and then try again. It should now open without force.

. . . the temperature is too low.

- Select a warmer temperature.
- The Super freeze function is still switched on. The Super freeze function switches itself off automatically after approx. 30 - 65 hours.

. . . the compressor is switching in too frequently and for too long.

- Check whether the ventilation gaps in the plinth and in the housing unit at the top have been covered over or become too dusty.
- The door has been opened too frequently, or a large amount of fresh food has been put in at once for freezing.
- Check that the door has been closed properly.
- Check to see whether a thick layer of ice has built up in the freezer. If it has, then the freezer will need defrosting.

... the compressor runs continuously.

To save energy, the compressor runs at a lower speed, but for longer, when less cooling is required.

... food has frozen together.

Use a blunt instrument, e.g. a spoon handle or plastic scraper, to prise it apart carefully.

..... there is a thick layer of ice in the freezer section.

- Check whether the door closes properly.
 - Defrost and then clean the freezer.
- Too thick a layer of ice reduces efficiency and increases energy consumption.

... the alarm sounds and the temperature display flashes.

- Has the appliance door been open for longer than 60 seconds?

If this is not the case, then the freezer temperature has risen above the temperature set because

- the door has been opened too frequently, or large amounts of fresh food have been put in at once for freezing,
- the ventilation gaps are blocked,
- there has been a lengthy interruption to the power supply.

Once the problem has been resolved the temperature display will light up constantly and the alarm will stop.

... a bar is lit up or flashing in the temperature display.

Check the temperature display about 6 hours after switching on the appliance. Only temperatures within the range the appliance can display will be shown. If the temperature is not within this range, a bar will be displayed instead.

... "F0" to "F9" show in the temperature display.

There is a fault. Call the Service Department.

... "nA" appears in the temperature display.

The temperature has risen too high at some point during the last couple of days because of a power cut.

- Press the alarm button whilst "nA" is lit up in the display.

The temperature display will show the warmest temperature recorded in the appliance during the power cut.

Depending on the temperature displayed, you should check the condition of food in the freezer. If it has defrosted or started to defrost, check that it is still safe to use and if so use it as soon as possible. Defrosted food may only be re-frozen after it has been cooked.

The warmest temperature will show in the display for about 1 minute. The actual current temperature in the freezer section will then show in the display again.

Problem solving guide

At the end of a power cut, the appliance will start operating again at the last temperature setting selected.

. . . the Super freeze indicator light does not light up, even though the appliance is working.

The indicator light is defective. Call the Service Department.

. . . you cannot switch the appliance off.

The safety lock has been activated.

If you still cannot remedy the fault having followed these suggestions, please contact the Miele Service Department.

To prevent unnecessary loss of temperature it is advisable not to open the door while waiting for the appliance to be serviced.

Normal noises	What causes them
Brrrrr...	Humming noise made by the motor (compressor). This noise can get louder for brief periods when the motor is switching on.
Blubb, blubb....	A gurgling noise can be heard when coolant is circulating through the pipes.
Click....	Clicking sounds are made when the thermostat switches the motor on and off.
Sssrrrrr....	On multi-zone and frost-free appliances you can sometimes just hear the movement of air circulating inside the appliance.
Creak ...	Creaking sounds can be heard when material inside the appliance expands.

Remember that the noise of the compressor and the coolant circulating in the system is unavoidable.

Noises that you can easily rectify	What causes them, and what can you do about them
Rattling, vibrating	The appliance is uneven: Realign the appliance using a spirit level, by raising or lowering the screw feet underneath the appliance.
	The appliance is touching another appliance or piece of furniture: Move it away.
	Drawers, baskets or shelves are unstable or sticking: Check all removable items and refit them correctly.
	Are any bottles or containers unstable or knocking against each other? Separate them.
	The transport cable clips are hanging loose at the back of the appliance: Remove the clips.

After Sales / Guarantee

In the event of a fault which you cannot correct yourself, or if the appliance is under guarantee, please contact:

– your Miele Dealer

or

– Miele
(see back cover for contact details).

When contacting your Dealer or Miele, please quote the model and serial number of your appliance. This information is given on the data plate inside your appliance.

Please note that telephone calls may be monitored and recorded for training purposes.

N.B. A call-out charge will be applied for service visits where the problem could have been resolved as described in these instructions.

Guarantee

For information on the appliance guarantee specific to your country please contact Miele. See back cover for contact details.

In the U.K. your appliance is guaranteed for 2 years from the date of purchase. However, you must activate your cover by calling 0845 365 6640 or registering online at www.miele.co.uk.

Electrical connection U.K.

All electrical work should be carried out by a suitably qualified and competent person in strict accordance with current local and national safety regulations (BS 7671 in the UK).

The appliance is supplied with a mains cable and moulded plug ready for connection to an a.c. single phase 220-240 V 50 Hz supply.

Please ensure that the connection data quoted on the data plate match the household mains supply.

Connection should be made via a suitable switched socket which is easily accessible. For extra safety it is advisable to protect the appliance with a suitable residual current device (RCD).

Do not connect the appliance to the mains electricity supply by an extension lead. Extension leads do not guarantee the required safety of the appliance (e.g. danger of overheating).

This appliance must not be connected to the inverter of an autonomous power supply, e.g. a solar power system. When switching the appliance on, a surge in power could trigger the safety cut-out mechanism. This could damage the electronic unit.

The appliance must not be used with so-called energy saving devices. These reduce the energy supply to the appliance which could then become too warm. Using such devices could alter the specification of the product.

Non-rewireable plugs (BS 1363)

The fuse cover must be re-fitted when changing the fuse, and if the fuse cover is lost, the plug must not be used until a suitable replacement is obtained. The colour of the correct replacement cover is that of the coloured insert in the base of the plug, or the colour that is embossed in words in the base of the plug (as applicable to the design of the plug fitted).

Replacement fuses should be ASTA approved to BS 1362 and have the correct rating. Replacement fuses and fuse covers may be purchased from your local electrical supplier.

WARNING **THIS APPLIANCE MUST BE** **EARTHED**

Installation

This appliance must be built in, otherwise it could tip up.

Location

This appliance should be installed in a dry, well-ventilated room. It should not be installed where it is exposed to direct sunlight or directly adjacent to a heat-producing appliance such as an oven or a radiator. The room temperature should not go above or below the climate range for which the appliance is designed. The higher the ambient temperature of the room, the more energy the appliance requires to operate.

Important: tropical / humid environments

During periods of high humidity, some condensation may appear on outside surfaces of cooling appliances. This condensation will disappear when humidity levels drop. For prevention, it is advisable to install the appliance with sufficient ventilation in a dry and/or an air-conditioned room.

Please ensure that doors are closing and sealing properly.

Please ensure that the appliance is installed in accordance with these installation instructions and that the handle is fitted correctly. Should you require further assistance please contact your Miele customer service centre.

Climate range

This appliance is designed for use within certain climate ranges (ambient temperatures), and should not be used outside this range. The climate range of the appliance is stated on the data plate inside the appliance.

Climate range	Ambient room temperature
SN	+10 °C to +32 °C
N	+16 °C to +32 °C
ST	+16 °C to +38 °C
T	+16 °C to +43 °C

Operating in a room which is too cold will cause the cooling system to switch off for too long, causing the internal temperature in the appliance to rise with the risk of food deteriorating and going off.

Ventilation

Air at the back of the appliance gets warm. The appliance housing unit must be constructed to allow sufficient space for ventilation.

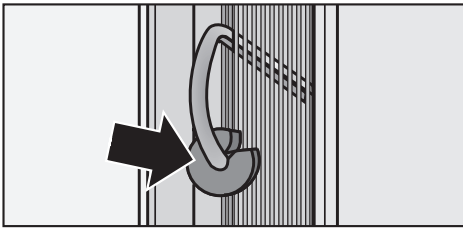
Air is taken in through the plinth of the furniture housing unit.

A ventilation gap of at least 38 mm depth must be provided behind the appliance for air to circulate. The cross-sectional area of the ventilation gaps and also the cross-sectional area beneath the ceiling needs to be at least 200 cm² to ensure that warm air can be drawn through without hindrance. Otherwise the appliance has to work harder, resulting in an increase in electricity consumption.

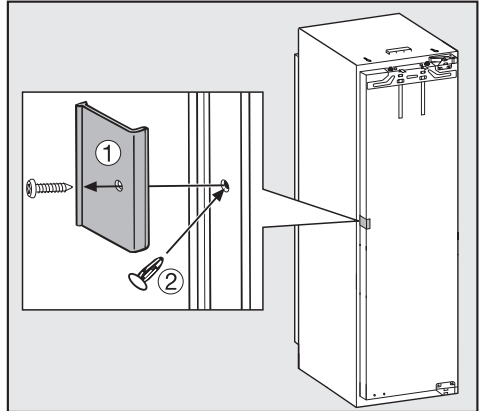
The ventilation gaps must not be covered or blocked in any way. They should be dusted on a regular basis.

Before installing the appliance

- Before installation remove the cover strip, sealing strip and other accessories from inside the appliance and from the external rear wall of the appliance.



- Do not remove the spacers from the back of the appliance. These ensure the gap required between the back of the appliance and the wall is maintained.
- Remove any cable clips from the back of the appliance.



- Remove the red transport fixing ①, and use the stopper supplied ② to plug the empty hole.
- Check that all parts at the back of the appliance are unhindered. Carefully remove any hindrance.

Does your old appliance have a different hinging mechanism?

If your old appliance had a different type of hinging, the furniture door can still be used. Remove the old hinges from the housing unit. They are no longer required because the furniture door is now fitted to the appliance door. All the necessary parts are supplied or can be ordered from the Miele Spare Parts Department.

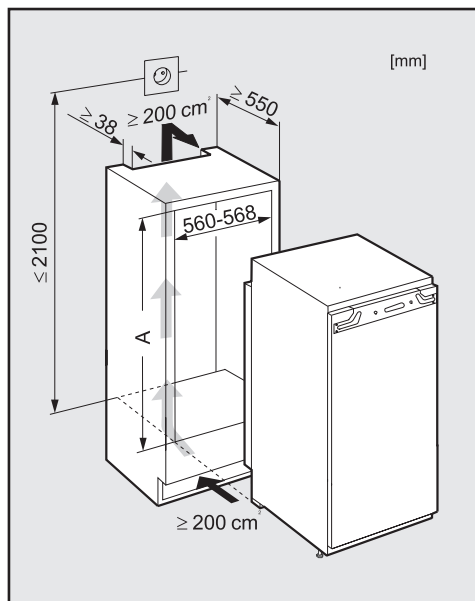
Stainless steel front

(depending on model)

The old door can be replaced by a stainless steel front if required.

Miele can advise you on availability.

Building-in dimensions



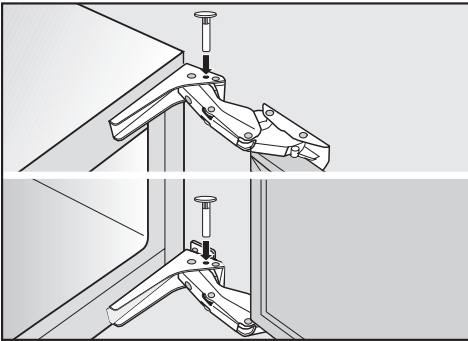
	Niche height [mm]
	A
F 9052 i (-1)	714 - 730
F 9252 i (-1)	874 - 890
F 9552 i (-1)	1397 - 1413

Adjusting the door hinges

The door hinges are set ex-works to enable the doors to be opened wide.

However, if the opening angle of the door needs to be limited for any reason, the hinges can be adjusted to accommodate this.

For example, if the appliance door hits an adjacent wall when opened, the opening angle can be limited to 90°.



- Place the locking pins supplied for limiting the door opening into the hinges from above.

The door opening angle is now limited to 90°.

Changing the door hinging

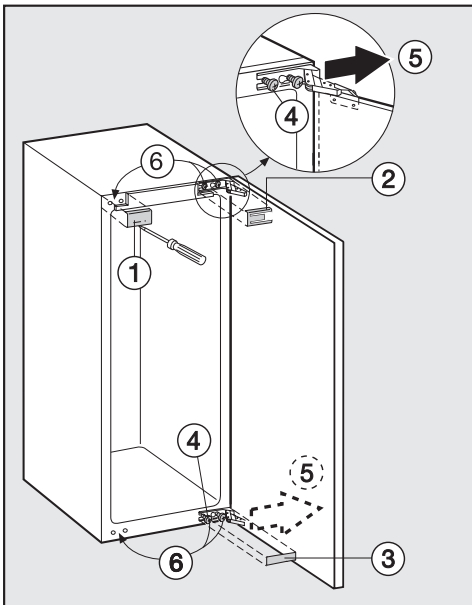
Before building the appliance in, you will need to decide on which side the door is to be hinged. If left hand door hinging is required, follow the instructions below.

To change the door hinging you will need the following tools:

- a cross-slotted screwdriver,
- a screwdriver,
- a selection of Torx screwdrivers,
- a spanner.

Appliance door

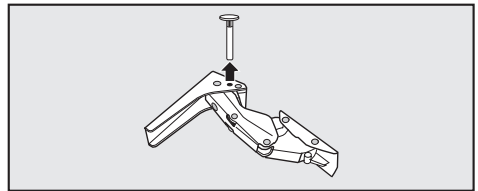
- Open the appliance door.



- Remove covers ①, ② and ③ with a screwdriver.
- Loosen fixing screws ④ at the top and the bottom slightly.

- Slide the door outwards and lift it off ⑤.
- Unscrew the fixing screws ④ completely, and loosely screw them in at the top and bottom on the opposite side of the appliance ⑥.

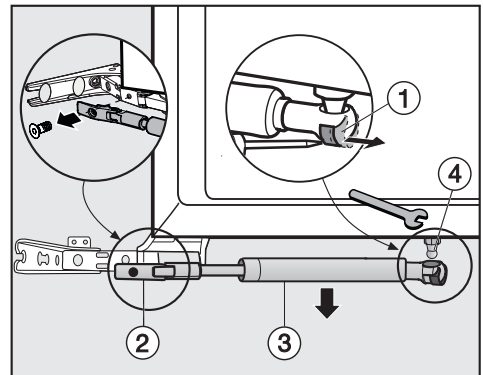
If you have put locking pins into the hinges to stop the door opening too far:



- Remove the locking pins from the top of the hinges.

To remove the soft-close mechanism

- Place the door with the outer side downwards on a stable surface.

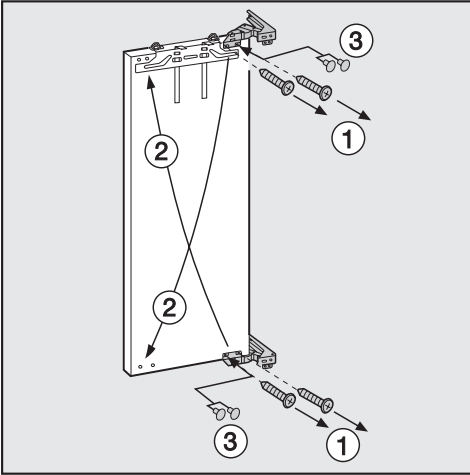


- Using a screwdriver, carefully push tension spring ① outwards.

Warning. The soft-close mechanism snaps shut when dismantled.
Danger of injury.

Changing the door hinging

- Unscrew mounting ② and pull soft-close mechanism ③ downwards to remove it.
- Undo ball joint ④ using a spanner and remove it.



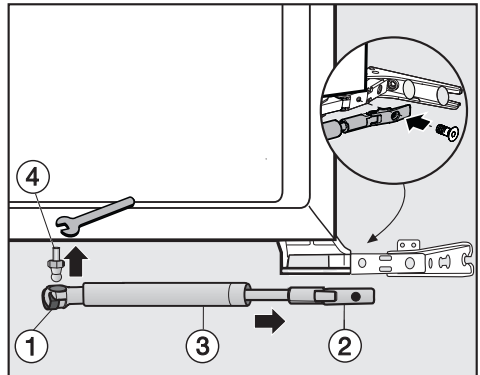
- Stand the appliance door up, and loosen the hinges at the front (the hinges remain open).
- Remove screws ①, and use the stoppers supplied ③ to plug the empty holes.

Do not close up the hinges. Danger of injury.

- Replace the hinges in their diagonally opposite corners ②.
- Use a powered screwdriver to secure the hinges; screws ① are self-tapping.

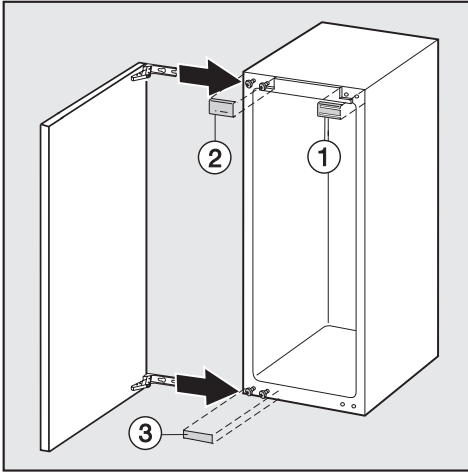
To secure the soft-close mechanism

- Place the door with the outer side downwards on a stable surface.
- Screw ball joint ④ of soft-close mechanism ③ into the new fixing holes.
- Push tension spring ① inwards again.

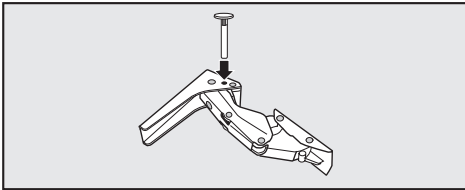


- Screw mounting ② onto the hinge and tighten securely.
- Open out soft-close mechanism ③ and hook it onto ball joint ④.

Changing the door hinging



- Push the appliance door onto the pre-fitted screws, and then tighten the screws.
- Replace covers ①, ② and ③.



- Replace the locking pins into the top of the hinges to prevent the doors opening too far.

Building in the appliance

All fitting instructions given are for a **right hand hinged** appliance. If you have converted the appliance to left hand hinging you will need to adapt these instructions accordingly.

To install the appliance you will need the following:

- a cross-slotted screwdriver,
- a selection of Torx screwdrivers,
- a hexagon spanner.

Weight of the furniture door

Before fitting a furniture door, ensure that the weight of the door does not exceed the maximum permitted:

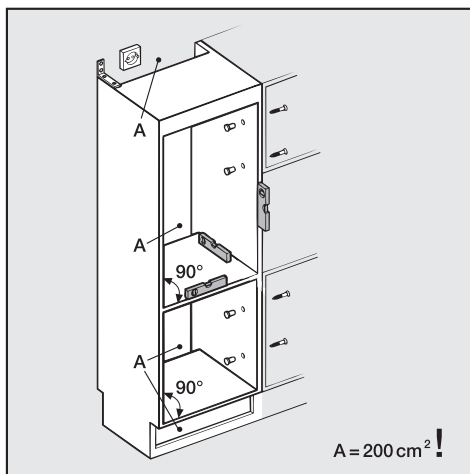
Appliance	Maximum weight of furniture door in kg
F 9052 i (-1)	20
F 9252 i (-1)	20
F 9552 i (-1)	20

Fitting a door which is heavier than the maximum permitted could damage the hinges.

Building into a peninsular run

When built into a peninsular run, the rear of the building-in niche must be fitted with a kitchen furniture panel.

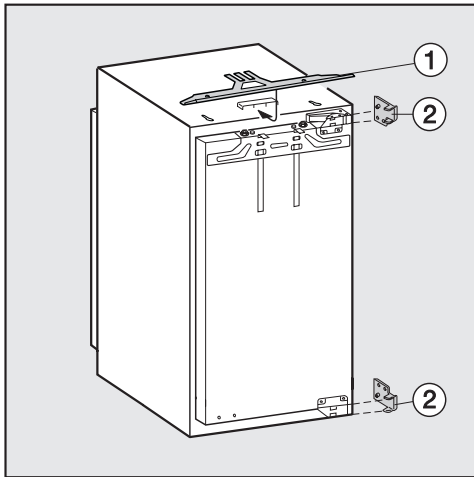
Aligning the housing unit



The housing unit must be carefully aligned using a spirit level before installing the appliance. The unit corners must be at right angles, as otherwise the furniture door will not align correctly with the 4 corners of the appliance.

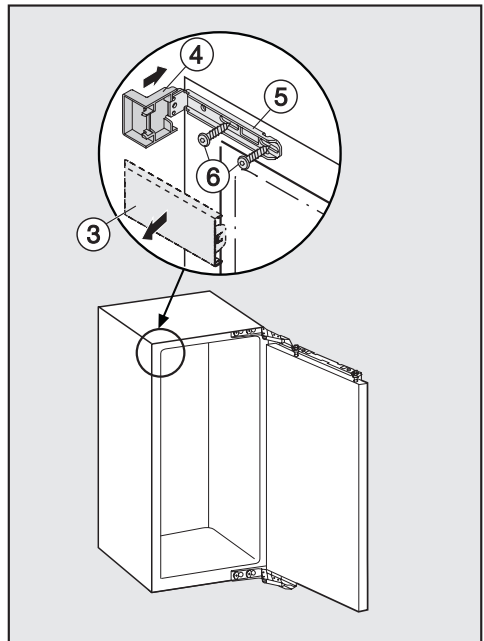
Building in the appliance

Preparing the appliance

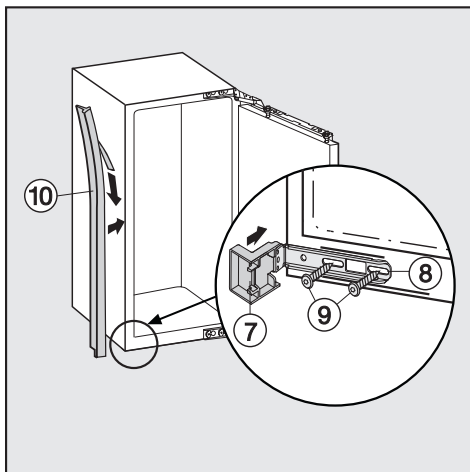


- Slide cover strip ① into the holder in the middle of the appliance as illustrated with the bumps facing downwards. The bumps will fit into the keyhole slots.
- Position the mains electricity cable so that the appliance can be connected easily once installed.
- Push the appliance two-thirds of the way into its niche. When doing this, make sure that the mains cable does not get trapped.
- **With 16 mm thick furniture walls:** clip spacers ② over the hinges.

- Open the appliance door.

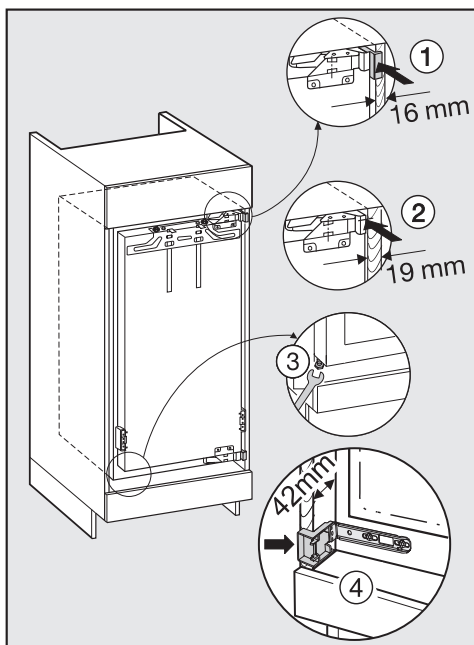


- Using a screwdriver, remove cover ③ from the top corner of the appliance.
- Fit cover ④ onto fixing bracket ⑤.
- Secure fixing bracket ⑤ to the top of the appliance with screws ⑥ (M5 x 15).



- Fit cover ⑦ onto fixing bracket ⑧.
- Secure fixing bracket ⑧ to the bottom of the appliance with screws ⑨ (M5 x 15).
- Carefully remove the protective foil from sealing strip ⑩.
- Apply the sealing strip to the side of the appliance on which the door is opened so that it is flush with the front edge of the appliance. Fit the sealing strip so that it meets up with the lower edge of top cover ④ and then cut the sealing strip 2 - 3 mm above bottom fixing bracket ⑧.
- Push the appliance into the niche until covers ④ and ⑦ touch the front edge of the side walls of the housing unit.

Building in the appliance



- **With 16 mm thick walls:**
The spacers should touch the front edge at the top and bottom of the side walls of the housing unit, detail ①.
- **With 19 mm thick walls:**
The front edges of the top and bottom hinges sit flush with the front edge of the housing unit side walls, detail ②.
- Make sure that the covers on the top and bottom fixing brackets sit flush with the front edges of the housing unit side walls, detail ④.

This will create a gap all round of **42 mm** to the front edges of the housing unit side walls.

Building in the appliance

On furniture with door fittings (e.g. stubs, seals etc) the dimension of these must be taken into account when making sure there is a gap all round of **42 mm**.

- Pull the appliance forwards by the dimension of the door fitting to keep the gap at 42 mm all round.

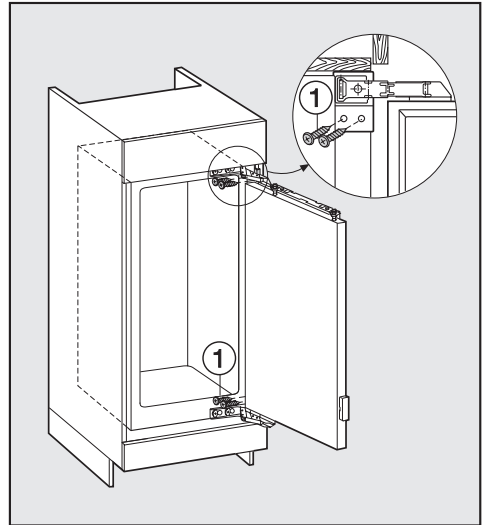
The hinges and the covers will now protrude by the dimension of the door fitting.

Tip: Removing the door fittings. This will ensure that the door is flush with the surrounding kitchen unit furniture doors.

If the all round gap of 42 mm is not maintained between the appliance casing and the front edge of the housing unit side wall the door may not shut properly. This could lead to a build-up of ice and condensation and also cause operational faults.

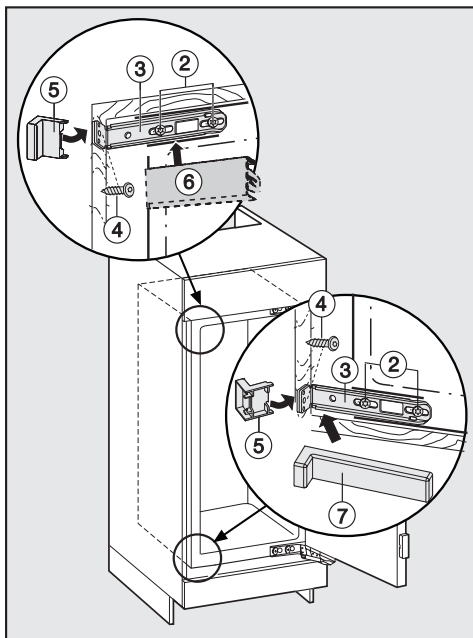
- Align the appliance height on both sides by altering the adjustable feet using the spanner supplied ③.

Securing the appliance in the niche



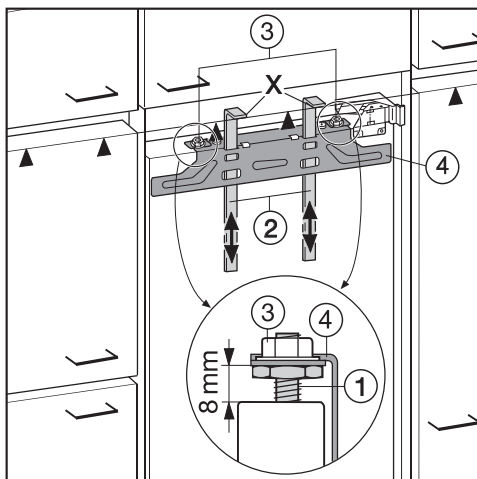
- Press the appliance against the housing unit wall on the hinge side.
- To fix the appliance to the housing unit at the top and bottom, screw the long 4 x 20 mm chip board screws ① into the hinges at the top and bottom.

Building in the appliance



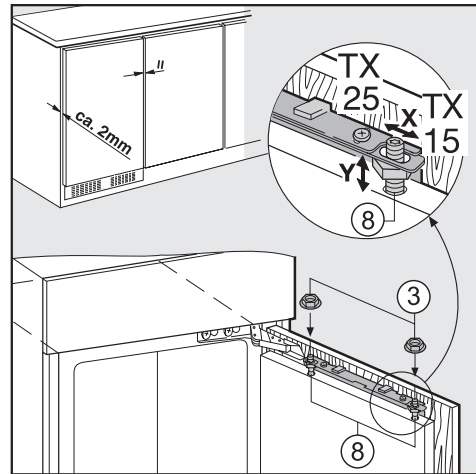
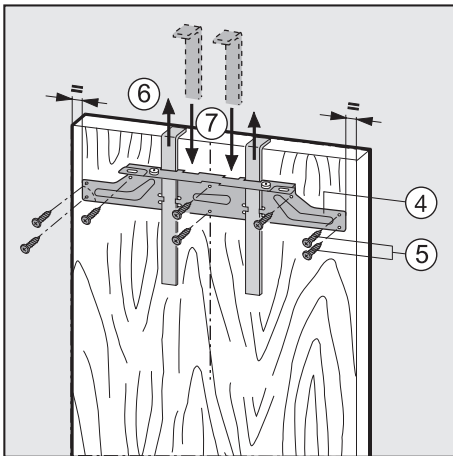
- Break off the protruding end of bottom cover (5). It is no longer required.
- Fit angled cover (7) onto bottom fixing bracket (3).
- Close the appliance door.

Fitting a furniture door



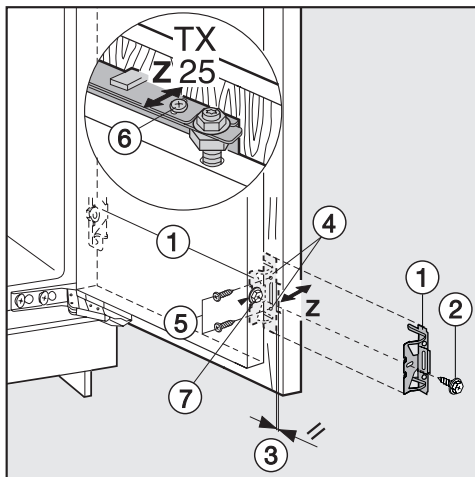
- Loosen screws (2) on the top and bottom fixing brackets (3).
- Press fixing bracket (3) against the side wall and tighten screws (2).
- Attach fixing bracket (3) to the housing unit side wall with screws (4). Drill holes in the housing unit side walls if necessary.
- Break off the protruding end of top cover (5), turn the cover around and fit it on top fixing bracket (3).
- Fit oblong cover (6) onto top fixing bracket (3).
- A gap of 8 mm (1) must be set between the appliance door and the central fixing bracket.
- Push fitting aids (2) up to the height of the furniture door: the lower edge X of the fitting aids must be at the same height as the upper edge of the furniture door being fitted (see ▲ on the diagram).
- Undo nuts (3) and take fixing bracket (4) off together with the fitting aids.

Building in the appliance



- Using a pencil, lightly mark a line down the centre of the inside of the furniture door.
- Hang fixing bracket ④ with the fitting aids onto the **inside** of the furniture door. Align the fixing bracket centrally.
- Attach the fixing bracket securely using at least 6 short chipboard screws ⑤ (4 x 14 mm). (On cassette doors only use 4 screws on the edges).
- Pull the fitting aids upwards to remove them ⑥.
- Turn them around and fit them into the middle slots on fixing bracket ⑦ for safe keeping.
- Hang the furniture door onto adjusting bolts ⑧.
- Loosely attach nuts ③ on the adjusting bolts.
- Close the door and check the distance between the door and neighbouring furniture doors.
- Align to match neighbouring doors if necessary:
Side adjustments X are made by sliding the furniture door, and height adjustments Y by turning adjusting bolts ⑧ with a screwdriver.
- Tighten nuts ③.

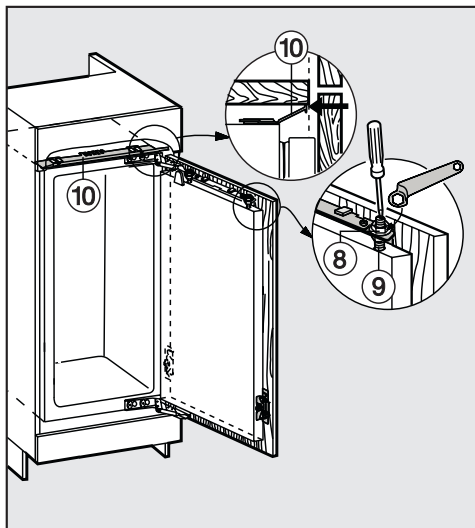
Securing the appliance door to the furniture door:



- Screw fixing bracket ① into the pre-drilled holes in the appliance door using hexagonal screw ②. Make sure the two metal edges ③ are aligned (Symbol //).
- Drill fixing holes ④ in the furniture door, and screw in 4 x 14 mm screws ⑤.

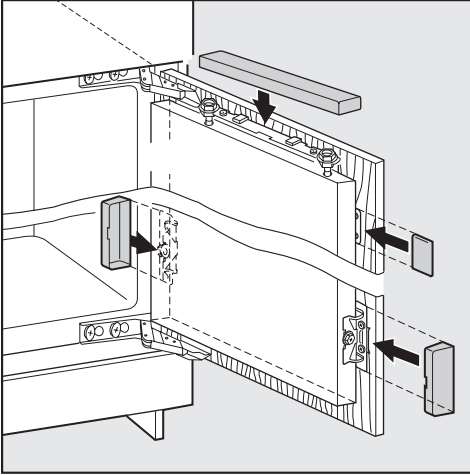
(On large or divided doors, attach a second pair of fixing brackets ① in the handle region of the door. Use the pre-drilled holes in the appliance door.)

- Align depth Z on the furniture door: Loosen screws ⑥ at the top of the appliance door, and loosen the hexagon-headed screw ⑦ at the bottom of the fixing bracket. By moving the furniture doors, create a gap of 2 mm between the furniture doors and the front edge of the niche.



- Close the door and align it with neighbouring furniture doors.
- Whilst counterholding the adjusting bolts ⑨ with a screwdriver, tighten nuts ⑧ on the appliance door.
- Cover strip ⑩ must be completely hidden in the niche, and must not protrude.
- Tighten all screws again.

Building in the appliance



- Replace all the covers.

To make sure the appliance is correctly fitted:

- The door must close properly.
- The door must not touch the furniture carcass.
- The seal at the top edge of the handle side must fit properly.

To double check place a torch in the appliance and close the doors. Turn the lights out in the room. If you can see any light shining out from the sides double check the installation.

United Kingdom

Miele Co. Ltd.
Fairacres, Marcham Road
Abingdon, Oxon, OX14 1TW
Tel: 0845 365 0555
Fax: 0845 365 0777
Customer Contact Centre Tel: 0845 365 6600
E-mail: info@miele.co.uk
Internet: www.miele.co.uk

Australia

Miele Australia Pty. Ltd.
ABN 96 005 635 398
1 Gilbert Park Drive, Knoxfield, VIC 3180
Tel: 1300 464 353, Fax: (03) 9764 7149
Internet: www.miele.com.au

China

Miele (Shanghai) Trading Ltd.
1-3 Floor, No. 82 Shi Men Yi Road
Jing' an District
200040 Shanghai, PRC
Tel: +86 21 6157 3500
Fax: +86 21 6157 3511
E-mail: miele Shanghai@cn.miele.com
Internet: www.miele.cn

Miele (Hong Kong) Limited

41/F - 4101, Manhattan Place
23 Wang Tai Road
Kowloon Bay
Hong Kong
Tel: (852) 2610 1331
Fax: (852) 2610 1013
Email: mielehk@miele.com.hk

India

Miele India Pvt. Ltd.
Ground Floor, Copia Corporate Suites
Plot No. 9, Jasola
New Delhi - 110025
Tel: 011-46 900 000, Fax: 011-46 900 001
E-mail: customercare@miele.in
Internet: www.miele.in

Manufacturer: Germany - Miele & Cie. KG
Carl-Miele-Straße 29, 33332 Gütersloh



Ireland

Miele Ireland Ltd.
2024 Bianconi Avenue
Citywest Business Campus, Dublin 24
Tel: (01) 461 07 10, Fax: (01) 461 07 97
E-Mail: info@miele.ie, Internet: www.miele.ie

New Zealand

Miele New Zealand Limited
Unit L, 10-20 Sylvia Park Road
Mt. Wellington, 1060, Auckland, NZ
Tel: 0800 264 353, Fax: 0800 463 453
Internet: www.miele.co.nz

Singapore

Miele Southeast Asia
Miele Pte. Ltd.
163 Penang Road
04 - 02/03 Winsland House II
Singapore 238463
Tel: +65 6735 1191, Fax: +65 6735 1161
E-Mail: infosea@miele.com.sg
Internet: www.miele.sg

South Africa

Miele (Pty) Ltd
63 Peter Place, Bryanston 2194
P.O. Box 69434, Bryanston 2021
Tel: +27 (0) 11 548-1900
Fax: +27 (0) 11 548-1935
E-mail: info@miele.co.za
Internet: www.miele.co.za

United Arab Emirates

Miele Appliances Ltd.
P.O. Box 11 47 82
Gold & Diamond Park
Sheikh Zayed Road
Building 6 / Offices Nos. 6-214 to 6-220
Dubai
Tel: +971-4-341 84 44
Fax: +971-4-341 88 52
E-Mail: info@miele.ae
Internet: www.miele.ae

Alteration rights reserved / 4911

M.-Nr. 09 290 540 / 00

F 9052 i (-1), F 9252 i (-1), F 9552 i (-1)



Free Manuals Download Website

<http://myh66.com>

<http://usermanuals.us>

<http://www.somanuals.com>

<http://www.4manuals.cc>

<http://www.manual-lib.com>

<http://www.404manual.com>

<http://www.luxmanual.com>

<http://aubethermostatmanual.com>

Golf course search by state

<http://golfingnear.com>

Email search by domain

<http://emailbydomain.com>

Auto manuals search

<http://auto.somanuals.com>

TV manuals search

<http://tv.somanuals.com>