

Miele

Operating and installation instructions



Refrigerator with Dynamic cooling K 12421 SD

To avoid the risk of accidents or damage to the appliance, it is **essential** to read these instructions before it is installed and used for the first time.

en - GB

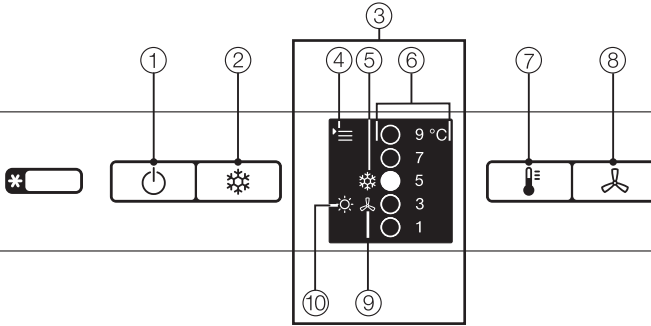
M.-Nr. 09 290 820

Contents

Guide to the appliance	4
Caring for the environment	6
Warning and Safety instructions	7
How to save energy	12
Switching on and off	13
Switching on	13
Switching off	13
Switching off for longer periods of time	13
Customising settings	14
Settings mode '≡'	14
Altering the brightness of the display	14
The correct temperature	15
... in the refrigerator	15
Setting the temperature	15
Temperature display	16
Super cool and Dynamic cooling	17
Super cool	17
Dynamic cooling	17
Using the refrigerator efficiently	19
Different storage zones	19
Food which is not suitable for storing in the refrigerator	20
When shopping for food	20
Storing food correctly	20
Fruit and vegetables	20
Unpacked meat and vegetables	21
Protein rich foods	21
Meat	21
Adjusting the interior fittings	22
Moving the shelves	22
Split shelf	22
Adjusting the door shelf/bottle shelf	22
Automatic defrost	23

Cleaning and care	24
Cleaning the interior and accessories	24
Appliance door, side panels	25
Ventilation gaps	26
Door seal	26
Metal grille at the back of the appliance	26
Problem solving guide	27
Noises	31
After Sales / Guarantee	32
Information for dealers	33
Demo mode ■	33
Electrical connection	34
Installation	35
Location	35
Climate range	35
Ventilation	36
Installation	36
Aligning the appliance	36
Appliance dimensions	37
Changing the door hinging	38
Aligning the appliance door	43
Building in the appliance	44

Guide to the appliance



① On/Off button

② Super cool button

③ Display

If the appliance is not operated for some time, the display will revert automatically to the brightness level which has been set.

As soon as a button is pressed the display will light up at the brightest setting.

④ Menu symbol

(Setting mode for the brightness level of the display)

⑤ Super cool symbol

⑥ Temperature display

⑦ Temperature selector button

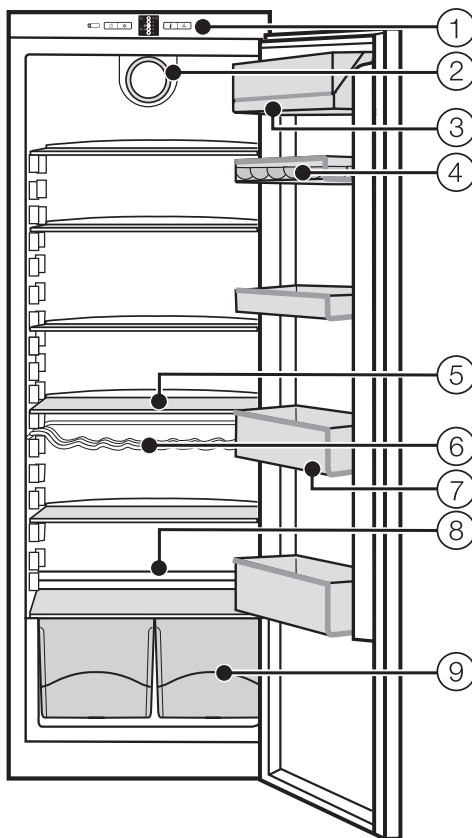
⑧ Dynamic cooling button

⑨ Dynamic cooling symbol

⑩ Brightness symbol

Guide to the appliance

- ① Control panel
- ② Dynamic cooling fan
- ③ Butter and cheese compartment
- ④ Egg tray
- ⑤ Adjustable shelves
- ⑥ Bottle rack
- ⑦ Bottle shelf
- ⑧ Condensate channel and drain hole
- ⑨ Fruit and vegetable containers



Caring for the environment

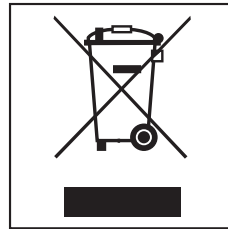
Disposal of the packing material

The transport and protective packing has been selected from materials which are environmentally friendly for disposal, and should be recycled.

Ensure that any plastic wrappings, bags etc. are disposed of safely and kept out of the reach of babies and young children. Danger of suffocation!

Disposal of your old appliance

Electrical and electronic appliances often contain materials which, if handled or disposed of incorrectly, could be potentially hazardous to human health and to the environment. They are, however, essential for the correct functioning of your appliance. Please do not therefore dispose of it with your household waste.



Please dispose of it at your local community waste collection / recycling centre or contact your dealer for advice. Ensure that it presents no danger to children while being stored for disposal.

Take care not to damage the pipework at the back of it before or during transportation to an authorised collection depot.

In this way, refrigerant in the pipework and oil in the compressor will be contained, and will not leak out into the environment.

Warning and Safety instructions

This appliance complies with all relevant safety requirements. Improper use can, however, present a risk of both personal injury and material damage.

To avoid the risk of accidents and damage to the appliance, please read these instructions carefully before installation and before using it for the first time. They contain important notes on installation, safety, operation and maintenance.

Keep these instructions in a safe place and pass them on to any future user.

Correct application

► This appliance is not designed for commercial use. It is intended for use in domestic households and in similar working and residential environments such as:

- Shops
- Offices and showrooms

and by residents in establishments such as:

- Hostels and guest houses.

The appliance is not intended for outdoor use.

It must only be used as a domestic appliance to cool and store foodstuffs.

Any other usage is not supported by the manufacturer and could be dangerous. Miele cannot be held liable for damage resulting from incorrect or improper use or operation of the appliance.

► The appliance can only be used by people with reduced physical, sensory or mental capabilities, or lack of experience and knowledge, if they are supervised whilst using it, or have been shown how to use it in a safe way and understand the hazards involved.

Safety with children

► Children 8 years and older may use the appliance only if they have been shown how to use it in a safe way and understand the hazards involved.

► Children under 8 years of age must be kept away from the appliance unless they are constantly supervised.

► This appliance is not a toy! Do not allow children to play with it or near it, or to play with the controls. Do not let them swing on the door.

Warning and Safety instructions

Technical safety

▶ Before setting up the appliance, check it for any externally visible damage. Do not install and use a damaged appliance. It could be dangerous.

▶ If the connection cable is faulty it must only be replaced by a service technician authorised by the manufacturer to protect the user from danger.

▶ This appliance contains the coolant Isobutane (R600a), a natural gas which is environmentally friendly. Although it is flammable, it does not damage the ozone layer and does not increase the greenhouse effect. The use of this coolant has, however, led to a slight increase in the noise level of the appliance. In addition to the noise of the compressor, you might be able to hear the coolant flowing around the system. This is unavoidable, but does not have any adverse effect on the performance of the appliance. Care must be taken during transportation and setting up of the appliance that no parts of the cooling system are damaged. Leaking coolant can damage the eyes.

In the event of any damage:

- avoid open flames and anything which creates a spark,
- disconnect from the mains,
- air the room in which the appliance is located for several minutes and
- contact the Service Department for advice.

▶ The more coolant there is in an appliance, the larger the room it should be installed in. In the event of a leakage, if the appliance is in a small room, there is the danger of combustible gases building up. For every 8 g of coolant at least 1 m³ of room space is required. The amount of coolant in the appliance is stated on the data plate inside the appliance.

▶ Safe operation of the appliance is only assured if it has been installed and connected in accordance with these operating and installation instructions.

▶ Before connecting the appliance, check that the connection data on the data plate (voltage and connected load) match the mains electricity supply. This data must correspond in order to avoid the risk of damage to the appliance. Consult a qualified electrician if in any doubt.

▶ Do not connect the appliance to the mains electricity supply by a multi-socket adapter or an extension lead. These do not guarantee the required safety of the appliance (e.g. danger of overheating).

Warning and Safety instructions

- ▶ The electrical safety of this appliance can only be guaranteed if correctly earthed. It is most important that this basic safety requirement is observed and regularly tested and where there is any doubt, the household wiring system should be inspected by a qualified electrician. The manufacturer cannot be held liable for damage or injury caused by the lack of or inadequacy of an effective earthing system (e.g. electric shock).
- ▶ Installation, maintenance and repairs may only be carried out by a suitably qualified and competent person in strict accordance with current national and local safety regulations. Repairs and other work by unqualified persons could be dangerous. The manufacturer cannot be held liable for unauthorised work.
- ▶ While the appliance is under guarantee, repairs should only be undertaken by a service technician authorised by the manufacturer. Otherwise the guarantee will be invalidated.
- ▶ The appliance must be isolated from the electricity supply during installation, maintenance and repair work.
- ▶ Faulty components must only be replaced by genuine Miele original spare parts. The manufacturer can only guarantee the safety of the appliance when Miele replacement parts are used.
- ▶ This appliance must not be used in a non-stationary location (e.g. on a ship).
- ▶ In areas which may be subject to infestation by cockroaches or other vermin, pay particular attention to keeping the appliance in a clean condition at all times. Any damage which may be caused by cockroaches or other vermin will not be covered by the guarantee.

Warning and Safety instructions

Correct use

▶ Do not store explosive materials in the appliance or any products containing propellants (e.g. spray cans). Thermostats switching on may produce sparks which could present a fire hazard. Flammable compounds could explode.

▶ Do not operate any electrical equipment (e.g. an electric ice-cream maker) inside the appliance. Danger of sparking and explosion.

▶ If storing alcohol with a high percentage proof in the refrigerator, make sure the bottle is tightly closed and stored upright. Danger of explosion.

▶ Observe the "use by" dates given on food to avoid the risk of food poisoning. Storage times will depend on several factors, including the freshness and quality of the food as well as the temperature at which it is stored. Follow the instructions given on food manufacturer's packaging on storage conditions required, as well as the "use by" date.

▶ Do not use sharp edged objects to

- remove frost and ice,
- separate food which has become frozen.

They will damage the evaporator, causing irreversible damage to the appliance.

▶ Do not use defrosting sprays or de-icers, as they might contain substances which could damage the plastic parts or which could cause a

build-up of gases and pose a danger to health.

▶ Do not use a steam-cleaning appliance to clean this appliance. Steam could reach the electrical components and cause a short circuit.

▶ Do not use any oils or grease on the door seals, as these will cause the seals to deteriorate and become porous with time.

▶ If storing food which contains a lot of fat or oil, make sure that it does not come into contact with plastic components as this could cause stress cracks.

▶ Do not block the ventilation gaps in the appliance as this would impair the efficiency of the appliance, increase the electricity consumption and could cause damage to the appliance.

▶ The appliance is designed for use within certain climate ranges (ambient temperatures), and should not be used outside this range. The climate range for your appliance is stated on the data plate inside the appliance. Installing it in a room with too low an ambient temperature, e.g. a garage, will lead to the appliance switching off for longer periods so that it cannot maintain the required temperature.

Disposal of your old appliance

▶ Before disposing of an old appliance, first make the door latch or lock unusable.

This way you will prevent children from accidentally locking themselves in and endangering their lives.

▶ Be careful not to damage any part of the pipework whilst awaiting disposal, e.g. by

- puncturing the refrigerant channels in the evaporator.
- bending any pipework.
- scratching the surface coating.

Splashes of refrigerant can damage the eyes.

The manufacturer cannot be held liable for damage caused by non-compliance with these Warning and Safety instructions.

How to save energy

	Normal energy consumption	Increased energy consumption
Installation site	In a ventilated room.	In an enclosed, unventilated room.
	Protected from direct sunlight.	In direct sunlight.
	Not near to a heat source (radiator, oven).	Near to a heat source (radiator, oven).
	Where the ideal ambient room temperature is approx. 20°C.	Where there is a high ambient room temperature.
	Do not cover the ventilation gaps and dust them regularly.	
Temperature setting with a thermostat which is approximate (set in stages).	With a medium setting of 2 to 3.	With a high setting: the lower the temperature in the compartment, the higher the energy consumption.
Temperature setting with a thermostat which is exact to the degree (digital display).	Larder section 8 to 12 °C	On appliances with winter setting, please make sure that the winter setting is switched off when the ambient temperature is warmer than 16 °C .
	Refrigerator section 4 to 5 °C	
	PerfectFresh zone just above 0 °C	
	Freezer section -18 °C	
	Wine storage section 10 to 12 °C	
Use	Drawers, shelves and racks arranged as they were when the appliance was delivered.	
	Only open the door when necessary and for as short a time as possible.	Frequent opening of the door for long periods will cause a loss of coldness.
	Store food in an organised way.	Searching for an item will mean the door is open for longer.
	Allow hot food and drinks to cool down before placing them in the appliance.	Hot food will cause the compressor to run for a long time, as the appliance will have to work harder to reduce the temperature.
	Store food covered or packaged.	The evaporation or condensation of liquids will cause a loss of coldness in the refrigerator.
	Place frozen food in the refrigerator to defrost.	
	Do not over-fill the appliance to allow air to circulate.	
Defrosting	Defrost the freezer section when a layer of ice 0.5 cm thick (maximum) has built up.	A layer of ice hinders the cold from reaching the frozen food, and increases energy consumption.

Before using for the first time

Protective foil

The stainless steel trim in the interior has a layer of protective foil to prevent damage during transportation. On stainless steel appliances, there will also be protective foil on the stainless steel door and on some appliances on the side panels as well.

- Do not remove the foil until the appliance has been positioned in its final location.

Cleaning

- Clean the inside of the appliance and the accessories with lukewarm water and a little washing-up liquid, and then dry with a soft cloth.

Switching on



- Press the On/Off button.

The appliance will start to cool and the temperature required will appear in the temperature display. The interior lighting will come on when the door is opened.

Switching off



- Press the On/Off button until the display goes out.

The cooling system is switched off.

Switching off for longer periods of time


If the appliance is not going to be used for a longer period of time, e.g. whilst on holiday:


- switch the appliance off,
- disconnect it from the mains,
- clean the appliance out and
- leave the door ajar to air it.

If, during a long absence, the appliance is switched off but not cleaned out and the door is left shut, there is a danger of mould and odours building up inside the appliance.

Customising settings

Settings mode

You can alter the brightness of the display  in Settings mode.

Settings mode is represented in the display by the Menu symbol . The following section describes how to access Settings mode and alter settings.

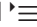

Altering the brightness of the display

The display brightness can be adjusted to suit the lighting conditions of the room.

There are five different display brightness settings. The factory default setting is 1.




- Press the Super cool button for approx. five seconds.

The Menu symbol  will light up, settings mode is now activated. The Brightness symbol  will start flashing.



- Press the Super cool button briefly to confirm this.

The Brightness symbol  will light up.




- Press the Temperature button repeatedly until the brightness level required is reached.

The more areas of the temperature display which light up, the brighter the display.

To confirm the altered setting:



- Press the Super cool button briefly.

The Brightness symbol  will flash. The newly selected setting has been saved.

To come out of Settings mode:



- Press the On/Off button.

or

- Wait for 5 minutes.

The Menu and Brightness symbols will go out.

The temperature display will show the required temperature.

The correct temperature

It is very important to set the correct temperature for storing food in the appliance. Micro-organisms will cause food which is not stored at the correct temperature to deteriorate rapidly. Temperature influences the growth rate of these micro-organisms. Reducing the temperature reduces their growth rate.

The temperature in the appliance will rise:

- the more often the door is opened and the longer it is kept open,
 - the more food that is placed in it,
 - the warmer the food is which is being put into it,
 - the higher the ambient temperature surrounding the appliance.
- The appliance is designed for use in specific ambient temperatures (climate ranges). Do not use in ambient temperatures for which it is not designed.

. . . in the refrigerator



We recommend a temperature of **5 °C** in the middle of the refrigerator.

Setting the temperature

- Press the temperature selector button repeatedly until the indicator light for the temperature you want lights up in the display.

The first time you press the button the indicator light for the last temperature you set will flash in the display.

The temperature value will change up until the setting for 9 °C is reached. It will then drop back to the 1 °C setting.

The newly selected temperature will be adopted automatically after a short while.

The indicator for the temperature which has been set for the refrigerator will light up constantly.

The temperature can be set slightly colder than shown in the display if wished.

The following example shows how this option works:

The correct temperature

To set the temperature between 5 and 7 °C to be slightly colder:

- Press the temperature selector button repeatedly until the indicator for 5 °C lights up.
- Press the button for approx. another 5 seconds to set the temperature.

The colder temperature setting within the small temperature range is now set. However, this is not visible in the temperature display.

Temperature display

The temperature display on the control panel always shows the **required** temperature.

The temperature can be adjusted from 1 °C to 9 °C.

Super cool

The Super cool function can be used to rapidly reduce the temperature in the refrigerator to its lowest setting (depending on the room temperature).

Switching on Super cool

Super cool is particularly recommended for the faster chilling of large amounts of fresh food or drink.



- Press the Super cool button.

The Super cool symbol ❄️ will light up. The appliance will work at full power to lower the temperature in the appliance.

Switching off Super cool

The Super cool function will switch itself off automatically after approx. 6 - 12 hours. The Super cool ❄️ symbol will go out and the appliance will run at normal power again.

To save energy, the Super cool function can be switched off once food and drinks are sufficiently chilled.

- Press the Super cool button. The Super cool symbol ❄️ will go out.

Dynamic cooling

When the Dynamic cooling function is not switched on, the natural circulation of air in the appliance will cause different temperature zones in the refrigerator as the cold, heavy air will sink to the lowest section of the appliance. You should bear this in mind when placing food in the appliance (see "Using the refrigerator efficiently"). However, if you are placing a large amount of food in the refrigerator at any one time, it is a good idea to switch on Dynamic cooling. This way you can distribute the temperature inside the appliance to all areas more evenly so that all the food will be chilled to about the same degree.

The temperature is set as normal with the Temperature button.

Dynamic cooling should also be selected when:


- the ambient temperature in the room is high (above approx. 30 °C), and
- the room humidity level is high (e.g. during summer).

Super cool and Dynamic cooling

Switching on Dynamic cooling



- Press the Dynamic cooling button.

The Dynamic cooling symbol  will light up.

The Dynamic cooling fan is now ready to operate. It will switch on automatically when the compressor switches on.

Switching off Dynamic cooling

- Press the Dynamic cooling button.
The Dynamic cooling symbol will go out.

To save energy, the Dynamic cooling fan switches off automatically whilst the door is open.

Using the refrigerator efficiently

Different storage zones

Due to the natural circulation of the air in the appliance, there are different temperature zones in the refrigerator. Cold, heavy air sinks to the lowest section of the appliance. Make use of the different zones when placing food in the appliance.

This appliance has dynamic cooling, which helps to keep an even temperature when the fan is running. When Dynamic cooling is switched on, the difference between the various zones less pronounced.

Warmest area

The warmest area is in the top section of the door. Use this for storing butter and cheese.

Coldest area

The coldest area in a refrigerator is directly above the vegetable containers and at the back wall.

Use this for all delicate and highly perishable food, e.g.

- fish, meat, poultry,
- sausage products, ready meals,
- dishes or baked goods containing eggs or cream,
- fresh dough, cake mixtures, pizza or quiche dough,
- soft cheese and other dairy products,
- pre-packed vegetables and other fresh food with a label stating it

should be kept at a temperature of approx. 4 °C.

Do not store explosive materials in the appliance or any products containing propellants (e.g. spray cans). Danger of explosion.

If storing alcohol with a high percentage proof, make sure it is tightly closed, and store upright.

Please be aware if storing cooking oil in the appliance that traces of oil can cause stress cracks to occur in plastic components.

Food must not touch the back wall of the appliance, as it may freeze to the back wall.

To allow air to circulate efficiently, do not pack food too closely together in the refrigerator. Do not cover the fan in the rear wall of the refrigerator, as this is essential for keeping the appliance cool.

Using the refrigerator efficiently

Food which is not suitable for storing in the refrigerator

Not all food is suitable for storing in a refrigerator at temperatures below 5 °C, as some food does not tolerate cold temperatures. Cucumbers, for example, become glassy, aubergines bitter and potatoes sweet. Tomatoes and oranges lose their aroma, and the peel on citrus fruits hardens.

Food which does not tolerate cold temperatures includes:

- Pineapple, avocado, bananas, pomegranate, mango, melon, papaya, passion fruit, citrus fruit (such as lemons, oranges, mandarins, grapefruit),
- Fruit which is not yet ripe,
- Aubergines/egg plant, cucumber, potatoes, peppers/capsicum, tomatoes, courgettes/zucchini,
- Some hard cheeses, e.g. Parmesan.

When shopping for food

The freshness of food when first placed in the appliance is an important factor in determining how long it stays fresh. Time out of the refrigerator, e.g. during transportation, should be kept to a minimum. For example, do not allow food to stay in a hot car for too long. Once food has started to deteriorate, this process cannot be reversed. As little as two hours outside the refrigerator can cause food to start deteriorating.

Storing food correctly

Store food covered or packaged. This will prevent food smells from affecting other food, food from drying out, and also any cross-contamination of bacteria. The growth of bacteria, such as salmonella, can be avoided by setting the correct temperature and maintaining good standards of hygiene.

Fruit and vegetables

Fruit and vegetables may be stored loose in the vegetable containers. However, please bear in mind that not all types of fruit and vegetables are suitable for storing in the same container. Aromas and flavours can transfer from one type of food to another (e.g. carrots absorb the smell and flavour of onions very easily). Some food also gives off a natural gas (ethylene) which speeds up the rate at which other food perishes. Some fruit and vegetables react strongly to this gas and should not be stored together.

Examples of fruit and vegetables which produce a large amount of this natural gas are:

Apples, apricots, pears, nectarines, peaches, plums, avocados, figs, blueberries, melons and beans.

Using the refrigerator efficiently

Examples of fruit and vegetables which react strongly to the natural gases given off by other types of fruit and vegetables are:

Kiwis, broccoli, cauliflower, Brussels sprouts, mangos, honeydew melons, apples, apricots, cucumbers, tomatoes, pears, nectarines and peaches.

Example: Broccoli should not be stored with apples, as apples produce a large amount of natural gas to which broccoli is very sensitive. The result is a shorter than expected storage time for the broccoli.

Unpacked meat and vegetables

Unpackaged meat and vegetables should be stored separately. To avoid any microbiological cross-contamination, these foods may only be stored together if they are wrapped.

Protein rich foods

Please note that foods rich in protein deteriorate faster than others. Shellfish, for example, deteriorates faster than fish, and fish deteriorates faster than meat.

Meat

Meat should be stored unwrapped. (Undo wrappings slightly to leave meat loosely covered, and leave containers open). This permits air to circulate around the meat, allowing the surface to dry slightly, which helps prevent the growth of bacteria. To prevent the risk of bacterial cross-contamination and meat deteriorating, do not let one type of meat come into direct contact with another type.

Adjusting the interior fittings

Moving the shelves

The shelves can be adjusted according to the height of the food.

- Raise the shelf, and pull it forwards slightly until the notch at the side is in line with the shelf support. It can then be raised or lowered to the required level.

The raised edge at the back must face upwards to prevent food from touching the back of the appliance and freezing to it.

Stoppers prevent the shelves from being dislodged by mistake.

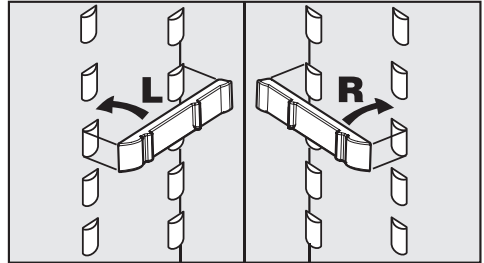
Split shelf

In order to accommodate tall items in the appliance, one of the shelves is divided. The front section can be pushed under the rear section.

- Push the rear half of the glass shelf up slightly from below.
- At the same time, pull the front half of the glass shelf forwards slightly and then push it carefully under the rear half.

To move the split shelf:

- Take both halves of the split glass shelf out,



- fit the two brackets onto the supports on either side at the required height,
- and push the glass shelves in one after the other.
The shelf with the raised edge must be at the back.

Adjusting the door shelf/bottle shelf

- Push the door/bottle shelf upwards, then remove it by pulling it forwards.
- Replace the door/bottle shelf at the required position. Ensure that it is securely pushed back into position.

The refrigerator defrosts automatically.

Condensate and frost can build up on the back wall of the refrigerator whilst it is in use. You do not need to remove this, as it will defrost and evaporate automatically with the warmth generated by the appliance.

The condensate is drained away via a channel and drain hole into an evaporation system at the back of the appliance.

Ensure that the condensate channel and drain hole are kept clean and are never blocked so that condensate can flow away without hindrance.

Cleaning and care

A range of Miele branded cleaning and conditioning products is available to order from Miele or from www.miele-shop.com.

Make sure that water cannot penetrate into the electronic unit or into the light.

Do not let water get into the condensate channel and drain hole when cleaning.

Do not use steam cleaning apparatus to clean the appliance. Steam could reach electrical components and cause a short circuit.

The data plate located inside the appliance must not be removed. It contains information which is required in the event of a service call.

To avoid damaging the surface of your appliance, do not use:

- cleaning agents containing soda, ammonia, acids or chlorides,
- cleaning agents containing descaling agents,
- abrasive cleaning agents, e.g. powder cleaners and cream cleaners,
- solvent-based cleaning agents,
- stainless steel cleaning agents,
- dishwasher cleaner,
- oven sprays,
- glass cleaning agents,

- hard, abrasive sponges and brushes, e.g. pot scourers,
- melamine eraser blocks,
- sharp metal scrapers.

Before cleaning

- Switch the appliance off.
- Disconnect the appliance from the mains.
- Take any food out of the appliance and store it in a cool place.
- Take out any removable parts, e.g. shelves, for cleaning.

Cleaning the interior and accessories

- Clean the appliance at least once a month.

Remove soiling immediately to prevent it from drying on.

Use lukewarm water with a little washing-up liquid.

The following are dishwasher safe:

- the butter dish, egg trays (supplied as standard, depending on model)
- the shelves and bottle shelf in the door
- the butter and cheese compartment

The temperature of the dishwasher programme must not exceed 55 °C. Contact with some foodstuffs, such as carrots, tomatoes or ketchup can cause plastic items to discolour. However, this discolouration will not affect the stability of plastic items.

- Clean the interior shelves and drawers by hand. These are **not** suitable for cleaning in a dishwasher.
- Clean the condensate channel and drain hole frequently, so that condensate can drain away unhindered. Use a straw or similar to clear the drain if necessary.
- After cleaning, wipe the interior and accessories with a damp cloth and dry with a soft cloth. Leave the door open to air the appliance for a short while.

Appliance door, side panels

Remove any soiling from the appliance door and side panels immediately.

If this is not done, it might become impossible to remove and could cause the surface to alter or discolour.

All surfaces are susceptible to scratching. Contact with unsuitable cleaning agents can alter or discolour the surfaces.

- The surfaces should be cleaned using a solution of hot water and a little washing-up liquid applied with a soft sponge. They can also be cleaned with a damp microfibre cloth (without using any cleaning agent).
- After cleaning, wipe with a clean water and dry with a soft cloth.

Cleaning and care

Ventilation gaps

- The ventilation gaps should be cleaned regularly with a brush or vacuum cleaner. A build-up of dust will increase the energy consumption of the appliance.

Door seal

Do not use any oils or grease on the door seal as these will cause the seal to deteriorate and become porous over time.

The door seal should be cleaned regularly with clean water and then wiped dry with a soft cloth.

Metal grille at the back of the appliance

The metal grille at the back of the appliance (heat exchanger) should be dusted at least once a year. A build-up of dust will increase the energy consumption of the appliance.

When cleaning the grille, make sure that the pipework and other components do not get broken or damaged in any way.

After cleaning

- Replace all shelves and accessories in the appliance.
- Reconnect to the mains and switch the appliance back on.
- Place food back in the appliance and close the door.

Problem solving guide

Some minor problems can be corrected without contacting Miele.

If having followed the suggestions below, you still cannot remedy the fault, please contact Miele. To prevent unnecessary loss of temperature it is advisable not to open the door while waiting for the appliance to be serviced.

Installation, maintenance and repairs may only be carried out by a suitably qualified and competent person in strict accordance with current national and local safety regulations.


Repairs and other work by unqualified persons could be dangerous. The manufacturer cannot be held liable for unauthorised work.

Problem	Possible cause	Remedy
The appliance does not heat up.	The appliance has not been switched on. The temperature display is not lit up.	■ Press the On/Off button.
	The plug is not inserted in the socket correctly.	■ Insert the plug in the socket correctly.
	Check whether the mains fuse has tripped. There could be a fault with the appliance, the household electrical wiring or another electrical appliance.	■ Contact a qualified electrician or Miele.
The temperature inside the appliance is too low.		■ Set a warmer temperature.
	The Super cool function is still switched on. The Super cool function switches itself off automatically after approx. 6 - 12 hours.	You can switch off the Super cool function earlier to save energy. ■ Press the Super cool button.

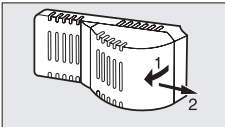
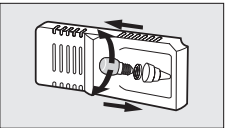
Problem solving guide

Problem	Possible cause	Remedy
<p>The appliance is switching in too frequently or for too long.</p>	<p>The ventilation gaps have been covered over or become dusty.</p>	<ul style="list-style-type: none"> ■ Do not cover or block the ventilation gaps.
	<p>The metal grille (heat exchanger) at the rear of the appliance has become dusty.</p>	<ul style="list-style-type: none"> ■ Dust the ventilation gaps and the heat exchanger regularly.
	<p>The door has been opened too frequently, or a large amount of food has been put in at once.</p>	<p>Only open the door when necessary and for as short a time as possible. The required temperature will re-establish itself after a while.</p> <ul style="list-style-type: none"> ■ See "The correct temperature" for more information.
	<p>The door cannot be closed correctly.</p>	
	<p>The ambient temperature is too high. The higher the ambient temperature, the longer the compressor will run for.</p>	<ul style="list-style-type: none"> ■ See "Installation - Location" for more information.

Problem solving guide

Problem	Possible cause	Remedy
The appliance is switching in too frequently or for too long.	To save energy, the compressor runs at a lower speed, but for longer, when less cooling is required.	
	The Super cool function is still switched on.	The Super cool function switches itself off automatically after approx. 6 - 12 hours. You can switch off the Super cool function earlier to save energy. ■ Press the Super cool button.
The  symbol lights up.	Demo mode has been activated. This allows the appliance to be displayed in the showroom without the cooling system being switched on. Do not activate this setting for domestic use!	■ Deactivate Demo mode (see "Information for dealers - Demo mode").

Problem solving guide

Problem	Possible cause	Remedy
<p>The interior lighting is not working.</p>	<p>The lighting switches itself off automatically after approx. 15 minutes if the door is left open.</p> <p>If it does not come on when the door is opened briefly, but the temperature display is working, then the lighting is defective.</p>	<ul style="list-style-type: none"> ■ Disconnect the appliance from the mains.  <ul style="list-style-type: none"> ■ Press the sides of the lamp cover forwards (1) and unhook the cover (2).  <ul style="list-style-type: none"> ■ Unscrew the lamp and replace it with a new one. <p>Lamp specification: 220 - 240 V, E 14 cap See the old lamp for the Wattage required.</p> <ul style="list-style-type: none"> ■ Replace the cover by clipping it in at the rear and then pressing it in at the sides.
<p>The floor of the refrigerator is wet.</p>	<p>The condensate drain hole is blocked.</p>	<ul style="list-style-type: none"> ■ Clean the condensate channel and drain hole.

Normal noises	What causes them
Brrrrr...	Humming noise made by the motor (compressor). This noise can get louder for brief periods when the motor is switching on.
Blubb, blubb....	A gurgling noise can be heard when coolant is circulating through the pipes.
Click....	Clicking sounds are made when the thermostat switches the motor on and off.
Sssrrrrr....	On multi-zone and frost-free appliances you can sometimes just hear the movement of air circulating inside the appliance.
Creak ...	Creaking sounds can be heard when material inside the appliance expands.

Remember that the noise of the compressor and the coolant circulating in the system is unavoidable.

Noises that you can easily rectify	Possible cause	Remedy
Rattling, vibrating	The appliance is uneven.	Realign the appliance using a spirit level, by raising or lowering the screw feet underneath the appliance.
	The appliance is touching another appliance or piece of furniture.	Move it away.
	Drawers, baskets or shelves are unstable or sticking.	Check all removable items and refit them correctly.
	Are any bottles or containers unstable or knocking against each other?	Separate them.
	The transport cable clips are hanging loose at the back of the appliance.	Remove the clips.

After Sales / Guarantee

In the event of a fault which you cannot correct yourself, or if the appliance is under guarantee, please contact:

– your Miele Dealer

or

– Miele
(see back cover for contact details).

When contacting your Dealer or Miele, please quote the model and serial number of your appliance. This information is given on the data plate inside your appliance.

Please note that telephone calls may be monitored and recorded for training purposes.

N.B. A call-out charge will be applied for service visits where the problem could have been resolved as described in these instructions.


Guarantee

For information on the appliance guarantee specific to your country please contact Miele. See back cover for contact details.

In the U.K. your appliance is guaranteed for 2 years from the date of purchase. However, you must activate your cover by calling 0845 365 6640 or registering online at www.miele.co.uk.



Demo mode

The appliance can be demonstrated in the showroom or at exhibitions in "Demo mode". In this mode the interior lighting, the display and the controls are functioning but the compressor remains switched off.



Demo mode is represented in the display by the  symbol.

To activate Demo mode


- Press the On/Off button.
- Press the On/Off button and the Temperature button at the same time for approx. 5 seconds.

The Menu symbol  and the Super cool symbol  will flash.

- Press the Temperature button repeatedly until the 3 °C area lights up in the temperature display.

The Menu symbol  and the Super cool symbol  will flash.



- Press the Super cool button.

Demo mode has now been activated. The  symbol and the 7 °C area of the temperature display will light up.


If Demo mode is activated and the appliance is then switched off and back on again, all areas of the temperature display will light up for a short time. Demo mode remains activated.

To deactivate Demo mode

- Press the On/Off button and the Temperature button at the same time for approx. 5 seconds.

The Menu symbol , the Super cool symbol  and the 3 °C area of the temperature display will flash.

- Press the Super cool button.

The  symbol will go out and the area of the temperature set will light up or flash (if the temperature set has not yet been reached) in the temperature display.

- Press the On/Off button.

Demo mode has now been deactivated.

Electrical connection

Electrical connection U.K.

All electrical work should be carried out by a suitably qualified and competent person in strict accordance with current local and national safety regulations (BS 7671 in the UK).

The appliance is supplied with a mains cable and moulded plug ready for connection to an a.c. single phase 220-240 V 50 Hz supply.

Please ensure that the connection data quoted on the data plate match the household mains supply.

Connection should be made via a suitable switched socket which is easily accessible. For extra safety it is advisable to protect the appliance with a suitable residual current device (RCD).

Do not connect the appliance to the mains electricity supply by an extension lead. Extension leads do not guarantee the required safety of the appliance (e.g. danger of overheating).

This appliance must not be connected to the inverter of an autonomous power supply, e.g. a solar power system. When switching the appliance on, a surge in power could trigger the safety cut-out mechanism. This could damage the electronic unit.

The appliance must not be used with so-called energy saving devices. These reduce the energy supply to the appliance which could then become too warm. Using such devices could alter the specification of the product.

Non-rewireable plugs (BS 1363)

The fuse cover must be re-fitted when changing the fuse, and if the fuse cover is lost, the plug must not be used until a suitable replacement is obtained. The colour of the correct replacement cover is that of the coloured insert in the base of the plug, or the colour that is embossed in words in the base of the plug (as applicable to the design of the plug fitted).

Replacement fuses should be ASTA approved to BS 1362 and have the correct rating. Replacement fuses and fuse covers may be purchased from your local electrical supplier.

WARNING
THIS APPLIANCE MUST BE
EARTHED

Do not place any appliance which gives off heat, such as a toaster or microwave oven, on top of this appliance, as this would increase the appliance's energy consumption.

This appliance must not be installed directly next to another refrigerator or freezer. It does not have side-wall heating, so installation next to another refrigerator or freezer could cause a build-up of condensation between them. Further information is available from your dealer.

Important: tropical / humid environments

During periods of high humidity, some condensation may appear on outside surfaces of cooling appliances. This condensation will disappear when humidity levels drop. For prevention, it is advisable to install the appliance with sufficient ventilation in a dry and/or an air-conditioned room. Please ensure that doors are closing and sealing properly. Please ensure that the appliance is installed in accordance with these installation instructions and that the handle is fitted correctly. Should you require further assistance please contact your Miele customer service centre.

Location

This appliance should be installed in a dry, well-ventilated room. It should not be installed where it is exposed to direct sunlight or directly adjacent to a heat-producing appliance such as an oven or a radiator. The room temperature should not go above or below the climate range for which the appliance is designed. The higher the ambient temperature of the room, the more energy the appliance requires to operate.

Climate range

The appliance is designed for use within certain climate ranges (ambient temperatures), and should not be used outside this range. The climate range of the appliance is stated on the data plate inside the appliance.

Climate range	Ambient room temperature
SN	+10 °C to +32 °C
N	+16 °C to +32 °C
ST	+16 °C to +38 °C
T	+16 °C to +43 °C

Operating in a room which is too cold will cause the cooling system to switch off for too long, causing the internal temperature in the appliance to rise with the risk of food deteriorating and going off.

Installation

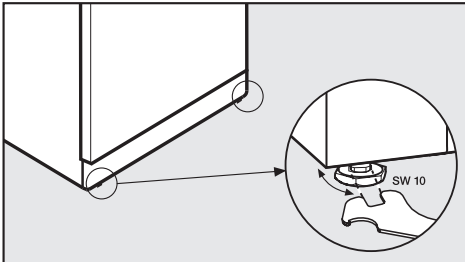
Ventilation

Air at the back of the appliance gets warm. To ensure sufficient ventilation the ventilation gaps must not be covered over. The air inlet and outlet must not be covered or blocked in any way. They should be dusted on a regular basis.

Installation

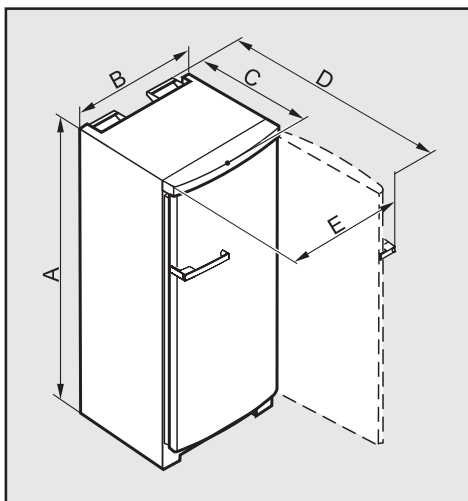
- Remove the cable clip from the back of the appliance.
- Check that all parts at the back of the appliance are unhindered. Carefully remove any hindrance.
- Carefully push the appliance into position
- with its back against the wall.

Aligning the appliance



- To align the appliance, adjust the feet using a suitable spanner.

Appliance dimensions



	A	B	C	D	E
K 12421 SD	1447 mm	600 mm	631 mm	1176 mm	646 mm

Changing the door hinging

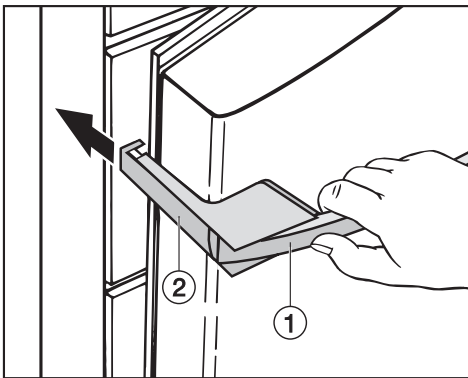
The appliance is supplied right-hand hinged. If left-hand door hinging is required, follow the instructions below.

You will need the following tools:

- A Torx® 15 and a Torx® 25 screwdriver,
- a flat-bladed screwdriver,
- a spanner (supplied).

Two people are needed for changing the door hinging.

Removing the door handle



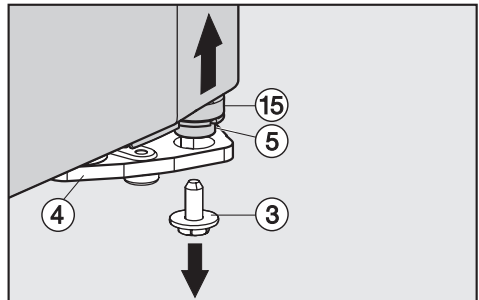
- Pull door handle ① towards you. Side section ② slides back.
- Pull side section ② firmly back out of the guides on the mounting plate.
- Undo the 4 screws (Torx® 15) in the mounting plate, and remove the handle.
- Remove the cover caps from the opposite side, and fit them into the empty holes.

The hinge parts (hinge plate and hinge pin) must be screwed sufficiently tightly as otherwise the appliance door could fall off. Danger of injury. Also the door may not close fully, which would prevent the appliance from cooling down properly. Take care to secure the hinge plate and pin tightly. Check all screws and tighten them if necessary.

Changing over the door

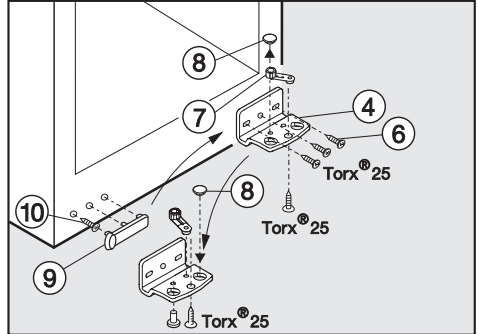
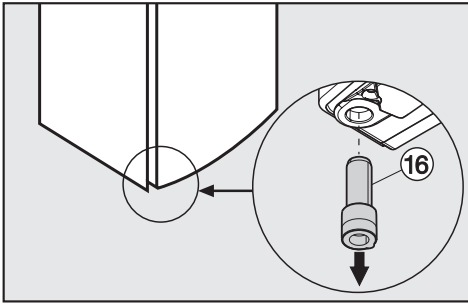
Caution. The door is not secure as soon as the hinge pin is removed.

- With the help of another person, tip the appliance back slightly.



- Unscrew retaining screw ③ on bottom right hinge plate ④.

Changing the door hinging



- Pull out spacer pin ⑯ from beneath the left-hand side of the door.

- Open the door.

- Holding the door at the bottom and on the handle side, carefully lift it upwards and off.

This will release hinge pin ⑤ with washer ⑮ from hinge plate ④. If it does not release:

- Press hinge pin ⑤ with washer ⑮ out of the hinge plate from below.

- Undo screws ⑥ and take hinge plate ④ off.

- Undo the screw of hinge part ⑦ on hinge plate ④ slightly. Fit it into the hole opposite in hinge plate ④ and tighten up the screw.

- Remove plug ⑧ and place it in the opposite hole in the hinge plate.

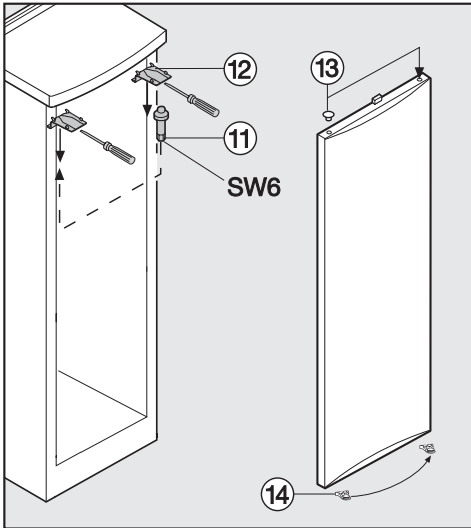
- Remove cover ⑨.

- Unscrew and remove screw ⑩ and refit it into the outer hole of the opposite side.

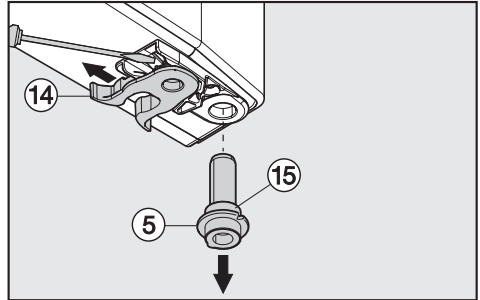
- Turn cover ⑨ through 180°, and fit it into the holes on the other side.

- Screw hinge plate ④ into position on the opposite side using the two **outer** long slots only. Do not use the middle hole because you will not be able to align the door later on.

Changing the door hinging



- Unscrew upper hinge pin ⑪ using a suitable spanner.
- Using a flat-bladed screwdriver remove covers ⑫ from the front.
- Screw in upper hinge pin ⑪ on the opposite side using a suitable spanner.
- Refit covers ⑫ from the back on the opposite side, and then click them into place at the front.
- Remove caps ⑬ from the door bearing bush in the door and refit on the opposite side.



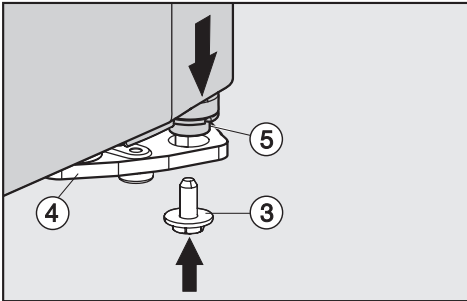
- Using a screwdriver, remove spring clamp ⑭ from underneath the door and fit it on the opposite side.
- Pull hinge pin ⑤ with washer ⑮ out of the door bearing bush from below.

Important. The opening on washer ⑮ must be placed over the tab on hinge pin ⑤ so that washer ⑮ sits correctly on hinge pin ⑤.

- Place hinge pin ⑤ with washer ⑮ in the door bearing bush on the opposite side. Important. The tab on the pin must face the inside of the door and the notch the outside.

Changing the door hinging

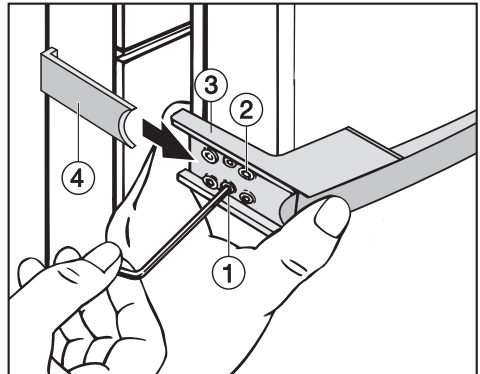
- Take the door and guide the upper door bearing bush onto upper hinge pin ⑪.



- Pivot the door and place hinge pin ⑤ into hinge plate ④. Important. Turn the hinge pin if necessary, so that the tab is pointing to the inside of the door and the notch to the outside. The hinge pin will then click into place.
- With the help of another person, carefully tip the appliance back and tighten retaining screw ③. Tighten it using a suitable spanner.
- Align the door with the appliance housing again if necessary using the long slots in the lower hinge plate. Then tighten the screws.
- Replace spacer pin ⑯ underneath the right-hand side of the door.

Refitting the handle

Please make sure you follow the instructions below carefully when you refit the handle. The door seal will be damaged if the handle is fitted incorrectly.



- Loosely attach the handle to the opposite side of the door with the two front screws ②.

Mounting plate ③ must be positioned on the side of the door so that when the door is **closed** it is flush with the side of the appliance.

If this is not the case,

- tighten both grub screws ① with a suitable allen key until mounting plate ③ lines up correctly.
- Then tighten all 4 screws ②.
- Slide the side section of handle ④ into the guides on the mounting plate until it clicks into place.

Changing the door hinging

It is important to check that the side section of handle ④ does not come into contact with the door seal when opening the door, as this would damage the door seal permanently.

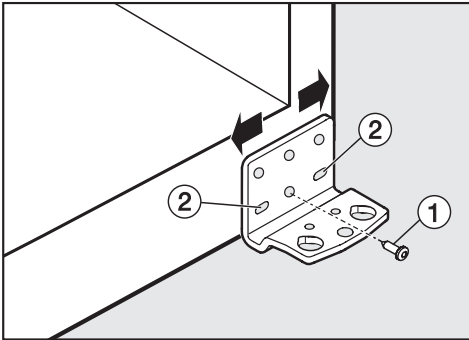
If, after you have refitted the handle, you find that the side section does touch the door seal when the door is opened:

- Realign mounting plate ③ with grub screws ① until the mounting plate and the side section of handle ④ are at the correct angle and the side section does not touch the door seal when the door is opened.

Aligning the appliance door

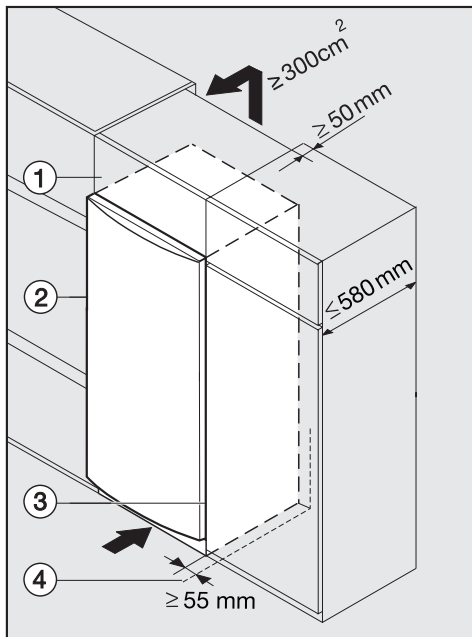
The appliance door can be aligned to the housing using the outer long slots in the lower hinge plate.

In the following illustration the door is not shown in the closed position to make it easier to see what you have to do.



- Remove centre screw ① from the hinge plate.
- Slightly loosen both outer screws ②.
- Align the door by sliding the hinge plate to the left or right.
- Then tighten screws ② again. Screw ① does not need to be used again.

Building in the appliance



The air inlet and outlet must not be covered or blocked in any way. They should be dusted on a regular basis.

When built into a kitchen run (max. depth 580 mm) the appliance can be installed directly next to a kitchen furniture housing unit. The appliance door will protrude in front of furniture fronts at the sides by 34 mm and by 55 mm in the middle of the door. This enables the doors to be opened and shut without being obstructed.

When installed **next to a wall** ④ a distance of approx. 55 mm must be maintained on the hinge side between the wall ④ and the appliance ②, so that the doors and the handles have sufficient space for opening.

- ① Top box
- ② Appliance
- ③ Housing unit
- ④ Wall

The appliance can be installed in a kitchen run. To match the height of the rest of the kitchen, the appliance can be fitted with a suitable top box ①.

A ventilation gap of at least 50 mm depth must be allowed for behind the appliance across the entire width of the top box for air to circulate.

The cross section of the air outlet under the room ceiling must be at least 300 cm² to ensure that air can circulate without hindrance. Otherwise the appliance has to work harder, resulting in an increase in electricity consumption.

United Kingdom

Miele Co. Ltd.
Fairacres, Marcham Road
Abingdon, Oxon, OX14 1TW
Tel: 0845 365 0555
Fax: 0845 365 0777
Customer Contact Centre Tel: 0845 365 6600
E-mail: info@miele.co.uk
Internet: www.miele.co.uk

Australia

Miele Australia Pty. Ltd.
ABN 96 005 635 398
1 Gilbert Park Drive, Knoxfield, VIC 3180
Tel: 1300 464 353, Fax: (03) 9764 7149
Internet: www.miele.com.au

China

Miele (Shanghai) Trading Ltd.
1-3 Floor, No. 82 Shi Men Yi Road
Jing' an District
200040 Shanghai, PRC
Tel: +86 21 6157 3500
Fax: +86 21 6157 3511
E-mail: miele Shanghai@cn.miele.com
Internet: www.miele.cn

Miele (Hong Kong) Limited

41/F - 4101, Manhattan Place
23 Wang Tai Road
Kowloon Bay
Hong Kong
Tel: (852) 2610 1331
Fax: (852) 2610 1013
Email: mielehk@miele.com.hk

India

Miele India Pvt. Ltd.
Ground Floor, Copia Corporate Suites
Plot No. 9, Jasola
New Delhi - 110025
Tel: 011-46 900 000, Fax: 011-46 900 001
E-mail: customercare@miele.in
Internet: www.miele.in

Manufacturer: Germany - Miele & Cie. KG
Carl-Miele-Straße 29, 33332 Gütersloh



Ireland

Miele Ireland Ltd.
2024 Bianconi Avenue
Citywest Business Campus, Dublin 24
Tel: (01) 461 07 10, Fax: (01) 461 07 97
E-Mail: info@miele.ie, Internet: www.miele.ie

New Zealand

Miele New Zealand Limited
Unit L, 10-20 Sylvia Park Road
Mt. Wellington, 1060, Auckland, NZ
Tel: 0800 264 353, Fax: 0800 463 453
Internet: www.miele.co.nz

Singapore

Miele Southeast Asia
Miele Pte. Ltd.
163 Penang Road
04 - 02/03 Winsland House II
Singapore 238463
Tel: +65 6735 1191, Fax: +65 6735 1161
E-Mail: infosea@miele.com.sg
Internet: www.miele.sg

South Africa

Miele (Pty) Ltd
63 Peter Place, Bryanston 2194
P.O. Box 69434, Bryanston 2021
Tel: +27 (0) 11 548-1900
Fax: +27 (0) 11 548-1935
E-mail: info@miele.co.za
Internet: www.miele.co.za

United Arab Emirates

Miele Appliances Ltd.
P.O. Box 11 47 82
Gold & Diamond Park
Sheikh Zayed Road
Building 6 / Offices Nos. 6-214 to 6-220
Dubai
Tel: +971-4-341 84 44
Fax: +971-4-341 88 52
E-Mail: info@miele.ae
Internet: www.miele.ae

Alteration rights reserved / 4811

M.-Nr. 09 290 820 / 00

K 12421 SD



Free Manuals Download Website

<http://myh66.com>

<http://usermanuals.us>

<http://www.somanuals.com>

<http://www.4manuals.cc>

<http://www.manual-lib.com>

<http://www.404manual.com>

<http://www.luxmanual.com>

<http://aubethermostatmanual.com>

Golf course search by state

<http://golfingnear.com>

Email search by domain

<http://emailbydomain.com>

Auto manuals search

<http://auto.somanuals.com>

TV manuals search

<http://tv.somanuals.com>