

Miele

Operating and installation instructions




Refrigerator with Dynamic cooling K 8952 SD ed-1

To avoid the risk of accidents or damage to the appliance, it is **essential** to read these instructions before it is installed and used for the first time.



M.-Nr. 06 777 840

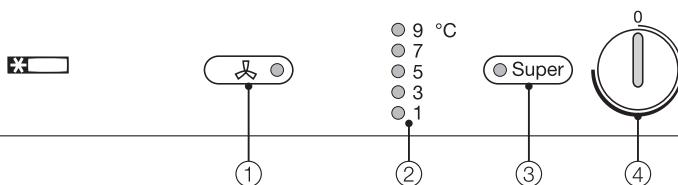
Contents

Description of the appliance	4
Caring for the environment	6
Warning and Safety instructions	7
How to save energy	11
Switching on and off	13
Switching off for longer periods of time	13
The correct temperature	14
. . . in the refrigerator	14
Setting the temperature	14
Temperature display	14
Super cool and Dynamic cooling	15
Super cool	15
Dynamic cooling 	15
Using the refrigerator efficiently	17
Different storage zones	17
Food which should not be stored in a refrigerator	17
Storing food correctly	18
Unpacked meats and vegetables	18
Protein rich foods	18
Meat	18
Adjusting the interior fittings	19
Automatic defrost	20
Cleaning and care	21
Cleaning the outer casing, the interior and accessories	21
Ventilation gaps	22
Door seal	22
Metal grille at the back of the appliance	22
Problem solving guide	23
Noises	25
After sales service	26
Electrical connection IRL, U.K., ZA	27
Electrical connection AUS, NZ	28

Contents

Installation	29
Location	29
Climate range	29
Side-by-side installation.	29
Ventilation.	29
Installation	30
Aligning the appliance.	30
Changing the door hinging	31
Building in the appliance	34

Description of the appliance



① Dynamic cooling button and indicator light

② Temperature display

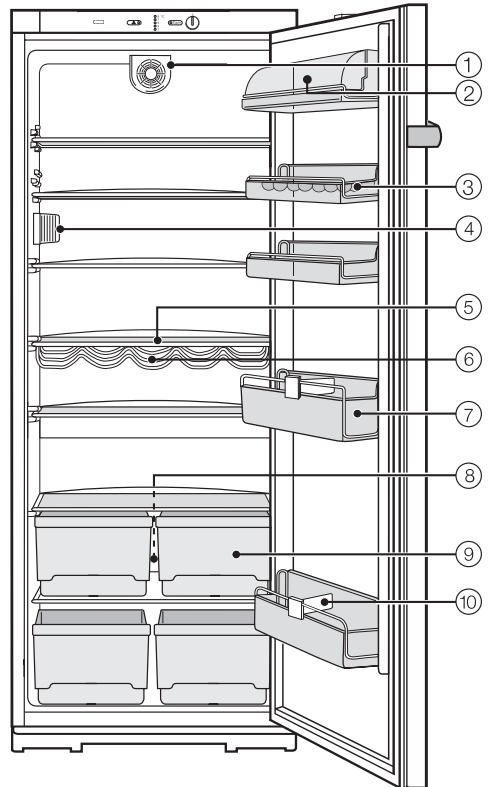
③ Super cool button and indicator light

④ On/Off and temperature selector dial

Description of the appliance

- ① Fan
- ② Butter and cheese compartment
- ③ Egg tray
- ④ Interior lighting
- ⑤ Shelves
- ⑥ Bottle rack *
- ⑦ Door shelf
- ⑧ Condensate channel and drain hole
- ⑨ Fruit and vegetable containers
- ⑩ Divider*

* depending on model



Caring for the environment

Disposal of the packing material

The transport and protective packing has been selected from materials which are environmentally friendly for disposal, and can normally be recycled.

Ensure that any plastic wrappings, bags etc. are disposed of safely and kept out of the reach of babies and young children. Danger of suffocation!

Rather than just throwing these materials away, please ensure that they are recycled.

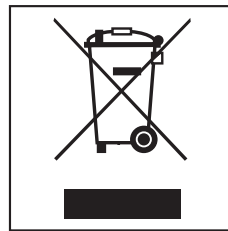
Disposal of your old appliance

Please ensure that the appliance presents no danger to children while being stored for disposal.

It should be unplugged or disconnected from the mains electricity supply by a competent person. The plug must be rendered useless and the cable cut off directly behind the appliance to prevent misuse. See the "Warning and Safety" section of this booklet for further details.

Electrical and electronic appliances often contain materials which, if handled or disposed of incorrectly, could be potentially hazardous to human health and to the environment. They are, however, essential for the correct functioning of your appliance.

Please dispose of your old appliance at your local community waste collection / recycling centre and not with your household waste.



Take care not to damage the pipework at the back of it before or during transportation to an authorised collection depot.

In this way, refrigerant in the pipework and oil in the compressor will be contained, and will not leak out into the environment.

Warning and Safety instructions

This appliance complies with all relevant legal safety requirements. Improper use can, however, present a risk of both personal injury and material damage.

To avoid the risk of accidents and damage to the appliance, read these instructions carefully before installation and before using for the first time. They contain important notes on the installation, safety, operation and care of the appliance.

Keep these instructions in a safe place and pass them on to any future user.

Correct use

■ This appliance is intended for domestic use only for the cool storage of food and drink. Any other usage is not supported by the manufacturer and could be dangerous. The manufacturer cannot be held liable for damage caused by incorrect or improper use of the appliance.

This appliance is not a toy! To avoid the risk of injury, do not allow children to play on or near it, or to play with the controls. Supervise its use by the elderly or infirm.

Technical safety

■ This appliance contains the coolant Isobutane (R600a), a natural gas which is environmentally friendly. Although it is flammable, it does not damage the ozone layer and does not increase the greenhouse effect. The use of this coolant has, however, led to a slight increase in the noise level of the appliance. In addition to the noise of the compressor, you might be able to hear the coolant flowing around the system. This is unavoidable, but does not have any adverse effect on the performance of the appliance. Care must be taken during transportation and setting up of the appliance that no parts of the cooling system are damaged. Leaking coolant can damage the eyes.

In the event of any damage:

- avoid open fires and anything which creates a spark,
- disconnect from the mains,
- air the room in which the appliance is located for several minutes and
- contact the Service Department for advice.

■ The more coolant there is in an appliance, the larger the room it should be installed in. In the event of a leakage, if the appliance is in a small room, there is the danger of combustible gases building up. For every 8 g of coolant at least 1 m³ of room space is required. The amount of coolant in the appliance is stated on the data plate inside the appliance.

Warning and Safety instructions

Before connecting the appliance to the mains supply make sure that the rating on the data plate corresponds to the voltage and frequency of the household supply. This data must correspond in order to avoid the risk of damage to the appliance. Consult a qualified electrician if in any doubt.

The electrical safety of this appliance can only be guaranteed when continuity is complete between the appliance and an effective earthing system which complies with local and national safety regulations. It is most important that this basic safety requirement is present and regularly tested, and where there is any doubt, the household wiring system should be inspected by a qualified electrician. The manufacturer cannot be held liable for the consequences of an inadequate earthing system (e.g. electric shock).

Safe operation of the appliance is only assured if it has been installed and connected in accordance with these operating and installation instructions.

This equipment may only be used in mobile installations such as ships, caravans, aircraft etc. if a risk assessment of the installation has been carried out by a suitably qualified engineer.

Installation work, maintenance and repairs may only be carried out by suitably qualified and competent persons in accordance with current national and local safety regulations. Repairs and other work by unqualified persons could be dangerous and the

manufacturer will not be held liable. Ensure current is not supplied to the appliance until after maintenance or repair work has been carried out.

The appliance is only completely isolated from the electricity supply when:

- it has been switched off at the wall socket and the plug has been withdrawn, or
- the mains fuse is withdrawn, or
- the screw-out fuse is removed (in countries where this is applicable).

Do not connect the appliance to the mains electricity supply by an extension lead.

Extension leads do not guarantee the required safety of the appliance (e.g. danger of overheating).

Use

Do not store explosive materials in the appliance or any products containing propellants (e.g. spray cans). Thermostats switching on may produce sparks which could present a fire hazard. Flammable compounds could explode.

Do not use any electrical equipment in this appliance, e.g. ice cream makers. Danger of sparking and explosion!

If storing alcohol with a high percentage proof, make sure it is tightly closed and stored upright. Danger of explosion.

Warning and Safety instructions

■ Observe the "use by" dates given on food to avoid the risk of food poisoning. Storage times will depend on several factors, including the freshness and quality of the food as well as the temperature at which it is stored. Follow the instructions given on food manufacturer's packaging on storage conditions required, as well as the "use by" date.

■ Do not use sharp edged objects to – remove frost and ice,
– separate food which has become frozen. They will damage the evaporator, causing irreversible damage to the appliance.

■ Do not use defrosting sprays or de-icers, as they might contain substances which could damage the plastic parts or which could cause a build-up of gases and pose a danger to health.

■ Do not use any oils or grease on the door seal, as these will cause the seal to deteriorate and become porous with time.

■ If storing bottles of oil or food containing high levels of fat or oil in the appliance, take care not to let the fat or oil come into contact with plastic components. These can cause stress cracks to occur in the plastic components.

■ Do not block the ventilation gaps in the appliance as this would impair the efficiency of the appliance, increase the electricity consumption and could cause damage to the appliance.

■ The appliance is designed for use within certain climate ranges (ambient temperatures), and should not be used outside this range. The climate range for your appliance is stated on the data plate inside the appliance. Installing it in a room with too low an ambient temperature, e.g. a garage, will lead to the appliance switching off for longer periods so that it cannot maintain the required temperature.

■ Do not use a steam-cleaning appliance to clean this appliance. Pressurised steam could reach the electrical components and cause a short circuit.

■ In countries where there are areas which may be subject to infestation by cockroaches or other vermin, pay particular attention to keeping the appliance and its surroundings in a clean condition at all times. Any damage which may be caused by cockroaches or other vermin will not be covered by the guarantee.

Warning and Safety instructions

Disposal of your old appliance

■ Before disposing of an old appliance, first make the door latch or lock unusable.

This way you will prevent children from accidentally locking themselves in and endangering their lives.

■ Disconnect the appliance. Cut off the cable and render any plug unusable.

■ Be careful not to damage any part of the pipework whilst awaiting disposal, e.g. by

- puncturing the refrigerant channels in the evaporator.
- bending any pipework.
- scratching the surface coating.

Splashes of refrigerant can damage the eyes.

The manufacturer cannot be held liable for damage caused by non-compliance with these Warning and Safety instructions.

How to save energy

	Normal energy consumption	Increased energy consumption
Installation site	In a ventilated room.	In an enclosed, unventilated room.
	Protected from direct sunlight.	In direct sunlight.
	Not situated near to a heat source (radiator, oven).	Situated near to a heat source (radiator, oven).
	Where the ambient room temperature is ideal at approx. 20°C.	Where there is a high ambient room temperature.
Temperature setting with a thermostat which is approximate (set in stages).	With a medium setting of 2 to 3.	With a high setting: The lower the temperature in the appliance, the higher the energy consumption.
Temperature setting with a thermostat which is exact to the degree (digital display).	Cellar section 8 to 12°C	On appliances with winter setting, please make sure that the winter setting is switched off when the ambient temperature is warmer than 16 °C.
	Refrigerator section 4 to 5 °C	
	StayFresh zone just above 0 °C	
	Freezer section -18°C	
Use	Only open the door when necessary and for as short a time as possible.	Frequent opening of the door for long periods will cause a loss of coldness.
	Store food in an organised way.	If food is not stored in an organised way, searching for an item will mean the door is open for longer.
	Allow hot food and drinks to cool down before placing them in the appliance.	Placing hot food in the appliance will cause the compressor to run for a long time, as the appliance will have to work harder to lower the temperature.
	Store food covered or packaged.	The evaporation or condensation of liquids will cause a loss of coldness in the refrigerator.
	Place frozen food in the refrigerator to defrost.	
	Do not over-fill the appliance to allow air to circulate.	

How to save energy

	Normal energy consumption	Increased energy consumption
Defrosting	Defrost the freezer when a layer of ice one centimetre thick has built up.	A layer of ice hinders the cold from reaching the frozen food, and causes an increase in energy consumption.

Before using for the first time

The stainless steel surface and the stainless steel trim on the shelves have a layer of protective foil to prevent scratching during transportation.

- Do not remove this foil until the appliance has been installed or built in. Start at one of the upper corners.
- Wipe stainless steel surfaces over with a suitable proprietary conditioning agent for stainless steel, such as Neoblank (available from the Miele UK Spare Parts Department). Follow the manufacturer's instructions and apply with an even pressure in the direction of the grain.
- Clean the inside of the appliance and the accessories with warm water and a little washing up liquid, and then dry with a soft cloth.

Important:

To ensure the correct functioning of the appliance, let it stand for between 1½ and 2 hours after transporting it to its final location before connecting it to the mains.

Switching on



- Using a coin, turn the On/Off dial in a clockwise direction away from the "0" position until the temperature display lights up.

Forcing it beyond its range will damage it. Turn it only as far as it will go, then turn it back again.

The appliance begins to cool down, and the temperature required for the refrigerator shows in the temperature display. The interior light will come on when the door is opened.

Switching off

- Using a coin, turn the On/Off dial in an anti-clockwise direction back to the "0" position.

All the indicator lights go out and the cooling system is switched off.

Switching off for longer periods of time

If the appliance is not going to be used for a longer period of time, e.g. whilst on holiday,

- switch the appliance off,
- switch off at the wall socket and withdraw the plug,
- clean the appliance out and
- leave the door ajar to air the appliance.

If, during a long absence, the appliance is switched off but not cleaned out and the door is left shut, mould and odours are likely to build up inside the appliance.

The correct temperature

It is very important to set the correct temperature for storing food in the appliance. Micro-organisms will cause food which is not stored at the correct temperature to deteriorate rapidly. Temperature influences the growth rate of these micro-organisms. Reducing the temperature reduces their growth rate.

The temperature in the appliance will rise:

- the more often the door is opened and the longer it is kept open,
 - if too much food is stored in it at once,
 - the warmer the food is which is being put into it,
 - the higher the ambient temperature surrounding the appliance.
- The appliance is designed for use in specific ambient temperatures (climate ranges). Do not use in ambient temperatures for which it is not designed.

... in the refrigerator

We recommend a temperature of **5 °C** in the middle of the refrigerator.

Setting the temperature

The temperature is set using the temperature dial.



- Using a coin, turn the dial in a clockwise direction away from the "0" position.

Forcing it beyond its range will damage it. Turn it only as far as it will go, then turn it back again.

Temperature display

The temperature display on the control panel always shows the **required** temperature.

If you want the temperature in the refrigerator to be 5 °C,

- turn the temperature dial clockwise from 0 until the 5°C LED lights up on the control panel.

The temperature can be set slightly colder within the displayed temperature range (e.g. between 5 °C and 3 °C).

- Turn the temperature dial slowly in a clockwise direction from the 5°C LED position until the 3°C LED flashes briefly in the temperature display.

The temperature is now set in between 5°C and 3°C.

Super cool

The Super cool function can be used to rapidly reduce the temperature in the refrigerator to its lowest setting (depending on the room temperature), and is particularly recommended for faster chilling of large amounts of fresh food or drink.

Switching on Super cool



- Press the Super cool button. The Super cool indicator light will come on.

The appliance will then work at full power to lower the temperature in the appliance.

Switching off Super cool

The Super cool function will switch itself off automatically after approx. 6 hours. The indicator light will go out and the appliance will continue running at normal power.

To save energy, the Super cool function can be switched off once food and drinks are sufficiently chilled.

- Press the Super cool button, the Super cool indicator light will go out, and the appliance will continue to operate at normal power.

Dynamic cooling

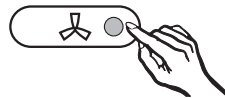
When the Dynamic cooling function is not switched on, the natural circulation of air in the appliance will cause different temperature zones in the refrigerator as the cold, heavy air will sink to the lowest section of the appliance. You should bear this in mind when placing food in the appliance (see "Using the refrigerator efficiently"). However, if you are placing a large amount of food in the refrigerator at any one time, it is a good idea to switch on Dynamic cooling. This way you can distribute the temperature inside the appliance to all areas more evenly so that all the food will be chilled to about the same degree.


The temperature is set as normal with the temperature control.

Dynamic cooling should also be selected when:

- the ambient temperature in the room is high (above approx. 30 °C), and
- the room humidity level is high.


Switching on Dynamic cooling



- Press the Dynamic cooling button . The Dynamic cooling indicator light will come on.

Super cool and Dynamic cooling

Switching off Dynamic cooling

- Press the Dynamic cooling button . The Dynamic cooling indicator light will go out.

The fan automatically switches off when the door is open.

Using the refrigerator efficiently

Different storage zones

Due to the natural circulation of the air in the appliance, there are different temperature zones in the refrigerator. Cold, heavy air sinks to the lowest section of the appliance. Make use of the different zones when placing food in the appliance.

Warmest area

The warmest area is in the top section of the door. Use this for storing butter and cheese.

Coldest area

The coldest area in a refrigerator is directly above the vegetable containers.

Use this for all delicate and highly perishable food, e.g.

- fish, meat, poultry,
- sausage products, ready meals,
- dishes or baked goods containing eggs or cream,
- fresh dough, cake mixtures, pizza or quiche dough,
- soft cheese and other dairy products,
- pre-packed vegetables and other fresh food with a label stating it should be kept at a temperature of approx. 4 °C.

Do not store explosive materials in the appliance or any products containing propellants (e.g. spray cans). Danger of explosion.

If storing alcohol with a high percentage proof, make sure it is tightly closed, and store upright.

If storing bottles of oil or food containing high levels of fat or oil in the appliance, take care not to let the fat or oil come into contact with plastic components. These can cause stress cracks to occur in the plastic components.

Food must not touch the back wall of the appliance, as it may freeze to the back wall.

Food which should not be stored in a refrigerator

Not all food is suitable for storing in the refrigerator. These include:

- Fruit and vegetables which are sensitive to cold, such as bananas, avocado pears, papaya, passion fruit, aubergines/eggplant, peppers/capsicum, tomatoes and cucumbers
- Fruit which is not yet ripe
- Potatoes
- Some hard cheeses, e.g. Parmesan

Using the refrigerator efficiently

Storing food correctly

Store food covered or packaged. This will prevent food smells or tastes from affecting other foods, and prevent food from drying out and also any cross-contamination of bacteria. The growth of bacteria, such as salmonella, can be avoided by setting the correct temperature and maintaining good standards of hygiene.

Fruit and vegetables

Fruit and vegetables can be stored loose in the vegetable containers. However, you should bear in mind that some types of vegetables give off a natural gas which speeds up the rate at which food perishes. Some fruit and vegetables react strongly to this gas and should not be stored together.

Examples of fruit which produce a large amount of this natural gas are:

Apples, apricots, pears, nectarines, peaches, plums, avocado pears and figs.

Examples of fruit and vegetables which react strongly to the natural gases given off by other types of fruit and vegetables are:

Kiwis, broccoli, cauliflower, Brussels sprouts, mangos, honeydew melons, apples, apricots, cucumbers, tomatoes, pears, nectarines and peaches.

Unpacked meats and vegetables

Different types of unpacked meats and vegetables must be kept separate. To avoid any microbiological cross-contamination, these foods may only be stored together if they are wrapped.

Protein rich foods

Please note that foods rich in protein deteriorate faster than others. Shell fish, for example, deteriorates faster than fish, and fish deteriorates faster than meat.

Meat

Meat should be stored loosely covered in suitable containers or packaging. Allowing the surface of the meat to dry slightly helps to prevent the growth of bacteria. To prevent the risk of bacterial cross-contamination meat should not be allowed to come into contact with other foods.

Moving the shelves

The shelves can be adjusted according to the height of the food.

- Raise the shelf at the front, pull it out half way, and then lift it out.
- With the rear barrier facing upwards, place the shelf at the required position.

The rear barrier must face upwards to prevent food from touching the back of the appliance and freezing to it.

Split shelf

In order to accommodate tall items in the appliance, one of the shelves is divided. The front section can be pushed under the rear section.

- Pull the front half of the glass shelf forwards slightly and then push it carefully under the rear half.

Adjusting the door shelves

- Push the door shelf upwards, then remove it by pulling it forwards.
- Replace the door shelf at the required position. Ensure that it is securely pushed back into position.

Moving the bottle divider

(depending on model)

The bottle divider can be moved to the left or right to ensure that bottles are held securely in position when the door is opened and shut.

Automatic defrost

Condensate and frost can build up on the back wall of the refrigerator whilst it is in use. These are automatically removed and defrosted by the appliance.

The condensate is drained away via a channel and drain hole into an evaporation system at the back of the appliance.

Ensure that the condensate channel and drain hole are kept clean and are never blocked so that condensate can flow away without hindrance.

Never use cleaning agents containing abrasive substances such as sand, soda, acids or chemical solvents. "Non-abrasive" cleaning agents are also unsuitable as they can cause matt areas to appear.

Stainless steel surfaces can be buffed using a proprietary conditioning agent for stainless steel such as Neoblank (available from the Miele UK Spare Parts Department).

Follow the manufacturer's instructions and apply with an even pressure following the direction of the grain.

Make sure that water cannot get into the electronic unit or into the lighting.

Do not let water get into the drainage channel and drain hole when cleaning.

Do not use steam cleaning apparatus to clean the appliance. Steam could reach the electrical components and cause a short circuit.

The data plate located inside the appliance must not be removed. It contains information which is required in the event of a service call.

Before cleaning

- Switch the appliance off by turning the temperature selector to "0", switching off at the wall socket and removing the plug.
- Take any food out of the appliance and store it in a cool place.
- Take out any removable parts, e.g. shelves, for cleaning.
- The stainless steel trim can be pulled off the front edge of the shelves for cleaning.

Cleaning the outer casing, the interior and accessories

- Clean the appliance at least once a month using warm water and a little washing-up liquid.
- Accessories and shelves should all be hand-washed. The butter dish is, however, dishwasher safe.
- To help prevent re-soiling, a proprietary stainless steel conditioning agent, such as Neoblank, can be used on stainless steel surfaces.
- Clean the condensate channel and drain hole frequently, so that condensate can drain away unhindered. Use a straw or similar to clear the drain if necessary.
- After cleaning, wipe the interior and accessories with a damp cloth and dry with a soft cloth. Leave the door open to air the appliance for a short while.

Cleaning and care

E-Cloth

- A microfibre "E-Cloth" can be used for cleaning surfaces such as stainless steel, glass, plastic and chrome without the use of chemicals. These are available from the Miele UK Spare Parts Department, and from good retail outlets.

After cleaning

- Replace all shelves and accessories in the appliance.
- Insert the plug in the socket and switch the appliance back on.
- Place food back in the appliance and close the door.

Ventilation gaps

- The ventilation gaps should be cleaned regularly with a brush or vacuum cleaner. A build-up of dust will increase the energy consumption of the appliance.

Door seal

Do not use any oils or grease on the door seal as these will cause the seal to deteriorate and become porous over time.

The door seal should be cleaned regularly with clean water and then wiped dry with a soft cloth.

Metal grille at the back of the appliance

The metal grille at the back of the appliance (heat exchanger) should be dusted at least once a year. A build-up of dust will increase the energy consumption of the appliance.

When cleaning the grille, make sure that the pipework and other components do not get broken or damaged in any way.

Repairs to electrical appliances should only be carried out by a suitably qualified and competent person in strict accordance with current local and national safety regulations. Repairs and other work by unqualified persons could be dangerous. The manufacturer cannot be held liable for unauthorised work.

Some minor problems can be corrected without contacting the Service Department.

What to do if . . .

. . . the appliance does not get cool.

- Make sure that the temperature dial is not pointing to the "0" position.
- Check that the plug is correctly inserted in the socket and switched on.
- Check that the fuse is not defective and that the mains fuse has not blown. If it has, contact the Miele Service Department.

. . . the temperature in the refrigerator is too low.

- Turn the temperature selector to a setting closer to "0".
- The Super cool function is still switched on. Super cool only switches itself off after 6 hours.

. . . the appliance is switching in too frequently and for too long.

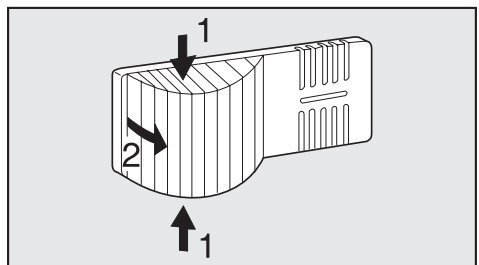
- Check whether the ventilation gaps have been covered over or become too dusty.
- Check whether, the metal grille (heat exchanger) at the back of the appliance has become too dusty.
- The appliance door is being opened frequently.
- Check that the door has been closed properly.

. . . the interior light in the refrigerator is not working.

- Make sure that the temperature dial is not pointing to the "0" position.

If it is not pointing to the "0" position the bulb is defective:

- Disconnect the appliance from the mains. Switch off at the wall and withdraw the plug from the socket, or disconnect the mains fuse or remove the screw-out fuse in countries where this is applicable.



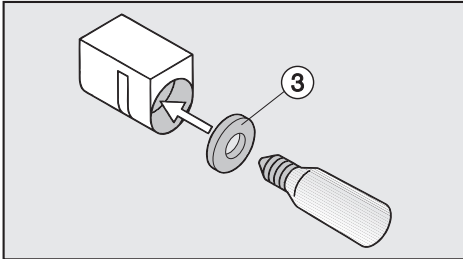
- Press the sides of the lamp cover together ①, disengage the cover and unclip it at the rear ②.

Problem solving guide

- Unscrew the lamp and replace it with a new one.

Lamp specification:

220 - 240 V, max. 25 W, E 14 fitting.



- Screw the new lamp into the connection. Ensure it goes in correctly and that the seal ③ makes a tight fit.
- Replace the cover by clipping it in at the rear and then pressing it in at the sides.

... the floor of the refrigerator is wet.

The drain hole is blocked.

- Clean the condensate channel and drain hole.

If you still cannot remedy the fault having followed these suggestions, please contact the Miele Service Department.

To prevent unnecessary loss of temperature it is advisable not to open the door while waiting for the appliance to be serviced.

Normal noises	What causes them
Brrrrr...	Humming noise made by the motor (compressor). This noise can get louder for brief periods when the motor is switching on.
Blubb, blubb....	A gurgling noise can be heard when coolant is circulating through the pipes.
Click....	Clicking sounds are made when the thermostat switches the motor on and off.
Sssrrrrr....	On multi-zone and frost-free appliances you can sometimes just hear the movement of air circulating inside the appliance.

Remember that the noise of the compressor and the coolant circulating in the system is unavoidable.

Noises that you can easily rectify	What causes them, and what can you do about them?
Rattling, vibrating	The appliance is uneven: Realign the appliance using a spirit level, by raising or lowering the screw feet underneath the appliance.
	The appliance is touching another appliance or piece of furniture: Move it away.
	Drawers, baskets or shelves are unstable or sticking: Check all removable items and refit them correctly.
	Are any bottles or containers unstable or knocking against each other? Separate them.
	The transport cable clips are hanging loose at the back of the appliance: Remove the clips.

After sales service

In the event of a fault which you cannot correct yourself, or if the appliance is under guarantee, please contact:

– your Miele Dealer

or

– the Miele Service Department (see back cover for address).

When contacting your Dealer or the Service Department, please quote the model and serial number of your appliance. This information is given on the data plate.

Please note that telephone calls may be monitored and recorded for training purposes.

All electrical work should be carried out by a suitably qualified and competent person in strict accordance with current local and national safety regulations (BS 7651 in the UK).

The appliance is supplied with a mains cable and moulded plug ready for connection to an a.c. single phase 220-240 V 50 Hz supply.

The voltage and frequency are given on the data plate. Please ensure that these match the household mains supply. The fuse rating is quoted on the plug.

Connection should be made via a suitable switched socket which is easily accessible. For extra safety it is advisable to install a residual current device (RCD) with a trip current of 30 mA (in accordance with DIN VDE 0664, VDE 0100, Section 739).

Do not connect the appliance to the mains electricity supply by an extension lead. Extension leads do not guarantee the required safety of the appliance (e.g. danger of overheating).

The appliance must not be connected to an inverter and must not be used with a plug adapter as these can cause damage to the appliance's electronic unit.

Non-rewireable plugs (BS 1363)

The fuse cover must be re-fitted when changing the fuse, and if the fuse cover is lost, the plug must not be used until a suitable replacement is obtained. The colour of the correct replacement cover is that of the coloured insert in the base of the plug, or the colour that is embossed in words in the base of the plug (as applicable to the design of the plug fitted).

Replacement fuses should be ASTA approved to BS 1362 and have the correct rating. Replacement fuses and fuse covers may be purchased from your local electrical supplier.

WARNING
THIS APPLIANCE MUST BE
EARTHED

Electrical connection AUS, NZ

All electrical work should be carried out by a suitably qualified and competent person in accordance with local and national safety regulations.

The appliance is supplied with a mains cable and moulded plug ready for connection to 220-240 V 50 Hz supply.

The voltage and frequency are given on the data plate. Please ensure that these match the household mains supply.

Connection should be made via a suitable switched socket which is easily accessible. For extra safety it is advisable to install a residual current device (RCD) with a trip current of 30 mA.

Do not connect the appliance to the mains electricity supply by an extension lead. Extension leads do not guarantee the required safety of the appliance (e.g. danger of overheating).

The appliance must not be connected to an inverter and must not be used with a plug adapter as these can cause damage to the appliance's electronic unit.

WARNING
THIS APPLIANCE MUST BE
EARTHED

Do not place any appliance which gives off heat, such as a toaster or microwave oven, on top of this appliance, as this would increase the appliance's energy consumption.

Location

The appliance should be installed in a dry, well-ventilated room.

The room temperature should not go above or below the climate range for which the appliance is designed.

The higher the ambient temperature of the room, the more energy the appliance requires to operate.

It should not be installed where it is exposed to direct sunlight or directly adjacent to a heat-producing appliance such as an oven or a radiator.

Climate range

The appliance is designed for use within certain climate ranges (ambient temperatures), and should not be used outside this range. The climate range of the appliance is stated on the data plate inside the appliance.

Climate range	Ambient room temperature
SN	+10°C to +32°C
N	+16°C to +32°C
ST	+18°C to +38°C
T	+18°C to +43°C
SN-ST	+10 °C to +38 °C
SN-T	+10 °C to +43 °C

Operating in a room which is too cold will cause the cooling system to switch off for too long, causing the internal temperature in the appliance to rise

with the risk of food deteriorating and going off.

Side-by-side installation

To avoid a build-up of condensation and resultant damage, refrigerators and freezers should not generally be installed side-by-side next to another refrigerator or freezer.

However, there are certain models with insulated side wall heating which are suitable for side-by-side installation with this refrigerator.

Ask your dealer which models can be combined with your refrigerator.

- Instructions on how to install the two appliances side-by-side are given in the instruction booklet supplied with the matching freezer or fridge-freezer.

Ventilation

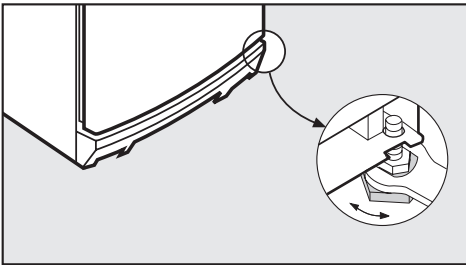
Air at the back of the appliance gets warm. To ensure sufficient ventilation, the ventilation gaps must not be covered over. The air inlet and outlet must not be covered or blocked in any way. They should be dusted on a regular basis.

Installation

Installation

- Remove any cable clips from the back of the appliance.
- Check that all parts at the back of the appliance are unhindered. Carefully remove any hindrance.
- Carefully push the appliance into position. The appliance can be placed directly against a wall.

Aligning the appliance



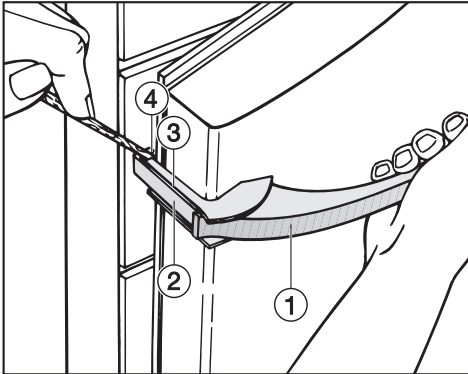
- To align the appliance adjust the feet using the spanner supplied.

Changing the door hinging

The appliance is supplied right-hand hinged. If left-hand door hinging is required, follow the instructions below.

Removing the door handle:

First the side section of the handle must be removed:



- Pull door handle ① towards you. Side section ② slides back, creating a gap ④ between side section ② and mounting plate ③.
- Place a suitable object (e.g. a spoon handle) in gap ④, and slowly lever the handle towards the door.

Be careful not to let the "spoon handle" slip, causing damage to the appliance.

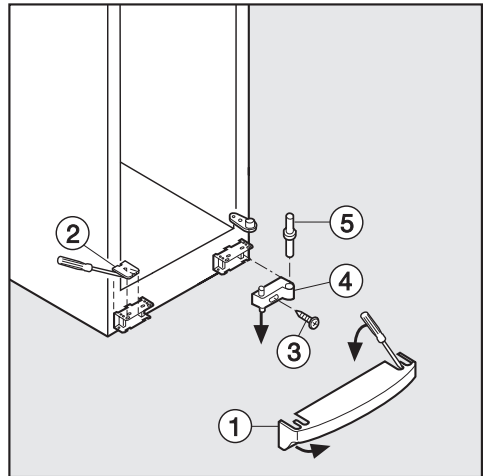
The side section ② can now be removed.

- Pull side section ② out of the guides on the mounting plate.
- Loosen the 4 screws (Torx 15) in the mounting plate, and remove the handle.

- Remove the cover caps from the opposite side, and fit them into the empty holes.

Changing over the door:

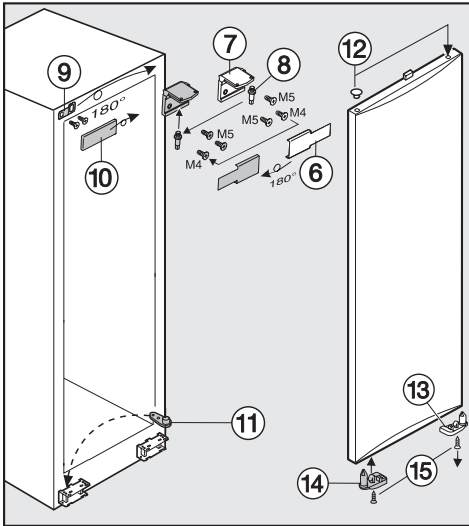
- Open the appliance door.



- Use a screwdriver to lever plinth ① out, then pull it forwards and out.
- Use a screwdriver to remove cover ②, then close the door.
- Remove screw ③ completely.
- Pull door support ④ together with hinge pin ⑤ downwards, then tilt it forwards and take it off.

Changing the door hinging

- Open the door, tilt it downwards and take it off.

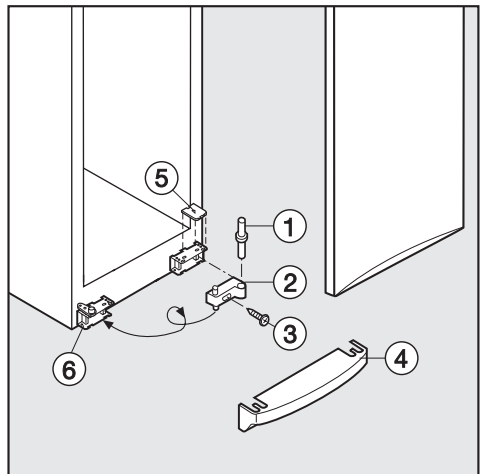


- Remove cover (6), and unscrew hinge bracket (7).
- Fit hinge pin (8) in the second hole of hinge bracket (7).
- Refit bracket (9) and cover (10) turned through 180° on the opposite side.
- Screw hinge bracket (7) into the opposite side. The **M4 screw** has to be screwed into the left hole of the hinge bracket.
- Turn cover (6) through 180°, and fit it on the other side.
- Remove spacer (11) with a screwdriver and refit it on the opposite side.
- Remove plug (12) from the door bearing bush in the door and refit on the opposite side.
- Unscrew tappet (13).

Keep it in a safe place just in case you ever decide to change the door hinging back to right hand hinging.

- Screw the tappet supplied (14) into the opposite side using the same screw (15).
- Hang the door on hinge pin (8) and then close the appliance door.

In the following illustration the door is not shown in the closed position to make it easier to see what happens next.



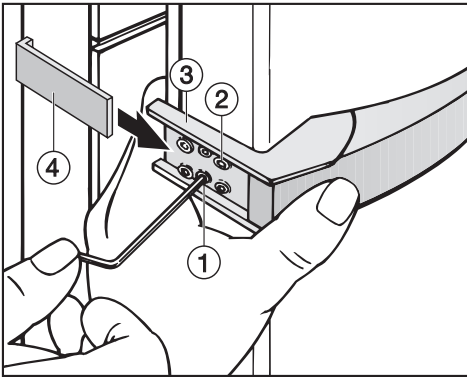
- Turn door support (2) through 180°, pull hinge pin (1) out, and then fit both parts into hinge plate (6): To do this push hinge pin (1) the other way round through hinge plate (6) into door support (2). Swing the door support in, push upwards and re-assemble with screw (3).

Changing the door hinging

- Align the door with the appliance housing using the long slot in hinge plate ⑥. Then tighten screw ③.
- Refit plinth fascia ④, pushing it firmly into position.
- With the door open, position cover ⑤ in the front of the plinth facing, and push it firmly into position.

Refitting the handle:

Please make sure you follow the instructions below carefully when you refit the handle. The door seal will be damaged if the handle is fitted incorrectly.



- Loosely attach the handle to the opposite side of the door with the two front screws ②.

Mounting plate ③ must be positioned on the side of the door so that when the door is **closed** it is flush with the side of the appliance.

If this is not the case,

- Tighten the two grub screws ① with the allen key provided until mounting plate ③ lines up correctly.

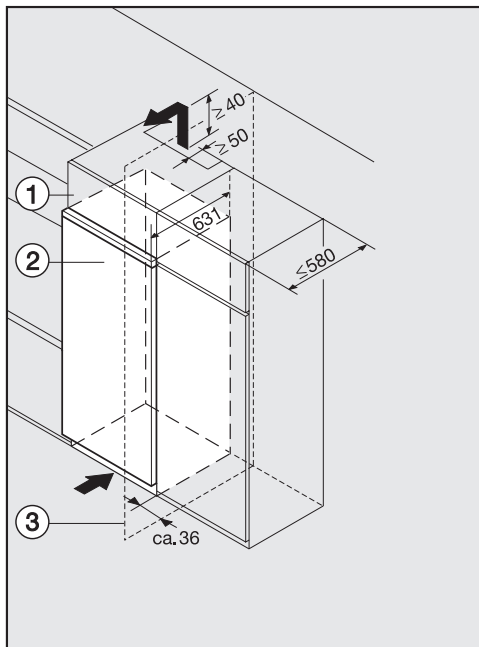
- Then tighten all 4 fixing screws ②.
- Slide the side section of the handle ④ into the guides on the mounting plate until it clicks into place.

It is important to check that the side section of the handle ④, does not come into contact with the door seal when opening the door, as this would damage the door seal permanently.

If, after you have refitted the handle, you find that the side section does touch the door seal when the door is opened:

- Realign mounting plate ③ with grub screws ① until the mounting plate and the side section of the handle ④ are at the correct angle and the side section does not touch the seal when the door is opened.

Building in the appliance



The air inlet and outlet must not be covered or blocked in any way. They should be dusted on a regular basis.

When built into a kitchen run (max. depth 580 mm) the appliance can be installed directly next to a kitchen furniture housing unit. The appliance door (2) will protrude in front of furniture fronts at the sides by 34 mm and by 51 mm in the middle of the door. This enables the doors to be opened and shut without being obstructed.

When **installed next to a wall** (3) a distance of approx. 36 mm is needed on the hinge side between the wall and the appliance, so that the door and the handle have sufficient space for opening.

600 mm wide appliances can be installed into a kitchen run. To match the height of the rest of the kitchen, the appliance can be fitted with a suitable top box (1).

A ventilation gap of at least 50 mm depth must be allowed for behind the appliance and top box, if fitted, for air to circulate.

A gap of at least 40 mm is required between the top of the appliance (or top box) and the ceiling to ensure that air can circulate without hindrance.

Otherwise the appliance has to work harder, resulting in an increase in electricity consumption.

**United Kingdom:**

Miele Co. Ltd.
Fairacres, Marcham Road
Abingdon, Oxon, OX14 1TW
tel. Abingdon (01235) 554455
Service Office: (01235) 554466
fax (01235) 554477
Internet: www.miele.co.uk

Ireland:

Miele Ireland Ltd.
Broomhill Road, Tallaght, Dublin 24
Tel: (01) 46 10 710, Fax: (01) 46 10 797
Email: info@miele.ie
Internet: <http://www.miele.ie>

Australia:

Miele Australia Pty. Ltd.
A.C.N. 005635398
1 Gilbert Park Drive
Knoxfield, VIC 3180
Telephone: (03) 9764 7100
Fax: (03) 9764 7129
Internet: www.miele.com.au

Distributor New Zealand:

Steelfort Engineering Company. Ltd.
500 Rangitikei Street
Palmerston North, Priv. Bag 11045, NZ
Telephone: (06) 350 1350
Fax: (06) 356 1507

South Africa:

Miele (Pty) Ltd
63 Peter Place
Bryanston 2194
P.O. Box 69434
Bryanston 2021
Tel.: (011) 548 1900
Telefax (011) 548 1935
Internet: www.miele.co.za
E-mail: info@miele.co.za

Singapore:

Miele Southeast Asia
Miele Pte. Ltd.
163 Penang Road
04 - 02/03 Winsland House II
Singapore 238463
Tel : +65-67351191
Fax: +65-67351161
Email: infosea@miele.com.sg
Internet: www.miele.sg

Hong Kong:

Miele (Hong Kong) Limited
AIA Plaza, 24th Floor
18 Hysan Avenue
Causeway Bay
Hong Kong
Tel.: (852) 2610 1331
Fax: (852) 2610 1013
E-mail: mielehk@miele.com.hk

Free Manuals Download Website

<http://myh66.com>

<http://usermanuals.us>

<http://www.somanuals.com>

<http://www.4manuals.cc>

<http://www.manual-lib.com>

<http://www.404manual.com>

<http://www.luxmanual.com>

<http://aubethermostatmanual.com>

Golf course search by state

<http://golfingnear.com>

Email search by domain

<http://emailbydomain.com>

Auto manuals search

<http://auto.somanuals.com>

TV manuals search

<http://tv.somanuals.com>