

Operating and Installation Instructions



Refrigerator

K 1801 SF

K 1811 SF

K 1901 SF

K 1911 SF

To prevent accidents
and appliance damage
read these instructions

before

installation or use.

en - US, CA

M.-Nr. 07 682 390

Contents

IMPORTANT SAFETY INSTRUCTIONS	4
Guide to the refrigerator	7
Before use	9
Turning the appliance On/Off	9
Settings	10
Turning the button sound On/Off	11
Turning off for longer periods of time	12
Alarm	13
Temperature alarm	13
Door alarm	13
Setting the temperature	14
Setting the temperature in the refrigerator	14
SmartFresh drawers	16
Storage temperatures	16
Humidity	16
Using the SmartFresh drawers	16
Using the refrigerator efficiently	18
SuperCool	19
Automatic defrost	20
Adjusting the interior fittings	21
Moving the shelves	21
Removing the storage shelf from above the drawer	23
Cleaning and care	24
Cleaning the interior and accessories	24
Appliance door	24
Humidity filters	25
Ventilation slits	26
Door seals	26
Changing the light bulb	27
Frequently asked questions	29
After sales service	32
Caring for the environment	34

Installation	35
Installation site	35
Installation options	37
Side panels	38
Adjusting the door opening angle (optional accessory)	38
Dimensions	39
Installing the appliance	41
Before you begin	41
RemoteVision module installation	43
Preparing the installation niche	44
Sliding the appliance into the installation space	47
Aligning the appliance.	48
Attaching the appliance to the installation niche	49
Electrical connection	52
RemoteVision (optional accessory)	53

IMPORTANT SAFETY INSTRUCTIONS

When using the appliance, follow basic safety precautions, including the following:

Read all instructions before installation and use to prevent accidents and machine damage.

This appliance is intended for residential use only. Use only as described in this Operating manual.

Only use the appliance for its intended purpose.

This appliance complies with current safety requirements. Improper use of the appliance can lead to personal injury and material damage.

Keep these operating instructions in a safe place and pass them on to any future user.

Electrical Safety

- ▶ Before installation, make sure that the voltage and frequency listed on the data plate correspond with the household electrical supply. This data must correspond to prevent injury and machine damage. Consult a qualified electrician if in doubt.
- ▶ Before installation or service, disconnect the power supply to the work area by unplugging the unit, "tripping" the circuit breaker or removing the fuse.
- ▶ Do not use an extension cord to connect this appliance to electricity. Extension cords do not guarantee the required safety of the appliance (e.g., danger of overheating).
- ▶ Be certain your appliance is properly installed and grounded by a qualified technician. To guarantee the electrical safety of this appliance continuity must exist between the appliance and an effective grounding system. It is imperative that this basic safety requirement be met. If there is any doubt, have the electrical system of the house checked by a qualified electrician.
- ▶ Only connect power to the appliance when all installation work is complete.

IMPORTANT SAFETY INSTRUCTIONS

Installation

This appliance is top-heavy and must be secured to prevent the possibility of tipping forward. Keep the door closed until the appliance is completely installed and secured per the installation instructions.

- ▶ This appliance must be installed and connected in compliance with the installation instructions.
- ▶ Installation and repair work should be performed by a Miele authorized service technician. Work by unqualified persons could be dangerous and may void the warranty.
- ▶ Installation must comply with local regulations and state laws.
- ▶ Do not operate any appliance with a damaged cord or plug, or if the appliance has been damaged in any manner. Contact Miele's Technical Service Department.
- ▶ This equipment is not designed for maritime use or for use in mobile installations such as recreational vehicles or aircraft.
- ▶ Do not install the refrigerator in a room with too low an ambient temperature, e.g., a garage, as this may lead to the appliance switching off for longer periods so that it cannot maintain the required temperature.

Use

- ▶ Persons who lack physical, sensory or mental abilities, or experience with the machine should not use it without supervision or instruction by a responsible person.
- ▶ To reduce the risk of injury, do not allow children to play in, on or near the appliance, especially in the door hinge area.
- ▶ After your refrigerator is in operation, do not touch the cold surfaces in the refrigerator compartment, particularly when hands are damp or wet. Skin may adhere to these extremely cold surfaces.
- ▶ Do not store or use gasoline or other flammable vapors and liquids in the vicinity of this or any other appliance.
- ▶ Do not use any oils or grease on the door seal, as these will cause the seal to deteriorate and become porous with time.
- ▶ Do not block the ventilation gaps in the plinth or the top of the appliance housing unit, as this can impair the efficiency of the appliance, increase the electricity consumption and cause damage to the appliance.
- ▶ Never use a steam cleaner to clean the appliance. Pressurized steam could damage electrical components and cause a short circuit.

IMPORTANT SAFETY INSTRUCTIONS

Disposal of your old appliance

- ▶ Before disposing of an old appliance, first make the door latch or lock unusable.
- ▶ Take off the door.
- ▶ Leave the shelves in place so that children may not easily climb inside.
- ▶ Consult with your municipal policy on recycling.
- ▶ Be careful not to damage any part of the pipework while awaiting disposal by:
 - puncturing the refrigerant channels in the evaporator.
 - bending any pipework.
 - scratching the surface coating.

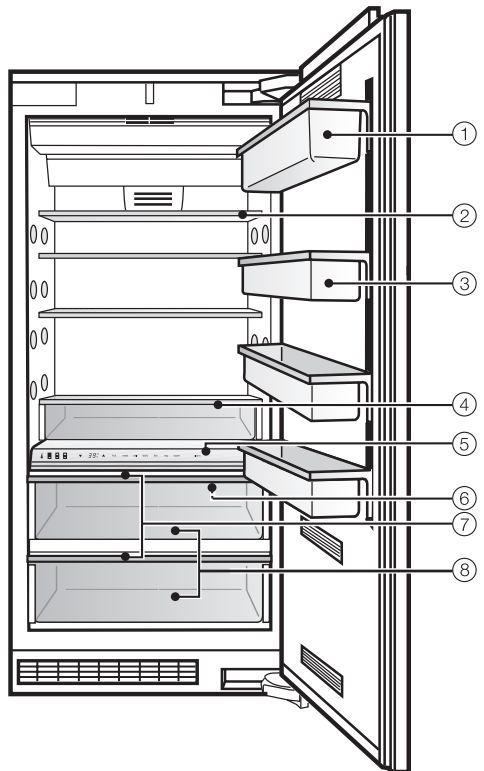
Splashes of refrigerant can damage the eyes.

- ▶ Your old refrigerator may have a cooling system that used CFCs (chlorofluorocarbons). CFCs are believed to harm stratospheric ozone. If you intentionally release this CFC refrigerant, you can be subject to fines and imprisonment under provisions of environmental legislation. Make sure the CFC refrigerant is removed and disposed of by a qualified technician.

SAVE THESE INSTRUCTIONS

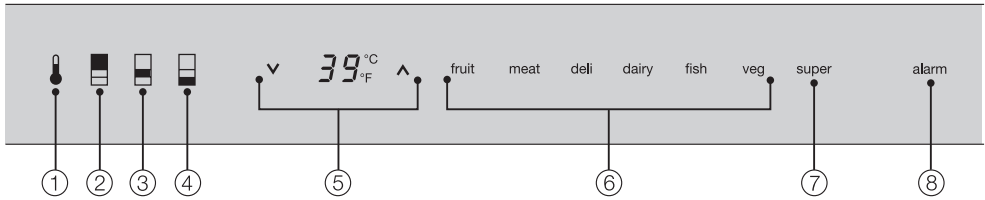
Guide to the refrigerator

- ① Hinged door shelf
- ② Shelves (height adjustable)
- ③ Door shelves (height adjustable)
- ④ Deli drawer
- ⑤ Control panel
- ⑥ Main switch
- ⑦ Humidity filters
- ⑧ SmartFresh drawers



Guide to the refrigerator

Control panel



① Access button "⏻"
activates the control panel

② Refrigerator

③ Upper SmartFresh drawer

④ Lower SmartFresh drawer

⑤ Temperature display
∨ colder; ∧ warmer
Allows you to set the desired
temperature in the refrigerator

⑥ Food type(s) to be stored in the
SmartFresh drawers

⑦ On/Off sensor button for the
SuperCool function

⑧ Sensor button for the temperature
and door alarm*

* Only visible when the relevant
function is activated

Before using for the first time

The stainless steel surface of the appliance is protected with a plastic film, which protects it during shipping.

Do not remove this protective film until the appliance has been completely installed.

After removing the protective film clean the exterior surface with the supplied stainless steel agent. This will aid in preventing resoiling.

- Clean the inside of the appliance and the accessories with a mild solution of warm water and liquid dish soap. Dry with a soft cloth.

After installing the appliance, wait at least 30 minutes before switching on the appliance. During transport, fluids in the refrigeration system may have shifted, and will need some time to settle.

Turning the appliance On/Off

- Open the appliance door.



- Turn the appliance On/Off with the main switch.

The main switch is located on the right-side underneath the control panel.


All zones are switched on or off together.

Once on, the appliance begins cooling. When the door is open, the interior lights come on.



The access button will light in the control panel.

The preset temperatures (factory settings) are reached after a few hours. Do not put any food in the appliance until the preset temperatures are reached.

 Switching the appliance off with the main switch does not safely isolate it from the power supply.

Settings

Using the settings

When a sensor button has been selected with a finger touch, it will appear yellow. A de-selected button will appear white.



- Touch the access button "⏴" so it turns yellow.



On the control panel you will now see the sensor buttons for the three appliance zones.

- To change settings (e.g., to set the temperature, etc.), touch the sensor button for the appliance zone you wish to set.

The selected sensor button appears yellow and depending on the zone selected, additional sensor buttons will appear on the control panel.

Depending on the zone selected, you can now:

- adjust the temperature,
- select the SuperCool function or
- select settings for the SmartFresh drawers by food type.

For additional information, see the corresponding sections in the manual.



- To de-select a zone touch the sensor button for that particular zone so that it turns white or select another sensor button.



- To leave the settings menu, touch the access button "⏴" so it turns white. The last settings entered are stored. If the access button is not pressed the display will go out after approx. 30 secs.

The sensor buttons for the three appliance zones now disappear from the control panel.

Custom settings

In the custom settings mode you can select and change functions. The function possibilities are described in the respective chapters of this manual.

Function	Display text
Temperature °C - °F	<i>t</i>
RemoteVision Module settings (optional accessory)	<i>r</i>
Button sound on/off	<i>b</i>
Exit Custom Settings mode	<i>c</i>

Turning the button sound On/Off

If you prefer the buttons to be silent when touched the button sound can be turned off.

- Touch the access button "0" so it turns yellow.



- Touch the sensor button for the refrigerator so it turns yellow.
- Note the position of the √ button, but do not touch.
- Touch the access button "0" again so it turns white.

Only the access button "0" is visible.

- Place one finger on the position of the √ button and hold (the √ button will not be visible).
- While holding down the √ button, press the access button "0" once. Keep holding the √ button down until the following appears in the display (approx. 5 seconds).



- Tap the √ button until *b* appears in the display.
- Touch the access button "0" to confirm.

Settings

- By touching the √ button, you can choose between:
 - **b 0** : Button sound is off
 - **b 1** : Button sound is on
 - **b -** : Return to menu.
- Touch the access button "🔒" to confirm the setting.
- Tap the √ button until you see **c** in the display.
- Touch the access button "🔒".

You have now left the Custom settings mode.

When you are in the Custom settings mode the door alarm is turned off automatically. Once the door is closed it is reactivated.

Turning off for longer periods of time

If the appliance is not going to be used for an extended time (for example, during a vacation) some precautions should be taken.

- Take all food out of the appliance
- Turn the appliance off at the main switch
- Unplug the appliance
- Clean the interior
- Leave the door open to prevent odors

The appliance is equipped with an alarm system, to ensure that the temperature does not rise unnoticed because of energy loss or an open door.

The alarm system is always operational, it does not need to be switched on.

Temperature alarm

If the temperature becomes too warm, an alarm sounds, the "alarm" indicator turns red and flashes. At the same time the affected zone flashes in the display.

The alarm will sound and the display will flash if:

- too much warm air flows into the appliance, for example when food is being loaded, re-arranged, or taken out.
- large amounts of food are loaded at once.
- the power fails.

Turning the temperature alarm Off

As soon as the alarm condition is corrected, the alarm signal turns off and the affected zone stops flashing in the display. The "alarm" indicator goes out.



- **To turn the alarm off early**, press the "alarm" sensor button. The alarm signal turns off. The "alarm" indicator remains red and the corresponding appliance zone continues to flash until the alarm condition is corrected.

Door alarm

If the appliance door is left open, an alarm signal will sound and the "alarm" indicator will turn red after five minutes.

Turning the door alarm Off

Once the door is closed the alarm turns off and the "alarm" indicator goes out. If the door has not been closed properly, the alarm will sound again after five minutes.

- **To turn the alarm off early**, press the "alarm" sensor button. The "alarm" indicator and signal will turn off.

Setting the temperature

Setting the temperature in the refrigerator

- Touch the access button "🔒" so it turns yellow.



- Touch the sensor button for the refrigerator so it turns yellow.



- Use the ∇ and ∧ buttons next to the temperature display to set the temperature warmer or colder.

Tap the ∇ and ∧ sensor buttons to raise/lower the temperature 1°, or hold it down to move through the temperature range more quickly.

The temperature display on the operating panel always shows the **desired** temperature.

Temperature range

The temperature can be selected within the following ranges:

- Refrigerator :
35 to 46° F (2°C to 8°C)

A temperature of 37°F (4°C) in the refrigerator section is recommended.

The room temperature and the installation location can affect the time it takes for the appliance to get to the desired temperature. If the room temperature is too high, it may not be possible for the appliance to reach the lowest temperature.

Setting the temperature

Temperature unit (Fahrenheit/Celsius)

The temperature can be displayed in degrees Fahrenheit (°F) or Celsius (°C).



- Touch the access button "⏏" so it turns yellow.



- Touch the sensor button for the refrigerator section so it turns yellow.
- Note the position of the ∨ button, but do not touch.
- Touch the access button "⏏" again so it turns white.

Only the access button "⏏" is visible.

- Place one finger on the position of the ∨ button and hold (the ∨ button will not be visible).

- While holding down the ∨ button, press the access button "⏏" once. Keep holding the ∨ button down until the following appears in the display (approx. 5 seconds).



- Tap the ∨ button until $℥$ appears in the display.
- Touch the access button "⏏" to confirm.
- By touching the ∨ button you can select either Fahrenheit or Celsius for the temperature display.
 - $℥$ $℥$: Fahrenheit
 - $℥$ $℥$: Celsius
 - $℥$ -: return to menu
- Touch the access button "⏏" to confirm the setting.
- Tap the ∨ button until a $℥$ appears in the display.
- Touch the access button "⏏".

You have left the Custom settings mode.

When you are in the Custom settings mode the door alarm is turned off automatically. Once the door is closed it is reactivated.

SmartFresh drawers

The SmartFresh drawers provide the right combination of temperature and humidity. The result is freshness up to three times longer than in the other zones of the refrigerator.

Storage temperatures

For fresh foods that are not adversely affected by cold, the best range is 32° - 37°F (0° - 3°C). This helps to keep the food fresh considerably longer than in the rest of the refrigerator, spoiling is minimal.

The temperature is set to approx. 35°F (1.5°C).

Humidity

The closer the humidity in the appliance matches the moisture content of the food, the more moisture the food will retain, and the fresher and crisper it will stay over a longer period of time.

The optimal humidity is determined on the basis of the food stored in the appliance.

Proper humidity is assisted by 2 humidity filters located above the SmartFresh drawers. These filters allow air to pass through, yet retain moisture.

Using the SmartFresh drawers



- Use the sensor button to select the desired drawer.

The selected sensor button turns yellow, and the sensor buttons for the food choices appear.

fruit meat deli dairy fish veg

The most recently selected food type(s) appear yellow.

- Use the sensor buttons to select the food type(s).
 - Several food types can be selected at the same time.
 - To delete a food type, simply press it again.
 - Depending on the food types selected, the optimal humidity is determined for the SmartFresh drawers.
 - The "deli" and "dairy" settings are the most energy efficient.
- Touch the access button to confirm the settings.
- Place the food in the drawer.

For optimal storage conditions, it is always best to store similar foods together in one drawer.

The upper SmartFresh drawer is the best place to store moisture sensitive foods.

Foods that are best stored under dry conditions

- fresh fish and shellfish, meats, poultry, sausage, dairy products and deli salads.

Foods that are best stored under moist conditions

- fresh produce, e.g., vegetables, lettuce, herbs, mushrooms, cabbage, fruit.

Remember that higher moisture levels can only be attained when the food is stored **unpacked so air can circulate freely**.

Using the refrigerator efficiently

Different storage zones

Due to the natural circulation of air in the appliance, there are different temperature zones in the refrigerator. Cold, heavy air sinks to the lowest section of the appliance. Make use of these different zones when placing food in the appliance.

This appliance uses a dynamic cooling feature to establish a constant temperature during cooling. As a result, the differences between temperature zones are less pronounced.

Leave some space between items, so air can circulate freely around them. Make sure the ventilation slits are not covered - this is important for the cooling performance.

Warmest area

The warmest area is in the top section of the door. Use this area to store items such as butter and cheese.

Coldest area

The coldest area in the refrigerator is directly above the SmartFresh drawers. The temperature in the drawers themselves is even colder.

Use these cold areas in the refrigerator for all highly perishable foods, such as:

- fish, meat, poultry,
- deli meats, store-bought meals,
- dishes or baked goods containing eggs or cream,
- fresh bread dough, pastry dough, cake batters,
- dairy products.

If storing high-proof alcohol, make sure it is tightly closed and stored upright.

Do not store cooking oil in the refrigerator door. Traces of oil can cause stress cracks to occur in the plastic components in the door.

Do not allow food to touch the rear wall of the appliance, it may freeze to the wall.

When the SuperCool function is activated, the appliance is cooled as cold and quickly as possible (to a factory-preset temperature).

The SuperCool function is ideal for the rapid cooling of drinks and for refrigerating large quantities of foods.

Switching on SuperCool



- Touch the sensor button for the refrigerator so it turns yellow.



- Touch the SuperCool sensor button so it turns yellow.

In the temperature display for the refrigerator zone, the new temperature setting appears, 35°F (2°C).

The temperature in the appliance now begins to fall, with maximum cooling in the refrigerator zone.

Switching off SuperCool

The SuperCool function automatically switches off after approx. 6 hours. The sensor button turns white, and the appliance continues running at normal power.

To save energy, the SuperCool function can be switched off early, once the food and/or drinks are sufficiently chilled.



- Touch the SuperCool sensor button so that it turns white.

The temperature display for the zone selected returns to the original temperature setting.

The appliance now continues running at normal power.

Automatic defrost

Refrigerator and SmartFresh drawers

The refrigerator and SmartFresh drawers defrost automatically.

During normal operation, condensate and frost can form on the rear wall of the refrigerator and drawers.

You do not need to remove this build-up, it will defrost and evaporate automatically with the heat generated by the appliance.

Adjusting the interior fittings

Moving the shelves

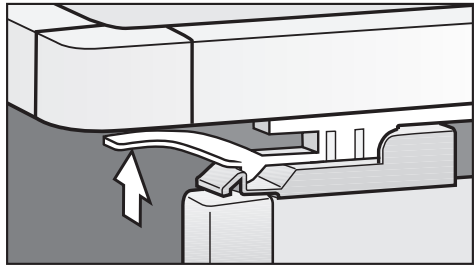
The shelves can be adjusted according to the height of the food.

- Using both hands, grasp the shelf from underneath and lift slightly so that the rear of the shelf is slightly above the mountings.
- Pull the shelf forward.
- Move the shelf to the desired height, then insert the (rear) hooks into place.
- Make sure the shelf is level.

Deli drawer

This drawer is set on telescopic tracks. It can be pulled in and out for loading and unloading, or removed for cleaning.

- Open the drawer.



- On both sides of the drawer, pull the latches (see arrow) upward and lift the drawer out of the refrigerator.

Push the tracks back into the refrigerator to avoid injury.

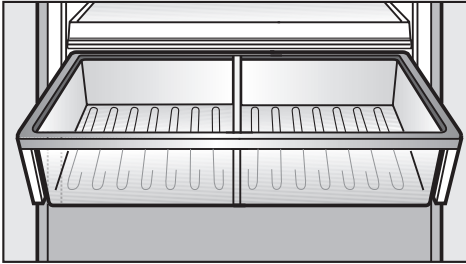
Replacing the drawer

- Completely extend the telescopic tracks.
- Lay the drawer onto the tracks so that it connects in the front and back.
- Slide the drawer in.

Adjusting the interior fittings

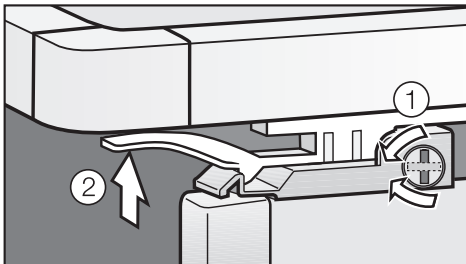
SmartFresh drawer

These drawers are set on telescopic tracks. They can be pulled in and out for loading and unloading, or removed for cleaning.



- Open the drawer.

On the hinged side of the door is a safety lock, which must be turned to a horizontal position before the drawer can be removed.



- Using a suitable object, e.g., coin, turn the safety lock to a horizontal position ①.
- On both sides of the drawer, pull the latches ② upward and lift the drawer out of the refrigerator.

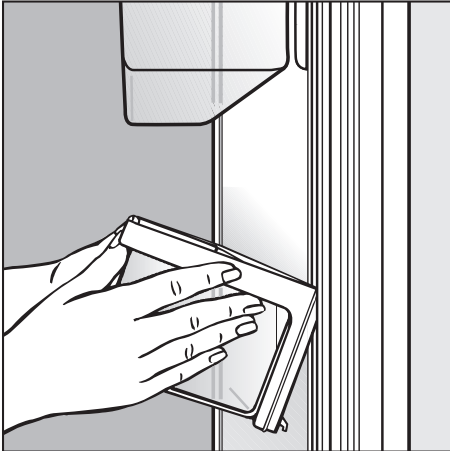
Push the tracks back into the refrigerator to avoid injury.

Replacing the drawer

- Completely extend the telescopic tracks.
- Lay the drawer onto the tracks so that it connects in the front and back.
- Turn the safety lock back to the vertical position.
- Slide the drawer in.

Adjusting the door shelves

For easier loading, unloading, and cleaning, the door shelves can be shifted or completely removed.



- Using both hands, grasp the door shelf by the frame and tip it slightly forward.
- Slide the tipped shelf up or down along the slide-rails, and click it into place with the lower hooks.
- Make sure the shelf is level.

Removing a door shelf

- Slide it upward all the way to the top of the slide-rails, until it can be removed.

Replacing a door shelf

- Start at the top of the slide-rails and slide the shelf down into the desired position.

Removing the hinged door shelf

- Pull the stops upward and out of the shelf, and remove the shelf lid upward.
- Now remove the hinged container upward and out.

Removing the storage shelf from above the drawer

- Remove the rear finishing strip, move the glass plate slightly toward the rear, and carefully lift it upward and out.

Cleaning and care

To reduce the risk of electrical shock, disconnect the appliance from the power supply by shutting off the power main, tripping the circuit breaker or unplugging the power cord before maintenance.

Never use cleaning agents containing abrasive substances such as sand, soda, acids, chlorides or chemical solvents.

Non-abrasive cleaning agents are also unsuitable, as they can cause matte areas to appear.

Stainless steel surfaces can be cleaned using a non-abrasive stainless steel cleaner (available from Miele).

Only use a mild solution of warm water and liquid dish soap to clean this appliance.

Do not use a steam cleaner to clean this appliance. Pressurized steam could penetrate electrical components and cause a short circuit.

Do not allow water to get into the electronic unit or lights.

Before cleaning



- Use the main switch to turn the appliance off completely.

The main switch is located on the right-side underneath the control panel.

- Unplug the power cord.
- Remove any food from the appliance and store it in a cool place.
- Take out any removable parts, e.g., shelves.

Cleaning the interior and accessories

Use a mild solution of warm water and liquid dish soap. Wash all accessories and drawers by hand. Do not wash in a dishwasher.

- Clean the appliance as needed.
- After washing, wipe down the interior and accessories with a clean wet cloth, then dry with a soft cloth. Leave the appliance door open for a short time, so the moisture can evaporate.

Appliance door

- Stainless steel surfaces can be cleaned using a non-abrasive stainless steel cleaner.
- To help prevent resoiling, a conditioner for stainless steel can also be used. Apply sparingly with even pressure.

Aluminum frames

The shelf frames are made of aluminum.

- Clean the frames with a mild solution of warm water and liquid dish soap.

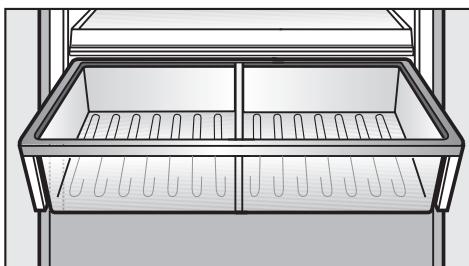
Aluminum is susceptible to scratches and nicks, treat with care.

The aluminum frames may become discolored or otherwise altered if soiling is not cleaned away promptly.

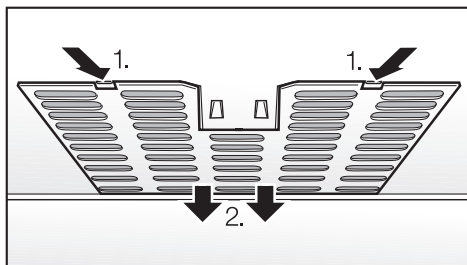
Do not use stainless steel cleaners; lime removers; scouring pads, such as pot scrubbers; or used sponges that still contain abrasive cleanser residue to clean the frames.

Humidity filters

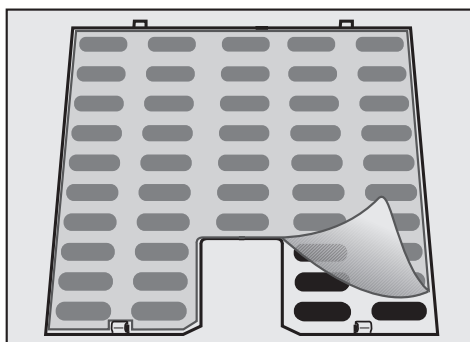
The two humidity filters, located above the SmartFresh drawers, must be removed for cleaning.



- Remove the SmartFresh drawer.



- Unhook the filter cover ① in each side of the drawer and remove them along with the filters downwards starting from ②.



- Clean the filters by rinsing them with lukewarm water.

Do not clean in a dishwasher or washing machine. This will damage the filter.

- Air-dry the filters.
- Place the filters back in the filter cover.
- Put the filter cover back in place, inserting the rear hooks first.
- Re-insert the SmartFresh drawer.

Cleaning and care

Ventilation slits

- Check the ventilation slits in the base panel regularly. Remove any dirt/dust with a vacuum cleaner or brush. Clean as needed.

Door seals

Do not use oil or grease on the door seals. This may cause the seals to deteriorate and become porous over time.

- Clean the door seals with water and dry thoroughly.

After cleaning

- Return all shelves and accessories.
- Place food back in the refrigerator and drawers.
- Close the appliance door.
- Insert the plug in the socket and switch the appliance on.

Changing the light bulb

The lighting automatically switches off after the door has been open for approx. 5 minutes. This is not a fault.

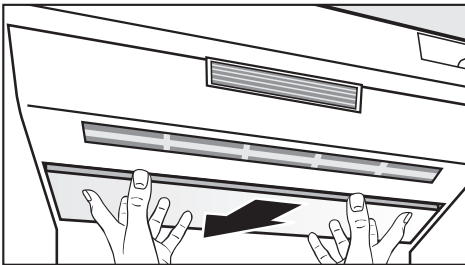
After the bulb has cooled for a short time it will turn on again.

If the light does not come on when the door is opened briefly, the light bulb should be changed.

- Use the main switch to turn the appliance off.

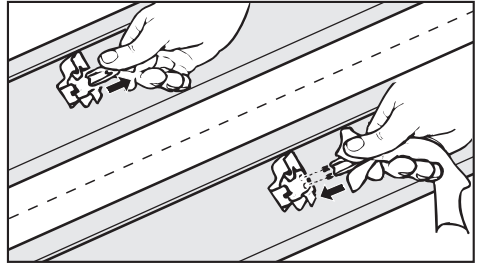
To reduce the risk of electric shock, disconnect the appliance from the power supply by unplugging or tripping the circuit breaker.

Upper lighting



- Grasp the front of the light cover with both hands, and slide it back.
- Carefully pull the cover forward and out.

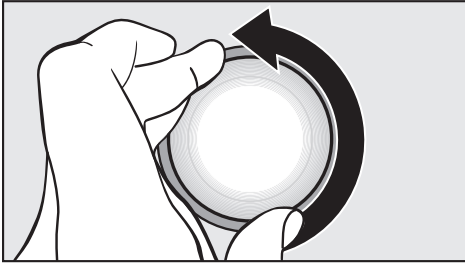
Never touch a halogen bulb with bare fingers. When inserting a glass halogen bulb, always hold with a soft cloth.



- Remove the defective light bulb.
- Place the new bulb in the socket.
Halogen bulb type:
20 W/12 V/socket GY 6.35.
- Slip the rear of the light cover back into position, then pull it forward and into place.

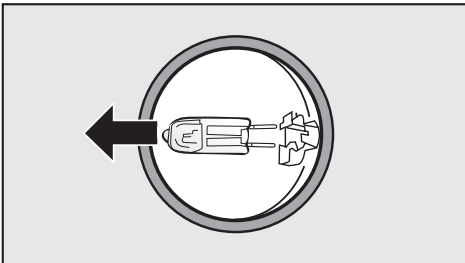
Cleaning and care

Side lighting



- Turn the light cover counterclockwise and pull out.

Never touch a halogen bulb with bare fingers.
When inserting a glass halogen bulb, always hold with a soft cloth.



- Pull the defective light bulb from the socket.
- Place the new bulb in the socket.
Halogen bulb type:
5 W/12 V/socket G 4.
- Put the light cover back on and turn clockwise into place.
- Restore power to the appliance.

Frequently asked questions

With the aid of the following guide minor problems can be corrected without a service call.

Repairs should only be carried out by a qualified and trained person in strict accordance with local and national safety regulations. Unauthorized repairs could cause personal injury or machine damage and may void the warranty.

Issue	Possible fault	Solution
The refrigerator does not get cold.	The machine is not turned on.	Check whether the appliance is switched on at the main switch. The temperature display must be lit up.
	The machine is not plugged in.	Check that the plug is correctly inserted in the power outlet.
	Check that the fuse has not tripped.	Reset the circuit breaker.
	The temperature is set incorrectly.	Check the display.
Issue	Possible fault	Solution
The temperature in the refrigerator is too low.	Select a warmer temperature.	See "Selecting the correct temperature".
	The SuperCool function is still on.	SuperCool automatically shuts off after 6 hours.
	The door is not closed.	Check that the door has been closed properly.
	A large amount of food is put in the refrigerator at the same time.	This makes the compressor run longer, causing the temperature to fall automatically.

Frequently asked questions

Issue	Possible fault	Solution
The compressor kicks on very frequently and for too long.	The ventilation slits are covered or dusty.	Clean with a vacuum or brush.
	The door has been opened too frequently, or a large amount of fresh food has been put in at once.	Once the fridge gets down to the set temperature the compressor will turn off.
	The door is not closed.	Check that the door has been closed properly.
Issue	Possible fault	Solution
The alarm is ringing.	The appliance door has been open for longer than 5 minutes.	Close the door.
Issue	Possible fault	Solution
The alarm is ringing and the "alarm" indicator is flashing.	The door is not closed.	Once the alarm condition has been corrected, the alarm will turn off and the "alarm" indicator will stop flashing.
	A large amount of food was loaded at the same time.	
	There has been a power failure.	

Frequently asked questions

The appliance is making noises.		
Issue	Possible fault	Solution
Brrrrr...	Humming noise made by the compressor. This noise can get louder for brief periods when the motor is switching on.	<p>These noises are not a fault.</p> <p>The noise of the compressor and the coolant circulating in the system is unavoidable.</p>
Blubb, blubb....	A gurgling noise can be heard when coolant is circulating through the pipes.	
Click....	Clicking sounds are made when the thermostat switches the compressor on and off.	
Sssrrrrr....	On multi-zone and frost-free appliances you can sometimes just hear the movement of air circulating inside the appliance.	
Rattling, vibrating	The appliance is uneven.	
	The appliance is touching another appliance or piece of furniture.	Move it away.
	Drawers, baskets or shelves are unstable or sticking.	Check all removable items and refit them correctly.
	Bottles or containers are unstable or knocking against each other.	Separate them.
	The transport cable clips are hanging loose at the back of the appliance.	Remove the clips.

After sales service

In the event of a fault which you cannot easily fix yourself, please contact the Miele Technical Service Department at the address on the back of this booklet.

When contacting the Technical Service Department, please quote the model and serial number of your appliance given on the data plate inside the appliance.

MieleCare

(USA only)

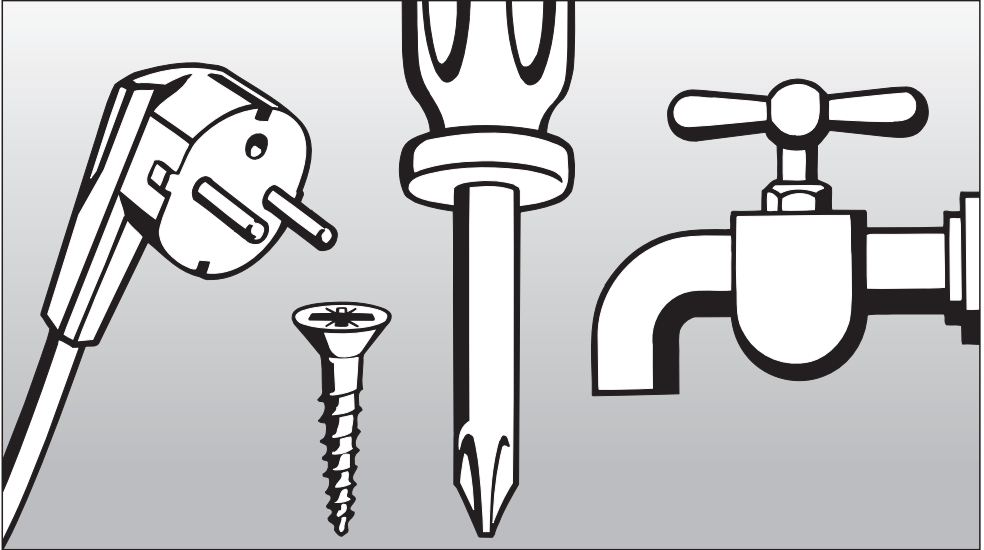
MieleCare, our Extended Service Contract program; gives you the assurance of knowing that your appliance investment is covered by 5 years of worry-free ownership.

MieleCare is the only Extended Service Contract in the industry that guarantees repairs by a Miele Authorized Service Provider using genuine Miele parts. Only genuine Miele parts installed by factory-trained professionals can guarantee the safety, reliability and longevity of your Miele appliance.

Please note that unless expressly approved in writing by the Miele Service department, Extended Service Contracts offered by other providers for Miele products will not be recognized by Miele. Our goal is to prevent unauthorized (and untrained) service personnel from working on your Miele products, possibly doing further damage to them, you and/or your home.

To learn more about MieleCare Extended Service Contracts, please contact your appliance dealer or visit us online at:

<http://miele.com/mielecare>



Installation instructions

To prevent accidents
and machine damage
read these instructions

before
installation or use.

Caring for the environment

Disposal of packing materials

The cardboard box and packing materials are biodegradable and recyclable. Please recycle.

Ensure that any plastic wrappings, bags, etc., are disposed of safely and kept out of the reach of babies and young children. Danger of suffocation!

Disposal of an old appliance

Old appliances contain materials that can be recycled. Please contact your local recycling center about the possibility of recycling these materials.

Before discarding an old appliance, disconnect it from the electrical supply and cut off the power cord to prevent it from becoming a hazard.

Have the appliance installed by a qualified technician, according to the enclosed installation instructions.

WARNING

This appliance is top-heavy and must be secured to prevent it from tipping forward.

Keep the door closed until the appliance is completely installed and secured as per the installation instructions.

Empty weight of your machine:

K 18X1 SF 476 lbs (216 kg)

K 19X1 SF 516 lbs (234 kg)

Installation site

The appliance should be installed in a dry, well-ventilated room.

Do not install the appliance:

- outdoors
- in an environment with dripping water
- in rooms that are at risk of frost.

The installation location should not be exposed to direct sunlight, nor near a heat source, such as an oven, radiator, etc.

The ambient temperature should not drop below 55°F (13°C) or rise above 110°F (43°C), otherwise malfunctions may occur.

If installation next to a heat source is unavoidable, use a suitable insulating plate or observe the following minimum distances from the heat source:

- 1 1/4" (3 cm) from an electric cooktop or oven.
- 12" (30 cm) from a gas cooktop or oven.

Installation

Base

A fully loaded appliance is very heavy. The load-bearing capacity of your floor must meet the following requirements:

K 18X1 SF 1,056 lbs (479 kg)

K 19X1 SF 1,254 lbs (569 kg)

To ensure that the appliance is installed securely and functions properly, the base must be flat, level and made of a hard, rigid material.

If in doubt, contact Miele.

Furniture/fixtures

The new appliance will be mounted securely to adjacent furniture/fixtures. For this reason, it is essential that all attachable furniture/fixtures be connected securely to the floor or wall by a suitable means.

Ventilation

The air intake and outlet must not be blocked or covered in any way. They also need to be dusted/cleaned on a regular basis.

Installation niche

To ensure safe, trouble-free installation and the best possible cosmetic result, check to be sure that the installation space complies with the installation dimensions. See "Niche dimensions".

The side walls of the installation cavity must be plumb.

The minimum thickness of the side walls and the top wall must be $\frac{5}{8}$ " (16 mm).

The minimum thickness of the toe-kick cover must be $\frac{1}{2}$ " (13 mm). A thickness of $\frac{3}{4}$ " (19 mm) is recommended.

Installation options

There are many different installation options. You are limited only by the design of the kitchen.

The door hinge cannot be exchanged.

Single column

The appliance can be installed at any preferred location in the kitchen.

However, be sure the door will open and close properly in the chosen location.

Side-by-side

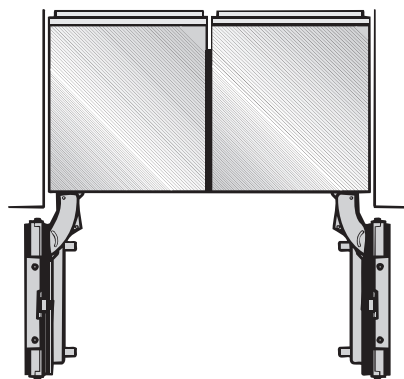
This appliance can be installed "side-by-side" with another fridge/freezer using a "Merging Kit".

The "Merging Kit" is available from Miele.

Contact Miele or your dealer for specific information about which combinations will work with your appliance.

For instructions on how to attach the appliances and install the heating mat, please refer to the instructions included with the "Merging Kit", available from Miele.

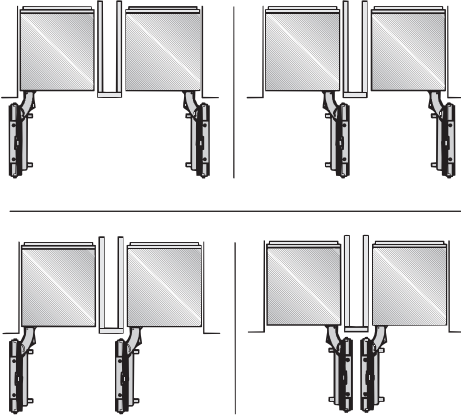
Appliances attached together using the "Merging Kit"



If the appliances are installed directly next to each other (without a partition), they need to be attached together using the "Merging Kit".

Installation

Installation with partition using the "Merging Kit"



The minimum thickness of the partition is $\frac{5}{8}$ " (16 mm).

If there is a partition with a thickness **from $\frac{5}{8}$ " (16 mm) to $6 \frac{5}{16}$ " (160 mm)** between the adjacent appliances, then each appliance should be individually installed within its own niche using the mounting accessories included. The "Merging Kit" will also be needed.

The "Merging Kit" is available from Miele.

Installation with partition without using the "Merging Kit"

If there is a partition with a thickness of **more than $6 \frac{5}{16}$ " (160 mm)** between the adjacent appliances, then each appliance should be individually installed within its own niche using the mounting accessories included (the "Merging Kit" is not necessary).

Side panels

If one side of the appliance is visible, a side panel must be used.

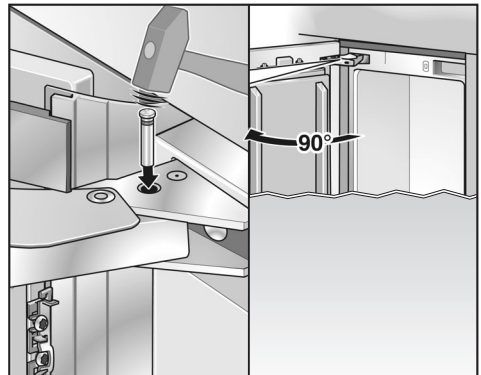
The side panel must be firmly secured to the wall, the floor and the overhead furniture/fixtures before the appliance is placed in the cavity.

The dimensions of the side panel are taken from the opposite wall of the installation space. During installation, ensure that the cavity is square and the measurements are correct.

Adjusting the door opening angle (optional accessory)

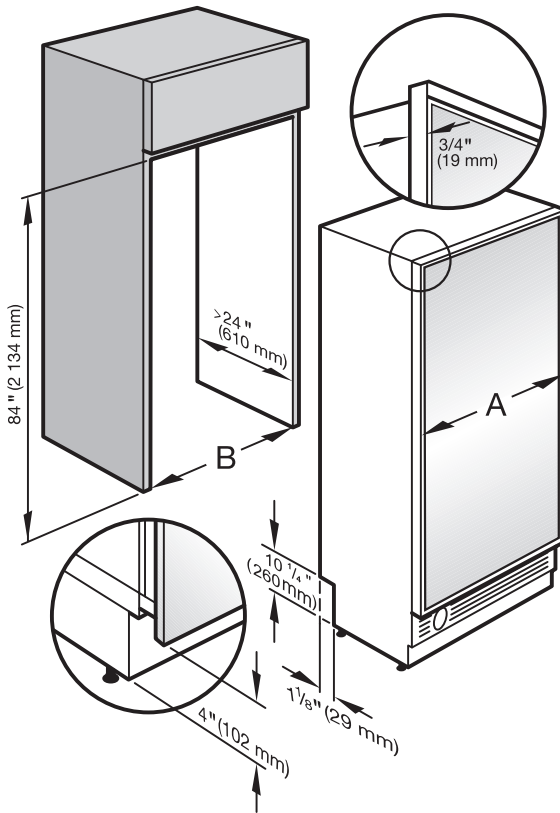
Depending on the installation site, it may be necessary to adjust the door opening angle to 90°.

- Open the door.



- Insert the banking pin through the holes and drive in with a hammer.

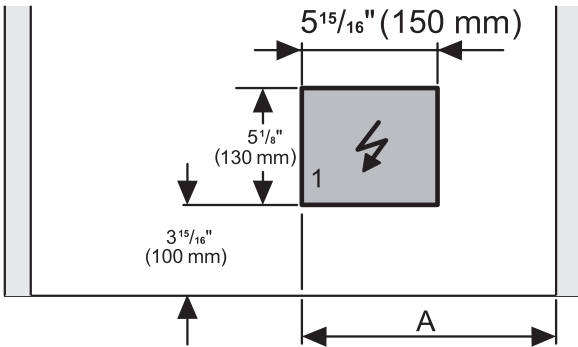
Niche dimensions



	A	B
K 18X1 SF	30 1/2" (774.6 mm)	30" (762 mm)
K 19X1 SF	36 1/2" (927 mm)	36" (915 mm)

Dimensions

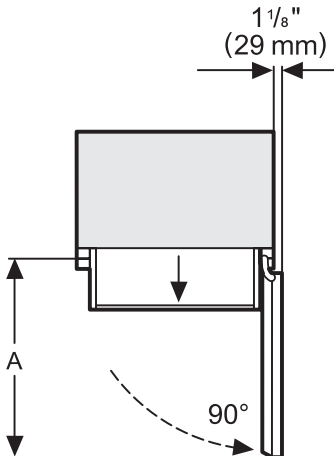
Power supply



1. Power supply

	A
K 18X1 SF	15" (381 mm)
K 19X1 SF	18" (458 mm)

Door dimensions (open min. 90°)



	A
K 18X1 SF	$32\frac{5}{8}$ " (829 mm)
K 19X1 SF	$38\frac{11}{16}$ " (982 mm)

Before you begin

Read these instructions completely and carefully.
Have the appliance installed by a qualified technician, according to the enclosed installation instructions.

To reduce the risk of injury or damage to the product, two people should be used for installation.

These installation instructions are intended for use by qualified installers. In addition to these instructions, the appliance must be installed in accordance with all local codes. In the absence of a local code, the following should be used:

- In the USA, the National Electric Code, ANSI/NFPA 70 - latest edition/State and Municipal codes and/or local codes.
- In Canada, the Canadian Electric code C22.1 - latest edition/Provincial and Municipal codes and/or local codes.

Tools needed for installation

- Cutter with adjustable blade
- Cordless screwdriver T 20
- Torx screwdriver T 20
- Hammer drill for drilling holes in wall or floor
- Wood drills in different sizes
- Hammer
- Open-ended wrench ½" (SW 13 mm)
- Box-end wrench
- 5/16" (8 mm) hex nut driver
- Adhesive tape
- Multi-grip pliers
- Level
- Metal tape measure
- Square

Other

- Stepladder
- Dolly, hand truck
- Wooden beam (cross section min. 3" x 4" [75 mm x 100 mm] as an alternative tilt protection, length depends on the width of the installation cavity)
- Wood screws in different sizes

Optional accessories

- "Merging Kit" for side-by-side installation
- RemoteVision module for wireless monitoring


Installing the appliance

Check the installation niche

To ensure a safe, trouble-free installation and the best possible cosmetic result, check to be sure that the installation space complies with the installation requirements.

- Check the base (see "Installation").
- Check the dimensions of the cavity.
- Check that the cavity is square.
- Check the location of the power outlet.
- Check that all furniture parts in the vicinity of the appliance are securely connected to the wall.
- Check that the adjacent furniture/fixtures do not collide with the open door.

Before installation

 Caution - the appliance is very heavy. Use caution when unpacking and opening the door, danger of tipping.

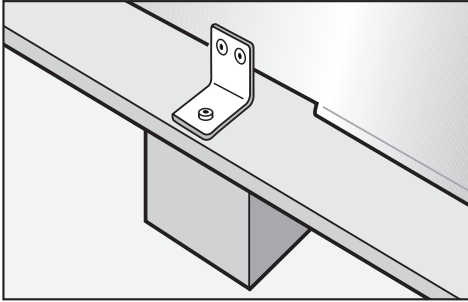
- To protect the base from damage during installation, attach a hard board, linoleum, etc., to the floor in front of the intended installation location.
- Take the supplied accessories out of the protective packaging.

There are transportation safety devices inside the appliance to protect the shelves and storage compartments until installation is complete. **Do not remove them**, or parts may be damaged.

- Check the appliance for damage in transit.

Do not install the appliance if it is visibly damaged. If in doubt, contact your dealer.

Installing the appliance



- Loosen the bracket that holds the appliance to the pallet.

⚠ Caution! The appliance is no longer secured and may be unstable.

- From the rear of the appliance carefully lift it from the pallet.

Once the appliance is on the ground it can be wheeled around.

RemoteVision module installation

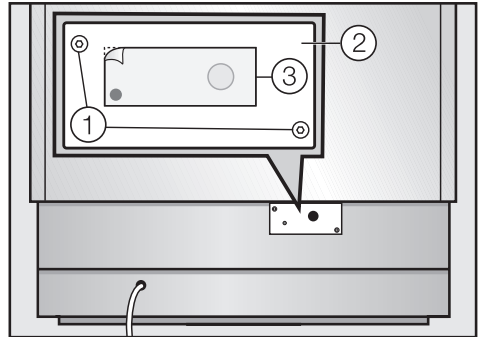
(optional accessory)

Always disconnect the appliance from the power supply when performing installation, maintenance or service work.

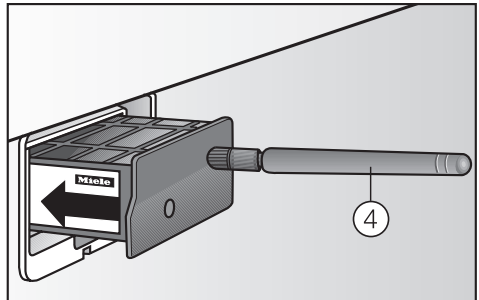
Install the RemoteVision module before placing the appliance in its installation niche.

Once connected the RemoteVision module will increase the energy consumption of the appliance.

The slot for the RemoteVision module is located in the lower area of the back of your appliance.



- Unscrew the screws ① on the cover ② and pull off the sticker ③.
- Remove the cover ②.



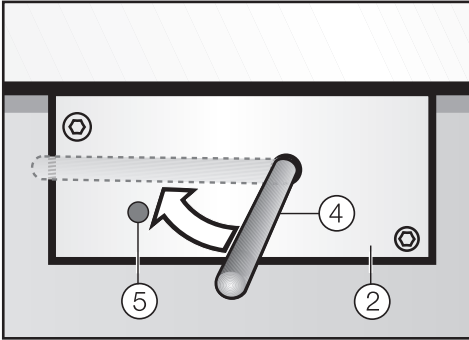
- Push the module into the slot until it locks into place.
- Connect the appliance to the power supply and turn it on. After several seconds the indicator light will come on.

The indicator light will display different colors one after the other; any control light at the end indicates that the module was correctly installed.

Installing the appliance

If the indicator light does not come on, installation of the module was unsuccessful. In that case, repeat the process. If that does not correct the problem, contact Miele.

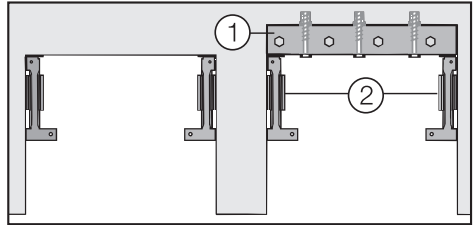
- Pull the antenna ④ straight out.



- Guide the cover ② over the antenna ④ and screw on the cover.
- Angle the antenna ④ so that it faces to the right or left.
- If necessary, disconnect the power supply and continue installing the appliance.

Preparing the installation niche

Keep the appliance door closed until it is securely fastened in the niche. Tipping hazard.



If the installation niche is deeper than the appliance, a solid wooden beam ① can be placed behind the anti-tip brackets ② so the appliance can be securely attached to the base or wall.

The length of the wooden beam ① should be to the width of the installation space.

If possible, always screw the wooden beam into existing studs.

Mounting Accessories

The mounting accessories needed for installing the appliance into the niche are included in the packaging. Several plastic bags are included which are numbered alphabetically.

The bag needed for each step will be marked with its respective letter.



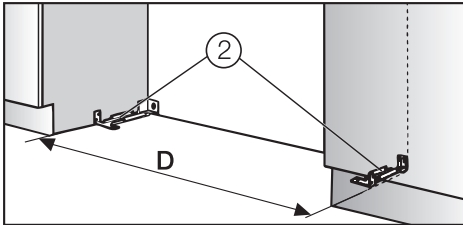
- Use the included Torx screwdriver to tighten the screws.

Installing the appliance

Anti-tip brackets

The anti-tip brackets help keep the appliance safely attached to the installation space, which helps prevent tipping.

Two anti-tip brackets are recommended for each appliance or appliance combination (side-by-side).

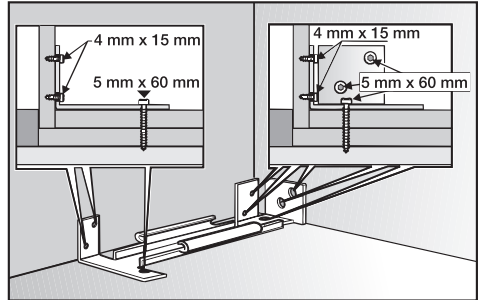


The distance "D" between the anti-tip brackets ② is the width of the appliance.



- Position the anti-tip brackets ② on the left and right walls of the appliance niche.
- Mark the holes through the anti-tip brackets ② on the floor of the installation niche.
- Set the brackets aside.

Assure that there are no electrical wires in the area which the screws could penetrate - risk of injury and damage.



- Drill pilot holes:

- $\frac{1}{8}$ " (3 mm) for the 5 x 60 mm wood screws
- $\frac{1}{16}$ " (2 mm) for the 4 x 15 mm wood screws.



- Tightly secure the anti-tip brackets in the niche.

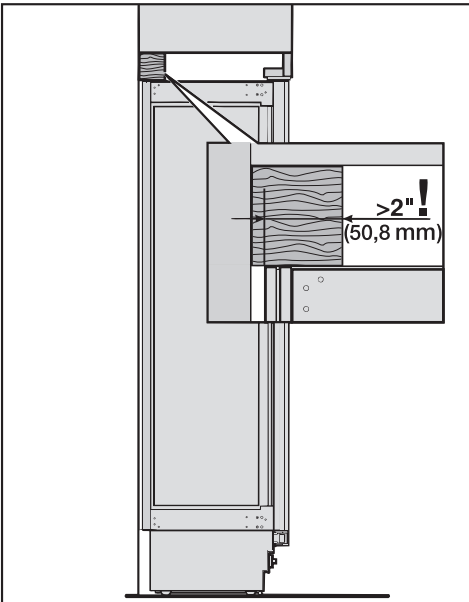
Be certain the screws penetrate through the flooring and into the wall plate a minimum of $\frac{3}{4}$ " (19 mm).

Installing the appliance

Securing an alternative anti-tip device

If the anti-tip brackets cannot be attached securely, an alternative anti-tip device can be used. Ensure that there is no "give" between the appliance and the anti-tip device.

If possible, always screw the wooden beam to existing studs.



- Cut a wooden beam (cross section min. 3" x 4" [75 mm x 100 mm] to the required length).

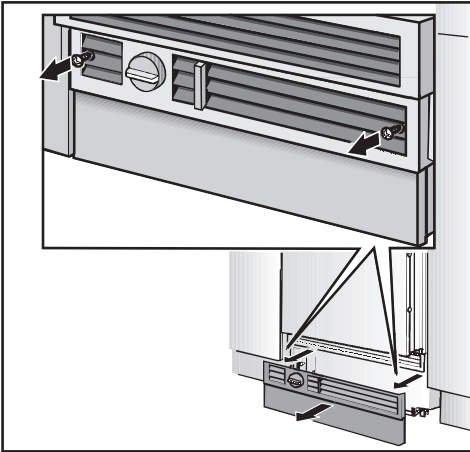
The length is equal to the width of the installation niche.

- If the installation niche is deeper than the appliance, select a beam with a larger cross section, or attach two beams.
- The beam must cover the appliance by at least 2" (50.8 mm).
- Mark the installation height (lower edge of the beam) on the rear wall of the niche.
- Select screws according to the thickness of the wooden beam. Example: 3 1/2" (89 mm) screw for 2x4 beam.
- Determine the number of screws based on the cavity width, to ensure that the beam will be attached securely.
- Locate wall studs near the rear wall of the cavity and mark drill holes in the beam.
- Pre-drill the wooden beam.
- Attach the wooden beam to the rear wall of the niche.

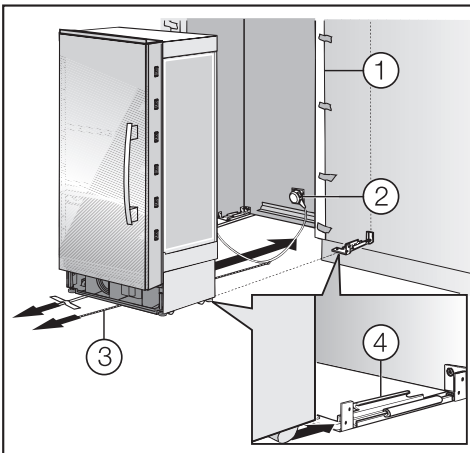
If a side-by-side installation is desired, connect the two appliances together. See the Installation Manual included with the "Merging Kit".

Installing the appliance

Sliding the appliance into the installation space



- Unscrew the plinth.



- To protect the corners of the installation space, attach the supplied edge protector ① on both sides with adhesive tape.
- Plug the appliance into the power outlet ②.

The plug of the appliance should be easily accessible after installation. If the plug is not accessible after the appliance has been installed, disconnection from the power supply should be completed via the circuit breaker.

In the case of side-by-side installations, a separate outlet must be used for each appliance.

- To prevent the power cord from becoming caught:
Tie a piece of string to the middle of the power cord and feed it forward under the appliance. When sliding the appliance in, pull the cable forward ③.
- Carefully slide the appliance into the space until the height-adjustable wheels interlock with the anti-tip brackets ④.

If resistance is felt when attempting to slide the appliance into the installation niche - for example, because the floor is uneven,

- Turn the rear adjustable wheels slightly outward (see "Aligning the appliance"), then push the appliance in.

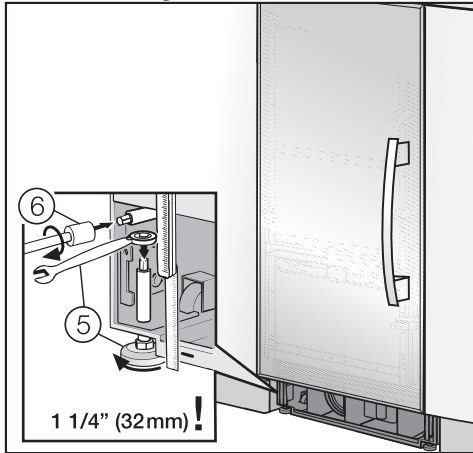
Be careful not to damage the power cord attached to the floor.

- Remove the edge protector ①.

Installing the appliance

Aligning the appliance

- Align the appliance with the surrounding cabinets.

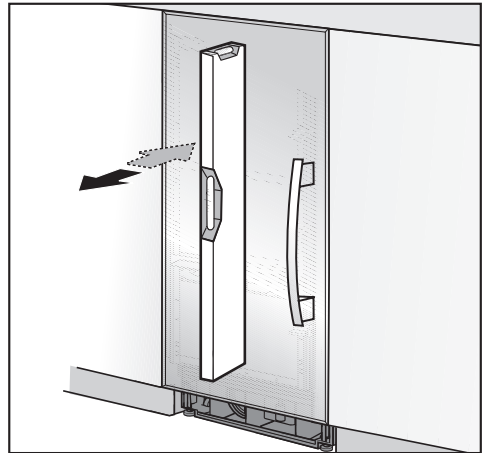


The height-adjustable feet at the front and rear can all be adjusted from the front.

- Front: with an open-ended wrench $\frac{1}{2}$ " (SW 13).
The feet can be adjusted from the top and bottom (5).
- Rear: with a $\frac{5}{16}$ " (8 mm) hex nut driver via flexible shaft (6).

A mark is located on the appliance base and is used as a standard gauge for height adjustment. When adjusting the height, align this mark at $1 \frac{1}{4}$ " (32 mm) above the floor.

- Unscrew the height-adjustable feet until the mark on the base has reached the indicated guide dimension $1 \frac{1}{4}$ " (32 mm).



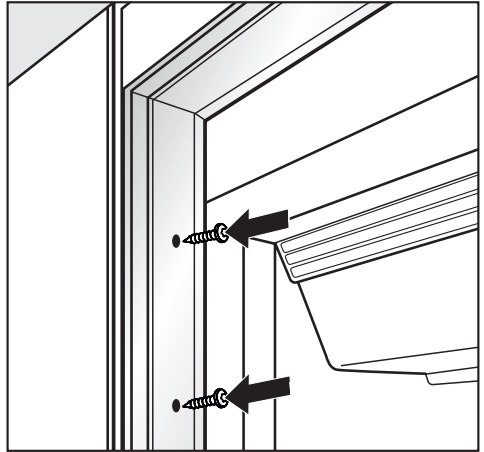
- Check that the appliance is level with the surrounding cabinets.

Installing the appliance

Note:

- Do not twist or jam the appliance inside the niche. When unscrewing the height-adjustable feet, proceed gradually, alternating between left and right.
- The adjustment of the rear feet is aided if the appliance is lifted at the rear (tipped forward slightly).
- If using a wooden beam as an alternative anti-tip device, rotate the appliance all the way toward the wooden beam.
- Do not use a power tool to adjust the rear feet!

Attaching the appliance to the installation niche



- Open the appliance doors.



- Fasten the appliance on the left and right hand sides with the 3 (supplied) wood screws.

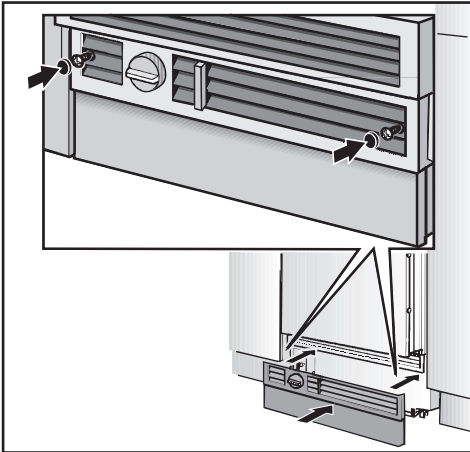
If there is a fairly large gap above the appliance, cut a wooden beam to fit exactly and place it in the gap.

Installing the appliance

Attaching the toe-kick cover

The maximum height of the toe-kick cover is 4" (101 mm) from the top of the floor. Do not cover the ventilation slits in the plinth. Risk of damage to the appliance.

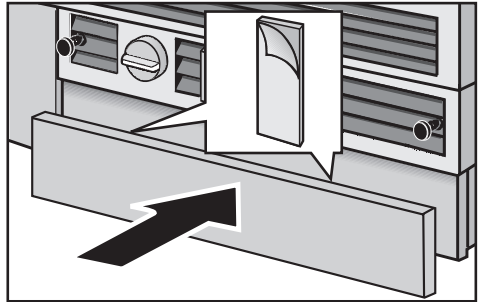
- If required, cut the toe-kick cover to the required length and height.



- Attach the plinth to the appliance.



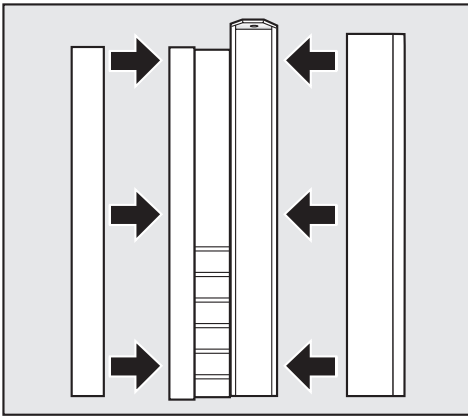
- Put the included cover plates in place.



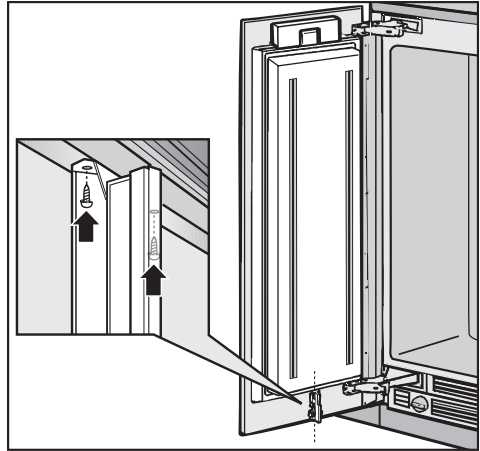
- Remove the foil from the adhesive strips.
- Attach the toe-kick cover to the plinth.

Mounting the air separator

The air separator keeps the supply and exhaust air separate. This prevents warm exhaust air from flowing into the machine, optimizing the energy performance of the unit.



- If necessary, shorten the three parts of the air separator.
- Insert the foam pieces back into the sides.



- Position the air separator in the center of the appliance door.
- From below, screw the air separator firmly onto the door with the 2 screws.

Electrical connection



Avoid the risk of electrical shock

- Plug into a grounded 3-prong outlet.
- Do not move the ground plug.
- Do not use an adapter.
- Do not use an extension cord.

Failure to follow these instructions can result in death, fire, or electrical shock.

Improper connection of the equipment grounding conductor may result in electric shock. If you are in any doubt as to whether the appliance has been properly grounded, have the appliance checked by a qualified electrician or service technician.

Installation, repairs and other work by unqualified persons could be dangerous.

Before installing the appliance, verify that the voltage, load and circuit rating information found on the data plate match the household electrical supply.

The appliance is supplied with a UL-listed, 3-wire power cord and NEMA 5-15 P plug ready for connection to a 120 V, 60 Hz supply. The fuse rating is 15 amps.

The appliance requires a 3-wire receptacle.

The receptacle must be installed by a licensed electrician only.

In the case of side-by-side installations, a separate outlet must be used for each appliance. Ideally, the power outlet should be next to the appliance and easily accessible. Do not connect the appliance to the power supply by an extension cord. Extension cords do not guarantee the required safety of the appliance (danger of overheating).

If any changes are needed to the household wiring or power supply, this work must be performed by a qualified electrician.

If there are any questions regarding the electrical connection of this appliance to the power supply, please consult a licensed electrician or call the Miele Technical Service.

 1-800-999-1360

 1-800-565-6435

RemoteVision (optional accessory)

Miele's RemoteVision Wi-Fi technology creates a 'virtual link' between your appliance and our monitoring center. If a fault occurs, Miele's client service center will be notified and contact you, or another trusted individual identified on your call roster, in order to gain access to your appliance to fix the problem.

For information on set-up and installation of the RemoteVision module see the "Installation" section of this manual.

Be sure your wireless system meets the following requirements

- A wireless router that supports an IEEE 802.11b protocol
- Windows XP® or newer operating system, Mac® OS X 10.3 or higher
- Cable or DSL modem
- Microsoft® Internet Explorer 6 or higher, Safari 2.0 or higher, Firefox 1.5 or higher

* Please note that each wireless router manufacturer supplies their own device drivers and setup programs. Due to the differences in manufacturers, exact router setup instructions are not included in this manual. Wording and instructions may vary.

RemoteVision (optional accessory)

Accessing the RemoteVision control panel

- Touch the access button "🔑" so it turns yellow.



- Touch the sensor button for the refrigerator section so it turns yellow.
- Note the position of the ∨ button, but do not touch.
- Touch the access button "🔑" again so it turns white.

Only the access button "🔑" is visible.

- Place one finger on the position of the ∨ button and hold (the ∨ button will not be visible).
- While holding down the ∨ button, press the access button "🔑" once. Keep holding the ∨ button down until the following appears in the display (approx. 5 seconds).



Access to the Custom settings mode is now active for approximately 10 seconds.

- Tap the ∨ button until r appears in the display.
- Touch the access button "🔑" to confirm.

See the table on the following page for a description of each setting in the display.

- Use the ^ or ∨ buttons to select the RemoteVision options.

The module has been connected to the network when r E appears in the display.

If r E does not appear, refer to the "Network options" section of the XKM 2000 Installation Instruction manual.

- Press and hold the access button "🔑" for 2 seconds to confirm the change.
- To return to the main menu, tap the ∨ button until a solid r - appears in the display.
- Press the access button "🔑" to confirm.
- Tap the ∨ button until a c appears in the display.
- Touch the access button "🔑".

You have left the Custom settings mode.

When you are in the Custom settings mode the door alarm is turned off automatically. Once the door is closed it is reactivated.

RemoteVision (optional accessory)

MasterCool control panel options for RemoteVision

Status indicators	Description of function
Flashing $r _$	Module booting phase
Flashing $r \sim$	Not connected to network
Flashing $r \equiv$	Connection to network established, no IP address assigned
Solid $r \equiv$	Connected to network
Flashing $r \equiv$	In Ad-Hoc Mode, not connected
Flashing $r \sim$	In Ad-Hoc Mode, connected

Selectable options	Description of function
$r _$	Back
$r 2$	Reboot the module
$r 3$	Reset to factory settings
$r 4$	Enter Ad-Hoc Mode

Note: If you cannot select any option (other than $r _$ - "Back", the module has not been installed correctly.

Please have the model and serial number of your appliance available before contacting Technical Service.



U.S.A. Miele, Inc.

National Headquarters

9 Independence Way
Princeton, NJ 08540
Phone: 800-843-7231
609-419-9898
Fax: 609-419-4298
www.miele.com

Technical Service & Support Nationwide

Phone: 800-999-1360
Fax: 888-586-8056

TechnicalService@mieleusa.com

Canada Miele Limited

Headquarters and Showroom

161 Four Valley Drive
Vaughan, ON L4K 4V8
Phone: 800-643-5381
905-660-9936
Fax: 905-532-2290
www.miele.ca
info@miele.ca (general enquiries)
professional@miele.ca (commercial enquiries)

MieleCare National Service

Phone: 800-565-6435
905-532-2272
Fax: 905-532-2292
customercare@miele.ca (technical enquiries)

Alteration rights reserved / 4209

M.-Nr. 07 682 390 / 02

K 1801 SF, K 1811 SF, K 1901 SF, K 1911 SF

CE For the most updated manual see the Miele web site.

Free Manuals Download Website

<http://myh66.com>

<http://usermanuals.us>

<http://www.somanuals.com>

<http://www.4manuals.cc>

<http://www.manual-lib.com>

<http://www.404manual.com>

<http://www.luxmanual.com>

<http://aubethermostatmanual.com>

Golf course search by state

<http://golfingnear.com>

Email search by domain

<http://emailbydomain.com>

Auto manuals search

<http://auto.somanuals.com>

TV manuals search

<http://tv.somanuals.com>