

Miele

Operating and installation instructions



Refrigerator with MasterFresh zone K 1801 Vi, K 1811 Vi K 1901 Vi, K 1911 Vi

To avoid the risk of accidents or damage to the appliance, it is **essential** to read these instructions before it is installed and used for the first time.

en - GB, HK

M.-Nr. 09 169 990

Contents

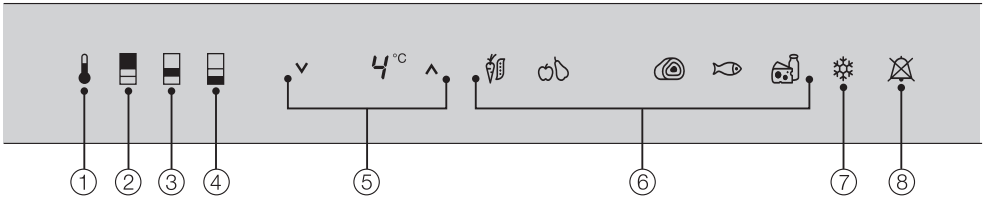
Description of the appliance	5
Caring for the environment	7
Warning and Safety instructions	8
How to save energy	13
Switching on and off	14
Switching the appliance on	14
Operation	14
Switching off	15
Settings mode	16
Switching off for longer periods of time	17
The correct temperature	18
. . . in the refrigerator and the MasterFresh drawers	18
Dynamic cooling	18
Setting the temperature in the refrigerator	18
Temperature range	19
Temperature (Fahrenheit/Celsius)	19
Temperature display	20
Temperature and door alarm	21
Super cool	23
Storing food in the refrigerator section	24
Different storage zones	24
Food which is not suitable for storing in a refrigerator	25
When shopping for food	25
Storing food correctly	25
Unpacked meat and vegetables	25
Storing food in the MasterFresh zone	26
Storage temperature	26
Humidity level	26
Storing food in the MasterFresh drawers	26
Arranging the interior fittings	30
Moving the shelves	30
Fully extendable drawer	30
The MasterFresh drawers	30
Adjusting the door shelves/bottle shelf	31
Automatic defrost	33

Cleaning and care	34
Before cleaning	34
Cleaning the interior and accessories	34
Humidity filters	35
Ventilation gaps	36
Door seal	36
Problem solving guide	37
Noises	40
After Sales / Guarantee	41
Electrical connection	42
Installation advice	43
Location	43
Floor	44
Door hinging	44
Adjoining furniture/units	44
Ventilation	45
Side-by-side installation	45
To limit the opening angle of the door	46
Appliance door dimensions (opening angle 90°)	47
Appliance door dimensions (opening angle 115°)	47
Building-in dimensions	48
Installation	50
Tools and accessories required	50
Weight of the door front	51
Building into a peninsular run	51
Building-in at the end of a run of units	51
Aligning the housing unit	52
Checking the building-in niche	52
Before installation	52
Preparing the niche	53
Installation accessories	53
Anti-tipping mechanism	54
An alternative anti-tipping mechanism	56
Placing the appliance in the niche	57
Aligning the appliance	58
Securing the appliance in the niche	59

Contents

Preparing the furniture front.	61
Securing and aligning the furniture door.	63
Securing the covers.	64
Fitting the plinth facing	65
Fitting the air separator	66

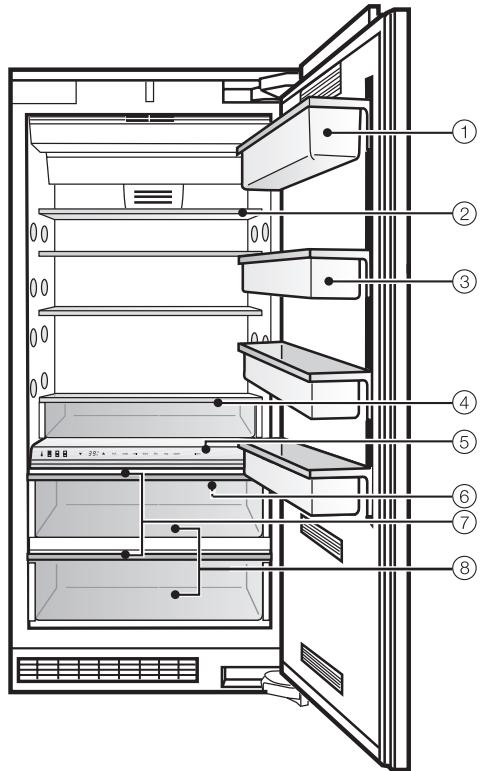
Description of the appliance



- ① Access sensor
- ② Sensor for selecting the refrigerator zone
- ③ Sensor for selecting the upper MasterFresh drawer
- ④ Sensor for selecting the lower MasterFresh drawer
- ⑤ Sensor for selecting the temperature in the refrigerator zone (V for colder; ^ for warmer)
- ⑥ Symbols for foods that require a moist atmosphere in the MasterFresh drawer (left: High humidity; right: Low humidity)
- ⑦ On/Off sensor for the Super cool function
- ⑧ Sensor for switching off the temperature or door alarm (only visible when the alarm is sounding)

Description of the appliance

- ① Butter and cheese compartment
- ② Adjustable shelves
- ③ Door shelves
- ④ Fully extendable drawer
- ⑤ Control panel
- ⑥ Rocker switch for switching the whole appliance on and off
- ⑦ Humidity filters for the MasterFresh drawers
- ⑧ MasterFresh drawers



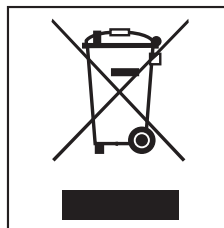
Disposal of the packing material

The transport and protective packing has been selected from materials which are environmentally friendly for disposal, and should be recycled.

Ensure that any plastic wrappings, bags etc. are disposed of safely and kept out of the reach of babies and young children. Danger of suffocation!

Disposal of your old appliance

Electrical and electronic appliances often contain materials which, if handled or disposed of incorrectly, could be potentially hazardous to human health and to the environment. They are, however, essential for the correct functioning of your appliance. Please do not therefore dispose of it with your household waste.



Please dispose of it at your local community waste collection / recycling centre or contact your dealer for advice. Ensure that it presents no danger to children while being stored for disposal.

Take care not to damage the pipework at the back of it before or during transportation to an authorised collection depot.

In this way, refrigerant in the pipework and oil in the compressor will be contained, and will not leak out into the environment.

Warning and Safety instructions

This appliance complies with all relevant safety requirements. Improper use can, however, present a risk of both personal injury and material damage.

To avoid the risk of accidents and damage to the appliance, please read these instructions carefully before installation and before using it for the first time. They contain important notes on installation, safety, operation and maintenance.

Keep these instructions in a safe place and pass them on to any future owner.

Warning!

This appliance is very heavy and can tip forwards when the door is open. Keep the appliance door shut until the appliance has been built in and secured in its housing in accordance with these operating and installation instructions.

Correct application

► This appliance is not designed for commercial use. It is intended for use in domestic households and in similar working and residential environments such as:

- Shops
- Offices and showrooms

and by residents in establishments such as:

- Hostels and guest houses.

This appliance is not intended for outdoor use.

This appliance is intended for domestic use only for the cool storage of food and drink.

Any other usage is not supported by the manufacturer and could be dangerous. Miele cannot be held liable for damage resulting from incorrect or improper use or operation of the appliance.

► This appliance can only be used by people with reduced physical, sensory or mental capabilities, or lack of experience and knowledge, if they are supervised whilst using it, or have been shown how to use it in a safe way and understand the hazards involved.

Warning and Safety instructions

Safety with children

- ▶ Children 8 years and older may use the appliance only if they have been shown how to use it in a safe way and understand the hazards involved.
- ▶ Children under 8 years of age must be kept away from the appliance unless they are constantly supervised.
- ▶ This appliance is not a toy! To prevent the risk of injury, do not allow children to play with the appliance, for example to climb inside the drawers or to swing on the door.
- ▶ The door hinges can cause injury. Keep children well away at all times.

Technical safety

- ▶ Before setting up the appliance, check it for any externally visible damage. Do not install and use a damaged appliance. A damaged appliance may be dangerous.
- ▶ If the connection cable is faulty it must only be replaced by a service technician authorised by the manufacturer to protect the user from danger.



R600a

- ▶ This appliance contains the coolant Isobutane (R600a), a natural gas which is environmentally friendly. Although it is flammable, it does not damage the ozone layer and does not increase the greenhouse effect. The use of this coolant has, however, led to a slight increase in the noise level of the appliance. In addition to the noise of the compressor, you might be able to hear the coolant flowing around the system. This is unavoidable, and does not have any adverse effect on the performance of the appliance. Care must be taken during the transportation and installation of the appliance that no parts of the cooling system are damaged. Leaking refrigerant can damage the eyes. In the event of any damage:
 - avoid any flames or anything which creates a spark,
 - disconnect it from the mains,
 - ventilate the room where the appliance is located for several minutes, and
 - contact the Service Department for advice.

Warning and Safety instructions

- ▶ The more coolant there is in an appliance, the larger the room it should be installed in. In the event of a leakage, if the appliance is in a small room, there is the danger of combustible gases building up. For every 8 g of coolant at least 1 m³ of room space is required. The amount of coolant in the appliance is stated on the data plate inside the appliance.
- ▶ Safe operation of the appliance is only assured if it has been installed and connected in accordance with these operating and installation instructions.
- ▶ Before connecting the appliance, make sure that the connection data on the data plate (voltage and frequency) matches the mains electricity supply. This data must correspond in order to avoid the risk of damage to the appliance. Consult a qualified electrician if in any doubt.
- ▶ Do not connect the appliance to the mains electricity supply by a multi-socket adapter or an extension lead. These do not guarantee the required safety of the appliance (e.g. danger of overheating).
- ▶ The electrical safety of this appliance can only be guaranteed when it is correctly earthed. It is most important that this basic safety requirement is observed and regularly tested and where there is any doubt, the household wiring system should be inspected by a qualified electrician. The manufacturer cannot be held liable for damage or injury caused by the lack of or inadequacy of an effective earthing system (e.g. electric shock).
- ▶ Installation, maintenance and repairs may only be carried out by a suitably qualified and competent person in strict accordance with current national and local safety regulations. Repairs and other work by unqualified persons could be dangerous. The manufacturer cannot be held liable for unauthorised work.
- ▶ While the appliance is under guarantee, repairs should only be undertaken by a service technician authorised by the manufacturer. Otherwise the guarantee will be invalidated.
- ▶ The appliance must be isolated from the electricity supply during installation, maintenance and repair work.
- ▶ Faulty components must only be replaced by genuine Miele original spare parts. The manufacturer can only guarantee the safety of the appliance when Miele replacement parts are used.
- ▶ This appliance must not be used in a non-stationary location (e.g. on a ship).
- ▶ In areas which may be subject to infestation by cockroaches or other vermin, pay particular attention to keeping the appliance and its surroundings clean at all times. Any damage caused by cockroaches or other vermin will not be covered by the guarantee.

Warning and Safety instructions

Correct use

▶ Do not operate any electrical equipment (e.g. an electric ice-cream maker) inside the appliance. Danger of sparks and explosion.

▶ Do not store explosive materials in the appliance or any products containing propellants (e.g. spray cans). Thermostats switching on may produce sparks which could present a fire hazard. Flammable compounds could explode.

▶ Observe the "use-by" dates given on food to avoid the risk of food poisoning. Storage times will depend on several factors, including the freshness and quality of the food as well as the temperature at which it is stored. Follow the instructions given on the food manufacturer's packaging regarding storage conditions and "use-by" dates.

▶ Do not use sharp edged objects to

- remove frost and ice,
- separate frozen foods or remove ice trays.

They will damage the evaporator, causing irreversible damage to the appliance.

▶ Do not use defrosting sprays or de-icers, as they might contain substances which could damage the plastic parts or which could cause a build-up of gases and pose a danger to health.

▶ Never use a steam-cleaning appliance to defrost or clean this appliance. Steam could reach the electrical components and cause a short circuit.

▶ If storing alcohol with a high percentage proof, make sure it is tightly closed and stored upright. Danger of explosion.

▶ Do not use any oils or grease on the door seal, as these will cause the seal to deteriorate and become porous with time.

▶ If storing food which contains a lot of fat or oil, make sure that it does not come into contact with plastic components as this could cause stress cracks.

▶ Do not cover or block the air vents as this could impair the efficiency of the appliance, increase the electricity consumption and could cause damage to the appliance.

▶ This appliance is designed for use within certain climate ranges (ambient temperatures), and should not be used outside this range. The climate range for your appliance is stated on the data plate inside the appliance. Installing it in a room with too low an ambient temperature, e.g. a garage, can lead to the appliance switching off for longer periods so that it cannot maintain the required temperature.

Warning and Safety instructions

Disposal of your old appliance

▶ Before disposing of an old appliance, first make the door latches or locks unusable.

This way you will prevent children from accidentally locking themselves in and endangering their lives.

▶ Be careful not to damage any part of the pipework whilst awaiting disposal, e.g. by

- puncturing the refrigerant channels in the evaporator.
- bending any pipework.
- scratching the surface coating.

Splashes of refrigerant can damage the eyes.

The manufacturer cannot be held liable for damage caused by non-compliance with these Warning and Safety instructions.

How to save energy

	Normal energy consumption	Increased energy consumption
Installation site	In a ventilated room.	In an enclosed, unventilated room.
	Protected from direct sunlight.	In direct sunlight.
	Not near to a heat source (radiator, oven).	Near to a heat source (radiator, oven).
	Where the ideal ambient room temperature is approx. 20°C.	Where there is a high ambient room temperature.
	Do not cover the ventilation gaps and dust them regularly.	
Temperature setting with a thermostat which is approximate (set in stages).	With a medium setting of 2 to 3.	With a high setting: the lower the temperature in the compartment, the higher the energy consumption.
Temperature setting with a thermostat which is exact to the degree (digital display).	Larder section 8 to 12 °C	On appliances with winter setting, please make sure that the winter setting is switched off when the ambient temperature is warmer than 16 °C .
	Refrigerator section 4 to 5 °C	
	PerfectFresh zone just above 0 °C	
	Freezer section -18 °C	
	Wine storage section 10 to 12 °C	
Use	Drawers, shelves and racks arranged as they were when the appliance was delivered.	
	Only open the door when necessary and for as short a time as possible.	Frequent opening of the door for long periods will cause a loss of coldness.
	Store food in an organised way.	Searching for an item will mean the door is open for longer.
	Allow hot food and drinks to cool down before placing them in the appliance.	Hot food will cause the compressor to run for a long time, as the appliance will have to work harder to reduce the temperature.
	Store food covered or packaged.	The evaporation or condensation of liquids will cause a loss of coldness in the refrigerator.
	Place frozen food in the refrigerator to defrost.	
	Do not over-fill the appliance to allow air to circulate.	
Defrosting	Defrost the freezer section when a layer of ice 0.5 cm thick has built up.	A layer of ice hinders the cold from reaching the frozen food, and increases energy consumption.

Switching on and off

Before using for the first time

- Clean the inside of the appliance and the accessories with lukewarm water and a little washing up liquid, and then dry with a soft cloth.

Important:

To ensure the correct functioning of the appliance, let it stand for approx. 1 1/2 - 2 hours, or for approx. 8 hours if it has been transported on its side to its final location before connecting it to the mains.

To enable the temperature to get sufficiently cold inside the appliance, allow the appliance to run for a few hours before placing food in it.

Please note: Switching the appliance off with the rocker switch does not disconnect the appliance from the mains.

Switching the appliance on

- Open the appliance door.



- Press the rocker switch on the right side underneath the control panel.

This switches all of the zones in the appliance on or off together.

The appliance will start to cool, and the interior lighting will come on when the door is opened.



The access sensor in the control panel will also light up.

Operation

A light touch of the finger on the sensors is all that is required to operate this appliance.

Please note:

- A sensor which is **available** for selection is always highlighted in **white**.
- A sensor which has been **selected** is always highlighted in **yellow**.



- Touch the access sensor so that it is highlighted in yellow.



The sensors for the three zones in the appliance will now appear in the control panel: refrigerator zone, upper MasterFresh drawer and lower MasterFresh drawer.

Switching on and off

To select settings for your appliance (e.g. to set the temperature, etc),



- touch the sensor for the particular zone of the appliance where you would like to select the settings.

The applicable sensor will then be highlighted in yellow, and depending on the zone, further settings which may be selected will now appear in the display.

Depending on which zone you have selected, you can

- adjust the temperature, or
- select the Super cool function, or
- adjust the humidity levels for the MasterFresh drawers.

Please refer to the relevant section for more information.

To deselect a zone



- touch the sensor of the selected zone again so that it is highlighted in white, or select a different sensor.

To finish selecting settings,

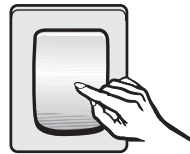


- touch the access sensor so that it is highlighted in white.

Your last selected settings will now be saved to memory.

If you do not touch the access sensor, the electronics for accessing the settings will switch off after a period.

Switching off



- Press the rocker switch on the right-hand side underneath the control panel.

The cooling system and the lighting are now switched off.

Switching on and off

Settings mode

You can select further settings in settings mode and you can also select certain appliance functions via the control panel and adjust the settings. The settings for the different functions are described in more detail in the relevant section of these instructions.

Overview of functions that can be selected in settings mode:

Function	Symbol
To enter or leave settings mode	<i>c</i>
To select the temperature unit (see "The correct temperature")	<i>t</i>
No function selected	<i>r</i>
To switch the sensor tone on/off (see "Switching on and off")	<i>b</i>

Switching the sensor tone on/off

The tone which sounds each time a sensor is touched can be deactivated.



- Touch the access sensor to highlight it in yellow.



- Touch the sensor for the refrigerator zone so that it is highlighted in yellow.
- Take note of the position of the √ sensor (but do not touch it!).
- Touch the access sensor until it is highlighted in white and all of the other sensors are no longer lit up.
- Place your finger in the position of the √ sensor, and leave it there.
- At the same time, briefly touch the access sensor (without moving your finger from the √ sensor).

- Leave your finger on the √ sensor for another 4 seconds until c and the ^ sensor also appear in the display.



- Now touch the √ sensor repeatedly until b appears in the display.
- Touch the access sensor again.
- By touching the √ sensor, you can now select whether the sensor tone is switched on or off:
 - b 0: Sensor tone switched off
 - b 1: Sensor tone switched on
 - b -: Return to menu
- After selecting a new setting, touch the access sensor to confirm your choice.
- Touch the √ sensor repeatedly until c appears in the display.



- Touch the access sensor.

You have now left settings mode.

The door alarm is automatically disabled when the appliance is in settings mode. As soon as the door is closed, the door alarm is activated again.

Switching off for longer periods of time

If the appliance is not going to be used for a longer period of time, e.g. whilst on holiday:

- switch the appliance off,
- disconnect it from the mains,
- clean the appliance out and
- leave the door ajar to air the appliance.

If, during a long absence, the appliance is switched off but not cleaned out and the door is left shut, there is a danger of mould and odours building up inside the appliance.

The correct temperature

It is very important to set the correct temperature for storing food in the appliance. Micro-organisms will cause food which is not stored at the correct temperature to deteriorate rapidly. Temperature influences the growth rate of these micro-organisms. Reducing the temperature reduces their growth rate.

The temperature in the appliance will rise:

- the more often the door is opened and the longer it is kept open,
 - the more food that is stored in it,
 - the warmer the food is which is being put into it,
 - the higher the ambient temperature surrounding the appliance.
- The appliance is designed for use in specific ambient temperatures (climate ranges). Do not use in ambient temperatures for which it is not designed.

... in the refrigerator and the MasterFresh drawers

We recommend a temperature of **4 °C** in the refrigerator.

The temperature in the MasterFresh drawers is controlled automatically and is maintained at **1.5 °C**.

Dynamic cooling

The dynamic cooling fan automatically switches on when the cooling system for the refrigerator switches on. It distributes the temperature in the appliance to all areas more evenly so that all the food will be chilled to about the same degree.

Setting the temperature in the refrigerator



- Touch the access sensor so that it is highlighted in yellow.



- Touch the sensor for the refrigerator zone so that it is highlighted in yellow.
- The temperature inside the appliance can be selected by touching the arrow sensors on either side of the temperature display.

By touching the



- ∨ sensor: the temperature will get colder
- ∧ sensor: the temperature will get warmer.

The temperature range being set will flash in the display as you do this.

The correct temperature

- Touching the sensor once: adjusts the temperature shown in 1 °C steps.
- Keeping your finger on the sensor: changes the temperature continuously.

If the highest or lowest temperature that it is possible to set is reached, the √ or ∧ sensor will disappear from the display.

The temperature display on the control panel always shows the **required** temperature.

When you have adjusted the temperature, **wait for approx. 6 hours if the appliance is not very full** and **for approx. 24 hours if the appliance is full** before checking the temperature, as it will take this long for the appliance to reach the temperature. If, after this time, the temperature is still too high or too low, you will need to adjust it again.

Temperature range

The temperature can be adjusted:

- In the refrigerator section from 2 °C to 8 °C

The ambient temperature in the room and the installation location can affect the time it takes for the appliance to reach the lowest temperature. If the ambient temperature is too high, the appliance may not reach the lowest temperature.

Temperature (Fahrenheit/Celsius)

The temperature can be displayed in degrees Celsius or degrees Fahrenheit.



- Touch the access sensor so that it is highlighted in yellow.



- Touch the sensor for the refrigerator zone so that it is highlighted in yellow.
- Take note of the position of the √ sensor (but do not touch it!).
- Touch the access sensor until it is highlighted in white and all of the other sensors are no longer lit up.
- Place your finger in the position of the √ sensor, and leave it there.
- At the same time, briefly touch the access sensor (without letting go of the √ sensor).
- Leave your finger on the √ sensor for another 4 seconds until ⏏ and the ∧ sensor also appear in the display.

The correct temperature



- Now touch the ∇ sensor repeatedly until F appears in the display.
- Touch the access sensor again.
- By touching the ∇ sensor, you can now set the temperature to be displayed in Fahrenheit or Celsius.
 F \square : Temperature in Fahrenheit
 F \uparrow : Temperature in Celsius
 F $-$: Return to menu
- After selecting a new setting, touch the access sensor to confirm your choice.
- Now touch the ∇ sensor repeatedly until \square appears in the display.



- Touch the access sensor again.

You have now left settings mode.

The door alarm is automatically disabled when the appliance is in settings mode. As soon as the door is closed, the door alarm is activated again.

Temperature display

The temperature display on the control panel always shows the **required** temperature.

- The **temperature display will flash** if
- a different temperature is being set,
 - the temperature in the appliance has risen by several degrees, indicating that the appliance is warming up too much.

This loss of coldness is no cause for concern if it is due to the door being left open for a while, e.g. for removing or storing a large amount of food.

Your appliance has been fitted with a warning system which ensures that the temperature in the appliance cannot rise unnoticed and to avoid energy being wasted if the door is left open.

Activating the alarm system

The alarm system is always active. It does not have to be switched on manually.

Temperature alarm

If the temperature in one of the zones gets too warm, the sensor for the zone concerned will flash in the control panel.

The sensor for switching the temperature or door alarm off will flash at the same time.

An audible alarm will also sound.

The alarm will sound and the relevant symbols will flash, for example,

- if the appliance door has been left open for a while, e.g. in order to load, re-arrange or take food out.
- when storing large amounts of food at once.
- in the event of a power cut.

The alarm will stop and the sensor for switching the temperature or door alarm off will go out as soon as the temperature is at the correct level. The sensor for the zone concerned will light up again constantly.

Switching the temperature alarm off early

If the noise disturbs you, you can switch the alarm off early if you wish.



- Touch the sensor for switching off the temperature or door alarm. The alarm will stop. The sensor for switching off the temperature or door alarm will continue to be lit up until the temperature is at the correct level. The sensor for the zone concerned will continue to flash until the temperature is at the correct level.

Door alarm

The alarm will sound if the door is left open for more than 5 minutes. The sensor for switching the temperature or door alarm off will also light up.

The alarm will stop and the sensor for switching the temperature or door alarm off will go out as soon as the door is closed.

Temperature and door alarm

Switching the door alarm off early

If the noise disturbs you, you can switch the alarm off early if you wish.



- Touch the sensor for switching the temperature or door alarm off.

The alarm will stop and the sensor for switching the temperature or door alarm off will go out.

The Super cool function can be used to rapidly reduce the temperature in the refrigerator to its lowest setting (depending on the room temperature).

Switching on Super cool

Super cool is particularly recommended for the faster chilling of large amounts of fresh food or drink.



- Touch the sensor for the refrigerator zone so that it is highlighted in yellow.



- Touch the Super cool sensor so that it is highlighted in yellow.

The appliance will now operate at full power to lower the temperature in the refrigerator zone, and the newly set temperature of 2°C will show in the temperature display.

Switching off Super cool

The Super cool function will switch itself off automatically after approx. 6 hours. The sensor is highlighted in white and the appliance continues running at normal power.

To save energy, the Super cool function can be switched off once food and drinks are sufficiently chilled.



- Touch the Super cool sensor so that it is highlighted in white.

The original temperature will now appear in the temperature display for the refrigerator, and the appliance will continue to operate at normal power.

Storing food in the refrigerator section

Different storage zones

Due to the natural circulation of the air in the appliance, there are different temperature zones in the refrigerator. Cold, heavy air sinks to the lowest section of the appliance. Make use of the different zones when placing food in the appliance.

This appliance has automatic dynamic cooling, which helps to keep an even temperature when the fan is running, making the difference between the various zones less pronounced.

Warmest area

The warmest area is in the top section of the door. Use this for storing butter and cheese.

Coldest areas

The coldest areas in the refrigerator section are directly above the MasterFresh zone and in the MasterFresh zone itself which is slightly colder still.

Use these areas for all delicate and highly perishable food, e.g.

- fish, meat, poultry,
- sausage products, ready meals,
- dishes or baked goods containing eggs or cream,
- fresh dough, cake mixtures, pizza or quiche dough,
- soft cheese and other dairy products,

- pre-packed vegetables and other fresh food with a label stating it should be kept at a temperature of approx. 4 °C.

Do not store explosive materials in the appliance or any products containing propellants (e.g. spray cans). Danger of explosion.

If storing alcohol with a high percentage proof, make sure it is tightly closed, and store upright.

Please be aware if storing cooking oil in the appliance that traces of oil can cause stress cracks to occur in the plastic components.

Food must not touch the back wall of the appliance, as it may freeze to the back wall.

To allow air to circulate efficiently, do not pack food too closely together in the refrigerator. Make sure the vents at the back of the appliance are not covered, as this is essential for keeping the appliance cool.

Storing food in the refrigerator section

Ensure that when placing food in the refrigerator, a gap of at least 35 mm is maintained under the ceiling of the appliance to enable the air to circulate freely.

Only use the area to the front of the refrigerator zone floor to place food temporarily. Do not leave it there, as when you shut the door it may get pushed over, causing spillages.

Food which is not suitable for storing in a refrigerator

Not all food is suitable for storing in a refrigerator at temperatures below 5 °C, as some food is sensitive to cold. Cucumbers, for example, become glassy, aubergines bitter and potatoes sweet. Tomatoes and oranges lose their aroma, and the peel on citrus fruits hardens.

Food which is sensitive to cold includes:

- Pineapple, avocado, bananas, pomegranate, mango, melon, papaya, passion fruit, citrus fruit (such as lemons, oranges, mandarins, grapefruit),
- Fruit which is not yet ripe
- Aubergines/egg plant, cucumbers, potatoes, peppers/capsicum, tomatoes, courgettes/zucchini,
- Some hard cheeses, e.g. Parmesan

When shopping for food

The freshness of food when first placed in the appliance is an important factor in determining how long it stays fresh, and how long it can be kept in the refrigerator. Time out of the refrigerator, e.g. during transportation, should be kept to a minimum. For example, do not allow food to stay in a hot car for too long. Once food has started to deteriorate, this process cannot be reversed. As little as two hours outside the refrigerator can cause food to start deteriorating.

Storing food correctly

Food should generally be stored covered or packaged in the refrigerator (there are some exceptions to this rule in the MasterFresh zone - see below). This will prevent food smells from affecting other food, food from drying out, and also any cross-contamination of bacteria. The growth of bacteria, such as salmonella, can be avoided by setting the correct temperature and maintaining good standards of hygiene.

Unpacked meat and vegetables

Unpackaged meat and vegetables should be stored separately. To avoid any microbiological cross-contamination, these foods may only be stored together if they are wrapped.

Storing food in the MasterFresh zone

Food is stored at a lower temperature in the MasterFresh zone than in the refrigerator section. The humidity in the MasterFresh zone compartments can also be regulated to suit the food being stored, providing ideal storage conditions and ensuring that food stays fresh considerably longer while retaining both flavour and vitamins.

Storage temperature

The optimum storage temperature for fresh food which is not sensitive to cold is 0 - 3 °C. This is the temperature range which is automatically maintained in the MasterFresh zone. Food can be stored there at this temperature without loss of freshness for considerably longer than in a standard refrigerator, as the deterioration process is decelerated at this temperature.

Remember that the fresher the food when placed in the appliance, the longer it will stay fresh.

Humidity level

The humidity level in the MasterFresh zone will depend on

- the moisture content of the food being stored and
- the quantity of food being stored.

The closer the storage humidity is to the humidity content of the food, the crisper and fresher the food remains over a longer period, as the water content of the food is largely retained.

Storing food in the MasterFresh drawers



- Touch the sensor to select the MasterFresh drawer you want to use.

The sensor for the drawer selected is highlighted in yellow. The sensors for the types of food you wish to store now appear:



- Left: Food which requires high humidity, such as vegetables and fruit
- Right: Food which requires low humidity, such as meat, fish and dairy produce.
- Touch the sensor for the type of food you wish to store in the MasterFresh drawer selected. The correct humidity level will now be automatically set for the food stored.
- You can deselect the type of food by touching the relevant sensor again.

Storing food in the MasterFresh zone

You cannot store food that likes high humidity in a drawer with food that prefers a dry atmosphere. However, you can store several types of food from the same humidity/dry group at the same time.

- The food can now be placed in the MasterFresh drawer.

A humidity filter above each MasterFresh drawer helps to regulate the humidity in the drawers. These filters are air permeable, but retain the humidity.

Food that prefers a higher humidity include:

- Freshly picked vegetables, lettuce, herbs, mushrooms, cabbages and fruit.

Please take into account that high humidity is only achieved and effective if the food is stored **unwrapped or loosely wrapped**.

Food that prefers a dry atmosphere include:

- fresh fish, shellfish, meat, poultry, sausages, dairy products and speciality salads.

Please note that foods rich in protein deteriorates faster than others. Shellfish, for example, deteriorates faster than fish, and fish deteriorates faster than meat.

Always keep these types of food **covered or wrapped**.

Exception: Meat. The surface of the meat dries out slightly, helping to prevent the growth of bacteria, which results in the meat lasting longer. To prevent the risk of bacterial cross-contamination and meat deteriorating, do not let one type of meat come into direct contact with another type.

Take food out of the MasterFresh zone approx. 30 - 60 minutes before using it. The aroma and taste do not fully develop until the food has reached room temperature.

Storing food in the MasterFresh zone

Can all types of food be stored together?

Do not place all types of food together in one drawer. Some types of food do not store well together. Aromas and flavours can transfer from one type of food to another (e.g. carrots absorb the smell and flavour of onions very easily). Some food also gives off a natural gas (ethylene) which speeds up the rate at which other food perishes. Some fruit and vegetables react strongly to this gas and should not be stored together.

Examples of fruit and vegetables which produce a large amount of this natural gas are:

Apples, apricots, pears, nectarines, peaches, plums, avocados, figs, blueberries, melons and beans.

Examples of fruit and vegetables which react strongly to the natural gases given off by other types of fruit and vegetables are:

Kiwis, broccoli, cauliflower, Brussels sprouts, mangos, honeydew melons, apples, apricots, cucumbers, tomatoes, pears, nectarines and peaches.

Example: Broccoli should not be stored with apples, as apples produce a large amount of natural gas to which broccoli is very sensitive. The result is a shorter than expected storage time for the broccoli.

Storing food in the MasterFresh zone

The following tips may help if you find that food you have stored does not keep well (e.g. food becomes limp or wilts after only being stored for a short time):

- Only use the appliance for storing fresh food. The condition of the food when it is first placed in the appliance is an important factor in determining how long it stays fresh.
- Clean the MasterFresh zone before placing food in it.
- Allow very moist food to drain before placing it in the MasterFresh zone.
- Do not store food which is sensitive to cold in the MasterFresh zone (see "Food which is not suitable for storing in a refrigerator")
- Bear in mind that not all types of food can be stored together (see "Can all types of food be stored together?").
- Organise the foods to be stored into groups requiring lower or higher humidity.
- Store food unwrapped in the high humidity MasterFresh drawer.
High humidity in the MasterFresh drawer can only be achieved by storing food which contains moisture in it.
If the humidity is not high enough, because, for example, too little food has been stored in the drawer, you can use a wet sponge to increase the humidity.
- If you think that the temperature in the MasterFresh zone is too high or too low, try regulating it by altering the temperature of the refrigerator section by 1 to 2 °C.
The temperature must be increased if ice crystals start to form on the floor of the MasterFresh zone as otherwise the cold temperature will damage the food.
- If a lot of water has gathered on the base of the MasterFresh zone, dry the base with a towel. Drain food before storage or place a rack on the floor of the MasterFresh zone and place the food on the rack so that the moisture can drip down.

Arranging the interior fittings

Moving the shelves

The shelves can be adjusted according to the height of the food.

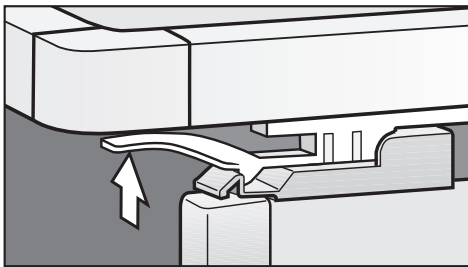
- Hold the shelf on both sides and raise it slightly so that it can be lifted over the catches at the back.
- Pull the shelf forwards.
- Place the shelf at the required level, ensuring that it has engaged in the catches at the back.
- Make sure that the shelf is on straight.

Fully extendable drawer

The drawer above the MasterFresh zone sits on telescopic runners, and can be fully pulled out for loading and unloading.

For cleaning, this drawer can be removed completely.

- Pull out the drawer.



- Raise the snap fittings on both sides and lift the drawer out.

To avoid damaging the telescopic runners, make sure that they are pushed back into the appliance.

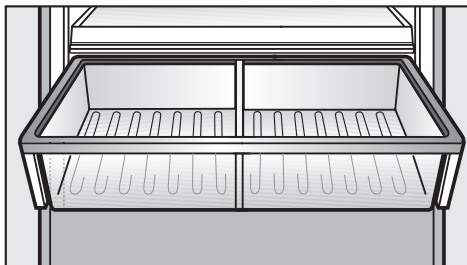
To replace the drawer

- Pull the telescopic runners out as far as they will go.
- Place the drawer back on the runners so that it engages at the back and front.
- Push the drawer all the way back into the appliance.

The MasterFresh drawers

The MasterFresh drawers sit on telescopic runners, and can be fully pulled out for loading and unloading.

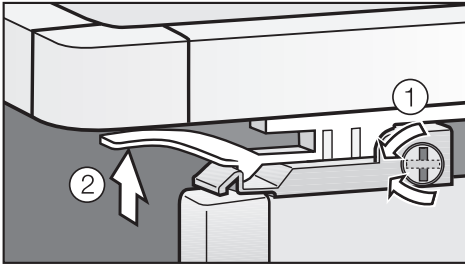
For cleaning, the MasterFresh drawers can be removed completely.



- Pull the MasterFresh drawer out as far it will go.

To prevent children from hurting themselves, there is a pin on the door opening side which needs to be turned to a horizontal position in order to remove the drawer.

Arranging the interior fittings



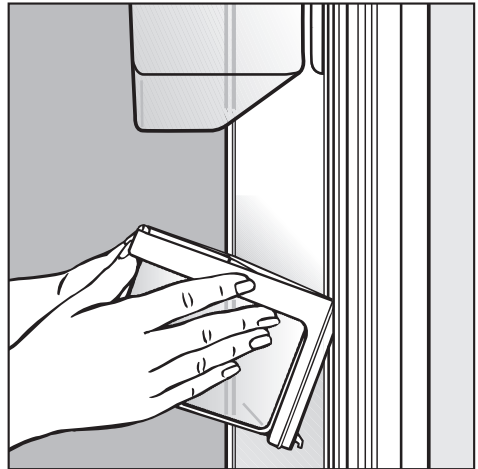
- Use a screwdriver or similar to turn the pin so that the slot in the head is horizontal ①.
- Raise the snap fittings on both sides ②, and lift the MasterFresh drawer up and out.

To avoid damaging the telescopic runners, make sure that they are pushed back into the appliance.

To replace the drawer

- Pull the telescopic runners out as far as they will go.
- Place the MasterFresh drawer on the runners so that it engages at the back and front.
- Turn the slot on the pin to its vertical position.
- Push the MasterFresh drawer all the way back into the appliance.

Adjusting the door shelves/bottle shelf



- Hold the door shelf by its frame with both hands, raise it a little and then tip it forwards slightly.
- Slide the shelf in its angled frame up or down in the side runners as required, and engage it in its new position.
- Make sure that the shelf is straight.

Arranging the interior fittings

To remove the door shelf altogether,

- Slide it up the side runners to the very top, then lift it out.

To replace the door shelf

- Engage the door shelf in the runners at the top, and push it down to the position required.

For the purposes of loading and unloading or to clean, the containers can be removed from their holders completely.

To remove the container in the top door shelf from its holder,

- Undo the screws on the shelf and remove the cover.
- Unhinge the flap from its holder.
- Lift the container up and out.

To remove the shelf above the fully extendable drawer

- Lift the shelf up and out.
- When replacing the shelf, make sure that the lugs on the corners at the back are correctly engaged.

To remove the shelf above the MasterFresh drawers

- Remove the fully extendable drawer.
- Remove the trim at the back, push back the glass shelf slightly, then lift it carefully up and out.
- Replace the fully extendable drawer.

Refrigerator section and MasterFresh zone

Condensate and frost can build up on the back wall of the refrigerator section and the MasterFresh zone whilst in use. You do not need to remove this, as it will defrost and evaporate automatically with the warmth generated by the appliance.

Cleaning and care

Make sure that water cannot get into the electronic unit or into the ventilation gaps.

Do not use steam cleaning apparatus to clean the appliance. Steam could reach electrical components and cause a short circuit.

The data plate located inside the appliance must not be removed. It contains information which is required in the event of a service call.

To avoid damaging the surface of your appliance, do not use:

- cleaning agents containing soda, ammonia, acids or chlorides,
- cleaning agents containing descaling agents,
- abrasive cleaning agents, e.g. powder cleaners and cream cleaners,
- solvent-based cleaning agents,
- stainless steel cleaning agents,
- dishwasher cleaner,
- oven sprays,
- glass cleaning agents,
- hard, abrasive sponges and brushes, e.g. pot scourers,
- melamine eraser blocks,
- sharp metal scrapers.

Before cleaning



- Switch the appliance off completely by pressing the On/Off rocker switch to the right-hand side underneath the control panel.
- Disconnect the appliance from the mains.
- Take any food out of the appliance and store it in a cool place.
- Take out any removable parts, e.g. shelves, for cleaning.
- Remove the containers from their stainless steel frames in order to clean the door shelves.

Cleaning the interior and accessories

Use lukewarm water with a little washing-up liquid. Wash all parts and accessories by hand only. Do not wash in a dishwasher.

- Clean the appliance at least once a month.
- After cleaning, wipe the interior and accessories with a damp cloth and dry with a soft cloth. Leave the door open to air the appliance for a short while.

Aluminium frames

The frames on the shelves inside the appliance and in the door are made from aluminium.

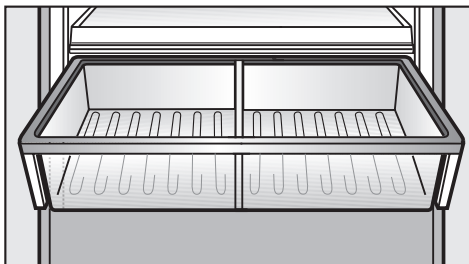
Aluminium is affected by the way that light falls on it, by the surrounding environment and by the angle you observe it from.

It is also susceptible to scratching.

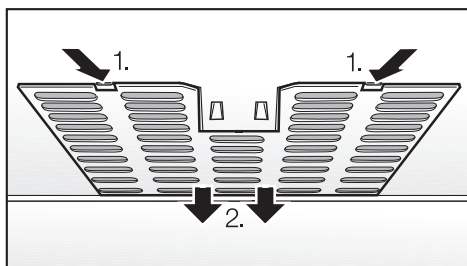
The aluminium frames may suffer discolouration or damage if soiling is left on for too long. Remove any soiling immediately.

Humidity filters

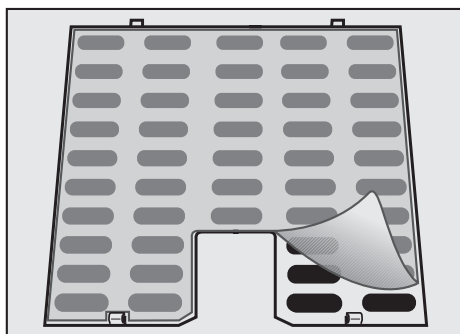
The two special humidity filters above the MasterFresh drawers have to be removed for cleaning.



- Pull out the MasterFresh drawer and remove it.



- Release the filter cover ①, then lower it together with the filter mat and remove ②.



- Take off the filter mat.
- Clean the filter mat in lukewarm water without any detergent.

Do not wash the filter mats in a dishwasher or washing machine.

- Leave the filter mat to dry.
- Replace the filter mat in the filter cover.
- Replace the filter cover, engaging it first at the back and then at the front.
- Replace the MasterFresh drawer in the appliance.

Cleaning and care

Ventilation gaps

- The ventilation gaps should be cleaned on a regular basis with a brush or vacuum cleaner. A build-up of dust will increase the energy consumption of the appliance.

Door seal

Do not use any oils or grease on the door seal as these will cause the seal to deteriorate and become porous over time.

- The door seal should be cleaned regularly with clean water, and then wiped dry with a soft cloth.

After cleaning

- Replace all shelves and accessories in the appliance.
- Reconnect to the mains and switch the appliance back on.
- Place food back in the appliance and close the door.

Repairs to electrical appliances should only be carried out by a suitably qualified and competent person in strict accordance with current local and national safety regulations. Repairs and other work by unqualified persons could be dangerous. The manufacturer cannot be held liable for unauthorised work.

What to do if . . .

. . . the appliance does not get cool.

- Check whether the appliance has been switched on. If it is switched on, the access sensor will light up in the display.
- Check that the plug is correctly inserted into the socket and switched on.
- Check that the fuse is not defective and that the mains fuse has not tripped. If it has, contact the Miele Service Department.
- Check the temperature settings.

. . . the temperature in the refrigerator section is too low.

- Increase the temperature.
- Switch off the Super cool function if this is switched on.
- Check that the appliance door has been closed properly.

. . . the compressor is switching in too frequently and for too long.

- Check whether the ventilation gaps in the plinth have been covered over or become too dusty.
- The door has been opened too frequently, or a large amount of food has just been put in at once.
- Check that the appliance door has been closed properly.

. . . the compressor runs continuously.

To save energy, the compressor runs at a lower speed, but for longer, when less cooling is required.

. . . the alarm sounds.

Has the appliance door been open for longer than 5 minutes?

- Close the door.

Problem solving guide

... the alarm sounds and the sensor for switching off the temperature or door alarm lights up or is flashing.

- The refrigerator door is open, or
- The temperature in one of the zones has risen significantly because
 - too much warm air from the room has entered the appliance,
 - large quantities of food have recently been placed in the appliance,
 - there has been a power cut.

The alarm will stop and the sensor in the display will go out again as soon as the temperature has dropped down to the correct level again.

... a fault message with "_F" appears in the temperature display.

There is a fault. Call the Service Department.

... the interior lighting is not working.

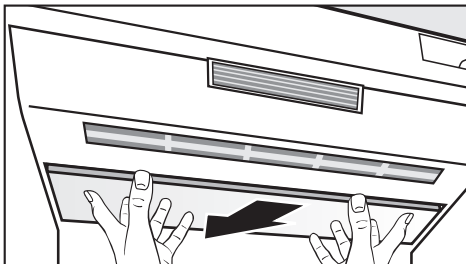
Has the refrigerator door been left open for too long? To avoid overheating, the lighting switches itself off automatically after approx. 5 minutes if the door is left open. It will come on again after it has cooled down sufficiently.

If it also does not come on when the door is opened briefly, then the lighting is defective.

- Switch the appliance off by pressing the On/Off rocker switch to the right hand side underneath the control panel.

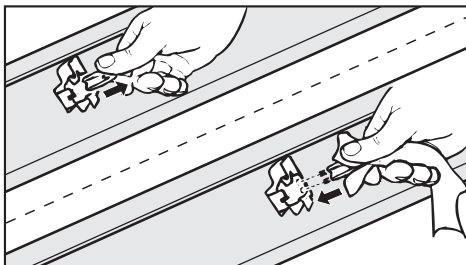
- Disconnect the appliance from the mains.

Top lighting



- Hold the lamp cover at the front with both hands and push it back.
- Then lift the lamp cover forwards to remove.

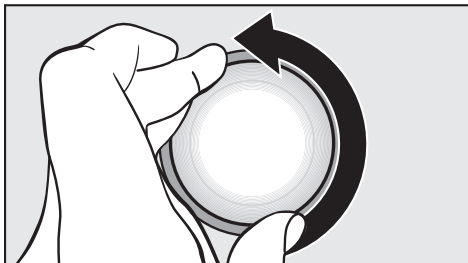
Do not touch halogen lamps with your bare fingers. Use a soft cloth when changing a halogen lamp.



- Pull the defective halogen lamp out.
- Fit the new lamp into the holder. The following type of halogen lamp is required:
20 W/12 V/ GY 6.35 cap.

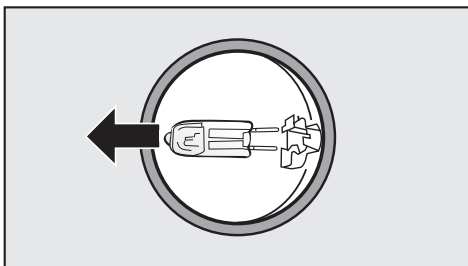
- Engage the lamp cover at the back, then pull it forward and click it into place at the front.

Side lighting



- Turn the lamp cover anti-clockwise to remove it.

Do not touch halogen lamps with your bare fingers.
Use a soft cloth when changing a halogen lamp.



- Pull the defective halogen lamp out.
- Fit the new lamp into the holder.
The following type of halogen lamp is required:
5 W/12 V/ G 4 cap.
- Replace the lamp cover, turning it clockwise as far as it will go.
- Reconnect the appliance to the electricity supply and switch it on.

If you still cannot remedy the fault having followed these suggestions, please contact the Miele Service Department.

To prevent unnecessary loss of temperature it is advisable not to open the door while waiting for the appliance to be serviced.

Noises

Normal noises	What causes them
Brrrrr...	Humming noise made by the motor (compressor). This noise can get louder for brief periods when the motor is switching on.
Blubb, blubb....	A gurgling noise can be heard when coolant is circulating through the pipes.
Click....	Clicking sounds are made when the thermostat switches the motor on and off.
Sssrrrrr....	On multi-zone and frost-free appliances you can sometimes just hear the movement of air circulating inside the appliance.
Creak ...	Creaking sounds can be heard when material inside the appliance expands.

Remember that the noise of the compressor and the coolant circulating in the system is unavoidable.

Noises that you can easily rectify	What causes them, and what can you do about them
Rattling, vibrating	The appliance is uneven: Realign the appliance using a spirit level, by raising or lowering the screw feet underneath the appliance.
	The appliance is touching another appliance or piece of furniture: Move it away.
	Drawers, baskets or shelves are unstable or sticking: Check all removable items and refit them correctly.
	Are any bottles or containers unstable or knocking against each other? Separate them.
	The transport cable clips are hanging loose at the back of the appliance: Remove the clips.

In the event of a fault which you cannot correct yourself, or if the appliance is under guarantee, please contact:

– your Miele Dealer

or

– Miele
(see back cover for contact details).

When contacting your Dealer or Miele, please quote the model and serial number of your appliance. This information is given on the data plate inside your appliance.

Please note that telephone calls may be monitored and recorded for training purposes.

N.B. A call-out charge will be applied for service visits where the problem could have been resolved as described in these instructions.

Guarantee

For information on the appliance guarantee specific to your country please contact Miele. See back cover for contact details.

In the U.K. your appliance is guaranteed for 2 years from the date of purchase. However, you must activate your cover by calling 0845 365 6640 or registering online at www.miele.co.uk.

Electrical connection

Electrical connection U.K.

All electrical work should be carried out by a suitably qualified and competent person in strict accordance with current local and national safety regulations (BS 7671 in the UK).

The appliance is supplied with a mains cable and moulded plug ready for connection to an a.c. single phase 220-240 V 50 Hz supply.

Please ensure that the connection data quoted on the data plate match the household mains supply.

Connection should be made via a suitable switched socket which is easily accessible. For extra safety it is advisable to protect the appliance with a suitable residual current device (RCD).

Do not connect the appliance to the mains electricity supply by an extension lead. Extension leads do not guarantee the required safety of the appliance (e.g. danger of overheating).

This appliance must not be connected to the inverter of an autonomous power supply, e.g. a solar power system. When switching the appliance on, a surge in power could trigger the safety cut-out mechanism. This could damage the electronic unit.

The appliance must not be used with so-called energy saving devices. These reduce the energy supply to the appliance which could then become too warm. Using such devices could alter the specification of the product.

Non-rewireable plugs (BS 1363)

The fuse cover must be re-fitted when changing the fuse, and if the fuse cover is lost, the plug must not be used until a suitable replacement is obtained. The colour of the correct replacement cover is that of the coloured insert in the base of the plug, or the colour that is embossed in words in the base of the plug (as applicable to the design of the plug fitted).

Replacement fuses should be ASTA approved to BS 1362 and have the correct rating. Replacement fuses and fuse covers may be purchased from your local electrical supplier.

WARNING
THIS APPLIANCE MUST BE
EARTHED

Location

This appliance should be installed in a dry, well-ventilated room. It should not be installed where it is exposed to direct sunlight or directly adjacent to a heat-producing appliance such as an oven or a radiator. The room temperature should not go above or below the climate range for which the appliance is designed. The higher the ambient temperature of the room, the more energy the appliance requires to operate.

If installation near a heat source is unavoidable, observe the following distances between the appliance and the heat source:

- 3 cm away from an electric oven or cooker
- 30 cm away from an oil- or coal-fired range.

Important: tropical / humid environments

During periods of high humidity, some condensation may appear on outside surfaces of cooling appliances. This condensation will disappear when humidity levels drop. For prevention, it is advisable to install the appliance with sufficient ventilation in a dry and/or an air-conditioned room.

Please ensure that doors are closing and sealing properly.

Please ensure that the appliance is installed in accordance with these installation instructions and that the handle is fitted correctly. Should you require further assistance please contact your Miele customer service centre.

Climate range

The appliance is designed for use within certain climate ranges (ambient temperatures) and should not be used outside this range. The climate range of the appliance is stated on the data plate inside the appliance.

Climate range	Ambient room temperature
SN	+10 °C to +32 °C
N	+16 °C to +32 °C
ST	+16 °C to +38 °C
T	+16 °C to +43 °C

Operating in a room which is too cold will result in the cooling system switching off for too long, causing the internal temperature in the appliance to rise.

Installation advice

Safe operation of the appliance is only assured if it has been installed and connected in accordance with these operating and installation instructions.

Warning!

This appliance is very heavy and can tip forwards when the door is open. Keep the door shut until the appliance has been built in and secured within the building-in niche in accordance with these instructions.

Due to the size and weight of the appliance, installation must be carried out by two people.

The weight of the appliance when empty is:

K 1801 Vi, K 1811 Vi 189 kg
K 1901 Vi, K 1911 Vi 205 kg

Floor

To ensure the safe installation of the appliance and to guarantee its correct functioning, the floor to the niche where the appliance is to be installed must be smooth and even.

It must be made from strong, rigid material.

The appliance is extremely heavy when fully loaded, and for this reason it is imperative that the floor it stands on is able to bear its weight. If necessary, the advice of an architect or structural engineer should be sought.

When fully loaded, the approx. weight of the appliance is:

K 1801 Vi, K 1811 Vi 452 kg
K 1901 Vi, K 1911 Vi 540 kg

Door hinging

The appliance is supplied with fixed hinges. If you need to change the door hinging to the other side, please contact the Service Department.

On no account should you attempt to change the door hinging yourself. (N.B. Door hinge change not available in all countries).

Adjoining furniture/units

The appliance is screwed to the adjoining furniture/units to the side and above.

For this reason, it is essential that all furniture/units be fixed to the ground and/or wall.

Ventilation

The ventilation gaps must not be covered or blocked in any way. They should be dusted on a regular basis.

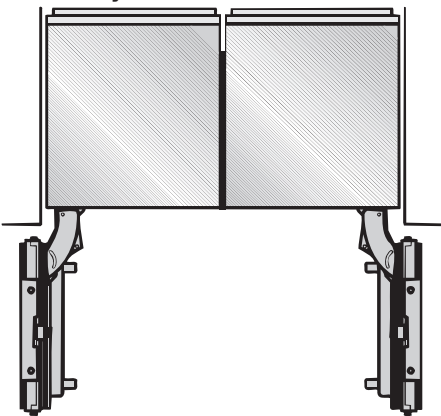
Side-by-side installation

This appliance may be installed "side-by-side" with another suitable refrigerator or freezer.

A side-by-side installation kit, available from Miele, is required. Ask your dealer which appliances are suitable for side-by-side installation with this appliance.

See the instructions supplied with the side-by-side installation kit for how to fix the appliances together.

Joining the appliances together with the side-by-side installation kit

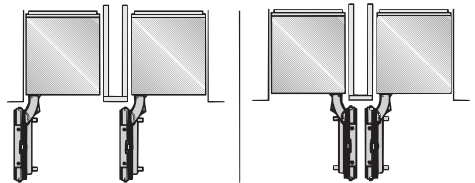
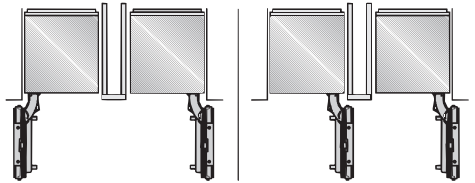


If the appliances are to be installed next to each other without a partition wall between them, they will need to be

joined together using the side-by-side installation kit.

Installation with a partition wall using the side-by-side installation kit

The partition wall must be at least 16 mm thick.



If the partition wall between the two appliances is **between 16 mm and 160 mm** thick, each appliance must be built into its own niche using the assembly parts supplied. The side-by-side installation kit is also required.

Installation with a partition wall without the side-by-side installation kit

If the partition wall between the two appliances is **more than 160 mm**, each appliance must each be built into its own niche using the assembly parts supplied (without using the side-by-side installation kit).

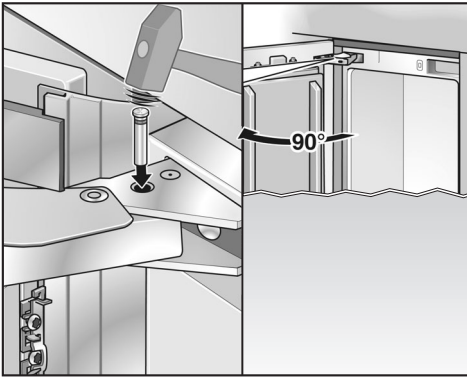
Installation advice

To limit the opening angle of the door

The door hinges are set ex-works to enable the door to be opened wide.

However, if the appliance door hits an adjacent wall when opened, for example, the opening angle can be limited to 90°.

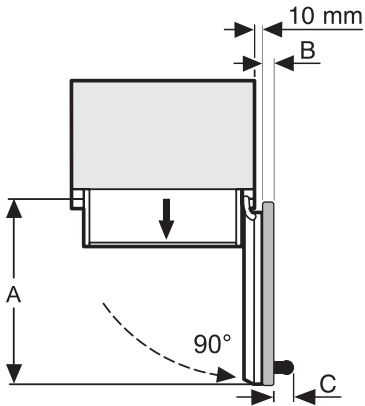
- Open the appliance door.



- Insert the pin into the hinge from above, as shown.

The door opening angle is now limited to 90°.

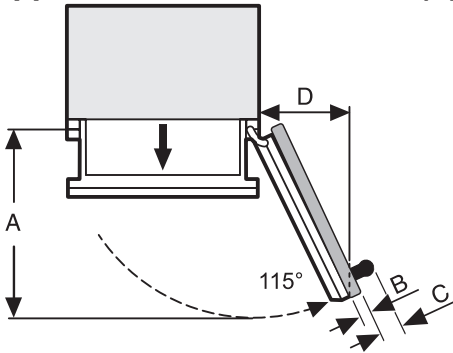
Appliance door dimensions (opening angle 90°)



*The dimensions for the door fronts and handles will vary according to the individual kitchen.

	A	B	C
K 1801 Vi, K 1811 Vi	829 mm	Door front (max. 38 mm)*	Door handle*
K 1901 Vi, K 1911 Vi	982 mm	Door front (max. 38 mm)*	Door handle*

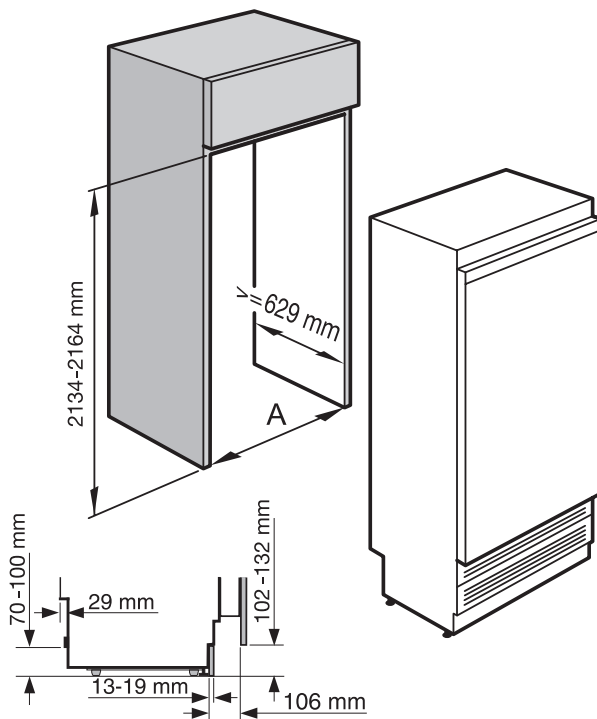
Appliance door dimensions (opening angle 115°)



*The dimensions for the door fronts and handles will vary according to the individual kitchen.

	A	B	C	D
K 1801 Vi, K 1811 Vi	829 mm	Door front (max. 38 mm)*	Door handle*	363 mm
K 1901 Vi, K 1911 Vi	982 mm	Door front (max. 38 mm)*	Door handle*	428 mm

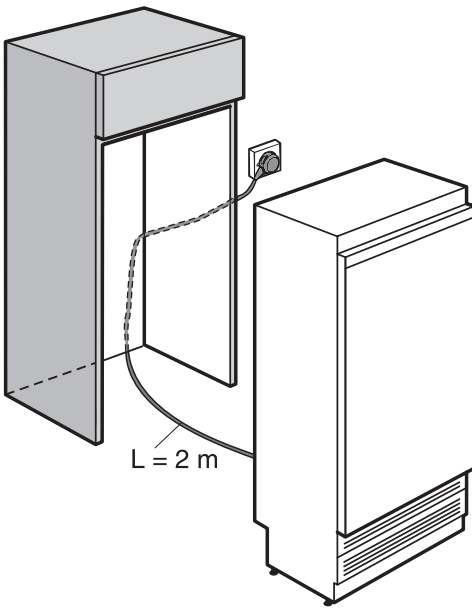
Building-in dimensions



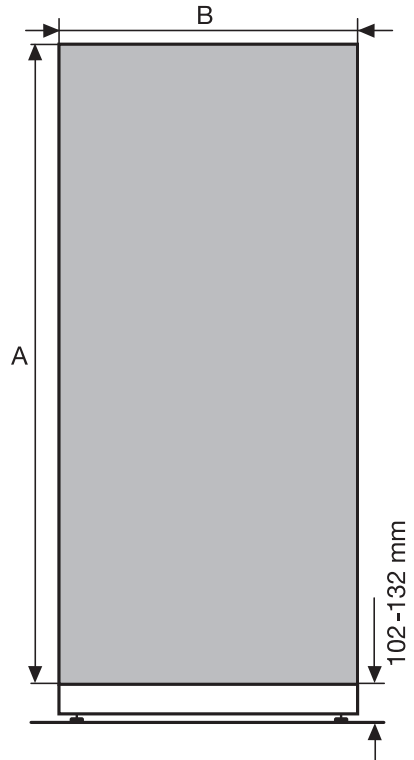
	Niche width A
K 1801 Vi, K 1811 Vi	762 – 765 mm
K 1901 Vi, K 1911 Vi	915 – 918 mm

Building-in dimensions

Laying the electrical cabling



Door front dimensions



	A	B
K 1801 Vi, K 1811 Vi	2029 mm	756 mm
K 1901 Vi, K 1911 Vi	2029 mm	908 mm

Installation

Due to the size and weight of the appliance, it is essential that installation is carried out by two people.

Tools and accessories required

- Cordless screwdriver
- Torx screwdriver
- Hammer drill
- Drill bits in various sizes, depending on materials
- Hammer
- 8 mm socket wrench
- Adhesive tape
- Pipe wrench
- Spirit level
- Try-square

To secure the housing unit to a wall behind:

- suitable wall plugs/fixing screws for the type and material of the wall.

Other

- Step ladder
- Sack barrow
- Wooden beams (min. 75 mm x 100 mm) if required, to prevent tipping; length depends on width of building-in niche
- Wood screws in various sizes

Optional accessory

- Side-by-side installation kit for side-by-side installation of two appliances

Stainless steel fronts

Stainless steel fronts and stainless steel look plinth grilles are available from your dealer or the Miele Spare Parts Department.

Weight of the door front

Before fitting the door front, ensure that the weight of the front does not exceed the maximum permitted:

Appliance	Max. weight of door front in kg
K 1801 Vi, K 1811 Vi	50
K 1901 Vi, K 1911 Vi	37

Fitting a door front which is heavier than the maximum permitted could damage the hinges.

Building into a peninsular run

When built into a peninsular run, the rear of the building-in niche must be fitted with a kitchen furniture panel.

Building-in at the end of a run of units

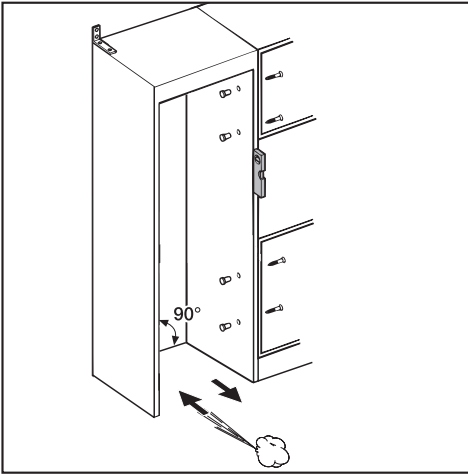
If one side of the appliance is visible, a side panel is required.

The side panel must be fixed to the wall, the floor and any furniture/units above before the appliance is placed in the niche.

The size of the side panel must match that of the furniture panel opposite.

Installation

Aligning the housing unit



The housing unit must be carefully aligned using a spirit level before installing the appliance. The unit corners must be at right angles, as otherwise the furniture door will not align correctly with the 4 corners of the appliance.

- The side panels of the housing must be even.
- The housing unit panels must be at least 16 mm thick.
- The plinth facing must be at least 13 mm thick (or preferably 19 mm).

Checking the building-in niche

- The building-in dimensions now need to be checked.
- Check the position of the electrical connections (see "Electrical connection").
- Check that all surrounding furniture/units are securely fixed to the wall.
- Check the surrounding furniture/units for possible clashes when opening doors.

Before installation

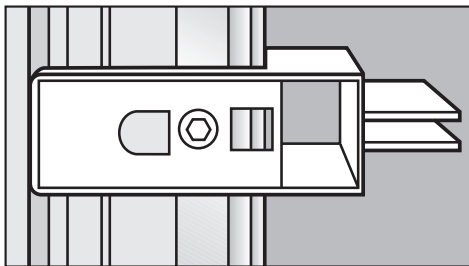
Warning!

This appliance is very heavy and can tip forwards when the door is open.

- Before installation, take any accessories out of the appliance and/or from the back of the appliance.
- Remove any cable clips from the back of the appliance.
- Check that all parts at the back of the appliance are unhindered. Carefully remove any hindrance.

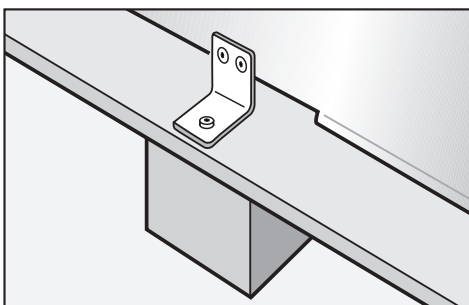
To protect the floor from damage when installing the appliance,

- secure an off-cut of flooring (e.g. lino) to the floor in front of the installation area.



- Do **not** remove the installation aids from the appliance door. These will be required later when the appliance is installed in the building-in niche.
- Check the appliance for damage during transportation.

Do not install a damaged appliance!



- Unscrew the bracket that is holding the appliance to the delivery pallet.

⚠ Warning!
Please bear in mind that the appliance is no longer secured to the pallet!

- With the help of several people as required, carefully lift the appliance from the pallet, starting with the back of the appliance.

The appliance can be rolled along the floor using the wheels at the back.

Preparing the niche

⚠ Keep the door to the appliance closed until it is fixed inside the building-in niche.

Due to the size and weight of the appliance, please ensure that once secured in the niche, it can no longer tip forwards.

Installation accessories

All the fixings required for installation are supplied with the appliance. The plastic bags are marked with letters for easy identification.

Each fitting stage is indicated by the letter on the bag needed for that stage.



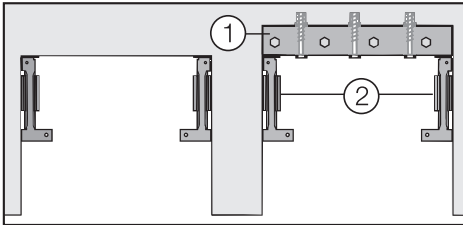
- Use the torx screwdriver supplied to tighten the screws.

Installation

Anti-tipping mechanism

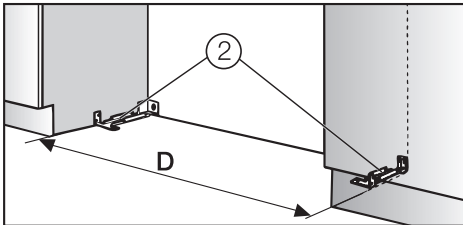
The anti-tipping mechanism ensures that the appliance is fixed securely into the building-in niche, preventing the appliance from tipping forwards.

Use two anti-tipping mechanisms for each appliance or side-by-side pair of appliances.



If the building-in niche is deeper than the appliance, screw a solid wooden beam ① to the floor and wall behind the anti-tipping mechanism ②.

The length of the wooden beam ① must be the same as the width of the building-in niche.



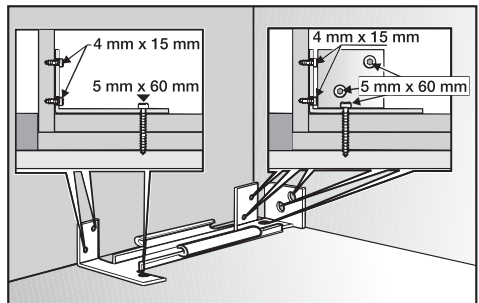
- Gap "D" between anti-tipping mechanisms ② is exactly equal to the width of the appliance(s).



- Place anti-tipping mechanisms ② flush against the left- and right-hand sides of the niche.

- Mark the drilling position onto the niche floor, side and back walls through the holes in the anti-tipping mechanisms ②.
- Put the anti-tipping mechanisms in a safe place - they will be required later.

Fixing screws for different uses and types of material are supplied in the accompanying pack. If these are not suitable for the anti-tipping mechanism in your installation, you will need to secure it by alternative means.



- Drill the following holes:
 - 3 mm diameter for the 5 x 60 mm screws
 - 2 mm diameter for the 4 x 15 mm screws

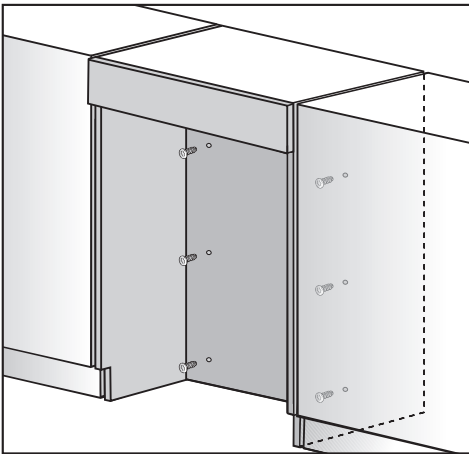


- The anti-tipping mechanisms can now be secured in the niche.

Make sure that the screws are at a depth of at least 19 mm in the floor and side walls of the niche.

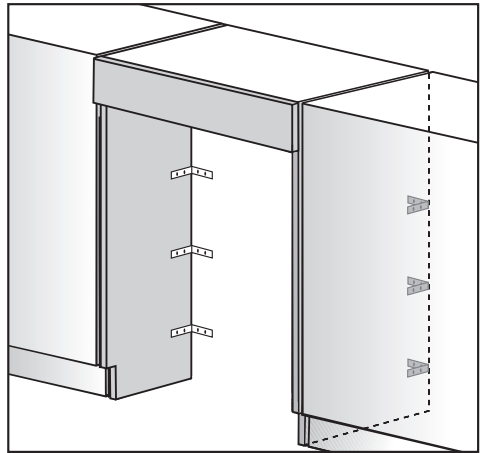
If the anti-tipping mechanism supplied cannot be fixed in the niche, the furniture unit must be firmly screwed to the wall behind to prevent the built-in appliance from tipping.

For a unit **with** a back panel



- screw the back panel directly onto the wall behind in a number of places. Use suitable wall plugs/fixing screws for the type and material of the wall.

For a unit **without** a back panel

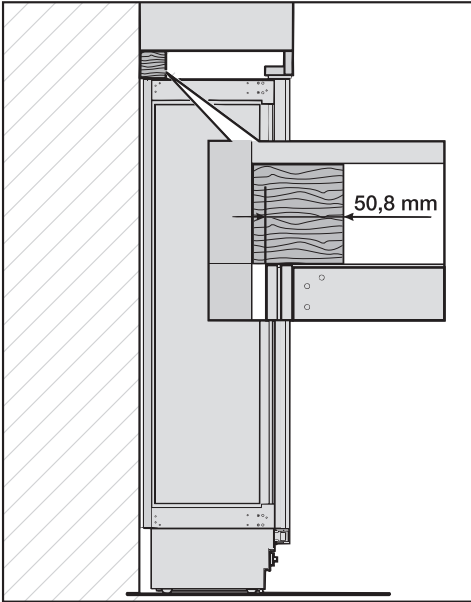


- screw the unit to the wall behind using a number of suitable angled fixing brackets. Use suitable wall plugs/fixing screws for the type and material of the wall.

Installation

An alternative anti-tipping mechanism

The appliance can alternatively be secured with a wooden beam across the top of the appliance. If this method is used, then there must not be any gap between the appliance and the wooden beam.



- The wooden beam must be at least 75 mm x 100 mm thick.
- The length must be the same as the width of the building-in niche.
- If the building-in niche is deeper than the appliance, a thicker wooden beam should be used.
- The wood must cover the appliance to a depth of at least 50.8 mm (see diagram).

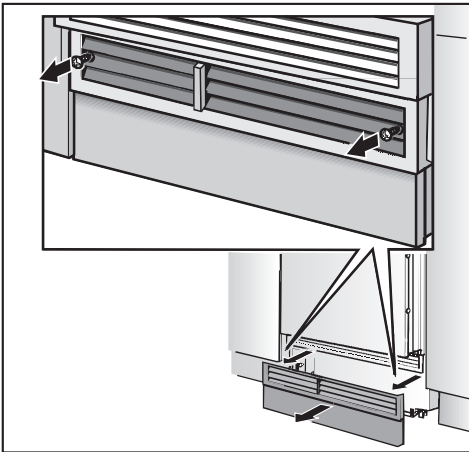
- Mark the position of the lower edge of the wooden beam on the rear wall of the building-in niche.
- Select screws of a length depending on the thickness of the wood.

Use the number of screws appropriate to the niche width to ensure that the wooden beam is securely fixed.

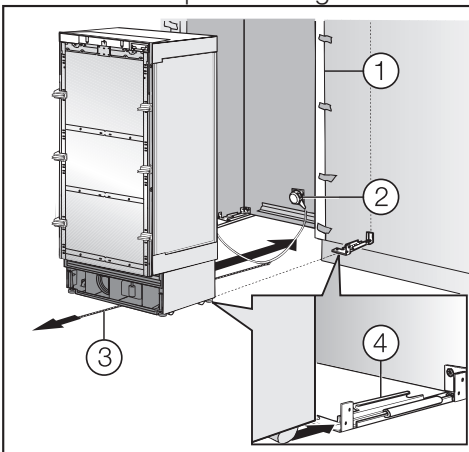
- Check where the upright wall supports are in the back of the niche, and mark the drill holes in the wooden beam accordingly.
- First, drill the holes in the wooden beam.
- Secure the wooden beam to the back wall of the niche.

Placing the appliance in the niche

If you are installing two appliances side by side, now secure the appliances to one another (see the instructions for the side-by-side installation kit).



- Unscrew the plinth facing.



- Secure the edge protector supplied ① to protect the adjacent furniture fronts.

- Plug in the appliance ②.

Connection should be made via a suitable switched socket. The socket should be close to the appliance and easily accessible. Otherwise the appliance should be connected via an external all-pole switch with a sufficient contact gap in the open position.

When installing two appliances side by side, each appliance must have its own separate socket.

- Secure the cable to prevent it becoming caught:
Tie a piece of string to the middle of the cable, and as the appliance is being pushed into the niche, pull the cable forward underneath the appliance ③.
- Carefully push the appliance back into the niche, clipping the feet into the anti-tipping mechanisms ④.

If the appliance does not slide easily into the niche (e.g. if the floor is uneven),

- adjust the rear feet slightly (see "Aligning the appliance").

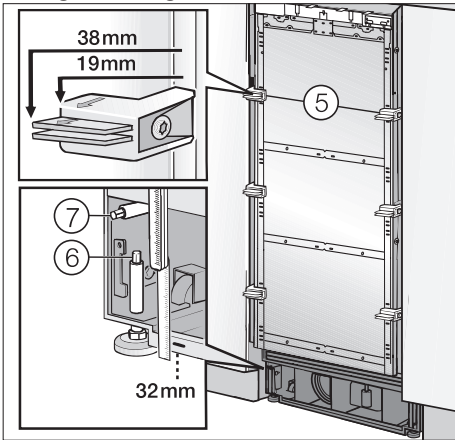
Then push the appliance into the niche, making sure that you do not damage the electrical cable.

- Remove the edge protector ① from the adjacent furniture fronts.

Installation

Aligning the appliance

- Align the appliance with neighbouring furniture fronts.



The installation aids ⑤ on the appliance door are suitable for 19 mm or 38 mm furniture door fronts.

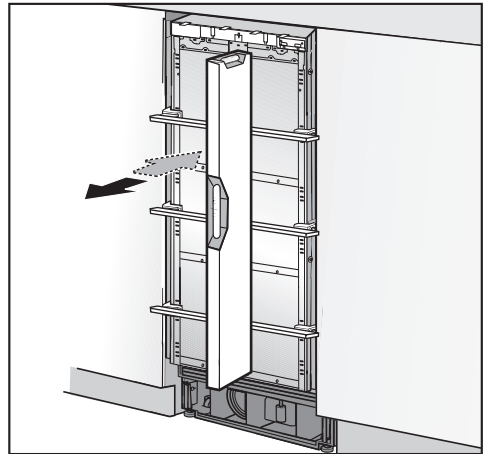
The adjustable feet at the front and back of the appliance can be adjusted from the front.

- Front feet:
Adjust from the top with a 8 mm socket wrench ⑥.
 - Rear feet:
Adjust with a (cordless) screwdriver or a 8 mm socket wrench ⑦.
- Place a spirit level on the installation aids ⑤ on the appliance door to check the appliance's alignment.

Important:
work methodically when adjusting the feet: always alternately left, right, etc.

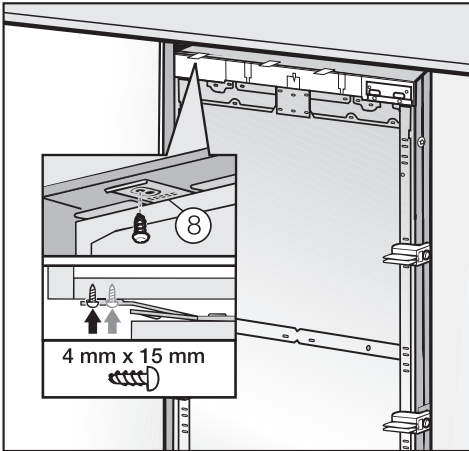
- A mark is located on the appliance base. When adjusting the height, this mark needs to be aligned at 32 mm from the floor. Unscrew the feet until the mark on the base has reached 32 mm. The 32 mm mark is for aligning the appliance in a niche height of 2134 mm.

Important:
Adjust the feet **only until**, the marking on the base has reached the 62 mm point (max. niche height 2164 mm).
Otherwise the rear foot adjustment mechanism will get damaged.



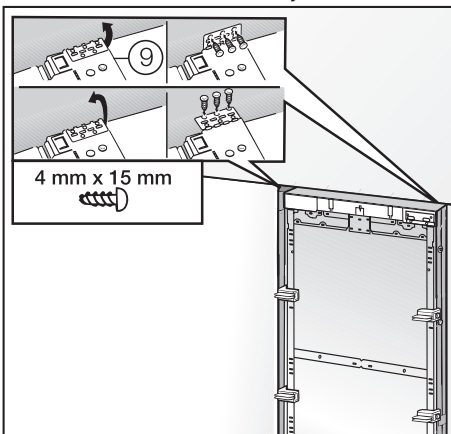
- Check the alignment of the appliance again using the spirit level.
- If a wooden beam has been fitted above the appliance to prevent tipping, the appliance height needs to be adjusted to fit snugly under the wooden beam.

Securing the appliance in the niche



- Screw the lugs for the fixing plates (8) into the furniture/units above the appliance.

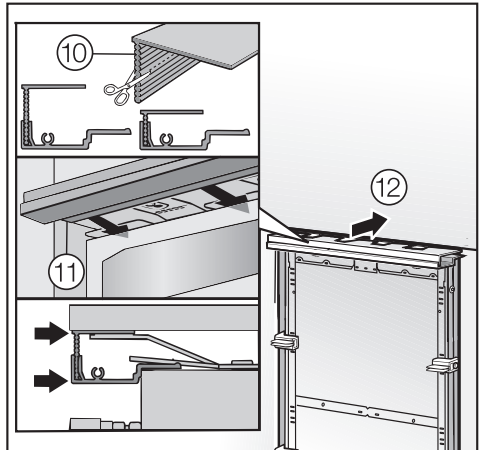
If it is not possible to secure the appliance above, it can be attached to the niche at the sides only.



- Pull out the lugs for the side fixing plates (9).



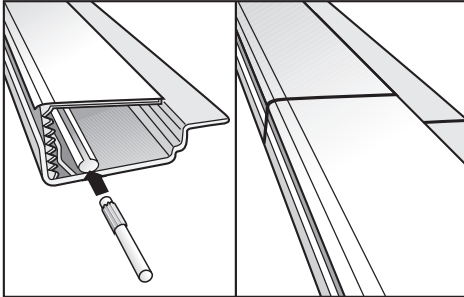
- Screw on the lugs for the side plates.



- If necessary, cut trim (10) to the necessary depth.
- Join the two pieces of trim together (11).
- Click them into position (12).

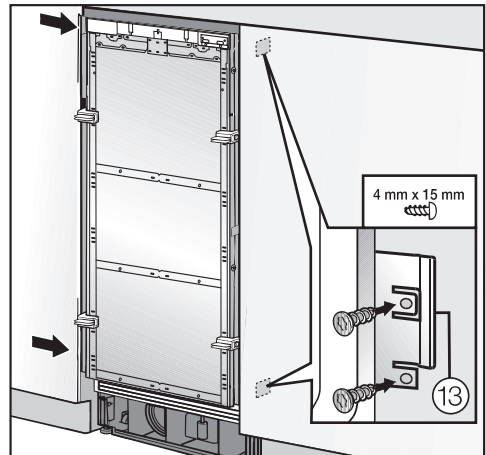
Installation

When installing two appliances **side by side**, the filler strips for the two appliances need to be joined together to form one long strip.



- Insert the joining peg from the side-by-side kit halfway into the channel in the filler strip for the left-hand appliance.
- Then insert the free half of the joining peg into the channel on the other strip, and press the two strips together.
- Click the two filler strips into place above the appliances.

- Open the appliance door.

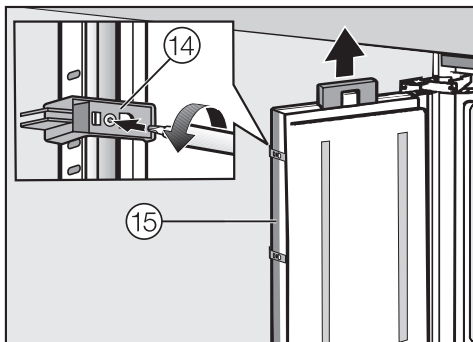


- Screw the lugs for the fixing plates ⑬ into the furniture/units adjacent to the appliance.

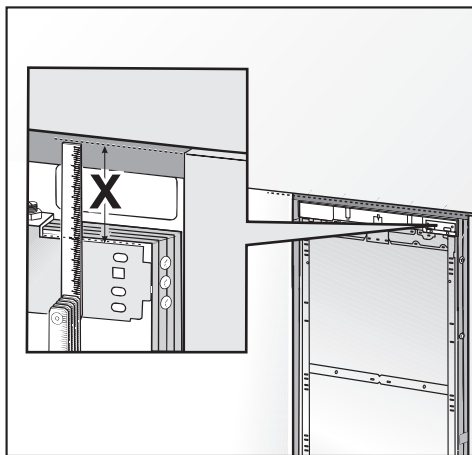
In a side-by-side combination, only the external panels of the two appliances can be secured to the furniture wall.

Preparing the furniture front

- Place the door shelves in the refrigerator door.

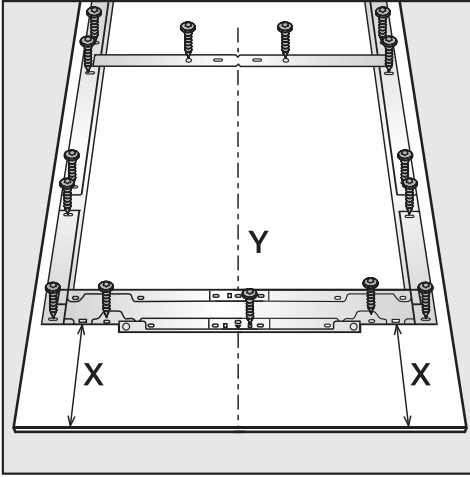


- Open the appliance door as far as it will go.
- Unscrew the installation aids (14) and angle trim (15) from the door.
- Put the angle trim (15) and screws in a safe place - they will be required later.
- Take the cover off the light contact switch.
- Close the appliance door.



- Measure gap **X** between the adjusting bar and the upper edge of the adjacent furniture front.
- Remove the two nuts from the appliance door, and place them in a safe place - they will be required later.
- Place the furniture front on a firm surface, with the external side facing downwards (place on a blanket or similar to avoid it becoming scratched).

Installation

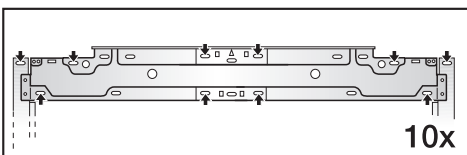


- The fixing frame has several different types of holes to take account of a variety of furniture fronts.
- When securing the frame, always screw into the strongest part of the furniture door.
- To do this, select screws which are slightly shorter than the thickness of the furniture door.
- Screw the appliance handle to the furniture door from the inside.

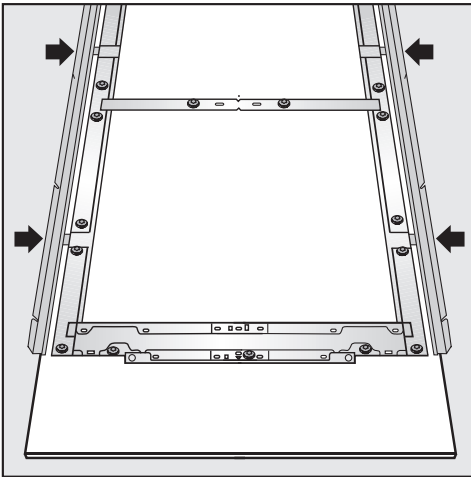
- Mark gap **X** on the inside of the furniture front.
- Similarly, locate and mark the midpoint **Y** on the furniture front.
- Remove the fixing frame from the appliance door and position it corresponding to the markings on the furniture front.
- Pre-drill the holes.
- Screw the fixing frame to the furniture front, using at least one screw for each fixing point.



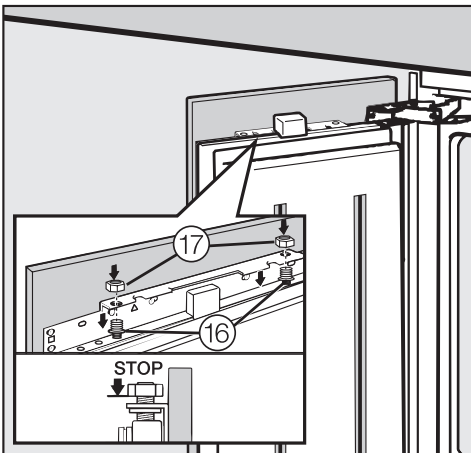
- Secure the fixing frame to the top of the furniture front, using at least 10 screws:



Securing and aligning the furniture door

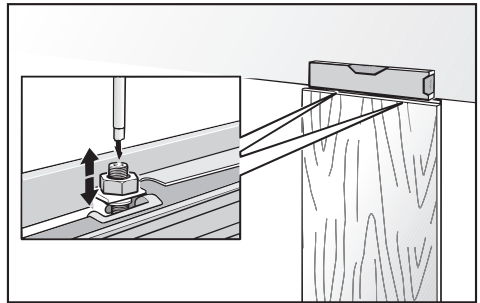


- Insert the angle trim as far as it will go into the spaces in the frame, as shown.



- Open the appliance door and hang the furniture front on its frame onto the threaded bolts, as shown ⑯
- Press the angle trim on both sides into the white plastic frame, and screw them down securely.

- Screw the nuts ⑰ loosely onto the threaded bolts - but do not tighten yet.
- Close the appliance door and check the distance between the door and neighbouring furniture doors.



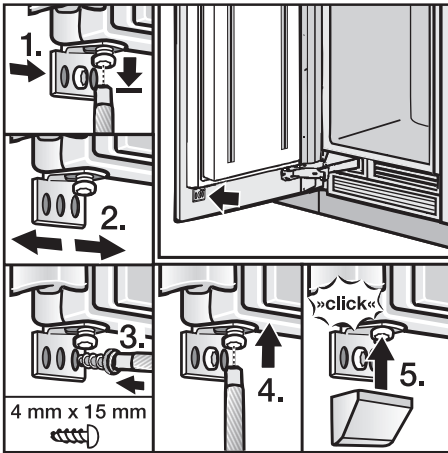
- Align the door to the side by sliding it over the threaded bolts.



- Align the depth of the door via the gaps in the angle trim. Then screw the angle trim into position.
- Now screw on the top nuts. The door is now fixed.

Installation

Fitting the fixing brackets



The fixing brackets are used to secure the furniture front to the bottom of the appliance door.

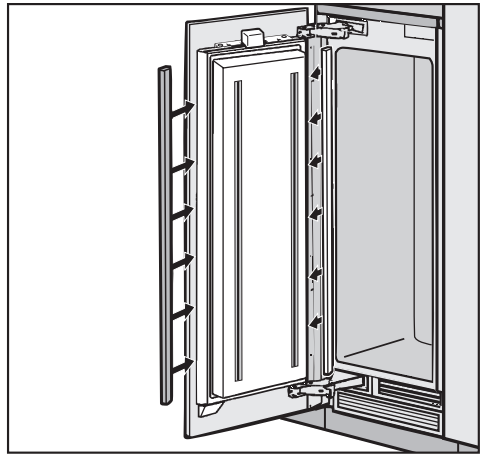
- Open the appliance door as far as it will go.
- Loosen the screws (1).
- Position the fixing bracket on the appliance door (2.) and pre-drill a hole in the furniture front.



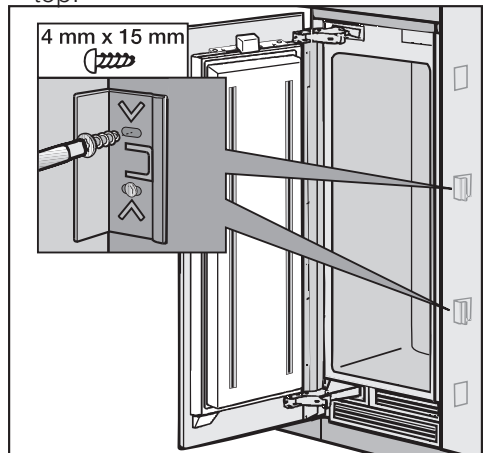
- Screw the fixing bracket securely to the furniture front (3.).
- Now tighten the screws (4.).
- Fit the cover to the fixing bracket (5.).

The number of fixing brackets required will depend on the material and width of the furniture front.

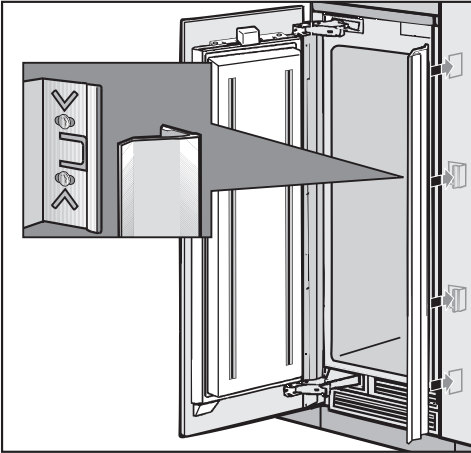
Securing the covers



- Fit the two cover strips to the sides of the appliance door, clicking them into the space between the appliance door and the furniture front, starting at the bottom and working up to the top.



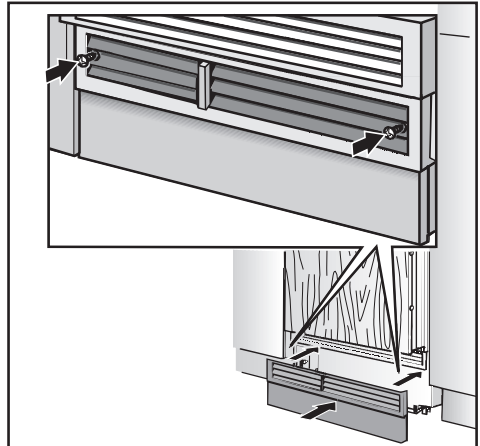
- Secure the retaining clips for the space covers on both sides.



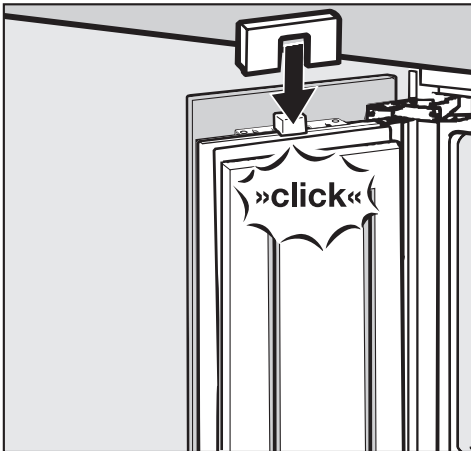
Fitting the plinth facing

Do not cover the vents in the plinth. This could result in damage to the appliance.

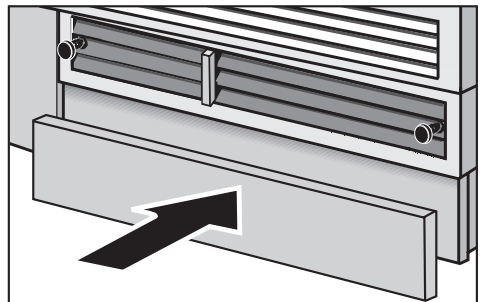
- Trim the plinth facing to the required length and height (cut along the lower edge of the plinth facing where it touches the floor).



- Now attach the covers onto the retaining clips on both sides. In the case of side-by-side installation, the cover strips are only required on the outer side.



- Secure the plinth to the appliance, and attach the cover caps supplied.



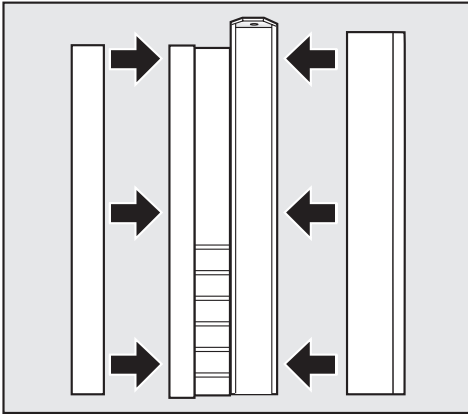
- Fit the cover to the light contact switch so that it clicks into place as shown.

- Now fit the plinth facing.

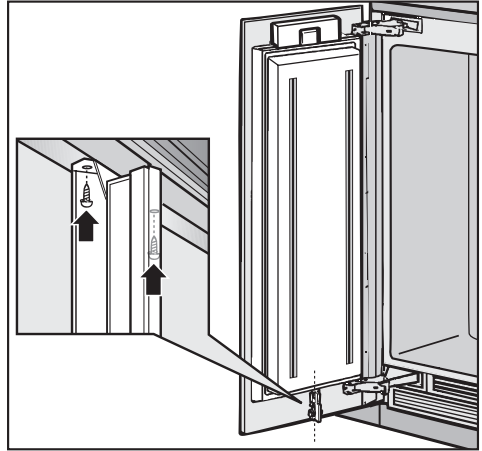
Installation

Fitting the air separator

The air separator at the bottom of the ventilation grille separates air entering the appliance from that leaving it. It also stops warm air flowing into the appliance, which would cause a short circuit.



- If necessary the three parts of the air separator can be shortened to the correct height.
- Replace the foam parts in the sides.



- Screw the air separator into the middle of the inside of the furniture front, as shown.

United Kingdom

Miele Co. Ltd.
Fairacres, Marcham Road
Abingdon, Oxon, OX14 1TW
Tel: 0845 365 0555
Fax: 0845 365 0777
Customer Contact Centre Tel: 0845 365 6600
E-mail: info@miele.co.uk
Internet: www.miele.co.uk

Australia

Miele Australia Pty. Ltd.
ABN 96 005 635 398
1 Gilbert Park Drive, Knoxfield, VIC 3180
Tel: (03) 9764 7130, Fax: (03) 9764 7149
Internet: www.miele.com.au

China

Miele (Shanghai) Trading Ltd.
1-3 Floor, No. 82 Shi Men Yi Road
Jing' an District
200040 Shanghai, PRC
Tel: +86 21 6157 3500
Fax: +86 21 6157 3511
E-mail: mieleshanghai@cn.miele.com
Internet: www.miele.cn

Miele (Hong Kong) Limited

41/F - 4101, Manhattan Place
23 Wang Tai Road
Kowloon Bay
Hong Kong
Tel: (852) 2610 1331
Fax: (852) 2610 1013
Email: mielehk@miele.com.hk

India

Miele India Pvt. Ltd.
Ground Floor, Copia Corporate Suites
Plot No. 9, Jasola
New Delhi - 110025
Tel: 011-46 900 000, Fax: 011-46 900 001
E-mail: customercare@miele.in
Internet: www.miele.in

Manufacturer: Germany - Miele & Cie. KG
Carl-Miele-Straße 29, 33332 Gütersloh



Ireland

Miele Ireland Ltd.
2024 Bianconi Avenue
Citywest Business Campus, Dublin 24
Tel: (01) 461 07 10, Fax: (01) 461 07 97
E-Mail: info@miele.ie, Internet: www.miele.ie

New Zealand

Miele New Zealand Limited
Unit L, 10-20 Sylvia Park Road
Mt. Wellington, 1060, Auckland, NZ
Tel: 0800 264 353, Fax: 0800 463 453
Internet: www.miele.co.nz

Singapore

Miele Southeast Asia
Miele Pte. Ltd.
163 Penang Road
04 - 02/03 Winsland House II
Singapore 238463
Tel: +65 6735 1191, Fax: +65 6735 1161
E-Mail: infosea@miele.com.sg
Internet: www.miele.sg

South Africa

Miele (Pty) Ltd
63 Peter Place, Bryanston 2194
P.O. Box 69434, Bryanston 2021
Tel: +27 (0) 11 548-1900
Fax: +27 (0) 11 548-1935
E-mail: info@miele.co.za
Internet: www.miele.co.za

United Arab Emirates

Miele Appliances Ltd.
P.O. Box 11 47 82
Gold & Diamond Park
Sheikh Zayed Road
Building 6 / Offices Nos. 6-214 to 6-220
Dubai
Tel: +971-4-341 84 44
Fax: +971-4-341 88 52
E-Mail: info@miele.ae
Internet: www.miele.ae

Alteration rights reserved / 3911

M.-Nr. 09 169 990 / 00

K 1801 Vi, K 1811 Vi, K 1901 Vi, K 1911 Vi



Free Manuals Download Website

<http://myh66.com>

<http://usermanuals.us>

<http://www.somanuals.com>

<http://www.4manuals.cc>

<http://www.manual-lib.com>

<http://www.404manual.com>

<http://www.luxmanual.com>

<http://aubethermostatmanual.com>

Golf course search by state

<http://golfingnear.com>

Email search by domain

<http://emailbydomain.com>

Auto manuals search

<http://auto.somanuals.com>

TV manuals search

<http://tv.somanuals.com>