

# Miele

## Operating and installation instructions



### Frost free fridge-freezer combination KDN 9713 iD KDN 9713 i-1

To avoid the risk of accidents or damage to the appliance, it is **essential** to read these instructions before it is installed and used for the first time.

en - GB

M.-Nr. 07 927 230

# Contents

---

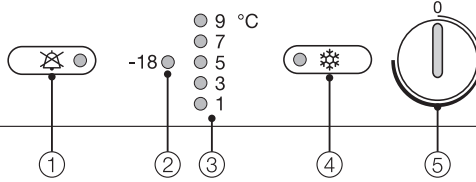
<b>Guide to the appliance</b> .....	4
Optional accessories .....	5
Bottle rack .....	5
<b>Caring for the environment</b> .....	6
<b>Warning and Safety instructions</b> .....	7
<b>How to save energy</b> .....	12
<b>Switching on and off</b> .....	13
Before using for the first time .....	13
Switching off for longer periods of time .....	14
<b>The correct temperature</b> .....	15
... in the refrigerator section .....	15
... in the freezer section .....	15
Setting the temperature .....	16
Temperature display .....	16
Freezer section temperature indicator light .....	16
<b>Alarm</b> .....	17
Temperature alarm .....	17
Door alarm .....	17
Activating the alarm system .....	17
Switching the alarm off early .....	17
<b>Super freeze</b> .....	18
Super freeze .....	18
<b>Using the refrigerator efficiently</b> .....	19
Different storage zones .....	19
Food which should not be stored in a refrigerator .....	20
When shopping for food .....	20
Storing food correctly .....	20
Fruit and vegetables .....	20
Unpacked meat and vegetables .....	21
Protein rich foods .....	21
Meat .....	21
<b>Adjusting the interior fittings</b> .....	22
Moving the shelves .....	22
Split shelf .....	22
Adjusting the door shelf/bottle shelf .....	22
<b>Freezing and storing food</b> .....	23
Maximum freezing capacity .....	23

Freezing fresh food . . . . .	23
Storing frozen food . . . . .	23
Home freezing . . . . .	24
Hints on home freezing . . . . .	24
Packing . . . . .	24
Before placing food in the freezer section . . . . .	25
Placing food in the freezer . . . . .	25
Freezing large items . . . . .	25
Defrosting . . . . .	25
Ice cubes . . . . .	26
Cooling drinks . . . . .	26
Freezer tray . . . . .	26
Cool pack. . . . .	27
<b>Automatic defrost . . . . .</b>	<b>28</b>
<b>Cleaning and care . . . . .</b>	<b>29</b>
Cleaning the interior and accessories . . . . .	29
Ventilation gaps . . . . .	30
Door seal . . . . .	30
<b>Problem solving guide . . . . .</b>	<b>31</b>
<b>Noises . . . . .</b>	<b>34</b>
<b>After Sales / Guarantee . . . . .</b>	<b>35</b>
<b>Electrical connection . . . . .</b>	<b>36</b>
<b>Installation . . . . .</b>	<b>37</b>
Location . . . . .	37
Climate range . . . . .	37
Ventilation . . . . .	37
Before installing the appliance . . . . .	38
<b>Building-in dimensions . . . . .</b>	<b>39</b>
<b>Changing the door hinging . . . . .</b>	<b>40</b>
<b>Building in the appliance . . . . .</b>	<b>41</b>
Building into a peninsular run . . . . .	41
Aligning the housing unit . . . . .	41
Building in the appliance . . . . .	42

# Guide to the appliance

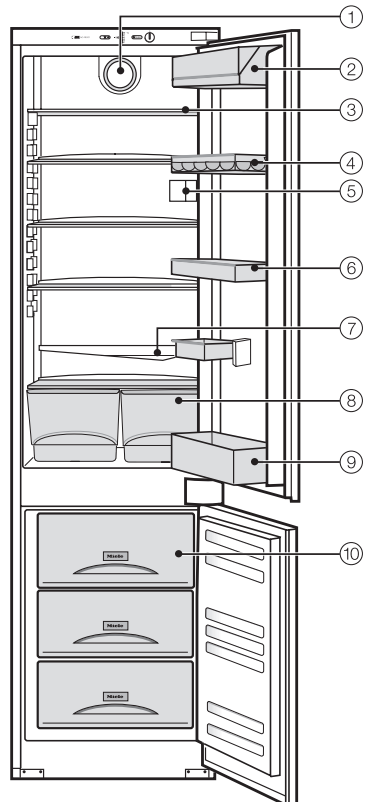
**Miele**

\*\*\*



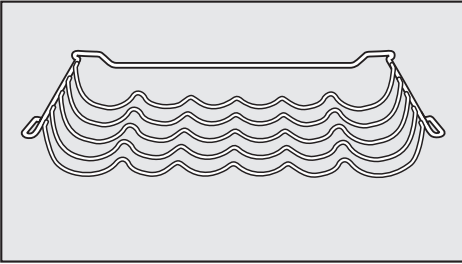
- ① Alarm off button and indicator light
- ② Freezer section temperature indicator light
- ③ Refrigerator section temperature display
- ④ Super freeze button and indicator light
- ⑤ On/Off and temperature selector dial

- ① Dynamic cooling fan
- ② Butter and cheese compartment
- ③ Adjustable shelves
- ④ Egg tray
- ⑤ Interior lighting
- ⑥ Door shelf
- ⑦ Condensate channel and drain hole
- ⑧ Fruit and vegetable containers
- ⑨ Bottle shelf
- ⑩ Freezer drawers



## Optional accessories

### Bottle rack



This bottle rack is available from the Miele Spare Parts Department or your dealer.

# Caring for the environment

---

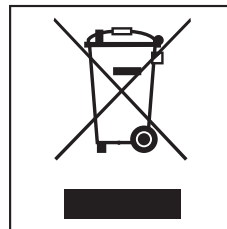
## Disposal of the packing material

The transport and protective packing has been selected from materials which are environmentally friendly for disposal, and should be recycled.

Ensure that any plastic wrappings, bags etc. are disposed of safely and kept out of the reach of babies and young children. Danger of suffocation!

## Disposal of your old appliance

Electrical and electronic appliances often contain materials which, if handled or disposed of incorrectly, could be potentially hazardous to human health and to the environment. They are, however, essential for the correct functioning of your appliance. Please do not therefore dispose of it with your household waste.



Please dispose of it at your local community waste collection / recycling centre or contact your dealer for advice. Ensure that it presents no danger to children while being stored for disposal.

Take care not to damage the pipework at the back of it before or during transportation to an authorised collection depot.

In this way, refrigerant in the pipework and oil in the compressor will be contained and will not leak out into the environment.

This appliance complies with all relevant local and national safety requirements. Improper use of the appliance can present a risk of both personal injury and damage to property.

To avoid the risk of accidents and damage to the appliance, please read these instructions carefully before using it for the first time. They contain important notes on the installation, safety, operation and care of the appliance.

Keep these instructions in a safe place and pass them on to any future user.

## Correct application

► This appliance is not designed for commercial use. It is intended for use in domestic households and in similar working and residential environments such as:

- Shops
- Offices and showrooms

and by residents in establishments such as:

- Hostels and guest houses.

It must only be used as a domestic appliance to cool and store food as well as to store deep frozen food, freeze fresh food and to prepare ice.

Any other usage is not supported by the manufacturer and could be dangerous. Miele cannot be held liable

for damage resulting from incorrect or improper use or operation of the appliance.

► This appliance is not intended for use by people with reduced physical, sensory or mental capabilities, or lack of experience and knowledge, unless they are supervised whilst using it, or have been shown how to use it correctly by a person responsible for their safety.

## Safety with children

► This appliance is not a toy! To avoid the risk of injury, do not allow children to play on or near it or to play with the controls. They should be supervised whenever you are working in the kitchen. Older children may only use the appliance if its operation has been clearly explained to them and they are able to use it safely, recognising the dangers of misuse.

► Keep children away from the appliance at all times and supervise them whilst you are using it. Do not allow children to play with the appliance, for example to climb inside the drawers or to swing on the door.

# Warning and Safety instructions

---

## Technical safety

▶ Before setting up the appliance, check it for any externally visible damage. Do not install and use a damaged appliance. It could be dangerous.

▶ If the connection cable is faulty it must only be replaced by a service technician authorised by the manufacturer to protect the user from danger.

▶ This appliance contains the coolant Isobutane (R600a), a natural gas which is environmentally friendly. Although it is flammable, it does not damage the ozone layer and does not increase the greenhouse effect. The use of this coolant has, however, led to a slight increase in the noise level of the appliance. In addition to the noise of the compressor, you might be able to hear the coolant flowing around the system. This is unavoidable, and does not have any adverse effect on the performance of the appliance.

Care must be taken during the transportation and setting up of the appliance that no parts of the cooling system are damaged. Leaking coolant can damage the eyes.

In the event of any damage:

- avoid open flames and anything which creates a spark,
- disconnect from the mains,
- air the room in which the appliance is located for several minutes and
- contact the Service Department for advice.

▶ The more coolant there is in an appliance, the larger the room it should be installed in. In the event of a

leakage, if the appliance is in a small room, there is the danger of combustible gases building up. For every 8 g of coolant at least 1 m<sup>3</sup> of room space is required. The amount of coolant in the appliance is stated on the data plate inside the appliance.

▶ Safe operation of the appliance is only assured if it has been installed and connected in accordance with these operating and installation instructions.

▶ Before connecting the appliance, make sure that the connection data on the data plate (voltage and frequency) matches the mains electricity supply. This data must correspond in order to avoid the risk of damage to the appliance. Consult a qualified electrician if in any doubt.

▶ Do not connect the appliance to the mains electricity supply by a multi-socket adapter or an extension lead. These do not guarantee the required safety of the appliance (e.g. danger of overheating).



## Warning and Safety instructions

---

- ▶ The electrical safety of this appliance can only be guaranteed when continuity is complete between it and an effective earthing system which complies with current local and national safety regulations. It is most important that this basic safety requirement is present and tested regularly, and where there is any doubt, the household wiring system should be inspected by a qualified electrician. The manufacturer cannot be held liable for damage or injury caused by the lack of or inadequacy of an effective earthing system (e.g. electric shock).
- ▶ Installation, maintenance and repairs may only be carried out by a service technician authorised by the manufacturer in strict accordance with current national and local safety regulations. Repairs and other work by unqualified persons could be dangerous. The manufacturer cannot be held liable for unauthorised work.
- ▶ While the appliance is under guarantee, repairs should only be undertaken by a service technician authorised by the manufacturer. Otherwise the guarantee will be invalidated.
- ▶ The appliance must be isolated from the electricity supply during installation, maintenance and repair work.
- ▶ Faulty components must only be replaced by genuine Miele original spare parts. The manufacturer can only guarantee the safety of the appliance when Miele replacement parts are used.
- ▶ This appliance may only be used in mobile installations if a risk assessment of the installation has been carried out by a suitably qualified engineer.
- ▶ In areas which may be subject to infestation by cockroaches or other vermin, pay particular attention to keeping the appliance and its surroundings in a clean condition at all times. Any damage which may be caused by cockroaches or other vermin will not be covered by the guarantee.

# Warning and Safety instructions

---

## Correct use

- ▶ Never handle frozen food with wet hands. Your hands may freeze to the frozen food. Danger of frost burn.
- ▶ Do not take ice cubes out with your bare hands and never place ice cubes or ice lollies in your mouth straight from the freezer.  
The very low temperature of the frozen ice or lollies can cause frost burn to the lips and tongue.
- ▶ Do not refreeze thawed or partially thawed food.  
Defrosted food should be used up as quickly as possible as food soon loses its nutritional value and goes off.  
Defrosted food may only be re-frozen after it has been cooked.
- ▶ Do not store explosive materials in the appliance or any products containing propellants (e.g. spray cans). Thermostats switching on may produce sparks which could present a fire hazard. Flammable compounds could explode.
- ▶ Do not operate any electrical equipment (e.g. an electric ice-cream maker) inside the appliance. Danger of sparking and explosion.
- ▶ If storing alcohol with a high percentage proof, make sure it is tightly closed and stored upright. Danger of explosion.

▶ Do not store cans or bottles containing carbonated drinks or liquids which could freeze in the freezer section. The cans or bottles could explode. Danger of injury and damage to the appliance.

▶ When cooling drinks quickly in the freezer section, make sure bottles are not left in for more than one hour, otherwise they could burst, causing injury or damage.

▶ Observe the "use-by" dates given on food to avoid the risk of food poisoning. Storage times will depend on several factors, including the freshness and quality of the food as well as the temperature at which it is stored. Follow the instructions given on the food manufacturer's packaging regarding storage conditions and "use-by" dates.

- ▶ Do not use sharp edged objects to
  - remove frost and ice,
  - separate frozen foods and remove ice trays.

They will damage the evaporator, causing irreversible damage to the appliance.

▶ Never place electric heaters or candles in the appliance to defrost it. These can damage the plastic parts.

# Warning and Safety instructions

---

▶ Do not use defrosting sprays or de-icers, as they might contain substances which could damage the plastic parts or which could cause a build-up of gases and pose a danger to health.

▶ Do not use any oils or grease on the door seals, as these will cause the seals to deteriorate and become porous with time.

▶ If storing food which contains a lot of fat or oil, make sure that it does not come into contact with plastic components as this could cause stress cracks.

▶ Do not block the ventilation gap in the plinth or the top of the appliance housing unit as this would impair the efficiency of the appliance, increase the electricity consumption and could cause damage to the appliance.

▶ This appliance is designed for use within certain climate ranges (ambient temperatures), and should not be used outside this range. The climate range for your appliance is stated on the data plate inside the appliance. Installing it in a room with too low an ambient temperature, e.g. a garage, can lead to the appliance switching off for longer periods so that it cannot maintain the required temperature.

▶ Never use a steam-cleaning appliance to defrost or clean this appliance. Steam could reach the electrical components and cause a short circuit.

## Disposal of your old appliance

▶ Before disposing of an old appliance, first make the door latches or locks unusable.

This way you will prevent children from accidentally locking themselves in and endangering their lives.

▶ Be careful not to damage any part of the pipework whilst awaiting disposal, e.g. by

- puncturing the refrigerant channels in the evaporator.
- bending any pipework.
- scratching the surface coating.

Splashes of refrigerant can damage the eyes.

The manufacturer cannot be held liable for damage caused by non-compliance with these Warning and Safety instructions.

# How to save energy

	<b>Normal energy consumption</b>	<b>Increased energy consumption</b>
<b>Installation site</b>	In a ventilated room.	In an enclosed, unventilated room.
	Protected from direct sunlight.	In direct sunlight.
	Not near to a heat source (radiator, oven).	Near to a heat source (radiator, oven).
	Where the ideal ambient room temperature is approx. 20°C.	Where there is a high ambient room temperature.
	Do not cover the ventilation gaps and dust them regularly.	
<b>Temperature setting with a thermostat which is approximate (set in stages).</b>	With a medium setting of 2 to 3.	With a high setting: the lower the temperature in the compartment, the higher the energy consumption.
<b>Temperature setting with a thermostat which is exact to the degree (digital display).</b>	Larder section 8 to 12 °C	On appliances with winter setting, please make sure that the winter setting is switched off when the ambient temperature is warmer than 16 °C .
	Refrigerator section 4 to 5 °C	
	PerfectFresh zone just above 0 °C	
	Freezer section -18 °C	
	Wine storage section 10 to 12 °C	
<b>Use</b>	Drawers, shelves and racks arranged as they were when the appliance was delivered.	
	Only open the door when necessary and for as short a time as possible.	Frequent opening of the door for long periods will cause a loss of coldness.
	Store food in an organised way.	Searching for an item will mean the door is open for longer.
	Allow hot food and drinks to cool down before placing them in the appliance.	Hot food will cause the refrigerator unit to run for a long time, as the appliance will have to work harder to reduce the temperature.
	Store food covered or packaged.	The evaporation or condensation of liquids will cause a loss of coldness in the refrigerator.
	Place frozen food in the refrigerator to defrost.	
	Do not over-fill the appliance to allow air to circulate.	
<b>Defrosting</b>	Defrost the freezer section when a layer of ice 0.5 cm thick has built up.	A layer of ice hinders the cold from reaching the frozen food, and increases energy consumption.

## Before using for the first time

Important:

To ensure the correct functioning of the appliance, let it stand for between 1½ and 2 hours after transporting it to its final location before connecting it to the mains.

## Protective foil

The stainless steel trim to the interior shelves and the door shelves has a layer of protective foil to prevent damage during transportation.

- Carefully remove the protective foil from the stainless steel trim.

## Cleaning

- Clean the inside of the appliance and the accessories with lukewarm water and a little washing-up liquid, and then dry with a soft cloth.

## Switching on



- Using a coin, turn the On/Off dial in a clockwise direction away from the "0" position.

Forcing it beyond its range will damage it. Turn it only as far as it will go, then turn it back again.

The temperature display for the refrigerator section will light up and the interior lighting will come on when door is opened.

The freezer section temperature indicator will light up continuously. The alarm indicator light will also light up. It will go out when the temperature in the freezer is cold enough.

The appliance starts cooling.

Allow the appliance to run for a few hours before placing food in it. This will ensure that the temperature is sufficiently low.

## Cool pack

Place the cool pack in the top drawer of the freezer section. The cool pack will be at its most effective after it has been in the freezer for approx. 24 hours.

## Switching off

- Using a coin, turn the temperature selector in an anti-clockwise direction back to the "0" position.

# Switching on and off

---

The cooling system and the interior lighting are now switched off.

## Switching off for longer periods of time

If the appliance is not going to be used for a longer period of time, e.g. whilst on holiday:

- switch the appliance off,
- disconnect it from the mains,
- clean the appliance out and
- leave the doors ajar to air the appliance.

If, during a long absence, the appliance is switched off but not cleaned out and the doors are left shut, there is a danger of mould and odours building up inside the appliance.

## The correct temperature

---

It is very important to set the correct temperature for storing food in the appliance. Micro-organisms will cause food which is not stored at the correct temperature to deteriorate rapidly. Temperature influences the growth rate of these micro-organisms. Reducing the temperature reduces their growth rate.

The temperature in the appliance will rise:

- the more often the door is opened and the longer it is kept open,
- the more food that is stored in the appliance,
- the warmer the food is which is being put into it,
- the higher the ambient temperature surrounding the appliance.

The appliance is designed for use in specific ambient temperatures (climate ranges). Do not use in ambient temperatures for which it is not designed.

### . . . in the refrigerator section

We recommend a temperature of **5 °C** in the middle of the refrigerator.

### . . . in the freezer section

To freeze fresh food and to store frozen food for a long time, a temperature of **-18 °C** is required. At this temperature the growth of micro-organisms is generally halted. As soon as the temperature rises above -10 °C, the micro-organisms become active in the food again so that it cannot be kept as long. For this reason, partially defrosted or defrosted food must not be re-frozen. Food may be re-frozen once it has been cooked, as the high temperatures achieved when cooking destroy most micro-organisms.

# The correct temperature

## Setting the temperature

The temperature for the refrigerator section is set using the temperature dial.

The higher or lower the temperature in the refrigerator section, the higher or lower it is in the freezer section.



- Using a coin, turn the On/Off dial in a clockwise direction away from the "0" position.

The higher the setting, the lower the temperature in the appliance.

The temperature being set will flash in the display.

Forcing the dial beyond its range will damage it. Turn it only as far as it will go, then turn it back again.

## Temperature display

The temperature display on the control panel always shows the **required** temperature.

For example, if you want to set the temperature for the refrigerator section at **5 °C**,

- turn the temperature selector clockwise from 0 until 5°C lights up on the control panel.

The temperature can be set slightly colder than the displayed temperature (e.g. between 5°C and 3 °C).

- To do so, turn the temperature dial slowly in a clockwise direction from e.g. 5, until the 5 flashes briefly in the temperature display.

The colder temperature is now set.

If frozen food is to be stored in the **freezer section** then a setting of between **3 °C to 5 °** is recommended to ensure that the required temperature in the freezer section is maintained.

It is also advisable to set the temperature within this range if the doors are opened frequently, large quantities of food are being stored in the appliance or there is a high ambient temperature.

## Freezer section temperature indicator light

The indicator light shows that the freezer section is on.



Your appliance has been fitted with a warning system which ensures that the temperature in the freezer cannot rise unnoticed and to avoid energy being wasted if a door is left open.

## Temperature alarm

An alarm will sound and the alarm indicator light will flash if the temperature in the freezer section becomes too warm.

The temperature the appliance is set at determines the temperature the appliance recognises as being too warm.

The alarm will sound and the alarm indicator light will flash,

- if the freezer door has been left open for a while, e.g. in order to load, re-arrange or take food out.
- when freezing large amounts of food at once.
- if there has been a lengthy interruption to the power supply.

Depending on the temperature in the freezer, you should check the condition of the food. If food has defrosted or started to defrost, check that it is still safe to use, and if so, use it as quickly as possible. Defrosted food may only be re-frozen after it has been cooked.

## Door alarm

The alarm will sound if the freezer section door has been left open for more than approx. 60 seconds.

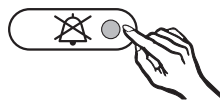
## Activating the alarm system

The alarm system is always active. It does not have to be switched on manually.

## Switching the alarm off early

The alarm will stop and the indicator light will go out when the temperature reaches the correct level again.

However, if the noise disturbs you, you can switch the alarm off before this if you wish.



- Press the alarm off button.

The alarm will stop. The indicator light will stay on until the correct temperature has been reached. The alarm system is then ready should it be needed again.

# Super freeze

---

## Super freeze

Switch the Super freeze function on before putting fresh food into the freezer.

This helps food to freeze quickly and retain its nutrients, vitamins, flavours and appearance.

### Super freeze is not necessary:

- when putting in food that is already frozen.
- when freezing less than 2 kg fresh food daily.

## Switching on Super freeze

When freezing small quantities of food in the freezer, the Super freeze function should be switched on **6 hours beforehand**. When freezing **the maximum load of food** the Super freeze function should be switched on **24 hours beforehand**.



- Press the Super freeze button. The Super freeze indicator light will come on.

The appliance works at full power to lower the temperature in the appliance.

## Switching off Super freeze

The Super freeze function will switch off automatically after approx. 65 hours. The indicator light will go out and the appliance will run at normal power again.

To save energy, the Super freeze function can be switched off once a **constant** temperature of  $-18^{\circ}\text{C}$  or colder has been reached in the freezer. You should also check the temperature inside the appliance from time to time.

- Press the Super freeze button. The Super freeze indicator light will go out, and the appliance will continue to operate at normal power.

# Using the refrigerator efficiently

## Different storage zones

Due to the natural circulation of the air in the appliance, there are different temperature zones in the refrigerator. Cold, heavy air sinks to the lowest section of the appliance. Make use of the different zones when placing food in the appliance.

### Warmest area

The warmest area is in the top section of the door. Use this for storing butter and cheese.

### Coldest area

The coldest area in a refrigerator is directly above the vegetable containers.

Use this for all delicate and highly perishable food, e.g.

- fish, meat, poultry,
- sausage products, ready meals,
- dishes or baked goods containing eggs or cream,
- fresh dough, cake mixtures, pizza or quiche dough,
- soft cheese and other dairy products,

- pre-packed vegetables and other fresh food with a label stating it should be kept at a temperature of approx. 4 °C.

Do not store explosive materials in the appliance or any products containing propellants (e.g. spray cans). Danger of explosion.

If storing alcohol with a high percentage proof, make sure it is tightly closed, and store upright.

Do not store cooking oil in the refrigerator door. Traces of oil can cause stress cracks to occur in the plastic components in the door.

Food must not touch the back wall of the refrigerator, as it may freeze to the back wall.

To allow air to circulate efficiently, do not pack food too closely together in the refrigerator. Do not cover the fan in the rear wall of the refrigerator, as this is essential for keeping the appliance cool.

# Using the refrigerator efficiently

---

## Food which should not be stored in a refrigerator

Not all food is suitable for refrigeration, as some food is sensitive to cold. Cucumbers, for example, become glassy, aubergines bitter and potatoes sweet. Tomatoes and oranges lose their aroma, and the peel on citrus fruit hardens.

Food which should not be stored in a refrigerator includes:

- pineapple, pomegranate, bananas, avocado, mangos, papaya, passion fruit, citrus fruit
- fruit which is not yet ripe
- aubergines/egg plant, cucumbers, potatoes, peppers/capsicum, tomatoes, courgettes,
- some hard cheeses, e.g. Parmesan

## When shopping for food

The freshness of food when first placed in the appliance is an important factor in determining how long it stays fresh, and how long it can be kept in the refrigerator. Time out of the refrigerator, e.g. during transportation, should be kept to a minimum. For example, do not allow food to stay in a hot car for too long. Once food has started to deteriorate, this process cannot be reversed. As little as two hours outside the refrigerator can cause food to start deteriorating.

## Storing food correctly

Food should generally be stored covered or packaged. This will prevent food smells from affecting other foods, food from drying out, and also any cross-contamination of bacteria. The growth of bacteria, such as salmonella, can be avoided by setting the correct temperature and maintaining good standards of hygiene.

## Fruit and vegetables

Fruit and vegetables may be stored loose in the vegetable containers. Please be aware that not all types of fruit and vegetables are suitable for storing in the same container. Aromas and flavours can transfer from one type of food to another (e.g. carrots absorb the smell and flavour of onions very easily). Some food also gives off a natural gas (ethylene) which speeds up the rate at which other food perishes.

### – Examples of fruit and vegetables which produce a large amount of this natural gas are:

Apples, apricots, pears, nectarines, peaches, plums, avocado, figs, blueberries, melons and beans.

# Using the refrigerator efficiently

---

– **Examples of fruit and vegetables which react strongly to the natural gases given off by other types of fruit and vegetables are:**

Kiwis, broccoli, cauliflower, brussels sprouts, mangos, honeydew melons, apples, apricots, cucumbers, tomatoes, pears, nectarines and peaches.

**Example:** Broccoli should not be stored with apples, as apples produce a large amount of natural gas to which broccoli is very sensitive. The result is a shorter than expected storage time for the broccoli.

## **Unpacked meat and vegetables**

Unpackaged meat and vegetables should be stored separately. To avoid any microbiological cross-contamination, these foods may only be stored together if they are wrapped.

## **Protein rich foods**

Please note that foods rich in protein deteriorate faster than others. Shellfish, for example, deteriorates faster than fish, and fish deteriorates faster than meat.

## **Meat**

Meat should be stored unwrapped. (Undo wrappings slightly to leave meat loosely covered, and leave containers open). This permits air to circulate around the meat, allowing the surface to dry slightly, which helps prevent the growth of bacteria. To prevent the risk of bacterial cross-contamination and meat deteriorating, do not let one type of meat come into direct contact with another type.

# Adjusting the interior fittings

## Moving the shelves

The shelves can be adjusted according to the height of the food.

- Raise the shelf, and pull it forwards slightly until the notch at the side is in line with the shelf support. It can then be raised or lowered to the required level.

The raised edge at the back must face upwards to prevent food from touching the back of the appliance and freezing to it.

Stoppers prevent the shelves from being dislodged by mistake.

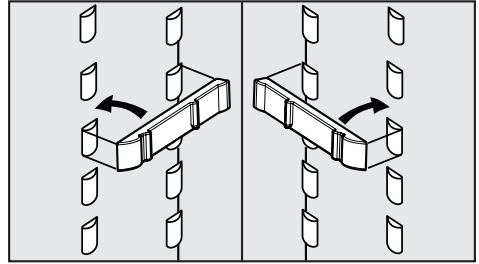
## Split shelf

In order to accommodate tall items in the appliance, one of the shelves is divided. The front section can be pushed under the rear section.

- Push the rear half of the glass shelf up slightly from below.
- At the same time, pull the front half of the glass shelf forwards slightly and then push it carefully under the rear half.

To move the split shelf:

- Take both halves of the split glass shelf out,



- fit the two brackets onto the supports on either side at the required height,
- and push the glass shelves in one after the other. The shelf with the raised edge must be at the back.

## Adjusting the door shelf/bottle shelf

- Push the door/bottle shelf upwards, then remove it by pulling it forwards.
- Replace the door/bottle shelf at the required position. Ensure that it is securely pushed back into position.

## Maximum freezing capacity

To ensure that fresh food placed in the freezer freezes through to the core as quickly as possible, the maximum freezing capacity must not be exceeded. The maximum freezing capacity for freezing within a 24-hour period is given on the data plate: "Freezing capacity ....kg/24 hrs".

## Freezing fresh food

Fresh food should be frozen as quickly as possible. This way the nutritional value of the food, its vitamin content, appearance and taste are not impaired.

Food which takes a long time to freeze will lose more water from its cells, which then shrink.

During the defrosting process, only some of this water is reabsorbed by the cells; the rest collects around the food.

If food is frozen quickly, the cells have less time to lose moisture, so they shrink less. As there is not so much moisture loss, it is easier for the food to reabsorb it during the defrosting process, and very little water collects around the defrosted food.

## Storing frozen food

When buying frozen food to store in your freezer, check

- that the packaging is not damaged,
- the use-by date,
- the temperature at which the frozen food is being stored in the shop. The length of time it can be kept is reduced if it has been stored at a temperature warmer than -18 °C.

- Buy frozen food once you have finished the rest of your shopping, and wrap it in newspaper or use a cool bag or cool box to transport it.
- Store it in the freezer as soon as possible.

Never re-freeze partially or fully defrosted food. Consume defrosted food as soon as possible as it will lose its nutritional value and spoil if left for too long. Defrosted food may only be re-frozen after it has been cooked.

# Freezing and storing food

---

## Home freezing

Only freeze fresh food which is in a good condition.

### Hints on home freezing

- The following types of food **are suitable** for freezing:  
Fresh meat, poultry, game, fish, vegetables, herbs, fresh fruit, dairy products, pastry, leftovers, egg yolks, egg whites and a range of pre-cooked meals.
- The following types of food **are not suitable** for freezing:  
Grapes, lettuce, radishes, sour cream, mayonnaise, eggs in their shells, onions, whole raw apples and pears.
- To retain colour, taste and vitamin C, vegetables should be blanched after they have been trimmed and washed.  
To blanch: bring a large saucepan of water to the boil, immerse the vegetables in the fast boiling water for 2-3 minutes, depending on variety. Remove, and plunge into ice-cold water to cool quickly. Drain and pack ready for freezing.
- Lean meat freezes better than fatty meat, and can be stored for considerably longer.
- To prevent chops, steaks, cutlets or rolled meat from freezing together in solid blocks when packed, separate with a sheet of plastic freezer film.

- Do not season fresh foods or blanched vegetables before freezing. Only season cooked food lightly before freezing, but care should be taken as the taste of some spices alters when frozen.
- Do not place hot foods or drinks in the freezer. This causes already frozen food to thaw, and increases the energy consumption considerably. Allow hot foods and drinks to cool down before placing them in the freezer.

## Packing

- Freeze food in portions.

### Unsuitable packing material

- wrapping paper
- grease-proof paper
- cellophane
- bin bags
- plastic carrier bags

### Suitable packing material

- plastic freezer film
- freezer bags
- aluminium foil
- freezer containers
- Expel as much air as possible from bags etc. before sealing them, to prevent freezer-burn on food.
- Close the packaging tightly with
  - rubber bands
  - plastic clips
  - string or bag ties
  - freezer tape.

Freezer bags may also be sealed using home heat sealing kits.



- Make a note of the contents and the date of freezing on the packaging.

## Before placing food in the freezer section

- When freezing more than 2 kg of fresh food, switch on the Super freeze function for some time before placing the food in the freezer (see "Super freeze").  
This also helps to prevent food that is already in the freezer from starting to defrost.

## Placing food in the freezer

Food to be frozen can be placed anywhere in the freezer.

Large quantities should be placed directly on the glass cold plates to freeze the food quickly. To do this first take out the top two freezer drawers. When removing the top drawer, make sure that you do not block the ventilation slits in the back wall of the appliance. They are important for trouble-free operation of the appliance.

The lowest freezer drawer must always remain in the appliance.

Each drawer and glass cold plate can take a maximum of 25 kg.

- Place the food flat in the bottom of the freezer drawers or on the glass cold plates so that it freezes through to the core as quickly as possible.
- Make sure that the packaging and containers are dry to prevent them sticking together when frozen.

When freezing, make sure that food already frozen does not come into contact with fresh food being frozen as this could cause the frozen food to begin to defrost.

## Freezing large items

If you wish to freeze large items such as a turkey or game, the glass cold plates between the drawers can also be removed. To do this:

- Remove the top two freezer drawers, and carefully lift and slide out the glass cold plates.

## Defrosting

Frozen food can be defrosted in different ways:

- in a microwave oven,
- in an oven using the "Fan" or "Defrost" setting,
- at room temperature,
- in the refrigerator (the cold given off by the frozen food helps to keep the food cold),
- in a steam oven.

**Poultry** It is particularly important to observe food hygiene rules when defrosting poultry. Do not use the liquid from defrosted poultry. Pour it away and wash the container it was in, the sink and your hands. Danger of salmonella poisoning.

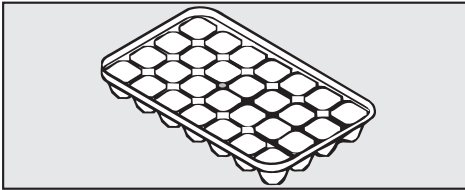
**Fruit** should be defrosted at room temperature in its packaging, or in a covered bowl.

# Freezing and storing food

**Most vegetables** can be cooked while still frozen. Just put straight into boiling water or hot fat. The cooking time is slightly less than that of fresh vegetables due to changes in the cell structure.

Never re-freeze partially or fully defrosted food. Consume defrosted food as soon as possible as it will lose its nutritional value and spoil if left for too long. Defrosted food may only be re-frozen after it has been cooked.

## Ice cubes



- Fill the ice tray three quarters full with water, and place it in the bottom of one of the drawers.
- Once frozen, use a blunt instrument, for example a spoon handle, to remove the ice tray from the freezer.
- Ice cubes can be removed easily from the tray by twisting the tray gently or by holding it under cold running water for a short while.

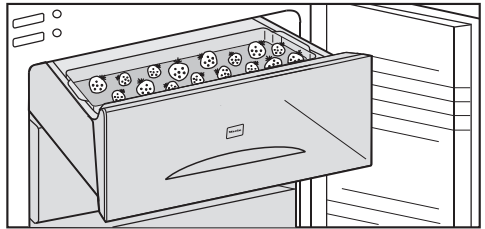
## Cooling drinks

When placing bottles in the freezer section for rapid cooling, **make sure they are not left in for more than one hour** as they could burst.

## Freezer tray

The freezer tray is useful for freezing small items such as berries, herbs and vegetables. They can be frozen individually and therefore maintain their shape when defrosted.

- Space the food out loosely on the tray.



- Hang the tray in the top or middle freezer drawer.

Leave the food for 10-12 hours to freeze thoroughly on the tray. Transfer it to a freezer bag or suitable container once frozen. Place the bag or container in the freezer drawer.

## Cool pack

The cool pack prevents the temperature in the freezer rising too quickly in the event of a power cut.

Place the cool pack in the top drawer of the freezer section, directly on top of the food. The cool pack will be at its most effective after it has been in the freezer for approx. 24 hours.

If there is a power cut, place the cool pack directly on top of the frozen food in the top drawer so that the food will be kept cold for as long as possible.

When placing fresh food in the freezer, use the cool pack to separate the fresh food from the food which is already frozen so that the frozen food does not begin to thaw.

The cool pack can also be used in a cool bag to keep food or drinks cool for a short period of time.

# Automatic defrost

---

## Refrigerator section

The refrigerator defrosts automatically.

Condensate and frost can build up on the back wall of the refrigerator section whilst it is in use. You do not need to remove this, as it will defrost and evaporate automatically with the warmth generated by the appliance.

The condensate is drained away via a channel and drain hole into an evaporation system at the back of the appliance.

Ensure that the condensate channel and drain hole are kept clean and are never blocked so that condensate can flow away without hindrance.

## Freezer section

This appliance is equipped with a "Frost free" system. The freezer section defrosts automatically.

The moisture generated in the appliance collects on the condenser and is automatically defrosted and dissipated from time to time.

This automatic defrosting system enables the freezer section to remain permanently ice-free, however, the food stored in the freezer section will not defrost.

A range of Miele branded cleaning and conditioning products is available to order from Miele or [www.miele-shop.com](http://www.miele-shop.com).

Do not let water get into the temperature selector or into the light.

Do not let water get into the drainage channel and drain hole when cleaning.

Do not use steam cleaning apparatus to clean the appliance. Steam could reach the electrical components and cause a short circuit.

The data plate located inside the appliance must not be removed. It contains information which is required in the event of a service call.

## **To avoid damaging the surface of your appliance, do not use:**

- cleaning agents containing soda, ammonia, acids or chlorides,
- cleaning agents containing descaling agents,
- abrasive cleaning agents, e.g. powder cleaners and cream cleaners,
- solvent-based cleaning agents,
- stainless steel cleaning agents,
- dishwasher cleaner,
- oven sprays,
- glass cleaning agents,

- hard, abrasive sponges and brushes, e.g. pot scourers,
- melamine eraser blocks,
- sharp metal scrapers.

## **Before cleaning**

- Switch the appliance off.
- Disconnect it from the mains.
- Take any food out of the appliance and store it in a cool place.
- Take out any removable parts, e.g. shelves, for cleaning.

## **Cleaning the interior and accessories**

- Clean the appliance at least once a month using lukewarm water and a little washing-up liquid.

The following are dishwasher safe:

- the butter dish, egg trays, ice cube tray (supplied as standard, depending on model)
- the shelves and bottle shelf in the door
- the butter and cheese compartment

The temperature of the dishwasher programme must not exceed 55 °C. Contact with some foodstuffs, such as carrots, tomatoes or ketchup can cause plastic items to discolour. However, this discolouration will not affect the stability of plastic items.

## Cleaning and care

---

- Clean the interior shelves and drawers by hand. These are **not** suitable for cleaning in a dishwasher.
- Clean the condensate channel and drain hole frequently, so that condensate can drain away unhindered. Use a straw or similar to clear the drain if necessary.
- After cleaning, wipe the interior and accessories with a damp cloth and dry with a soft cloth.  
Leave the door open to air the appliance for a short while.

### Ventilation gaps

- The ventilation gaps should be cleaned on a regular basis with a brush or vacuum cleaner. A build-up of dust will increase the energy consumption of the appliance.

### Door seal

Do not use any oils or grease on the door seal as these will cause the seal to deteriorate and become porous over time.

The door seal should be cleaned regularly with clean water, and then wiped dry with a soft cloth.

### After cleaning

- Replace all shelves and accessories in the appliance.
- Close the appliance door.
- Insert the plug in the socket and switch on at the mains. Then switch the appliance back on.
- Switch on the Super cool function for a while so that the appliance can cool down quickly.
- Place food back in the appliance and close the door.

Repairs to electrical appliances should only be carried out by a suitably qualified and competent person in strict accordance with current local and national safety regulations. Repairs and other work by unqualified persons could be dangerous. The manufacturer cannot be held liable for unauthorised work. Ensure that current is not supplied to the appliance until after maintenance or repair work has been carried out.

Some minor problems can be corrected without contacting the Miele Service Department.

### What to do if . . .

#### **. . . the appliance does not get cool.**

- Make sure that the temperature dial is not set at "0".
- Check that the plug is correctly inserted in the socket and switched on.
- Check that the fuse is not defective and that the mains fuse has not tripped. If it has, contact the Miele Service Department.

#### **. . . the temperature in the refrigerator section or freezer section is too low.**

- Turn the temperature dial to a lower setting.
- The Super freeze function is still on and the Super freeze indicator light is on.

The Super freeze function switches itself off automatically after approx. 65 hours.

- Check that the doors have been closed properly.
- Has a large amount of fresh food been frozen at the same time? This makes the compressor run for longer, causing the temperature in the refrigerator section to fall automatically.

#### **. . . the door to the freezer section will not open because it has been opened and closed too many times in succession.**

- This is not a fault. The suction caused by opening and closing the door is preventing the door from opening. Wait a few minutes and then try again. It should now open without force.

#### **. . . the compressor is switching in too frequently and for too long.**

- Check whether the ventilation gaps in the plinth and in the housing unit at the top have been covered over or become too dusty.
- The doors have been opened too frequently, or a large amount of fresh food has been put in at once for freezing.
- Check that the doors have been closed properly.

## Problem solving guide

### ... the frozen food is thawing because the freezer section is too warm.

- Is the room temperature lower than the ambient temperature for which the appliance is designed?

If so, raise the temperature of the room.

Operating in a room which is too cold will cause the cooling system to switch off for too long causing the freezer section to become too warm.

### ... food has frozen together.

Use a blunt instrument, e.g. a spoon handle or plastic scraper, to prise it apart carefully.

### ... the alarm sounds and the alarm indicator light is flashing.

The temperature has risen above the setting on the temperature dial because

- the door has been opened too frequently, or large amounts of fresh food have been put in at once for freezing.
- the temperature dial has been turned to a higher setting and the appliance has not yet had sufficient time to reach the temperature set.
- the ventilation gaps are blocked.

Once the problem has been resolved the alarm indicator light will go out and the alarm will stop.

### ... the Super freeze indicator light and the temperature display are both flashing at the same time.

There is a fault. Call the Service Department.

### ... the Super freeze indicator light does not light up, even though the appliance is working.

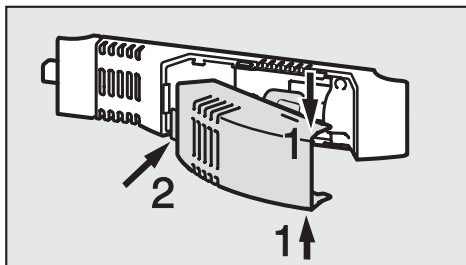
The indicator light is defective. Call the Service Department.

### ... the interior light in the refrigerator section is not working.

Has the refrigerator door been left open for too long? The lighting switches itself off automatically after approx. 15 minutes.

If it also does not come on when the door is opened briefly, but the temperature display is working, then the lamp is defective.

- Disconnect the appliance from the mains. Switch off at the wall and withdraw the plug from the socket, or disconnect the mains fuse or remove the screw-out fuse in countries where this is applicable.



- Grasp the lamp cover at the top and at the bottom (1), and pull it forwards to remove (2).

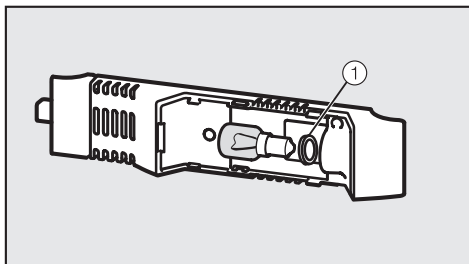


- Unscrew the lamp. This requires some strength, as the safety catch needs to be released.
- Change the lamp.

Lamp specification:

220 - 240 V, E 14 fitting

See the old lamp for the Wattage required.



- Screw the new lamp into the connection. Make sure the safety catch is correctly fitted ①.
- Replace the lamp cover, and click it into place at the sides.

### **. . . the floor of the refrigerator is wet.**

The drain hole is blocked.

- Clean the condensate channel and drain hole.

If you still cannot remedy the fault having followed these suggestions, please contact the Miele Service Department.

To prevent unnecessary loss of temperature, it is advisable not to open the doors while waiting for the appliance to be serviced.

# Noises

Normal noises	What causes them
<b>Brrrrr...</b>	Humming noise made by the motor (compressor). This noise can get louder for brief periods when the motor is switching on.
<b>Blubb, blubb....</b>	A gurgling noise can be heard when coolant is circulating through the pipes.
<b>Click....</b>	Clicking sounds are made when the thermostat switches the motor on and off.
<b>Sssrrrrr....</b>	On multi-zone and frost-free appliances you can sometimes just hear the movement of air circulating inside the appliance.
<b>Creak ...</b>	Creaking sounds can be heard when material inside the appliance expands.

Remember that the noise of the compressor and the coolant circulating in the system is unavoidable.

Noises that you can easily rectify	What causes them, and what can you do about them
<b>Rattling, vibrating</b>	<b>The appliance is uneven:</b> Realign the appliance using a spirit level, by raising or lowering the screw feet underneath the appliance.
	<b>The appliance is touching another appliance or piece of furniture:</b> Move it away.
	<b>Drawers, baskets or shelves are unstable or sticking:</b> Check all removable items and refit them correctly.
	<b>Are any bottles or containers unstable or knocking against each other?</b> Separate them.
	<b>The transport cable clips are hanging loose at the back of the appliance:</b> Remove the clips.

In the event of a fault which you cannot correct yourself, or if the appliance is under guarantee, please contact:

– your Miele Dealer

or

– Miele  
(see back cover for contact details).

When contacting your Dealer or Miele, please quote the model and serial number of your appliance. This information is given on the data plate inside your appliance.

Please note that telephone calls may be monitored and recorded for training purposes.

N.B. A call-out charge will be applied for service visits where the problem could have been resolved as described in these instructions.

### **Guarantee**

For information on the appliance guarantee specific to your country please contact Miele. See back cover for contact details.

In the U.K. your appliance is guaranteed for 2 years from the date of delivery. However, you must activate your cover by calling 0845 365 6640 or registering online at [www.miele.co.uk](http://www.miele.co.uk).

# Electrical connection

---

## Electrical connection U.K.

All electrical work should be carried out by a suitably qualified and competent person in strict accordance with current local and national safety regulations (BS 7671 in the UK).

The appliance is supplied with a mains cable and moulded plug ready for connection to an a.c. single phase 220-240 V 50 Hz supply.

Please ensure that the connection data quoted on the data plate match the household mains supply.

Connection should be made via a suitable switched socket which is easily accessible. For extra safety it is advisable to protect the appliance with a suitable residual current device (RCD).

Do not connect the appliance to the mains electricity supply by an extension lead. Extension leads do not guarantee the required safety of the appliance (e.g. danger of overheating).

This appliance must not be connected to the inverter of an autonomous power supply, e.g. a solar power system. When switching the appliance on, a surge in power could trigger the safety cut-out mechanism. This could damage the electronic unit.

The appliance must not be used with so-called energy saving devices. These reduce the energy supply to the appliance which could then become too warm. Using such devices could alter the specification of the product.

## Non-rewireable plugs (BS 1363)

The fuse cover must be re-fitted when changing the fuse, and if the fuse cover is lost, the plug must not be used until a suitable replacement is obtained. The colour of the correct replacement cover is that of the coloured insert in the base of the plug, or the colour that is embossed in words in the base of the plug (as applicable to the design of the plug fitted).

Replacement fuses should be ASTA approved to BS 1362 and have the correct rating. Replacement fuses and fuse covers may be purchased from your local electrical supplier.

**WARNING**  
**THIS APPLIANCE MUST BE**  
**EARTHED**

This appliance must be built in, otherwise it could tip up.

## Location

This appliance should be installed in a dry, well-ventilated room. It should not be installed where it is exposed to direct sunlight or directly adjacent to a heat-producing appliance such as an oven or a radiator. The room temperature should not go above or below the climate range for which the appliance is designed. The higher the ambient temperature of the room, the more energy the appliance requires to operate.

### **Important: tropical / humid environments**

During periods of high humidity, some condensation may appear on outside surfaces of cooling appliances. This condensation will disappear when humidity levels drop. For prevention, it is advisable to install the appliance with sufficient ventilation in a dry and/or an air-conditioned room.

Please ensure that doors are closing and sealing properly.

Please ensure that the appliance is installed in accordance with these installation instructions and that the handle is fitted correctly. Should you require further assistance please contact your Miele customer service centre.

## Climate range

This appliance is designed for use within certain climate ranges (ambient temperatures), and should not be used outside this range. The climate range of the appliance is stated on the data plate inside the appliance.

Climate range	Ambient room temperature
SN	+10 °C to +32 °C
N	+16 °C to +32 °C
ST	+16 °C to +38 °C
T	+16 °C to +43 °C

Operating in a room which is too cold will result in the cooling system switching off for too long, causing the internal temperature in the appliance to rise with the risk of frozen food deteriorating and going off.

## Ventilation

Air at the back of the appliance gets warm. The appliance housing unit must be constructed to allow sufficient space for ventilation.

The air inlet to the appliance is via the plinth in the housing unit.

A ventilation gap of at least 38 mm depth must be allowed for behind the appliance for air to circulate.

The cross-sectional area for ventilation in the plinth and the housing unit and also beneath the ceiling needs to be at least 200 cm<sup>2</sup> throughout to ensure that warm air can be drawn through unhindered. Otherwise the appliance has to work harder, resulting in an increase in electricity consumption.

# Installation

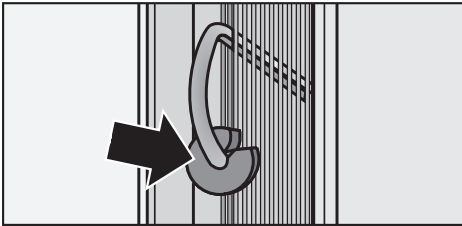
---

The ventilation gaps must not be covered or blocked in any way. They should be dusted on a regular basis.

- Check that all parts at the back of the appliance are unhindered. Carefully remove any hindrance.

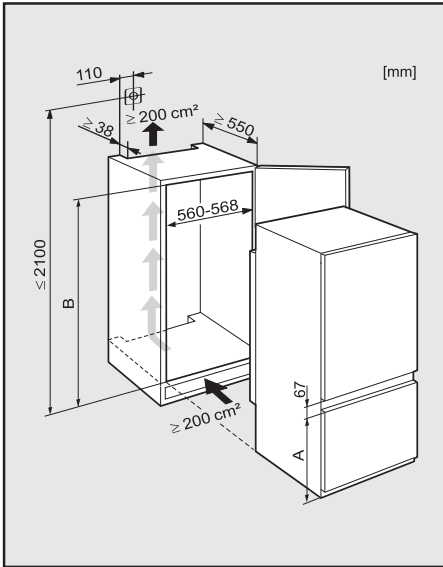
## Before installing the appliance

- Before installation remove the cover strip, sealing strip and other accessories from inside the appliance and from the external rear wall of the appliance.



- Do not remove the spacers from the back of the appliance. These ensure the gap required between the back of the appliance and the wall is maintained.
- Remove any cable clips from the back of the appliance.
- Remove the red transport fixing ①, and use the stopper supplied ② to plug the empty hole.

# Building-in dimensions



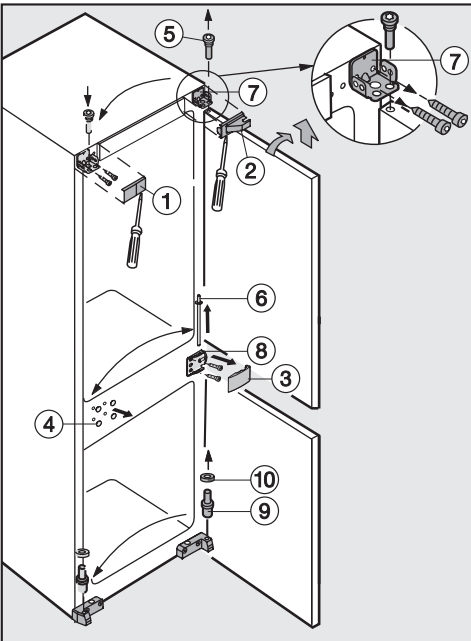
	Freezer section height <b>A</b>	Niche height <b>B</b>
<b>KDN 9713 iD</b> <b>KDN 9713 i-1</b>	669	1772 - 1788

# Changing the door hinging

Before building the appliance in, you will need to decide on which side the doors are to be hinged. If left hand door hinging is required, follow the instructions below.

To change the door hinging, you will need various sizes of **Torx screwdrivers** and a **slotted screwdriver**.

- Open both appliance doors.



- Pull off covers ①, ② and ③ and caps ④.
- Unscrew hinge pin ⑤ from the top appliance door.
- Tilt the top door, and lift it up and off.
- Then remove hinge pin ⑥ from the middle of the appliance.

Take care when doing so that the bottom door does not drop forwards.

- Then lift the bottom door upwards and off.
- Unscrew upper hinge plate ⑦, and replace it on the opposite side using the same screws.
- Unscrew the middle hinge plate ⑧, and replace it turned through 180° on the opposite side using the same screws.
- Remove lower hinge pin ⑨ together with washer ⑩, and replace these on the opposite side.
- Replace the bottom door on lower hinge pin ⑨. Remember to use washer ⑩.
- Refit middle hinge pin ⑥ in hinge plate ⑧, and then tighten the screws.
- Refit the top door on middle hinge pin ⑥.
- Insert upper hinge pin ⑤ into the **outer** hole in hinge plate ⑦, and tighten the screws.
- Replace covers ①, ② and ③ on the opposite side, turning them by 180°.
- Refit cover caps ④ on the opposite side.



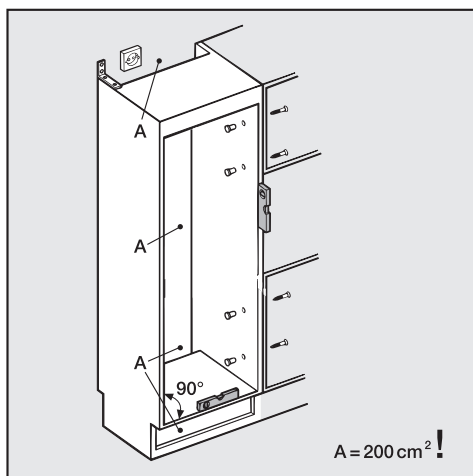
# Building in the appliance

All building-in instructions given are for a **right hand hinged** appliance. If you have converted the appliance to left hand hinging you will need to adapt these instructions accordingly.

## Building into a peninsular run

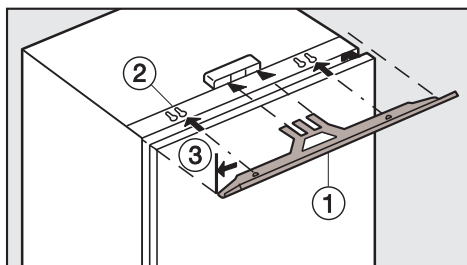
When built into a peninsular run, the rear of the building in niche must be fitted with a kitchen furniture panel.

## Aligning the housing unit



Before installing the appliance, the housing unit must be carefully aligned using a spirit level. The housing unit corners must be at right angles, as otherwise the appliance furniture door will not align correctly with the 4 corners of the unit. Align the furniture door with the hinges.

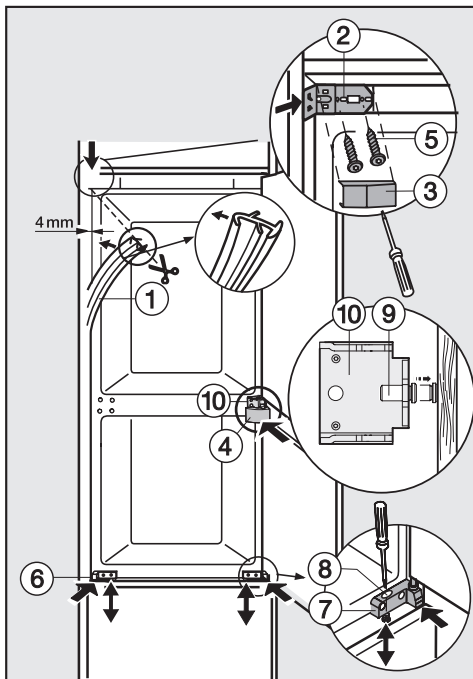
## Preparing the appliance



- Slide cover strip ① into the holder as shown, with the bumps facing downwards. The bumps will fit into keyhole slots ②. The cover strip is then flush with the side of the appliance on which the door is opened ③.

# Building in the appliance

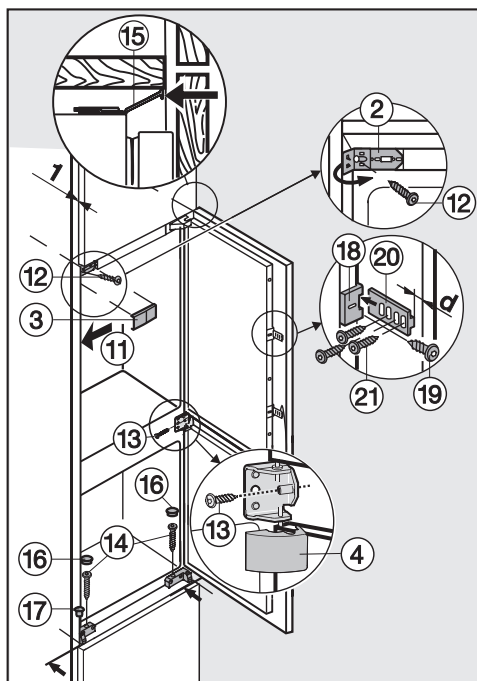
## Building in the appliance



- Push in the appliance until the front edges of bracket ② and hinge plates ⑥ and ⑦ are flush with the front edge of the housing.
- Align the appliance height from above on both sides using adjusting screw ⑧.
- Carefully unscrew adjusting screw ⑨ in the middle of hinge plate ⑩ until it touches the side wall of the furniture housing unit.

- Attach sealing strip ① to the door opening side so that it sits flush at the front with the side of the appliance. If necessary the sealing strip can be trimmed to size along the lower edge of bracket ②.
- Remove covers ③ and ④.
- Secure bracket ② with screws ⑤ (4.8 x 16 mm).
- Push the appliance into the building-in niche, leaving a gap of approx. 4 mm.  
Take care not to trap the mains cable.

### Securing the appliance and fitting the furniture door



- Push the appliance against the housing wall on the side on which the door opens so that the sealing strip is pressed into the housing wall (11).
- Secure the appliance at the top with screw (12) (4 x 19 mm) into bracket (2), pushing the appliance against the furniture wall as you do so.
- Then secure the appliance in the middle by fitting screw (13) through the adjusting screw.
- Then secure the appliance at the bottom by fitting screws (14) (4 x 36 mm) through the adjusting screws in the hinge plates.

- Tighten all the screws.
- If necessary, align cover strip (15) by pushing it parallel to the top of the unit - it should not protrude.
- Fold in the side section of bracket (2).
- Replace covers (3) and (4).
- Cap the holes with stoppers (16) and (17).
- Secure door fixings (18) to the appliance doors with screws (19) (3.9 x 9.5 mm), to suit the position of the handles.

With divided doors, several door fixings may be required.

- Open the doors right out, and push fixing guides (20) into door fixings (18).
- Position the furniture door onto the appliance door, and secure fixing guides (20) to the furniture door using screws (21) (4 x 14 mm). Maintain a distance  $d$  (= the thickness of the housing unit walls) between the edge of the appliance door and outer edge of the furniture door.
- Align the door fixing so that the furniture door on the side with the handle does not lie against the housing unit wall when the door is shut. A **minimum distance of 1 mm** must be maintained.

## United Kingdom

Miele Co. Ltd.  
Fairacres, Marcham Road  
Abingdon, Oxon, OX14 1TW  
Tel: 0845 365 0555  
Fax: 0845 365 0777  
Customer Contact Centre Tel: 0845 365 6600  
E-mail: [info@miele.co.uk](mailto:info@miele.co.uk)  
Internet: [www.miele.co.uk](http://www.miele.co.uk)

## Australia

Miele Australia Pty. Ltd.  
ABN 96 005 635 398  
1 Gilbert Park Drive, Knoxfield, VIC 3180  
Tel: (03) 9764 7130, Fax: (03) 9764 7149  
Internet: [www.miele.com.au](http://www.miele.com.au)

## China

Miele (Shanghai) Trading Ltd.  
1-3 Floor, No. 82 Shi Men Yi Road  
Jing' an District  
200040 Shanghai, PRC  
Tel: +86 21 6157 3500  
Fax: +86 21 6157 3511  
E-mail: [miele Shanghai@cn.miele.com](mailto:miele Shanghai@cn.miele.com)  
Internet: [www.miele.cn](http://www.miele.cn)

## Miele (Hong Kong) Limited

41/F - 4101, Manhattan Place  
23 Wang Tai Road  
Kowloon Bay  
Hong Kong  
Tel: (852) 2610 1331  
Fax: (852) 2610 1013  
Email: [mielehk@miele.com.hk](mailto:mielehk@miele.com.hk)

## India

Miele India Pvt. Ltd.  
Ground Floor, Copia Corporate Suites  
Plot No. 9, Jasola  
New Delhi - 110025  
Tel: 011-46 900 000, Fax: 011-46 900 001  
E-mail: [customercare@miele.in](mailto:customercare@miele.in)  
Internet: [www.miele.in](http://www.miele.in)

**Manufacturer:** Germany - Miele & Cie. KG  
Carl-Miele-Straße 29, 33332 Gütersloh



## Ireland

Miele Ireland Ltd.  
2024 Bianconi Avenue  
Citywest Business Campus, Dublin 24  
Tel: (01) 461 07 10, Fax: (01) 461 07 97  
E-Mail: [info@miele.ie](mailto:info@miele.ie), Internet: [www.miele.ie](http://www.miele.ie)

## New Zealand

Miele New Zealand Limited  
Unit L, 10-20 Sylvia Park Road  
Mt. Wellington, 1060, Auckland, NZ  
Tel: 0800 264 353, Fax: 0800 463 453  
Internet: [www.miele.co.nz](http://www.miele.co.nz)

## Singapore

Miele Southeast Asia  
Miele Pte. Ltd.  
163 Penang Road  
# 04 - 02/03 Winsland House II  
Singapore 238463  
Tel: +65 6735 1191, Fax: +65 6735 1161  
E-Mail: [infosea@miele.com.sg](mailto:infosea@miele.com.sg)  
Internet: [www.miele.sg](http://www.miele.sg)

## South Africa

Miele (Pty) Ltd  
63 Peter Place, Bryanston 2194  
P.O. Box 69434, Bryanston 2021  
Tel: +27 (0) 11 548-1900  
Fax: +27 (0) 11 548-1935  
E-mail: [info@miele.co.za](mailto:info@miele.co.za)  
Internet: [www.miele.co.za](http://www.miele.co.za)

## United Arab Emirates

Miele Appliances Ltd.  
P.O. Box 11 47 82  
Gold & Diamond Park  
Sheikh Zayed Road  
Building 6 / Offices Nos. 6-214 to 6-220  
Dubai  
Tel: +971-4-341 84 44  
Fax: +971-4-341 88 52  
E-Mail: [info@miele.ae](mailto:info@miele.ae)  
Internet: [www.miele.ae](http://www.miele.ae)

Alteration rights reserved / 4810

M.-Nr. 07 927 230 / 00

KDN 9713 iD, KDN 9713 i-1



## Free Manuals Download Website

<http://myh66.com>

<http://usermanuals.us>

<http://www.somanuals.com>

<http://www.4manuals.cc>

<http://www.manual-lib.com>

<http://www.404manual.com>

<http://www.luxmanual.com>

<http://aubethermostatmanual.com>

Golf course search by state

<http://golfingnear.com>

Email search by domain

<http://emailbydomain.com>

Auto manuals search

<http://auto.somanuals.com>

TV manuals search

<http://tv.somanuals.com>