

# Miele

## Operating and installation instructions



## Fridge freezer combination KF 7564 S ed-3

It is **essential** to read these operating instructions before installing or using the machine, to avoid the risk of accident or damage to the machine.



M.-Nr. 05 910 960

# Contents

---

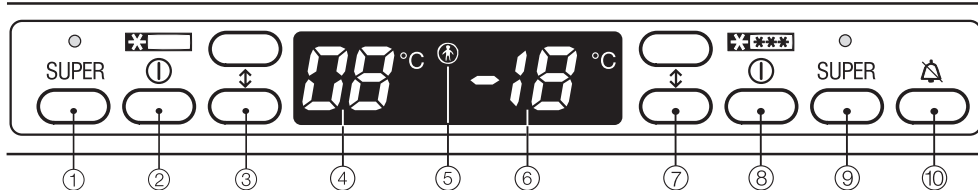
<b>Description of the appliance</b> . . . . .	4
<b>Caring for the environment</b> . . . . .	6
<b>Warning and Safety instructions</b> . . . . .	7
<b>Operation</b> . . . . .	11
Refrigerator section . . . . .	11
Freezer section . . . . .	11
Safety lock . . . . .	12
Switching off for longer periods of time . . . . .	12
<b>The correct temperature</b> . . . . .	13
. . . in the refrigerator . . . . .	13
. . . in the freezer . . . . .	13
Temperature selection . . . . .	13
Temperature range . . . . .	14
Temperature displays . . . . .	14
Temperature display brightness . . . . .	15
<b>Alarm</b> . . . . .	16
Switching the alarm tone off early . . . . .	16
<b>Super cool and Super freeze</b> . . . . .	17
Super cool . . . . .	17
Freezing fresh food . . . . .	17
<b>Using the refrigerator section efficiently</b> . . . . .	19
Different storage zones . . . . .	19
Coldest zone . . . . .	19
Warmest zone . . . . .	19
Food which should not be stored in a refrigerator . . . . .	19
Storing food correctly . . . . .	20
Fruit and vegetables . . . . .	20
Energy saving tips . . . . .	20
<b>Adjusting the interior fittings</b> . . . . .	21
Moving the shelves . . . . .	21
Split shelf . . . . .	21
Adjusting door shelves . . . . .	21
Moving the bottle divider . . . . .	21
<b>Freezing and storing food</b> . . . . .	22
Maximum freezing capacity . . . . .	22
Storing frozen food . . . . .	22
Home freezing . . . . .	22

# Contents

---

Hints on home freezing . . . . .	22
Packing . . . . .	23
Before placing food in the freezer . . . . .	23
Placing in the freezer . . . . .	23
Freezer calendar . . . . .	24
Marker system for frozen food . . . . .	24
Defrosting . . . . .	24
Ice cubes . . . . .	25
Cooling drinks . . . . .	25
Freezer tray . . . . .	25
Ice pack . . . . .	26
<b>Defrosting</b> . . . . .	27
Refrigerator section . . . . .	27
Freezer section . . . . .	27
<b>Cleaning and care</b> . . . . .	29
Cleaning the outer casing, the interior and accessories . . . . .	29
E-Cloth . . . . .	29
Ventilation gaps . . . . .	30
Door seals . . . . .	30
Metal grille at the back of the appliance . . . . .	30
<b>Problem solving guide</b> . . . . .	31
<b>After Sales Service</b> . . . . .	34
<b>Electrical connection</b> . . . . .	35
Electrical connection U.K. . . . .	35
<b>Installation</b> . . . . .	37
Location . . . . .	37
Climate range . . . . .	37
Ventilation . . . . .	37
Fitting the handles . . . . .	37
Installation . . . . .	38
Aligning the appliance . . . . .	38
<b>Changing the door hinging</b> . . . . .	39
<b>Building in the appliance</b> . . . . .	41

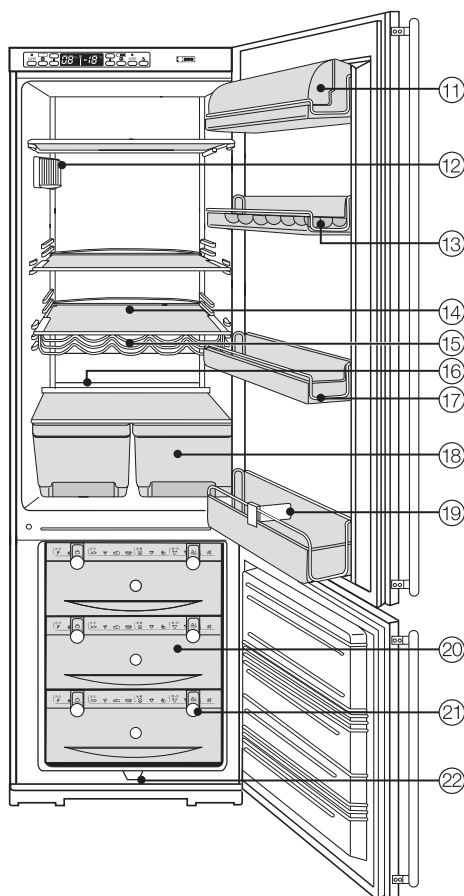
## Description of the appliance



- ① Super cool button and indicator light
- ② Refrigerator section On/Off button
- ③ Button for setting the temperature in the refrigerator section (upper button: warmer; (lower button: colder)
- ④ Refrigerator section temperature display
- ⑤ Safety lock indicator light
- ⑥ Freezer section temperature display
- ⑦ Button for setting the temperature in the freezer section (upper button: warmer; (lower button: colder)
- ⑧ Freezer section On/Off button
- ⑨ Super freeze button and indicator light
- ⑩ Alarm button

# Description of the appliance

- ① Butter and cheese compartment
- ② Interior lighting
- ③ Egg trays
- ④ Shelves
- ⑤ Bottle rack
- ⑥ Condensate channel and drain hole
- ⑦ Adjustable door shelves
- ⑧ Fruit and vegetable containers
- ⑨ Divider
- ⑩ Freezer drawers with freezer calendar
- ⑪ Marker system for frozen food
- ⑫ Outlet guide for defrosted water



# Caring for the environment

---

## Disposal of the packing material

The transport and protective packing has been selected from materials which are environmentally friendly for disposal and can normally be recycled.

Rather than just throwing these materials away, please ensure they are offered for recycling.

Ensure that any plastic wrappings, bags etc. are disposed of safely and kept out of the reach of babies and young children. Danger of suffocation!

## Disposal of your old appliance

Old appliances contain materials which can be reclaimed or recycled. Please contact your dealer, your waste collection centre or scrap merchant about potential recycling schemes.

Make sure that the pipework is not damaged whilst moving an old appliance. This is to ensure that the refrigerant and oil in the compressor cannot leak into the environment. It is important that they are disposed of in a safe manner by authorised persons only.

Ensure that the appliance presents no danger to children while being stored for disposal.

See the appropriate section in the Warning and safety instructions.

# Warning and Safety instructions

This appliance complies with all relevant legal safety requirements. Inappropriate use can however lead to personal injury and damage to property.

Read the operating instructions carefully before starting to use this appliance. They contain important notes on installation, safety, operation and care of the appliance. This way you will avoid the risk of accidents and damage to the appliance.

Keep these operating instructions in a safe place and pass them on to any future user.

## Correct use

■ This appliance is intended for domestic use only for the cool storage of food and drink as well as for storing deep frozen food, freezing fresh food and for preparing ice. Any other usage is not supported by the manufacturer and could be dangerous. The manufacturer cannot be held liable for damage caused by improper use of the appliance.

## Technical safety

■ This appliance contains the coolant Isobutane (R600a), a natural gas which is very environment friendly. Although it is flammable, it does not damage the ozone layer and does not increase the green house effect. The use of this environment friendly coolant has, however, led to a slight increase in the noise level of the appliance. In addition to the noise of the compressor, you might be able to hear the coolant flowing around the system. This is unavoidable, but does not have any adverse effect on the performance of the appliance.

Care must be taken during transportation and setting up of the appliance that no parts of the coolant system are damaged. Leaking coolant can damage the eyes.

In the event of any damage:

- avoid open fires  
and anything which creates a spark,
- disconnect from the mains,
- air the room in which the appliance is located for several minutes and
- contact the Service Department for advice.

■ The more refrigerant there is in an appliance, the larger the room it should be installed in. In the event of a leakage, if the appliance is in a small room, there is the danger of combustible gases building up.

For every 8 g of coolant at least 1 m<sup>3</sup> room space is required. The amount of coolant in the appliance is stated on the data plate inside the appliance.

# Warning and Safety instructions

---

Before connecting the appliance to the mains supply make sure that the rating on the data plate corresponds to the voltage and frequency of the household supply. This data must correspond in order to avoid risk of damage to the appliance. Consult a qualified electrician if in doubt.

The electrical safety of this appliance can only be guaranteed when continuity is complete between the appliance and an effective earthing system, which complies with local and national safety regulations. It is most important that this basic safety requirement is tested regularly and where there is any doubt the household wiring system should be inspected by a qualified electrician. The manufacturer cannot be held liable for the consequences of an inadequate earthing system (e.g. electric shock).

Safe operation of the appliance is only assured if it has been installed and connected in accordance with these operating and installation instructions.

This equipment is not designed for maritime use or for use in mobile installations such as caravans, aircraft etc. However it may be suitable for such usage subject to a risk assessment of the installation being carried out by a suitably qualified engineer.

Installation work, maintenance and repairs may only be carried out by suitably qualified and competent persons to ensure safety. Repairs and other work by unqualified persons could be dangerous and the manufacturer will not be held liable.

Ensure that current is not supplied to the appliance while maintenance or repair work is being carried out.

The appliance is only completely isolated from the electricity supply when:

- the plug has been withdrawn. Do not pull on the cable, only on the plug.
- the mains fuse is withdrawn, or
- the screw-out fuse is removed in countries where this is applicable.

Do not connect the appliance to the mains electricity supply by an extension lead.

Extension leads do not guarantee the required safety of the appliance (e.g. danger of overheating).

## Operation

Never handle frozen food with wet hands. Your hands may freeze to the frozen food. Danger of frost burn.

Do not take ice cubes out with your bare hands and never place ice cubes or ice lollies in your mouth straight from the freezer.

The very low temperature of the frozen ice or lollies can cause frost burn to the lips and tongue.



# Warning and Safety instructions

---

Do not refreeze thawed or partially thawed food. Defrosted food should be used up as quickly as possible as food soon loses its nutritional value and goes off. Defrosted food may only be re-frozen after it has been cooked.

Do not store explosive materials in the appliance or any products containing propellants (e.g. spray cans). Switching on thermostats may produce sparks which could present a fire hazard.

If storing alcohol with a high percentage proof, make sure it is tightly closed and stored upright. Danger of explosion.

Do not store cans or bottles containing carbonated drinks or liquids which could freeze in the freezer. The cans or bottles could explode. Danger of injury and damage to the appliance.

When cooling drinks quickly in the freezer make sure bottles are not left in for more than one hour, otherwise they could burst. Danger of injury and damage to the appliance.

Observe the "use by" dates given on food to avoid the risk of food poisoning. Storage times will depend on several factors including the freshness and quality of the food as well as the temperature at which it is stored. Follow the instructions given on food manufacturer's packaging on storage conditions required as well as the "use by" date.

Do not use sharp edged objects to

- remove frost and ice,
- separate frozen foods and remove ice trays.

They will damage the evaporator causing irreversible damage to the appliance.

Never place electric heaters or candles in the appliance to defrost it. These can damage the plastic parts.

Do not use defrosting sprays, or de-icers as they could contain substances which could damage the plastic parts and which may cause the build up of gases and pose a danger to health.

Do not use any oils or grease on the door seals as these will cause the seals to deteriorate and become porous with time.

Do not store cooking oil in the appliance door. Traces of oil can cause stress cracks to occur in the plastic components in the door.

Do not block the ventilation gaps in the appliance as this would impair the efficiency of the appliance, increase the electricity consumption and could cause damage to the appliance.

# Warning and Safety instructions

---

■ The appliance is designed for a use within certain climate ranges (ambient temperatures). It must not be used in ranges for which it is not designed. The climate range for your appliance is stated on the data plate inside the appliance.

Installing it in a room with too low an ambient temperature will lead to the appliance switching off for longer periods so that it cannot maintain the required temperature.

■ Never use a steam-cleaning appliance to defrost or clean this appliance. Pressurised steam could reach the electrical components and cause a short circuit.

■ In countries where there are areas which may be subject to infestation by cockroaches or other vermin, pay particular attention to keeping the appliance and its surrounding in a clean condition at all times. Any damage which may be caused by cockroaches or vermin will not be covered by the appliance guarantee.

## Disposal of your old appliance

■ Before disposing of an old appliance first make the door latch or lock unusable.

This way you will prevent children from accidentally locking themselves in and endangering their lives.

■ Before disposing of an old appliance, unplug it and render the plug useless. Cut off the cable directly behind the appliance and at the plug to prevent misuse.

■ Be careful not to damage any part of the pipework whilst awaiting disposal, e.g. by

- puncturing the refrigerant channels in the evaporator.
- bending any pipework.
- scratching the surface coating.

Splashes of refrigerant can damage the eyes.

The manufacturer cannot be held liable for damage caused by non-compliance with these Warning and Safety instructions.

## Before using for the first time

The stainless steel surface has a protective cover to prevent scratching during transportation.

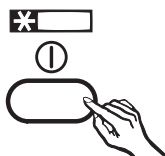
- Do not remove this cover until the appliance has been installed or built in. Start at one of the upper corners.
- Clean the inside of the appliance and the accessories with luke warm water and a little washing up liquid and then dry using a soft cloth.

Important: To ensure correct functioning of the appliance, let it stand for between ½ and 1 hour after transporting it to its final location before connecting it to the mains.

## Switching on

The refrigerator section and the freezer section are switched on independently of one another so that if required you can switch on only one section.

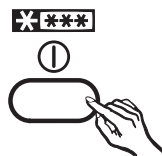
### Refrigerator section



- Press the "On/Off" button for the refrigerator section.

Bars appear in the temperature display for the refrigerator section. The refrigerator section starts cooling. The interior light will come on if the door is opened.

### Freezer section



- Press the "On/Off" button for the freezer section.

Bars appear in the temperature display for the freezer section and the alarm sounds. The freezer section starts cooling.

Allow the freezer to run for a few hours before placing food in it. This will ensure that the temperature in the freezer is sufficiently low.

## Switching off the alarm



- Press the alarm button.

The alarm stops. The bars will continue to flash in the temperature display until the temperature range set has been reached.

## Ice pack

Place the ice pack in the top drawer or to save space on the freezer tray. The ice pack will be at its most effective after it has been in the freezer for approx. 24 hours.

# Operation

---

## Switching off

- Press the "On/Off" button.

The temperature display goes out. The cooling process is switched off. (If this does not happen the safety lock is still engaged.)

## Safety lock

The safety lock can be engaged to prevent the appliance being switched off inadvertently.

### Engaging the safety lock

- Press and hold in the alarm button.
- Then press the Super freeze button **as well** and keep both buttons pressed in for approx. 3 seconds until the Safety lock indicator light (🔒) in the temperature display lights up and a beep is heard.

The appliance can now not be switched off until the safety lock is switched off.

### Switching off the safety lock

- Press and hold in the alarm button.
- Then press the Super freeze button **as well** and keep both buttons pressed in for approx. 3 seconds until the Safety lock indicator light (🔒) in the temperature display goes out.

The appliance can be switched off now.

## Switching off for longer periods of time

If the appliance is not going to be used for a longer period of time, e.g. whilst on holiday

- switch the appliance off at the mains,
- withdraw the plug (pull on the plug and not the cable),
- defrost the freezer section,
- clean the appliance out and
- leave the doors ajar to air the appliance.

If, during a long absence, the appliance is switched off but not cleaned out and the doors are left shut there is a danger of mould and odours building up inside the appliance.

# The correct temperature

It is very important to set the correct temperature for storing food in the appliance. Micro organisms will cause food which is not stored at the correct temperature to deteriorate rapidly. Temperature influences the growth rate of these micro organisms. Reducing the temperature reduces their growth rate.

The temperature in the appliance will rise:

- the more often the door is opened and the longer it is kept open,
  - if too much food is stored in it at once,
  - the warmer the food is which is being put into it,
  - the higher the ambient temperature surrounding the appliance.
- The appliance is designed for use in specific ambient temperatures (climate ranges). Do not use in ambient temperatures for which it is not designed.

## ... in the refrigerator

We recommend a temperature of 5 °C in middle of the refrigerator section.

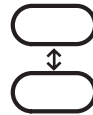
## ... in the freezer

For freezing fresh food and storing frozen food for a long time a temperature of at least **-18 °C** is needed. At this temperature the growth of micro organisms is generally halted. As soon as the temperature rises to above -10 °C, the micro organisms become active in the food again so that it cannot be kept as long. For this reason, partially defrosted or defrosted food must not be re-frozen. Food may be re-frozen once it has been cooked as the high temperatures achieved when cooking destroy most micro organisms.

## Temperature selection

The temperatures for the refrigerator section and for the freezer section are set independently from one another using the buttons to the right and left hand sides of the temperature displays.

Press the



Upper button: to raise the temperature (it gets warmer)

Lower button: to reduce the temperature (it gets colder)

The temperature being set will flash in the display.

# The correct temperature

---

When pressing the buttons the following are shown in the display:

- When first pressed: The **last temperature selected** flashes.
- Each subsequent press of the button: adjusts the temperature shown in 1 °C steps.
- Keeping the button pressed in: adjusts the temperature continually.

Approx. 5 seconds after letting go of the button the current **actual** temperature of the refrigerator or freezer is automatically shown.

If you have adjusted the temperature, **wait for approx. 6 hours if the appliance is not very full** and **for approx. 24 hours if the appliance is full** before checking the temperature display as it will take this long for the display to show the accurate temperature of the appliance. If, after this time, the temperature is too high or too low, you will need to adjust it again.

## Temperature range

The temperature can be adjusted:

- in the refrigerator section from 2 °C to 11 °C
- in the freezer section from -16 °C to -26 °C

The ambient temperature in the room and the installation location can affect the time it takes for the appliance to reach the lowest temperature. If the ambient temperature is too high, the appliance may not reach the lowest temperature.

## Temperature displays

During normal operation the temperature display shows the temperature in the middle of the refrigerator section and the temperature in the warmest part of the freezer section.

If the temperature in the appliance is not within the range that the appliance is able to display (i.e. if it is not between 0 °C and 19 °C in the refrigerator section, and if the temperature in the freezer section is above 0 °C), only a bar will light up in the temperature displays.

It will take between 3 and 8 hours approximately for the appliance to reach the required temperature. The time it takes will depend on where the appliance is located and the temperature setting selected.

## The correct temperature

---

The **temperature displays flash**, if

- a different temperature is being set,
- the temperature in the appliance has risen by several degrees, indicating that the appliance is warming up too much.

This loss of coldness is no cause for concern in the following circumstances:

- when the door has been left open for a while, e.g. for removing or storing a large amount of food,
- when fresh food is being frozen.

However, if the temperature remains above  $-18\text{ }^{\circ}\text{C}$  for a long time, check that the frozen food has not started to defrost. Do not refreeze thawed or defrosted food! If it has started thawing, check that the food is safe to use and if it is, use it as soon as possible.

**Temperature display brightness**

The appliance is supplied with the brightness of the temperature display set as low as possible. However, if the door is opened, a setting changed or if the alarm is sounding, the temperature display will appear much brighter for approx. 1 minute.

The level of brightness can be adjusted to be:

- **Brighter:** by pressing the alarm button, and whilst holding it in, press the upper button next to the temperature display for the freezer section.
- **Dimmer:** by pressing the alarm button, and whilst holding it in, press the lower button next to the temperature display for the freezer section.

# Alarm

---

Your appliance has been fitted with a warning system which ensures that the temperature in the freezer section cannot rise unnoticed. It is always active. If the temperature in the freezer gets too warm an alarm will sound and the temperature display for the freezer section will flash. The temperature the appliance is set at determines the temperature the appliance recognises as being too warm.

The alarm will sound and the temperature display will flash:

- when the freezer is switched on.
- when the freezer section door has been left open for a while, e.g. in order to load, to re-arrange or to take food out.
- when freezing large amounts of food.
- when there has been a lengthy interruption to the power supply.

## Switching the alarm tone off early

Once the set temperature has been reached in the freezer section, the alarm tone stops and the temperature is displayed constantly. However, if the noise disturbs you, you can turn the alarm tone off before this if you wish.



- Press the alarm button. The alarm stops. The temperature display continues to flash until the set temperature has been reached. It then lights up constantly. It does not go out until the set temperature range has been reached.

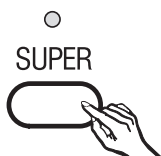


## Super cool

The super cool function can be used to rapidly reduce the temperature in the refrigerator section to its lowest setting (depending on the room temperature).

### Switching on super cool

Super cool is particularly recommended for faster chilling of large amounts of fresh food or drink.



- Press the super cool button, the super cool indicator light will come on.

The appliance works at full power to lower the temperature in the refrigerator section.

### Switching off super cool

The super cool function switches itself off automatically after approx. 6 hours. The indicator light goes out and the appliance continues running at normal power.

To save energy the super cool function can be switched off once food and drinks are sufficiently chilled.

- Press the super cool button. The super cool indicator light will go out.

The appliance continues running at normal power.

## Freezing fresh food

Fresh food should be frozen as quickly as possible. This way the nutritional value of the food, its vitamin content, appearance and taste are not impaired.

Food which takes a long time to freeze will lose more water from its cells which then shrink.

During the defrosting process only some of this water is reabsorbed by the cells. The rest collects around the food. In practice this means that the food loses a large degree of its moisture.

If food is frozen quickly the cells have less time to lose moisture so they shrink less. As there is not so much moisture, it is easier for the food to reabsorb it during the defrosting process. There will be very little water around the defrosted food.

### Super freeze is not necessary:

- when putting in frozen food.
- when freezing up to 2 kg fresh food daily.

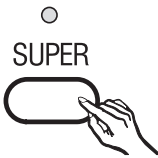
# Super cool and Super freeze

---

## Switching on super freeze

Switch the super freeze function on before putting fresh food into the freezer.

When freezing small quantities of food in the freezer, the super freeze function should be switched on **4 - 6 hours beforehand**. When freezing **the maximum load of food** the super freeze function should be switched on **24 hours beforehand**.



- Press the super freeze button. The super freeze indicator light will come on.

The freezer section works at full power to lower the temperature in the freezer section.

## Switching super freeze off

Depending on the amount of food placed in the freezer the super freeze function will switch off automatically after approx. 30 to 60 hours. The super freeze indicator light will go out and the appliance will continue running at normal power.

# Using the refrigerator section efficiently

## Different storage zones

Natural air circulation gives rise to different temperature zones inside the refrigerator section. Cold, heavy air sinks to the lowest section of the appliance. Make use of the different zones when placing food in the appliance.

### Coldest zone

The coldest zone in the refrigerator section is directly above the vegetable containers.

Use this for all delicate and highly perishable food, e.g.

- fish, meat, poultry,
- sausage products, ready meals,
- dishes or baked goods containing eggs or cream
- fresh dough, cake mixtures, pizza or quiche dough,
- soft cheese and other dairy products,
- pre-packed vegetables and other fresh food with a label stating it should be kept at a minimum temperature of 4 °C.

### Warmest zone

The warmest zone is in the top section of the refrigerator door. Use this for storing butter and cheese.

Do not store explosive materials in the appliance or any products containing combustible gas (e.g. spray cans). Danger of explosion.

If storing alcohol with a high percentage proof, make sure it is tightly closed, and store upright.

Do not store cooking oil in the refrigerator door.

Traces of oil can cause stress cracks to occur in the plastic components in the door.

Food must not touch the back wall of the appliance. Otherwise it may freeze to the back wall.

## Food which should not be stored in a refrigerator

Not all food is suitable for refrigeration. These include:

- Fruit and vegetables which are sensitive to cold, such as bananas, avocado pears, papaya, passion fruit, aubergines, peppers, tomatoes and cucumbers
- Fruit which is not yet ripe
- Potatoes
- Some hard cheeses

# Using the refrigerator section efficiently

---

## Storing food correctly

Store food covered or packaged. This will prevent food smells or tastes from affecting other foods and prevent food from drying out. The growth of bacteria, such as salmonella, can be avoided by setting the correct temperature and maintaining good standards of hygiene.

## Fruit and vegetables

Fruit and vegetables can be stored loose in the vegetable containers. However, you should bear in mind that some types of vegetables give off a natural gas which speeds up the rate at which food perishes. Some fruit and vegetables react strongly to this gas and should not be stored together in the vegetable containers.

### **Examples of fruit which produce a large amount of this natural gas are:**

Apples, apricots, pears, nectarines, peaches, plums, avocado pears and figs.

### **Examples of fruit and vegetables which react strongly to the natural gases given off by other types of fruit and vegetables are:**

Kiwis, broccoli, cauliflower, brussels sprouts, mangos, honeydew melons, apples, apricots, cucumbers, tomatoes, pears, nectarines and peaches.

## Energy saving tips

- Frequently opening the door or keeping it open for too long will cause the temperature in the appliance to rise. The appliance will have to run more often in order to maintain the cool temperature inside the appliance. Only open the door when you need to and then only for as long as necessary.
- If you organise where you store your food correctly you should be able to find things quickly and easily without allowing the temperature in the appliance to rise. Sort the food out carefully before putting it into the appliance.
- Hot food and drinks must be cooled to room temperature before placing them in the appliance.
- Do not store groceries too close to each other. Space should be left between individual items for air to circulate.

## Moving the shelves

The shelves can be adjusted according to the height of the food.

- Pull the shelves forward as far as they will go then lift them upwards to remove them.
- With the rear barrier facing upwards place the shelf at the required position.  
The rear barrier must face upwards to prevent food from touching the back of the appliance and freezing to it.

## Split shelf

(depending on model)

In order to accommodate tall items in the appliance one of the shelves is divided. The front section can be taken out to allow space for tall items standing on the shelf below.

## Adjusting door shelves

- Push the door shelf upwards then remove it by pulling it forwards.
- Replace the door shelf at the required position. Ensure that it is securely pushed back into position.

## Moving the bottle divider

(depending on model)

The bottle divider can be moved to the left or right to ensure that bottles are held securely in position when the door is opened and shut.

# Freezing and storing food

---

## Maximum freezing capacity

To ensure that fresh food placed in the freezer freezes through to the core as quickly as possible, the maximum freezing capacity must not be exceeded. The maximum freezing capacity for freezing within a 24 hour period is given on the data plate "Freezing capacity ....kg/24 hrs".

## Storing frozen food

When buying frozen food to store in your freezer check

- that the packaging is not damaged,
- the use by date,
- the temperature at which the frozen food is being stored in the shop.

The length of time it can be kept is reduced if it has been stored at a temperature warmer than -18 °C.

- Buy frozen food once you have finished the rest of your shopping and wrap it in newspaper or use a cool bag or box to transport it.
- Store it in the freezer as soon as possible.

Never re-freeze partially or fully defrosted food. Consume defrosted food as soon as possible as it will lose its nutritional value and spoil if left for too long. Defrosted food may only be re-frozen after it has been cooked.

## Home freezing

Only freeze fresh food which is in a good condition.

### Hints on home freezing

- The following types of food **are suitable for freezing** :  
Fresh meat, poultry, game, fish, vegetables, herbs, fresh fruit, dairy products, pastry, leftovers, egg yolks, egg whites and a range of pre-cooked meals.
- The following types of food **are not suitable for freezing** :  
grapes, lettuces, radishes, sour cream, mayonnaise, eggs in their shells, onions, whole raw apples and pears.
- To retain colour, taste and vitamin C, vegetables should be blanched after they have been trimmed and washed. To blanch: bring a large saucepan of water to the boil, immerse the vegetables in the fast boiling water for 2-3 minutes, depending on variety. Remove and cool quickly in cold water. Drain and pack ready for freezing.
- Lean meat freezes better than fatty meat and can be stored for considerably longer.
- To prevent chops, steaks, cutlets or rolled meat from freezing together in solid blocks when packed, separate with a sheet of plastic freezer film.

# Freezing and storing food

- Do not season fresh foods or blanched vegetables before freezing. Only season cooked food lightly before freezing but care should be taken as the taste of some spices alters when frozen.
- Do not place hot foods or drinks in the freezer. This causes already frozen food to thaw and increases the energy consumption considerably. Allow hot foods and drinks to cool down before placing them in the freezer.

## Packing

- Freeze food in portions.

### Suitable packing material

- plastic freezer film
- freezer bags
- freezer containers
- aluminium foil

Freezer bags may also be sealed using home heat sealing kits.

- Expel as much air as possible from bags etc. before sealing them to prevent freezer burn on food.
- Close the packaging tightly with
  - rubber bands
  - plastic clips
  - string or bag ties
  - cold resistant adhesive tape.
- Make a note of the contents and the date of freezing on the packaging.

### unsuitable packing material

- wrapping paper
- grease-proof paper
- cellophane

- dustbin liners
- plastic carrier bags

## Before placing food in the freezer

- When freezing more than 2 kg of fresh food, switch on the Super freeze function for a while before placing the food in the freezer (see "Super freeze").

## Placing in the freezer

Fresh food can be placed in any drawer for freezing, however it is preferable to use the upper drawers. Large quantities can be placed directly on the evaporator plates to freeze the food quickly. To do this first take out one or several freezer drawers.

Do not place frozen food, even if it is in a flat package, in the space between the roof of the freezer and the top evaporator plate. This space is important for an unhindered air circulation and troublefree operation of the appliance.

Each drawer and evaporator plate can be loaded with a maximum of 25 kg.

- Place the food flat in the bottom of the drawers or on the evaporator plates in the freezer so that it freezes through to the core as quickly as possible.
- Make sure that the packaging and containers are dry to prevent them sticking together when frozen.

# Freezing and storing food

When freezing, make sure that food already frozen does not come into contact with fresh food being frozen as this could cause the frozen food to begin to defrost.

## Freezer calendar

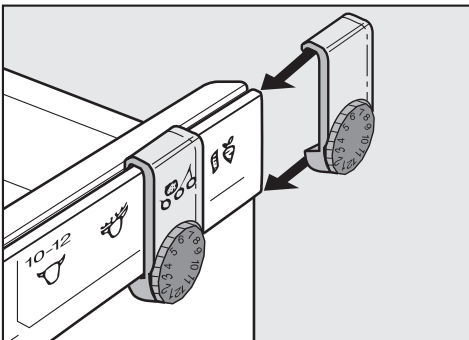
The freezer calendar on the freezer drawer gives the length of time which various foods can be stored effectively.

Where the storage time given on the packaging differs, follow the advice on the packaging.

## Marker system for frozen food

Markers serve as a reminder of how long food has been stored.

Each freezer drawer has two slide markers with dials. The months are represented on the dials as 1 – 12.



- Slide the markers onto the guide runners on the edge of the drawers.

Use the markers to indicate the type of food being frozen and turn the dials to the appropriate number to indicate the

month the food was first placed in the freezer.

## Defrosting

Frozen food can be defrosted in different ways:

- in the microwave oven,
- in the oven using the "Fan" or "Defrost" setting,
- at room temperature,
- in the fridge.

**Fruit** should be defrosted at room temperature in its packing or in a covered bowl.

**Most vegetables** can be cooked while still frozen. Just put straight into boiling water or hot fat. The cooking time is slightly less than that of fresh vegetables.

**Poultry** It is particularly important to observe food hygiene rules when defrosting poultry. Do not use the liquid from defrosted poultry. Pour it away and wash the container it was in, the sink and your hands.

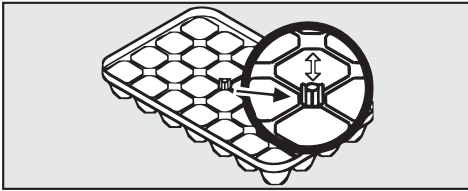
### Warning

Never re-freeze partially or fully defrosted food. Consume defrosted food as soon as possible as it will lose its nutritional value and spoil if left for too long. Defrosted food may only be re-frozen after it has been cooked.



# Freezing and storing food

## Ice cubes



- Press down the release button on the ice cube tray and fill the tray with water. Any excess will flow out through the outlet.
- Now pull the release button up to seal the ice cube tray. Place the tray on the bottom of one of the freezer drawers.
- Once frozen use a blunt instrument, for example a spoon handle, to remove the ice tray from the freezer.
- Ice cubes can be removed easily from the tray by holding it under cold running water for a short while.

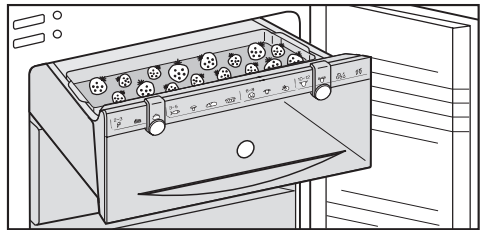
## Cooling drinks

Drinks are best cooled quickly in the refrigerator section using the Super cool function. If bottles are, however, placed in the freezer for rapid cooling, make sure bottles are not left in the freezer for more than one hour, as they could burst.

## Freezer tray

(depending on model)

The freezer tray can be used for freezing soft fruit, herbs, small items etc. The tray allows you to space out the food so that it does not stick together and keeps its shape.



- Place the food on the tray.
- Hang the tray in one of the upper freezer drawers.

Leave food for 10 - 12 hours to freeze thoroughly on the tray. Transfer it to a freezer bag or suitable container once frozen. Place the bag or container in the freezer drawer.

# Freezing and storing food

---

## Ice pack

(Depending on model)

The ice pack prevents the temperature in the freezer rising too quickly in the event of a power cut.

Place the ice pack in the upper drawer directly on top of food or to save space on the freezer tray. The ice pack will be at its most effective after it has been in the freezer for approx. 24 hours.

If there is a power cut lay the ice pack directly on top of the frozen food in the upper drawer so that the food will be kept cold for the longest time possible.

When placing fresh food in the freezer, use the ice pack to separate the fresh food from the food which is already frozen so that the frozen food does not begin to thaw.

The ice pack can also be used in a cool bag to keep food or drinks cool for a short period of time.

## Refrigerator section

Condensate and frost can build up on the back wall of the refrigerator section whilst it is in use. These are automatically removed and defrosted by the appliance.

The condensate is drained away via a channel and drain hole into an evaporation system at the back of the appliance.

Ensure that the condensate channel and drain hole are kept clean and are never blocked so that condensate can flow away without hindrance.

## Freezer section

The freezer section does not defrost automatically because frozen food must not be allowed to defrost.

In normal use ice and frost will form on the evaporator plates. If allowed to accumulate, this will impair the efficiency of the freezer and increase the consumption of electricity.

Do not scrape ice and frost off the evaporator plates as this can damage the evaporator plates and make the freezer unusable.

The freezer section should be defrosted from time to time. It must be defrosted if a layer of ice approx. 5 mm thick has accumulated. It is best to defrost when only very little food or no food at all is left in the freezer.

## Before defrosting

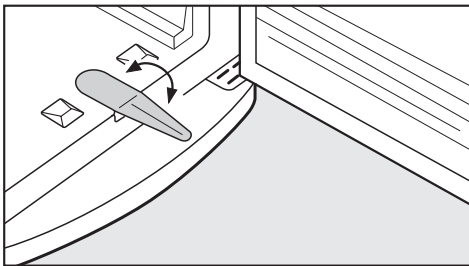
- Switch on the super freeze function at least 4 hours before defrosting to ensure frozen food retains its cold reserve for longer when taken out of the freezer.
- Remove the frozen food from the freezer and place it in another freezer or cool box or wrap it in several layers of newspaper or cloths and store in a cool place until the freezer is ready for use again.
- Take all freezer drawers out of the freezer section.

## To defrost

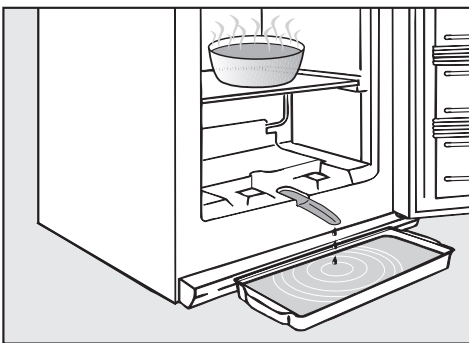
Carry out the defrosting procedure as quickly as possible if food has not been placed in another freezer. The longer the food is left out at room temperature, the faster it defrosts.

- Switch the appliance on with the On / Off button.
- The temperature display goes out. If it does not go out then the safety lock is probably engaged.
- Open the freezer section door.

# Defrosting



- Open out the outlet guide for defrosted water.



- Place a container in front of the appliance to collect the defrosted water. Make sure that the container does not overflow.

To speed up defrosting, a bowl with hot water (not boiling) can be placed in the appliance.

We do not recommend the use of hot air blowers such as hairdryers for defrosting your appliance.

Never place electric heaters or candles in the appliance to defrost it. These can damage the plastic parts.

Do not use defrosting sprays, or de-icers as they could contain substances which could damage the plastic parts and which may cause a build up of gases and pose a danger to health.

## After defrosting

- Empty the container.
- Use a sponge or a towel to mop up any water from defrosting still in the appliance.
- Clean the freezer section and then dry it thoroughly.
- Fold the outlet guide back into position.
- Close the door and then switch the freezer section on. The temperature display for the freezer section lights up.
- Switch on the super freeze function so that the freezer can cool down quickly. The super freeze indicator light will come on.
- Once the temperature in the freezer has reached the required temperature place the food back in the freezer drawers and place them back in the freezer.
- Switch off super freeze by pressing the super freeze button. The indicator light will go out.

Never use cleaning agents containing abrasive substances such as sand, soda, acids or chemical solvents.

"Non-abrasive" cleaning agents are also unsuitable as they can cause matt areas to appear.

For stainless steel surfaces, use a proprietary stainless steel cleaning agent.

Make sure that no water can penetrate into the electronic unit, into the light or into the ventilation gaps.

Do not let water get into the drainage channel and drain hole when cleaning.

Never use steam cleaning apparatus to defrost or clean the appliance. The steam could attack the electrical components and cause a short circuit.

The data plate located inside the appliance must not be removed. It contains information which is required in the event of a service call.

## Before cleaning

- Switch the appliance off by pressing both On-Off switches.
- Take any food out of the appliance and store it in a cool place.
- Defrost the freezer section.

- Take out any removable parts e.g. shelves for cleaning.

## Cleaning the outer casing, the interior and accessories

Use lukewarm water with a little washing up liquid. Accessories and shelves should be hand washed only. The butter dish is, however, dishwasher safe.

- Clean the refrigerator section at least once a month and the freezer section each time it is defrosted.
- Clean the condensate channel and drain hole frequently, so that condensate can drain away unhindered. Use a straw or similar to clear the drain if necessary.
- Clean stainless steel surfaces with a suitable cleaning agent.
- After cleaning, wipe the outer casing, the interior and accessories with a damp cloth and dry with a soft cloth. Leave the doors open to air the appliance for a short while.

## E-Cloth

- A microfibre "E-Cloth" is available from the Miele UK Spare Parts Department, Part Number 980 13530, which is suitable for cleaning surfaces such as stainless steel, glass, plastic and chrome without the use of chemicals.

# Cleaning and care

---

If you are unsure about a particular product or need further advice please contact your nearest Miele Sales office. See back page for address.

## Ventilation gaps

- The ventilation gaps should be cleaned on a regular basis with a brush or vacuum cleaner. A build up of dust will increase the appliance's energy consumption.

## Door seals

Do not use any oils or grease on the door seals as these will cause the seals to deteriorate and become porous with time.

The door seals should be cleaned regularly with clean water and then wiped dry with a soft cloth.

## Metal grille at the back of the appliance

The metal grille at the back of the appliance (heat exchanger) should be dusted at least once a year. A build up of dust will increase the energy consumption of the appliance.

When cleaning the grille, make sure that the pipework and other components do not get broken or damaged in any way.

## After cleaning

- Replace all shelves and accessories in the refrigerator section.
- Place food back in the refrigerator section, close the appliance doors, and switch the appliance on.
- Switch on the super freeze function so that the freezer section can cool down quickly. The super freeze indicator light will come on.
- Once the temperature in the freezer has reached the required temperature place the food back in the freezer drawers and place them back in the freezer section.
- Switch off the super freeze function with the super freeze button. The indicator light will go out.

Repairs to electrical appliances should only be carried out by a suitably qualified and competent person in accordance with local and national safety regulations. Unauthorised repairs could be dangerous.

The following can be corrected without contacting the Miele Service Department.

## What to do if . . .

### **. . . strange noises can be heard after switching on the appliance, especially after it has just been installed.**

- Check to see whether any pieces of furniture next to the appliance are vibrating whilst the appliance is in operation.  
Switch the appliance off then:
- Check whether the appliance is aligned correctly.
- Check whether all parts at the rear of the appliance are free from hindrance. Remove any hindrance.
- Check whether the cable clips have been unclipped from the back of the appliance. They could vibrate when the appliance is operating.
- Are all removable parts securely located in the appliance?
- Are bottles or containers touching each other?

Remember that the noise of the compressor and the coolant circulating in the system is unavoidable.

### **. . . the refrigerator or freezer section does not get cool.**

- Check whether the respective section has been switched on. The temperature display for that section should be illuminated.
- Check that the plug is correctly inserted in the socket.
- Check that the fuse is not defective and that the mains fuse has not blown. If it has contact the Miele Service Department.

### **. . . the door to the freezer section will not open because it has been opened and closed too many times in succession.**

This is not a fault. The suction caused by opening and closing the door is preventing the door from opening. Wait a few minutes and then try again. It should now open without force.

### **. . . the temperature in the refrigerator or freezer section is too low.**

- Set the temperature to a warmer setting.
- The super freeze or super cool function has not been switched off. The respective indicator light is still on.

### **. . . the appliance is switching in too frequently and for too long.**

- Check whether ventilation gaps have been covered over or become too dusty.
- Check whether the metal grille (heat exchanger) at the rear of the appliance has become too dusty.

# Problem solving guide

---

- The doors have been opened too frequently, or a large quantity of fresh food has been put in at once for freezing.
- Check that the doors have been properly closed.
- Check whether a thick layer of ice has built up in the freezer section. If it has then the freezer section will need defrosting.

## **... food has frozen together.**

Use a blunt instrument, e.g. a spoon handle or plastic scraper to carefully prise it apart.

## **... there is a thick layer of ice in the freezer section.**

- Check whether the door to the freezer section closes properly.
- Defrost and then clean the freezer section.

Too thick a layer of ice reduces efficiency and increases energy consumption.

## **... the alarm sounds and the temperature display for the freezer section flashes.**

The freezer section temperature has risen above the temperature set, because

- the freezer door has been opened too frequently or large amounts of fresh food have been put in at once for freezing.
- the ventilation gaps are blocked.

- There has been a lengthy interruption to the power supply.

Once the problem has been resolved the alarm will go out and the temperature display for the freezer section will light up constantly.

## **... a bar lights up or flashes in the temperature displays.**

Check the temperature displays approx. 6 hours after switching the appliance on. The temperature will not show in the display until it reaches a certain temperature.

## **... "F0" to "F5" appears in the temperature display**

There is a technical fault. Call the Miele Service Department.

## **... "nA" appears in the temperature display.**

The temperature in the freezer section rose as a result of a power cut at some point during the last couple of days.

- Press the alarm button whilst "nA" is lit up.

The temperature display will show the warmest temperature reached in the freezer section during the power cut.

Depending on the temperature displayed you should check the condition of food in the freezer.

If it has defrosted or started to defrost check that it is still safe to use and if so use it as quickly as possible. Defrosted food may only be re-frozen after it has been cooked.



## Problem solving guide

This warmest temperature will be displayed for approx. 1 minute after which the display will show the actual temperature currently in the freezer section.

### ... the super freeze or super cool indicator light does not light up although the appliance is working.

The indicator light is defective. Call the Miele Service Department.

### ... the appliance will not switch off.

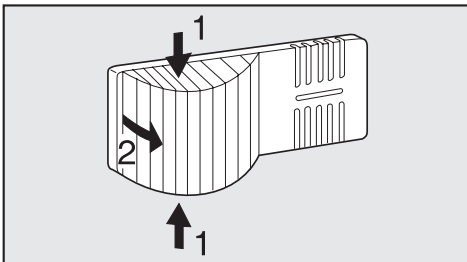
The safety lock is engaged.

### ... the interior light in the refrigerator section does not work.

- Has the door been left open for too long? The light automatically goes out if the door has been left open for approx. 15 minutes.

If this is not the case then the bulb may be defective and need replacing:

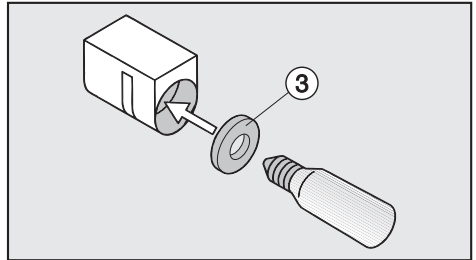
- Disconnect the appliance from the mains. Switch off at the wall and withdraw the plug from the socket (pull by the plug not the cable), or disconnect the mains fuse or remove the screw-out fuse in countries where this is applicable.



- Press the sides of the lamp cover inwards, disengage the cover and unclip it at the rear.
- Unscrew the bulb and replace it with a new one.

Bulb specification:

220 – 240 V, max. 25 W, E 14 fitting



- When fitting in the new bulb make sure that it is correctly fitted.
- Clip the lamp cover back in at the rear and then press it into position from the sides.

### ... the floor of the refrigerator section is wet.

The drain hole has become blocked.

- Clean the condensate channel and drain hole.

If you still cannot remedy the fault having followed these suggestions, then contact the Miele Service Department.

To prevent unnecessary loss of temperature it is advisable not to open the doors whilst waiting for the appliance to be serviced.

## After Sales Service

---

In the event of a fault which you cannot correct yourself, or if the appliance is under guarantee please contact:

- Your Miele Dealer
- or
- The Miele Service Department  
(see back cover for address).

When contacting the Service Department, please quote the model and serial number of your appliance, both of which are shown on the data plate.

Please note that telephone calls may be monitored and recorded to improve our service.

## Electrical connection U.K.

The appliance is supplied with a mains cable and moulded plug ready for connection to an a.c. single phase 220 – 240 V 50 Hz supply.

The fuse rating is 13 amps.

All electrical work should be carried out by a suitably qualified and competent person in accordance with local and national safety regulations. Connection should be made via a fused plug and suitable switched socket which is easily accessible. For extra safety it is advisable to install a residual current device (RCD) with a trip current of 30 mA (in accordance with DIN VDE 0664, VDE 0100, Section 739).

Do not connect the appliance to the mains electricity supply by an extension lead. Extension leads do not guarantee the required safety of the appliance (e.g. danger of overheating).

The appliance must not be connected to an inverter and must not be used with a plug adapter as these can cause damage to the appliance's electronic unit.

## Important

The wires in the mains lead are coloured in accordance with the following code:

Green/yellow	= earth
Blue	= neutral
Brown	= live

As the colours of the wires in the mains lead of this appliance may not correspond with the coloured markings identifying the terminals in your plug, proceed as follows:

The wire which is coloured green and yellow must be connected to the terminal in the plug which is marked with the letter E or by the earth symbol ( $\perp$ ) or coloured green or green and yellow.

The wire which is coloured blue must be connected to the terminal which is marked with the letter N or coloured black.

The wire which is coloured brown must be connected to the terminal which is marked with the letter L or coloured red.

**WARNING**  
**THIS APPLIANCE MUST BE**  
**EARTHED**

# Electrical connection

---

## Non-rewireable plugs (BS 1363)

If this machine is fitted with a non-rewireable plug, the following information applies:

If the socket outlets are not suitable for the plug supplied with this product, it must be cut off and an appropriate plug fitted.

The fuse carrier and the fuse should be removed from the old plug and disposed of. The old plug should then be disposed of and on no account be inserted into any socket elsewhere in the house (electric shock hazard).

The fuse cover must be re-fitted when changing the fuse, and if the fuse cover is lost, the plug must not be used until a suitable replacement is obtained. The colour of the correct replacement cover is that of the coloured insert in the base of the plug, or the colour that is embossed in words in the base of the plug (as applicable to the design of the plug fitted).

The correct fuse rating of the replacement fuses that are ASTA approved to BS 1362 should be fitted. Replacement fuse covers may be purchased from your local electrical supplier, or Miele Service agent.

Appliances without side wall heating must not be installed "side-by-side" next to another refrigerator or freezer.

## Location

It should not be installed where it is exposed to direct sunlight or directly adjacent to a heat-producing appliance such as an oven or a radiator. The appliance should be installed in a dry well ventilated room.

The room temperature should not go above or below the climate range for which the appliance is designed. The higher the ambient temperature of the room the more energy the appliance requires to operate.

Do not place any appliance which gives off heat, such as a toaster or microwave oven on top of this appliance, as this would increase the appliance's energy consumption.

## Climate range

The appliance is designed for a use within certain climate ranges (ambient temperatures) and should not be used outside this range. The climate range of this appliance is stated on the data plate inside the appliance.

Climate range	Ambient room temperature
SN	+10 °C to +32 °C
N	+16 °C to +32 °C
ST	+18 °C to +38 °C
T	+18 °C to +43 °C

Operating in a room which is too cold will cause the cooling system to switch

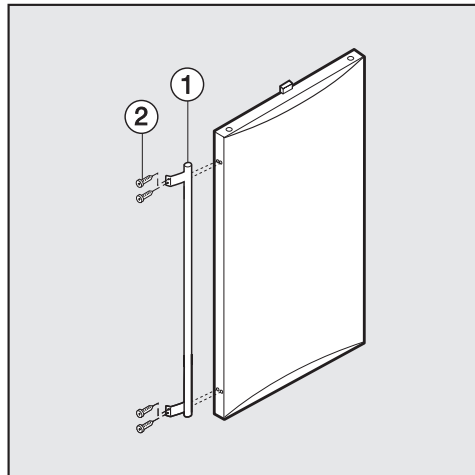
off for too long causing the internal temperature in the appliance to rise with the risk of food deteriorating and going off.

## Ventilation

Air at the rear of the appliance gets warm. To ensure sufficient ventilation the ventilation gaps must not be covered over. The air inlet and outlet must not be covered or blocked in any way. They should be dusted on a regular basis.

## Fitting the handles

If the door hinging does not require changing the handles should now be fitted to the appliance doors.



- Secure handle ① to the holes in the door using the screws marked ②.

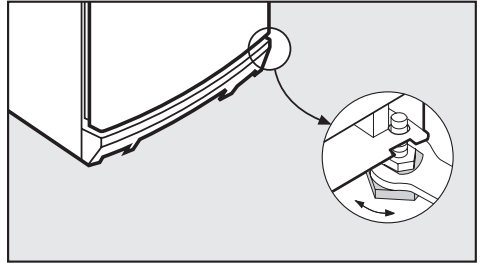
# Installation

---

## Installation

- Remove any cable clips from the rear of the appliance.
- Check that all parts at the rear of the appliance are unhindered. Remove any hindrance.
- Carefully push the appliance into position. The rear of the appliance can be placed directly against a wall.

## Aligning the appliance

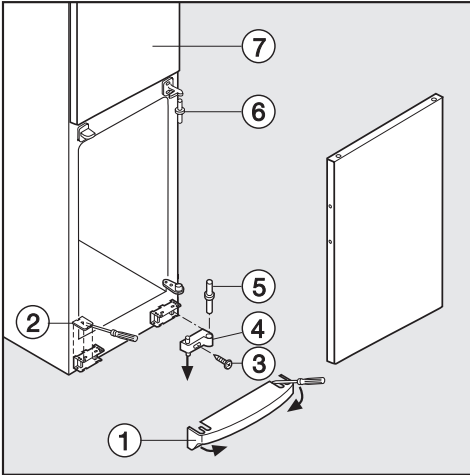


- To align the appliance adjust the feet using the spanner supplied.

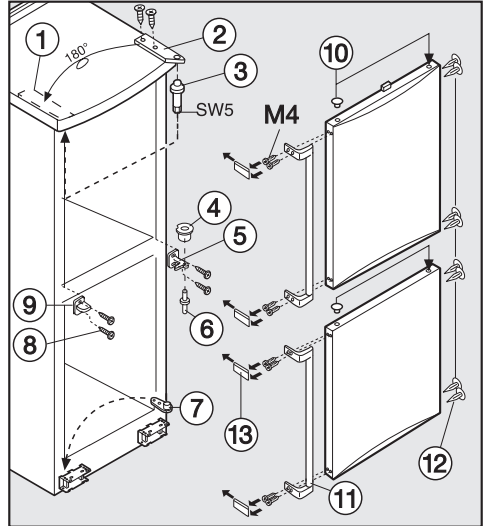
## Changing the door hinging

The appliance is supplied right hand hinged. If left hand door hinging is required follow the instructions below.

- Open the lower appliance door.



- Use a screwdriver to lever the plinth fascia ① out, then pull it forwards and off.
- Use a screwdriver to remove cover ②, then close the door.
- Remove screw ③ completely.
- Pull door support ④ together with hinge pin ⑤ downwards, then tilt it forwards and take it off.
- Open the lower appliance door, move it downwards and take it off.
- With the upper door ⑦ closed, pull hinge pin ⑥ downwards to remove it.
- Open the upper door, and pull it downwards and off.



Re-fit all parts on the opposite side

- Remove the cover plate ①.
- Unscrew bearing block ② and place it on the other side (see illustration).
- Unscrew upper hinge pin ③ using the spanner supplied and refit on the opposite side.
- Place cover plate ① on the other side.
- Exchange cover ⑨ in the middle of the appliance with hinge bracket ⑤. To do this:  
Undo screws ⑧, pull cover ⑨ and hinge bracket ⑤ off to the side, turn around and refit into position on the opposite side.

# Changing the door hinging

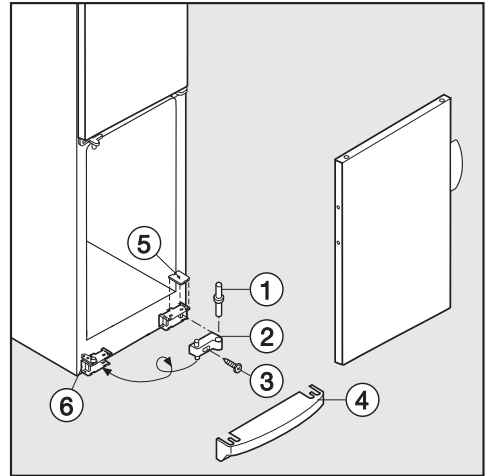
- Pull bearing bush ④ downwards out of hinge bracket ⑤ and refit it from above into the hinge bracket.
- Use a screwdriver to remove spacer ⑦ and refit it on the opposite side.

## Changing over the door handle:

- Remove covers ⑬ at the front and slide off to the side.
- Unscrew handle ⑪. Refit handle and stoppers ⑫ on the opposite side.
- Slide covers ⑬ into position making sure they engage correctly.

## Refitting the doors:

- Remove plugs ⑩ from door bearing bushes in the doors and refit on the opposite side.
- Hang the upper appliance door on hinge pin ③, and close the appliance door.
- Push middle hinge pin ⑥ from below through hinge bracket ⑤ into the upper appliance door.
- Check that the door is correctly aligned. If necessary align it using the long slots in hinge bracket ⑤.
- Hang the lower door in hinge bracket ⑤ then close the appliance door.

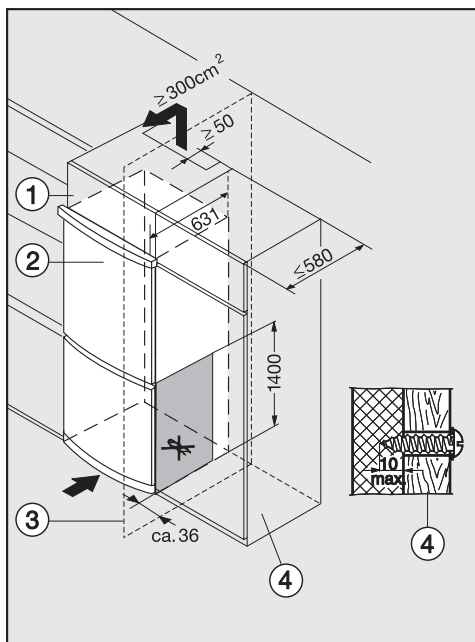


- Turn door support ② around, pull hinge pin ① out, and refit on the opposite side.
- Fit both parts into hinge plate ⑥. To do this push hinge pin ① through hinge plate ⑥ into door support ②. Swing door support out, push upwards and re-assemble with screw ③.
- Align the lower door with the appliance housing using the long slot in hinge plate ⑥. Then tighten screw ③.
- Refit plinth fascia ④ pushing it firmly into position.
- With the lower door open, secure cover ⑤ to the front of the plinth fascia.

In the following illustration the lower door is not shown in the closed position to make it easier to see what happens next.



## Building in the appliance



The air inlet and outlet must not be covered or blocked in any way. They should be dusted on a regular basis.

When built into a kitchen run (max. depth 580 mm) the appliance can be installed directly next to a kitchen furniture housing unit. The appliance door **2** will protrude in front of furniture fronts at the sides by 34 mm and by 51 mm in the middle of the door. This enables the doors to be opened and shut without being obstructed.

When **installed next to a wall** **3** a distance of approx. 36 mm is needed on the hinge side between the wall and the appliance, so that the doors and the handles have sufficient space for opening.

When **securing to adjoining furniture** **4** or if a **spacer** is fitted between the appliance and the wall, please note the following:

- Ensure that the doors have sufficient space for opening fully after the appliance has been secured.
- **Do not drill within the area marked with criss cross pattern** as this would damage insulated parts of the appliance.
- To secure the appliance to adjoining kitchen furniture use self-tapping screws. The **depth** of the screw must not exceed **10 mm**. See small illustration.

The appliance can be installed in a kitchen run. To match the height of the rest of the kitchen, the appliance can be fitted with a suitable top box **1**.

A ventilation gap of at least 50 mm depth must be allowed for behind the appliance for air to circulate. The cross section of the air outlet under the room ceiling must be at least 300 cm<sup>2</sup> to ensure that air can circulate without hindrance. Otherwise the appliance has to work too hard resulting in an increase in electricity consumption. The larger the cross section, the more efficient the appliance.





**United Kingdom:**

Miele Co. Ltd.  
Fairacres, Marcham Road  
Abingdon, Oxon, OX14 1TW  
tel. Abingdon (01235) 554455  
Service Office: (01235) 554466  
fax (01235) 554477  
Internet: [www.miele.co.uk](http://www.miele.co.uk)

**Ireland:**

Miele Ireland Ltd.  
Broomhill Road, Tallaght, Dublin 24  
Tel: (01) 46 10 710, Fax: (01) 46 10 797  
Email: [info@miele.ie](mailto:info@miele.ie)  
Internet: <http://www.miele.ie>

**Australia:**

Miele Australia Pty. Ltd.  
A.C.N. 005635398  
1 Gilbert Park Drive  
Knoxfield, VIC 3180  
Telephone: (03) 9764 7100  
Fax: (03) 9764 7129  
Internet: [www.miele.com.au](http://www.miele.com.au)

**Distributor New Zealand:**

Steelfort Engineering Company. Ltd.  
500 Rangitikei Street  
Palmerston North, Priv. Bag 11045, NZ  
Telephone: (06) 350 1350  
Fax: (06) 356 1507

**South Africa:**

Miele (Pty) Ltd  
304 Tungsten Road  
Strijdom Park 2194  
P.O.Box 1654, Randburg 2125  
Tel. (011) 793-7452  
Telefax (011) 793-7447  
E-mail: [info@miele.co.za](mailto:info@miele.co.za)  
Internet: [www.miele.co.za](http://www.miele.co.za)

**Singapore:**

Miele Southeast Asia  
Miele Pte. Ltd.  
163 Penang Road  
# 04 - 02/03 Winsland House II  
Singapore 238463  
Tel : +65-67351191  
Fax: +65-67351161  
Email: [mielesea@miele.com.sg](mailto:mielesea@miele.com.sg)

**Hong Kong:**

Miele (Hong Kong) Limited  
AIA Plaza, Room 401, 4<sup>th</sup> Floor  
18 Hysan Avenue  
Causeway Bay  
Hong Kong  
Tel.: (852) 2610 1331  
Fax: (852) 2610 1013  
E-mail: [mielehk@netnavigator.com](mailto:mielehk@netnavigator.com)

## Free Manuals Download Website

<http://myh66.com>

<http://usermanuals.us>

<http://www.somanuals.com>

<http://www.4manuals.cc>

<http://www.manual-lib.com>

<http://www.404manual.com>

<http://www.luxmanual.com>

<http://aubethermostatmanual.com>

Golf course search by state

<http://golfingnear.com>

Email search by domain

<http://emailbydomain.com>

Auto manuals search

<http://auto.somanuals.com>

TV manuals search

<http://tv.somanuals.com>