

Miele

Operating and installation instructions



Frost-free fridge / freezer
KFN 8995 SD ed-1
KFN 8996 SDE ed-1

To avoid the risk of accidents or damage to the appliance, it is **essential** to read these operating instructions before it is installed or used for the first time.

en - CA

M.-Nr. 06 921 010

Contents

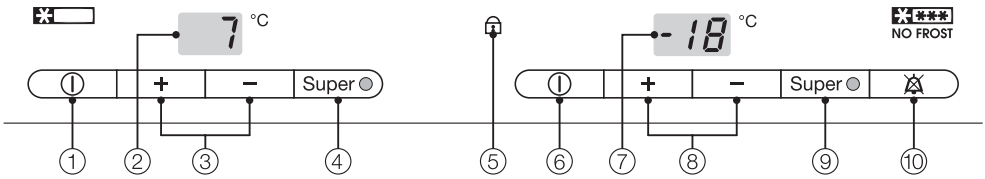
Guide to the appliance	5
Caring for the environment	7
Warning and Safety Instructions	8
How to save energy	13
Switching the appliance ON and OFF	14
Refrigerator section	14
Freezer section	14
Safety lock	15
Switching off for extended periods of time	15
Door display	16
Adjusting the contrast	16
Displays	18
Selecting the correct temperature	19
. . . in the refrigerator section	19
Dynamic cooling	19
. . . in the freezer section	19
Temperature selection	19
Temperature range	20
Temperature displays	20
Temperature display brightness	21
Alarm	22
Temperature alarm	22
Door alarm	22
Activating the alarm system	22
Switching the alarm off early	22
SuperCool and SuperFreeze	23
SuperCool	23
Freezing fresh food	23
SuperFreeze	24
Using the refrigerator efficiently	25
Different storage zones	25
Food that should not be stored in a refrigerator	25
Storing food correctly	26
Unpacked meats and vegetables	26
Protein-rich foods	26
Meat	26

Adjusting the interior fittings	27
Freezing and storing food	28
Maximum freezing capacity	28
Storing frozen food	28
Freezing fresh food	28
Tips for freezing fresh food	28
Packing	29
Before placing food in the freezer section	29
Placing food in the freezer section	29
Freezing large items	30
Freezer calendar	30
Marker system for frozen food	30
Defrosting	30
Cooling drinks	31
Freezer tray	31
Cool pack	31
Making ice cubes (may vary by model)	32
Automatic defrosting	34
Cleaning and care	35
Cleaning the housing, interior and accessories	35
Cleaning the ice cube tray (may vary by model)	36
Ventilation slits	37
Door seals	37
Metal grille at the back of the appliance	37
Problem-solving guide	38
Noises	42
After-sales service	43
Plumbing (may vary by model)	44
Connecting to the water supply	44
Electrical information	46
Installation information	47
Location	47
Climate range	47
Proper ventilation	47
Installation	47

Contents

Adjustments	48
Changing the door hinging	49
Installing the appliance	56

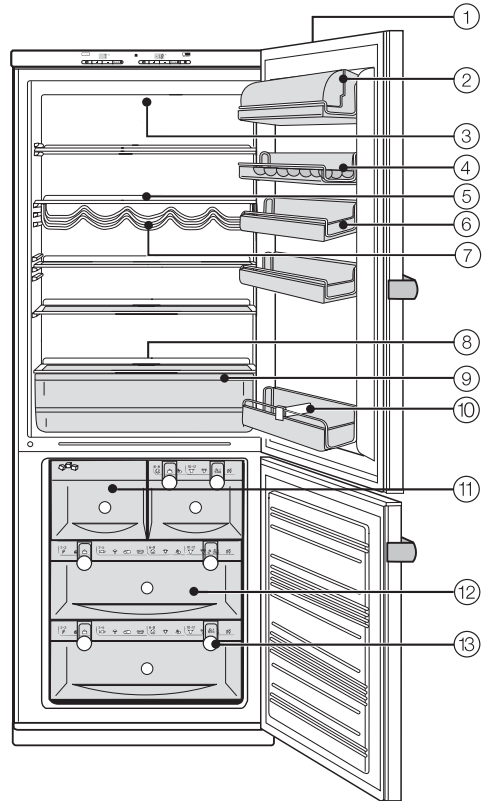
Guide to the appliance



- ① Refrigerator section On/Off button
- ② Refrigerator section temperature display
- ③ Refrigerator section temperature selector buttons (+ for warmer; - for colder)
- ④ SuperCool button and indicator light
- ⑤ Safety lock indicator light
- ⑥ Freezer section On/Off button
- ⑦ Freezer section temperature display
- ⑧ Freezer section temperature selector buttons (+ for warmer; - for colder)
- ⑨ SuperFreeze button and indicator light
- ⑩ Alarm Off button

Guide to the appliance

- ① Door display
- ② Butter and cheese compartment
- ③ Dynamic cooling fan
(Dynamic cooling is automatic)
- ④ Egg tray
- ⑤ Shelves with LED lighting
- ⑥ Door shelves with LED lighting
- ⑦ Bottle rack
- ⑧ Condensate channel and
drain hole
- ⑨ Fruit and vegetable containers
- ⑩ Bottle divider*
- ⑪ Ice cube drawer with
automatic ice cube maker*
- ⑫ Freezer drawers with
freezer calendar
- ⑬ Marker system for frozen food



* (may vary by model)

Disposal of the packing material

The transport and protective packing has been selected from materials that are environmentally friendly for disposal, and can normally be recycled.

Ensure that any plastic wrappings, bags, etc., are disposed of safely and kept out of the reach of babies and young children. Danger of suffocation!

Rather than simply throwing these materials away, please ensure that they are recycled.

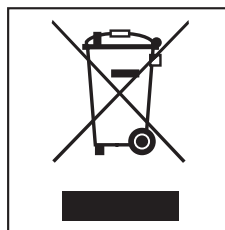
Disposal of your old appliance

Electrical and electronic appliances often contain materials that, if handled or disposed of incorrectly, could be potentially hazardous to human health and to the environment. However, these materials are essential for the correct functioning of your appliance.

Therefore, please do not dispose of your old appliance with your regular household waste.

Instead, contact your local community waste collection / recycling centre to arrange for disposal, and ensure that there is no danger to children while the appliance is awaiting disposal.

The appliance should be unplugged or disconnected from the power supply by a competent person.



Take care not to damage the pipework at the back of the appliance before or during transportation to an authorised collection depot.

This will keep the refrigerant in the pipework and the oil in the compressor, so that they do not leak out into the environment.

Warning and Safety Instructions

This appliance complies with all applicable safety legislation. However, improper use of the appliance can present a risk of both personal injury and material damage.

To avoid the risk of accidents and damage to the appliance, read the operating instructions carefully before installation and before using for the first time. They contain important notes on the installation, safety, operation and care of the appliance.

Keep these instructions in a safe place and pass them on to any future user.

Correct use

- ▶ This appliance is intended for domestic use only, specifically for the cool storage of foodstuffs, for storing deep-frozen food, for freezing fresh food and for preparing ice. Any other use is not condoned by the manufacturer and could be dangerous. The manufacturer will not be held liable for damage caused by incorrect or improper use of the appliance.
- ▶ This appliance is not a toy! To avoid the risk of injury, do not allow children to play on or near it, or to play with the controls. Supervise use of the appliance by the elderly or infirm.

Technical safety

- ▶ This appliance contains the coolant R134a, which is an environmentally acceptable, non-flammable hydrofluorocarbon (HFC). It does not damage the ozone layer. For more information on the coolant, refer to the information plate posted on the inside of the refrigerator section. When transporting and installing the appliance, care must be taken not to damage any part of the cooling system. If damage does occur:
 - unplug the appliance from the socket,
 - air the room where the appliance is, for several minutes,
 - contact the Miele Service Department for advice.
- ▶ Before plugging in the appliance, you must make sure that the electrical rating (voltage and frequency, indicated on the model plate) corresponds to the household electrical supply. These ratings must match, in order to avoid damaging the appliance. If in doubt, please contact a qualified electrician.
- ▶ Before connecting the appliance, ensure that the connection data on the data plate matches the household electricity supply. This data **MUST** correspond, in order to avoid the risk of damage to the appliance. If in any doubt, consult a qualified electrician.

Warning and Safety Instructions

► The electrical safety of this appliance can only be guaranteed if it is properly grounded in compliance with all applicable local and national safety regulations. It is absolutely essential that this basic safety requirement be respected; in case of any doubt, the household wiring system should be inspected by a qualified electrician. The manufacturer will not be held liable for the consequences of an inadequate grounding system (e.g., electric shock).

► Safe operation of the appliance is only assured if it has been installed and connected in accordance with these operating and installation instructions.

► This equipment may only be used in mobile installations such as ships, motor homes, aircraft, etc., if a risk assessment of the installation has been carried out by a suitably qualified engineer.

► Installation work, maintenance and repairs may only be carried out by suitably qualified and competent persons in accordance with national and local safety regulations. Repairs and other work by unqualified persons could be dangerous and the manufacturer will not be held liable. Ensure that no power is supplied to the appliance until after maintenance or repair work has been completed.

Model-specific characteristics

► The manufacturer will not be held liable for damage caused by a faulty connection to the main water supply.

► Connection to the main water supply and any repairs to the ice cube maker must only be carried out by a suitably qualified and competent person.

► The ice cube maker is not suitable for connection to a hot water supply.

► Before making any plumbing connections, ensure that the appliance is disconnected from the main electricity supply.

► The appliance is only completely disconnected from the power supply when:

- it has been switched off and unplugged from the wall socket,
- the main fuse is withdrawn, or the screw-out fuse is removed (in countries where this is applicable).

► Do NOT use an extension cord to connect the appliance to the power supply. Extension leads do not guarantee the required safety of the appliance (e.g., danger of overheating).

Warning and Safety Instructions

Use

▶ Never handle frozen food with wet hands. Your hands may freeze to the frozen food. Danger of frost burn.

▶ Do not take ice cubes out with your bare hands and never place ice cubes or ice pops in your mouth straight from the freezer.

The very low temperature of the frozen ice or pops can cause frost burn to the lips and tongue.

▶ Do not allow children to play with the appliance, for example to climb inside the drawers or to swing on the door.

▶ Do not refreeze thawed or partially thawed food. Defrosted food should be used up as quickly as possible, as food soon loses its nutritional value and spoils. Do not refreeze defrosted food until after it has been cooked.

▶ Do not store explosive materials in this appliance, nor any products containing propellants (e.g., spray cans). Thermostats switching on may produce sparks, which could pose a fire hazard. Flammable compounds could explode.

▶ Do not use any electrical equipment in this appliance, e.g., ice cream makers. Danger of sparking and explosion!

▶ If storing high-proof alcohol, make sure it is tightly closed and stored upright.
Danger of explosion.

▶ Do not store cans or bottles containing carbonated drinks or liquids that could freeze in the freezer. The cans or bottles could explode. Danger of injury and damage to the appliance.

▶ When cooling drinks quickly in the freezer, make sure bottles are not left in for more than one hour; otherwise they could burst, resulting in injury or damage.

▶ To avoid the risk of food poisoning, observe the "best before" dates indicated on food packaging. Storage times will depend on several factors, including the freshness and quality of the food as well as the temperature at which it is stored. Follow the food manufacturer's instructions for storage conditions and the "best before" date.

▶ Do not use sharp-edged objects to

- remove frost and ice,
- separate frozen foods or remove ice trays. They will damage the evaporator, causing irreversible damage to the appliance.

▶ Never place electric heaters or candles in the appliance to defrost it. These can damage the plastic parts.

Warning and Safety Instructions

- ▶ Do not use defrosting sprays or de-icers, as they might contain substances which could damage the plastic parts or which could cause a build-up of gases and pose a danger to health.
- ▶ Do not use any oils or grease on the door seal, as these will cause the seal to deteriorate and become porous over time.
- ▶ Do not store cooking oil in the refrigerator door. Traces of oil can cause stress cracks in the plastic components in the door.
- ▶ Do not attempt to remove the lighting covers inside the refrigerator door. If damaged, they must be replaced by a Miele-approved service technician.
- ▶ Never look directly into the glass-edge lighting in the refrigerator without the glass shelves in place; never use optical instruments to look at the lighting either! **Caution!** there are lasers in the lighting (laser beam class 1M).
- ▶ Never install damaged glass-edge lighting in the appliance.
Danger of electric shock.
- ▶ Do not use force to open the glass-edge lighting. This will damage the internal electronics. If the glass-edge lighting gets damaged, it must be replaced. New glass-edge lighting can be purchased from the Miele Service Department.
- ▶ Do not block the ventilation slits in the appliance, as this would impair the efficiency of the appliance, increase the electricity consumption, and could cause damage to the appliance.
- ▶ The appliance is designed for use within certain climate ranges (ambient temperatures), and should not be used outside this range. The climate range for your appliance is stated on the data plate inside the appliance. Installing it in a room with too low an ambient temperature, e.g., in a garage, can cause the appliance to switch off for longer periods, keeping it from maintaining the required temperature.
- ▶ Do NOT use steam-cleaning equipment to clean this appliance. Pressurised steam could reach the electrical components and cause a short circuit.
- ▶ In areas subject to infestation by cockroaches or other vermin, pay particular attention to keeping the appliance and its surroundings in a clean condition at all times. Any damage caused by cockroaches or other vermin will not be covered by the warranty.

Warning and Safety Instructions

Disposal of your old appliance

▶ Before disposing of an old appliance, first make the door latch or lock unusable.

This will prevent children from accidentally locking themselves in and endangering their lives.

▶ Disconnect it from the power, cut off the cable near the appliance and render any plug unusable.

▶ Be careful not to damage any part of the pipework while awaiting disposal, e.g., by

- puncturing the refrigerant channels in the evaporator.
- bending any pipework.
- scratching the surface coating.

Splashes of refrigerant can damage the eyes.

The manufacturer will not be held liable for damage caused by failure to comply with these "Warning and Safety Instructions".

How to save energy

	Normal energy consumption	Increased energy consumption
Installation site	In a well ventilated room.	In an enclosed, poorly ventilated room.
	Protected from direct sunlight.	In direct sunlight.
	Away from heat sources (radiator, stove/oven).	Near heat sources (radiator, stove/oven).
	When the room temperature is ideal (approx. 20 °C (68 F)).	When the room temperature is high.
Temperature setting (dial)	At a medium setting of 2 to 3.	At a high setting: The lower the temperature in the appliance, the more energy it consumes.
Temperature setting (digital)	Cellar compartment 8 to 12 °C (46 to 54 F)	On appliances with a winter setting, make sure that the winter setting is switched off when the room temperature is warmer than 16 °C.
	Refrigerator section 4 to 5 °C (39 to 41 F)	
	Freezer section -18 °C (-2 F)	
Use	Open the door only when necessary, and for as short a time as possible.	Frequent opening of the door for long periods will cause a loss of coldness.
	Store food in an organized way.	Disorganized contents will take time to sort through, leaving the door open too long.
	Allow hot food and drinks to cool down before placing them in the appliance.	Placing hot food in the appliance will cause the compressor to run for a long time, with the appliance working harder to lower the temperature.
	Store food covered or packaged.	The evaporation or condensation of liquids will cause a loss of coldness in the refrigerator.
	Place frozen food in the refrigerator to defrost.	
	Do not overfill the appliance. Leave some room so that air can circulate properly.	
Defrosting	Defrost the freezer when a layer of ice 1 cm thick has built up.	A layer of thick ice hinders cold air from reaching the frozen food, and causes an increase in energy consumption.

Switching the appliance ON and OFF

Before using for the first time

The stainless steel surfaces and trim are covered in a protective sheeting for transport.

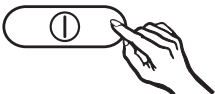
- Do not remove the sheeting until the appliance has been installed in its final location. To peel the sheeting off, start at one of the upper corners.
- Next, coat the stainless steel surfaces with a special stainless steel product (which is available through customer service).
- Clean the inside of the appliance and the accessories with warm water and some mild soap. Dry with a soft cloth.

It is very important to let the appliance stand for 30 to 60 minutes after transport before you plug it in for the first time. Failure to do so can prevent the appliance from functioning properly!

Switching the appliance ON

The refrigerator and freezer sections can be switched on separately, so that you can choose which sections you want on at a given time.

Refrigerator section

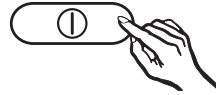


- Press the ON/OFF button for the refrigerator section.

You will see the temperature display for the refrigerator section come on. The refrigerator will now start cooling, and

the interior light will come on when you open the door.

Freezer section



- Press the ON/OFF button for the freezer section.

You will see flashing bars in the temperature display for the freezer section, which will now start cooling.

Allow the appliance to run for a few hours before placing food in it. This will ensure that the temperature is sufficiently low.

Cool pack

Place the cool pack in the top drawer of the freezer section or, to save space, on the freezer tray (may vary by model). The cool pack will be at its most effective after it has been in the freezer for approximately 24 hours.

Switching the appliance OFF

- Press each ON/OFF button, so that the temperature display goes out.

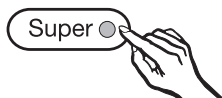
The cooling process is now switched off. If this does not happen, then the safety lock is engaged.

Switching the appliance ON and OFF

Safety lock

The safety lock can be activated to prevent the appliance from being switched off inadvertently.

Activating and deactivating the safety lock



- Hold down the superfreeze button for approx. 5 seconds.


The indicator light for the superfreeze button flashes and the temperature display shows **C**.

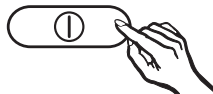
- Now press the superfreeze button again.

The display will show **C**.



- Now, by pressing the set temperature buttons, you can choose between **C** and **l**:
C: Safety lock is deactivated,
l: Safety lock is activated.
- To save the setting, press the super freeze button.

When the safety lock is activated, the safety lock indicator light will read .



- To exit from set mode, press the ON/OFF button for the freezer section. Otherwise it will automatically revert to normal mode in approx. 2 minutes.

Switching off for extended periods of time

If the appliance is not needed for a longer period of time (such as when you are away on holiday), then:

- switch the appliance off,
- unplug it from the socket,
- close the shut-off valve (may vary by model),
- clean the appliance out, and
- leave the doors ajar, to air the appliance.

If, in preparation for longer absences, you fail to clean the appliance and leave the doors ajar, there is the risk of mould and odours building up in the appliance.

Door display

The display on the outside of the appliance door

- shows the current temperatures of the refrigerator and freezer sections,
- shows if the SuperCool or SuperFreeze functions are switched on, and
- tells you if there is a problem with the appliance.



The **top half** of the display shows the **temperature of the refrigerator section**, while the **lower half** shows **the temperature of the freezer section**.

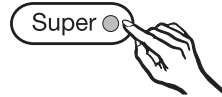
When you first switch the appliance on, and both doors are shut, a **Welcome** screen will appear after a short time. This will then change to show the temperature displays.

At first, bars will flash alternately with the warning triangle and the thermometer symbol in the lower half of the display, to show that the temperature range which can be displayed and also the set temperature have not yet been reached.

Adjusting the contrast

If you want to change the contrast of the display:

- Open the refrigerator door.



- Press and hold the SuperFreeze button for approx. 5 seconds.

The SuperFreeze indicator light will flash and a **C** will flash in the temperature display.

- Press the "+" temperature setting button twice until a **C** flashes in the display.
- Press the SuperFreeze button again.
- Close the refrigerator door within 10 seconds.

The contrast adjustment mode will now begin. Vertical bars will appear in the display. The number of bars will increase or decrease as the contrast setting is adjusted.

There are 5 different contrast settings. Each setting will appear in the display for approx. 4 seconds.

- Open the refrigerator door once you find your preferred setting.

This will save that particular contrast setting. The setting remains stored in memory even after a power cut.

If the refrigerator door is not opened, the process will be cancelled after approx. 10 minutes, and the original contrast setting will be restored.

To exit the setting mode:








- On the control panel inside the appliance, press the On/Off button for the freezer section.

If you do not do this, the electronics will automatically switch over to normal operation after a few minutes.

Door display

Displays

The door display can show the following symbols:

Symbol	Meaning
+ °C	Temperature display over 0° C.
- °C	Temperature display under 0° C.
--	The temperatures in the appliance have not yet reached the temperature ranges that can be displayed.
	The appliance is locked.
	The set temperature has not yet been reached. The inside of the appliance is still cooling down.
SUPER	If SUPER shows in the top half of the display, this means that the SuperCool function is switched on. If SUPER shows in the lower half of the display, the SuperFreeze function is switched on.
	Temperature alarm: The temperature in the freezer section is too warm. The symbol will flash alternately with the actual temperature in the freezer.
	Door alarm: The appliance door has been left open.
	The appliance is in "contrast adjustment of the door display" mode.
	Power cut: The freezer section has become too warm at some point during the past few days, because of a power interruption.
	There is a fault with the appliance.

Selecting the correct temperature

It is very important to set the correct temperature for storing food in the appliance. Micro-organisms will cause food that is not stored at the correct temperature to deteriorate rapidly. The temperature influences the growth rate of these micro-organisms. Reducing the temperature slows their growth rate.

The temperature in the appliance will rise:

- the more often the door is opened and the longer it is kept open,
 - if too much food is stored in it at once,
 - the warmer the food being placed in it,
 - the higher the ambient temperature surrounding the appliance.
- The appliance is designed for use in specific ambient temperatures (climate ranges). Do not use the appliance in ambient temperatures for which it is not designed.

... in the refrigerator section

We recommend a temperature of **4 °C** in the refrigerator section.

Dynamic cooling

The dynamic cooling fan automatically switches on when the cooling system for the refrigerator section switches on. It helps to evenly distribute the temperature evenly throughout the appliance, so that all the food will be chilled to about the same degree.

... in the freezer section

To freeze fresh food and to store frozen food for a long time, a temperature colder than **-18 °C** is required. At this temperature, the growth of micro-organisms is largely halted. As soon as the temperature rises above **-10°C**, the micro-organisms become active in the food again so that it cannot be kept as long. For this reason, partially or fully defrosted food must not be re-frozen. By contrast, food may be re-frozen once it has been cooked, as the high temperatures achieved during cooking will destroy most micro-organisms.

Temperature selection

The temperatures for the refrigerator section and the freezer section are set independently, using the two buttons under the appropriate temperature display.

Press the



- + button: to raise the temperature (it gets warmer)
- button: to reduce the temperature (it gets colder)

The temperature being set will flash in the display.

Selecting the correct temperature

You can make changes to the temperature displays behind the door by pressing the buttons as follows:

- When first pressed, the **last temperature selected** flashes.
- Each subsequent press of the button adjusts the temperature shown in 1 °C increments.
- Holding the button in adjusts the temperature continually.

Approx. 5 seconds after letting go of the button, the **current** temperature of the refrigerator or freezer section is automatically shown.

If you have adjusted the temperature, **wait for approx. 6 hours if the appliance is not very full and for approx. 24 hours if the appliance is full** before checking the temperature display as it will take this long for the display to give an accurate reading. If, after this time, the temperature is still too high or too low, you will need to adjust it again.

Temperature range

The temperature can be adjusted:

- In the refrigerator section from 2 °C to 11 °C
- In the freezer section from -14 °C to -28 °C

The ambient temperature in the room and the installation location can affect the time it takes for the appliance to reach the lowest temperature. If the ambient temperature is too high, the appliance may not reach the lowest temperature.

Temperature displays

During normal operation the temperature displays on the control panel show the temperature in the middle of the refrigerator section and the temperature in the warmest part of the freezer section.

If the temperature in the appliance is not within the range that the appliance is able to display (above 0 °C in the refrigerator section, and below 0 °C in the freezer section), bars will flash in the temperature displays.

The **temperature displays flash** if

- a different temperature is being set,
- the temperature in the appliance has risen by several degrees, indicating that the appliance is warming up too much.

This loss of coldness is no cause for concern in the following circumstances:

- when the door has been left open for a while, e.g., for removing or loading a large amount of food,
- when fresh food is being frozen.

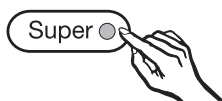
However, if the temperature in the freezer section remains above -18 °C for a long time, check that the frozen food has not started to defrost. If food has defrosted or started to defrost, check that it is still safe to use, and if so, use it as quickly as possible.

Selecting the correct temperature

Temperature display brightness

The appliance is supplied with the brightness of the temperature display behind the door set as low as possible. However, if the door is opened, or a setting is changed or the alarm is sounding, the temperature display behind the door will appear much brighter for approx. 1 minute.

The brightness level of this display can be adjusted:

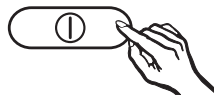


- Press and hold the SuperFreeze button for approx. 5 seconds.

The SuperFreeze indicator light will flash and a **h** will flash in the temperature display.



- Press one of the temperature selector buttons repeatedly until **h** appears in the display.
- Press the SuperFreeze button again.
h lights up in the display.
- You can now adjust the brightness level by pressing the temperature selector buttons. You can choose from settings **1** to **5**:
1: lowest setting,
5: brightest setting.
- Press the SuperFreeze button to save the setting.




- To exit the setting mode, press the freezer section On/Off button. If you do not do this, the electronics will revert to normal operation after 2 minutes.

Alarm

Your appliance has been fitted with a warning system, to ensure that the temperature in the freezer section does not rise unnoticed and to avoid energy being wasted if a door is left open.


Temperature alarm

If the temperature in the freezer section gets too warm, an alarm will sound and the temperature display behind the door will flash. The temperature display on the outside of the appliance door will also flash alternately with . The set temperature determines which temperatures will trigger the alarm.

The alarm will sound and the temperature display will flash:

- if the freezer section door has been left open for some time, e.g., in order to load, re-arrange or remove food.
- when freezing large amounts of food at once.
- if there has been a lengthy interruption to the power supply.

Door alarm

If one of the doors is left open for more than approx. 60 seconds, the alarm will sound and the temperature display on the outside of the appliance door will flash alternately with  (the symbol for an open door).

Activating the alarm system

The alarm system is always active. It does not need to be switched on manually.

Switching the alarm off early

Once the set temperature has been reached in the freezer section, the alarm stops and the temperature display behind the door will stop flashing and stays lit. The display on the outside of the appliance door will now show the temperature only. However, if the noise disturbs you, you can switch the alarm off before this if you wish.

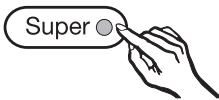


- Press the alarm off button. The alarm will stop. The temperature display will continue to flash until the set temperature has been reached. The display then stops flashing and stays lit. The alarm system is now ready should it be needed again.

SuperCool

The SuperCool function can be used to rapidly reduce the temperature in the refrigerator to its lowest setting (depending on the room temperature), and is particularly recommended for rapid chilling of large amounts of fresh food or drink.

Switching on SuperCool



- Press the SuperCool button (left-hand button). The SuperCool indicator light will come on.

The appliance works at full power to lower the temperature in the refrigerator section.

SUPER will show in the temperature display on the door.

Switching off SuperCool

The SuperCool function will automatically switch off after approx. 6 hours. The indicator light will go out, and the appliance will continue running at normal power.

To save energy, the SuperCool function can be switched off once food and drinks are sufficiently chilled.

- Press the SuperCool button. The SuperCool indicator light will go out, and the appliance will continue to operate at normal power.

Freezing fresh food

Fresh food should be frozen as quickly as possible. This helps maintain the nutritional value, vitamin content, appearance and taste of the food.

When food takes too long to freeze, it loses more water from its cells, which then shrink.

Later, when the food is defrosted, only some of this water is reabsorbed by the cells; the rest pools around the food.

In other words, the food can lose a considerable degree of moisture.

By contrast, when food is frozen quickly, the cells have less time to lose moisture, so they shrink less. Because there is not so much moisture loss, it is easier for the food to reabsorb the water during the defrosting process, and there is far less pooling around the defrosted food.

SuperCool and SuperFreeze

SuperFreeze

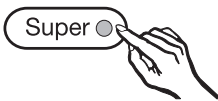
Before putting fresh food into the freezer section, switch the SuperFreeze function on.

Exceptions:

- when putting in food that is already frozen.
- when freezing less than 2 kg of fresh food daily.

Switching on SuperFreeze

When freezing small quantities of food in the freezer section, the SuperFreeze function should be switched on **6 hours beforehand**. When freezing **the maximum load of food** the SuperFreeze function should be switched on **24 hours beforehand**.



- Press the SuperFreeze button (right-hand button). The SuperFreeze indicator light will come on.

The appliance works at full power to lower the temperature in the freezer section.

In the door display, SUPER will appear in the temperature display for the freezer section.

Switching off SuperFreeze

Depending on the amount of food placed in the freezer section, the SuperFreeze function will switch off automatically after approx. 30 to 60 hours. The SuperFreeze indicator light will go out, and the appliance will continue running at normal power.

To save energy, the SuperFreeze function can be switched off once a **constant** temperature of -18°C or colder has been reached in the freezer.

- Press the SuperFreeze button. The SuperFreeze indicator light will go out, and the appliance will continue to operate at normal power.

Using the refrigerator efficiently

Different storage zones

Due to the natural circulation of the air in the appliance, there are different temperature zones in the refrigerator. Cold, heavy air sinks to the lowest section of the appliance. Make use of these different zones when placing food in the appliance.

Warmest area

The warmest area is in the top section of the door. Use this for storing butter and cheese.

Coldest area

The coldest area in a refrigerator is directly above the crispers.

Use this area for all delicate and highly perishable food, e.g.,

- fish, meat, poultry,
- sausage products, ready-made meals,
- dishes or baked goods containing eggs or cream,
- fresh dough and batters,
- soft cheese and other dairy products,
- pre-packed vegetables and other fresh food with a label stating it should be kept at a temperature of approx. 4 °C.

Do not store explosive materials in this appliance, nor any products containing propellants (e.g., spray cans). Danger of explosion.

If storing high-proof alcohol, make sure it is tightly closed and stored upright.

If you are storing bottles of oil, or food containing high levels of fat or oil, take care not to let the fat or oil come into contact with plastic components in the appliance. Fat and oil can cause stress cracks in the plastic components.

Food must not touch the back wall of the appliance, as it may freeze to the back wall.

Food that should not be stored in a refrigerator

Not all food is suitable for refrigeration. This includes:

- Fruit and vegetables that are sensitive to cold, such as bananas, avocados, papayas, passionfruit, eggplant, peppers, tomatoes and cucumbers
- Fruit that is not yet ripe
- Potatoes
- Some hard cheeses, such as Parmesan.

Using the refrigerator efficiently

Storing food correctly

Store food covered or packaged. This will prevent food smells or tastes from affecting other foods. It also will prevent food from drying out, and from cross-contamination of bacteria. The growth of bacteria, such as salmonella, can be avoided by setting the correct temperature and maintaining good standards of hygiene.

Fruit and vegetables

Fruit and vegetables can be stored loose in the vegetable containers. However, bear in mind that some types of vegetables give off a natural gas that causes surrounding foods to ripen faster. Some fruit and vegetables react strongly to this gas and should not be stored together.

Examples of fruit that produces a large amount of this natural gas are:

Apples, apricots, pears, nectarines, peaches, plums, avocados and figs.

Examples of fruits and vegetables that react strongly to this natural gas are:

Kiwis, broccoli, cauliflower, Brussels sprouts, mangos, honeydew melons, apples, apricots, cucumbers, tomatoes, pears, nectarines and peaches.

Unpacked meats and vegetables

Different types of unpacked meats and vegetables must be kept separate. To avoid any microbiological cross-contamination, these foods must be separately wrapped if they are to be stored together.

Protein-rich foods

Please note that foods rich in protein deteriorate faster than other foods. Shellfish, for example, deteriorates faster than fish, and fish deteriorates faster than meat.

Meat

Meat should be stored loosely covered in suitable containers or packaging. Allowing the surface of the meat to dry slightly helps to prevent the growth of bacteria. To prevent the risk of bacterial cross-contamination, meat should not be allowed to touch other foods.

Moving the shelves

The shelves can be adjusted according to the height of the food.

- Half-way pull out the shelf, together with the glass-edge lighting, then raise it or lower it to remove.
- Keeping the shelf horizontal, slide it into the required position. The raised edge should face downwards.

If the glass shelf becomes separated from the glass-edge lighting when it is being removed, slide the glass-edge lighting out of the refrigerator horizontally. Reposition it in the required shelf level, and then slide the glass shelf in so that it reconnects with the glass-edge lighting.

Never look directly at the glass-edge lighting if the glass shelf is not in place. **Caution!** Laser (Laser beam Class 1 M). Do not look at the glass-edge lighting with optical instruments.

Adjusting the door shelves

- Push the door shelf upwards, then remove it by pulling it forwards. The lighting inside the refrigerator door cannot be moved.
- Replace the door shelf at the required position. Ensure that it is securely pushed back into position.

Adjusting the bottle rack

The bottle rack can be removed easily, and replaced under one of the other shelves.

Moving the bottle divider

(may vary by model)

The bottle divider can be moved to the left or right to ensure that bottles are held securely in position when the door is opened and shut.

Freezing and storing food

Maximum freezing capacity

To ensure that fresh food placed in the freezer freezes through to the core as quickly as possible, the maximum freezing capacity must not be exceeded. The maximum freezing capacity for freezing within a 24-hour period is listed on the data plate as "Freezing capacitykg/24 hrs".

Storing frozen food

When buying frozen food to store in your freezer compartment, check

- that the packaging is not damaged,
 - the best-before date,
 - the temperature at which the frozen food is being stored in the supermarket. The length of time the food can be kept is reduced if it has been stored at a temperature warmer than -18°C.
- Buy frozen food once you have finished the rest of your shopping, and wrap it in newspaper or use a cool bag or cool box to transport it.
 - Store it in the freezer section as soon as possible.

Never re-freeze partially or fully defrosted food. Consume defrosted food as soon as possible, because it will lose its nutritional value and spoil if left for too long. Do not refreeze defrosted food until after it has been cooked.

Freezing fresh food

Only freeze fresh food that is in good condition.

Tips for freezing fresh food

- The following types of food **are suitable** for freezing:
Fresh meat, poultry, game, fish, vegetables, herbs, fresh fruit, dairy products, pastry/dough, leftovers, egg yolks, egg whites and a range of pre-cooked meals.
- The following types of food **are not suitable** for freezing:
Grapes, lettuce, radishes, sour cream, mayonnaise, eggs in their shells, onions, whole raw apples and pears.
- To retain colour, taste and vitamin C, vegetables should be trimmed, washed, and blanched. To blanch: bring a large saucepan of water to the boil, then immerse the vegetables in rapidly boiling water for 2-3 minutes, depending on type. Then drain the vegetables, plunge them into ice cold water and drain thoroughly.
- Lean meat freezes better than fatty meat, and can be stored for considerably longer.
- To prevent chops, steaks, cutlets or rolled meat from freezing together in solid blocks when packed, separate with a sheet of plastic freezer film.

Freezing and storing food

- Do not season fresh foods or blanched vegetables before freezing. Cooked food can be lightly seasoned before freezing, but care should be taken as the taste of some spices alters when frozen.
- Do not place hot foods or drinks in the freezer. This causes already frozen food to thaw, and increases the energy consumption considerably. Allow hot foods and drinks to cool down before placing them in the freezer.

Packing

- Freeze food in portions.

Unsuitable packing material

- wrapping paper
- greaseproof paper
- cellophane
- garbage bags
- plastic shopping bags

Suitable packing material

- plastic freezer wrap
 - freezer bags
 - aluminium foil
 - freezer containers
- To help prevent freezer burn, expel as much air as possible from bags, etc., before sealing them.
 - Close the packaging tightly with
 - rubber bands
 - plastic clips
 - string
 - cold-resistant adhesive tape

Freezer bags and pouches can also be sealed using a home heat sealing kit.

- Make a note of the contents and the date of freezing on the packaging.

Before placing food in the freezer section

- If you plan to freeze more than 2 kg of fresh food, the SuperFreeze function should be switched on ahead of time, before placing the food in the freezer section (see "SuperFreeze").

Placing food in the freezer section

Although fresh food can be placed in any drawer for freezing, it is preferable to use the upper drawers. Large quantities can be placed directly on the glass cold plates to freeze the food quickly. To do this, first take out one or several freezer drawers.

Each drawer and glass cold plate can support a maximum of 25 kg.

- Place the food flat in the bottom of the drawers or on the glass cold plates in the freezer so that it freezes through to the core as quickly as possible.
- Make sure that the packaging and containers are dry to prevent them sticking together when frozen.

When freezing, make sure that already frozen food does not come into contact with fresh food being frozen as this could cause the frozen food to begin to defrost.

Freezing and storing food

Freezing large items

To freeze a large item such as a turkey or joint of meat, the glass cold plates between the freezer drawers can be removed. To do this:

- Remove the freezer drawers, and carefully slide out the glass cold plate you wish to remove.

Freezer calendar

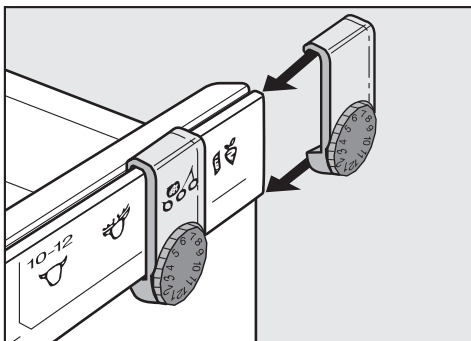
The freezer calendar on the freezer drawer shows the length of time for which various foods can be stored.

In cases where the storage time indicated on the food packaging differs, follow the advice on the packaging.

Marker system for frozen food

Markers serve as a reminder of how long food has been stored.

Each freezer drawer has two slide markers with dials. The months are represented on the dials as 1 – 12.



- Slide the markers onto the guide runners on the edge of the drawers.

Use the markers to indicate the type of food being frozen, and turn the dials to the appropriate number to indicate the month the food was first placed in the freezer.

Defrosting

Frozen food can be defrosted in different ways:

- in a microwave oven,
- in an oven - using the "Fan" or "Defrost" setting,
- at room temperature,
- in a refrigerator,
- in a steam oven.

Poultry It is especially important to observe proper hygiene when defrosting poultry. Never save the liquid from defrosted poultry. Drain it away and promptly wash the container, the sink and your hands. Danger of salmonella poisoning.

Fruit should be defrosted at room temperature in its packaging, or in a covered bowl.

Most vegetables can be cooked while still frozen. Simply place directly into boiling water or hot oil. The cooking time is slightly less than for fresh vegetables.

Never re-freeze partially or fully defrosted food. Consume defrosted food as soon as possible, because it will lose its nutritional value and spoil if left for too long. Do not refreeze defrosted food until after it has been cooked.

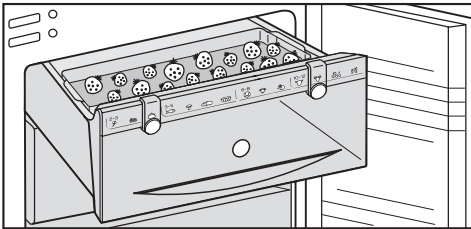
Cooling drinks

To quickly cool drinks, it is recommended to use the SuperCool function in the refrigerator section. However, if you choose instead to place bottles in the freezer section for rapid cooling, make sure that they are not left in for more than one hour, as they could burst.

Freezer tray

(may vary by model)

The freezer tray is useful for freezing small items such as berries, herbs and vegetables. These can be frozen individually to maintain their shape when defrosted.



- Space the food out loosely on the tray.
- Hang the tray in one of the upper freezer drawers.

Leave food for 10 - 12 hours to freeze thoroughly on the tray. Transfer it to a freezer bag or suitable container once frozen. Place the bag or container in the freezer drawer.

Cool pack

(may vary by model)

The cool pack prevents the temperature in the freezer from rising too quickly in the event of a power cut.

Place the cool pack in the upper drawer directly on top of food, or on the freezer tray to save space. The cool pack will be at its most effective after it has been in the freezer for approx. 24 hours.

If there is a power cut, place the cool pack directly on top of the frozen food in the upper drawer so that the food will be kept cold for as long as possible.

When placing fresh food in the freezer, use the cool pack to separate the fresh food from the food which is already frozen, so that the frozen food does not begin to thaw.

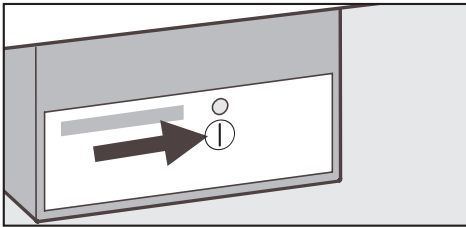
The cool pack can also be used in a cool bag to keep food or drinks cool for a short period of time.

Making ice cubes (may vary by model)

For the automatic ice cube maker to operate, it must be connected to the household water line.

Switching the ice cube maker ON

- Switch the freezer ON.
- Open the top left drawer in the freezer section.



- Press the ON/OFF button, and the indicator light will now come on.
- Close the drawer.

The drawer must be completely shut for ice cubes to be produced.

After the appliance is turned on for the very first time, it can take up to 24 hours for the first ice cubes to drop out of the ice cube maker and collect in the drawer. Thereafter, when the ice cube maker is switched off and then on again it will take a maximum of 6 hours for ice to be produced.

To ensure that the water pipes are thoroughly flushed through, you must not consume the first three batches of ice from the ice maker. This applies not only when the appliance is first being used after installation, but also if it has been out of use for a longer period of time (for example, after being away on holiday).

Making a large amount of ice cubes

The amount of ice cubes made depends on the temperature in the freezer section. The lower the temperature, the more ice cubes are produced within a given period of time. Once the ice cube drawer is full, ice cube production is automatically halted.

If you require a large amount of ice cubes,

- replace the full ice cube drawer with the drawer beside it on the right.

Once the empty drawer has been placed in position and closed properly, the ice cube maker will begin to produce new ice cubes again.

Making ice cubes (may vary by model)

Switching OFF the ice cube maker

If you do not want the appliance to make any ice cubes, the ice cube maker can be switched off independently of the freezer section.

- Press the ON/OFF button on the ice cube maker, and the indicator light will now come on.

If the ice cube maker is switched off, the ice cube drawer can be used as an extra drawer for freezing fresh food or storing frozen food.

Automatic defrosting

Refrigerator section

During normal operation, condensate and frost can form on the back wall of the refrigerator section. These are automatically removed by the appliance during automatic defrosting.

The condensate is drained away through a channel and drain hole, then fed into an evaporation system at the back of the appliance.

It is important to keep the condensate channel and drain hole clean and free of blockages, so that the condensate can flow away properly.

Freezer section

The freezer is equipped with a "frost-free" system, which automatically defrosts the freezer section as needed, to prevent build-up.

The moisture generated in the appliance collects on the condenser, and is automatically defrosted and evaporated periodically.

This automatic defrosting system keeps the freezer section permanently ice-free, while ensuring that the food stored in the freezer section does not defrost.

Never use cleaning agents containing abrasive substances such as sand, soda (sodium carbonate), acids or chemical solvents.

"Non-abrasive" cleaning agents are also unsuitable as they can cause matte areas to appear.

Stainless steel surfaces can be treated using a proprietary conditioning agent for stainless steel (available from the Miele Spare Parts Department). Follow the manufacturer's instructions (on the packaging).

Do not let water enter the electronic unit, the glass-edge lighting, the door display or the ventilation slits.

When cleaning, do not let water enter the drainage channel or drain hole.

Do not use steam-cleaning equipment to clean this appliance. Steam could reach the electrical components and cause a short circuit.

The data plate located inside the appliance must not be removed. It contains information that will be required in the event of a Service call.

Before cleaning

- Switch the appliance off by pressing both On/Off switches, then unplug it.
- Take any food out of the appliance and store it in a cool place.
- Take out any removable parts, e.g., shelves, for cleaning.

Cleaning the housing, interior and accessories

Use warm water with a bit of dishwashing liquid. Wash all accessories by hand only. Do not wash in a dishwasher. However, the butter dish and the transparent trim at the front of the glass shelves are dishwasher safe.

- Clean the appliance at least once a month.
- To make it easier to clean the refrigerator shelves, you can remove the trim from the front, and the glass-edge lighting from the back.
- Clean the condensate channel and drain hole in the refrigerator section frequently so that condensate can drain away unhindered. Use a straw or similar item to clear the drain as needed.
- Clean stainless steel surfaces with a suitable cleaning agent, according to the manufacturer's instructions on the packaging. Do NOT use stainless steel cleaner on the door display.

Cleaning and care

- After cleaning, wipe the interior and accessories with a damp cloth, then dry with a soft cloth. Leave the doors open to air the appliance for a short while.

E-Cloth

- A microfibre "E-Cloth" is available from the Miele Spare Parts Department. The E-Cloth is suitable for cleaning surfaces such as stainless steel, glass, plastic and chrome without the use of chemicals.

Cleaning the ice cube tray (may vary by model)

The ice cubes are formed in a tray before they are dropped down into the drawer.

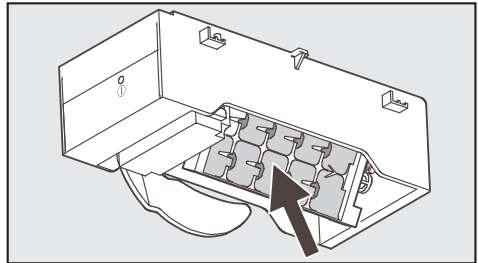
The tray should be cleaned regularly to remove any stale ice or water.

- Connect the appliance to the electricity supply.
- Press the On/Off button on the ice cube maker. The indicator light will come on.
- Empty the ice cube drawer.
- Press the On/Off button on the ice cube maker and hold for approx. 10 seconds (after about 1 second the ice cube maker will switch off and the indicator light will go out).

The indicator lamp will flash.

- Within the next 60 seconds, push the ice cube drawer in as far as it will go.

The ice cube tray will then rotate into an angled position, which makes it easier for cleaning:



- Wait until the ice cube tray has completed this rotation before continuing.
- Now take the ice cube drawer out of the appliance and clean it.
- Next, clean the ice cube tray with hot water and a bit of dishwashing liquid. Rinse thoroughly.
- Press the On/Off button on the ice cube maker.

The ice cube tray will return to its original position.

- Now put the ice cube drawer back in the appliance and close it.

The ice cube maker will begin to produce ice cubes again after a maximum of 6 hours.

If the ice cube maker has not been used for a while, it is important to clean the ice cube tray before using it again.

Ventilation slits

- The ventilation slits should be cleaned regularly with a brush or vacuum cleaner. A build-up of dust will increase the energy consumption of the appliance.

Door seals

Do not use any grease or oil on the door seals, as they will cause the seals to deteriorate and become porous over time.

The door seals should be cleaned regularly with clean water, then wiped dry with a soft cloth.

Metal grille at the back of the appliance

The metal grille at the back of the appliance is the heat exchanger, and should be dusted at least once a year. A build-up of dust will increase the energy consumption of the appliance.

When cleaning the grille, make sure that the pipework and other components do not become broken or damaged in any way.

After cleaning

- Return all shelves and accessories to the refrigerator section.
- Place food back in the refrigerator section, close the doors, and switch on the refrigerator section and the freezer section.
- Switch on the SuperFreeze function so that the freezer section will cool down quickly. The indicator light will come on.
- Once the temperature in the freezer section has reached the required temperature, place the food back in the freezer drawers and slide the drawers back into the freezer section.
- Switch off SuperFreeze by pressing the SuperFreeze button. The indicator light will go out.

Problem-solving guide

Repairs to electrical appliances should only be carried out by a suitably qualified and competent person in strict compliance with current local and national safety regulations. Repairs and other work by unqualified persons could be dangerous. The manufacturer will not be held responsible for damage or injury arising from unauthorized work.

Some minor problems can be corrected without contacting the Miele Service Department.

What to do if . . .

. . . the refrigerator section or freezer section does not get cold?

- Check whether the appliance is switched on. The temperature display must be lit up.
- Check that the plug is correctly inserted in the socket.
- Check that the fuse is not defective and has not been tripped. If it has, contact the Miele Service Department.

. . . the door to the freezer section will not open because it has been opened and closed too many times in succession?

This is not a fault. The suction caused by opening and closing the door is preventing the door from opening. Wait a few minutes, then try again. It should now open without force.

. . . the temperature in the refrigerator section or freezer section is too low?

- Select a warmer temperature.
- SuperFreeze or SuperCool has not yet switched itself off? The corresponding indicator light is on, and SUPER appears in the door display.

. . . the appliance is kicking on too frequently and for too long?

- Check whether the ventilation slits under the base (plinth) are blocked or dusty.
- Check whether the metal grille (heat exchanger) at the back of the appliance has become dusty.
- The doors have been opened too frequently, or a large amount of fresh food has been put in at once for freezing.
- Check that the doors have been closed properly.

. . . food has frozen together?

Use a blunt instrument, e.g., a spoon handle or plastic scraper, to pry it apart carefully.

. . . light-coloured lines appear in the door display?

- The appliance may have been disconnected from the electricity supply briefly.

This is not a fault. The light-coloured lines will disappear after a while.

If the appliance was not disconnected from the electricity supply and the light-coloured lines do not disappear, contact the Miele Service Department.

. . . the alarm sounds, the temperature display for the freezer section is flashing, and is flashing in the door display?

The freezer section temperature has risen above the set temperature because

- the freezer section door has been opened too frequently, or large amounts of fresh food have been put in at once for freezing.
- the ventilation slits are blocked.
- there has been a lengthy interruption to the power supply.

Once the problem has been resolved, the freezer section temperature indicator light will stop flashing and the alarm will stop.

. . . a bar is lit up or flashing in the temperature display(s)?

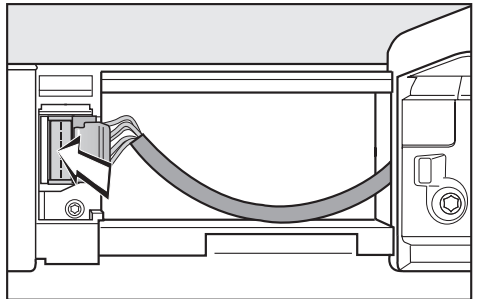
Check the temperature displays about 6 hours after switching on the appliance. The display will not show any temperature until the temperature in the appliance has reached a certain level.

. . . one of the display areas in the door display is not lit up?

This is not a fault. The corresponding section of the appliance is switched off.

. . . the door display does not light up?

- Check whether the appliance is switched on.
- Check that the plug connector between the appliance door and the appliance is working properly:
 - Disconnect the appliance from the electricity supply.
 - Open the door to the refrigerator section.
 - Remove the cover from the bearing block.



- Check the plug connector.
- Refit the cover over the bearing block.
- Reconnect the appliance to the main electricity supply.

If the appliance is switched on and the plug connector is working properly, but the door display is still not lit up, there is a fault. Call the Service Department.

. . . "F1" to "F5" appear in the temperature display.

There is a fault. Call the Service Department.

Problem-solving guide

... appears in the door display.

There is a fault. Call the Service Department.

... "nA" appears in the temperature display, and appears in the door display.

The freezer section has become too warm at some point during the past few days, because of a power interruption.

- Press the alarm off button while "nA" is lit up in the display.

The temperature display will show the warmest temperature recorded in the freezer section during the power cut.

Depending on the temperature displayed, you should check the condition of food in the freezer. If food has defrosted or started to defrost, check that it is still safe to use, and if so, use it as quickly as possible. Do not refreeze defrosted food unless it has been cooked.

The warmest temperature will appear in the display for about 1 minute, followed by the current temperature in the freezer section.

... you cannot switch the ice cube maker on?

- Check whether the appliance is connected to the electricity supply.

... the ice cube maker is not producing any ice cubes?

- Was the water inlet pipe primed (purged of air) by a qualified technician before the appliance was used for the first time?
- Check whether the ice cube maker is switched on.
- Check whether the freezer section is switched on.
- Check whether the stopcock is open.
- Check that the ice cube drawer has been closed properly.

Remember that it can take up to 24 hours until the first ice cubes are produced.

... the indicator light on the ice cube maker is flashing?

There is a fault. Call the Service Department.

... the SuperFreeze or SuperCool indicator light is not lit up, although the appliance is working and SUPER appears in the door display.

The indicator light is defective. Call the Service Department.

... you cannot switch the appliance off?

The safety lock has been activated.

. . . the interior lighting or the door lighting is not working?

- The refrigerator section door may have been left open for too long. The lighting automatically switches off after the door has been open for approx. 15 minutes.

If the door to the refrigerator section has been open for less than 15 minutes, and the lighting does not work, then there is a fault. Call the Miele Service Department.

Do not use force to open the glass-edge lighting. Danger of injury.

. . . the floor of the refrigerator is wet?

The drain hole is blocked.

- Clean the condensate channel and drain hole.

If, after following these suggestions, you still cannot remedy the fault, please contact the Miele Service Department.

To prevent unnecessary loss of temperature it is advisable not to open the door(s) while waiting for the technician to arrive.

Noises

Normal noises	What causes them?
Brrrrr...	Humming noise made by the motor (compressor). This noise may get louder for brief periods, whenever the motor kicks in.
Blubb, blubb....	A gurgling noise can be heard when coolant is circulating through the pipes.
Click....	Clicking sounds occur whenever the thermostat switches the motor on or off.
Sssrrrrr....	In multi-zone and frost-free appliances, the movement of air circulating through the appliance can sometimes just barely be heard.

Please bear in mind that a certain amount of noise is unavoidable (from the compressor, and the coolant circulating through the system).

Noises that you can easily rectify	What causes them, and what can you do about them?
Rattling, vibrating	The appliance is uneven: Balance the appliance using a level, and by raising or lowering the screw feet underneath the appliance, or placing something underneath them.
	The appliance is touching another appliance or piece of furniture: Move it away.
	Drawers, baskets, or shelves are unstable or sticking: Check all removable items and refit them correctly.
	Bottles or containers are unstable or knocking against each other: Separate them.
	The transport cable clips are hanging loose at the back of the appliance: Remove the clips.

In the event of a fault that you cannot correct yourself, or if the appliance is under guarantee, please contact:

– your Miele Dealer

or

– the Miele Service Department (see back cover for address).

When contacting your Dealer or the Service Department, please quote the model and serial number of your appliance. This information is shown on the data plate.

Please note that telephone calls may be monitored and recorded for training purposes.

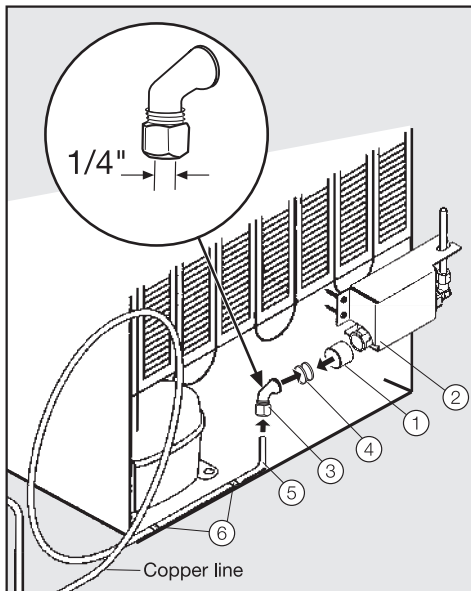
Plumbing (may vary by model)

The machine must be connected to the water supply by a licensed plumber in accordance with local and national regulations. The water being used should have the drinking water standards of the respective country where the machine is used.

- All units and systems used to deliver the water to the appliance must conform with the requirements of the respective country.
- The machine is designed to be plumbed to a cold water connection.
- The on-site water line must have a water valve to turn the water off if needed. If not present, have a water valve installed by a licensed plumber.
- The water valve must be accessible after installation.
- Water pressure on-site:
Minimum: 14.5 psi
Maximum: 145 psi, if higher, install a pressure reduction valve.
- Suitable 1/4" tubing or copper piping must be supplied for plumbing.
- To ensure the best ice cube quality, the maximum length of the tubing or copper pipe should not exceed 4 ft. 11" (1.5 m). If too much water remains in the tubing the quality could be affected.

Connecting to the water supply

- Disconnect the machine from the electrical supply.



- Remove the cover cap (1) from the solenoid valve (2).
- Install the compression fitting (3) with the sealing ring (4) on the solenoid valve (2).
- Attach the copper line (5) to the compression fitting (3).
- Secure the copper line to the appliance using cable clips (6).

Plumbing (may vary by model)

- Open the valve for water supply and check entire water system for leaks.

Before using the appliance for the first time, a licensed plumber should bleed air from the system.

- Please use caution.
- Slide the appliance into the desired position.

After a maximum of 24 hours the first ice cubes will drop out of the ice cube maker and collect in the drawer.

Electrical information

The appliance is delivered ready for connection to a 60 Hz, 115 V power supply. It is only suitable for plugging into a properly grounded socket that complies with regulations. The appliance must only be plugged into a wiring system that complies with the local Electrical Code.

The fuse must be rated at least 10 A.

Ideally, the socket should be next to the appliance and easily accessible. Do not connect the appliance to the power supply by an extension cord. Extension cords do not guarantee the required safety of the appliance (danger of overheating, for example).

If any changes are needed to the household wiring or power supply, this must be performed by a qualified electrician only.

Do not place any items that produce heat on top of the appliance (such as a toaster or microwave). This will increase the amount of energy the appliance consumes.

This fridge/freezer should not be placed in a side-by-side formation with a second model. Because the appliance does not have heated side walls, a side-by-side arrangement can lead to the build-up of condensation water. Contact your dealer for advice.

Location

The appliance should not be installed directly next to a heat source (such as a stove/oven or a radiator), or in direct sunlight. The higher the adjacent temperature, the more energy the appliance requires to keep cool. Choose a dry, well-ventilated room for installation.

Climate range

The appliance is designed for use within a certain temperature range (room temperature), and should not be used outside this range. The climate range is stated on the model plate inside the appliance.

Climate range	Room temperature
SN	+10 °C to +32 °C (50 F to 90 F)
N	+16 °C to +32 °C (61 F to 90 F)
ST	+18 °C to +38 °C (64 F to 100 F)
T	+18 °C to +43 °C (64 F to 109)

If the room is too cold, it will cause the cooling system in the appliance to switch off for too long. This can cause the internal temperature to rise.

Proper ventilation

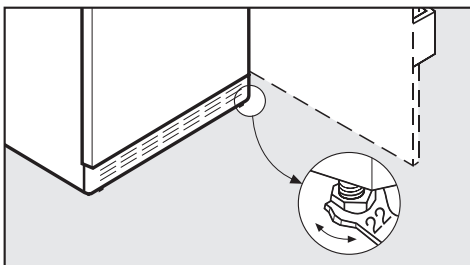
The air behind the appliance gets warm. In order to ensure adequate ventilation, you must ensure that the vents are not covered or blocked in any way. Also, the vents must be dusted/cleaned on a regular basis.

Installation

- First remove any cable clips from the rear of the appliance.
- Check that all parts on the rear the appliance are free to move. Remove any obstructions.
- Gently slide the appliance into the desired location. The rear of the appliance can be directly against the wall.

Installation information

Adjustments



- Use the flat wrench provided to adjust the feet as needed, so that the appliance is even all around.

Changing the door hinging

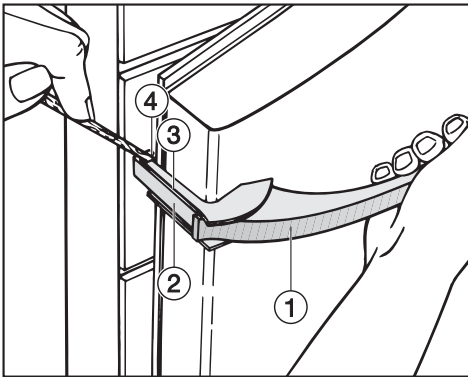
The appliance is supplied with a right-hand hinge. If left-hand door hinging is required, follow the instructions below.

Check that the appliance has been disconnected from the electricity supply and unplugged. Danger of electric shock.

To change the door hinging, you will need various sizes of **Torx screwdrivers**, a pair of **flat-nosed pliers** and a **wrench**.

Removing the door handles:

First, the side sections of the handles must be removed:



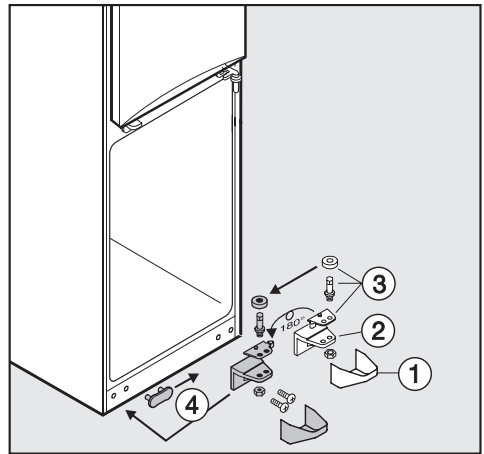
- Pull door handle ① towards you. Side section ② slides back, creating a gap ④ between side section ② and mounting plate ③.
- Place a suitable object (e.g., a spoon handle) in gap ④, and slowly pry the handle towards the door.

Be careful not to let the "spoon handle" slip, causing damage to the appliance.

The side section ② can now be removed.

- Pull side section ② out of the guides on the mounting plate.
- Loosen the 4 screws in the mounting plate, and remove the handle.
- Remove the cover caps from the opposite side, and fit them into the empty holes.

Removing the freezer section door:

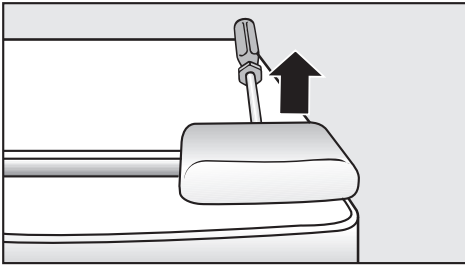


- Carefully pry off cover ① using a screwdriver.
- With the appliance door closed, unscrew lower hinge bracket ② and then take the door down and off.
- Refit cover cap ④ on the opposite side.

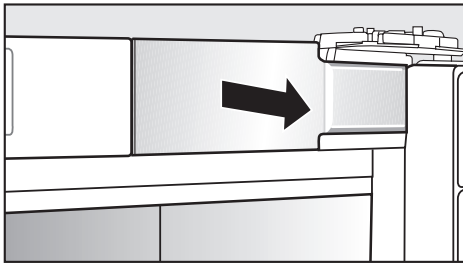
Changing the door hinging

- Using a wrench, unscrew the hinge pins from hinge bracket ②, and refit all hinge parts ③ in the hinge bracket on the opposite side.

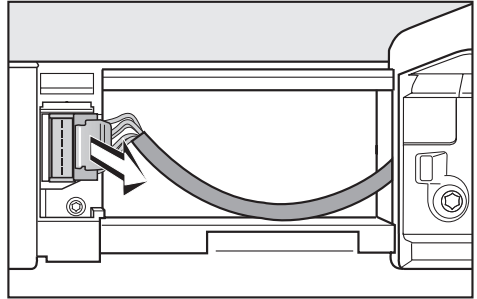
Removing the refrigerator section door:



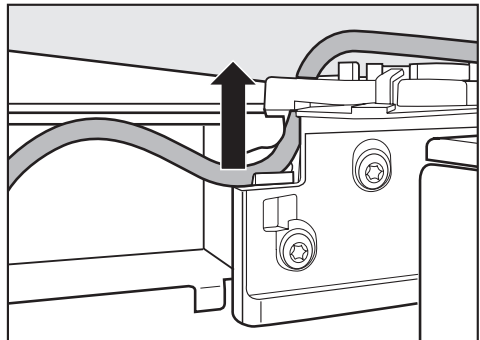
- Remove the bearing block cover on top of the appliance. To do this: Using a screwdriver, carefully pry the bearing block cover off from behind.
- Open the door to the refrigerator section.



- Remove the cover (see illustration).

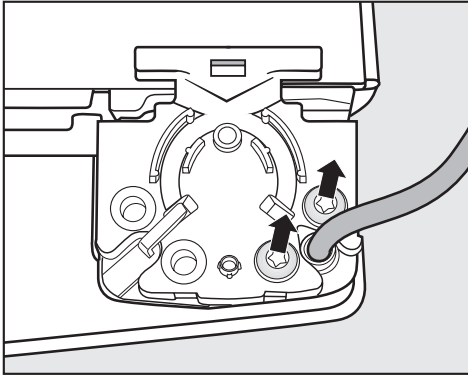


- Open the plug holder out towards you, and use it to pull the plug out.



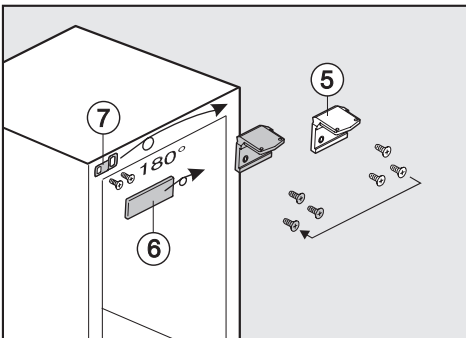
- Pull the cable carefully upwards from behind the bearing block.
- Close the refrigerator section door.

Changing the door hinging

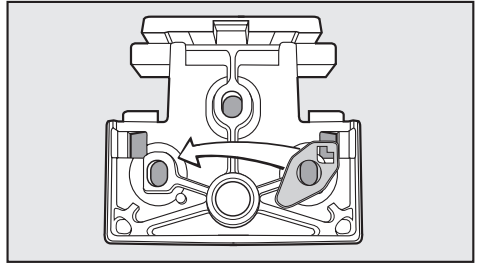


- Remove the two screws from the top of the bearing block.
- Swing the door out to the side, then lift it up and off.

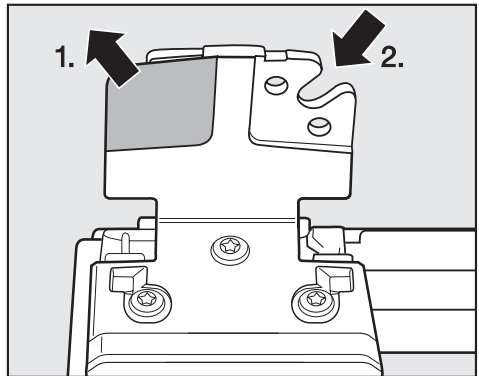
Refitting the parts:



- Unscrew bearing block ⑤.
- Remove cover ⑥.
- Refit cover ⑥ on the opposite side by turning it 180° and then pushing it in from the side. Next, turn the earthing contact ⑦ around and fit it on the opposite side, too.

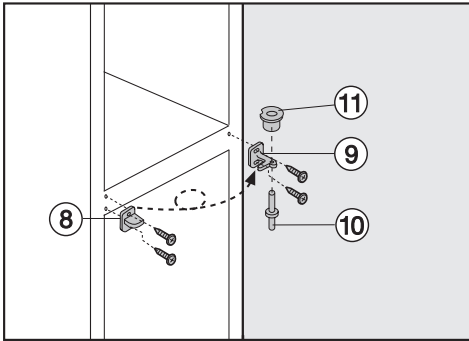


- Fit the spacer bushings at the back of the bearing block on the opposite side.
- Screw the bearing block onto the opposite side.



- Pull the grey cover on the bearing block forwards (1) and push it into the other side of the bearing block (2).

Changing the door hinging

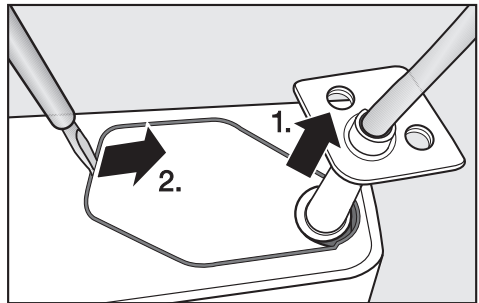


Exchange cover ⑧ in the middle of the appliance with hinge bracket ⑨. To do this:

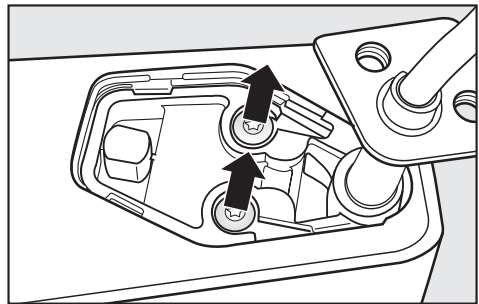
- Unscrew cover ⑧ and hinge bracket ⑨.
- Pull bearing bushing ⑪ upwards out of the hinge bracket and then pull hinge pin ⑩ downwards and off.
- Turn the cover and bracket around and screw them securely into the opposite side.
- Replace bearing bushing ⑪ into hinge bracket ⑨ from above and then push hinge pin ⑩, long side first, from below into the hinge bracket.

Important: When fitting the bearing bushing and the hinge pin, make sure that they both fit correctly in the hinge bracket.

Refitting parts in the upper appliance door:

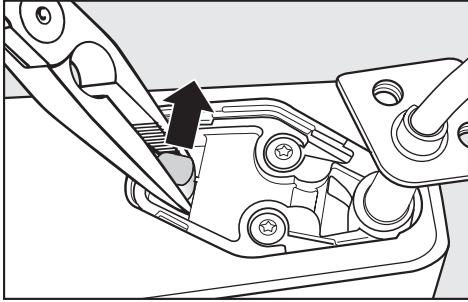


- Pull the bearing bushing approx. 2 cm out of the door (1).
- Using a screwdriver, carefully remove the covers from both sides (2).



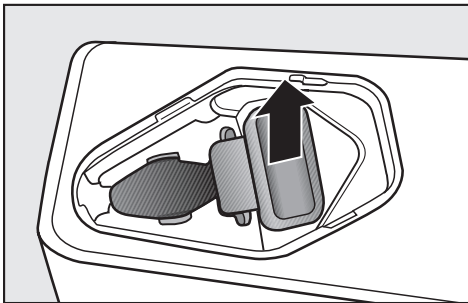
- Loosen both screws in the insert (see arrows).

Changing the door hinging



- Using flat-nosed pliers, carefully pull the insert out together with the entire cable loop.

Do **not** pull on the cable to remove the insert - you could damage it!

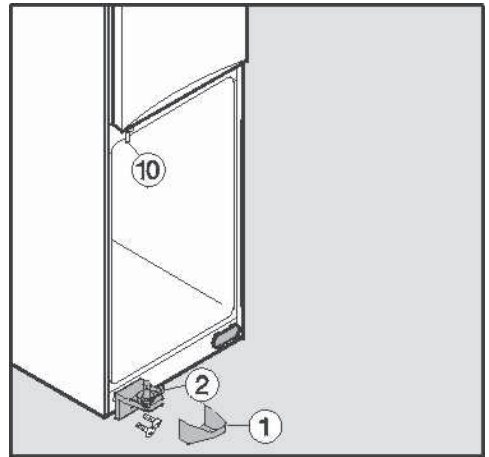


- Remove the stoppers and replace them on the opposite side.
- Replace the cable loop and insert on the opposite side.
- Screw the insert securely into position.
- Fit the covers back onto both sides. Cover **A** (marked on the underside of the cover) **goes on the side with the cable**, Cover **B** on the other side!
- Push the bearing bushing securely into position until there is almost no

gap between it and the top of the door.

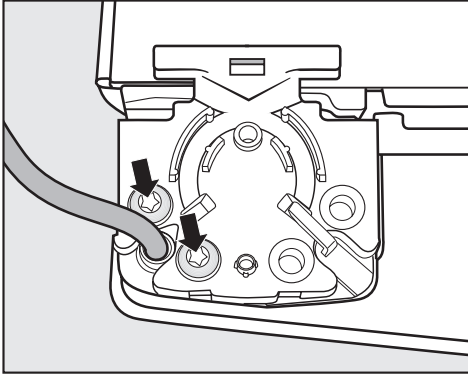
Refitting the appliance doors:

- Fit the stoppers into the top of the freezer section door.



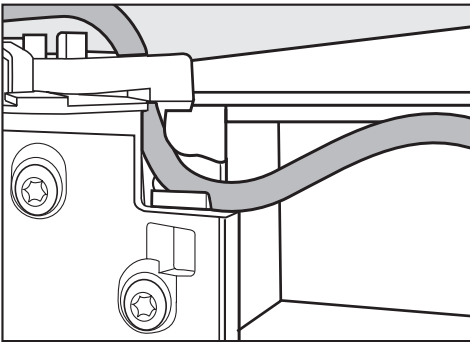
- Hang the lower door on hinge pin ⑩ and then close the appliance door.
- Fit lower hinge bracket ② in the door bearing bushing of the lower door. Then screw it securely to the housing.
- Refit cover ①.
- Fit the top appliance door onto middle hinge pin ⑩.
- Open the door.

Changing the door hinging

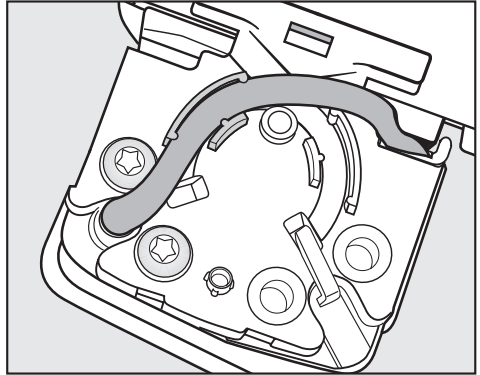


- Secure the appliance door to the bearing block using both top screws. Push the bearing bushing up to the bearing block until the screws connect with the thread.

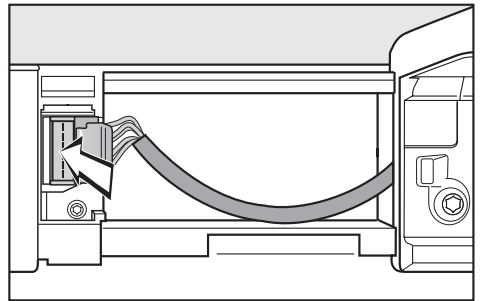
- Open the door to the refrigerator section.



- Place the cable behind the bearing block.

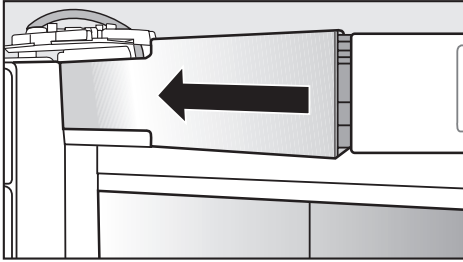


- The cable should lie close to the guides in the bearing block.



- Connect the cable plug in the appliance and fold the holder back to the side.

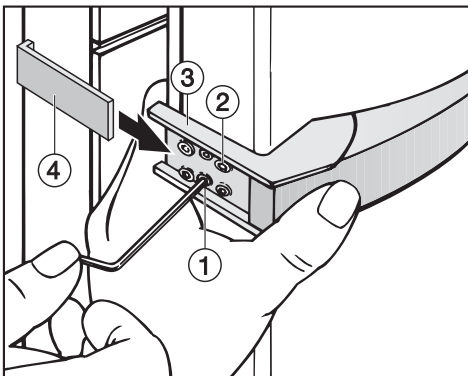
Changing the door hinging



- Push the cover back over the plugs and the bearing block.
- Clip the bearing block cover back into position at the top of the appliance.

Refitting the handles:

Please make sure to carefully follow the instructions below when you refit the handle. The door seal will be damaged if the handle is fitted incorrectly.



- Loosely attach the handle to the opposite side of the door with the two front screws (2).

Mounting plate (3) must be positioned on the side of the door so that when the door is **closed** it is flush with the side of the appliance.

If this is not the case

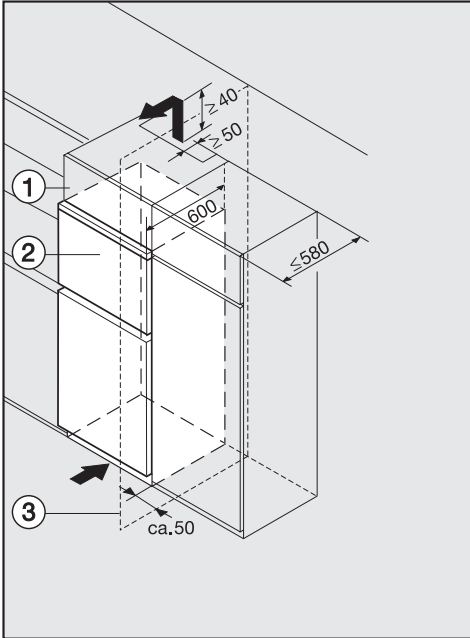
- tighten the two grub screws (1) with the Allen key provided, until mounting plate (3) lines up correctly.
- Then tighten all 4 fixing screws (2).
- Slide the side section of the handle (4) into the guides on the mounting plate until it clicks into place.

It is important to check that the side section of the handle (4) does not come into contact with the door seal when opening the door, as this would damage the door seal permanently.

If, after you have refitted the handle, you find that the side section does touch the door seal when the door is opened:

- Realign mounting plate (3) with grub screws (1) until the mounting plate and the side section of the handle (4) are at the correct angle and the side section does not touch the seal when the door is opened.

Installing the appliance



The air intake and outlet must not be blocked or covered in any way. They also need to be dusted/cleaned on a regular basis.

If the appliance is installed next to a wall ③, a gap of approx. 50 mm (2") is needed on the hinge side between the wall and the appliance ②, so that the appliance doors can be completely open, with space for the handle.

The appliance can be installed in any kitchenette. To match the appliance to the height of the kitchenette, a suitable adapter cabinet ① can be installed over the appliance.

A ventilation gap of at least 50 mm (2") depth must be left behind the appliance. The gap between the appliance/adapter cabinet and the room ceiling must be at least 40 mm (1 9/16"), so that warm air can escape without obstruction. Otherwise the appliance has to work harder, which results in increased energy consumption. The greater the ventilation cross-section, the more energy-efficient the appliance can be.



Miele Limited

Headquarters and Showroom

161 Four Valley Drive
Vaughan, ON L4K 4V8

Phone: 800-643-5381
905-660-9936

Fax: 905-532-2290

www.miele.ca

info@miele.ca (general enquiries)

professional@miele.ca (commercial enquiries)

MieleCare National Service

Phone: 800-565-6435
905-532-2272

Fax: 905-532-2292

service@miele.ca (technical enquiries)

Subject to change without notice / 3407

M.-Nr. 06 921 010 / 00

KFN 8995 SD ed-1
KFN 8996 SDE ed-1



Free Manuals Download Website

<http://myh66.com>

<http://usermanuals.us>

<http://www.somanuals.com>

<http://www.4manuals.cc>

<http://www.manual-lib.com>

<http://www.404manual.com>

<http://www.luxmanual.com>

<http://aubethermostatmanual.com>

Golf course search by state

<http://golfingnear.com>

Email search by domain

<http://emailbydomain.com>

Auto manuals search

<http://auto.somanuals.com>

TV manuals search

<http://tv.somanuals.com>