

Miele

Operating and installation instructions




Under counter wine conditioning unit KWT 4154 UG-1

To avoid the risk of accidents or damage to the appliance, it is **essential** to read these operating instructions before it is installed or used for the first time.

en - GB

M.-Nr. 07 057 851

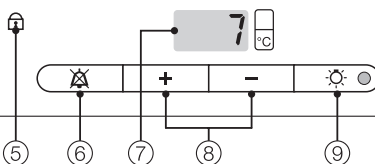
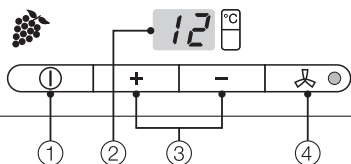
Contents

Description of the appliance	4
Caring for the environment	6
Warning and Safety instructions	7
Switching on and off	11
Safety lock	11
Switching off for longer periods of time	12
The correct temperature and humidity	13
Temperature	13
Safety features	13
Isolation shelf for thermal separation	13
Setting the temperature	13
Temperature range	14
Temperature display	14
Temperature display brightness	14
Humidity level	15
Constant humidity (Dynamic cooling) button 	15
Switching off	16
Air filtering with the active charcoal filter	16
Interior lighting	17
Switching on the interior lighting	17
Adjusting the brightness	17
Storing wine bottles	18
Capacity	18
Wooden shelves	18
Descriptive labels	18
Alarm	19
Temperature alarm	19
Door alarm	19
Activating the alarm system	19
Switching the alarm off early	19
Defrosting	20
Cleaning and care	21
Cleaning the interior, the door and accessories	21
Ventilation gaps	22
Door seal	22
Active charcoal filter	22

Contents

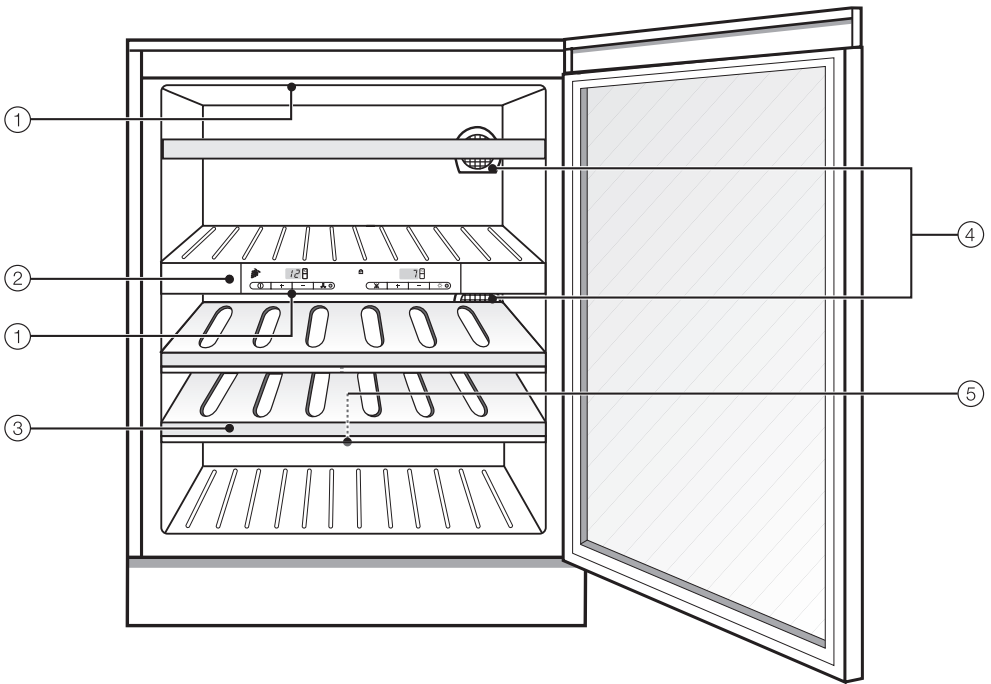
Problem solving guide	23
Noises	25
How to save energy	26
After Sales / Guarantee	27
Electrical connection IRL, U.K., ZA	28
Electrical connection AUS, NZ	29
Installation	30
Location	30
Climate range	30
Ventilation	31
Before installation	31
Changing the door hinging	32
Installation	34
Aligning the appliance to taller unit doors	34
Securing the appliance	35

Description of the appliance



- ① On/Off button
- ② Temperature display for upper zone
- ③ Temperature selector buttons for upper zone
left hand button: warmer
right hand button: colder
- ④ Constant humidity (Dynamic cooling) button and indicator light
- ⑤ Safety lock indicator light
- ⑥ Alarm "off" button
- ⑦ Temperature display for lower zone
- ⑧ Temperature selector buttons for lower zone
left hand button: warmer
right hand button: colder
- ⑨ Interior lighting button and indicator light

Description of the appliance



- ① Interior lighting
- ② Isolation shelf for thermal separation
- ③ Wooden shelf with décor strip for descriptive labels
- ④ Active charcoal filter
- ⑤ Condensate channel and drain hole

To ensure the correct functioning of the appliance in tropical climates where the ambient temperature exceeds 38°C and air humidity levels exceed 70% the appliance must only be used in a climate controlled room.

Caring for the environment

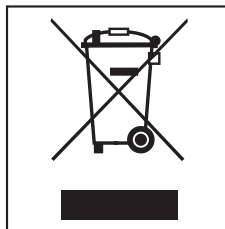
Disposal of the packing material

The transport and protective packing has been selected from materials which are environmentally friendly for disposal, and should be recycled.

Ensure that any plastic wrappings, bags etc. are disposed of safely and kept out of the reach of babies and young children. Danger of suffocation!

Disposal of your old appliance

Electrical and electronic appliances often contain materials which, if handled or disposed of incorrectly, could be potentially hazardous to human health and to the environment. They are, however, essential for the correct functioning of your appliance. Please do not therefore dispose of it with your household waste.



Please dispose of it at your local community waste collection / recycling centre or contact your dealer for advice. Ensure that it presents no danger to children while being stored for disposal.

Take care not to damage the pipework at the back of it before or during transportation to an authorised collection depot.

In this way, refrigerant in the pipework and oil in the compressor will be contained, and will not leak out into the environment.

Warning and Safety instructions

This appliance complies with all relevant local and national safety requirements. Improper use can, however, present a risk of both personal injury and material damage.

To avoid the risk of accidents and damage to the appliance, please read these instructions carefully before using it for the first time. They contain important notes on the installation, safety, operation and care of the appliance.

Keep these instructions in a safe place and pass them on to any future user.

- Hostels and guest houses.

This appliance is not intended for outdoor use.

It must only be used as a domestic appliance to store wine.

Any other usage is not supported by the manufacturer and could be dangerous. Miele cannot be held liable for damage resulting from incorrect or improper use or operation of the appliance.

► This appliance is not intended for use by persons (including children) with reduced physical, sensory or mental capabilities, or lack of experience and knowledge, unless they are supervised whilst using it, or have been shown how to use it correctly by a person responsible for their safety.

Warning!

If installed at altitudes above 1500 m, there is a risk of the glazing in the door shattering.

Shards of glass are very sharp and can cause severe injury if not handled with care.

Safety with children

► This appliance is not a toy! To avoid the risk of injury, do not allow children to play on it or near it, or to play with the controls. Please supervise young children whilst you are using it. Older children may only use the appliance if its operation has been clearly explained to them and they are able to use it safely, recognising the dangers of misuse.

Correct application

► This appliance is not designed for commercial use. It is intended for use in domestic households and in similar working and residential environments such as:

- Shops
- Offices and showrooms

and by residents in establishments such as

Warning and Safety instructions

Technical safety

► Before setting up the appliance, check it for any externally visible damage.

Do not install and use a damaged appliance.



► This appliance contains the coolant Isobutane (R600a), a natural gas which is environmentally friendly. Care must be taken during transportation and setting up of the appliance that no parts of the cooling system are damaged. Leaking coolant can damage the eyes. In the event of any damage:

- avoid open flames and anything which creates a spark,
- disconnect from the mains,
- air the room in which the appliance is located for several minutes and
- contact the Service Department for advice.

► The more coolant there is in an appliance, the larger the room it should be installed in. In the event of a leakage, if the appliance is in a small room, there is the danger of combustible gases building up. For every 8 g of coolant at least 1 m³ of room space is required. The amount of coolant in the appliance is stated on the data plate inside the appliance.

► Before connecting the appliance to the mains supply, make sure that the connection data on the data plate (voltage and connected load) match the mains electricity supply. This data must correspond in order to avoid the risk of damage to the appliance. Consult a qualified electrician if in any doubt.

► The electrical safety of this appliance can only be guaranteed when continuity is complete between it and an effective earthing system which complies with current local and national safety regulations. It is most important that this basic safety requirement is present and tested regularly, and where there is any doubt, the household wiring system should be inspected by a qualified electrician. The manufacturer cannot be held liable for damage or injury caused by the lack of or inadequacy of an effective earthing system (e.g. electric shock).

► If the connection cable is faulty it must only be replaced by a Miele approved service technician to protect the user from danger.

► Safe operation of the appliance is only assured if it has been installed and connected in accordance with these operating and installation instructions.

Warning and Safety instructions

► Installation work, maintenance and repairs may only be carried out by suitably qualified and competent persons in accordance with national and local safety regulations.

Repairs and other work by unqualified persons could be dangerous and the manufacturer will not be held liable. Ensure current is not supplied to the appliance until after maintenance or repair work has been carried out.

► The appliance is only completely isolated from the electricity supply when:

- it has been switched off at the wall socket and the plug has been withdrawn, or
- the fuse from the fused spur connection unit has been withdrawn, or
- the mains fuse has been disconnected, or
- the screw-out fuse is removed (in countries where this is applicable).

► Do not connect the appliance to the mains electricity supply by an extension lead.

Extension leads do not guarantee the required safety of the appliance (e.g. danger of overheating).

► This appliance must not be used in a non-stationary location (e.g. on a ship).

► In countries where there are areas which may be subject to infestation by cockroaches or other vermin, pay particular attention to keeping the appliance and its surroundings in a clean condition at all times. Any

damage which may be caused by cockroaches or other vermin will not be covered by the guarantee.

Correct use

► Do not store explosive materials in the appliance or any products containing propellants (e.g. spray cans). Thermostats switching on may produce sparks which could present a fire hazard. Flammable compounds could explode.

► Do not use any electrical equipment in this appliance. Danger of sparking and explosion.

► Do not use any oils or grease on the door seals, as these will cause the seals to deteriorate and become porous with time.

► Do not block the ventilation gaps in the appliance as this would impair the efficiency of the appliance, increase the electricity consumption and could cause damage to the appliance.

► The appliance is designed for use within certain climate ranges (ambient temperatures), and should not be used outside this range. The climate range for your appliance is stated on the data plate inside the appliance.

Installing it in a room with too low an ambient temperature, e.g. a garage, can lead to the appliance switching off for longer periods so that it cannot maintain the required temperature.

► Do not use a steam-cleaning appliance to clean this appliance. Steam could reach the electrical components and cause a short circuit.

Warning and Safety instructions

Disposing of your old appliance

▶ Before disposing of an old appliance, first make the door latch or lock unusable.

This way you will prevent children from accidentally locking themselves in and endangering their lives.

▶ Be careful not to damage any part of the pipework whilst awaiting disposal, e.g. by

- puncturing the refrigerant channels in the evaporator.
- bending any pipework.
- scratching the surface coating.

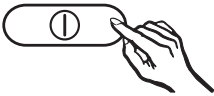
Splashes of refrigerant can damage the eyes.

The manufacturer cannot be held liable for damage caused by non-compliance with these Warning and Safety instructions.

Before using for the first time

- Clean the inside of the appliance and the accessories with warm water and a little washing up liquid, and then dry with a soft cloth.

Switching on



- Press the On/Off button so that the temperature displays light up.

The alarm will sound. The appliance starts to cool down, and the interior lighting will come on when the door is opened.

Switching off the alarm



- Press the alarm off button.

The alarm will stop. The temperature displays will continue to flash until the set temperatures have been reached.

Switching off

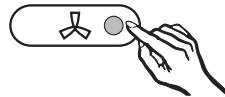
- Press the On/Off button until the temperature displays go dark.

The cooling system switches off. (If this does not happen, the safety lock is still activated).

Safety lock

The safety lock can be activated to prevent the appliance being switched off inadvertently.

Activating or de-activating the safety lock



- Press and hold the constant humidity button for approx. 5 seconds.

The constant humidity indicator light will flash, and a **C** will flash in the right hand temperature display.

- Press the constant humidity button again.


C will light up in the display.

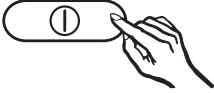


- You can now choose between **C 0** and **C 1** by pressing the left-hand temperature selector buttons:
 - 0**: the safety lock is de-activated,
 - 1**: the safety lock is activated.

Switching on and off

- Press the constant humidity button to save the setting.

The safety lock indicator light  will light up when the safety lock has been activated.



- Press the On/Off button to come out of setting mode. If you do not do this the electronics will switch over to normal operation automatically after a couple of minutes.

Switching off for longer periods of time

If the appliance is not going to be used for a longer period of time, e.g. whilst on holiday,

- switch the appliance off,
- disconnect it from the mains. Switch off at the wall and withdraw the plug from the socket, or disconnect the mains fuse,
- clean the appliance out and
- leave the door ajar to air the appliance.

If, during a long absence, the appliance is switched off but not cleaned out and the door is left shut there is a danger of mould and odours building up inside the appliance.

The correct temperature and humidity

Wine keeps on maturing depending on the surrounding conditions. The length of time for which wine can be kept in good condition will therefore depend on the temperature and air quality.

Temperature

Wine can be stored at a temperature between 5°C and 18°C. The optimum temperature is around 10-12°C. Most white wines can be consumed at this temperature. It is best to take red wine out of the wine conditioning unit about two hours before drinking. Open the wine to allow it to breathe and to develop its aroma. After two hours, red wine will be at the correct temperature for drinking.

If wine is stored at a temperature above 22°C it will mature too quickly. Wine should not be stored below 5°C for a long period of time as it will not mature fully at this low temperature.

Fluctuations in temperature put wine under stress and interrupt the maturing process. It is therefore very important to maintain a constant temperature.

Safety features

A thermostat prevents the temperature in the wine conditioning unit falling too low. Internal heating automatically switches on to keep the temperature inside as constant as possible.

Isolation shelf for thermal separation

The appliance has a fixed isolation shelf which divides the cabinet into two zones. The temperature for each zone can be set separately so that different wines (red and white) can be stored at their ideal temperature.

Setting the temperature

The temperatures are set using the two buttons under the temperature displays.

Press the



+ button: to increase the temperature

– button: to reduce the temperature

The temperature being set will flash in the display.

When pressing the buttons, the following information shows in the display:

- When first pressed, the **last temperature selected** flashes.
- Each subsequent press of the button adjusts the temperature shown in 1 °C steps.
- Keeping the button pressed in adjusts the temperature continually.

The correct temperature and humidity

Approx. 5 seconds after letting go of the button, the **current** temperature inside the applicable zone is automatically shown.

The two temperature zones are cooled alternately, which means that depending on the quantity of wine being stored, it can take several hours for the required temperature to be reached, and for the temperature display to adjust. If, after this time, the temperature is still too high or too low, you will need to adjust it again.

Temperature range

The temperature can be adjusted from 5°C to 20°C.

Temperature display

During normal operation, the temperature displays on the control panel show the temperatures inside the appliance.

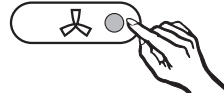
The **temperature display will flash** if

- a different temperature is being set,
- the temperature in one of the zones deviates by more than 5 °C from the set temperature.

Temperature display brightness

The appliance is supplied with the brightness of the temperature display set as low as possible.

You can adjust the brightness of the temperature display (both temperature displays will be adjusted together):



- Press and hold the constant humidity button in for approx. 5 seconds.

The constant humidity indicator light will flash, and a **h** will flash in the right hand temperature display.



- Press one of the left hand temperature selector buttons for the upper zone repeatedly until an **h** appears in the display.

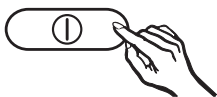
- Press the constant humidity button again.

h lights up in the display.

- You can now adjust the level of brightness by pressing the temperature selector buttons for the upper zone. You can choose from settings **1** to **5**:
1: lowest setting,
5: brightest setting.

The correct temperature and humidity

- Press the constant humidity button to save the setting.



- Press the On/Off button to come out of the setting mode. If you do not do this the electronics will switch over to normal operation automatically after a couple of minutes.

Humidity level

It is very important to store wine in an atmosphere with a high humidity level (60-70 %) so that the corks remain moist on the outside. A refrigerator with its low humidity level is therefore not the best place to store wine. At a low humidity level corks dry out from the outside, and so do not seal the bottles tightly. Wine should be stored lying down to keep the corks moist from the inside too. Air entering the bottle will inevitably spoil the wine.

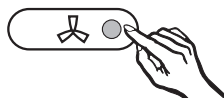
Useful tip: Before serving, stand the wine upright for at least two hours, or the entire day if possible, to allow any sediment to settle at the bottom of the bottle.


Constant humidity (Dynamic cooling) button

This setting enables the relative humidity inside the wine conditioning unit and the temperature to be distributed evenly around the interior so you can store all your wine under exactly the same excellent conditions.

Switching on

If you would like to use the wine conditioning unit to store wine long term, the constant humidity setting should be activated. This will create a continuous climate in the cabinet which imitates that of a wine cellar.



- Press the constant humidity button . The indicator light will come on.


Even if this setting has not been activated, the fan in the appliance will come on automatically when the cooling system switches on to ensure your wine is kept in the optimum climate.

The fan automatically switches off when the door is open.

The correct temperature and humidity

Switching off

Because the appliance uses more energy when this setting is switched on, it should not be left switched on all the time.

- To switch it off, press the constant humidity button . The indicator light will go out.

Air filtering with the active charcoal filter

The active charcoal filters maintain the air quality in the wine conditioning unit by filtering the incoming air to ensure that all air entering the appliance is fresh and free from dust and smells.

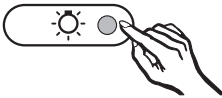
Replace the active charcoal filters with new ones once a year (see "Cleaning and care"). These are available from your dealer or the nearest Miele spare parts department.

There is lighting in both the upper and lower zones of the wine conditioning unit so that both zones can be lit up.

Do not remove the lamp covers. Should the covers be damaged or need to be removed due to damage, **exercise caution**. There are lasers in the lighting (laser beam class 1M) which you should avoid looking at directly. Do not use optical instruments (magnifying glass or similar) to look at the lighting either.

Switching on the interior lighting

Wine should generally be stored in the dark. However, the interior lighting can be switched on to enable you to see the



wine stored in the wine conditioning unit.

- Press the interior lighting button.

Both lights are switched on or off simultaneously.

Adjusting the brightness

The brightness of the interior lighting can be adjusted.

- Press and hold the interior lighting button.



- At the same time, press the right hand temperature selector buttons for the lower zone.

Press the

- + button : for the lighting to become brighter
- button: for the lighting to become dimmer

Storing wine bottles

Any vibration or movement of the bottle can affect the wine by interrupting the natural respiration process and so impair the taste.

As much as possible store bottles of the same type of wine beside each other on the same shelf. Removing a bottle of one type will then leave the other types undisturbed and will avoid the need to move different bottles around.

Capacity

Approx. 38 Bordeaux bottles (0.75 l)
15 in the upper zone
23 in the lower zone

Wooden shelves

The wooden shelves are on runners and can be pulled out to make it easier to store and remove bottles.

Descriptive labels

Use the labels supplied to identify your wine quickly and easily. Insert the labels into the metal holders at the front of the shelves from above.

Additional labels can be purchased from your Miele dealer or from the Spare Parts Department.

Your appliance is fitted with a warning system which ensures that the temperature cannot rise or fall unnoticed and impair the wine.

Temperature alarm

An alarm will sound if the temperature in one of the zones rises or falls outside the temperature range. The relevant temperature display will flash at the same time.

The temperature the appliance is set at determines the temperature the appliance recognises as being too warm or too cool.

The alarm will sound and the temperature display will flash:

- when you switch the appliance on, if the temperature inside the appliance is very different from the temperature set.
- when there has been a lengthy interruption to the power supply.

Door alarm

If the door has been left open for more than approx. 60 seconds the alarm will sound.

Activating the alarm system

The alarm system is always active. It does not have to be switched on manually.

Switching the alarm off early

Once the set temperature has been reached in the appliance, the alarm stops and the relevant temperature display lights up constantly. However, if the noise disturbs you, you can switch the alarm off before this if you wish.



- Press the alarm "off" button. The alarm will stop. The relevant temperature display continues to flash until the set temperature has been reached. The display then lights up constantly, and the alarm system is fully active again.

Defrosting

Condensate and frost can build up on the back wall of the appliance whilst it is in use. These are automatically defrosted and removed by the appliance.

The condensate is drained away via a channel and drain hole into an evaporation system at the back of the appliance.

Ensure that the condensate channel and drain hole are never blocked so that condensate can flow away without hindrance.

Make sure that water cannot get into the electronic unit or into the lighting.

Do not let water get into the drainage channel and drain hole when cleaning.

Do not use steam cleaning apparatus to clean the appliance. Steam could reach the electrical components and cause a short circuit.

The data plate located inside the appliance must not be removed. It contains information which is required in the event of a Service call.

To avoid damaging the surface of your appliance, do not use:

- cleaning agents containing soda, ammonia, acids or chlorides,
- cleaning agents containing descaling agents,
- abrasive cleaning agents, e.g. powder cleaners and cream cleaners,
- solvent-based cleaning agents,
- stainless steel cleaning agents,
- dishwasher cleaner,
- oven sprays,
- glass cleaning agents,
- hard, abrasive sponges and brushes, e.g. pot scourers,
- melamine eraser blocks,

- sharp metal scrapers.

Before cleaning

- Disconnect it from the mains.
- Take out any removable parts, e.g. shelves, for cleaning.

Cleaning the interior, the door and accessories

Use warm water with a little washing up liquid. Accessories and shelves should all be hand-washed only.

- Clean the condensate channel and drain hole frequently, so that condensate can drain away unhindered. Use a straw or similar to clear the drain if necessary.
- After cleaning, wipe the interior and accessories with a damp cloth and dry with a soft cloth. Leave the door open to air the appliance for a short while.
- Clean the appliance door with a proprietary glass cleaner.

E-Cloth

A microfibre "E-Cloth" is available from the Miele UK Spare Parts Department, which is suitable for cleaning surfaces such as stainless steel, glass, plastic and chrome without the use of chemicals.

Cleaning and care

Ventilation gaps

- The ventilation gaps should be cleaned regularly with a brush or vacuum cleaner. A build-up of dust will increase the energy consumption of the appliance.

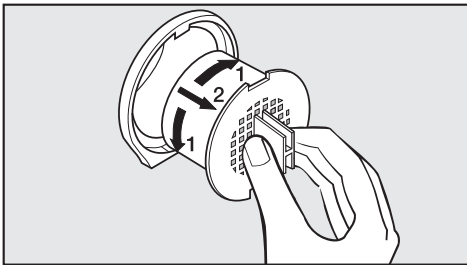
Door seal

Do not use any oils or grease on the door seal as these will cause the seal to deteriorate and become porous over time.

The door seal should be cleaned regularly with clean water and then wiped dry with a soft cloth.

Active charcoal filter

Replace the active charcoal filters with new ones once a year. These can be purchased from your Miele dealer or from the Spare Parts Department.



- Turn the filters 90° clockwise or anti-clockwise.
- Remove the filters.
- Insert the new filters with the handle in the vertical position.

- Turn the filters 90° clockwise or anti-clockwise until they click into position.

After cleaning

- Replace all shelves in the appliance.
- Reconnect to the mains and switch the appliance back on.

Repairs to electrical appliances should only be carried out by a suitably qualified and competent person in accordance with local and national safety regulations. Repairs and other work by unqualified persons could be dangerous. The manufacturer cannot be held liable for unauthorised work.

Ensure current is not supplied to the appliance until after maintenance or repair work has been carried out.

What to do if . . .

. . . the appliance does not get cool.

- Check whether the appliance has been switched on. The temperature display must be lit up.
- Check that the plug is correctly inserted into the socket and switched on.
- Check that the fuse is not defective and the mains fuse has not tripped. If it has there could be a fault with the household electrical wiring, the appliance or another electrical appliance. Contact a qualified electrician or Miele.

. . . the appliance is switching in too frequently and for too long.

- Check whether the ventilation gaps under the plinth are blocked or dusty.
- The appliance door is being opened frequently.
- Check that the door has been closed properly.

. . . the alarm sounds and the temperature display flashes.

- Has the appliance door been open for longer than 60 seconds?

If not, then the temperature has risen higher or fallen lower than the temperature that has been set. This could be due to:

- the appliance door being opened too often.
- the ventilation gaps in the plinth being covered.
- a lengthy interruption to the power supply.

Once the problem has been resolved the temperature display will light up constantly and the alarm will stop.

. . . a bar is lit up or flashing in the temperature display.

Only temperatures within the range the appliance can display will be shown. If the temperature is not within this range, a bar will be displayed instead.

. . . "F0" or "F1" appears in the temperature display.

There is a fault. Call the Service Department.

. . . you cannot switch the appliance off.

The safety lock has been activated.

Problem solving guide

. . . the interior light is not working.

- Call the Service Department.

The LED lighting may only be repaired or replaced by a service technician. There are live electrical components under the cover. Danger of injury and damage.

Do not remove the cover. If the cover is damaged or needs to be removed due to damage, **exercise caution**. There are lasers in the lighting (laser beam class 1M) which you should avoid looking at directly. Do not use optical instruments (magnifying glass or similar) to look at the lighting either.

If you still cannot remedy the fault having followed these suggestions, please contact the Miele Service Department.

To prevent unnecessary loss of temperature it is advisable not to open the door while waiting for the appliance to be serviced.

Normal noises	What causes them
Brrrrr...	Humming noise made by the motor (compressor). This noise can get louder for brief periods when the motor is switching on.
Blubb, blubb....	A gurgling noise can be heard when coolant is circulating through the pipes.
Click....	Clicking sounds are made when the thermostat switches the motor on and off.
Sssrrrrr....	On multi-zone and frost-free appliances you can sometimes just hear the movement of air circulating inside the appliance.
Creak ...	Creaking sounds can be heard when material inside the appliance expands.

Remember that the noise of the compressor and the coolant circulating in the system is unavoidable.

Noises that you can easily rectify	What causes them, and what can you do about them
Rattling, vibrating	The appliance is uneven: Realign the appliance using a spirit level, by raising or lowering the screw feet underneath the appliance.
	The appliance is touching another appliance or piece of furniture: Move it away.
	Drawers, baskets or shelves are unstable or sticking: Check all removable items and refit them correctly.
	Are any bottles or containers unstable or knocking against each other? Separate them.
	The transport cable clips are hanging loose at the back of the appliance: Remove the clips.

How to save energy

	Normal energy consumption	Increased energy consumption
Installation site	In a ventilated room.	In an enclosed, unventilated room.
	Protected from direct sunlight.	In direct sunlight.
	Not near to a heat source (radiator, oven).	Near to a heat source (radiator, oven).
	Where the ideal ambient room temperature is approx. 20°C.	Where there is a high ambient room temperature.
	Do not cover the ventilation gaps and dust them regularly.	
Temperature setting with a thermostat which is approximate (set in stages).	With a medium setting of 2 to 3.	With a high setting: the lower the temperature in the compartment, the higher the energy consumption.
Temperature setting with a thermostat which is exact to the degree (digital display).	Larder section 8 to 12 °C	On appliances with winter setting, please make sure that the winter setting is switched off when the ambient temperature is warmer than 16 °C .
	Refrigerator section 4 to 5 °C	
	PerfectFresh zone just above 0 °C	
	Freezer section -18 °C	
	Wine storage section 10 to 12 °C	
Use	Drawers, shelves and racks arranged as they were when the appliance was delivered.	
	Only open the door when necessary and for as short a time as possible.	Frequent opening of the door for long periods will cause a loss of coldness.
	Store food in an organised way.	Searching for an item will mean the door is open for longer.
	Allow hot food and drinks to cool down before placing them in the appliance.	Hot food will cause the compressor to run for a long time, as the appliance will have to work harder to reduce the temperature.
	Store food covered or packaged.	The evaporation or condensation of liquids will cause a loss of coldness in the refrigerator.
	Place frozen food in the refrigerator to defrost.	
	Do not over-fill the appliance to allow air to circulate.	
Defrosting	Defrost the freezer section when a layer of ice 0.5 cm thick (maximum) has built up.	A layer of ice hinders the cold from reaching the frozen food, and increases energy consumption.

In the event of a fault which you cannot correct yourself, or if the appliance is under guarantee, please contact:

– your Miele Dealer

or

– Miele
(see back cover for contact details).

When contacting your Dealer or Miele, please quote the model and serial number of your appliance. This information is given on the data plate inside your appliance.

Please note that telephone calls may be monitored and recorded for training purposes.

N.B. A call-out charge will be applied for service visits where the problem could have been resolved as described in these instructions.

Guarantee

For information on the appliance guarantee specific to your country please contact Miele. See back cover for contact details.

In the U.K. your appliance is guaranteed for 2 years from the date of purchase. However, you must activate your cover by calling 0845 365 6640 or registering online at www.miele.co.uk.

Electrical connection IRL, U.K., ZA

All electrical work should be carried out by a suitably qualified and competent person in strict accordance with current local and national safety regulations (BS 7671 in the UK).

The appliance is supplied with a mains cable and moulded plug ready for connection to an a.c. single phase 220-240 V 50 Hz supply.

Please ensure that the connection data quoted on the data plate match the household mains supply.

Connection should be made via a suitable switched socket which is easily accessible. For extra safety it is advisable to protect the appliance with a suitable residual current device (RCD).

Do not connect the appliance to the mains electricity supply by an extension lead. Extension leads do not guarantee the required safety of the appliance (e.g. danger of overheating).

This appliance must not be connected to the inverter of an autonomous power supply, e.g. a solar power system. When switching the appliance on, a surge in power could trigger the safety cut-out mechanism. This could damage the electronic unit.

The appliance must not be used with so-called energy saving devices. These reduce the energy supply to the appliance which could then become too warm. Using such devices could alter the specification of the product.

Non-rewireable plugs (BS 1363)

The fuse cover must be re-fitted when changing the fuse, and if the fuse cover is lost, the plug must not be used until a suitable replacement is obtained. The colour of the correct replacement cover is that of the coloured insert in the base of the plug, or the colour that is embossed in words in the base of the plug (as applicable to the design of the plug fitted).

Replacement fuses should be ASTA approved to BS 1362 and have the correct rating. Replacement fuses and fuse covers may be purchased from your local electrical supplier.

WARNING
THIS APPLIANCE MUST BE
EARTHED

All electrical work should be carried out by a suitably qualified and competent person in accordance with local and national safety regulations.

The appliance is supplied with a mains cable and moulded plug ready for connection to 220-240 V 50 Hz supply.

The voltage and frequency are given on the data plate. Please ensure that these match the household mains supply.

Connection should be made via a suitable switched socket which is easily accessible. For extra safety it is advisable to install a residual current device (RCD) with a trip current of 30 mA.

Do not connect the appliance to the mains electricity supply by an extension lead. Extension leads do not guarantee the required safety of the appliance (e.g. danger of overheating).

The appliance must not be connected to an inverter and must not be used with a plug adapter as these can cause damage to the appliance's electronic unit.

WARNING
THIS APPLIANCE MUST BE
EARTHED

Installation

Location

The appliance should be installed in a dry, well-ventilated room. The room temperature should not go above or below the climate range for which the appliance is designed. The higher the ambient temperature of the room, the more energy the appliance requires to operate. It should not be installed where it is exposed to direct sunlight or directly adjacent to a heat-producing appliance such as an oven or a radiator.

Important: tropical / humid environments

During periods of high humidity, some condensation may appear on outside surfaces of cooling appliances. This condensation will disappear when humidity levels drop. For prevention, it is advisable to install the appliance with sufficient ventilation in a dry and/or an air-conditioned room. Please ensure that doors are closing and sealing properly. Please ensure that the appliance is installed in accordance with these installation instructions and that the handle is fitted correctly. Should you require further assistance please contact your Miele customer service centre.

Climate range

The appliance is designed for use within certain climate ranges (ambient temperatures), and should not be used outside this range. The climate range of the appliance is stated on the data plate inside the appliance.

Climate range	Ambient room temperature
SN	+10°C to +32°C
N	+16°C to +32°C
ST	+16°C to +38°C
T	+16°C to +43°C
SN-ST	+10°C to +38 °C
SN-T	+10°C to +43 °C

Operating in a room which is too cold will cause the cooling system to switch off for too long causing the internal temperature in the appliance to rise with the risk of impairing the wine stored there.

Warning!

If installed at altitudes above 1500 m, there is a risk of the glazing in the door shattering. Shards of glass are very sharp and can cause severe injury if not handled with care.

Ventilation

Air at the back of the appliance gets warm. The appliance housing unit must be constructed to allow sufficient space for ventilation. Miele kitchen units are designed to provide this ventilation.

The air inlet and outlet must not be covered or blocked in any way. They should be dusted on a regular basis.

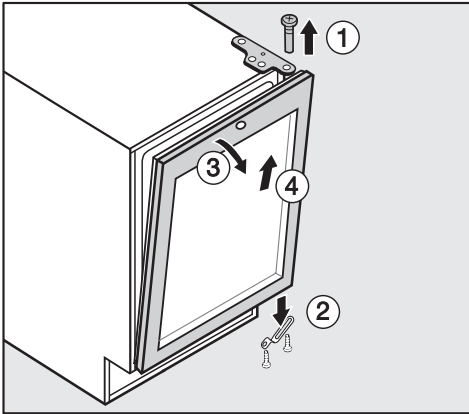
Before installation

- Before building in, remove all accessories from the appliance.
- Remove any cable clips from the rear of the appliance.
- Check that all parts at the back of the appliance are unhindered. Carefully remove any hindrances.

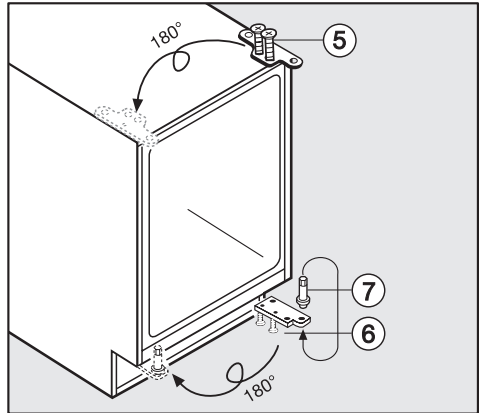
This appliance must be built in, otherwise it could tip up.

Changing the door hinging

The appliance is supplied right hand hinged. If left hand door hinging is required, follow the instructions below.

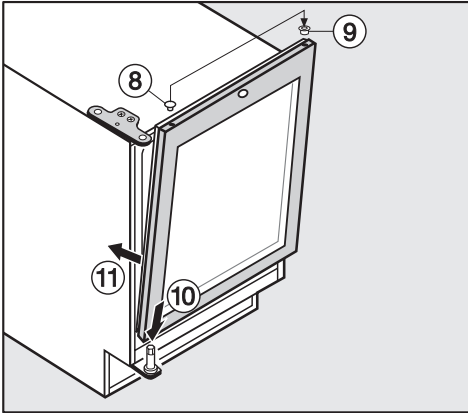


- Close the door, and unscrew the top hinge pin from the door ①.
- Unscrew the door stay ② from underneath the door.
- Tip the door forward slightly ③, and lift it up and off ④.

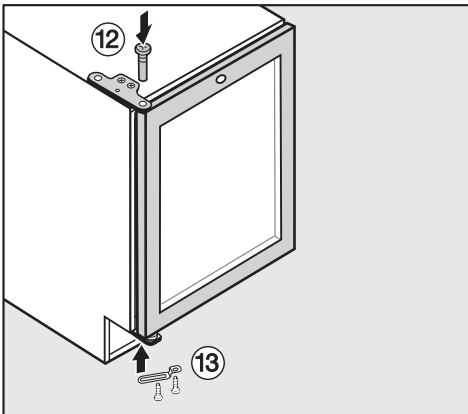


- Unscrew the top hinge plate ⑤, turn it around and refit it on the opposite side.
- Unscrew the lower hinge plate ⑥.
- Remove the hinge pin ⑦, and replace it in the hinge plate from underneath. Ensure that the spacer which the hinge pin sits on is correctly positioned.
- Turn the hinge plate round, and refit it on the opposite side.

Changing the door hinging

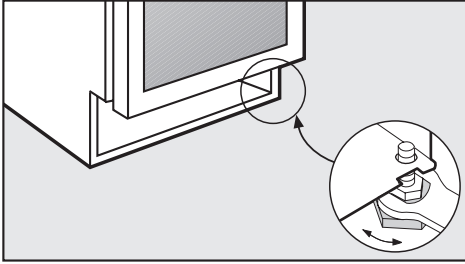


- Swap over the plug ⑧ and the hinge pin guide ⑨ in the top of the door.
- Hang the door on the lower hinge pin ⑩, and close the door ⑪.



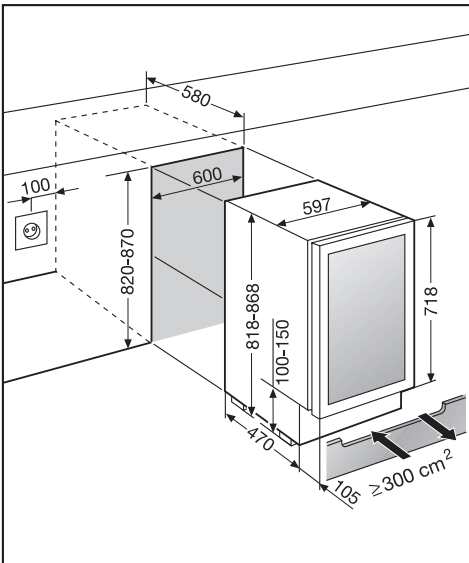
- Refit the top hinge pin ⑫ through the hinge pin plate into the door.
- Refit the door stay ⑬ underneath the appliance by securing one screw into the appliance door and another through the plastic part of the hinge pin plate.

Installation



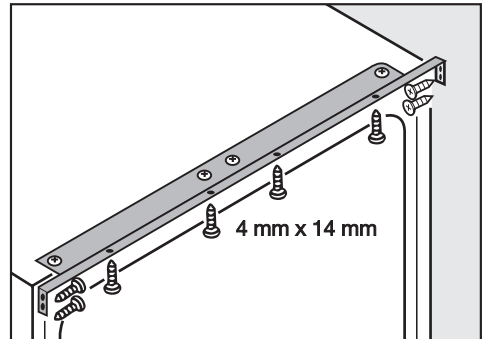
- Align the appliance to the height of the niche by altering the adjustable feet using the spanner supplied.

Make sure that the ventilation gap in the plinth is at least 300 cm^2 to ensure that air can be drawn through without hindrance. Otherwise the compressor will switch in too frequently and for longer, resulting in an increase in electricity consumption and an increased operating temperature which can lead to damage to the appliance.



- Push the appliance into the niche. When doing this, make sure that the mains cable does not get trapped.

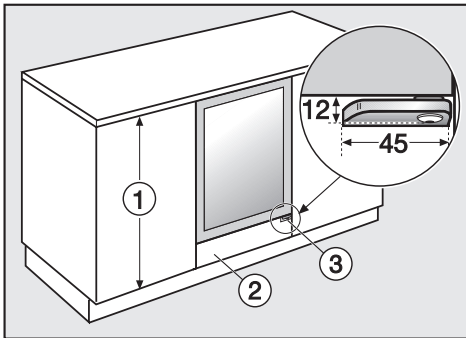
Securing the appliance



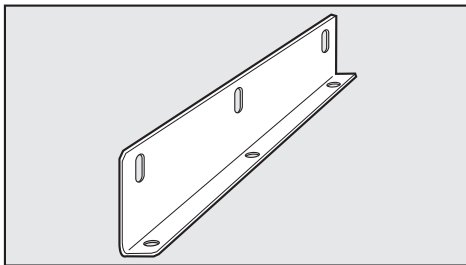
- Secure the appliance in its niche by tightening the screws through the fixing strip.

Make sure that the socket and on-off switch are easily accessible after the appliance has been pushed underneath the worktop.

Aligning the appliance to taller unit doors

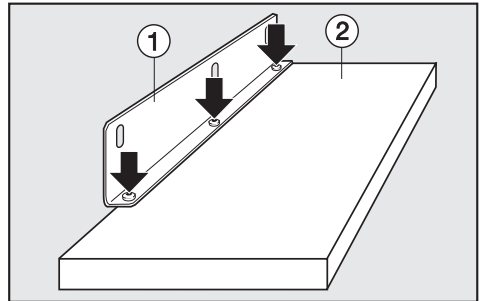


If adjacent furniture housing doors ① are taller than the wine conditioning unit door, the wine conditioning unit can be aligned to the unit doors using a filler panel ②.

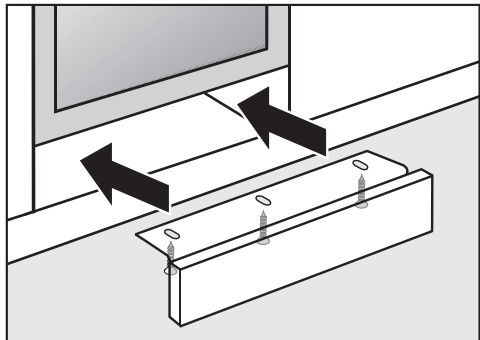


A bracket is required to secure the filler panel, which is available from the Miele Spare Parts Department or from your dealer.

The filler panel must be made to measure. When cutting the filler panel to size please take the door hinge ③ into account which measures 12 x 45 mm.



- If the door is **right hand hinged**, the bracket ① should be fixed **right aligned** to the back of the filler panel ②; if the door is left hand hinged, then the bracket should be fixed left aligned.
- Pull the appliance as far as you need to out of the niche so that you can tilt it towards you.



- Hand-screw the bracket and the filler panel to the appliance.
- Align the filler panel to the door of the wine conditioning unit over the long slots to give a flush finish.
- Now tighten the screws.
- Push the appliance into the niche.

United Kingdom

Miele Co. Ltd.
Fairacres, Marcham Road
Abingdon, Oxon, OX14 1TW
Tel: 0845 365 0555
Fax: 0845 365 0777
Customer Contact Centre Tel: 0845 365 6600
E-mail: info@miele.co.uk
Internet: www.miele.co.uk

Australia

Miele Australia Pty. Ltd.
ABN 96 005 635 398
1 Gilbert Park Drive, Knoxfield, VIC 3180
Tel: 1300 464 353, Fax: (03) 9764 7149
Internet: www.miele.com.au

China

Miele (Shanghai) Trading Ltd.
1-3 Floor, No. 82 Shi Men Yi Road
Jing' an District
200040 Shanghai, PRC
Tel: +86 21 6157 3500
Fax: +86 21 6157 3511
E-mail: mieleshanghai@cn.miele.com
Internet: www.miele.cn

Miele (Hong Kong) Limited

41/F - 4101, Manhattan Place
23 Wang Tai Road
Kowloon Bay
Hong Kong
Tel: (852) 2610 1331
Fax: (852) 2610 1013
Email: mielehk@miele.com.hk

India

Miele India Pvt. Ltd.
Ground Floor, Copia Corporate Suites
Plot No. 9, Jasola
New Delhi - 110025
Tel: 011-46 900 000, Fax: 011-46 900 001
E-mail: customercare@miele.in
Internet: www.miele.in

Manufacturer: Germany - Miele & Cie. KG
Carl-Miele-Straße 29, 33332 Gütersloh

Miele

Ireland

Miele Ireland Ltd.
2024 Bianconi Avenue
Citywest Business Campus, Dublin 24
Tel: (01) 461 07 10, Fax: (01) 461 07 97
E-Mail: info@miele.ie, Internet: www.miele.ie

New Zealand

Miele New Zealand Limited
Unit L, 10-20 Sylvia Park Road
Mt. Wellington, 1060, Auckland, NZ
Tel: 0800 264 353, Fax: 0800 463 453
Internet: www.miele.co.nz

Singapore

Miele Southeast Asia
Miele Pte. Ltd.
163 Penang Road
04 - 02/03 Winsland House II
Singapore 238463
Tel: +65 6735 1191, Fax: +65 6735 1161
E-Mail: infosea@miele.com.sg
Internet: www.miele.sg

South Africa

Miele (Pty) Ltd
63 Peter Place, Bryanston 2194
P.O. Box 69434, Bryanston 2021
Tel: +27 (0) 11 548-1900
Fax: +27 (0) 11 548-1935
E-mail: info@miele.co.za
Internet: www.miele.co.za

United Arab Emirates

Miele Appliances Ltd.
P.O. Box 11 47 82
Gold & Diamond Park
Sheikh Zayed Road
Building 6 / Offices Nos. 6-214 to 6-220
Dubai
Tel: +971-4-341 84 44
Fax: +971-4-341 88 52
E-Mail: info@miele.ae
Internet: www.miele.ae

Free Manuals Download Website

<http://myh66.com>

<http://usermanuals.us>

<http://www.somanuals.com>

<http://www.4manuals.cc>

<http://www.manual-lib.com>

<http://www.404manual.com>

<http://www.luxmanual.com>

<http://aubethermostatmanual.com>

Golf course search by state

<http://golfingnear.com>

Email search by domain

<http://emailbydomain.com>

Auto manuals search

<http://auto.somanuals.com>

TV manuals search

<http://tv.somanuals.com>