

## Operating instructions for Washing machine W 360 WPS

It is **essential** to read these operating instructions before installing or using the machine, to avoid the risk of accident, or damage to the machine.



M.-Nr. 05 400 210

# Caring for our environment

---

## **Disposal of the packing material**

The transport and protective packing has been selected from materials which are environmentally friendly for disposal and can normally be recycled.

Ensure that any plastic wrappings, bags etc. are disposed of safely and kept out of the reach of babies and young children. Danger of suffocation!

Rather than just throwing these materials away, please ensure they are offered for recycling.

## **Disposal of your old appliance**

Old appliances contain materials which can be recycled. Please contact your dealer, your local waste collection centre or scrap merchant about potential recycling schemes.

Ensure that the appliance presents no danger to children while being stored for disposal. See the appropriate advice in the "Warning and safety instructions".

## **Caring for our environment**


Disposal of the packing material . . . . .	2
Disposal of your old appliance . . . . .	2

## **Warning and safety instructions . . . . . 6**

## **Installation and connection**

Front view . . . . .	51
Rear view . . . . .	52
Installation surface . . . . .	53
Installing the washing machine . . . . .	53
Removing the transit fittings. . . . .	53
Re-fitting the transit bars . . . . .	55
Levelling the machine . . . . .	56
Screwing out and adjusting the feet . . . . .	56
Building under a continuous worktop / in a kitchen run . . . . .	57
Washer and Dryer stack . . . . .	57
Connection to the water supply . . . . .	58
Connection to the drainage system . . . . .	61
Electrical connection U.K. . . . .	62

## **Description of the appliance**

Special programmes . . . . .	9
Delicates and Silks  programmes . . . . .	9
Water plus system. . . . .	9
Delay start h/mins . . . . .	10
Time remaining display . . . . .	10
Locking functions (programme locking, system lock) . . . . .	10
Future updates (PC) . . . . .	10
Control panel . . . . .	11
Important control panel features . . . . .	13
Programme selector . . . . .	13
Additional option buttons . . . . .	13
“Spin” button with indicator lights . . . . .	13

## **Before using for the first time . . . . . 14**

# Contents

---

<b>Washing environmentally and economically</b> . . . . .	15
---	----

## **How to wash correctly**

Before washing . . . . .	16
Programme chart . . . . .	17
Selecting a programme . . . . .	20
Additional options . . . . .	21
Delay start . . . . .	23
At the end of a programme . . . . .	24
Brief instructions. . . . .	24
Adding or removing laundry after a programme has started . . . . .	25
Interrupting a programme . . . . .	26
Skipping a programme stage . . . . .	26
Selecting a different programme . . . . .	26
Programme sequence . . . . .	27

## **Detergent**

Water softeners . . . . .	29
Washing with several components . . . . .	29
Fabric conditioners and liquid starch . . . . .	30
Automatic dispensing of fabric conditioners or liquid starch to laundry at the end of a programme . . . . .	30
Adding fabric conditioner or liquid starch separately. . . . .	30
Dye removers / dyes . . . . .	30

## **Locking functions**

Electronic programme locking . . . . .	31
Electronic system lock . . . . .	32

## **Programmable functions**

Water plus system ( <i>P2</i> ) . . . . .	33
Gentle action ( <i>P9</i> ) . . . . .	35
Top-up rinse for COTTONS ( <i>P10</i> ) . . . . .	36
Memory Function ( <i>P11</i> ) . . . . .	37

## **Cleaning and care**

Extra cleaning . . . . .	38
Cleaning the detergent dispenser drawer . . . . .	39
Cleaning the fluff (drain) filter and pump . . . . .	40
Cleaning the filter in the water inlet . . . . .	42

## **Problem solving guide**

– The programme does not start. . . . .	43
– The wash programme stops and a fault indicator light comes on. . . . .	44
– A fault indicator light comes on but the wash programme continues as normal. . . . .	45
– General problems or an unsatisfactory wash result . . . . .	46
Opening the drum door in the event of a power failure . . . . .	49
Customer contact. . . . .	50

<b>Consumption data</b> . . . . .	64
-----------------------------------	----

<b>Technical data</b> . . . . .	65
---------------------------------	----

# Warning and safety instructions

---

Read the operating instructions before using this machine for the first time. They contain important information about the safety, use and maintenance of the machine. This way you will avoid the risk of accidents and damage to the machine. Keep these operating instructions in a safe place and ensure that new users are familiar with the content. Pass them on to any future owner of the machine.

## Correct usage

Only use the washing machine to wash items which are specified by the manufacturer to be machine-washable on the wash-care label, and textiles composed of hand-washable wool or wool blend fabrics as well as satin, lace, silk and other hand-washable garments.

Any other applications may be dangerous. The manufacturer is not liable for damage resulting from improper use or operation.

This appliance should not be operated by children. Supervise its use by the elderly or infirm.

## Technical safety

Before setting up the machine, check it for any externally visible damage. Do not install and use a damaged machine.

Before connecting the machine, ensure that the connection data on the data plate (fusing, voltage and frequency) match the mains electricity

supply. If in any doubt, consult a qualified electrician.

The electrical safety of this appliance can only be guaranteed when continuity is complete between the machine and an effective earthing system which complies with local and national regulations. It is most important that this basic safety requirement is regularly tested by a qualified electrician.

The manufacturer cannot be held responsible for the consequences of an inadequate earthing system (e.g. electric shock).

Do not connect the appliance to the mains electricity supply by an extension lead. Extension leads do not guarantee the required safety of the appliance (e.g. danger of overheating).

The machine is built in accordance with current safety requirements. Unauthorised repairs could result in unforeseen dangers for the user, for which the manufacturer cannot accept responsibility. Repairs should only be undertaken by a Miele approved engineer.

Ensure current is not supplied to the appliance while maintenance or repair work is being carried out.

The machine is only completely isolated from the electricity supply when:

- it is switched off at the wall socket and the plug is withdrawn, or
- it is switched off at the mains, or
- the mains fuse is withdrawn.

# Warning and safety instructions

---

■ The Miele "Waterproof system" protects from water damage provided the following conditions have been met:

- the machine is correctly plumbed in and connected to the electricity supply.
- if a fault has been identified, the machine must be examined by a competent person before further use, and repaired if necessary.

■ Faulty components must only be replaced by genuine Miele original spare parts. Only when these parts are fitted can the safety standards of the machine be guaranteed.

■ In countries where there are areas which may be subject to infestation by cockroaches or other vermin, pay particular attention to keeping the appliance and its surroundings in a clean condition at all times. Any damage which may be caused by cockroaches or other vermin will not be covered by the appliance guarantee.

## Use

■ Do not install your washing machine in rooms where temperatures below freezing may occur. Frozen hoses may burst under pressure. The reliability of the electronic control unit may be impaired at temperatures below freezing point.

■ Before using the machine for the first time, check that the transit fitting at the rear of the machine has been removed (see section on "Installation"). During spinning, a transit fitting which is still in place may result in damage to both the machine and adjacent furniture or appliances.

■ Turn off the stopcock if the machine is to be left for any length of time (e.g. holiday), especially if there is no floor drain (gully) in the immediate vicinity.

■ **Flooding danger**  
If hooking the drain hose into a wash basin, check that the water can drain off quickly enough to prevent the sink from overflowing. Make sure the drain hose is secure, so that the force of the water flowing out of the hose does not dislodge it. Otherwise this will result in flooding.

■ Take care to ensure that foreign objects (e.g. nails, pins, coins, paper clips) do not find their way into the machine with the washing. These may damage components of the machine (e.g. suds container, drum), which in turn can result in damage to the washing.

# Warning and safety instructions

---

■ If the correct amount of detergent is dispensed, the machine should not need to be descaled. If, however, you do wish to descale the machine only use proprietary non-corrosive descaling agents and strictly observe the instructions on the packaging.

■ Textiles which have been pre-treated in solvent based cleaning agents must be thoroughly rinsed in clean water before being washed in the machine.

■ Never use solvent based cleaning agents in this machine, as this may result in damage to component parts and create toxic fumes. Such detergents also pose a fire and explosion hazard.

■ Only use dyes specified by the manufacturer as being suitable for use in a washing machine. Always observe the manufacturer's instructions carefully.

■ Dye removers may contain sulphur compounds which cause damage such as corrosion. Do not use dye removers in this machine.

■ For machines with a 'porthole' door, remember that the porthole glass will be hot when washing at very high temperatures. Do not let children touch it.

■ Always make sure the drum is stationary before reaching in to remove washing. Reaching into a moving drum is extremely dangerous.

## Accessories


■ Accessory parts may only be fitted when expressly approved by Miele. If other parts are used, guarantee, performance and product liability claims may be invalidated.


## Disposal of your old machine


■ Before discarding an old machine unplug it. Render the plug useless. Cut off the cable directly behind the appliance to prevent misuse.




## Special programmes

- Programme for hand-washable fabrics (Silks )

Hand-washable fabrics which crease easily but do not contain wool can be washed in the Silks  programme.

- Programme for hand-washable fabrics (WOOLLENS )

Hand-washable or machine-washable wool or wool blend fabrics can be washed in the WOOLLENS  programme.

- Programme for small loads (Quick wash)

This is a Cottons programme for very lightly soiled fabrics.

- Programme for mixed fabrics (Mixed wash)

Suitable for small loads of garments made from man-made fibres and cotton garments which can be washed together. Sort according to colour.

- Rinse programme (Separate rinse)

Articles are only rinsed and spun in the machine.

## Delicates and Silks programmes

In these programmes the laundry is washed and spun very gently to reduce creasing and the amount of ironing required, thus providing "Easy care" for your laundry.

## Water plus system

The water level for washing and rinsing is increased. For COTTONS programmes an additional rinse can also be selected.

# Description of the appliance

---

## Delay start h/mins

Delay start allows you to delay the start of a programme from 30 minutes up to a maximum of 24 hours.

## Time remaining display

After the start of a programme, the duration of the programme selected will be shown in the display counting down in hours and minutes and finally in minutes.

## Locking functions (programme locking, system lock)

### Electronic programme locking

Electronic programme locking prevents the door from being opened or the programme cancelled during a wash programme. The electronic programme locking is automatically cancelled at the end of the programme.

### Electronic system lock

The system lock prevents anyone from using the washing machine without your knowledge. When the system lock is activated :

- the door cannot be opened with the door button
- a programme cannot be started.

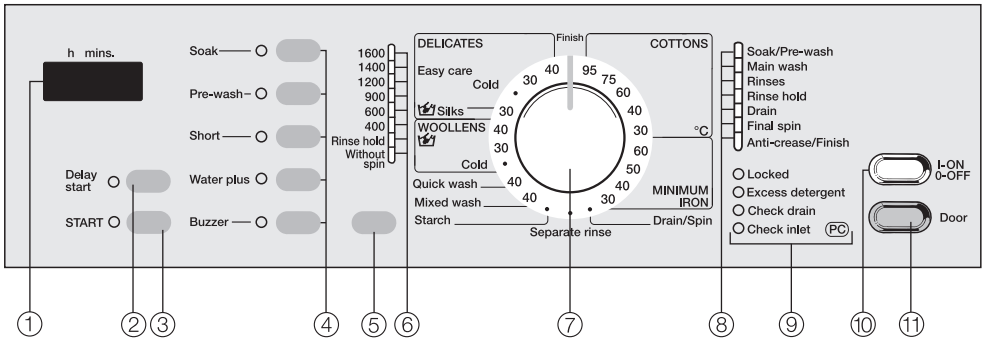
## Future updates (PC)

The indicator or check light marked PC allows a service engineer to update your machine in future years.

When, for example, new programmes are developed or new fabrics are introduced, a service engineer will be able to modify existing programme cycles accordingly.

Miele will provide information when such possibilities become available.

## Control panel



- ① **Display**  
see following pages for more information
- ② **Delay start button**  
for delaying the start of a programme
- ③ **START button**  
starts the wash programme
- ④ **Additional option buttons**  
Indicator light on = option selected  
Indicator light off = option not selected
- ⑤ **Spin button**  
for selecting the final spin speed,  
Rinse hold or Without spin
- ⑥ **Indicator lights**  
for spin speeds, Rinse hold or Without spin
- ⑦ **Programme selector**  
for selecting the wash programme and temperature for that programme. The programme selector can be turned clockwise or anti-clockwise.
- ⑧ **Programme sequence indicator lights**  
show which section of the wash programme has been reached.
- ⑨ **Check lights**
- ⑩ **I-ON / 0-OFF button**  
for switching the machine on or off or interrupting a programme
- ⑪ **Door button**  
opens the machine door

# Description of the appliance

---

## Display

The following functions are shown in the display:

- duration (Time remaining display)
- delay start
- programmable functions

## Duration of the programme

If a programme without delay start has been selected, the maximum duration (wash time) of the programme in hours and minutes will appear in the display after the start of the programme.

In the:

- COTTONS
- MINIMUM IRON
- Mixed wash

programmes, the washing machine measures the amount of water being taken up by the laundry and uses this to calculate the load during the first 10 minutes. If the machine recognises a smaller load it will shorten the programme time by up to 60 minutes. The shortened time is achieved by, for example, reducing the number of rinses.

## Soak

If a soak time has been selected, this is added to the programme wash time in the display to give a total running time.

## Delay start

The delay start time selected will appear in the display.

After the machine has started, the delay start time counts down. If the delay start is over 10 hours, it will count down by the hour. If it is less than 9 hours and 59 minutes it will count down minute by minute.

Once the delay start period is completed the programme begins and the actual programme duration shows in the display.

## Programmable functions

The programmable functions can be used to tailor washing programmes to suit your individual requirements. The function selected is displayed in programming mode.

## Important control panel features

### Programme selector

The programme selector is used to set the basic wash programme and the temperature for that programme. The light ring will go out a few minutes after the end of the programme to save energy.

### Additional option buttons

Additional options can be added to the basic programme.

Pressing the relevant button selects or de-selects the particular option. The indicator light comes on to show that the additional option has been selected.

If an additional option is chosen which is incompatible with the basic programme then the indicator light will go out when the button is released.

### “Spin” button with indicator lights

The maximum spin speed which can be selected depends on the basic programme chosen.

Maximum spin speed	Basic programme
1600	COTTONS, Quick wash, Starch, Drain/spin
1200	WOOLLENS, Separate rinse
900	MINIMUM IRON, Mixed wash
600	DELICATES
400	Silks

Press the “Spin” button to select a different spin speed. However, you cannot select a spin speed higher than the maximum allowed for the basic wash programme chosen.

The indicator lights show the speed selected.

You can also select *Without spin* to omit interim spins and the final spin.

■ Press the “Spin” button to reach:

– Rinse hold

The laundry is not spun and remains suspended in the final rinse water. This reduces creasing if the laundry is not going to be removed from the drum immediately after the end of the programme.

To continue the programme:

■ Select a spin speed.

To finish the programme:

■ Press the *Door* button.

– Without spin

Laundry is not spun. Water is drained away after the final rinse and the machine goes straight into the anti-crease stage.

## Before using for the first time

---

Before using the machine for the first time ensure that it is correctly installed and connected. See the relevant section under "Installation". Also check that the fluff filter is securely tightened. Otherwise there is a risk of water leakage during use.

For safety reasons spinning is not possible until the machine has been prepared for using for the first time. To activate the spinning function you must run a wash programme without any laundry.

This also activates the ball valve. The ball valve prevents detergent escaping from the suds container into the sump during a wash programme, thus making maximum use of the detergent.

The wash programme must be run without detergent. Using detergent could result in an excessive build-up of foam.

- Turn on the stopcock.
- Press the I-ON/O-OFF button in.
- Turn the programme selector to COTTONS 40°C.
- Press START.

When this programme has finished your washing machine is ready for using for the first time.

# Washing environmentally and economically

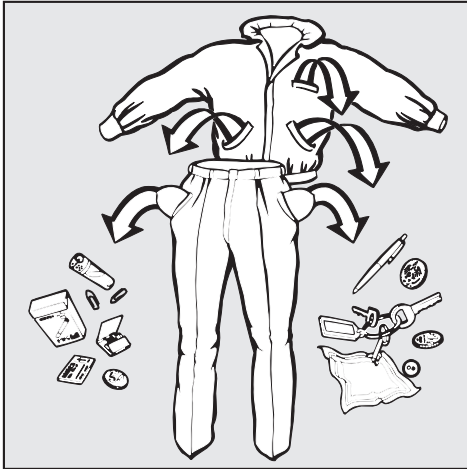
---

- Water consumption and energy usage are determined by the size of the load. Load to the maximum recommended for the programme selected.
- To save energy wash normally and lightly soiled laundry at lower temperatures. The 95°C Cottons programme is probably only needed in exceptional circumstances, e.g. for oil based stains or where a very hot wash is required.
- Use the *Mixed wash* or the *Quick wash* programme for smaller amounts of laundry.
- A main wash (programme without pre-wash) is sufficient for cleaning normally soiled laundry.
- By using the additional option *Soak* for heavily soiled laundry you can select a lower temperature in the main wash.
- Use the additional option *Soak* instead of *Pre-wash* with heavily soiled laundry.  
If *Soak* is followed immediately by a main wash the same suds are used.
- Use the *Short* wash option for normally or very lightly soiled laundry.
- Do not exceed the amounts of detergent which may be recommended by the manufacturer on the packaging.
- Reduce the amounts of detergent with smaller loads, (e.g. with a half load, approx. one third less detergent).
- Select the highest suitable spin speed in the wash programme when tumble drying afterwards.
- Load recognition and automatic rinsing can cause the duration of a programme to vary greatly. The main wash may be shortened and a rinse cycle omitted depending on the amount of laundry.

# How to wash correctly

## Before washing

### 1 Sort the laundry



- Empty all pockets.

Foreign objects (e.g. nails, coins, paper clips, etc.) can cause damage to garments and components in the machine.

- Badly soiled areas, e.g. collars and cuffs, and water soluble stains can be pre-treated with bar soap, liquid detergent or detergent mixed into a solution or paste.

With particularly stubborn stains ask your dry cleaner for advice.

Do not use solvent-based cleaning agents in this machine.

- Sort the laundry by colour and by care label symbol. Most garments have a textile care label in the collar or side seam. See the following pages for information on which programmes to use for different fabric types.

Dark textiles often contain excess dye and should be washed separately several times before being included in a mixed load.

Delicate textiles should be washed separately in a delicates programme (use a washing bag where appropriate).

- Curtains:  
Remove lead weights and strips or place in a laundry bag.
- Underwiring and collar stiffeners:  
Any loose wiring in bras, shirt collar stiffeners, etc. should be removed or sewn in.
- Knitted garments, trousers and jeans, T-shirts and sweat shirts:  
Turn inside out, if recommended by the manufacturer.





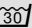




Close any zips, fasten hooks and eyes etc before washing.

Do not wash any items in this machine which are specified by the manufacturer as **non-machine washable** on the care label. (☒ symbol)







# How to wash correctly

## Programme chart

<b>COTTONS</b>     	
Fabric	Cottons and linen fabrics, e.g. bed linen, table linen, towelling, jeans, underwear, T-shirts, nappies.
Additional options	Soak, Pre-wash, Short, Water plus
Notes	<ul style="list-style-type: none"> <li>– Only use the COTTONS 95°C programme for heavily soiled and incontinent laundry.</li> <li>– For heavily soiled laundry select the <i>Soak</i> or <i>Pre-wash</i> additional options.</li> <li>– For lightly soiled laundry select the <i>Short</i> additional option.</li> <li>– For dark coloured fabrics use a detergent for coloured fabrics.</li> </ul>
Detergent	Powder detergent, detergent for coloured fabrics, liquid detergent.
max. load	5 kg
Note for test institutes: Programme setting for testing according to EN 60456 standard: <u>Cottons 60°C</u>	
<b>MINIMUM IRON</b>    	
Fabric	White nylon (60°C), white polyester fabrics (50°C), coloured nylon, polyester, cotton and viscose fabrics with special finishes, acrylic, cotton fabrics coloured polyester / cotton fabrics, (40°/30°C) minimum iron fabrics not washable at higher temperatures.
Additional options	Soak, Pre-wash, Short, Water plus
Notes	<ul style="list-style-type: none"> <li>– For lightly soiled laundry select the <i>Short</i> additional option.</li> <li>– For heavily soiled laundry select the <i>Soak</i> or <i>Pre-wash</i> additional options.</li> </ul>
Detergent	Powder detergent, detergent for coloured fabrics, liquid detergent, detergent for delicates.
max. load	2.5 kg

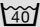


See "Detergent" section for more information on detergents.

# How to wash correctly

<b>DELICATES</b>  	
Fabric	Acrylics, acetate and triacetate, 100% cotton easy care shirts and blouses. Curtains, specified machine-washable by the manufacturer.
Additional options	Soak, Pre-wash, Short.
Notes	<ul style="list-style-type: none"> <li>– Laundry remains relatively crease-free for easier ironing.</li> <li>– Dust in curtains usually makes using a programme with <i>Pre-wash</i> advisable.</li> <li>– For curtains made from delicate fabrics reduce the spin speed or select Without spin.</li> </ul>
Detergent	Liquid detergent for delicates.
max. load	1 kg
<b>Silks</b> 	
Fabric	Hand-washable fabrics with no wool content, e.g. satin, lace and silk.
Additional option	Soak, Pre-wash, Short, Water plus
Notes	<ul style="list-style-type: none"> <li>– Laundry remains relatively crease-free for easier ironing.</li> <li>– Place socks, tights, bras etc.- in a washing bag.</li> </ul>
Detergent	Use liquid detergent for machine washable woollens and delicates. Do not use biological detergent on silk as the enzymes may damage the silk.
max. load	1 kg – do not overload
<b>WOOLLENS</b> 	
Fabric	Machine-washable or hand-washable wool or wool blend fabrics. Please note hand-washable garments will not shrink, stretch, matt or felt beyond the accepted tolerance of the item.
Detergent	Liquid detergent for machine washable woollens
max. load	2 kg – do not overload

See “Detergent” section for more information on detergents.

# How to wash correctly

<b>Quick wash</b> 	
Fabric	Very lightly soiled fabrics, which can be washed in the Cottons programme.
Additional option	Water plus.
Notes	– Add less detergent (half load).
Detergent	Powder detergent, detergent for coloured fabrics, liquid detergent.
max. load	2.5 kg
<b>Mixed wash</b>  	
Fabric	Small loads of garments made from man-made fibres and cotton garments which can be washed together. Sort according to colour.
Additional options	Soak, Pre-wash, Short, Water plus.
Detergent	Powder detergent, detergent for coloured fabrics, liquid detergent.
max. load	3 kg
<b>Starch</b>	
Fabric	Table cloths, napkins, overalls, uniforms.
Notes	– The laundry should be washed but not treated with fabric conditioner. Use liquid starch.
max. load	5 kg
<b>Separate rinse</b>	
Fabric	Articles which have been washed by hand and only need to be rinsed and spun in the machine.
max. load	5 kg
<b>Drain/Final spin</b>	
Notes	– To drain only: select <i>Without spin</i> .
max. load	5 kg

See "Detergent" section for more information on detergents.

# How to wash correctly

## Selecting a programme

### 2 Switch on the washing machine

- Press in the I-ON/O-OFF button.

### 3 Open the drum door

- Press the *Door* button and open the drum door.

### 4 Load the drum

- Unfold the laundry and load loosely in the drum. To achieve best results it is advisable to make up mixed loads consisting of both large and small items. This improves the washing effect and helps distribute the load evenly to keep the machine stable and reduce the noise level during spinning.

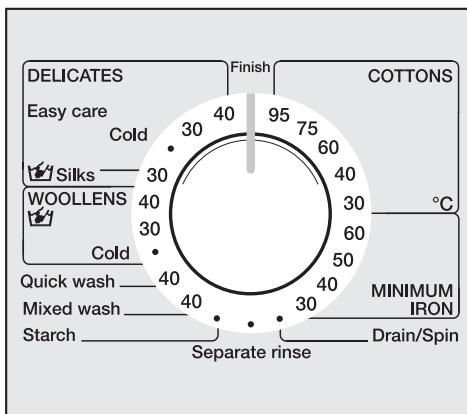
To save energy and water try to load the maximum amount for the programme selected.

However, be careful not to overload the machine. Overloading reduces the wash result and causes more creasing.

### 5 Close the drum door with a gentle swing.

Make sure that no garments are caught between the drum door and seal.

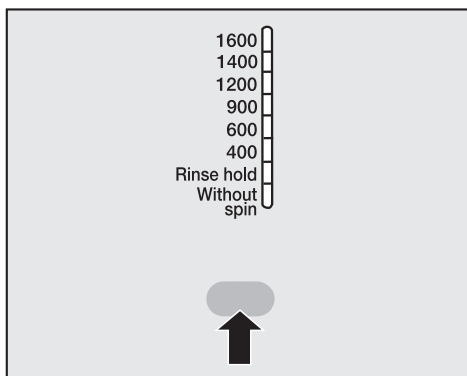
### 6 Select a programme



- Turn the programme selector to the required programme.

The maximum duration for the programme will appear in the display.

### 7 Select a spin speed

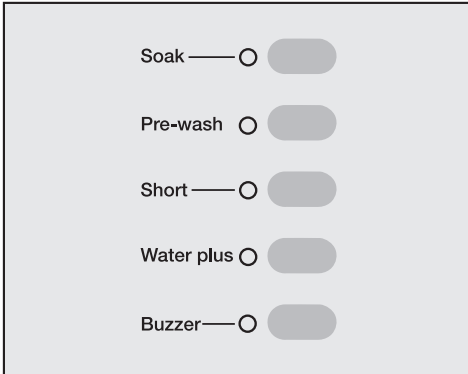


- Press the “Spin” button repeatedly until the indicator light for the spin speed you want comes on.

In some programmes the maximum spin speed is limited. The machine will not allow a higher spin speed to be selected.

## Additional options

### 8 Select any additional option required.



- Press the appropriate additional option button.

### Soak

For heavily soiled and stained items with dried-on stains, or ones which cannot be bleached out, (e.g. blood, fats and oils, cocoa).

A length of time of between 30 minutes and 6 hours can be chosen, in 30 minute periods for the “Soak” process.

- When the *Soak* button is pressed for the first time, the first 30 minutes of the soak time are added to the programme time.
- Each further press of the button increases the soak time in 30 minute periods up to a maximum of 6 hours.

### Deleting the soak time

- Press the *Soak* button repeatedly until the indicator light goes out.

### Pre-wash

For heavily soiled and stained items.

### Short

For lightly soiled items.

This shortens the programme running time. In the *COTTONS*, *MINIMUM IRON*, *Silks* and *Mixed wash* programmes only two rinses are carried out. With the exception of the *Silks* programme, the rinses are carried out with a higher water level.

### Water plus

If you want to increase the water level for a wash process you can choose one of the four options for the *Water plus* button. The options are explained in the section on “Programmable functions - Water plus system”.

The machine is set at the factory so that the water level in the main wash and rinses will be increased if the *Water plus* button is pressed.

### Buzzer

At the end of the programme or when Rinse hold is reached an audible tone sounds repeatedly.

The buzzer will continue to sound until the washing machine is switched off.

Once switched on, the buzzer remains activated until it is switched off again.

# How to wash correctly

## 9 Add detergent

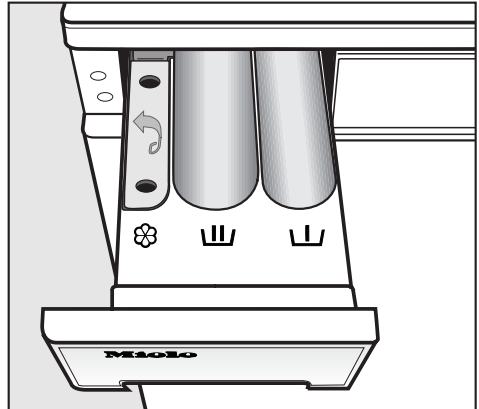
It is important to dispense the correct amount, because . . .

. . . too little results in the following:

- Laundry will not be properly clean and will in time become grey and hard to the touch.
- Greasy particles cling to the laundry.
- Limescale deposits on the heater elements.

. . . too much results in the following:

- Excessive foam which causes a low level of agitation and poor wash, rinse and spin results.
- High water consumption (an additional rinse cycle will automatically switch in).
- A burden to the environment.



- Pull out the detergent drawer and place detergent in the compartments as follows:

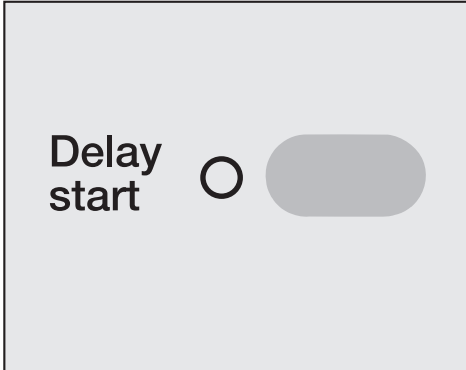
- U = Detergent for Pre-wash (if selecting Pre-wash, add 1/4 of the total amount recommended)
- U = Detergent for the main wash including Soak
- ⊗ = Fabric conditioner or liquid starch.

See section on “Detergent” for further information on detergent and the amount to dispense.

## 10 Open the stopcock.

## Delay start

### 11 Select delay start if required.



- Press the *Delay start* button. Each press on the button increases the delayed time:

- by 30 minutes up to 10 hours,
- by 1 hour from 10 hours upwards.

### To delete delay start

- Press the *Delay start* button once when *24 h* is showing in the display.

### 12 Press the **START** button.

This starts the programme. The maximum duration for the programme will appear in the display.

Note: If *Delay start* has been selected the display will show the delay period counting down. Once the delay start period is completed the programme begins and the actual programme duration shows in the display.

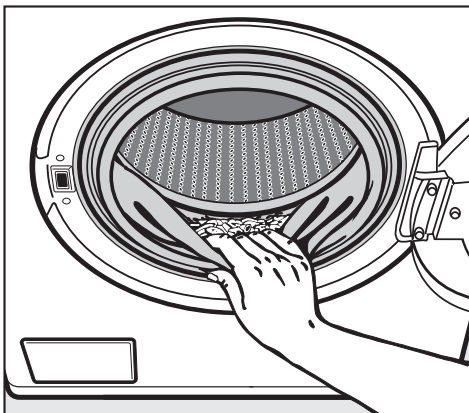
# How to wash correctly

## At the end of a programme

### 13 Open the drum door

- Press the *Door* button.

### 14 Remove the laundry



- Check the folds in the door seal for any small articles, e.g. buttons which might be lodged there.

Check that all the items have been removed. Items left in the drum could discolour other items in the next wash or become discoloured themselves.

### 15 Switch off the washing machine

- Press the I-ON / 0-OFF button and turn the programme selector to *Finish*.

### 16 Close the drum door

Otherwise there is the danger of objects being placed inadvertently in the drum. If these remained unnoticed and were washed in the next load, they could damage the laundry.

## Brief instructions

Please note:

To help familiarise yourself with how to use your washing machine please read the sections “Before washing”, “Selecting a programme” and “At the end of a programme” in detail.

### 1 Sort the laundry

Selecting a programme:

- 2 Switch on the washing machine
- 3 Open the drum door
- 4 Load the drum
- 5 Close the drum door
- 6 Select a programme
- 7 Select a spin speed
- 8 Select any additional option required
- 9 Add detergent
- 10 Open the stopcock
- 11 Select delay start if required
- 12 Press the START button

At the end of a programme:

- 13 Open the drum door
- 14 Remove the laundry
- 15 Switch off the washing machine
- 16 Close the drum door



## Adding or removing laundry after a programme has started

Laundry can be added or removed after the programme has started when using the following programmes:

- COTTONS
- MINIMUM IRON
- Quick wash
- Mixed wash
- Starch
- Press the *Door* button in and hold it until the door springs open.
- Add or remove items.
- Close the door.

The programme will continue automatically.

### Please note:

Once a programme has started the machine cannot recognise any adjustment to the load. For this reason if laundry is added or removed after the start of a programme, the machine will always complete the programme cycle for a full load which can lead to an increase in the time remaining for the programme shown in the display.

### The door **cannot be opened**, when:

- the suds temperature is above **55°C**.
- the water is above a certain level.
- programme locking is switched on.
- the programme has reached the *Final spin* stage.

The *locked* indicator light will come on if the *Door* button is pressed when the above conditions are present.

# How to wash correctly

---

## Interrupting a programme

- Switch the washing machine off with the I-ON / 0-OFF button.

To continue with the same programme:

- Switch the washing machine back on again with the I-ON / 0-OFF button. Altering a programme once selected

The machine will accept the following changes after a programme has started:

- at any time after the start, the spin speed can be changed within the limits for the programme.
- up to 6 minutes after the start, the additional functions *Water plus* and/or *Short* can be selected or de-selected and a different temperature can be selected for the programme in use.

After the start of a programme it is no longer possible to select a different programme.

If the programme selector is moved, the indicator light *Anti-crease/Finish* will start flashing. However, the programme sequence remains unaffected. The indicator light will go out again when the programme selector is moved back to the programme previously chosen.

## Skipping a programme stage

- Turn the programme selector to *Finish*.

As soon as the programme sequence indicator light for the programme stage you want the programme to continue at starts flashing:

- Turn the programme selector back again to the appropriate programme within 4 seconds.

Programmes cannot be altered and programme stages cannot be skipped if programme locking has been activated.

## Selecting a different programme

- Switch the washing machine off with the I-ON / 0-OFF button.
- Turn the programme selector to *Finish*.
- Switch the washing machine back on with the I-ON / 0-OFF button.
- Select a different programme.
- Press the START button.

## Programme sequence

This washing machine has fully electronic controls with automatic load recognition. The machine determines the amount of water to use depending on the load and the absorption rate of the laundry as water is taken in. The programme sequence and duration will therefore vary with the load.

The programme sequences outlined below are based on the basic programme with a full load.

Additional options which can be selected have not been taken into account.

The programme sequence indicator lights show the stage the programme has reached.

### COTTONS

#### Main wash

Water level: low

Wash rhythm: normal

#### Rinses

Water level: low

No of rinses: 3 or 4<sup>1)</sup>

#### Spinning

Rinse and interim spin<sup>2)</sup>: yes

Final spin: yes

### MINIMUM IRON

#### Main wash

Water level: low

Wash rhythm: normal

#### Rinses

Water level: medium

No of rinses: 3

Graduated rinsing<sup>3)</sup>: above 40°C

#### Spinning

Rinse and interim spin<sup>2)</sup>: yes

Final spin: yes

### DELICATES

#### Main wash

Water level: high

Wash rhythm: normal

#### Rinses

Water level: high

No of rinses: 3

#### Spinning

Rinse and interim spin<sup>2)</sup>: no

Final spin: yes

### Silks

#### Main wash

Water level: medium

Wash rhythm: Silks

#### Rinses

Water level: medium

No of rinses: 2

#### Spinning

Rinse and interim spin<sup>2)</sup>: no

Final spin: yes

# How to wash correctly

## WOOLLENS

### Main wash

Water level: medium

Wash rhythm: Woollens

### Rinses

Water level: medium

No of rinses: 2

### Spinning

Rinse and interim spin<sup>2)</sup>: yes

Final spin: yes

## Quick wash

### Main wash

Water level: low

Wash rhythm: normal

### Rinses

Water level: medium

No of rinses: 2

### Spinning

Rinse and interim spin<sup>2)</sup>: yes

Final spin: yes

## Mixed wash

### Main wash

Water level: low

Wash rhythm: normal

### Rinses

Water level: medium

No of rinses: 3

Graduated rinsing<sup>3)</sup>: for very delicate items

### Spinning

Rinse and interim spin<sup>2)</sup>: yes

Final spin: yes

## Starch

Water level: low

Wash rhythm: normal

Final spin: yes

## Separate rinse

Water level: high

No of rinses: 2

Final spin: yes

## Special features in the programme sequences:

### Anti-crease:

At the end of every programme, with the exception of the WOOLLENS programme, the anti-crease action switches on for a maximum of 30 minutes.

1) A fourth rinse takes place automatically when:

- there is too much foam in the drum
- if a spin speed of lower than 700 rpm has been selected.
- if *Without spin* has been selected

2) Rinse and interim spin:

There is a spin between the rinses.

Omitting rinse and interim spin:

Select *Without spin* on the spin speed display

3) Graduated rinsing:

The suds are cooled at the end of the main wash cycle by water flowing in and being pumped away at intervals. This also helps minimise creasing.

All modern detergents produced for automatic washing machines are suitable, including liquid, compact (concentrated), tablets and special application detergents. Use dispensing aids, e.g. balls, if these are supplied with the detergent.

Woollens and knitwear containing wool mixtures and hand-washable garments should be washed using a detergent specifically designed for washing woollens.

Silk should be washed using a liquid detergent specifically designed for washing woollens. Do not use biological detergents on silk as the enzymes may damage the silk!

Add detergent according to the amount recommended on the packaging.

### **The right amount to dispense will depend on the following:**

- The quantity of laundry.
- The soiling level of the laundry.

#### Lightly soiled

No visible dirt or stains. Possibly slight body odour.

#### Normally soiled

Visibly dirty and/or just a few slight stains.

#### Heavily soiled


Stains and soiling clearly visible.

## **Water softeners**

A water softener, such as Calgon can be used to cut down on the use of detergents in extremely hard water areas. Dispense according to the amount specified on the packaging. First add detergent and then the water softener.

Use a quantity of detergent as for soft water.

## **Washing with several components**

If you wash using several components (e.g. special application detergents), we recommend always dispensing the agents into compartment  in the following order:

1. Detergent
2. Water softener
3. Stain remover e.g. Biotex.

This way the agents are distributed more efficiently.

# Detergent

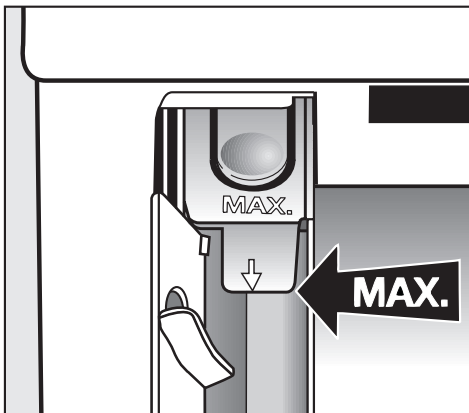
## Fabric conditioners and liquid starch

Fabric conditioners make garments soft and fluffy to handle and help prevent static cling when tumble drying.

Starch stiffens and gives body to items of laundry, e.g. shirts, tablecloths and bed linen.

- Dispense according to the amount specified on the packaging.

## Automatic dispensing of fabric conditioners or liquid starch to laundry at the end of a programme



- Add the fabric conditioner or liquid starch to compartment ☼. **Do not exceed the maximum level mark.**

The conditioner or liquid starch is automatically dispensed in the last rinse. At the end of the programme a small amount of water remains in the fabric conditioner compartment ☼.

If starching frequently, clean the dispenser compartment and especially the siphon tube and conditioner channel. See "Cleaning the detergent dispenser drawer".

## Adding fabric conditioner or liquid starch separately

- Add fabric conditioner or starch to compartment  $\downarrow$ .
- Turn the programme selector to *Starch*.
- Select a spin speed.
- Press the START button.

## Dye removers / dyes

- Do not use dye removers in the washing machine.
- Only use dyes specified by the manufacturer as being suitable for use in a washing machine. Always observe the manufacturer's instructions carefully.

## Electronic programme locking

Programme locking prevents the machine from being opened or the programme cancelled during a wash programme.

### To activate programme locking

- After the start of a programme, press the START button for at least 4 seconds until the *locked* check light (lower right on the control panel) comes on.

Programme locking is now activated.

The machine will now not accept any changes and the programme will proceed through to the end.

Programme locking is deactivated automatically at the end of the programme.

### Deactivating programme locking early

- Press the START button for at least 4 seconds until the *locked* check light (lower right on the control panel) goes out.

Exception:

If the programme selector has been moved and the *Anti-crease/Finish* indicator light is flashing in the sequence display.

- First, turn the programme selector back to the programme chosen previously. The *Anti-crease/Finish* indicator light will go out.
- Now press the START button for at least 4 seconds until the *locked* check light (lower right on the control panel) goes out

# Locking functions

---

## Electronic system lock

The system lock prevents your machine being used without your knowledge.

When the system lock has been activated:

- the drum door cannot be opened with the *Door* button and
- a programme cannot be started.

### To activate the system lock

First, ensure that:

- The drum door is closed
- The programme selector is at *Finish*.

- ❶ Switch on the washing machine with the I-ON / 0-OFF button.
- ❷ Press the *Pre-wash* button and keep it pressed in while carrying out steps ❸ to ❺
- ❸ Slowly turn the programme selector clockwise stage by stage to COTTONS 60°C.
- ❹ Now slowly turn the programme selector anti-clockwise stage by stage to *Finish*.

- ❺ Next slowly turn the programme selector anti-clockwise stage by stage to DELICATES cold.  
The *locked* check light (lower right on the control panel) will flash.
- ❻ Now release the *Pre-wash* button.
- ❼ Turn the programme selector to *Finish*.
- ❽ Switch the washing machine off with the I-ON / 0-OFF button.

### To de-activate the system lock

Repeat steps ❶ to ❻. The *locked* check light goes out.



The programmable functions can be used to tailor washing programmes to suit your individual requirements.

## Water plus system (P2)

Selecting the *Water plus* additional option increases the water intake in the programmes listed below.

The water intake is increased in the wash and rinse stages and in the COTTONS programme an extra rinse cycle is introduced.

There are four different settings which can be programmed to alter the water intake for the following programmes:

- COTTONS
- MINIMUM IRON
- Quick wash
- Mixed wash
- Silks

The programmed setting is then activated by pressing the *Water plus* additional option button.

### The settings are as follows:

#### Setting 1:

an increase in the rinse water level for the programmes listed.

#### Setting 2:

an increase in the water level in the main wash and rinses for the programmes listed (the washing machine is delivered with setting 2 programmed as standard).

#### Setting 3:

an extra rinse cycle in the COTTONS programme only.

#### Setting 4:

an increase in the water level in the main wash and rinses for the programmes listed and also an extra rinse cycle in the COTTONS programme.

Steps ❶ to ❷ on the following page describe how to programme and store a setting in memory.

# Programmable functions


---

## Follow steps ① to ⑦ to programme and store a setting in memory.

The programmable functions are activated to call up further features not shown on the control panel by using the additional option buttons in combination with the programme selector.

Before you begin, first ensure that:

- The washing machine is switched off.
- The drum door is closed.
- The programme selector is at *Finish*.

- ① Press the additional option buttons *Short* and *Water plus* at the same time, hold pressed in and . .
- ② . . . switch on the machine with the I-ON / 0-OFF button.
- ③ Let go of all these buttons. *P*  appears in the display.

④ Turn the programme selector to DELICATES 30°C:

⑤ The *P* will now flash in the display alternating with the number *2*

In addition, one of the following numbers will appear on the right of the display:

*1, 2, 3* or *4*

⑥ Press the START button to toggle between the various settings.

The number on the right of the display shows which setting is selected.

*1* = Setting 1 is selected  
(increase water level in the rinses)

*2* = Setting 2 is selected  
(increased water level in the main wash and in the rinses)

*3* = Setting 3 is selected  
(extra rinse in the COTTONS programme)

*4* = Setting 4 is selected  
increase in the water level in the main wash and rinses and also an extra rinse in the COTTONS programme.

⑦ Switch the washing machine off with the I-ON / 0-OFF button.

The *Water plus* button has now been allocated the setting you have chosen. This setting will remain in memory until another setting is programmed.

## Gentle action (P9)

Activating gentle action reduces the drum action. Slightly soiled items are washed more gently.

Gentle action can be used with the COTTONS, MINIMUM IRON, *Quick wash*, *Starch* and *Mixed wash* programmes.

If "Gentle action" is programmed into the machine, every wash cycle in these programmes will be carried out with gentle action rhythm.

The washing machine is delivered with "Gentle action" de-activated.

### Follow steps ❶ to ❷ to programme and store in memory.

The programmable functions are activated to call up further features not shown on the control panel by using the additional option buttons in combination with the programme selector.

Before you begin, first ensure that:

- The washing machine is switched off.
- The drum door is closed.
- The programme selector is at *Finish*.

❶ Press the additional option buttons *Short* and *Water plus* at the same time, hold pressed in and . .

❷ . . . switch on the machine with the I-ON / 0-OFF button.

❸ Let go of all these buttons. *P 0* appears in the display.

❹ Turn the programme selector to *Mixed wash*:

❺ The *P* will now flash in the display alternating with the number *9*

In addition, one of the following will appear on the right of the display:

*0* = Gentle action is deactivated

*1* = Gentle action is activated

❻ Press the START button to change from one to the other. The display will change accordingly from *0* to *1* or from *1* to *0*.

❼ Switch the washing machine off with the I-ON / 0-OFF button.

The setting you have selected is now stored in memory and will remain so until you alter it.

# Programmable functions

---

## Top-up rinse for COTTONS (P10)

When this is activated, additional water flows into the drum at the end of the main wash and the suds are cooled down. Hot suds can damage plastic drainage pipes.

Top-up rinse takes place when temperatures of 95°C and 75°C are selected.

The washing machine is delivered with the Top-up rinse for COTTONS deactivated.

### Follow steps ① to ⑦ to programme and store in memory.

The programmable functions are activated to call up further features not shown on the control panel by using the additional option buttons in combination with the programme selector.

Before you begin, first ensure that:

- The washing machine is switched off.
- The drum door is closed.
- The programme selector is at *Finish*.

- ① Press the additional option buttons *Short* and *Water plus* at the same time, hold pressed in and . .
  - ② . . . switch on the machine with the I-ON / 0-OFF button.
  - ③ Let go of all these buttons. *P 0* appears in the display.
  - ④ Turn the programme selector to *Starch*:
  - ⑤ The *P* will now flash in the display alternating with the number *10*
- In addition, one of the following will appear on the right of the display:
- 0* = Top-up rinse is deactivated  
*1* = Top-up rinse is activated
- ⑥ Press the START button to change from one to the other. The display will change accordingly from *0* to *1* or from *1* to *0*.
  - ⑦ Switch the washing machine off with the I-ON / 0-OFF button.

The setting you have selected is now stored in memory and will remain so until you alter it.

## Memory Function (P11)

If an additional option(s) is selected for a programme, and / or the spin speed is altered, the machine stores these changes in memory at the start of a programme.

When that particular programme is chosen again, the display will show the additional option(s) and / or spin speed which have been stored for that programme in the memory.

Exception: Delay start and buzzer; the buzzer once switched on remains active for all programmes until it is switched off again.

The washing machine is delivered with the memory function de-activated.

### Follow steps ① to ⑦ to programme and store in memory.

The programmable functions are activated to call up further features not shown on the control panel by using the additional option buttons in combination with the programme selector.

Before you begin, first ensure that:

- The washing machine is switched off.
- The drum door is closed.
- The programme selector is at *Finish*.

- ① Press the additional option buttons *Short* and *Water plus* at the same time, hold pressed in and . .
  - ② . . . switch on the machine with the I-ON / 0-OFF button.
  - ③ Let go of all these buttons. *P*  $\bar{0}$  appears in the display.
  - ④ Turn the programme selector to *Separate rinse*:
  - ⑤ The *P* will now flash in the display alternating with the number *11*
- In addition, one of the following will appear on the right of the display:
- $\bar{0}$  = Memory function is deactivated
  - 1* = Memory function is activated
- ⑥ Press the START button to change from one to the other. The display will change accordingly from  $\bar{0}$  to *1* or from *1* to  $\bar{0}$  .
  - ⑦ Switch the washing machine off with the I-ON / 0-OFF button.

The setting you have selected is now stored in memory and will remain so until you alter it.

# Cleaning and care

---

Disconnect the appliance from the mains electricity supply and withdraw the plug from the socket prior to cleaning the machine.

- Clean the casing with a mild non-abrasive detergent or soap and water. Wipe dry with a soft cloth.
- Clean the fascia panel with a damp cloth and wipe dry with a soft cloth.
- The drum can be cleaned using a suitable proprietary stainless-steel cleaning agent.

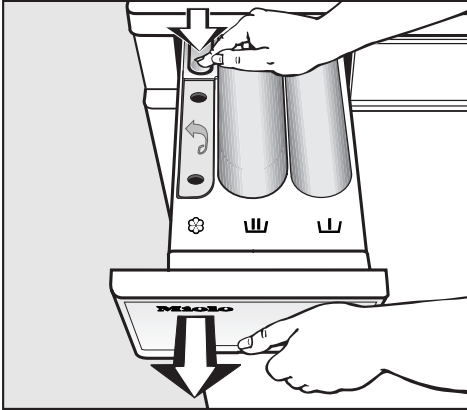
Do not use abrasive cleaners, glass cleaners or all-purpose cleaning agents. These might damage plastic surfaces and other components because of the chemicals they contain.  
The washing machine must not be hosed down.

## Extra cleaning

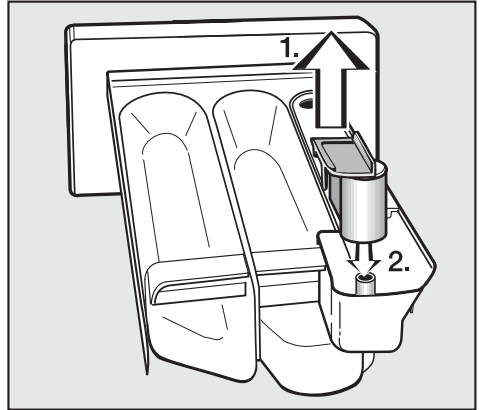
Carry out a hot wash (70°C or above) with powder detergent approx. every 6 weeks to help prevent deposits building up in the machine. These can occur when washing is mainly done at low temperatures, and also lead to unpleasant smells. If you have no reason to wash occasionally at this high temperature, then run a Cottons 95°C programme with detergent but no laundry at regular intervals.

## Cleaning the detergent dispenser drawer

Remove detergent residues regularly.



- Pull out the detergent dispenser drawer until a resistance is felt. Press down the release catch and at the same time pull the drawer right out of the machine.
- Clean the detergent drawer with warm water.



- Clean the siphon.
  1. Remove the siphon from compartment ⌘. Wash under running warm water. Clean the siphon tube in the same way.
  2. Replace the siphon.

# Cleaning and care

## Cleaning the fluff (drain) filter and pump

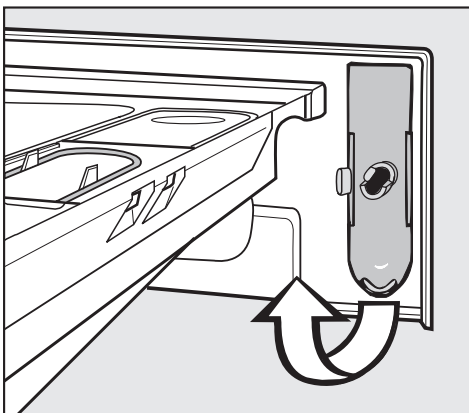
Check the drain filter initially after 3-4 washes to ascertain how often it is likely to require cleaning.

With normal cleaning approx. 2 litres of water run out.

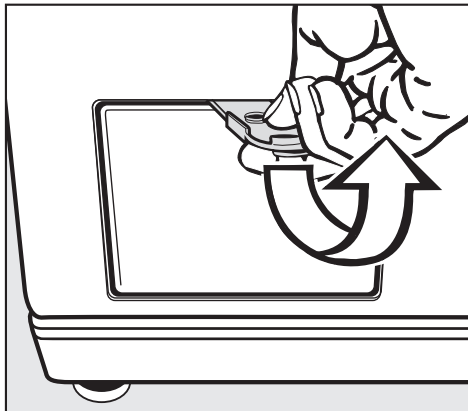
If the drain outlet is clogged, more water will be retained in the machine (**up to 25 litres**).

Caution: If laundry has been washed at a high temperature, water draining out of the machine will still be hot.

There is a filter flap opener located behind the detergent drawer facia panel (see illustration).



- Remove the opener.



- Use it to open the access flap.
- Place a dish under the access flap.

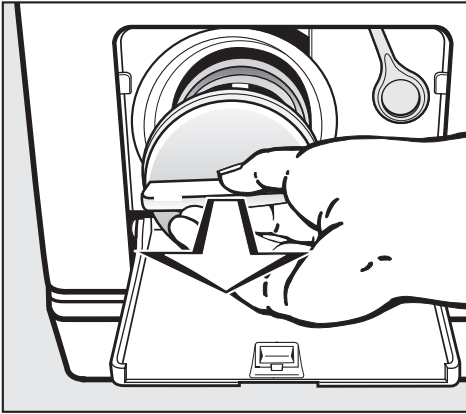


- Turn the fluff filter lid round 2-3 times. Do **not** take it right out.

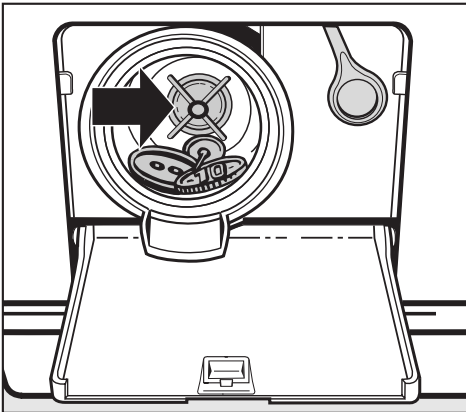
With large volumes of water the dish will need to be emptied several times. Secure the fluff filter back into position and empty the dish before repeating the procedure.



Once the flow of water ceases:



- Remove the fluff filter completely.
- Clean the fluff filter thoroughly.




- Remove any foreign objects (e.g. buttons, coins, etc) and fluff. Turn the impeller by hand to check that it is free to rotate. Any foreign object causing an obstruction should be removed.

- Clean the inside of the fluff filter housing. Remove any deposits of limescale and detergent or foreign objects from the thread of the filter housing and filter unit (as these objects can cause a leakage of water). Deposits of limescale are often a sign of underdosage of powder.
- Put the fluff filter back in place and secure.

Make sure the fluff filter is securely tightened. Otherwise there is a risk of water leakage during use.

### After cleaning

- Pour approx. 2 litres of water into the detergent dispenser compartment  to reactivate the ball valve.

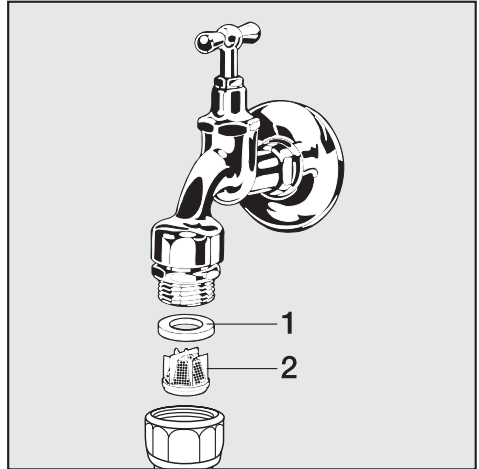
# Cleaning and care

## Cleaning the filter in the water inlet

The washing machine has a filter to protect the water inlet valve.

The accessible filter in the union in the open end of the inlet hose should be checked every six months, or more often if there are frequent interruptions to the external water supply.

- First turn off the stopcock.
- Unscrew the threaded union connecting the free end of the inlet hose to the stopcock.



- Remove the rubber seal **1** from the recess.
- Using pointed pliers, take hold of the plastic filter bar **2** and remove.
- Clean the plastic filter.
- Put the filter and seal back in the reverse order and reconnect the hose.

Turn on the stopcock and check the connection is watertight. If water drips out, tighten the connection.

**Never** forget to put the filter back in place after cleaning.

With the help of the following notes minor faults in the performance of the appliance, some of which may result from incorrect operation, can be put right without contacting the Service Department.

Repair work to electrical appliances should only be carried out by a suitably qualified person in accordance with local and national safety regulations. Unauthorised repairs could be dangerous.

## The chart is divided into the following sections to help you:

- The programme does not start.
- The wash programme stops and a fault indicator light comes on.
- A fault indicator light comes on but the wash programme continues as normal.
- General problems or an unsatisfactory wash result.

### – The programme does not start.

Fault indicator	Possible cause	Remedy
<b>The <i>Anti-crease / Finish</i> indicator light is not on, or the <i>START</i> indicator light is not flashing.</b>	There is no power.	Check that <ul style="list-style-type: none"><li>– the mains plug is plugged in.</li><li>– the fuse or circuit breaker has not tripped.</li></ul>
<b>The check light <i>locked</i> is flashing.</b>	The system lock has been activated.	Deactivate the system lock.
<b>The programme does not start when <i>Drain / Final spin</i> has been selected.</b>	The washing machine has not been prepared for using for the first time.	Prepare the machine as described in “Before using for the first time”.

# Problem solving guide

## – The wash programme stops and a fault indicator light comes on.

Fault indicator	Possible cause	Remedy ❶
<b>The buzzer sounds and the <i>Check drain</i> light flashes. “– – –” appears in the display.</b>	The water outlet is blocked.	Clean the fluff (drain) filter and drain pump.
	The drain hose has been fixed too high.	The maximum drain height is 1 m.
<b>The buzzer sounds and the <i>Check inlet</i> light flashes. “– – –” appears in the display.</b>	The water inlet is blocked.	Open the stopcock.
<b>The buzzer sounds and the <i>Check inlet</i> and <i>Check drain</i> lights flash. “– – –” appears in the display.</b>	The Waterproof system has reacted.	Call the Customer Service Department.
<b>The buzzer sounds and the <i>Soak/Pre-wash</i> or <i>Rinses</i> indicator light flashes in the programme sequence display. “– – –” appears in the display.</b>	There is a fault.	Start the programme again. If the fault indicators occur again, contact the Customer Service Department.

❶ To switch off the fault indicator: switch the washing machine off with the I-ON / 0-OFF button and turn the programme selector to *Finish*.

- A fault indicator light comes on but the wash programme continues as normal.

Fault indicator	Possible cause	Remedy ❶
<b>The <i>Check drain</i> light flashes.</b>	The drain outlet is restricted.	Clean the fluff (drain) filter and drain pump.
<b>The <i>Check inlet</i> light flashes.</b>	The water inlet is restricted.	Check whether <ul style="list-style-type: none"> <li>– the stopcock is opened wide enough.</li> <li>– the inlet hose is kinked.</li> </ul>
	The filter in the inlet hose is dirty.	Clean the filter.
<b>The <i>Excess detergent</i> check light comes on.</b>	Excessive foam has built up during washing.	Use less detergent next time and follow the recommendation on the packaging.
<b>The <i>Main wash</i> indicator light flashes in the programme sequence display.</b>	There is a fault.	Start the programme again. If the fault indicator occurs again, contact the Customer Service Dept.
<b>The <i>Final spin</i> indicator light flashes in the programme sequence display</b>	The final spin has not taken place. The machine detected an imbalance.	
<b>The <i>Anti-crease / Finish</i> indicator light flashes in the programme sequence display.</b>	The position of the programme selector was altered after the start of the programme. Turn the programme selector back to the programme previously chosen.	

- ❶ To switch off the fault indicator: Switch off the machine with the I-ON / 0-OFF button and turn the programme selector to *Finish*.

# Problem solving guide

## – General problems or an unsatisfactory wash result

<b>Problem</b>	<b>Possible cause</b>	<b>Remedy</b>
<b>The machine shakes during the spin cycle.</b>	The four feet are not resting evenly on the floor.	Level the machine. See advice on installation.
<b>The laundry has not been spun satisfactorily.</b>	The spin speed selected was too low.	Select a higher spin speed next time.
<b>The drum door cannot be opened by pressing the <i>Door</i> button.</b>	The machine is not connected to the electricity supply.	Put the plug in the socket and switch on.
	The washing machine is not switched on.	Switch the machine on with the I-ON / 0-OFF button.
	Power cut.	Open the drum door as described in the section “Opening the door in the event of a power failure”.
	The door was not correctly engaged.	Press hard against the lock side of the drum door and then press the <i>Door</i> button.
	There is still water in the drum and the machine is unable to drain.	Clean the fluff (drain) filter and the drain pump.
	For safety reasons the drum door cannot be opened when the suds temperature is higher than 55°C.	
<b>The pump makes strange noises.</b>	These do not indicate a fault.	They occur at the end of a pump sequence as a normal part of the operation.

## Problem solving guide

Problem	Possible cause	Remedy
<b>The programme selector light ring is not lit up.</b>	The machine has switched off the light ring to save energy. To switch the light ring back on again: press one of the additional option buttons or turn the programme selector.	
<b>Large residues of detergent remain in the dispenser drawer.</b>	The water supply pressure is too low.	<ul style="list-style-type: none"> <li>– Clean the filter in the water inlet system.</li> <li>– It may be useful to press the <i>Water plus</i> button.</li> </ul>
	Washing powder used with water softener tends to become sticky.	Pour washing powder into the dispenser before adding any water softener.
<b>Fabric conditioner is not completely dispensed or too much water remains in the ☼ compartment.</b>	The siphon is either incorrectly positioned or clogged.	Clean the siphon, see “Cleaning and care – Cleaning the detergent drawer”.
<b>Liquid detergent does not give the required result.</b>	Liquid detergents do not contain bleaching agents. They do not remove fruit, coffee and tea stains	<ul style="list-style-type: none"> <li>– Use a general purpose washing machine powder containing a bleaching agent.</li> <li>– Pour stain removers into compartment <b>III</b> of the dispenser drawer and liquid detergent into a dispenser ball.</li> <li>– Never put stain removers and liquid detergent together in the dispenser drawer.</li> </ul>

## Problem solving guide

---

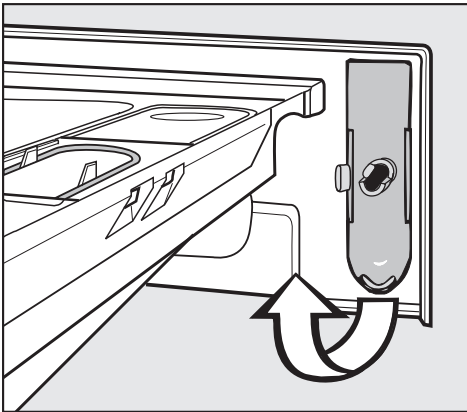
Problem	Possible cause	Remedy
<b>Grey, greasy particles cling to washed laundry.</b>	Insufficient amounts of detergent were used to break down the particles of grease in heavily soiled laundry.	<ul style="list-style-type: none"><li>– Add more detergent.</li><li>– Before washing the next load run a COTTONS 95°C programme with powder detergent but without a load. (See also “Extra cleaning” in Cleaning and Care).</li></ul>
<b>There are white residues which look like powder detergent on dark coloured laundry.</b>	The detergent contained compounds (zeolites) to aid water softening which are not soluble in water. These have ended up on the laundry.	<ul style="list-style-type: none"><li>– Try and brush off the residues with a soft brush once the laundry is dry.</li><li>– Use a liquid detergent to wash dark coloured textiles. Liquid detergents usually contain no zeolites.</li></ul>



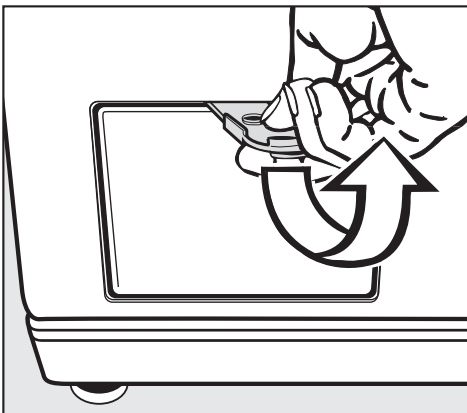
### Opening the drum door in the event of a power failure

- Switch the washing machine off.

There is a filter flap opener behind the detergent drawer facia panel.

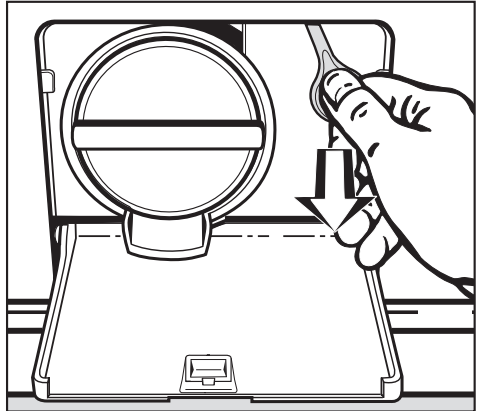


- Remove the opener.



- Use it to open the access flap and drain the water as described in the “Cleaning the fluff filter and pump” section of “Cleaning and care”.

Always make sure that the drum is stationary before reaching into the machine to remove laundry. Reaching into a moving drum is extremely dangerous.



- Pull the emergency release downwards (see illustration). The drum door will open.

# Problem solving guide

---

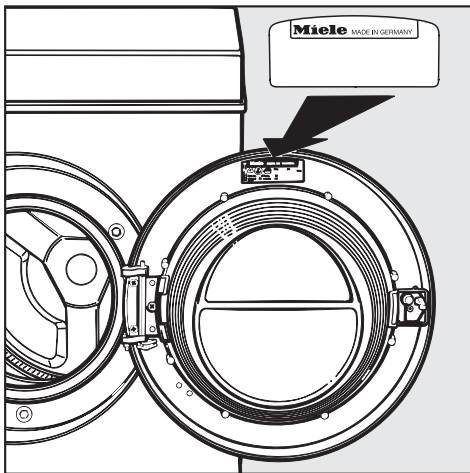
## Customer contact

In the event of any faults which you cannot remedy yourself please contact

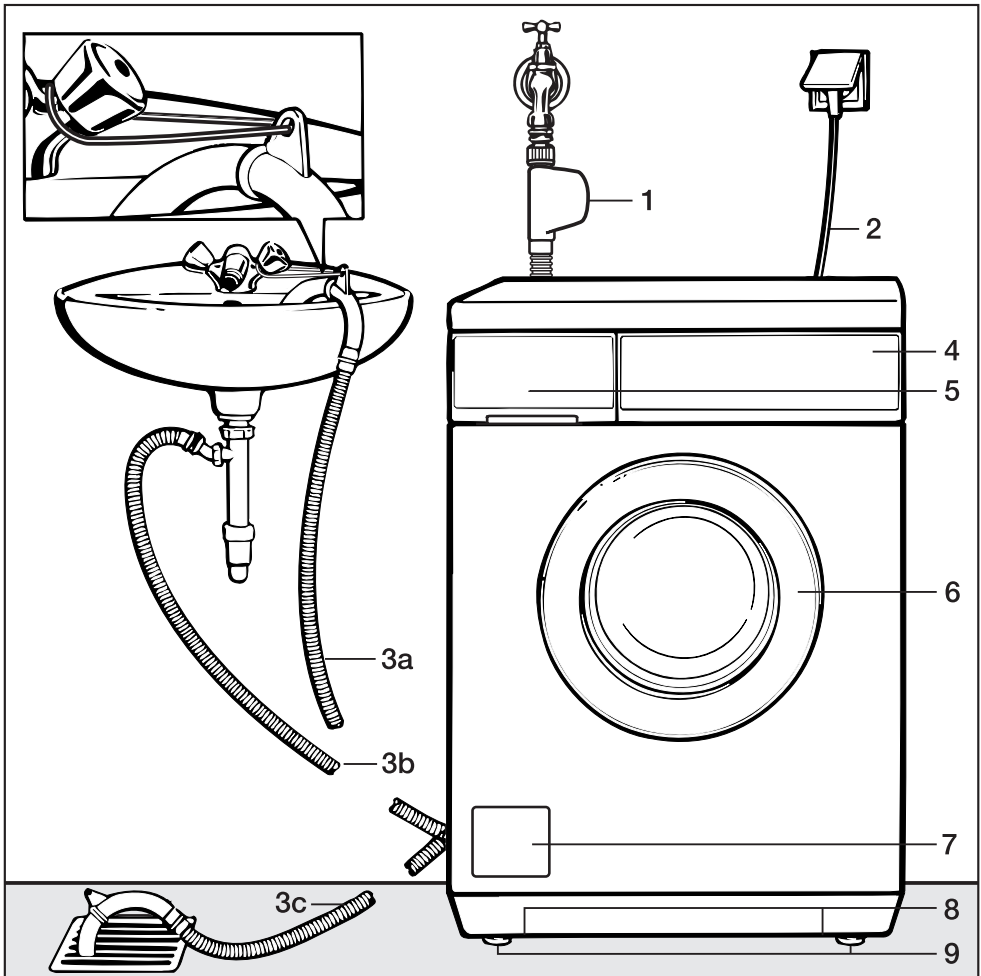
- Your Miele dealer or
- Your nearest Miele Service Department (see back cover for the address).

When contacting the Service Department, please quote the model and serial number of your appliance, both of which are shown on the data plate visible at the top inside of the door above the porthole glass when the door is open.

Please note that telephone calls may be monitored and recorded to improve our service.



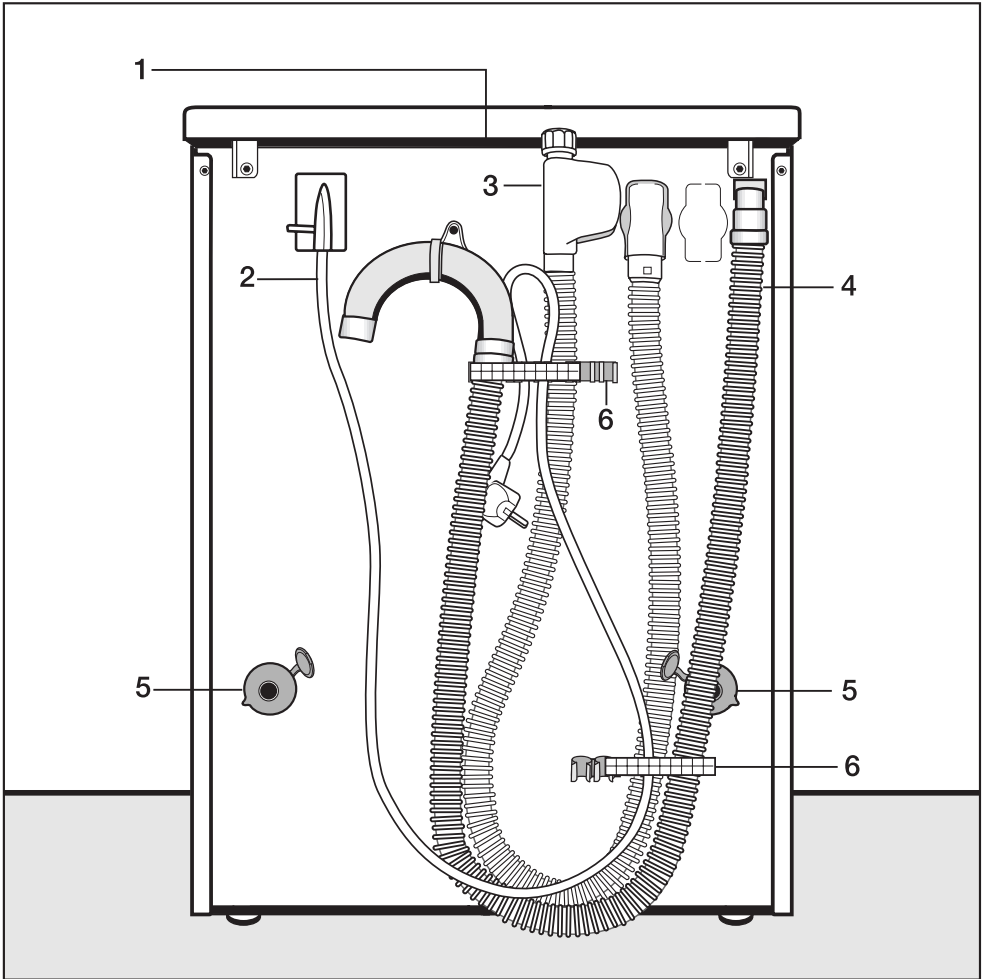
## Front view



- |   |  |
|---|--|
| <b>1</b> Inlet hose with “Waterproof” system                      | <b>5</b> Detergent dispenser drawer                              |
| <b>2</b> Electricity supply cable                                 | <b>6</b> Drum door   |
| <b>3a - 3c</b> Flexible drain hose (with detachable swivel elbow) | <b>7</b> Flap for fluff filter, drain pump and emergency release |
| <b>4</b> Facia panel with controls                                | <b>8</b> Handle recesses for moving the machine                  |
|   | <b>9</b> Four height adjustable feet                             |

# Installation and connection

## Rear view



- |  |                                  |
|--|----------------------------------|
| <b>1</b> Protruding lid edge for holding when moving the machine | <b>5</b> Cover with transit bars |
| <b>2</b> Electricity supply cable                                | <b>6</b> Restraining clip for:   |
| <b>3</b> Inlet hose with "Waterproof" system                     | – Inlet hose                     |
| <b>4</b> Drainage hose   | – Drain hose                     |
|  | – Electricity supply cable       |
|  | – Transit bars when removed      |

## Installation surface

A concrete floor is the most suitable installation surface for a washing machine, being far less prone to vibration during the spin cycle than wooden floorboards or a carpeted surface.

Please note the following points:

- The machine must be level and securely positioned.
- To avoid vibrations during spinning, the machine should not be installed on soft floor coverings.

If installing on a wooden joist floor:

- we recommend a plywood base (at least 59x52x3 cm). The base should span several joists and be bolted to the joists and not only to the floorboards. Check for the presence of pipes and cables.

If possible, install the machine in a corner, as this is usually the most stable part of the floor.

If the machine is installed on a raised plinth, it **has to be** secured against slippage during spin using retaining clips (available from the Miele Spare Parts Dept).

## Installing the washing machine

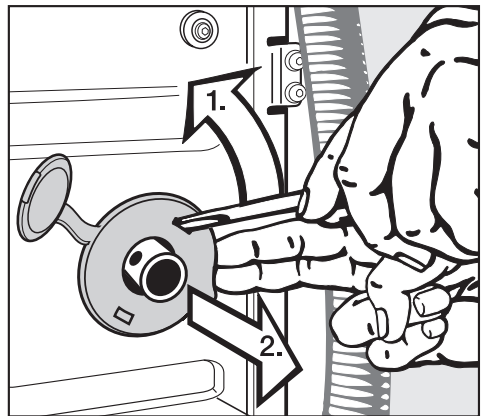
To manoeuvre the machine out of its packing case to its installation site hold it by the edge of the lid where it protrudes to the rear of the washing machine as well as by the handle recesses at the front.

Please note:

- Do not lift the machine by the drum door.

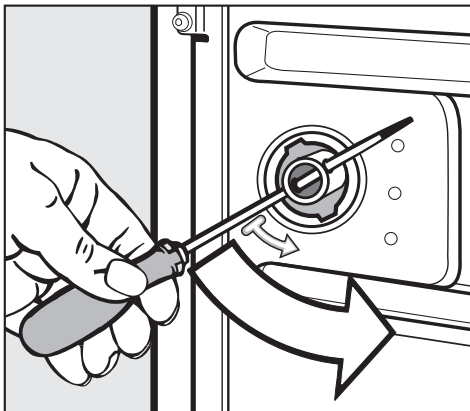
Ensure that the machine feet and the floor are dry to prevent the machine from slipping during the spin cycle.

## Removing the transit fittings

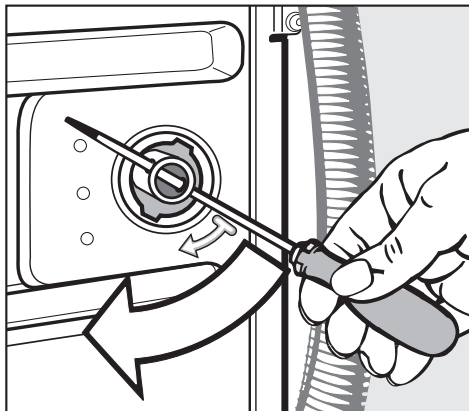


- To remove the left and right covers
  1. Use a screwdriver to prise out the cover as illustrated.
  2. Pull the cover forwards to remove.

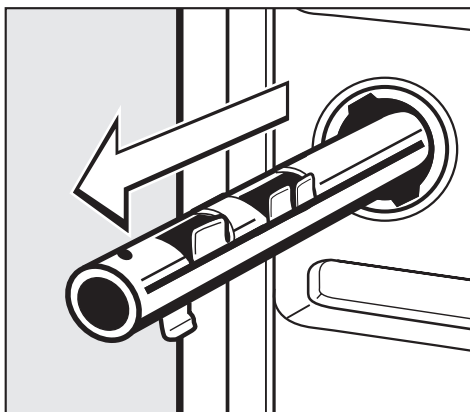
## Installation and connection



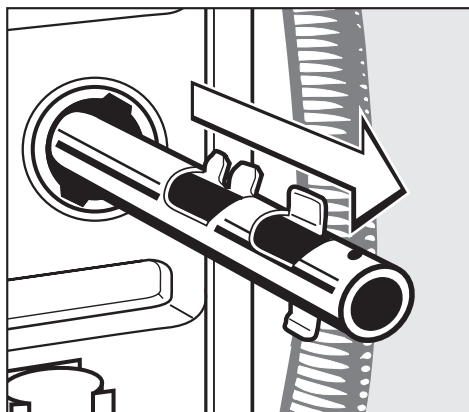
- Turn the left-hand transit bar 90°.



- Turn the right-hand transit bar 90°.

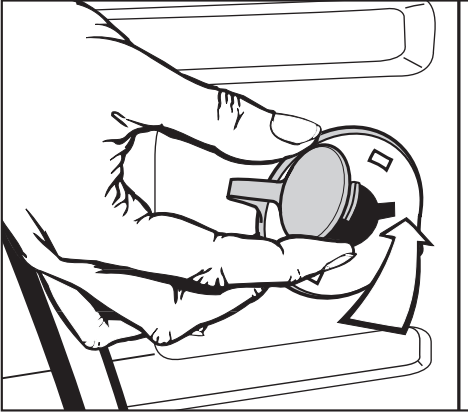


- Withdraw the left-hand transit bar.



- Withdraw the right-hand transit bar.

## Installation and connection

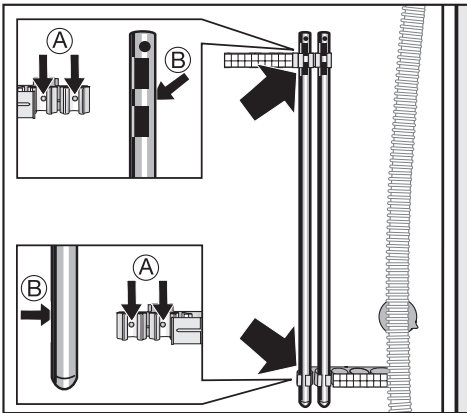


The washing machine must not be moved without the transit bars in place.  
Store the transit bars as shown or keep them in a safe place for future use. They must be re-fitted if the machine is to be moved again (e.g. when moving house).

### Re-fitting the transit bars

Re-fitting is carried out by reversing the procedure.

- Fit the covers on to the two holes. Then plug the holes as shown with the caps.

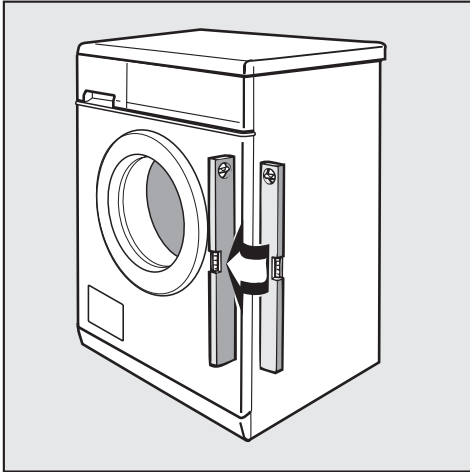


- Secure the transit bars to the back of the washing machine. Make sure that holes **B** are fitted over retainers **A**.

# Installation and connection

## Levelling the machine

The machine must stand perfectly level on all four feet to ensure safe and proper operation.



Incorrect installation may increase electricity and water consumption and may cause the machine to move about.

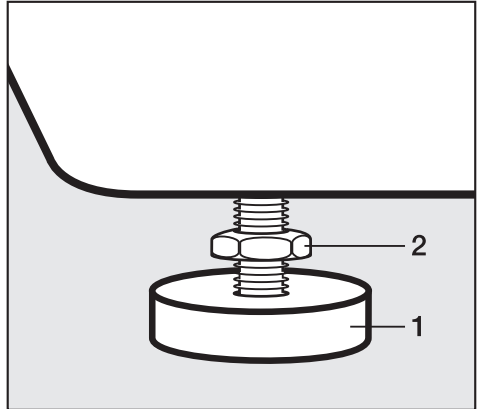
The four adjustable screw feet are used to level the machine. All four feet are screwed in when the machine is delivered.

## Screwing out and adjusting the feet

- Gently tip the machine and prop it up using a solid wood wedge for example, to ensure stability.

Make sure the machine does not slip as this could cause injury.

- Loosen counter nut **2** with a spanner by turning it anti-clockwise, then turn foot **1** together with the counternut and unscrew.
- Put the machine back on all four feet.
- Use a spirit level to check the machine is standing level.



- Hold the foot **1** firm using a pipe wrench and using a spanner turn the counternut **2** to the right firmly up against the housing.

All four counternuts must be firmly up against the housing. Please also check this for the feet which did not need adjustment. Otherwise there is the danger of the machine moving about.



## Building under a continuous worktop / in a kitchen run

- A special building under conversion kit\* is required.  
The machine lid must be replaced by a cover plate. To ensure electrical safety the cover plate must be fitted.

\*\*

### N.B.\*\*

If you wish to push your machine under a worktop and there is space to do this **without removing the lid**, the conversion kit is not necessary. Otherwise the conversion kit is essential.

- For installation under a work surface 900/910 mm from the floor, a raising kit\* is required.
- Connections for electricity, water and drainage should be installed in such a way that they remain accessible when the machine is in place.

Fitting instructions are supplied with the conversion kit.

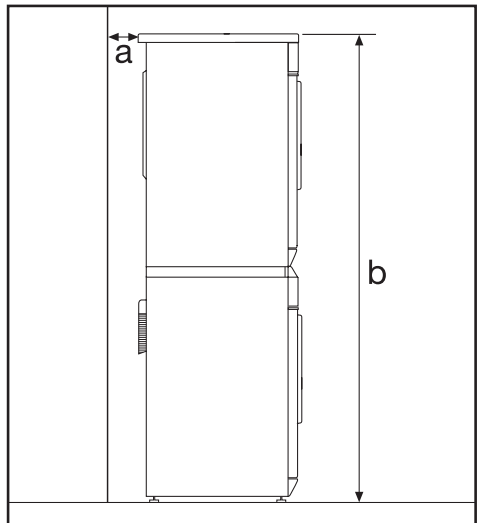
All parts marked\* are available from the Miele Spare Parts or Sales Department.

The fitting of cover plates and stacking kits must only be undertaken by qualified and competent persons, in accordance with the instructions supplied with the kit.

## Washer and Dryer stack

A Miele tumble dryer can be stacked with the washing machine. A stacking kit\* is necessary and can be purchased from the Miele Spare Parts Department.

### Please note



**a** Safety distance to wall:  
at least 2 cm

**b** Height: Stacking kit with  
pull-out shelf: approx. 169 cm  
stacking kit without  
pull-out shelf: approx. 170 cm

# Installation and connection

---

## Connection to the water supply

### The Waterproof system

#### Function

At the heart of this leak protection system there is an electric **safety valve**, which works like an automatic stopcock.

The **Miele Waterproof system** protects from water damage in the following cases:

- Protection in the event of a leaking machine.

Any leaking water is collected in a sump in the base of the appliance. A float switch switches off the safety valve electrically, no more water will flow into the machine. Water in the suds container is pumped away.

- Protection in the event of a leaking water inlet hose.

Leaking water is fed into the sump through the protective covering which surrounds the inlet hose as a “second skin”. The float switch switches off the water supply.

### Fitting the Waterproof system

The machine should be connected to a mains water supply in accordance with standard regulations. The German authorities do not require it to have a non-return valve as the washing machine has been designed to comply with DVGW regulations (German Association of Gas and Water Engineers, see data plate).

The machine is designed to operate with a minimum flow pressure of 1 bar. There is a minimum flow pressure of 1 bar if 5 litres of water flow into a suitable container in 15 seconds.

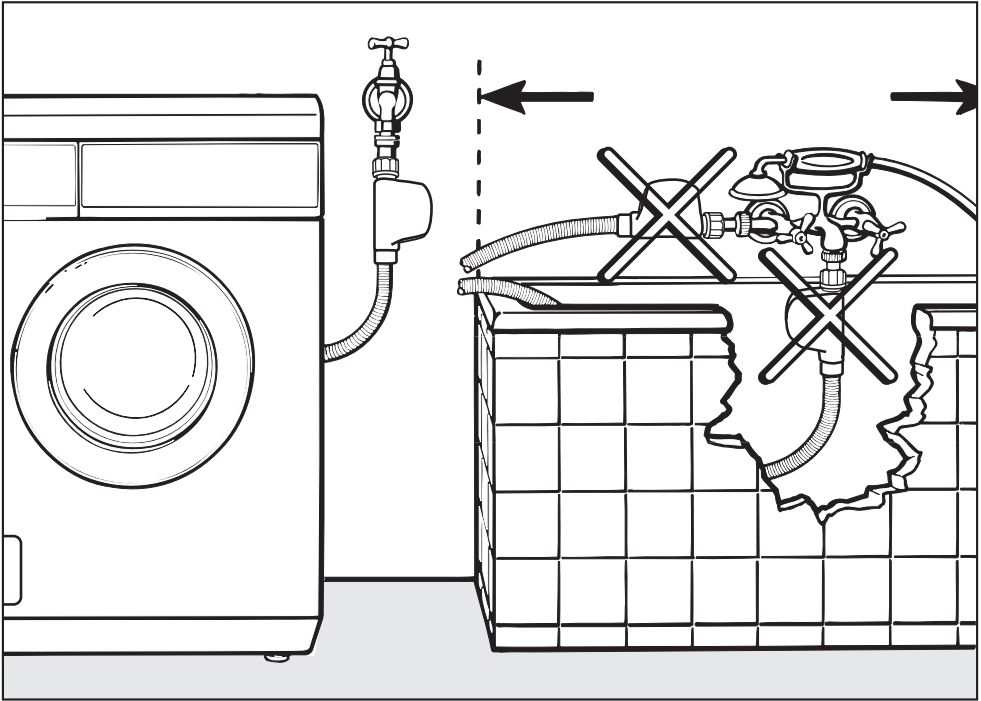
The static water pressure must not exceed 10 bar. If it is higher than 10 bar it is essential to fit a reducer valve.

Connection to the mains water supply should incorporate a mains stopcock with 3/4” thread. The stopcock should be fitted by a qualified plumber.

The connection point is subject to mains water pressure. Turn on the stopcock slowly and check for leaks. Correct the position of the washer and union if appropriate.

This appliance is not suitable for connection to hot water.

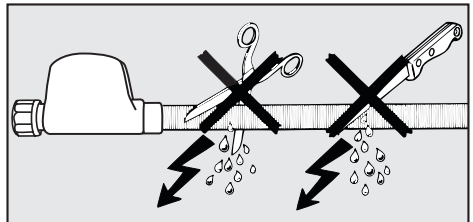
## Installation and connection



The plastic casing of the water connection contains an electric component. The Waterproof system must only be connected to its own stopcock. It must not be connected to mixer taps or similar and must not be fitted in areas where there is the risk of water or other liquids reaching it.



**Do not dip into any liquid.**



**The protective sleeve of the hose must not be damaged.**

# Installation and connection

---

## Maintenance

If you intend to unscrew the Waterproof system unit from the mains water supply it is essential that the machine is first disconnected from the electricity supply.

Only use a **Miele Waterproof system** should you ever need a replacement or extension. These are tested to withstand pressure of at least 70 bar.

In order to protect the water inlet valves the dirt filter in the solenoid safety valve connection must not be removed.

## Accessories

Should the distance between the inlet and the machine be greater than 1.5 metres, a 1.5 metre long (metal) extension hose is available from your Miele dealer or the Miele Spare Parts Department as an optional extra.

This hose is tested to withstand pressures of up to 140 bar and can be used as a flexible extension to the water supply.

## Connection to the drainage system

The machine drains via a drain pump with a delivery head of 1 metre\*.

The drain hose is 1.5 m long. It must not be kinked as this restricts drainage. The swivel elbow at the end of the hose can be turned in either direction, or can be detached if required, with a sharp twist and pull.

\* For a delivery head of more than 1 m (up to a maximum of 1.8 m) a second duo-drain pump is available with the corresponding kit from the Miele Spare Parts Department or your Miele Dealer.

## Drain hose connection:

- Direct into a sink: Hook the hose over the edge and secure. Make sure that the water can flow freely to avoid flooding and to prevent water from being sucked back into the machine.
- Connected to a floor gully.
- Connected to a standpipe.
- Connected to a plastic drain pipe with a rubber nipple. There is no need to use a non-return valve.

If required, the drain hose can be extended to a length of 5 m. The necessary parts can be purchased from the Miele Spare Parts Department or your Miele dealer.

# Installation and connection

---

## Electrical connection U.K.

All electrical work should be carried out only by a suitably qualified and competent person, in strict accordance with national and local safety regulations.

The appliance is supplied with a mains cable with moulded plug for connection to a 230-240V mains supply. The voltage, rated load and fuse rating are given on the data plate. Please ensure these match the household mains supply.

Connection should be made via a fused plug and suitable switched socket which is easily accessible after installation.

For extra safety it is advisable to install a residual current device (RCD), with a trip current of 30 mA (in accordance with DIN VDE 0664, VDE 0100 Section 739).

Do not connect via an extension lead.

### Important

The wires in the mains lead are coloured in accordance with the following code:

Green/yellow = earth

Blue = neutral

Brown = live

Where it is necessary to change plugs, if the colours of the wires in the mains lead of this appliance do not correspond with the coloured markings identifying the terminals of your plug, proceed as follows:

The wire which is coloured green and yellow must be connected to the terminal in the plug which is marked with the letter E or by the earth symbol  $\perp$  or coloured green, or green and yellow.

The wire which is coloured blue must be connected to the terminal in the plug which is marked with the letter N or coloured black.

The wire which is coloured brown must be connected to the terminal in the plug which is marked with the letter L or coloured red.

### **WARNING: THIS APPLIANCE MUST BE EARTHED**

Ensure power is not supplied to the appliance while installation work is being carried out.

## **Non-rewireable plugs BS 1363**

If this machine is fitted with a non-rewireable plug, the following information applies:

If the socket outlets are not suitable for the plug supplied with the product, it must be cut off and an appropriate plug fitted. The fuse carrier and fuse should be removed from the old plug and disposed of.

The plug cut from the flexible cord should then be disposed of and on no account be inserted into any socket elsewhere in the house (electric shock hazard).

The fuse cover must be refitted when changing the fuse, and if the fuse cover is lost, the plug must not be used until a suitable replacement is obtained. The colour of the correct replacement cover is that of the coloured insert in the base of the plug, or the colour that is embossed in words on the base of the plug (as applicable to the design of plug fitted).

Replacement fuses should be ASTA approved to BS 1362 and have the correct rating. Replacement fuse covers may be purchased from your local electrical supplier or Service agent.

# Consumption data

Programme (without any additional options or programmable functions)	Load	Consumption data			
		Energy in kWh	Water in litres	Programme time	
				normal	Short
<b>COTTONS</b>					
95°C	5.0 kg	1.70	49	1 hr 54 mins	1 hr 22 mins
60°C <sup>1)</sup>	5.0 kg	0.95	49	1 hr 57 mins	1 hr 13 mins
40°C	5.0 kg	0.50	49	1 hr 57 mins	1 hr 03 mins
<b>MINIMUM IRON</b>					
40°C	2.5 kg	0.45	58	1 hr 22 mins	47 mins
<b>DELICATES</b>					
30°C	1.0 kg	0.35	65	57 mins	45 mins
<b>Silks</b> 🧺					
30°C	1.0 kg	0.25	39	37 mins	27 mins
<b>WOOLLENS</b> 🧺					
30°C	2.0 kg	0.23	35	40 mins	

<sup>1)</sup> EN 60456 test programme

Consumption data can vary from the nominal values given depending on water pressure, water hardness, water inlet temperature, room temperature, type and volume of load, fluctuations in the electricity supply and any additional options selected.

N.B.

Consumption data obtained from a machine tested in Germany.



## Technical data

---

Height	85 cm
Width	59.5 cm
Depth	58.0 cm
Depth with door open	94.5 cm
Weight	94 kg
Maximum floor load	1600 Newton (approx. 160 kg)
Capacity	5 kg dry laundry
Voltage	see data plate
Rated load	see data plate
Fuse rating	see data plate
Consumption data	see "Consumption data"
Water flow pressure min.	1 bar (100 Pa)
Water flow pressure max.	10 bar (1000 Pa)
Drain pump head max.	1 m
Drain pump length max.	5 m
Test certificates awarded	Radio/TV suppression, VDE







United Kingdom  
Miele Co. Ltd., Fairacres, Marcham Road, Abingdon, Oxon, OX14 1TW  
tel. Abingdon (01235) 554455 - fax (01235) 554477  
Service Office, tel. Abingdon (01235) 554466  
Internet: [www.miele.co.uk](http://www.miele.co.uk)

## Free Manuals Download Website

<http://myh66.com>

<http://usermanuals.us>

<http://www.somanuals.com>

<http://www.4manuals.cc>

<http://www.manual-lib.com>

<http://www.404manual.com>

<http://www.luxmanual.com>

<http://aubethermostatmanual.com>

Golf course search by state

<http://golfingnear.com>

Email search by domain

<http://emailbydomain.com>

Auto manuals search

<http://auto.somanuals.com>

TV manuals search

<http://tv.somanuals.com>