

TVMini 2

User Guide



 **Miglia**

Revision 1.0
(c) 2007, HDMI Ltd

Table of contents

Introduction and Overview of TVMini 2	3
Introduction and System requirements	3
Overview of TVMini 2	4
Installing and Using TVMini 2 and The Tube	4
Connecting TVMini 2	5
Installing The Tube	5
Initial setup for The Tube	6
Warranty agreement	8

Introduction and Overview of TVMini 2

Introduction

Thank you for choosing TVMini2™ from Miglia. TVMini2™ lets you watch, pause, rewind and skip forward live digital terrestrial TV on your Mac and enables you record TV shows straight to your hard drive. TVMini2™ supports the DVB-T standard, called Freeview in the UK and TNT in France

System requirements:

- Mac with built-in USB 2.0 connectivity
 - G4/1.5 GHz or faster, G5, Intel Core processor
 - 256 MB of RAM
 - 50 MB Free hard drive space.
 - Mac OS X 10.4.x, 10.5.x
 - QuickTime 7x
-
- Area covered by DVB-T signals

Package contents

- TVMini2
- CD-ROM with The Tube software and user guide (pdf)
- Mini-Antenna
- Quick Install Guide with Software Activation Key

User Guide Overview

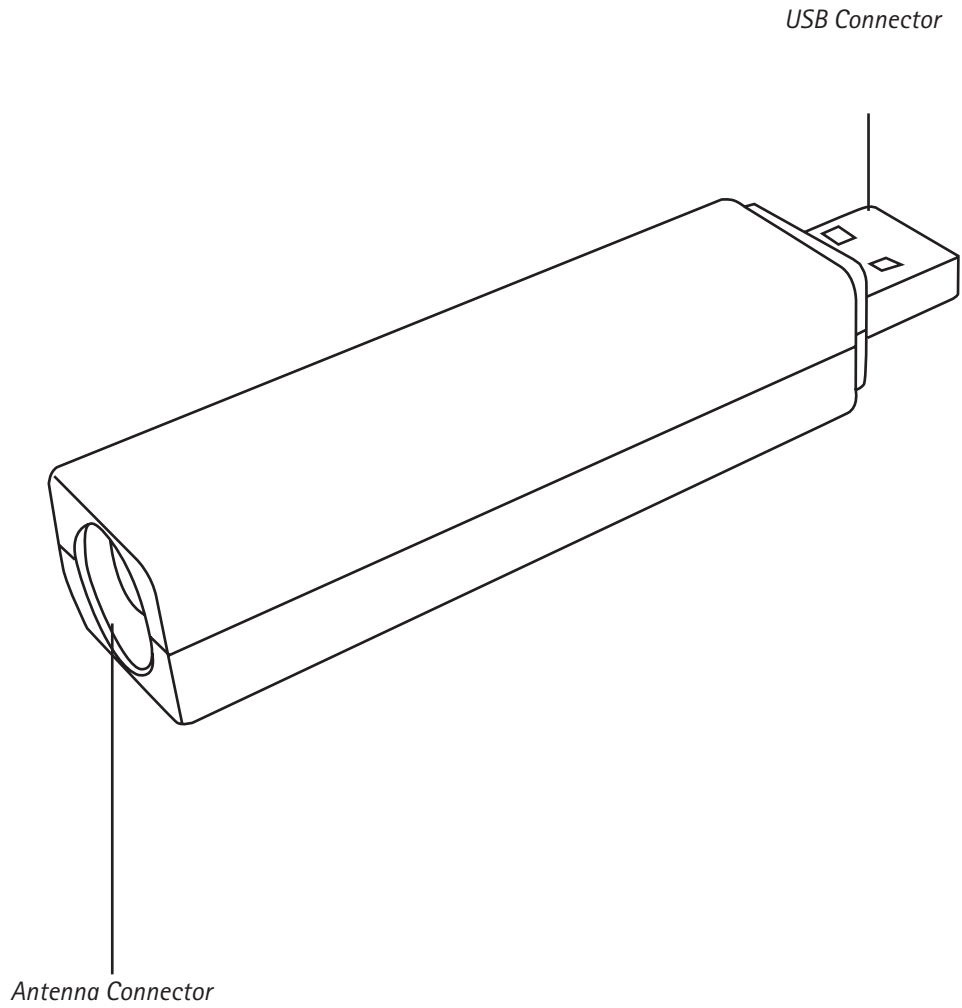
This User Guide will guide you through the hardware and software installation. A detailed description of The Tube's functionality is available on a separate pdf located on the CD-ROM.

Technical Support

Should you ever have any questions regarding your product, please visit <http://www.miglia.com/Support> Select TVMini2 in the list of products and you will get access to the Frequently Asked Questions, updated product manuals as well as links to technical support contact forms.

Overview of TVMini2

TVMini2 has a single connector at the back of the unit for the antenna connection. The front of the unit has a USB Type A connector.



Installing and using TVMini2 and The Tube software

I. Connecting TVMini2

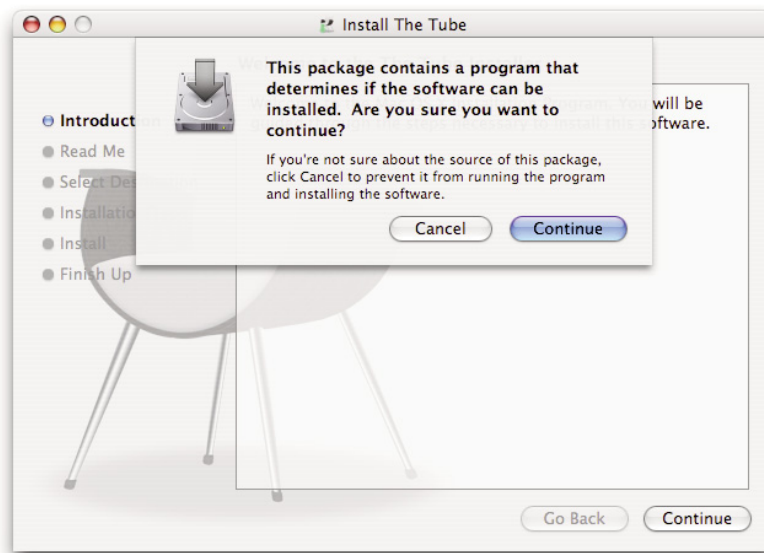
1. Connect TVMini2 to a free USB 2.0 port of your Mac.
2. Connect the mini-antenna to the antenna connector.

Note: The mini-antenna will only work in areas where DVB-T reception is good. You should not have any difficulties receiving the full range of TV stations if you live in Germany or northern European countries. In the UK and France, it is strongly recommended to place the antenna near a window, as 'indoor mobility' is not yet implemented.

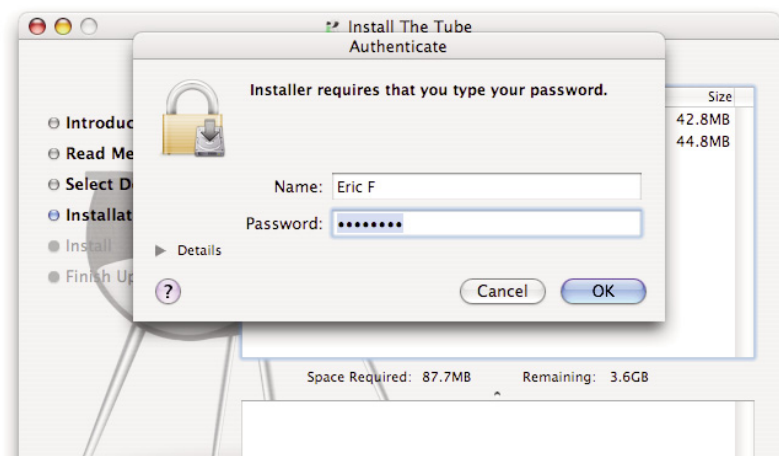
If you do not receive any channels when using the mini-antenna, connect TVMini2 to a roof-top antenna. You cannot receive TV signals from CableTV or analogue signals with TVMini2.

II. Installing The Tube

1. Insert the The Tube CD-ROM in your CD/DVD Drive
2. Double-click on 'Install The Tube' to launch the installation programme.
3. Click "Continue" when the alert message informing you that the installation package contains a program that verifies if the software can be installed.



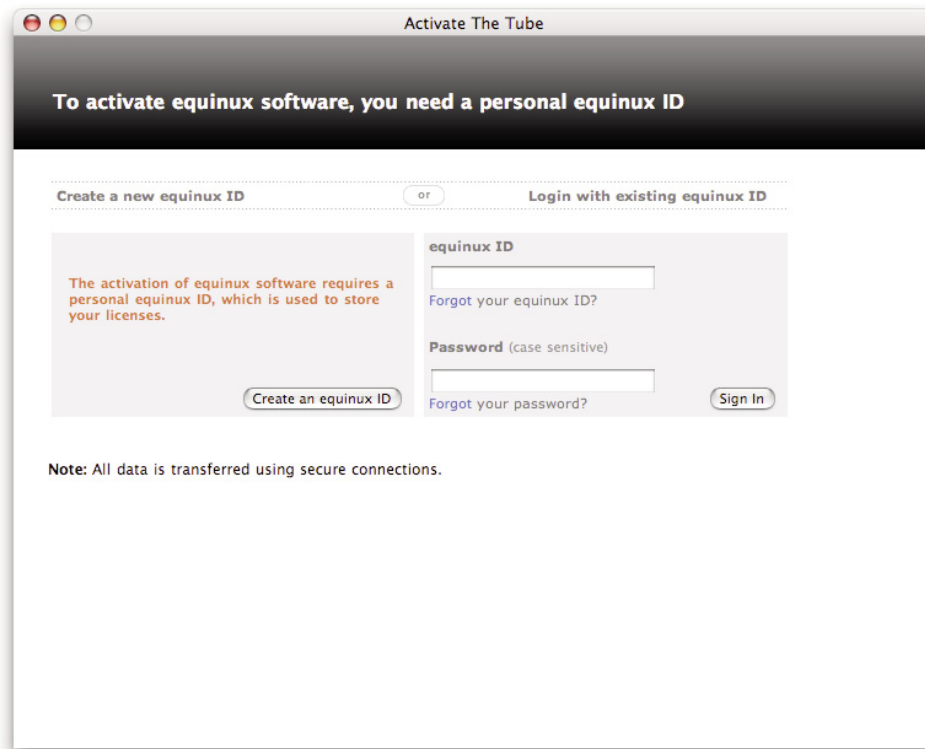
4. When asked, select the destination Hard Drive and Folder where you wish to install The Tube. The default selection made by the installer is recommended. Then click "Continue"
5. On the next screen, click "Install". The installation program will then ask you for your administrator password. This is your normal Mac OS X password you created when you first used Mac OS X and not the software activation code.



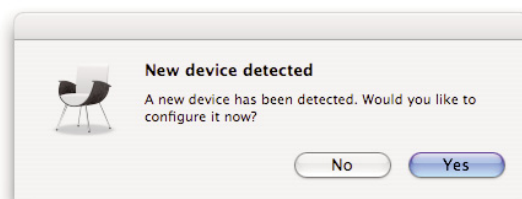
6. Once the installation is finished, you can quit the Installer and eject the CD-ROM. The Tube software will normally be located on your hard drive, in the Applications folder.

III. Initial setup for The Tube

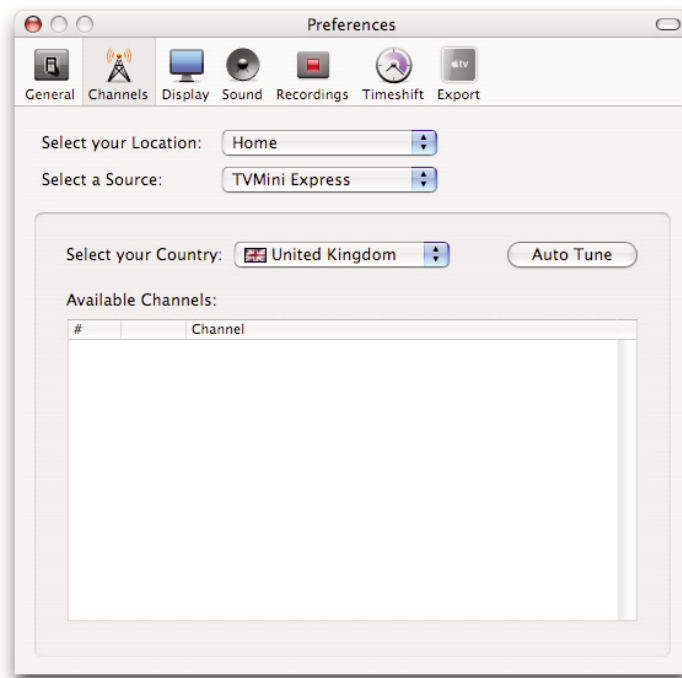
1. Double-click on the application The Tube located in the Applications folder. Make sure your TV Device is connected to the USB bus.
2. When required, please enter the software activation key located on the QuickStart Guide. You will most likely first have to create a user account



3. Once the software is activated, proceed to the next step. The Tube will automatically detect the presence of your Miglia TV device. Click "Yes" to configure the device.



4. Select your country in the Tuning panel and click on Auto-Tune.



5. Once the Auto-tune function has found channels, click OK and enjoy your new TV!

For additional information on how to use The Tube software, please refer to the full The Tube user guide located on the CD-ROM.

Warranty Agreement

Hardware Products:

Miglia warrants your hardware product against any defect in material and workmanship, under normal use, for a period of 2 years. The warranty becomes effective from the date of purchase by the end user.

If the product is found to be defective within the warranty period, Miglia will, at its sole option, repair or replace the defective product.

Miglia will not, under any circumstances, be liable for direct, special or consequential damages such as, but not limited to, damage or loss of property or equipment, loss of profits or revenues, cost of replacement goods, or expense or inconvenience caused by service interruptions.

This warranty is void if:

- The product was operated or stored in abnormal use or maintenance conditions.
- The product was repaired, modified or altered or undergone attempted repair by non-authorized personnel, unless Miglia has authorized such repair, modification or alteration.
- The product was damaged, abused or misused
- The product was installed without following the supplied installation instructions.
- The serial number of the product is defaced, modified or missing.
- The "Warranty Void" seal on the casing has been modified, removed or broken.

The decision of Miglia shall be final and binding with regards to the condition of product return and eligibility of repair or replacement.

Software Products:

Software Products are covered specifically for defective media or manuals only, for a 14 day period. The software license you acquired cannot under any circumstance be transferred back to Miglia. Miglia does not warrant or represent that all third-party software or hardware will function error-free when used in conjunction with its products.

How to obtain warranty service:

To obtain warranty service, within 30 days of the date of purchase, please contact the retailer from whom you made your purchase. To obtain warranty service, after 30 days of the date of purchase contact Miglia's Technical Support Service. A proof of purchase will be required to confirm that the product is still under warranty. Should Miglia's Technical Support diagnose a fault on your product, a Return to Manufacturer Authorisation (RMA) number will be issued to you.

All products returned to Miglia must be securely packaged in their original box and shipped at the customer's cost inclusive of any requested documentation. Return shipment of repaired or replaced product will be covered by Miglia.

Any product returned without an RMA number issued by Miglia's Technical Support Service will be refused.

Free Manuals Download Website

<http://myh66.com>

<http://usermanuals.us>

<http://www.somanuals.com>

<http://www.4manuals.cc>

<http://www.manual-lib.com>

<http://www.404manual.com>

<http://www.luxmanual.com>

<http://aubethermostatmanual.com>

Golf course search by state

<http://golfingnear.com>

Email search by domain

<http://emailbydomain.com>

Auto manuals search

<http://auto.somanuals.com>

TV manuals search

<http://tv.somanuals.com>