



**OPERATOR'S MANUAL  
MANUEL de L'UTILISATEUR  
MANUAL del OPERADOR**

**Catalog No.  
No de Cat.  
Catálogo No.**

**5314-21**



**5318-21**



**1-1/2" HEAVY-DUTY ROTARY HAMMERS  
EXTRA ROBUSTES MARTEAUX ROTATIFS 40 mm (1-1/2")  
MARTILLOS ROTATORIOS HEAVY-DUTY 40 mm (1-1/2")**

***TO REDUCE THE RISK OF INJURY, USER MUST READ AND UNDERSTAND OPERATOR'S MANUAL.***

***AFIN DE RÉDUIRE LE RISQUE DE BLESSURES, L'UTILISATEUR DOIT LIRE ET BIEN COMPRENDRE LE MANUEL DE L'UTILISATEUR.***

***PARA REDUCIR EL RIESGO DE LESIONES, EL USUARIO DEBE LEER Y ENTENDER EL MANUAL DEL OPERADOR.***

## GENERAL SAFETY RULES



### WARNING!

#### READ AND UNDERSTAND ALL INSTRUCTIONS

Failure to follow all instructions listed below, may result in electric shock, fire and/or serious personal injury.

#### SAVE THESE INSTRUCTIONS

### WORK AREA

1. **Keep your work area clean and well lit.** Cluttered benches and dark areas invite accidents.
2. **Do not operate power tools in explosive atmospheres, such as in the presence of flammable liquids, gases, or dust.** Power tools create sparks which may ignite the dust or fumes.
3. **Keep bystanders, children, and visitors away while operating a power tool.** Distractions can cause you to lose control. Protect others in the work area from debris such as chips and sparks. Provide barriers or shields as needed.

### ELECTRICAL SAFETY

4. **Grounded tools must be plugged into an outlet properly installed and grounded in accordance with all codes and ordinances. Never remove the grounding prong or modify the plug in any way. Do not use any adaptor plugs. Check with a qualified electrician if you are in doubt as to whether the outlet is properly grounded.** If the tools should electrically malfunction or break down, grounding provides a low resistance path to carry electricity away from the user.
5. **Double Insulated tools are equipped with a polarized plug (one blade is wider than the other). This plug will fit in a polarized outlet only one way. If the plug does not fit fully in the outlet, reverse the plug. If it still does not fit, contact a qualified electrician to install a polarized outlet. Do not change the plug in any way.** Double insulation eliminates the need for the three wire grounded power cord and grounded power supply system.
6. **Avoid body contact with grounded surfaces such as pipes, radiators, ranges and refrigerators.** There is an increased risk of electric shock if your body is grounded.
7. **Don't expose power tools to rain or wet conditions.** Water entering a power tool will increase the risk of electric shock.
8. **Do not abuse the cord. Never use the cord to carry the tools or pull the plug from an outlet. Keep cord away from heat, oil, sharp edges or moving parts. Replace damaged cords immediately.** Damaged cords increase the risk of electric shock.
9. **When operating a power tool outside, use an outdoor extension cord marked "W-A" or "W".** These cords are rated for outdoor use and reduce the risk of electric shock.
10. **Stay alert, watch what you are doing, and use common sense**

### PERSONAL SAFETY

when operating a power tool. Do not use tool while tired or under the influence of drugs, alcohol, or medication. A moment of inattention while operating power tools may result in serious personal injury.

11. **Dress properly. Do not wear loose clothing or jewelry. Contain long hair. Keep your hair, clothing, and gloves away from moving parts.** Loose clothes, jewelry, or long hair can be caught in moving parts.

12. **Avoid accidental starting. Be sure switch is off before plugging in.** Carrying tools with your finger on the switch or plugging in tools with the switch on invites accidents.
13. **Remove adjusting keys or wrenches before turning the tool on.** A wrench or a key that is left attached to a rotating part of the tool may result in personal injury.
14. **Do not overreach. Keep proper footing and balance at all times.** Proper footing and balance enables better control of the tool in unexpected situations.
15. **Use safety equipment. Always wear eye protection.** Dust mask, non-skid safety shoes, hard hat, or hearing protection must be used for appropriate conditions.

### TOOL USE AND CARE

16. **Use clamps or other practical way to secure and support the workpiece to a stable platform.** Holding the work by hand or against your body is unstable and may lead to loss of control.
17. **Do not force tool. Use the correct tool for your application.** The correct tool will do the job better and safer at the rate for which it is designed.
18. **Do not use tool if switch does not turn it on or off.** Any tool that cannot be controlled with the switch is dangerous and must be repaired.
19. **Disconnect the plug from the power source before making any adjustments, changing accessories, or storing the tool.** Such preventive safety measures reduce the risk of starting the tool accidentally.
20. **Store idle tools out of reach of children and other untrained persons.** Tools are dangerous in the hands of untrained users.
21. **Maintain tools with care. Keep cutting tools sharp and clean.** Properly maintained tools with sharp cutting edge are less likely to bind and are easier to control. Do not use a damaged tool. Tag damaged tools "Do not use" until repaired.
22. **Check for misalignment or binding of moving parts, breakage of parts, and any other condition that may affect the tool's operation. If damaged, have the tool serviced before using.** Many accidents are caused by poorly maintained tools.
23. **Use only accessories that are recommended by the manufacturer for your model.** Accessories that may be suitable for one tool, may become hazardous when used on another tool.







### SERVICE

24. **Tool service must be performed only by qualified repair personnel.** Service or maintenance performed by unqualified personnel could result in a risk of injury.
25. **When servicing a tool, use only identical replacement parts. Follow instructions in the Maintenance section of this manual.** Use of unauthorized parts or failure to follow Maintenance Instructions may create a risk of electric shock or injury.

## SPECIFIC SAFETY RULES

1. **Hold tool by insulated gripping surfaces when performing an operation where the cutting tool may contact hidden wiring or its own cord.** Contact with a "live" wire will make exposed metal parts of the tool "live" and shock the operator.
2. **Wear ear protectors when using the tool for extended periods.** Prolonged exposure to high intensity noise can cause hearing loss.
3. **Keep hands away from all cutting edges and moving parts.**
4. **Maintain labels and nameplates.** These carry important information. If unreadable or missing, contact a *MILWAUKEE* service facility for a free replacement.
5. **WARNING!** Some dust created by power sanding, sawing, grinding, drilling, and other construction activities contains chemicals known to cause cancer, birth defects or other reproductive harm. Some examples of these chemicals are:
  - lead from lead-based paint
  - crystalline silica from bricks and cement and other masonry products, and
  - arsenic and chromium from chemically-treated lumber.

Your risk from these exposures varies, depending on how often you do this type of work. To reduce your exposure to these chemicals: work in a well ventilated area, and work with approved safety equipment, such as those dust masks that are specially designed to filter out microscopic particles.

Symbology		Specifications								
	Double Insulated	<b>Cat. No.</b>	<b>Volts AC Only</b>	<b>Amps</b>	<b>Load/ No Load RPM</b>	<b>Load/ No Load Blows per Minute</b>	<b>Percussion Carbide Tipped Bits</b>	<b>Percussion Core Bits</b>	<b>Self-Drilling Anchors</b>	<b>Chisels</b>
	Alternating Current	5314-21	120	11	385*	3400*	1-1/2"	6"	5/8"	See p. 8
	Amps	5318-21	120	11	385*	3400*	1-1/2"	6"	5/8"	See p. 8
$n_0$ <u>xxxx</u> /min.	No Load Revolutions per Minute (RPM)	* <i>EFCC</i> - The Electronic Feedback Control Circuit maintains constant speed under varying load conditions.								
<b>BPM</b>	Blows per Minute (BPM)									
	Underwriters Laboratories, Inc.									
	Canadian Standards Association									
	Mexican Approvals Marking									

## FUNCTIONAL DESCRIPTION

1. Stop rotation knob  
(Cat. No. 5314-21 only)
2. Handle
3. Trigger
4. Side Handle
4. Dust shield
5. Bit release collar



**Cat. No. 5314-21**

## GROUNDING



### WARNING!

**Improperly connecting the grounding wire can result in the risk of electric shock. Check with a qualified electrician if you are in doubt as to whether the outlet is properly grounded. Do not modify the plug provided with the tool. Never remove the grounding prong from the plug. Do not use the tool if the cord or plug is damaged. If damaged, have it repaired by a MILWAUKEE service facility before use. If the plug will not fit the outlet, have a proper outlet installed by a qualified electrician.**

### Grounded Tools:

#### Tools with Three Prong Plugs

Tools marked "Grounding Required" have a three wire cord and three prong grounding plug. The plug must be connected to a properly grounded outlet (See Figure A). If the tool should electrically malfunction or break down, grounding provides a low resistance path to carry electricity away from the user, reducing the risk of electric shock.

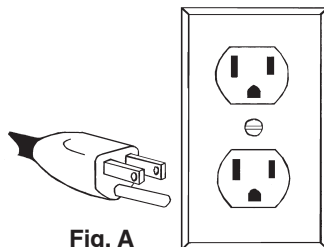


Fig. A

The grounding prong in the plug is connected through the green wire inside the cord to the grounding system in the tool. The green wire in the cord must be the only wire connected to the tool's grounding system and must never be attached to an electrically "live" terminal.

Your tool must be plugged into an appropriate outlet, properly installed and grounded in accordance with all codes and ordinances. The plug and outlet should look like those in Figure A.

### Double Insulated Tools:

#### Tools with Two Prong Plugs

Tools marked "Double Insulated" do not require grounding. They have a special double insulation system which satisfies OSHA requirements and complies with the applicable standards of Underwriters Laboratories, Inc., the Canadian Standard Association and the National Electrical Code. Double Insulated tools may be used in either of the 120 volt outlets shown in Figures B and C.

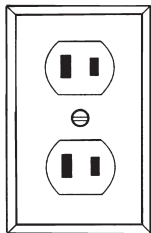


Fig. B

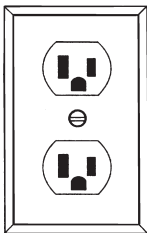


Fig. C

## EXTENSION CORDS

Grounded tools require a three wire extension cord. Double insulated tools can use either a two or three wire extension cord. As the distance from the supply outlet increases, you must use a heavier gauge extension cord. Using extension cords with inadequately sized wire causes a serious drop in voltage, resulting in loss of power and possible tool damage. Refer to the table shown to determine the required minimum wire size.

The smaller the gauge number of the wire, the greater the capacity of the cord. For example, a 14 gauge cord can carry a higher current than a 16 gauge cord. When using more than one extension cord to make up the total length, be sure each cord contains at least the minimum wire size required. If you are using one extension cord for more than one tool, add the nameplate amperes and use the sum to determine the required minimum wire size.

### Guidelines for Using Extension Cords

- If you are using an extension cord outdoors, be sure it is marked with the suffix "W-A" ("W" in Canada) to indicate that it is acceptable for outdoor use.
- Be sure your extension cord is properly wired and in good electrical condition. Always replace a damaged extension cord or have it repaired by a qualified person before using it.
- Protect your extension cords from sharp objects, excessive heat and damp or wet areas.

### Recommended Minimum Wire Gauge for Extension Cords\*

Nameplate Amperes	Extension Cord Length					
	25'	50'	75'	100'	150'	200'
0 - 5	16	16	16	14	12	12
5.1 - 8	16	16	14	12	10	--
8.1 - 12	14	14	12	10	--	--
12.1 - 15	12	12	10	10	--	--
15.1 - 20	10	10	10	--	--	--

\* Based on limiting the line voltage drop to five volts at 150% of the rated amperes.

**READ AND SAVE ALL INSTRUCTIONS  
FOR FUTURE USE.**

## TOOL ASSEMBLY



### WARNING!

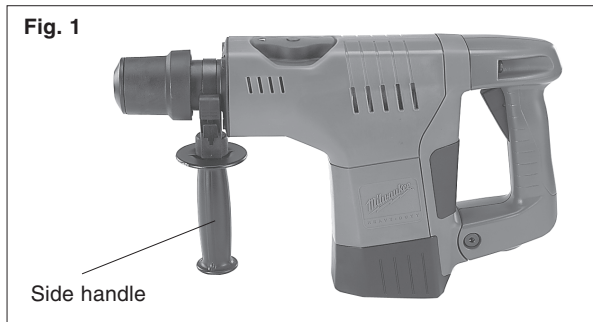
To reduce the risk of injury, always unplug tool before attaching or removing accessories or making adjustments. Use only specifically recommended accessories. Others may be hazardous.



### WARNING!

To reduce the risk of injury, always use a side handle when using this tool. Always brace or hold securely.

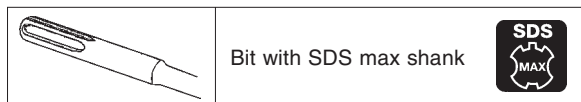
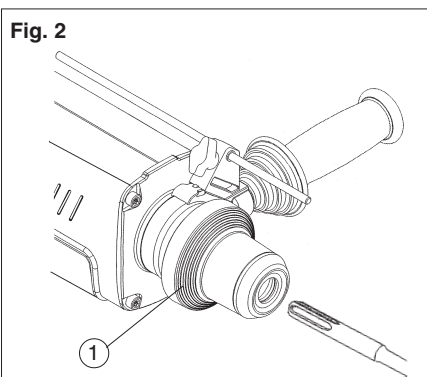
### Adjusting the Side Handle (Fig. 1)



1. Loosen the side handle slightly by unscrewing it counter-clockwise.
2. Rotate the side handle to the required angle.
3. Tighten the side handle securely.

### Installing Bits and Chisels (Fig. 2) SDS Max Drive System (Cat. No. 5314-21)

The 5314-21 Rotary Hammer uses SDS max drill bits and hammer steel chisels.

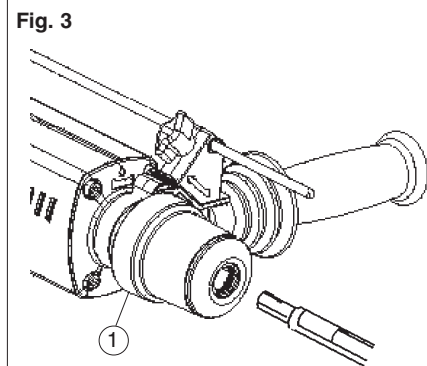


1. Insert the bit or chisel into the nose of the tool.
2. Rotate bit slowly until it aligns with the locking mechanism.
3. Push bit into tool until it locks.
4. Check to see that bit is locked by tugging on it.
5. To remove bits and chisels, pull bit release collar (1) toward the rear of tool and remove bit.

**NOTE:** Use caution when handling hot bits and chisels.

### Installing Bits and Chisels (Fig. 3) Spline Drive System (Cat. No. 5318-21)

The 5318-21 Rotary Hammer uses carbide bits with spline shanks and hammer steel chisels with round hex shanks.



	Rotary bit with spline shank	
	Chisel with round hex shank	

1. Insert the bit or chisel into the nose of the tool.  
If you are using a rotary bit, make sure that the splines on the shank engage with the splines inside the nose of the tool.  
If you are using a chisel, make sure that the notch in the shank faces up (Fig. 3).
2. Push bit into tool until it locks.
3. Check to see that bit is locked by tugging on it.
4. To remove bits and chisels, pull bit release collar (1) toward the rear of tool and remove bit.

**NOTE:** Use caution when handling hot bits and chisels.



## OPERATION

These rotary hammers have an Electronic Feedback Control Circuit (EFCC) which helps improve the operation and life of the tool.

### Soft Start

The Soft-Start feature reduces the amount of torque reaction to the tool and the user. This feature gradually increases the motor speed up from zero to the speed set by the speed control dial.

### Feedback Control

The electronic speed control system allows the tool to maintain constant speed between no-load and load conditions.

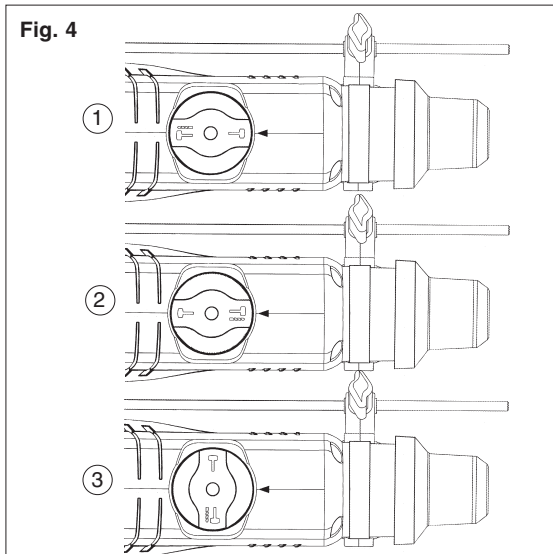


**WARNING!**

To reduce the risk of injury, wear safety goggles or glasses with side shields.

### Selecting Action (Fig. 4) (Cat. No. 5314-21)

The 5314-21 Rotary Hammer features a stop rotation knob. The stop rotation knob may be set for "hammering-only", "hammering-with-rotation", or "chisel adjustment".



1. **Hammering only.** For use with "hammering-only" accessories. Use this setting (1) for chiseling or setting self-drilling anchors.
2. **Hammering with rotation.** Use this setting (2) for drilling holes with drill bits.
3. **Chisel adjustment.** Use this setting (3) to adjust the angle of the chisel blade in relation to the tool. With a chisel mounted in the tool:
  - turn the knob to this setting
  - twist the chisel to the desired angle
  - set the tool for hammering only

**NOTE:** To engage the hammering mechanism, maintain pressure on the bit. When the pressure on the bit is released, the hammering will stop.



**WARNING!**

To reduce the risk of injury, when using chisels or (other hammering-only accessories) in the 5314-21 Rotary Hammer, set the tool in the "hammering-only" position.

### Hammering Only SDS Max Drive System (Cat. No. 5314-21)

When using chisels (or other "hammering-only" accessories) in the 5314-21 Rotary Hammer, the stop rotation knob **MUST** be set in the "hammer-only" setting. The rotational drive mechanism in the 5314-21 engages with the chisel (or other "hammering-only" accessory) when it is mounted into the tool and the stop rotation knob is set for "hammering-with-rotation".

### Hammering Only Splined Drive System (Cat. No. 5318-21)

When a chisel (or other "hammering-only" accessory) is mounted into the 5318-21 Rotary Hammer, the rotational drive mechanism does not engage with the chisel.

### Starting and Stopping the Tool

1. To **start** the tool, pull trigger.
2. To **stop** the tool, release trigger.

### Cold Starting

If this tool is stored for a long period of time or at cold temperatures, it may not hammer initially because the lubrication has become stiff. To warm up the tool:

1. Insert and lock a bit or chisel into the tool.
2. Turn the tool on, applying force to the bit or chisel against a concrete or wood surface.
3. Turn the tool on and off every few seconds. In a short time, the tool will start hammering. The colder the tool is, the longer it will take to warm it up.

### Hammering or Hammering with Rotation

Position the tool, grasp the handles firmly and pull the trigger.

Always hold the tool securely using both handles and maintain control. Use only enough pressure to hold the tool in place and prevent the tip of the bit from wandering. This tool has been designed to achieve top performance with only moderate pressure. Let the tool do the work.

When drilling deep holes occasionally pull the bit partially out of the hole while the tool is running to help clear dust.

**NOTE:** Do not use water to settle the dust since it will clog the bit flutes and tend to make the bit bind in the hole. If the bit should bind, a built-in, non-adjustable slip clutch prevents the bit from turning. If this occurs, stop the tool, free the bit and begin again.

### Using Rotary Percussion Core Bits (Fig. 5-8)

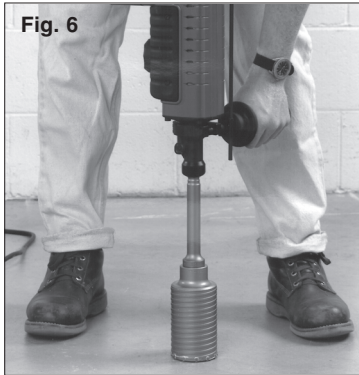
Core bits are useful for drilling large holes for conduit and pipe. *MILWAUKEE* Heavy-Duty Core Bits have heat-treated steel bodies with durable carbide tips. These core bits are specially designed for fast, accurate drilling with combined hammering and rotary action.

1. Clean and lubricate the threads on the adapter and core bit to make later removal easier. Screw the threaded end of the adapter into the rear of the core bit.
2. Push the guide plate onto the pointed end of the center pin. Insert the center pin and guide plate assembly into the core bit. Be sure the small end of the center pin is securely placed into the hole in the center of the core bit (Fig. 5).

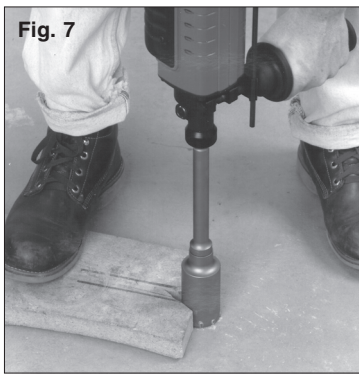
Fig. 5



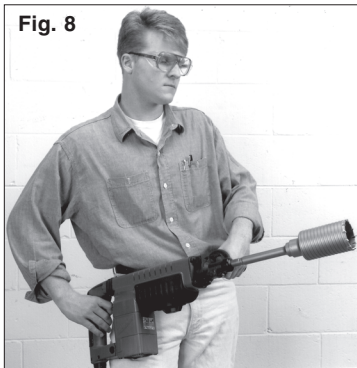
3. Insert the adapter into the nose of the tool as described in "Installing Bits". Set the stop rotation knob to the hammering-with-rotation setting.
4. Press the center pin firmly against your center mark, hold the tool firmly and pull the trigger (Fig. 6).



**NOTE:** If a center pin and guide plate are not available, use a template or notched board to start the hole (Fig. 7).



5. After drilling to about the depth of the core bit teeth, remove the center pin and guide plate from the core bit. Resume drilling.
6. To change the core bit, hold the tool upwards, pointing it away from your body as shown, and run it briefly in forward to loosen the core bit from the adapter (Fig. 8).



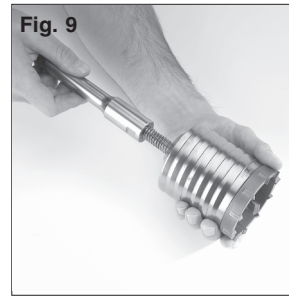
**NOTE:** To make deeper holes, remove the core bit, break and remove the core. Resume drilling.

#### Using LHS Rotary Percussion Core Bits (Fig. 9-12)

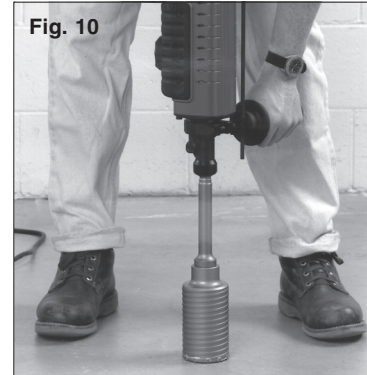
LHS Core Bits are useful for drilling large or long holes in concrete. *MILWAUKEE* Heavy-Duty Core Bits have heat-treated steel bodies with durable carbide tips. These core bits are specially designed for fast, accurate drilling with combined hammering and rotary action.

1. Clean and lubricate the threads on the adapter and core bit to make later removal easier. Screw the threaded end of the centering bit into the core bit (Fig. 9). Thread the adapter shank to the rear of the core bit.

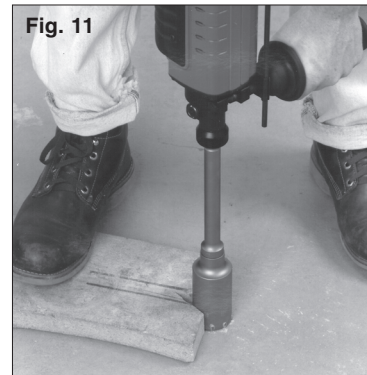
**NOTE:** If using an extension, first thread the adapter shank to the extension. Then thread the core bit to the extension.



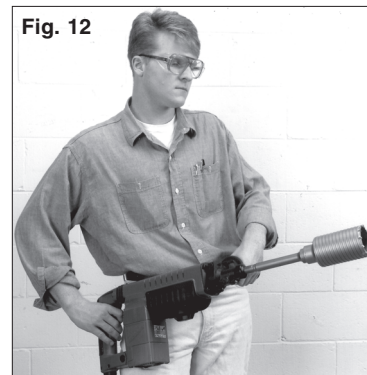
2. Insert the adapter into the nose of the tool as described in "Installing Bits". Set the stop rotation knob to the hammering-with-rotation setting.
3. Press the centering bit firmly against your center mark, hold the tool firmly and pull the trigger (Fig. 10).



**NOTE:** If the 48-20-5099 threaded stud is used, use a template or notched board to start the hole (Fig. 11).



4. To change the core bit, hold the tool upwards, pointing it away from your body as shown, and run it briefly in forward to loosen the core bit from the adapter (Fig. 12).



**NOTE:** To make deeper holes, remove the core bit, break and remove the core. Resume drilling. When drilling long or deep holes, after each inch of penetration pull the bit partially out of the hole while the tool is running, to help clear dust from the bit flutes. Dust can clog the bit flutes and can make the bit bind in the hole. If this occurs, stop the tool, free the bit and begin again.



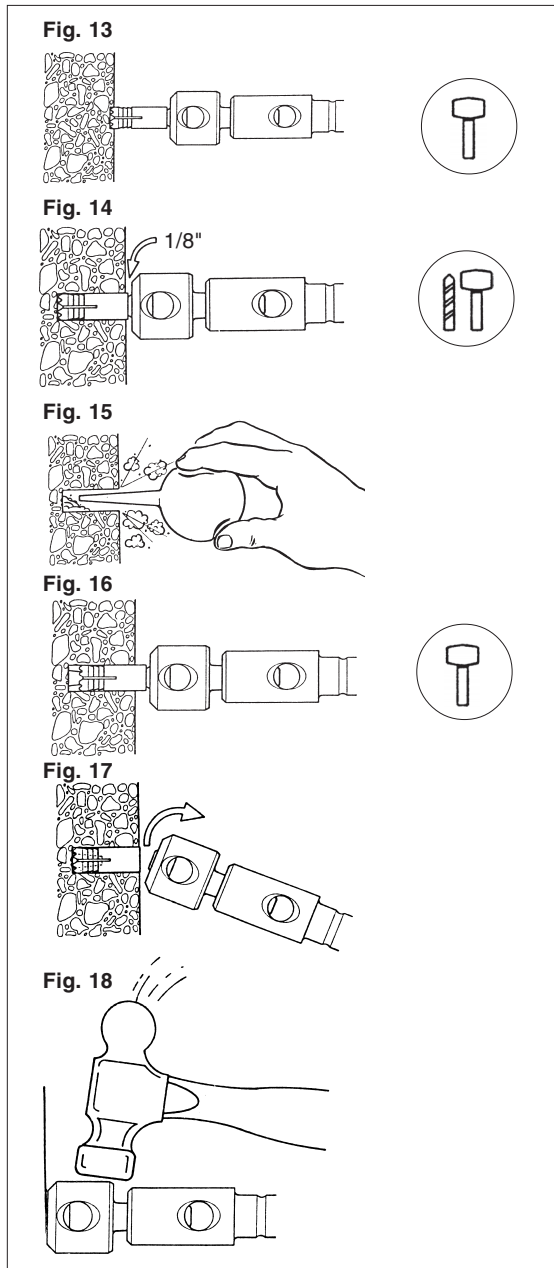
## WARNING!

To reduce the risk of personal injury and damage to the tool or work:

- Always use the “hammering-only” setting to set the anchor. Never use the “hammering-with-rotation” setting to set the anchor.
- Never switch the tool to “hammering-with-rotation” until after the anchor has been set and the tooth anchor chuck has been removed from the anchor.

### Setting Self-Drilling Anchors (Fig. 13-18) (Cat. No. 5314-21 only)

The 5314-21 Rotary Hammer features a stop rotation knob which is helpful for setting self-drilling anchors up to 5/8". MILWAUKEE Tooth Anchor Chucks require a “B” taper adapter.



1. Place the proper size tooth anchor chuck into the “B” taper adapter. Then insert the “B” taper adapter into the tool and lock it into place as described. See “Installing Bits and Chisels”.
2. Insert the anchor into the tooth anchor chuck. Set the stop rotation knob for hammering only. Set the anchor on your mark and hammer until the teeth have penetrated the concrete (Fig. 13).
3. Set the stop rotation knob for hammering with rotation and drill until the chuck is 1/8" above the concrete (Fig. 14).

**NOTE:** It may be necessary to clean dust and cuttings from the anchor several times while drilling the hole.

4. Remove the anchor from the hole while the tool is running. Clean the dust and cuttings from the anchor by pointing it downward and turning the tool on and off several times. Clean the dust out of the hole with a vacuum cleaner or blowout bulb (Fig. 15).
5. Place the expansion plug into the anchor and insert the anchor into the hole. Switch the stop rotation knob back to hammering only, and hammer the anchor firmly into the hole (Fig. 16).
6. Snap the head off of the anchor. To remove the head of anchors up to 5/8", grasp the handles firmly and pull the tool sharply towards you (Fig. 17) or snap off the anchor head with a hand hammer as shown (Fig. 18). The anchor is now ready to receive a bolt.
7. To remove the anchor head wedged in the tooth anchor chuck, use drift pin 48-86-0100.
8. To remove the tooth anchor chuck, remove the “B” taper adapter from the nose of the tool. Insert the drift pin supplied with the adapter into the hole on the side of the “B” taper adapter and strike it sharply to force out the tooth anchor chuck.

### Chiseling and Chipping

MILWAUKEE 1-1/2" Rotary Hammers may be used for chipping and chiseling.

When chiseling, hold the tool at an angle to the workpiece. Work from a corner or close to the edge of the workpiece, breaking off one small area at a time rather than attempting too large an area.

A variety of accessories are available.

	<b>Bushing Tools</b> Used to surface concrete.
	<b>Mortar Cutting Chisels (Seam Tools)</b> For removing old mortar for tuck pointing or caulking.
	<b>Bull Points</b> For demolition work and starting holes in concrete slabs.
	<b>Flat Chisels</b> For edging, chipping or channeling.
	<b>Scaling Chisels</b> For removing weld spatter or scale and cutting straight lines.
	<b>Slotting Chisel</b> For slotting and cutting between drilled holes in concrete and masonry.



## MAINTENANCE



### WARNING!

To reduce the risk of injury, always unplug your tool before performing any maintenance. Never disassemble the tool or try to do any rewiring on the tool's electrical system. Contact a **MILWAUKEE** service facility for ALL repairs.

### Maintaining Tools

Keep your tool in good repair by adopting a regular maintenance program. Before use, examine the general condition of your tool. Inspect guards, switches, tool cord set and extension cord for damage. Check for loose screws, misalignment, binding of moving parts, improper mounting, broken parts and any other condition that may affect its safe operation. If abnormal noise or vibration occurs, turn the tool off immediately and have the problem corrected before further use. Do not use a damaged tool. Tag damaged tools "DO NOT USE" until repaired (see "Repairs").

Under normal conditions, relubrication is not necessary until the motor brushes need to be replaced. After six months to one year, depending on use, return your tool to the nearest **MILWAUKEE** service facility for the following:

- Lubrication
- Brush inspection and replacement
- Mechanical inspection and cleaning (gears, spindles, bearings, housing, etc.)
- Electrical inspection (switch, cord, armature, etc.)
- Testing to assure proper mechanical and electrical operation



### WARNING!

To reduce the risk of injury, electric shock and damage to the tool, never immerse your tool in liquid or allow a liquid to flow inside the tool.

### Cleaning

Clean dust and debris from vents. Keep the tool handles clean, dry and free of oil or grease. Use only mild soap and a damp cloth to clean your tool since certain cleaning agents and solvents are harmful to plastics and other insulated parts. Some of these include: gasoline, turpentine, lacquer thinner, paint thinner, chlorinated cleaning solvents, ammonia and household detergents containing ammonia. Never use flammable or combustible solvents around tools.

### Repairs

If your tool is damaged, return the entire tool to the nearest service center listed on the back cover of this operator's manual.

## ACCESSORIES



### WARNING!

To reduce the risk of injury, always unplug the tool before attaching or removing accessories. Use only specifically recommended accessories. Others may be hazardous.

For a complete listing of accessories refer to your **MILWAUKEE** Electric Tool catalog or go on-line to [www.mil-electric-tool.com](http://www.mil-electric-tool.com). To obtain a catalog, contact your local distributor or a service center listed on the back cover of this operator's manual.

## FIVE YEAR TOOL LIMITED WARRANTY

Every **MILWAUKEE** tool is tested before leaving the factory and is warranted to be free from defects in material and workmanship. **MILWAUKEE** will repair or replace (at **MILWAUKEE**'s discretion), without charge, any tool (including battery chargers) which examination proves to be defective in material or workmanship from five (5) years after the date of purchase. Return the tool and a copy of the purchase receipt or other proof of purchase to a **MILWAUKEE** Factory Service/Sales Support Branch location or **MILWAUKEE** Authorized Service Station, freight pre-paid and insured. This warranty does not cover damage from repairs made or attempted by other than **MILWAUKEE** authorized personnel, abuse, normal wear and tear, lack of maintenance, or accidents.

Battery Packs, Flashlights, and Radios are warranted for one (1) year from the date of purchase.

THE REPAIR AND REPLACEMENT REMEDIES DESCRIBED HEREIN ARE EXCLUSIVE. IN NO EVENT SHALL **MILWAUKEE** BE LIABLE FOR ANY INCIDENTAL, SPECIAL, OR CONSEQUENTIAL DAMAGES, INCLUDING LOSS OF PROFITS.

THIS WARRANTY IS EXCLUSIVE AND IN LIEU OF ALL OTHER WARRANTIES, OR CONDITIONS, WRITTEN OR ORAL, EXPRESSED OR IMPLIED FOR MERCHANTABILITY OR FITNESS FOR PARTICULAR USE OR PURPOSE.

This warranty gives you specific legal rights. You may also have other rights that vary from state to state and province to province. In those states that do not allow the exclusion of implied warranties or limitation of incidental or consequential damages, the above limitations or exclusions may not apply to you. This warranty applies to the United States, Canada, and Mexico only.

## RÈGLES DE SÉCURITÉ GÉNÉRALES



### AVERTISSEMENT!

#### **VOUS DEVEZ LIRE ET COMPRENDRE TOUTES LES INSTRUCTIONS**


Le non-respect, même partiel, des instructions ci-après entraîne un risque de choc électrique, d'incendie et/ou de blessures graves.

#### **CONSERVEZ CES INSTRUCTIONS**

### AIRE DE TRAVAIL

1. **Veillez à ce que l'aire de travail soit propre et bien éclairée.** Le désordre et le manque de lumière favorisent les accidents.
2. **N'utilisez pas d'outils électriques dans une atmosphère explosive, par exemple en présence de liquides, de gaz ou de poussières inflammables.** Les outils électriques créent des étincelles qui pourraient enflammer les poussières ou les vapeurs.
3. **Tenez à distance les curieux, les enfants et les visiteurs pendant que vous travaillez avec un outil électrique.** Ils pourraient vous distraire et vous faire faire une fausse manoeuvre. Installez des barrières ou des écrans protecteurs si nécessaire.

### SÉCURITÉ ÉLECTRIQUE

4. **Les outils mis à la terre doivent être branchés dans une prise de courant correctement installée et mise à la terre conformément à tous les codes et règlements pertinents. Ne modifiez jamais la fiche de quelque façon que ce soit, par exemple en enlevant la broche de mise à la terre. N'utilisez pas d'adaptateur de fiche. Si vous n'êtes pas certain que la prise de courant est correctement mise à la terre, adressez-vous à un électricien qualifié.** En cas de défaillance ou de défectuosité électrique de l'outil, une mise à la terre offre un trajet de faible résistance à l'électricité qui autrement risquerait de traverser l'utilisateur.
5. **Les outils à double isolation sont équipés d'une fiche polarisée (une des lames est plus large que l'autre), qui ne peut se brancher que d'une seule façon dans une prise polarisée. Si la fiche n'entre pas parfaitement dans la prise, inversez sa position ; si elle n'entre toujours pas bien, demandez à un électricien qualifié d'installer une prise de courant polarisée. Ne modifiez pas la fiche de l'outil.** La double isolation  élimine le besoin d'un cordon d'alimentation à trois fils avec mise à la terre ainsi que d'une prise de courant mise à la terre.
6. **Évitez tout contact corporel avec des surfaces mises à la terre (tuyauterie, radiateurs, cuisinières, réfrigérateurs, etc.).** Le risque de choc électrique est plus grand si votre corps est en contact avec la terre.
7. **N'exposez pas les outils électriques à la pluie ou à l'eau.** La présence d'eau dans un outil électrique augmente le risque de choc électrique.
8. **Ne maltraitez pas le cordon. Ne transportez pas l'outil par son cordon et ne débranchez pas la fiche en tirant sur le cordon. N'exposez pas le cordon à la chaleur, à des huiles, à des arêtes vives ou à des pièces en mouvement. Remplacez immédiatement un cordon endommagé.** Un cordon endommagé augmente le risque de choc électrique.
9. **Lorsque vous utilisez un outil électrique à l'extérieur, employez un prolongateur pour l'extérieur marqué « W-A » ou « W ».** Ces cordons sont faits pour être utilisés à l'extérieur et réduisent le risque de choc électrique.

### SÉCURITÉ DES PERSONNES

10. **Restez alerte, concentrez-vous sur votre travail et faites preuve de jugement. N'utilisez pas un outil électrique si vous êtes fatigué ou sous l'influence de drogues, d'alcool ou de médicaments.** Un instant d'inattention suffit pour entraîner des blessures graves.
11. **Habillez-vous convenablement. Ne portez ni vêtements flottants ni bijoux. Confinez les cheveux longs. N'approchez jamais les cheveux, les vêtements ou les gants des pièces en mouvement.** Des vêtements flottants, des bijoux ou des cheveux longs risquent d'être happés par des pièces en mouvement.

12. **Méfiez-vous d'un démarrage accidentel. Avant de brancher l'outil, assurez-vous que son interrupteur est sur ARRÊT.** Le fait de transporter un outil avec le doigt sur la détente ou de brancher un outil dont l'interrupteur est en position MARCHE peut mener tout droit à un accident.
13. **Enlevez les clés de réglage ou de serrage avant de démarrer l'outil.** Une clé laissée dans une pièce tournante de l'outil peut provoquer des blessures.
14. **Ne vous penchez pas trop en avant. Maintenez un bon appui et restez en équilibre en tout temps.** Une bonne stabilité vous permet de mieux réagir à une situation inattendue.
15. **Utilisez des accessoires de sécurité. Portez toujours des lunettes ou une visière.** Selon les conditions, portez aussi un masque antipoussière, des bottes de sécurité antidérapantes, un casque protecteur et/ou un appareil antibruit.

### UTILISATION ET ENTRETIEN DES OUTILS

16. **Immobilisez le matériau sur une surface stable au moyen de brides ou de toute autre façon adéquate.** Le fait de tenir la pièce avec la main ou contre votre corps offre une stabilité insuffisante et peut amener un dérapage de l'outil.
17. **Ne forcez pas l'outil. Utilisez l'outil approprié à la tâche.** L'outil correct fonctionne mieux et de façon plus sécuritaire. Respectez aussi la vitesse de travail qui lui est propre.
18. **N'utilisez pas un outil si son interrupteur est bloqué.** Un outil que vous ne pouvez pas commander par son interrupteur est dangereux et doit être réparé.
19. **Débranchez la fiche de l'outil avant d'effectuer un réglage, de changer d'accessoire ou de ranger l'outil.** De telles mesures préventives de sécurité réduisent le risque de démarrage accidentel de l'outil.
20. **Rangez les outils hors de la portée des enfants et d'autres personnes inexpérimentées.** Les outils sont dangereux dans les mains d'utilisateurs novices.
21. **Prenez soin de bien entretenir les outils. Les outils de coupe doivent être toujours bien affûtés et propres.** Des outils bien entretenus, dont les arêtes sont bien tranchantes, sont moins susceptibles de coincer et plus faciles à diriger. N'utilisez pas un outil défectueux. Fixez-y une étiquette marquée « Hors d'usage » jusqu'à ce qu'il soit réparé.
22. **Soyez attentif à tout désalignement ou coincement des pièces en mouvement, à tout bris ou à toute autre condition préjudiciable au bon fonctionnement de l'outil. Si vous constatez qu'un outil est endommagé, faites-le réparer avant de vous en servir.** De nombreux accidents sont causés par des outils en mauvais état.
23. **N'utilisez que des accessoires que le fabricant recommande pour votre modèle d'outil.** Certains accessoires peuvent convenir à un outil, mais être dangereux avec un autre.

### RÉPARATION









24. **La réparation des outils électriques doit être confiée à un réparateur qualifié.** L'entretien ou la réparation d'un outil électrique par un amateur peut avoir des conséquences graves.
25. **Pour la réparation d'un outil, n'employez que des pièces de rechange d'origine. Suivez les directives données à la section « Réparation » de ce manuel.** L'emploi de pièces non autorisées ou le non-respect des instructions d'entretien peut créer un risque de choc électrique ou de blessures.

## RÈGLES DE SÉCURITÉ PARTICULIÈRES

1. **Tenez l'outil par ses parties isolées lorsqu'il y a risque de contact de l'outil avec des fils sous tension ou même, le cordon de l'outil.** Le contact d'une partie métallique de l'outil avec un fil sous tension comporte un risque de choc électrique.
2. **L'exposition au bruit intense peut occasionner des troubles auditifs.** Portez un protecteur anti-bruit lorsque vous utilisez l'outil pour une période prolongée.
3. **Tenez les mains à l'écart des arêtes tranchantes et des pièces en mouvement.**
4. **Entretenez les étiquettes et marques du fabricant.** Les indications qu'elles contiennent sont précieuses. Si elles deviennent illisibles ou se détachent, faites-les remplacer gratuitement à un centre de service **MILWAUKEE** accrédité.
5. **AVERTISSEMENT!** La poussière dégagée par perçage, sciage et autres travaux de construction contient des substances chimiques reconnues comme pouvant causer le cancer, des malformations congénitales ou d'autres troubles de reproduction. Voici quelques exemples de telles substances :
  - Le plomb contenu dans la peinture au plomb.
  - Le silice cristallin contenu dans la brique, le béton et divers produits de maçonnerie.
  - L'arsenic et le chrome servant au traitement chimique du bois.

Les risques associés à l'exposition à ces substances varient, dépendant de la fréquence des travaux. Afin de minimiser l'exposition à ces substances chimiques, assurez-vous de travailler dans un endroit bien aéré et d'utiliser de l'équipement de sécurité tel un masque antipoussière spécifiquement conçu pour la filtration de particules microscopiques.

### Pictographie

	Double Isolation
	Courant alternatif
	Ampères
	Tours-minute à vide (RPM)
	T-min. Charge/vide
	Underwriters Laboratories, Inc.
	l'Association canadienne de normalisation (ACNOR)
	Inscription mexicaine d'approbation

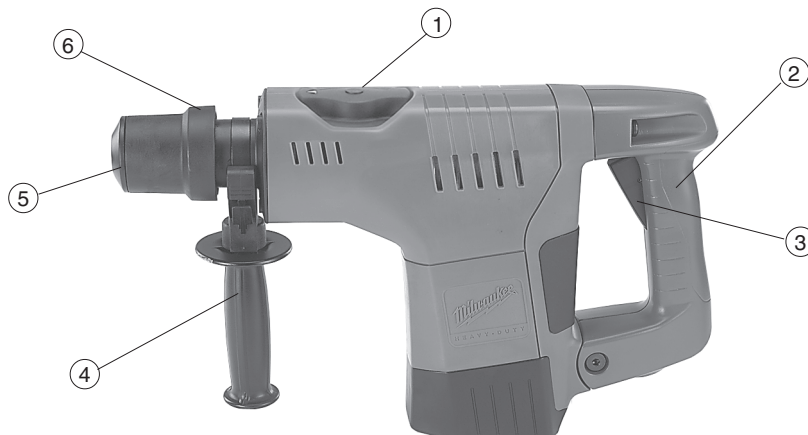
### Spécifications

No de Cat.	Volts CA	A	T-min. Charge/ vide	Coups-min. Charge/ vide	Forets-Percussion Carburés	Carottiers à percussion	Pièce d'ancrage à autoforage	Ciseaux
5314-21	120	11	385*	3 400*	40 mm (1-1/2")	152 mm (6")	16 mm (5/8")	Voir p. 17
5318-21	120	11	385*	3 400*	40 mm (1-1/2")	152 mm (6")	16 mm (5/8")	

\* EFCC - La commande du circuit électronique de réaction « EFCC » maintient une vitesse de rotation constante sans égard à la charge.

## DESCRIPTION FONCTIONNELLE

1. Commande d'arrêt de rotation (No de Cat. 5314-21 seulement)
2. Poignée
3. Détente
4. Poignée latérale
5. Écran antipoussière
6. Collet de déclenchement de foret



Cat. No. 5314-21

## MISE À LA TERRE



### AVERTISSEMENT!

Si le fil de mise à la terre est incorrectement raccordé, il peut en résulter des risques de choc électrique. Si vous n'êtes pas certain que la prise dont vous vous servez est correctement mise à la terre, faites-la vérifier par un électricien. N'altérez pas la fiche du cordon de l'outil. N'enlevez pas de la fiche, la dent qui sert à la mise à la terre. N'employez pas l'outil si le cordon ou la fiche sont en mauvais état. Si tel est le cas, faites-les réparer dans un centre-service MILWAUKEE accrédité avant de vous en servir. Si la fiche du cordon ne s'adapte pas à la prise, faites remplacer la prise par un électricien.

### Outils mis à la terre :

#### Outils pourvus d'une fiche de cordon à trois dents

Les outils marqués « Mise à la terre requise » sont pourvus d'un cordon à trois fils dont la fiche a trois dents. La fiche du cordon doit être branchée sur une prise correctement mise à la terre (voir Figure A). De cette façon, si une défectuosité dans le circuit électrique de l'outil survient, le relais à la terre fournira un conducteur à faible résistance pour décharger le courant et protéger l'utilisateur contre les risques de choc électrique.

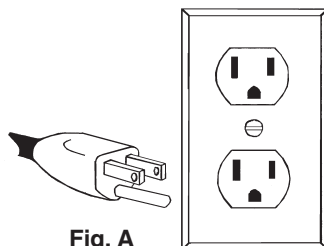


Fig. A

La dent de mise à la terre de la fiche est reliée au système de mise à la terre de l'outil via le fil vert du cordon. Le fil vert du cordon doit être le seul fil raccordé à un bout au système de mise à la terre de l'outil et son autre extrémité ne doit jamais être raccordée à une borne sous tension électrique.

Votre outil doit être branché sur une prise appropriée, correctement installée et mise à la terre conformément aux codes et ordonnances en vigueur. La fiche du cordon et la prise de courant doivent être semblables à celles de la Figure A.

### Outils à double isolation :

#### Outils pourvus d'une fiche de cordon à deux dents

Les outils marqués « Double Isolation » n'ont pas besoin d'être raccordés à la terre. Ils sont pourvus d'une double isolation conforme aux exigences de l'OSHA et satisfont aux normes de l'Underwriters Laboratories, Inc., de l'Association canadienne de normalisation (ACNOR) et du « National Electrical Code » (code national de l'électricité). Les outils à double isolation peuvent être branchés sur n'importe laquelle des prises à 120 volt illustrées ci-contre Figure B et C.

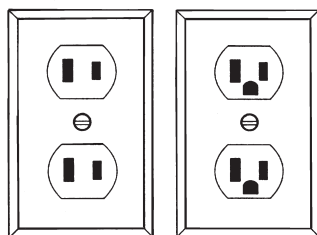


Fig. B

Fig. C

## CORDONS DE RALLONGE

Si l'emploi d'un cordon de rallonge est nécessaire, un cordon à trois fils doit être employé pour les outils mis à la terre. Pour les outils à double isolation, on peut employer indifféremment un cordon de rallonge à deux ou trois fils. Plus la longueur du cordon entre l'outil et la prise de courant est grande, plus le calibre du cordon doit être élevé. L'utilisation d'un cordon de rallonge incorrectement calibré entraîne une chute de voltage résultant en une perte de puissance qui risque de détériorer l'outil. Reportez-vous au tableau ci-contre pour déterminer le calibre minimum du cordon.

Moins le calibre du fil est élevé, plus sa conductivité est bonne. Par exemple, un cordon de calibre 14 a une meilleure conductivité qu'un cordon de calibre 16. Lorsque vous utilisez plus d'une rallonge pour couvrir la distance, assurez-vous que chaque cordon possède le calibre minimum requis. Si vous utilisez un seul cordon pour brancher plusieurs outils, additionnez le chiffre d'intensité (ampères) inscrit sur la fiche signalétique de chaque outil pour obtenir le calibre minimal requis pour le cordon.

### Directives pour l'emploi des cordons de rallonge

- Si vous utilisez une rallonge à l'extérieur, assurez-vous qu'elle est marquée des sigles « W-A » (« W » au Canada) indiquant qu'elle est adéquate pour usage extérieur.
- Assurez-vous que le cordon de rallonge est correctement câblé et en bonne condition. Remplacez tout cordon de rallonge détérioré ou faites-le remettre en état par une personne compétente avant de vous en servir.
- Tenez votre cordon de rallonge à l'écart des objets ranchants, des sources de grande chaleur et des endroits humides ou mouillés.

### Calibres minimaux recommandés pour les cordons de rallonge\*

Fiche signalétique Ampères	Longueur du cordon de rallonge (m)					
	7,6	15,2	22,8	30,4	45,7	60,9
0 - 5,0	16	16	16	14	12	12
5,1 - 8,0	16	16	14	12	10	--
8,1 - 12,0	14	14	12	10	--	--
12,1 - 15,0	12	12	10	10	--	--
15,1 - 20,0	10	10	10	--	--	--

\* Basé sur une chute de voltage limite de 5 volts à 150% de l'intensité moyenne de courant.

**LISEZ ATTENTIVEMENT CES INSTRUCTIONS  
ET CONSERVEZ-LES POUR LES  
CONSULTER AU BESOIN.**

## MONTAGE DE L'OUTIL

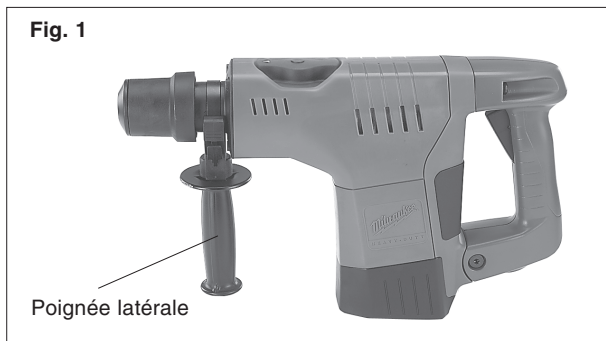
### **AVERTISSEMENT!**

Afin de réduire le risque de blessures, débranchez toujours l'outil avant d'y faire des réglages, d'y attacher ou d'en enlever les accessoires. L'usage d'accessoires autres que ceux qui sont spécifiquement recommandés pour cet outil peut comporter des risques.

### **AVERTISSEMENT!**

Pour minimiser les risques de blessures corporelles, utilisez toujours la poignée latérale lorsque vous maniez l'outil. Étayez-la ou maintenez-la solidement.

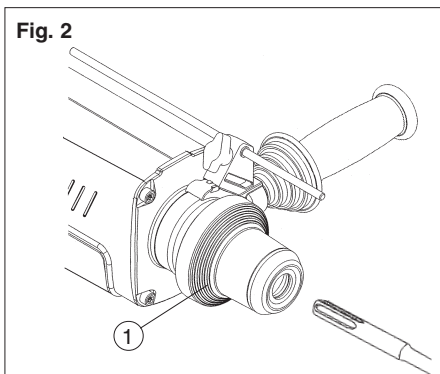
#### Positionnement de la poignée latérale (Fig. 1)



1. Desserrez légèrement la poignée en la dévissant.
2. Faites-la pivoter à la position requise.
3. Serrez-la à fond.

#### Insertion des forets et ciseaux (Fig. 2) Système d'entraînement à cannelures « SDS max. » (No de cat. 5314-21)

Le marteau No 5314-21 utilise des forets SDS max. des ciseaux à percussion en acier.

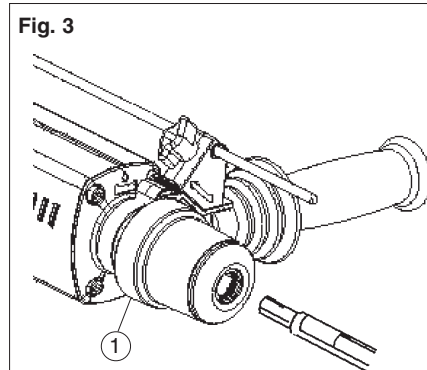


1. Insérez le foret ou le ciseau dans le bec de l'outil.
2. Tournez la pièce lentement jusqu'à ce qu'elle s'aligne sur le mécanisme d'enclenchement.
3. Poussez la pièce dans l'outil pour qu'elle s'enclenche.
4. Tirez sur la pièce pour vérifier l'enclenchement.
5. Pour retirer le foret ou le ciseau, tirez le collet de déclenchement (1) du foret vers l'arrière de l'outil et enlevez la pièce.

**N.B.** Soyez prudent lorsque vous maniez des forets ou des ciseaux brûlants.

#### Insertion des forets et ciseaux (Fig. 3) Système d'entraînement à cannelures (No de cat. 5318-21)

Les marteaux rotatifs No 5318-21 utilise des forets carburés à tige cannelée et des ciseaux à percussion en acier à tige ronde et hexagonale.



	Foret rotatif à tige cannelée	
	Ciseau à tige ronde et hexagonale.	

1. Insérez le foret ou le ciseau dans le bec de l'outil.  
Si vous utilisez un foret, assurez-vous que les cannelures de la queue s'emboîtent dans les cannelures de la paroi intérieure du bec de l'outil.  
Si vous utilisez un ciseau, assurez-vous que l'encoche sur la tige est orientée vers le dessus (Fig. 3).
2. Poussez la pièce dans l'outil pour qu'elle s'enclenche.
3. Tirez sur la pièce pour vérifier l'enclenchement.
4. Pour retirer le foret ou le ciseau, tirez le collet de déclenchement (1) du foret vers l'arrière de l'outil et enlevez la pièce.

**N.B.** Soyez prudent lorsque vous maniez des forets ou des ciseaux brûlants.



Ces marteaux rotatifs sont pourvus d'une commande de circuit électronique de réaction « EFCC » qui améliore le rendement et la durée de l'outil.

### Démarrage souple

Cette caractéristique réduit l'effet du couple antagoniste sur l'outil et l'utilisateur. Elle augmente graduellement la vitesse du moteur entre le point mort et la vitesse désignée au sélecteur de régime.

### Commande de réaction

Le système de commande électronique de régime permet à l'outil de maintenir une vitesse constante entre les conditions de fonctionnement à vide ou à charge.

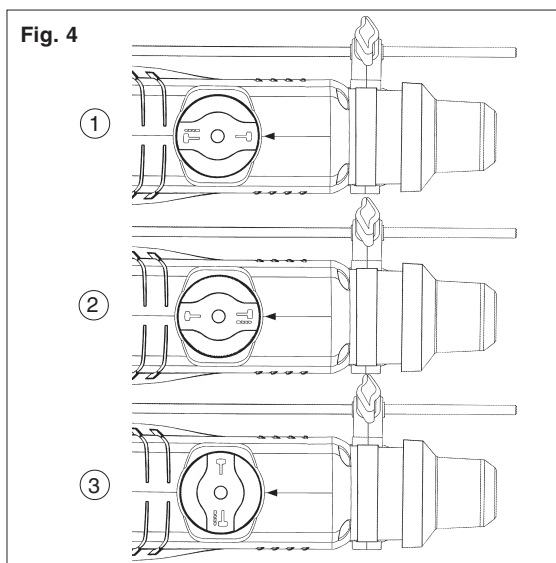


### AVERTISSEMENT!

Pour minimiser les risques de blessures, portez des lunettes à coques latérales.

### Sélection de l'action (Fig. 4) (No de cat. 5314-21)

Le marteau rotatif 5314-21 est muni d'un bouton d'arrêt de rotation qui peut être réglé à « percussion seulement », « percussion avec rotation » ou « réglage de burinage ».



1. **Percussion seulement.** Utiliser avec les accessoires pour la « percussion seulement ». Utiliser ce réglage (1) pour le burinage ou pour régler des chevilles autoperceuses.
2. **Percussion avec rotation.** Utiliser ce réglage (2) pour percer des trous avec des forets ou des mèches.
3. **Réglage de burinage.** Utiliser ce réglage (3) pour régler l'angle de la lame de burin par rapport à l'outil. Avec un burin monté sur l'outil :
  - tourner le bouton à ce réglage
  - placer le burin à l'angle désiré
  - régler l'outil pour la percussion seulement

**N.B. :** Pour engager le mécanisme de percussion, maintenir la pression sur le foret. Lorsque la pression sur le foret est relâchée, la percussion s'arrête.



### AVERTISSEMENT!

Pour minimiser les risques de blessures, lors de l'usage d'un ciseau ou d'un autre outil de percussion avec un marteau 5314-21, placez la commande d'arrêt de rotation du marteau à la position percussion seulement.

### Percussion seulement « Hammering only »

#### Système d'entraînement SDS max. (No de cat. 5314-21)

Lorsque vous utilisez un ciseau ou un autre outil de percussion avec le marteau 5314-21, la commande d'arrêt de rotation doit être placée à la position de percussion seulement. Le mécanisme d'entraînement rotatoire des modèles 5314-21 engage la rotation du ciseau ou de l'outil à percussion qui y est installé, lorsque la commande d'arrêt de rotation est à la position percussion avec rotation.

### Percussion seulement « Hammering only »

#### Système d'entraînement à cannelures (No de cat. 5318-21)

Lorsqu'un ciseau ou un autre outil de percussion seulement est installé sur les marteaux 5318-21, le mécanisme d'entraînement rotatoire n'engage pas la rotation du ciseau ou de l'outil de percussion.

### Démarrage et arrêt de l'outil

1. Pour **mettre** l'outil en marche, appuyez sur la détente.
2. Pour **arrêter** l'outil, relâchez la détente.

### Démarrage à froid

Si l'outil est rangé durant longtemps à basse température, il se peut que la percussion ne débute pas immédiatement parce que le lubrifiant sera figé. Pour réchauffer l'outil :

1. Insérez un foret ou un ciseau et verrouillez-le dans l'outil.
2. Mettez l'outil en marche en appuyant fortement le foret ou le ciseau sur une surface de béton ou de bois.
3. Faites alterner la mise en marche et l'arrêt à plusieurs reprises par intervalles de quelques secondes. En peu de temps, l'outil commencera à fonctionner. Plus l'outil sera froid, plus le temps de réchauffement sera long.

### Percussion ou percussion avec rotation

Placez l'outil et empoignez-le solidement puis appuyez sur la détente.

N'exercez que la pression nécessaire à maintenir l'outil en place et empêcher la pointe du foret de « patiner » sur la surface. Cet outil a été conçu de façon à fournir le meilleur rendement à pression modérée.

Si, au cours du perçage d'un trou profond, retirez partiellement le foret pendant qu'il tourne pour que les débris de forage soient éjectés.

**N.B.** N'utilisez pas d'eau pour abattre la poussière pour éviter de bloquer les cannelures du foret et d'en occasionner le grippage. S'il arrive que le foret reste coincé, le dispositif à couple élevé d'accouplement à glissement non réglable intégré au mécanisme de l'outil arrêtera automatiquement la rotation du foret. En tel cas, relâchez la détente, dégagez le foret et recommencez à percer.

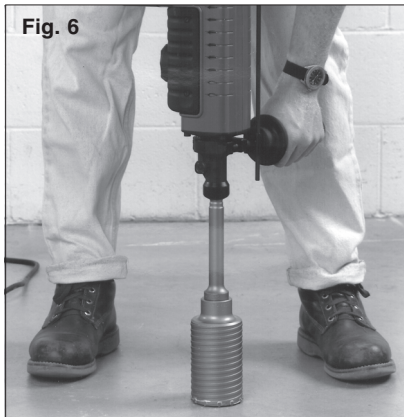
### Utilisation de carottiers percutants (Fig. 5-8)

Les carottiers sont utiles pour percer de grands trous pour les conduits et les tuyaux. Les carottiers robustes de **MILWAUKEE** sont pourvus de parois d'acier trempé et de dents carburées. Ces carottiers sont spécifiquement conçus pour le forage rapide et précis en rotation avec percussion.

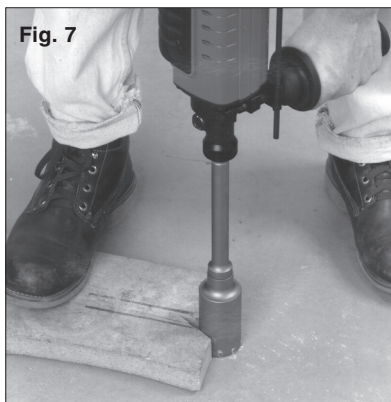
1. Nettoyez et lubrifiez le filetage de l'adaptateur du carottier. Ceci rendra le démontage plus facile. Vissez le bout fileté de l'adaptateur dans l'arrière du carottier.
2. Poussez la plaque de guidage sur le bout pointu de la goupille de centrage. Insérez la goupille de centrage et la plaque de guidage ainsi reliées dans le carottier. Assurez-vous que le bout le plus petit de la goupille est bien en place dans le trou au centre du carottier (Fig. 5).



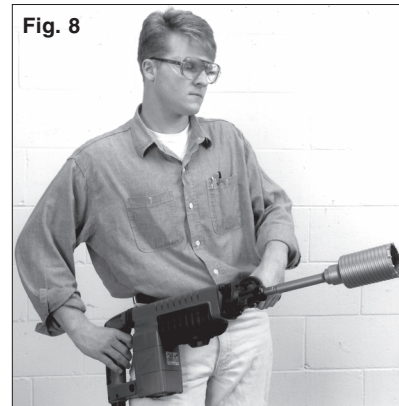
3. Insérez l'adaptateur dans le bec de l'outil tel que décrit sous la rubrique « Insertion des forets ». Placez la commande d'arrêt de rotation à la position de percussion avec rotation « hammering-with-rotation ».
4. Appuyez fermement la goupille de centrage sur le point de repère central du trou à percer, tenez l'outil solidement et appuyez sur la détente (Fig. 6).



**N.B.** Si une goupille de centrage et une plaque de guidage ne sont pas disponibles, utilisez un gabarit ou une planche encochée pour commencer à percer (Fig. 7).



5. Lorsque le trou atteint la profondeur des dents du carottier, retirez la goupille de centrage et la plaque de guidage. Continuez ensuite à driller.
6. Pour remplacer le carottier, pointez l'outil vers le haut en l'écartant de vous, tel qu'indiqué, et faites-le tourner un moment à vide pour desserrer le carottier de l'adaptateur (Fig. 8).



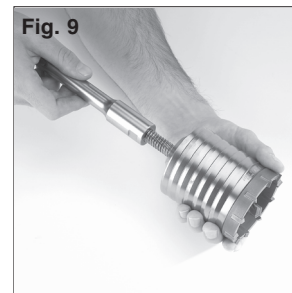
**N.B.** Pour les trous plus profonds, retirez le carottier du trou, brisez et enlevez la carotte. Reprenez le perçage.

### Utilisation des carottiers LHS à percussion et rotation (Fig. 9-12)

Les carottiers percutants sont utiles pour forer des trous d'un grand diamètre pour le passage des tuyaux et des conduites. Les carottiers percutants **MILWAUKEE** extra robustes sont faits d'acier trempé et pourvus de pointes durables au carbure. Ils sont conçus spécifiquement pour un forage rapide et précis employant l'action combinée de la rotation et de la percussion.

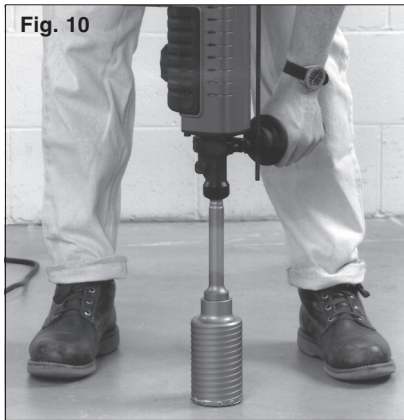
1. Nettoyez et lubrifiez le filetage de l'adaptateur et du carottier tel qu'indiqué. Ceci rendra le démontage plus facile. Vissez le bout fileté de la goupille de centrage dans l'arrière du carottier. Vissez la tige de l'adaptateur sur la goupille de centrage.

**N.B.** Si vous utilisez une rallonge, vissez d'abord la tige de l'adaptateur à la rallonge. ensuite, vissez le carottier sur la rallonge (Fig. 9).

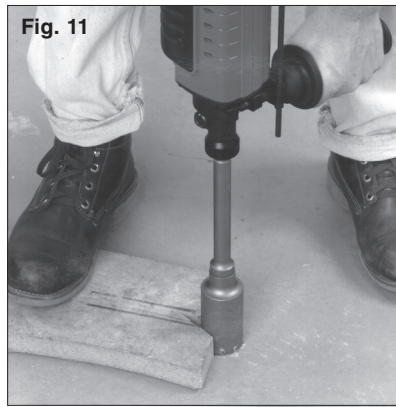


2. Introduisez l'adaptateur dans le bec de l'outil tel que décrit sous « Utilisation de carottiers percutants ». Placez la commande d'arrêt de rotation à la position de percussion et rotation « hammering-with-rotation ».

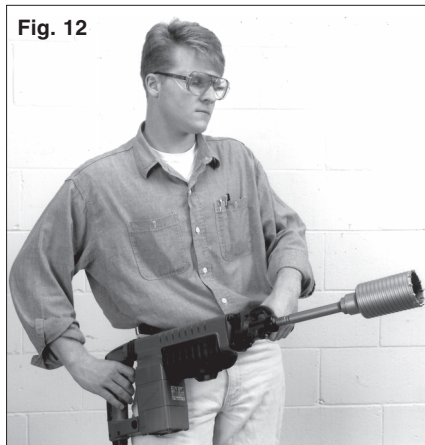
3. Pressez fermement la goupille de centrage sur le repère de votre matériau, tenez solidement l'outil et appuyez sur la détente (Fig. 10).



**N.B.** Si le goujon fileté No 48-20-5099 est employé, utilisez un gabarit ou une planche encochée pour entamer le trou (Fig. 11).



4. Pour changer le carottier, tournez l'outil vers le haut, pointant à l'écart de votre corps tel qu'indiqué, et faites-le tourner brièvement en sens horaire pour relâcher le carottier de l'adaptateur (Fig. 12).



**N.B.** Pour percer des trous plus profonds, retirez le carottier, brisez et enlevez la carotte. Reprenez le perçage. Lorsque vous percez des trous profonds, retirez partiellement le carottier du trou tandis que l'outil tourne pour aider à dégager la poussière. La poussière peut bloquer les cannelures du carottier et elle favorise le grippage du carottier.



## AVERTISSEMENT!

Afin de réduire le risque de blessures corporelles et de dommage à l'outil ou à la surface de travail.

- Utilisez toujours le mode de percussion seulement, « hammering only » pour la pose des pièces d'ancrage. N'employez jamais le mode de percussion avec rotation « hammering-with-rotation » pour ce travail.
- Ne passez jamais du mode de percussion au mode de percussion avec rotation avant que la pièce d'ancrage ne soit parfaitement fixée et que le mandrin à pièce d'ancrage dentelée ne soit retiré de la pièce d'ancrage.

### Pose des pièces d'ancrage à autoforage (Fig. 13-18) (No de cat. 5314-21 seulement)

Les marteaux rotatifs 5314-21 sont pourvus d'une commande d'arrêt de rotation. Cette caractéristique est utile pour la pose des pièces d'ancrage autoforeuses jusqu'à 16 mm (5/8"). Les pièces d'ancrage dentelées MILWAUKEE exigent l'emploi d'un adaptateur conique de type B.

Fig. 13

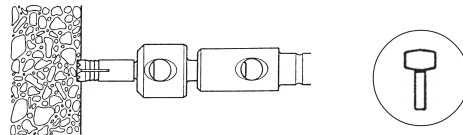


Fig. 14

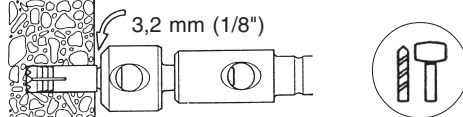


Fig. 15

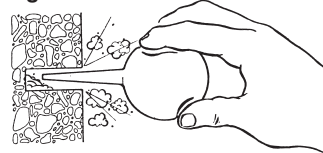


Fig. 16

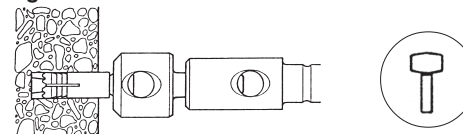


Fig. 17

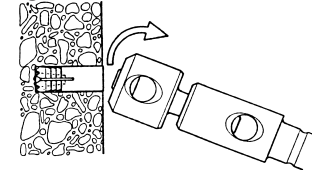
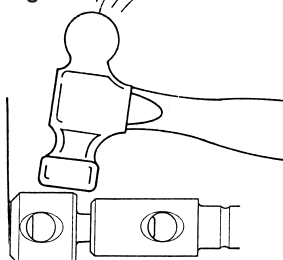


Fig. 18



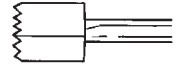
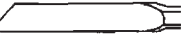




- Placez le mandrin à pièce d'ancrage dentelée approprié dans l'adaptateur conique de type B. Ensuite, introduisez l'adaptateur conique de type B dans l'outil et verrouillez-le en place tel qu'indiqué sous la rubrique « Installation des forets et des ciseaux ».
- Introduisez la pièce d'ancrage dans le mandrin à pièce d'ancrage dentelée. Placez la commande d'arrêt de rotation à la position de percussion seulement « hammering only ». Posez la pièce d'ancrage sur votre repère et martelez-la jusqu'à ce que les dents de la pièce aient pénétré le béton (Fig. 13).
- Tournez la commande d'arrêt de rotation à la position de percussion avec rotation « hammering-with-rotation » et forez jusqu'à ce que le mandrin doit à 3 mm (1/8") au-dessus du béton (Fig. 14).  
**N.B.** Il peut être nécessaire de débarrasser la pièce d'ancrage de la poussière et des rognures plusieurs fois durant le forage d'un trou.
- Retirez la pièce d'ancrage du trou pendant que l'outil tourne encore. Nettoyez la pièce d'ancrage en la pointant vers le bas et en actionnant plusieurs fois le moteur de l'outil de façon intermittente. Enlevez la poussière du trou à l'aide d'un aspirateur ou d'une poire à souffler (Fig. 15).
- Placez la cheville de retenue dans la pièce d'ancrage et introduisez la pièce d'ancrage dans le trou. Tournez la commande d'arrêt de rotation à la position de percussion seulement « hammering only » et martelez fermement la pièce d'ancrage dans le trou (Fig. 16).
- Détachez la tête de la pièce d'ancrage. Pour retirer la tête d'une pièce d'un calibre maximal de 16 mm (5/8") maintenez solidement les poignées et tirez brusquement l'outil vers vous (Fig. 17) ou détachez la tête de la pièce d'ancrage avec marteau, tel qu'indiqué (Fig. 18). La pièce d'ancrage est maintenant prête à recevoir le boulon.
- Pour retirer la tête de la pièce d'ancrage du mandrin à pièce d'ancrage, utilisez le goujon d'éjection No 48-86-0100.
- Pour retirer le mandrin à pièce d'ancrage, retirez d'abord l'adaptateur conique de type B du bec de l'outil. Introduisez le goujon d'éjection qui accompagne l'adaptateur dans le trou sur le côté de l'adaptateur conique de type B et frappez-le d'un coup sec pour éjecter le mandrin à pièce d'ancrage.

## Cisellement et burinage

Les marteaux rotatifs *MILWAUKEE* 40 mm (1-1/2") employés pour le burinage et le cisellement.

Pour buriner, tenez l'outil à angle de la surface de travail. Commencez par un coin ou en bordure de la surface et ciselez une petite partie de la surface à la fois plutôt que d'en prendre trop grand.

Plusieurs genres d'accessoires sont offerts :

	<b>Boucharde</b> Employée pour les surfaces en béton.
	<b>Ciseau à mortier (outil à joint)</b> Servant à enlever le vieux mortier avant de jointoyer ou de calfeutrer.
	<b>Ciseau à pointe robuste</b> Employé pour les travaux de démolition et pour commencer le forage d'un trou dans une dalle de béton.
	<b>Ciseau à plat</b> Employé pour cisailer les bords, rainurer et dégrossir les surfaces.
	<b>Ciseau à détartre</b> Servant à enlever le tartre et les éclaboussures de soudage ou couper en ligne droite.
	<b>Ciseau à fendre</b> Pour faire des fentes et découper entre les trous pratiqués dans le béton ou la maçonnerie.



## MAINTENANCE



### AVERTISSEMENT!

Pour minimiser les risques de blessures, débranchez toujours l'outil avant d'y effectuer des travaux de maintenance. Ne faites pas vous-même le démontage de l'outil ni le rebobinage du système électrique. Consultez un centre de service **MILWAUKEE** accrédité pour toutes les réparations.

### Entretien de l'outil

Gardez l'outil en bon état en adoptant un programme d'entretien ponctuel. Avant de vous en servir, examinez son état en général. Inspectez-en la garde, interrupteur, cordon et cordon de rallonge pour en déceler les défauts. Vérifiez le serrage des vis, l'alignement et le jeu des pièces mobiles, les vices de montage, bris de pièces et toute autre condition pouvant en rendre le fonctionnement dangereux. Si un bruit ou une vibration insolite survient, arrêtez immédiatement l'outil et faites-le vérifier avant de vous en servir de nouveau. N'utilisez pas un outil défectueux. Fixez-y une étiquette marquée « HORS D'USAGE » jusqu'à ce qu'il soit réparé (voir « Réparations »).

Normalement, il ne sera pas nécessaire de lubrifier l'outil avant que le temps ne soit venu de remplacer les balais. Après une période pouvant aller de 6 mois à un an, selon l'usage, retournez votre outil à un centre de service **MILWAUKEE** accrédité pour obtenir les services suivants :

- Lubrification
- Inspection et remplacement des balais
- Inspection et nettoyage de la mécanique (engrenages, pivots, coussinets, boîtier etc.)
- Inspection électrique (interrupteur, cordon, induit etc.)
- Vérification du fonctionnement électromécanique



### AVERTISSEMENT!

Pour minimiser les risques de blessures, choc électrique et dommage à l'outil, n'immergez jamais l'outil et ne laissez pas de liquide s'y infiltrer.

### Nettoyage

Débarrassez les événements des débris et de la poussière. Gardez les poignées de l'outil propres, à sec et exemptes d'huile ou de graisse. Le nettoyage de l'outil doit se faire avec un linge humide et un savon doux. Certains nettoyants tels l'essence, la térébenthine, les diluants à laque ou à peinture, les solvants chlorés, l'ammoniaque et les détergents d'usage domestique qui en contiennent pourraient détériorer le plastique et l'isolation des pièces. Ne laissez jamais de solvants inflammables ou combustibles auprès des outils.

### Réparations

Si votre outil doit être réparé, retournez-le en entier au centre-service le plus près selon la liste apparaissant à la dernière page de ce manuel.

## ACCESSOIRES



### AVERTISSEMENT!

Pour minimiser les risques de blessures, débranchez toujours l'outil avant d'y installer ou d'en enlever les accessoires. L'emploi d'accessoires autres que ceux qui sont expressément recommandés pour cet outil peut présenter des risques.

Pour une liste complète des accessoires, prière de se reporter au catalogue **MILWAUKEE** Electric Tool ou visiter le site internet [www.mil-electric-tool.com](http://www.mil-electric-tool.com). Pour obtenir un catalogue, il suffit de contacter votre distributeur local ou l'un des centres-service énumérés sur la page de couverture de ce manuel.

## GARANTIE LIMITÉE DE L'OUTIL DE CINQ ANS

Tous les outils **MILWAUKEE** sont testés avant de quitter l'usine et sont garantis exempts de vice de matériau ou de fabrication. **MILWAUKEE** réparera ou remplacera (à la discrétion de **MILWAUKEE**), sans frais, tout outil (y compris les chargeurs de batterie) dont l'examen démontre le caractère défectueux du matériau ou de la fabrication dans les cinq (5) ans suivant la date d'achat. Retourner l'outil et une copie de la facture ou de toute autre preuve d'achat à une branche Entretien usine/Assistance des ventes de l'établissement **MILWAUKEE** ou à un centre d'entretien agréé par **MILWAUKEE**, en port payé et assuré. Cette garantie ne couvre pas les dommages causés par les réparations ou les tentatives de réparation par quiconque autre que le personnel agréé par **MILWAUKEE**, les utilisations abusives, l'usure normale, les carences d'entretien ou les accidents.

Les batteries, les lampes de poche et les radios sont garanties pour un (1) an à partir de la date d'achat.

LES SOLUTIONS DE RÉPARATION ET DE REMPLACEMENT DÉCRITES PAR LES PRÉSENTES SONT EXCLUSIVES. **MILWAUKEE** NE SAURAIT ÊTRE RESPONSABLE, EN AUCUNE CIRCONSTANCE, DES DOMMAGES ACCESSOIRES, SPÉCIAUX OU INDIRECTS, Y COMPRIS LES MANQUES À GAGNER.

CETTE GARANTIE EST EXCLUSIVE ET REMPLACE TOUTES LES AUTRES GARANTIES OU CONDITIONS, ÉCRITES OU ORALES, EXPRESSES OU TACITES DE QUALITÉ MARCHANDE OU D'ADAPTATION À UNE UTILISATION OU UNE FIN PARTICULIÈRE.

Cette garantie vous donne des droits particuliers. Vous pouvez aussi bénéficier d'autres droits variant d'un état à un autre et d'une province à une autre. Dans les états qui n'autorisent pas les exclusions de garantie tacite ou la limitation des dommages accessoires ou indirects, les limitations ou exclusions ci-dessus peuvent ne pas s'appliquer. Cette garantie s'applique aux États-Unis, au Canada et au Mexique uniquement.



## REGLAS GENERALES DE SEGURIDAD



**¡ADVERTENCIA!**

### LEA Y ENTIENDA TODAS LAS INSTRUCCIONES


El no seguir las instrucciones a continuación puede ocasionar una descarga eléctrica, incendio y/o lesiones graves.

### GUARDE ESTAS INSTRUCCIONES

#### AREA DE TRABAJO

1. **Mantenga el área de trabajo limpia e iluminada.** Las mesas de trabajo desordenadas y las áreas con poca iluminación propician los accidentes.
2. **No opere las herramientas con motor en ambientes explosivos, tales como los ambientes con líquidos, gases o polvo inflamables.** Las herramientas con motor producen chispas que pueden inflamar el polvo o los gases.
3. **Mantenga a las personas alejadas mientras esté utilizando una herramienta con motor.** Las distracciones pueden causar la pérdida del control de la herramienta. Proteja a las demás personas en el área de trabajo contra escombros, tales como astillas y chispas. Instale barreras si se necesitan.

#### SEGURIDAD ELECTRICA

4. **Las herramientas conectadas a tierra deben estar enchufadas en un toma corriente que esté instalado correctamente y conectado a tierra de acuerdo con todos los códigos y ordenanzas vigentes.** Nunca retire la clavija de conexión a tierra o modifique el enchufe de ninguna manera. No use enchufes adaptadores. Consulte a un electricista capacitado si tiene dudas para asegurar que el tomacorriente esté correctamente conectado a tierra. Si las herramientas sufren fallas eléctricas, la conexión a tierra proporciona una trayectoria de baja resistencia para que el usuario no quede expuesto a la electricidad.
5. **Las herramientas con aislamiento doble están equipadas con un enchufe polarizado (una clavija es más ancha que la otra). Hay una sola manera de introducir este enchufe en una toma polarizada. Si el enchufe no se ajusta completamente en la toma, dé vuelta el enchufe. Si el problema persiste, póngase en contacto con un electricista calificado para que instale una toma polarizada. No cambie la toma de ninguna manera.** El aislamiento doble  elimina la necesidad de un cable de energía con conexión a tierra con 3 alambres y la de un sistema de suministro de energía con conexión a tierra.
6. **Evite contacto físico con las superficies conectadas a tierra, tales como tuberías, radiadores, cocinas y refrigeradores.** Existe un riesgo de un choque eléctrico mayor si su cuerpo está expuesto a tierra.
7. **No exponga las herramientas eléctricas a condiciones de lluvia o humedad.** El agua que entra en una herramienta eléctrica aumentará el riesgo de choque eléctrico.
8. **No maltrate el cable. Nunca use el cable para transportar las herramientas ni para sacar el enchufe de la toma eléctrica. Mantenga el cable lejos de calefacción, petróleo, bordes afilados o cualquier parte móvil. Reemplace inmediatamente cualquier cable dañado.** Los cables dañados aumentan el riesgo de choque eléctrico.
9. **Al operar una herramienta eléctrica a la intemperie, use un cordón de extensión para la intemperie marcado "W-A" o "W".** Estos cordones están aprobados para usos exteriores y reducen el riesgo del choque eléctrico.

#### SEGURIDAD PERSONAL

10. **Esté alerta. Revise su trabajo y use el sentido común. No opere su herramienta cuando esté cansado, distraído o bajo la**

**influencia de drogas alcohol o medicamentos.** Un momento de descuido cuando operando un herramienta electrica puede resultar en lesiones graves.

11. **Utilice ropa adecuada.** No use ropa suelta o joyas. Mantenga el cabello largo, ropa y guantes alejados de las partes móviles.
12. **Evite los arranques accidentales.** Verifique que el interruptor esté apagado antes de enchufar la herramienta. Transportar la herramienta por el gatillo o enchufarla con el interruptor encendido puede ocasionar accidentes
13. **Saque las llaves de ajuste antes de encender la herramienta.** Una llave sujeta a una parte en movimiento puede causar lesiones.
14. **No se esfuerce, mantenga el control y el balance en todo momento.** Mantenga siempre una postura y un balance adecuados. Una postura y un balance correctos otorga un mejor control ante situaciones inesperadas.
15. **Utilice el equipo de seguridad. Siempre use protección para los ojos.** Se debe usar una máscara contra el polvo, zapatos de seguridad antidelizantes, casco y protector para los oídos, cuando las condiciones así lo requieran.

#### USO Y MANTENIMIENTO DE LA HERRAMIENTA

16. **Utilice abrazaderas u otra manera práctica para sujetar y apoyar el material en una plataforma estable.** Tener el material en la mano o contra el cuerpo es inestable y puede causar la pérdida del control.
17. **No fuerce la herramienta. Utilice la herramienta apropiada para la aplicación.** La herramienta realizará el trabajo de manera más eficaz y segura, si la opera a la velocidad apropiada.
18. **Si el gatillo no enciende o apaga la herramienta, no utilice la herramienta.** Una herramienta que no se puede controlar con el gatillo es peligrosa y debe ser reparada.
19. **Desconecte el enchufe de la fuente de energía antes de realizar cualquier ajuste, cambiar los accesorios o almacenar la herramienta.** Tales medidas precautorias de seguridad reducen el riesgo de encender la herramienta accidentalmente.
20. **Almacene las herramientas que no se estén usando fuera del alcance de los niños y de personas que no estén capacitadas.** Es peligroso permitir a los usuarios utilizar las herramientas, si no están capacitados previamente.
21. **Mantenga las herramientas en buenas condiciones. Las herramientas cortadoras deben mantenerse afiladas y limpias.** Esto reduce el riesgo de que la herramienta se atasque y facilita el control de la misma. No utilice una herramienta dañada. Colóquela en una etiqueta que diga "No Debe Usarse" hasta que sea reparada.
22. **Verifique que las partes en movimiento estén alineadas y no estén atascadas. También debe verificarse que las partes no estén rotas o tengan cualquier otra condición que pueda afectar el funcionamiento de la herramienta. Si está dañada, se debe reparar la herramienta antes de utilizarla.** Muchos accidentes se deben al mantenimiento incorrecto de la herramienta.
23. **Utilice solamente los accesorios recomendados por el fabricante para ese modelo.** Los accesorios que son apropiados para una herramienta pueden aumentar el riesgo de lesiones cuando se usan con otra herramienta.






## SERVICIO

24. **El servicio de mantenimiento debe ser realizado solamente por personal técnico debidamente capacitado.** El servicio o mantenimiento realizado por personal no calificado puede aumentar el riesgo de lesiones.
25. **Cuando realice el servicio de mantenimiento, utilice solamente repuestos idénticos. Siga las instrucciones en la sección de mantenimiento de este manual.** El uso de partes no autorizadas o el incumplimiento de las instrucciones de mantenimiento puede aumentar el riesgo de descarga eléctrica o lesiones.

## REGLAS ESPECIFICAS DE SEGURIDAD

1. **Sostenga la herramienta por las superficies aisladas cuando realice una operación donde la herramienta cortadora pueda entrar en contacto con alambres que no estén visibles o con su propio cordón.** Hacer contacto con un alambre energizado hará que las partes metálicas expuestas de la herramienta también estén energizadas y produzcan una descarga sobre el operador.
2. **Al manejar esta herramienta durante períodos prolongados utilice protectores para los oídos.** La exposición prolongada a altos niveles de ruido puede provocar la pérdida de la audición.
3. **Mantenga las manos alejadas de todos los bordes cortadores y partes en movimiento.**
4. **Guarde las etiquetas y placas de especificaciones.** Éstas tienen información importante. Si son ilegibles, o si no se pueden encontrar, póngase en contacto con un centro de servicio de **MILWAUKEE** para una refacción gratis.
5. **¡ADVERTENCIA!** Algunas partículas de polvo resultantes del lijado mecánico, aserrado, esmerilado, taladrado y otras actividades relacionadas a la construcción, contienen sustancias químicas que se sabe ocasionan cáncer, defectos congénitos u otros daños al aparato reproductivo. A continuación se citan algunos ejemplos de tales sustancias químicas:
  - plomo proveniente de pinturas con base de plomo
  - sílice cristalino proveniente de ladrillos, cemento y otros productos de albañilería, y
  - arsénico y cromo provenientes de madera químicamente tratada.

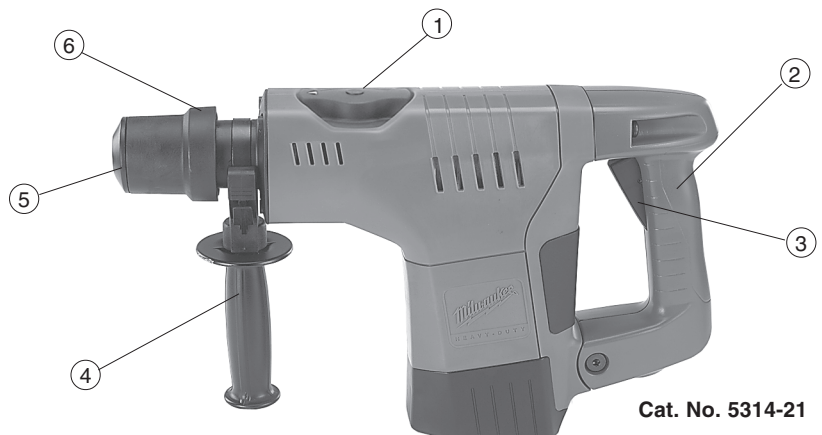
El riesgo que usted sufre debido a la exposición varía dependiendo de la frecuencia con la que usted realiza estas tareas. Para reducir la exposición a estas sustancias químicas: trabaje en un área bien ventilada, y utilice equipo de seguridad aprobado como, por ejemplo, máscaras contra el polvo que hayan sido específicamente diseñadas para filtrar partículas microscópicas.

<b>Simbología</b>		<b>Especificaciones</b>								
	Doble aislamiento	<b>Cat. No.</b>	<b>Volts ca~</b>	<b>Amperios</b>	<b>rpm</b>	<b>golpes por minuto</b>	<b>Brocas c/carburo</b>	<b>Cortadores de corazon</b>	<b>Barren-anclas</b>	<b>Cinceles</b>
	Volts corriente alterna	<b>5314-21</b>	120	11	385*	3 400*	40 mm (1-1/2")	152 mm (6")	16 mm (5/8")	Vea pag. 26
<b>A</b>	Amperios	<b>5318-21</b>	120	11	385*	3 400*	40 mm (1-1/2")	152 mm (6")	16 mm (5/8")	
<b>n<sup>o</sup> xxxx/min.</b>	No de revoluciones de carga minuto (RPM)									
<b>BPM</b>	Golpes por minuto									
	Underwriters Laboratories, Inc.									
	Asociación de Normas Canadiense									
	Marca mejicana de la aprobación									

\* EFCC – El Circuito de control de información electrónica mantiene una velocidad constante bajo condiciones de carga variables

## DESCRIPCIÓN FUNCIONAL

1. Perilla para detención de la rotación (Cat. No. 5314-21 solamente)
2. Empuñadura
3. Gatillo
4. Mango lateral
5. Protector contra el polvo
6. Collar liberador de la broca



## TIERRA



### ¡ADVERTENCIA!

Puede haber riesgo de descarga eléctrica si se conecta el cable de conexión de puesta a tierra incorrectamente. Consulte con un electricista certificado si tiene dudas respecto a la conexión de puesta a tierra del tomacorriente. No modifique el enchufe que se proporciona con la herramienta. Nunca retire la clavija de conexión de puesta a tierra del enchufe. No use la herramienta si el cable o el enchufe está dañado. Si está dañado antes de usarlo, llévelo a un centro de servicio **MILWAUKEE** para que lo reparen. Si el enchufe no se acopla al tomacorriente, haga que un electricista certificado instale un tomacorriente adecuado.

#### Herramientas con conexión a tierra: Herramientas con enchufes de tres clavijas

Las herramientas marcadas con la frase "Se requiere conexión de puesta a tierra" tienen un cable de tres hilos y enchufes de conexión de puesta a tierra de tres clavijas. El enchufe debe conectarse a un tomacorriente debidamente conectado a tierra (véase la Figura A). Si la herramienta se avería o no funcionara correctamente, la conexión de puesta a tierra proporciona un trayecto de baja resistencia para desviar la corriente eléctrica de la trayectoria del usuario, reduciendo de este modo el riesgo de descarga eléctrica.

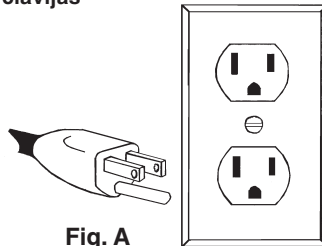


Fig. A

La clavija de conexión de puesta a tierra en el enchufe está conectada al sistema de conexión de puesta a tierra de la herramienta a través del hilo verde dentro del cable. El hilo verde debe ser el único hilo conectado al sistema de conexión de puesta a tierra de la herramienta y nunca se debe unir a una terminal energizada.

Su herramienta debe estar enchufada en un tomacorriente apropiado, correctamente instalado y conectado a tierra según todos los códigos y reglamentos. El enchufe y el tomacorriente deben asemejarse a los de la Figura A.

#### Herramientas con doble aislamiento: Herramientas con clavijas de dos patas

Las herramientas marcadas con "Doble aislamiento" no requieren conectarse "a tierra". Estas herramientas tienen un sistema aislante que satisface los estándares de OSHA y llena los estándares aplicables de UL (Underwriters Laboratories), de la Asociación Canadiense de Estándares (CSA) y el Código Nacional de Electricidad. Las herramientas con doble aislamiento pueden ser usadas en cualquiera de los toma corriente de 120 Volt mostrados en las Figuras B y C.

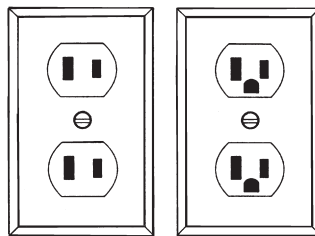


Fig. B

Fig. C

## EXTENSIONES ELÉCTRICAS

Las herramientas que deben conectarse a tierra cuentan con clavijas de tres patas y requieren que las extensiones que se utilicen con ellas sean también de tres cables. Las herramientas con doble aislamiento y clavijas de dos patas pueden utilizarse indistintamente con extensiones de dos a tres cables. El calibre de la extensión depende de la distancia que exista entre la toma de la corriente y el sitio donde se utilice la herramienta. El uso de extensiones inadecuadas puede causar serias caídas en el voltaje, resultando en pérdida de potencia y posible daño a la herramienta. La tabla que aquí se ilustra sirve de guía para la adecuada selección de la extensión.

Mientras menor sea el número del calibre del cable, mayor será la capacidad del mismo. Por ejemplo, un cable calibre 14 puede transportar una corriente mayor que un cable calibre 16. Cuando use mas de una extensión para lograr el largo deseado, asegúrese que cada una tenga al menos, el mínimo tamaño de cable requerido. Si está usando un cable de extensión para mas de una herramienta, sume los amperes de las varias placas y use la suma para determinar el tamaño mínimo del cable de extensión.

#### Guías para el uso de cables de extensión

- Si está usando un cable de extensión en sitios al aire libre, asegúrese que está marcado con el sufijo "W-A" ("W" en Canadá) el cual indica que puede ser usado al aire libre.
- Asegúrese que su cable de extensión está correctamente cableado y en buenas condiciones eléctricas. Cambie siempre una extensión dañada o hágala reparar por una persona calificada antes de volver a usarla.
- Proteja su extensión eléctrica de objetos cortantes, calor excesivo o areas mojadas.

#### Calibre mínimo recomendado para cables de extensiones eléctricas\*

Amperes (En la placa)	Largo de cable de Extensión en(m)					
	7,6	15,2	22,8	30,4	45,7	60,9
0 - 5,0	16	16	16	14	12	12
5,1 - 8,0	16	16	14	12	10	--
8,1 - 12,0	14	14	12	10	--	--
12,1 - 15,0	12	12	10	10	--	--
15,1 - 20,0	10	10	10	--	--	--

\* Basado en limitar la caída en el voltaje a 5 volts al 150% de los amperes.

#### LEA Y GUARDE TODAS LAS INSTRUCCIONES PARA FUTURAS REFERENCIAS.

## ENSAMBAJE DE LA HERRAMIENTA



### ¡ADVERTENCIA!

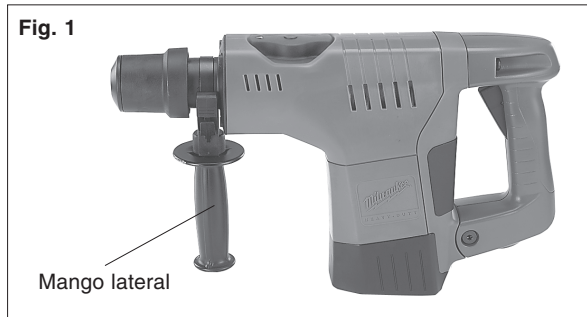
Para reducir el riesgo de lesiones, desenchufe siempre la herramienta antes de fijar o retirar accesorios, o antes de efectuar ajustes. Utilice sólo los accesorios específicamente recomendados. El uso de otros accesorios puede ser peligroso.



### ¡ADVERTENCIA!

Para reducir el riesgo de lesiones, utilice siempre un mango lateral al trabajar con la herramienta. Sujete o mantenga de manera segura.

### Cómo ajustar la posición de la mango lateral (Fig. 1)

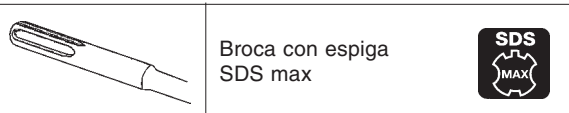
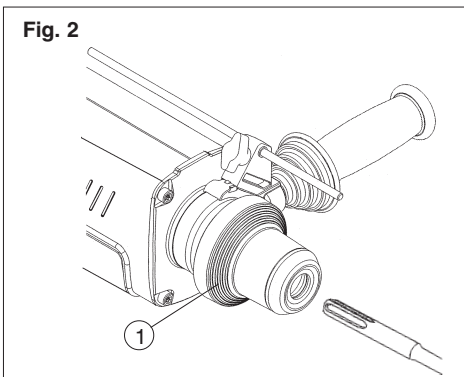


1. Afloje el mango lateral ligeramente destornillándolo en el sentido opuesto de las agujas del reloj.
2. Gire el mango lateral al ángulo requerido.
3. Apriete el mango con seguridad.

### Colocación de las brocas y los cincelos (Fig. 2) Sistema de arrastre SDS Max (Cat. No. 5314-21)

El Martillo rotatorio 5314-21 utiliza brocas de perforación SDS max y cincelos de acero de martillo.

Fig. 2



Broca con espiga SDS max



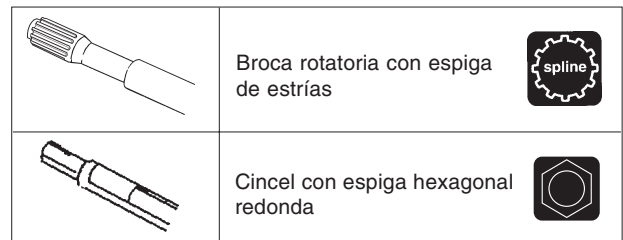
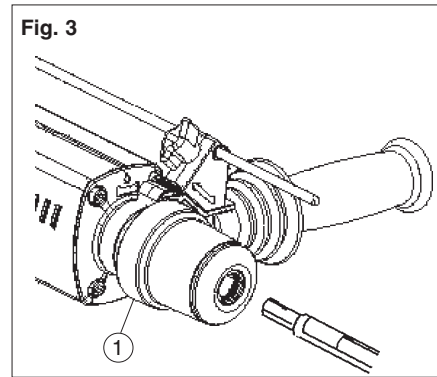
1. Inserte la broca o cincel en la nariz de la herramienta.
2. Gire la broca lentamente hasta que se alinee con el mecanismo asegurador.
3. Presione la broca en la herramienta hasta que se fije.
4. Asegúrese que la broca esté fija tirando de ella.
5. Para retirar las brocas y cincelos, tire del collar liberador (1) hacia la parte posterior de la herramienta y retire la broca.

**NOTA:** Tenga cuidado cuando maneje brocas y cincelos calientes.

### Colocación de las brocas y los cincelos (Fig. 3) Sistema de arrastre de estrías (Cat. No. 5318-21)

El Martillos rotatorios 5318-21 utiliza brocas de carburo con ejes de estrías y cincelos de acero de martillo con espigas hexagonales redondas.

Fig. 3



1. Inserte la broca o cincel en la nariz de la herramienta.  
Si se está usando una broca rotatoria, asegúrese que las estrías de la espiga se acoplan a las estrías en el interior de la nariz de la herramienta.  
Si se usa un cincel, asegúrese de que la muesca de la espiga está orientada hacia el seguro de la broca (Fig. 3).
2. Presione la broca en la herramienta hasta que se fije.
3. Asegúrese que la broca esté fija tirando de ella.
4. Para retirar las brocas y cincelos, tire del collar liberador (1) hacia la parte posterior de la herramienta y retire la broca.

**NOTA:** Tenga cuidado cuando maneje brocas y cincelos calientes.

Estos martillos rotatorios disponen de Circuito de control de información electrónica (EFCC) que ayuda en la operación y duración de la herramienta.

#### Arranque suave

La función de arranque suave reduce la cantidad de reacción de torsión a la herramienta y al usuario. Esta función aumenta gradualmente la velocidad del motor desde cero hasta la velocidad establecida con el cuadrante de control de velocidad.

#### Control de información

El sistema de control electrónico de velocidad permite a la herramienta mantener una velocidad constant entre condiciones de carga y no carga.



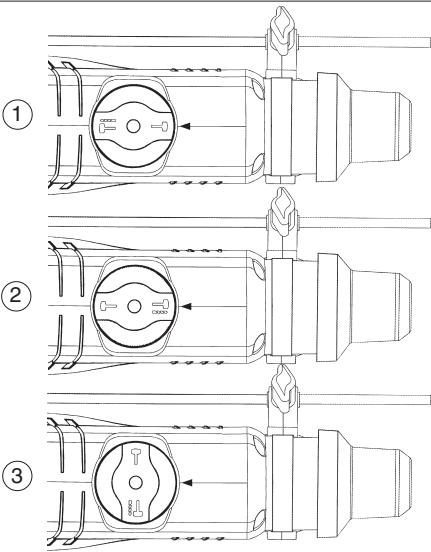
**¡ADVERTENCIA!**

Para reducir el riesgo de una lesión, use siempre lentes de seguridad o anteojos con protectores laterales.

#### Selección de la Acción (Fig. 4) (Catálogo No. 5314-21)

El Martillo Rotatorio 5314-21 incluye una manilla de parada de rotación. La manilla de parada de rotación puede ajustarse para “martilleo solamente”, “martilleo con rotación” o “ajuste del cincel”.

Fig. 4



1. **Martilleo solamente.** Para uso con accesorios de “martilleo solamente”. Utilice este reglaje (1) para cincelar o ajustar anclajes autoperforadores.
2. **Martilleo con rotación.** Utilice este reglaje (2) para taladrar orificios con brocas.
3. **Ajuste del cincel.** Utilice este reglaje (3) para ajustar el ángulo de la hoja del cincel en relación con la herramienta. Con un cincel montado en la herramienta:
  - gire la manilla hacia este reglaje
  - tuerza el cincel hasta el ángulo deseado
  - ajuste la herramienta para martilleo solamente

**NOTA:** Para hacer actuar el mecanismo de martilleo, mantenga la presión en la broca. Cuando se libera la presión en la broca, el martilleo se detendrá.



**¡ADVERTENCIA!**

Para reducir el riesgo de daños al usar los cincelos (u otros accesorios para martilleo solamente) en el Martillo rotatorio 5314-21, coloque la herramienta en la posición “martilleo solamente”.

#### Martilleo solamente

##### Sistema de arrastre SDS Max (Cat. No. 5314-21)

Cuando use cincelos (u otro accesorio para la función de “martilleo solamente”) en el Martillo rotatorio 5314-21, se DEBE colocar la perilla para detención de la rotación en “martilleo solamente”. El mecanismo de arrastre rotacional del 5314-21 se activa con el cincel (u otro accesorio de “martilleo solamente”) cuando está montado en la herramienta y la perilla para detención de la rotación está colocada en “martilleo con rotación”.

#### Martilleo solamente

##### Sistema de arrastre por estría (Cat. No. 5318-21)

Cuando se monta un cincel (u otro accesorio para la función de “martilleo solamente”) en el Martillos rotatorios 5318-21 el mecanismo impulsor rotatorio no se activa con el cincel.

#### Arranque y apagado de la herramienta

1. Para **arrancar** la herramienta, tire del gatillo.
2. Para **detenerla**, suelte el gatillo.

#### Inicio en frío

Puede suceder que si la herramienta ha estado guardada por mucho tiempo, o ha estado expuesta a bajas temperaturas, el mecanismo de percusión podría no funcionar debido a que el lubricante se ha endurecido. Para calentar la herramienta:

1. Coloque y asegure una broca o cincel en la herramienta.
2. Encienda la herramienta, aplicando fuerza a la broca o cincel, contra una superficie de concreto o de madera.
3. Accione y pare la herramienta repetidas veces con varios segundos de intervalo. En un momento la herramienta comenzará a martillar. Cuanto más fría esté la herramienta, más tiempo tardará en reaccionar.

El mango lateral funciona de una forma similar: la fuerza moderada del operador absorbe la vibración y una excesiva fuerza reduce este efecto.

#### Martilleo o martilleo con rotación

Coloque la unidad en posición, tome las empuñaduras firmemente y accione el gatillo.

Siempre mantenga firme la herramienta usando ambas manos y manteniendo el control. Use sólo la fuerza suficiente para mantener la herramienta en su lugar, evitando que la punta de la broca “baile”. Esta herramienta ha sido diseñada para alcanzar su máximo rendimiento con solamente una presión moderada. Deje que la herramienta haga el trabajo.

Si al estar perforando profundamente retire parcialmente la broca del agujero al tiempo que la herramienta todavía está funcionando para ayudar a eliminar el polvo.

**NOTA:** No aplique agua para limpiar el polvo pues atascará las estrías hechas por la broca y afectará a la misma atorándola. Si la broca se atasca, el embrague interconstruido no-ajustable evitará que la broca gire. Si esto ocurre, detenga la herramienta, libere la broca y comience de nuevo.



### Uso de brocas rotatorias de percusión cortadoras de corazón (Fig. 5-8)

Las brocas de percusión son útiles para la perforación de grandes agujeros para conductos y tuberías. Las brocas de percusión Heavy-Duty de *MILWAUKEE* tienen cuerpos de acero templado con puntas de carburo duraderas. Estas brocas están especialmente diseñadas para una perforación rápida y precisa con acción combinada de martilleo y rotación.

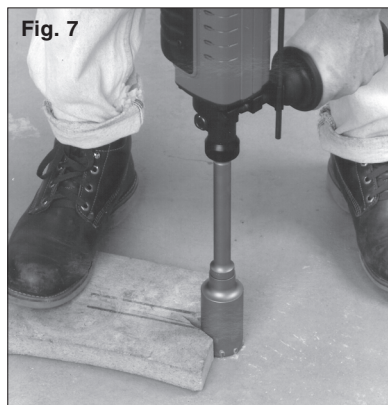
1. Limpie y lubrique los hilos de la cuerda del adaptador y de la broca de percusión para que cuando se cambie no cueste trabajo separarlos. Atornille el extremo de la cuerda del adaptador en la parte posterior de la broca de percusión.
2. Coloque el plato guía en el extremo con punta del pasador central. Inserte el pasador central y el conjunto del plato guía en la broca de percusión. Asegúrese de que el extremo de menor diámetro del pasador central está ubicado seguramente en el agujero del centro de la broca de percusión (Fig. 5).



3. Inserte el adaptador en la nariz de la herramienta tal y como se describe en "Instalación de brocas". Disponga la perilla para detención de la rotación en la posición de martilleo con rotación.
4. Presione firmemente el pasador central contra la marca donde se va a perforar, sujete la herramienta firmemente y accione el gatillo (Fig. 6).



**NOTA:** Si no se dispone del pasador central ni del plato guía, utilice una plantilla o tablero de muescas para iniciar el agujero (Fig. 7).



5. Ya habiendo perforado aproximadamente a la altura de los dientes de la broca de percusión, retire el pasador central y el plato guía de la broca de percusión. Reanude la perforación.
6. Para cambiar la broca de percusión, sostenga la herramienta hacia arriba, apuntando lejos de su cuerpo tal y como se muestra, y accione brevemente el gatillo para aflojar la broca de percusión del adaptador (Fig. 8).



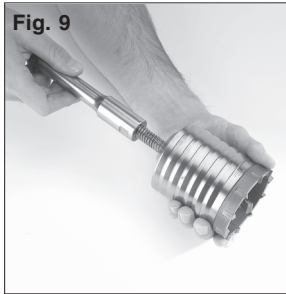
**NOTA:** Para hacer perforaciones de mayor profundidad, retire la broca de percusión, rompa y retire el cuerpo. Reanude la perforación.

### Uso de brocas rotatorias de percusión cortadoras de corazón LHS (Fig. 9-12)

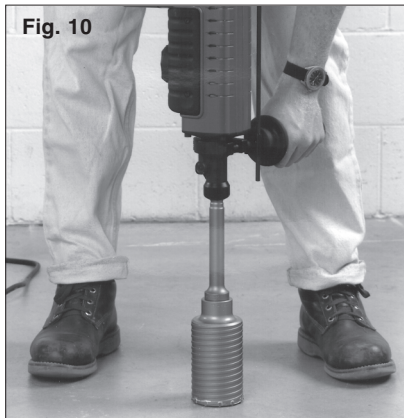
Las brocas de percusión LHS son útiles para la perforación de agujeros grandes y largos en concreto. Las brocas de percusión Heavy-Duty de *MILWAUKEE* tienen cuerpos de acero templado con puntas de carburo duraderas. Estas brocas están especialmente diseñadas para una perforación rápida y precisa con acción combinada de martilleo y rotación.

1. Limpie y lubrique los hilos de la cuerda del adaptador y de la broca de percusión para que cuando se cambie no cueste trabajo separarlos. Atornille el extremo de la cuerda del adaptador en la parte posterior de la broca de percusión. Enrosque la espiga del adaptador en la parte posterior de la broca de percusión.

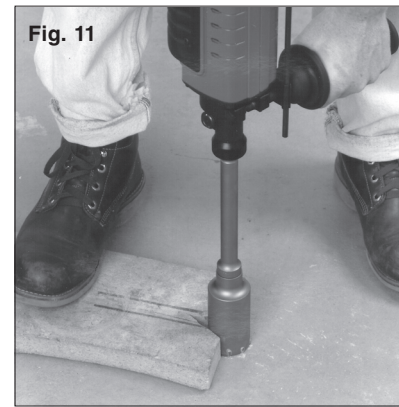
**NOTA:** Si utiliza un cordón de extensión, enrosque primero la espiga del adaptador en la extensión. Luego enrosque la broca de percusión en la extensión.



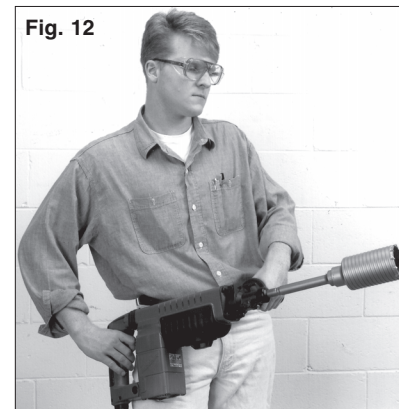
2. Inserte el adaptador en la nariz de la herramienta tal y como se describe en "Instalación de brocas". Disponga la perilla para detención de la rotación en la posición de martilleo con rotación.
3. Presione firmemente el pasador central contra la marca donde se va a perforar, sujete la herramienta firmemente y accione el gatillo (Fig. 10).



**NOTA:** Si se emplea el pasador roscado 48-20-5099, utilice una plantilla o tablero de muescas para iniciar el agujero (Fig. 11).



4. Para cambiar la broca de percusión, sostenga la herramienta hacia arriba, apuntando lejos de su cuerpo tal y como se muestra, y accione brevemente el gatillo para aflojar la broca de percusión del adaptador (Fig. 12).



**NOTA:** Para hacer perforaciones de mayor profundidad, retire la broca de percusión, rompa y retire el cuerpo. Reanude la perforación. Al perforar agujeros largos o profundos, tire de la broca parcialmente hacia afuera del agujero luego de cada pulgada de penetración mientras la herramienta aún se encuentra funcionando. Esta acción ayuda a despejar el polvo de las estrías de la broca. El polvo puede obstruir las estrías y hacer que la broca se atore en el agujero. Si esto ocurre, detenga la herramienta, libere la broca y comience nuevamente.

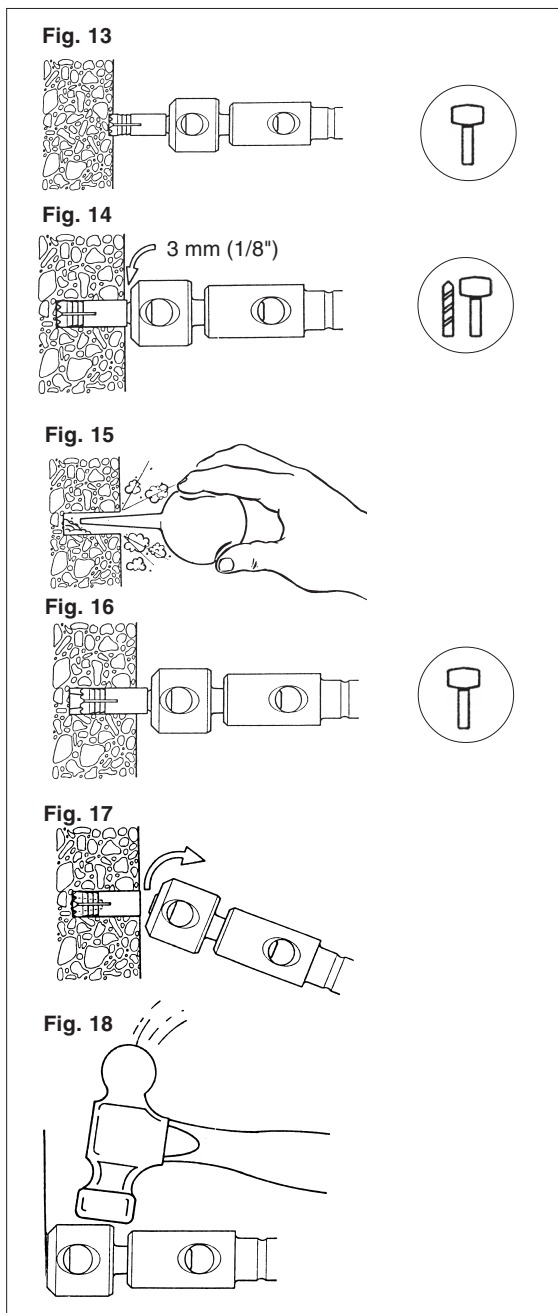
**¡ADVERTENCIA!**

Para reducir el riesgo de sufrir una lesión o de estropear la herramienta o el trabajo:

- Utilice siempre la función de “martilleo solamente” para ajustar el anclaje. No utilice nunca la función de “martilleo con rotación” para ajustar el anclaje.
- Nunca cambie la herramienta a la posición “martilleo con rotación” hasta después de haber colocado el anclaje y haber retirado el portaherramientas del anclaje.

**Colocación de anclajes de auto-perforación (Fig. 13-18) (Cat. No. 5314-21 solamente)**

El Martillos rotatorios 5314-21 cuentan con una perilla para detención de la rotación, con lo que se pueden colocar anclajes de auto-perforación de hasta 16 mm (5/8"). Los portaherramientas para anclajes *MILWAUKEE* requieren un adaptador cónico “B”.



1. Coloque el portaherramientas para anclajes de tamaño adecuado en el adaptador cónico tipo “B”. Luego coloque el adaptador “B” dentro de la herramienta y asegúrelo tal y como se describe en “Colocación de brocas y cinceles”.
2. Inserte el anclaje en el portaherramientas para anclaje. Coloque la perilla para detención de la rotación en la posición de martilleo solamente. Luego coloque el anclaje en el lugar indicado y martillee hasta que los dientes hayan penetrado en el concreto (Fig. 13).
3. Cambie la perilla para detención de la rotación a la posición de martilleo con rotación y perforo hasta que el portaherramientas este a unos 3 mm (1/8") por encima del concreto (Fig. 14).  
**NOTA:** Puede ser necesario limpiar varias veces el polvo y residuos del anclaje durante la operación.
4. Retire el anclaje de la perforación, con la unidad encendida. Limpie el polvo y residuos del anclaje apuntando el martillo hacia abajo, y encendiéndolo y apagándolo varias veces. Limpie el polvo de dentro de la perforación usando una aspiradora o una boca de soplado (Fig. 15).
5. Coloque el taco expandible en el interior del anclaje e inserte éste en la perforación. Cambie nuevamente la posición de la perilla para detención de rotación a martilleo solamente, y martillee firmemente el anclaje en la perforación (Fig. 16).
6. Desprenda la cabeza del anclaje. Para retirar la cabeza de anclajes de hasta 16 mm (5/8"), agarre las empuñaduras firmemente y tire de la herramienta hacia usted con un esfuerzo en seco (Fig. 17) o desprenda la cabeza del anclaje con un martillo de mano, tal y como se muestra (Fig. 18). El anclaje ya está listo para recibir un perno.
7. Para retirar la cabeza del anclaje incrustada en el portaherramientas de anclaje utilice un perno extractor 48-86-0100.
8. Para retirar el portaherramientas del anclaje, retire el adaptador “B” de la nariz de la herramienta. Inserte el perno extractor, que viene con el adaptador, en la perforación lateral que tiene el adaptador “B”, y golpee firmemente hasta que se desprenda el portaherramientas.

**Cinzelado y corte**

Los Martillos rotatorios de 40 mm (1-1/2") de *MILWAUKEE* pueden utilizarse para trabajos de corte y cinzelado.

Cuando cincele, mantenga la herramienta a un ángulo con la pieza de trabajo. Trabaje desde una esquina o cerca del borde del área de trabajo, rompiendo poco a poco, más que intentando romper un área demasiado grande.

Hay una variedad de accesorios disponibles.

	<b>Martelinas</b> Para superficies de concreto .
	<b>Cinceles para corte de mortero (Herramientas para rebordes)</b> Para la remoción de mortero viejo para plegado o calafateo.
	<b>Cinceles con punta</b> Para trabajos de demolición e inicio de perforación en losas de concreto.
	<b>Cinceles en frío</b> Para orillar, eliminar rebabas o para acanalar.
	<b>Cinceles desincrustadores</b> Para la remoción de salpicaduras de soldadura o incrustaciones, y corte de líneas rectas.
	<b>Cinzel de ranurado</b> Para acanalar o cortar entre agujeros perforados en concreto y mampostería.

## MANTENIMIENTO



Para reducir el riesgo de lesiones, desconecte siempre la herramienta antes de darle cualquier mantenimiento. Nunca desarme la herramienta ni trate de hacer modificaciones en el sistema eléctrico de la misma. Acuda siempre a un Centro de Servicio *MILWAUKEE* para TODAS las reparaciones.

### Mantenimiento de las herramientas

Adopte un programa regular de mantenimiento y mantenga su herramienta en buenas condiciones. Antes de usarla, examine las condiciones generales de la misma. Inspeccione guardas, interruptores, el cable de la herramienta y el cable de extensión. Busque tornillos sueltos o flojos, defectos de alineación y dobleces en partes móviles, así como montajes inadecuados, partes rotas y cualquier otra condición que pueda afectar una operación segura. Si detecta ruidos o vibraciones anormales, apague la herramienta de inmediato y corrija el problema antes de volver a usarla. No utilice una herramienta dañada. Colóquese una etiqueta que diga "NO DEBE USARSE" hasta que sea reparada (vea "Reparaciones").

Bajo condiciones normales, no se requiere lubricación hasta que haya que cambiar los carbones. Después de 6 meses a un año, dependiendo del uso dado, envíe su herramienta al Centro de Servicio *MILWAUKEE* más cercano para que le hagan:

- Lubricación
- Inspección y cambio de carbones
- Inspección mecánica y limpieza (engranes, flechas, baleros, carcarza, etc.)
- Inspección eléctrica (interruptor, cable, armadura, etc.)
- Probarla para asegurar una operación mecánica y eléctrica adecuada.



Para reducir el riesgo de lesiones, descarga eléctrica o daño a la herramienta, nunca la sumerja en líquidos ni permita que estos fluyan dentro de la misma.

### Limpieza

Limpie el polvo y suciedad de las ventilas. Mantenga las empuñaduras de la herramienta limpias, secas y libres de aceite y grasa. Use sólo jabón neutro y un trapo húmedo para limpiar su herramienta ya que algunas sustancias y disolventes limpiadores pueden ocasionar daños a materiales plásticos y partes aislantes. Algunos de estos incluyen: gasolina, trementina, diluyente para barniz, diluyente para pintura, disolventes limpiadores clorados, amoníaco, y detergentes caseros que contengan amoníaco.

### Reparaciones

Si se daña o descompone, envíe la herramienta y todos sus accesorios al centro de servicio más cercano de los listados en la cubierta posterior de este manual del operario.

## ACCESORIOS



Para reducir el riesgo de lesiones, desconecte siempre su herramienta antes de colocar o retirar un accesorio. Use solo accesorios recomendados específicamente. Otros pueden ser peligrosos.

Para una lista completa de accesorios, refiérase a su catálogo *MILWAUKEE* Electric Tool o visite nuestro sitio en Internet: [www.mil-electric-tool.com](http://www.mil-electric-tool.com). Para obtener un catálogo, contacte su distribuidor local o uno de los centros de servicio listos en la página de cubierta de este manual.

## GARANTÍA LIMITADA DE CINCO AÑOS

Todas las herramientas *MILWAUKEE* se prueban antes de abandonar la fábrica y se garantiza que no presentan defectos ni en el material ni de mano de obra. En el plazo de cinco (5) años a partir de la fecha de compra *MILWAUKEE* reparará o reemplazará (a discreción de *MILWAUKEE*), sin cargo alguno, cualquier herramienta (cargadores de baterías inclusive) cuyo examen determine que presenta defectos de material o de mano de obra. Devuelva la herramienta, con gastos de envío prepagados y asegurada, y una copia de la factura de compra, u otro tipo de comprobante de compra, a una sucursal de reparaciones/ventas de la fábrica *MILWAUKEE* o a un centro de reparaciones autorizado por *MILWAUKEE*. Esta garantía no cubre los daños ocasionados por reparaciones o intentos de reparación por parte de personal no autorizado por *MILWAUKEE*, abuso, desgaste y deterioro normal, falta de mantenimiento o accidentes.

Las baterías, linternas y radios tienen una garantía de un (1) año a partir de la fecha de compra.

LOS DERECHOS A REPARACIÓN Y REEMPLAZO DESCRITOS EN EL PRESENTE DOCUMENTO SON EXCLUSIVOS. *MILWAUKEE* NO SERÁ EN NINGÚN CASO RESPONSABLE DE DAÑOS INCIDENTALES, ESPECIALES O CONSECUENTES, INCLUYENDO LA PÉRDIDA DE GANANCIAS.

ESTA GARANTÍA ES EXCLUSIVA Y SUSTITUYE A TODA OTRA GARANTÍA, O CONDICIONES, ESCRITAS U ORALES, EXPRESAS O IMPLÍCITAS DE COMERCIALIZACIÓN O IDONEIDAD PARA UN USO O FIN DETERMINADO.

Esta garantía le proporciona derechos legales específicos. Es posible que usted tenga otros derechos que varían de estado a estado y de provincia a provincia. En aquellos estados que no permiten la exclusión de garantías implícitas o la limitación de daños incidentales o consecuentes, las limitaciones anteriores pueden que no apliquen. Esta garantía es válida solamente en los Estados Unidos, Canadá y México.



## **UNITED STATES**

### **MILWAUKEE Service**

To locate the *factory* SERVICE CENTER or authorized service station nearest you, call

**1-800-414-6527**

TOLL FREE • NATIONWIDE

Monday-Friday • 8:00 AM - 4:30 PM • Local Time

In addition, there is a worldwide network of distributors ready to assist you. Check your "Yellow Pages" under "Tools-Electric" for the names of those nearest you.

For further information on *factory* SERVICE CENTER or authorized service station locations, visit our website at:

**[www.mil-electric-tool.com](http://www.mil-electric-tool.com)**

Corporate Product Service Support -  
Warranty and Technical Information

Brookfield, Wisconsin USA

**1-800-729-3878**

## **CANADA**

### **Service MILWAUKEE**

#### **Milwaukee Electric Tool (Canada) Ltd**

755 Progress Avenue

Scarborough, Ontario M1H 2W7

Tel. (416) 439-4181

Fax: (416) 439-6210

En outre le réseau de distributeurs est à la disposition de la clientèle d'un océan à l'autre. Consultez les pages jaunes de l'annuaire téléphonique pour l'adresse du centre le plus près de chez vous.

In addition, there is a worldwide network of distributors ready to assist you. Check your "Yellow Pages" under "Tools-Electric" for the names of those nearest you.

## **MEXICO**

### **Servicios de MILWAUKEE**

#### **Milwaukee Electric Tool**

División de : Atlas Copco Mexicana S.A. de C.V.

Blvd. Abraham Lincoln no. 13

Colonia Los Reyes Zona Industrial

Tlalnepantla, Edo. México C.P. 54073

Tels. 5565-1414 5565-4720

Fax: 5565-0925

Además se cuenta con una red nacional de distribuidores listos para apoyarlo. Vea en las "Páginas Amarillas" sección "Herramientas Eléctricas".

## **MILWAUKEE ELECTRIC TOOL CORPORATION**

**A Company within the Atlas Copco Group**

**13135 West Lisbon Road • Brookfield, Wisconsin, U.S.A. 53005**



## Free Manuals Download Website

<http://myh66.com>

<http://usermanuals.us>

<http://www.somanuals.com>

<http://www.4manuals.cc>

<http://www.manual-lib.com>

<http://www.404manual.com>

<http://www.luxmanual.com>

<http://aubethermostatmanual.com>

Golf course search by state

<http://golfingnear.com>

Email search by domain

<http://emailbydomain.com>

Auto manuals search

<http://auto.somanuals.com>

TV manuals search

<http://tv.somanuals.com>