



**OPERATOR'S MANUAL  
MANUEL de L'UTILISATEUR  
MANUAL del OPERADOR**

**Catalog No.  
No de Cat.  
Catálogo No.**

**5303-20**



**ROTARY HAMMERS  
MARTEAU ROTATIF  
MARTILLOS ROTATORIOS**

***TO REDUCE THE RISK OF INJURY, USER MUST READ AND UNDERSTAND OPERATOR'S MANUAL.***

***AFIN DE RÉDUIRE LE RISQUE DE BLESSURES, L'UTILISATEUR DOIT LIRE ET BIEN COMPRENDRE LE MANUEL DE L'UTILISATEUR.***

***PARA REDUCIR EL RIESGO DE LESIONES, EL USUARIO DEBE LEER Y ENTENDER EL MANUAL DEL OPERADOR.***

## GENERAL SAFETY RULES



### WARNING!

#### **READ AND UNDERSTAND ALL INSTRUCTIONS.**


Failure to follow all instructions listed below, may result in electric shock, fire and/or serious personal injury.

#### **SAVE THESE INSTRUCTIONS.**

### WORK AREA

1. **Keep your work area clean and well lit.** Cluttered benches and dark areas invite accidents.
2. **Do not operate power tools in explosive atmospheres, such as in the presence of flammable liquids, gases, or dust.** Power tools create sparks which may ignite the dust or fumes.
3. **Keep bystanders, children, and visitors away while operating a power tool.** Distractions can cause you to lose control. Protect others in the work area from debris such as chips and sparks. Provide barriers or shields as needed.

### ELECTRICAL SAFETY

4. **Grounded tools must be plugged into an outlet properly installed and grounded in accordance with all codes and ordinances. Never remove the grounding prong or modify the plug in any way. Do not use any adaptor plugs. Check with a qualified electrician if you are in doubt as to whether the outlet is properly grounded.** If the tools should electrically malfunction or break down, grounding provides a low resistance path to carry electricity away from the user.
5. **Double Insulated tools are equipped with a polarized plug (one blade is wider than the other). This plug will fit in a polarized outlet only one way. If the plug does not fit fully in the outlet, reverse the plug. If it still does not fit, contact a qualified electrician to install a polarized outlet. Do not change the plug in any way.** Double insulation  eliminates the need for the three wire grounded power cord and grounded power supply system.
6. **Avoid body contact with grounded surfaces such as pipes, radiators, ranges and refrigerators.** There is an increased risk of electric shock if your body is grounded.
7. **Do not expose power tools to rain or wet conditions.** Water entering a power tool will increase the risk of electric shock.
8. **Do not abuse the cord. Never use the cord to carry the tools or pull the plug from an outlet. Keep cord away from heat, oil, sharp edges or moving parts. Replace damaged cords immediately.** Damaged cords increase the risk of electric shock.
9. **When operating a power tool outside, use an outdoor extension cord marked "W-A" or "W".** These cords are rated for outdoor use and reduce the risk of electric shock.

### PERSONAL SAFETY

10. **Stay alert, watch what you are doing, and use common sense when operating a power tool. Do not use tool while tired or under the influence of drugs, alcohol, or medication.** A moment of inattention while operating power tools may result in serious personal injury.
11. **Dress properly. Do not wear loose clothing or jewelry. Contain long hair. Keep your hair, clothing, and gloves away from moving parts.** Loose clothes, jewelry, or long hair can be caught in moving parts.

12. **Avoid accidental starting. Be sure switch is off before plugging in.** Carrying tools with your finger on the switch or plugging in tools with the switch on invites accidents.
13. **Remove adjusting keys or wrenches before turning on the tool.** A wrench or a key that is left attached to a rotating part of the tool may result in personal injury.
14. **Do not overreach. Keep proper footing and balance at all times.** Proper footing and balance enables better control of the tool in unexpected situations.
15. **Use safety equipment. Always wear eye protection.** Dust mask, non-skid safety shoes, hard hat, or hearing protection must be used for appropriate conditions.

### TOOL USE AND CARE

16. **Use clamps or other practical way to secure and support the workpiece to a stable platform.** Holding the work by hand or against your body is unstable and may lead to loss of control.
17. **Do not force tool. Use the correct tool for your application.** The correct tool will do the job better and safer at the rate for which it is designed.
18. **Do not use tool if switch does not turn it on or off.** Any tool that cannot be controlled with the switch is dangerous and must be repaired.
19. **Disconnect the plug from the power source before making any adjustments, changing accessories, or storing the tool.** Such preventive safety measures reduce the risk of starting the tool accidentally.
20. **Store idle tools out of reach of children and other untrained persons.** Tools are dangerous in the hands of untrained users.
21. **Maintain tools with care. Keep cutting tools sharp and clean.** Properly maintained tools with sharp cutting edge are less likely to bind and are easier to control. Do not use a damaged tool. Tag damaged tools "Do not use" until repaired.
22. **Check for misalignment or binding of moving parts, breakage of parts, and any other condition that may affect the tool's operation. If damaged, have the tool serviced before using.** Many accidents are caused by poorly maintained tools.
23. **Use only accessories that are recommended by the manufacturer for your model.** Accessories that may be suitable for one tool, may become hazardous when used on another tool.

### SERVICE





24. **Tool service must be performed only by qualified repair personnel.** Service or maintenance performed by unqualified personnel could result in a risk of injury.
25. **When servicing a tool, use only identical replacement parts. Follow instructions in the Maintenance section of this manual.** Use of unauthorized parts or failure to follow Maintenance Instructions may create a risk of electric shock or injury.

## SPECIFIC SAFETY RULES

1. **Hold tool by insulated gripping surfaces when performing an operation where the cutting tool may contact hidden wiring or its own cord.** Contact with a "live" wire will make exposed metal parts of the tool "live" and shock the operator.
2. **Wear ear protectors when using the tool for extended periods.** Prolonged exposure to high intensity noise can cause hearing loss.
3. **Keep hands away from all cutting edges and moving parts.**
4. **Maintain labels and nameplates.** These carry important information. If unreadable or missing, contact a *MILWAUKEE* service facility for a free replacement.
5. **WARNING!** Some dust created by power sanding, sawing, grinding, drilling, and other construction activities contains chemicals known to cause cancer, birth defects or other reproductive harm. Some examples of these chemicals are:
  - lead from lead-based paint
  - crystalline silica from bricks and cement and other masonry products, and
  - arsenic and chromium from chemically-treated lumber.

Your risk from these exposures varies, depending on how often you do this type of work. To reduce your exposure to these chemicals: work in a well ventilated area, and work with approved safety equipment, such as those dust masks that are specially designed to filter out microscopic particles.

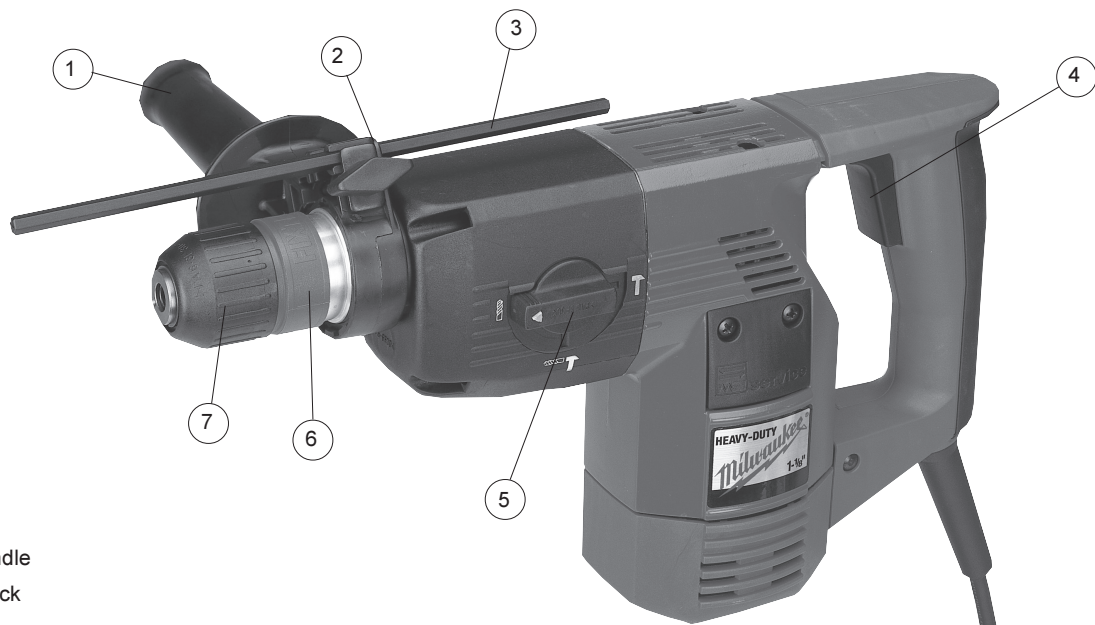
### Symbology

	Double Insulated
	Canadian Standards Association
	Underwriters Laboratories, Inc.
	Volts Alternating Current
$n_0$ <u>xxxx</u> /min.	No Load Revolutions per Minute
<b>A</b>	Amperes

### Specifications

Tool				Capacities		
				Drill Only (steel or wood)	Rotary Hammer (concrete)	
Cat. No.	Volts AC	No Load RPM	No Load Blows per Minute	Twist Drill Bit	Carbide Tipped Percussion Bit	Thin Wall Percussion Bit
5303-20	120	0-880	4100	5/8" - 1-1/2"	3/16" - 1-1/8"	3-1/2"

## FUNCTIONAL DESCRIPTION



1. Side handle
2. Clamping screw
3. Depth gauge
4. Trigger
5. Selector lever
6. Quik-Change spindle
7. Quik-Change chuck

## GROUNDING



### WARNING!

Improperly connecting the grounding wire can result in the risk of electric shock. Check with a qualified electrician if you are in doubt as to whether the outlet is properly grounded. Do not modify the plug provided with the tool. Never remove the grounding prong from the plug. Do not use the tool if the cord or plug is damaged. If damaged, have it repaired by a **MILWAUKEE** service facility before use. If the plug will not fit the outlet, have a proper outlet installed by a qualified electrician.

### Grounded Tools: Tools with Three Prong Plugs

Tools marked "Grounding Required" have a three wire cord and three prong grounding plug. The plug must be connected to a properly grounded outlet (See Figure A). If the tool should electrically malfunction or break down, grounding provides a low resistance path to carry electricity away from the user, reducing the risk of electric shock.

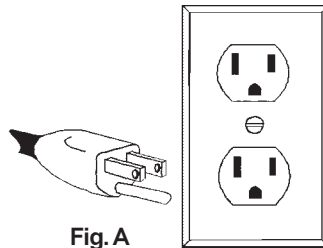


Fig. A

The grounding prong in the plug is connected through the green wire inside the cord to the grounding system in the tool. The green wire in the cord must be the only wire connected to the tool's grounding system and must never be attached to an electrically "live" terminal.

Your tool must be plugged into an appropriate outlet, properly installed and grounded in accordance with all codes and ordinances. The plug and outlet should look like those in Figure A.

### Double Insulated Tools: Tools with Two Prong Plugs

Tools marked "Double Insulated" do not require grounding. They have a special double insulation system which satisfies OSHA requirements and complies with the applicable standards of Underwriters Laboratories, Inc., the Canadian Standard Association and the National Electrical Code. Double Insulated tools may be used in either of the 120 volt outlets shown in Figures B and C.

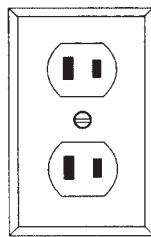


Fig. B

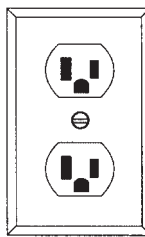


Fig. C

## EXTENSION CORDS

Grounded tools require a three wire extension cord. Double insulated tools can use either a two or three wire extension cord. As the distance from the supply outlet increases, you must use a heavier gauge extension cord. Using extension cords with inadequately sized wire causes a serious drop in voltage, resulting in loss of power and possible tool damage. Refer to the table shown to determine the required minimum wire size.

The smaller the gauge number of the wire, the greater the capacity of the cord. For example, a 14 gauge cord can carry a higher current than a 16 gauge cord. When using more than one extension cord to make up the total length, be sure each cord contains at least the minimum wire size required. If you are using one extension cord for more than one tool, add the nameplate amperes and use the sum to determine the required minimum wire size.

### Guidelines for Using Extension Cords

- If you are using an extension cord outdoors, be sure it is marked with the suffix "W-A" ("W" in Canada) to indicate that it is acceptable for outdoor use.
- Be sure your extension cord is properly wired and in good electrical condition. Always replace a damaged extension cord or have it repaired by a qualified person before using it.
- Protect your extension cords from sharp objects, excessive heat and damp or wet areas.

### Recommended Minimum Wire Gauge for Extension Cords\*

Nameplate Amperes	Extension Cord Length					
	25'	50'	75'	100'	150'	200'
0 - 5	16	16	16	14	12	12
5.1 - 8	16	16	14	12	10	--
8.1 - 12	14	14	12	10	--	--
12.1 - 15	12	12	10	10	--	--
15.1 - 20	10	10	10	--	--	--

\* Based on limiting the line voltage drop to five volts at 150% of the rated amperes.

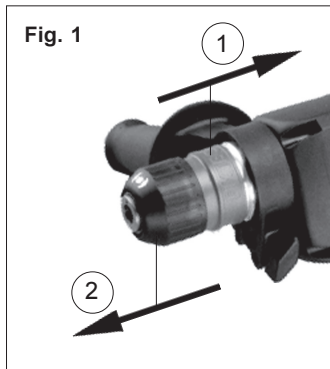
**READ AND SAVE ALL INSTRUCTIONS  
FOR FUTURE USE.**



**WARNING!**

To reduce the risk of injury, always unplug tool before attaching or removing accessories. Use only specifically recommended accessories. Others may be hazardous.

**Removing the Chuck (Fig. 1)**



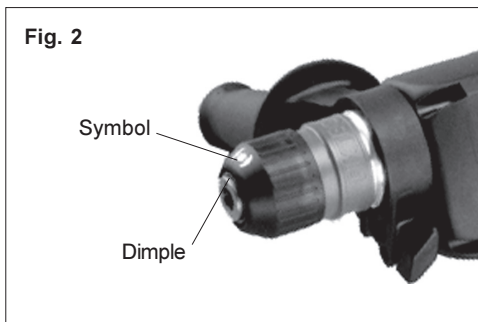
1. Hold the chuck firmly and pull back sleeve toward direction of arrow (1).
2. Chuck pops out of the spindle, hold it firmly (2).

**Inserting the Chuck**

1. Push chuck into spindle turning until locked into position.
2. Remember to clean and lightly grease the spindle from time to time.

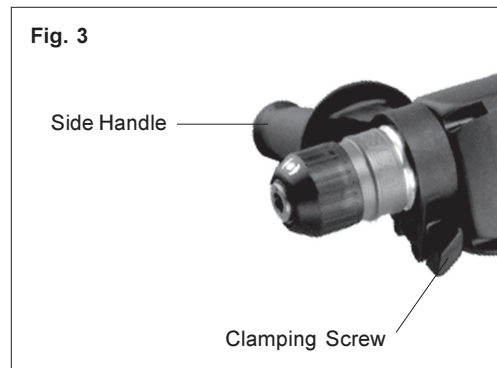
**Inserting Drill Bit or Chisel (Fig. 2)**

**NOTE:** Only use accessories with SDS-plus shank.



1. Align the symbol (●) with dimple on front of chuck.
2. Rotate bit slowly until it aligns with locking mechanism.
3. Push the bit in, turn it slightly until it can be pushed in completely and you can feel the notch fit into place.
4. Turn the chuck collar so that the symbol (●) aligns with dimple on front of the chuck. The tool should now be locked.
5. Check that the bit is locked properly — it should be possible to move it slightly.
6. To remove bits and chisels, turn chuck collar so that the symbol (●) aligns with dimple on the front of chuck. Remove bit.

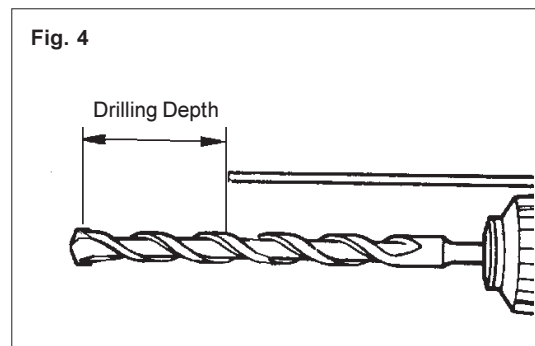
**Adjusting the Side Handle Position (Fig. 3)**



1. Loosen the clamping screw slightly.
2. Pull the side handle forward and turn it to the required angle.
3. Fit the side handle into the nonslip mounting until it adjusts into place and retighten the clamping screw.

**NOTE:** The side handle can be locked in increments of 30 degrees.

**Setting the Depth Gauge (Fig. 4)**



1. Loosen the clamping screw.
2. Slide the depth gauge rod backward or forward until it is set for the desired depth. **NOTE:** The drilling depth is the distance between the tip of the bit and the tip of the depth gauge rod.
3. Tighten the clamping screw securely.



## OPERATION

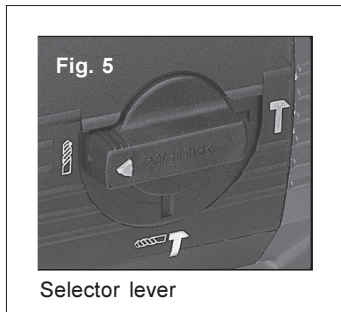





### WARNING!

To reduce the risk of injury, always wear eye protection.

### Selecting Action (Fig. 5)

MILWAUKEE Rotary Hammers have three settings: drilling, rotary hammer and hammering.



1. For drilling, turn the selector lever so the arrow on the lever points to the twist drill symbol .
2. For rotary hammering, turn the selector lever so the arrow points to the hammer and twist drill symbol .
3. For hammering only, turn the selector lever so the arrow points to the hammer symbol .

**NOTE:** To engage the hammering mechanism, maintain pressure on the bit. When pressure on the bit is released, the hammering action will stop.

### Starting, Stopping & Controlling Speed

1. To **start** the tool, pull trigger.
2. To **stop** the tool, release trigger.
3. To vary the speed, increase or decrease pressure applied to trigger.

### Operating

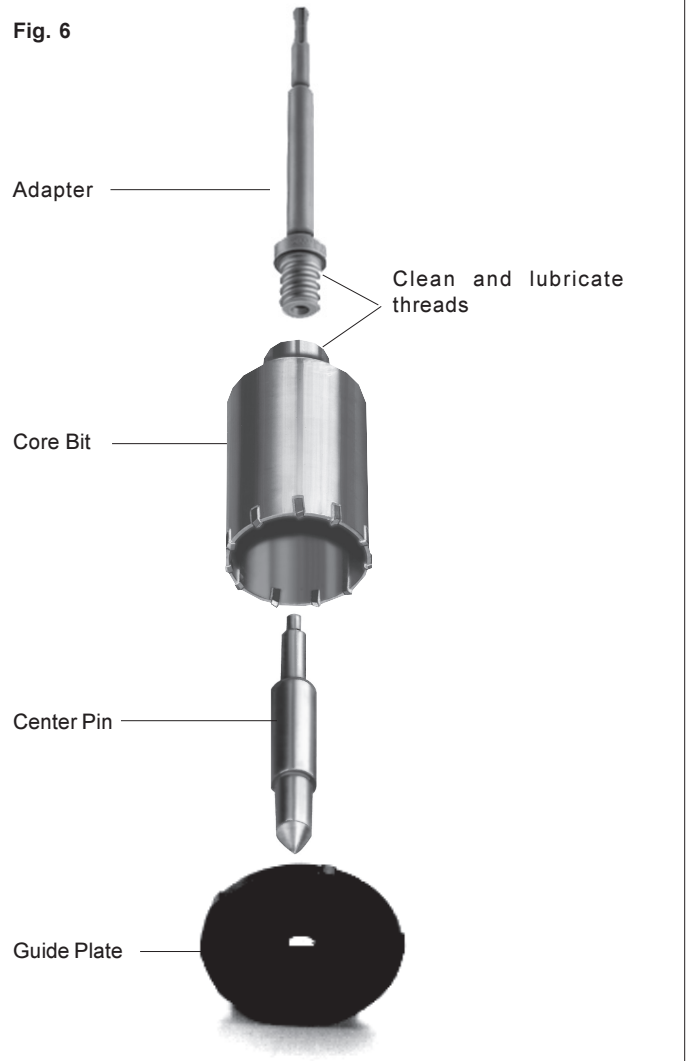
Position the tool, grasp the handles firmly and pull the trigger. Always hold the tool securely using both handles and maintain control. This tool has been designed to achieve top performance with only moderate pressure. Let the tool do the work.

If the speed begins to drop off when drilling deep holes, pull the bit partially out of the hole while the tool is running to help clear dust. Do not use water to settle the dust since it will clog the bit flutes and tend to make the bit bind in the hole. If the bit should bind, a built-in, non-adjustable slip clutch prevents the bit from turning. If this occurs, stop the tool, free the bit and begin again.

### Using Rotary Percussion Core Bits (Fig. 6)

Core bits are useful for drilling large holes for conduit and pipe. MILWAUKEE Heavy-Duty Thin Wall Core Bits have heat treated steel bodies with durable carbide tips. They are specially designed for fast, accurate drilling with combined hammering and rotary action.

Fig. 6



1. Clean and lubricate the threads on the adapter and core bit as indicated (Fig. 6) to make later removal easier. Screw the threaded end of the adapter into the rear of the core bit.
2. Push the guide plate onto the pointed end of the center pin. Insert the center pin guide plate assembly into the core bit. Be sure the small end of the center pin is securely placed into the hole in the center of the core bit.
3. Insert the adapter into the nose of the tool as described in "Inserting Drill Bit or Chisel". Set the rotary hammer/drill lever to rotary hammer.
4. Press the center pin firmly against your center mark, hold the tool firmly and pull the trigger.
5. After drilling to about the depth of the core bit teeth, remove the center pin and guide plate from the core bit. Resume drilling.
6. After you have finished drilling the hole, hold the tool upwards, pointing it away from your body, and run it briefly in forward to loosen the core bit from the adapter.

MILWAUKEE Heavy-Duty Thin Wall Core Bits drill holes up to 3" deep. To make deeper holes, remove the bit, break and remove the core. Resume drilling.

## MAINTENANCE



### WARNING!

To reduce the risk of injury, always unplug your tool before performing any maintenance. Never disassemble the tool or try to do any rewiring on the tool's electrical system. Contact a **MILWAUKEE** service facility for ALL repairs.

### Maintaining Tools

Keep your tool in good repair by adopting a regular maintenance program. Before use, examine the general condition of your tool. Inspect guards, switches, tool cord set and extension cord for damage. Check for loose screws, misalignment, binding of moving parts, improper mounting, broken parts and any other condition that may affect its safe operation. If abnormal noise or vibration occurs, turn the tool off immediately and have the problem corrected before further use. Do not use a damaged tool. Tag damaged tools "DO NOT USE" until repaired (see "Repairs").

Under normal conditions, relubrication is not necessary until the motor brushes need to be replaced. After six months to one year, depending on use, return your tool to the nearest **MILWAUKEE** service facility for the following:

- Lubrication
- Brush inspection and replacement
- Mechanical inspection and cleaning (gears, spindles, bearings, housing, etc.)
- Electrical inspection (switch, cord, armature, etc.)
- Testing to assure proper mechanical and electrical operation



### WARNING!

To reduce the risk of injury, electric shock and damage to the tool, never immerse your tool in liquid or allow a liquid to flow inside the tool.

### Cleaning

Clean dust and debris from vents. Keep the tool handles clean, dry and free of oil or grease. Use only mild soap and a damp cloth to clean your tool since certain cleaning agents and solvents are harmful to plastics and other insulated parts. Some of these include: gasoline, turpentine, lacquer thinner, paint thinner, chlorinated cleaning solvents, ammonia and household detergents containing ammonia. Never use flammable or combustible solvents around tools.

### Repairs

If your tool is damaged, return the entire tool to the nearest service center listed on the back cover of this operator's manual.

## WARRANTY

Every **MILWAUKEE** tool is thoroughly inspected and tested before leaving our manufacturing facilities. Should any trouble develop, return the complete tool prepaid to our Corporate Office, Branch Office/Service Center or nearest Authorized **MILWAUKEE** Service Station. If inspection shows the trouble is caused by defective workmanship or material, all repairs will be made without charge, and the tool will be returned, transportation prepaid. Battery packs for cordless tools are warranted for one year from the date of purchase.

This warranty does not apply where: (1) repairs or attempted repairs have been made by persons other than **MILWAUKEE** personnel or Authorized Service Station personnel; (2) repairs are required because of normal wear; (3) the tool has been abused or involved in an accident; (4) misuse is evident, such as caused by overloading the tool beyond its rated capacity; (5) the tool has been used after partial failure or (6) the tool has been used with an improper accessory. No other warranty, written or verbal, is authorized.

## ACCESSORIES



### WARNING!

To reduce the risk of injury, always unplug the tool before attaching or removing accessories. Use only specifically recommended accessories. Others may be hazardous.

For a complete listing of accessories refer to your **MILWAUKEE** Electric Tool catalog. To obtain a catalog, contact your local distributor or a service center listed on the back cover of this operator's manual.

### Carrying Case

Cat. No. 48-55-5303

Same as provided with the tool.

### Quick Change Chuck Adapter

Cat. No. 42-04-3600

For use with 1/2" Chuck Cat. No. 48-66-1360.

### Chuck Adapter

Cat. No. 48-03-3005

Converts universal drive to 1/2" - 20 thread. For use with 1/2" Chuck Cat. No. 48-66-1360.

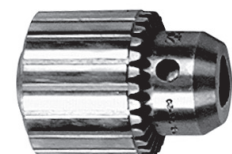
### 1/2" Chuck

Cat. No. 48-66-1360

For use with Chuck Adapters Cat. No. 48-03-3005 and 42-04-3600. Not recommended for hammering applications. Use with drilling action only. Key included.



Cat. No. 48-03-3005



Cat. No. 48-66-1360

## RÈGLES DE SÉCURITÉ GÉNÉRALES



### AVERTISSEMENT!

#### **VOUS DEVEZ LIRE ET COMPRENDRE TOUTES LES INSTRUCTIONS.**


Le non-respect, même partiel, des instructions ci-après entraîne un risque de choc électrique, d'incendie et/ou de blessures graves.

#### **CONSERVEZ CES INSTRUCTIONS.**

### AIRE DE TRAVAIL

1. **Veillez à ce que l'aire de travail soit propre et bien éclairée.** Le désordre et le manque de lumière favorisent les accidents.
2. **N'utilisez pas d'outils électriques dans une atmosphère explosive, par exemple en présence de liquides, de gaz ou de poussières inflammables.** Les outils électriques créent des étincelles qui pourraient enflammer les poussières ou les vapeurs.
3. **Tenez à distance les curieux, les enfants et les visiteurs pendant que vous travaillez avec un outil électrique.** Ils pourraient vous distraire et vous faire faire une fausse manoeuvre. Installez des barrières ou des écrans protecteurs si nécessaire.

### SÉCURITÉ ÉLECTRIQUE

4. **Les outils mis à la terre doivent être branchés dans une prise de courant correctement installée et mise à la terre conformément à tous les codes et règlements pertinents. Ne modifiez jamais la fiche de quelque façon que ce soit, par exemple en enlevant la broche de mise à la terre. N'utilisez pas d'adaptateur de fiche. Si vous n'êtes pas certain que la prise de courant est correctement mise à la terre, adressez-vous à un électricien qualifié.** En cas de défaillance ou de défektivité électrique de l'outil, une mise à la terre offre un trajet de faible résistance à l'électricité qui autrement risquerait de traverser l'utilisateur.
5. **Les outils à double isolation sont équipés d'une fiche polarisée (une des lames est plus large que l'autre), qui ne peut se brancher que d'une seule façon dans une prise polarisée. Si la fiche n'entre pas parfaitement dans la prise, inversez sa position ; si elle n'entre toujours pas bien, demandez à un électricien qualifié d'installer une prise de courant polarisée. Ne modifiez pas la fiche de l'outil.** La double isolation  élimine le besoin d'un cordon d'alimentation à trois fils avec mise à la terre ainsi que d'une prise de courant mise à la terre.
6. **Évitez tout contact corporel avec des surfaces mises à la terre (tuyauterie, radiateurs, cuisinières, réfrigérateurs, etc.).** Le risque de choc électrique est plus grand si votre corps est en contact avec la terre.
7. **N'exposez pas les outils électriques à la pluie ou à l'eau.** La présence d'eau dans un outil électrique augmente le risque de choc électrique.
8. **Ne maltraitez pas le cordon. Ne transportez pas l'outil par son cordon et ne débranchez pas la fiche en tirant sur le cordon. N'exposez pas le cordon à la chaleur, à des huiles, à des arêtes vives ou à des pièces en mouvement. Remplacez immédiatement un cordon endommagé. Un cordon endommagé augmente le risque de choc électrique.**
9. **Lorsque vous utilisez un outil électrique à l'extérieur, employez un prolongateur pour l'extérieur marqué « W-A » ou « W ».** Ces cordons sont faits pour être utilisés à l'extérieur et réduisent le risque de choc électrique.

### SÉCURITÉ DES PERSONNES

10. **Restez alerte, concentrez-vous sur votre travail et faites preuve de jugement. N'utilisez pas un outil électrique si vous êtes fatigué ou sous l'influence de drogues, d'alcool ou de médicaments.** Un instant d'inattention suffit pour entraîner des blessures graves.
11. **Habillez-vous convenablement. Ne portez ni vêtements flottants ni bijoux. Confinez les cheveux longs. N'approchez jamais les cheveux, les vêtements ou les gants des pièces**

**en mouvement.** Des vêtements flottants, des bijoux ou des cheveux longs risquent d'être happés par des pièces en mouvement.

12. **Méfiez-vous d'un démarrage accidentel. Avant de brancher l'outil, assurez-vous que son interrupteur est sur ARRÊT.** Le fait de transporter un outil avec le doigt sur la détente ou de brancher un outil dont l'interrupteur est en position MARCHE peut mener tout droit à un accident.
13. **Enlevez les clés de réglage ou de serrage avant de démarrer l'outil.** Une clé laissée dans une pièce tournante de l'outil peut provoquer des blessures.
14. **Ne vous penchez pas trop en avant. Maintenez un bon appui et restez en équilibre en tout temps.** Une bonne stabilité vous permet de mieux réagir à une situation inattendue.
15. **Utilisez des accessoires de sécurité. Portez toujours des lunettes ou une visière.** Selon les conditions, portez aussi un masque antipoussière, des bottes de sécurité antidérapantes, un casque protecteur et/ou un appareil antibruit.

### UTILISATION ET ENTRETIEN DES OUTILS

16. **Immobilisez le matériau sur une surface stable au moyen de brides ou de toute autre façon adéquate.** Le fait de tenir la pièce avec la main ou contre votre corps offre une stabilité insuffisante et peut amener un dérapage de l'outil.
17. **Ne forcez pas l'outil. Utilisez l'outil approprié à la tâche.** L'outil correct fonctionne mieux et de façon plus sécuritaire. Respectez aussi la vitesse de travail qui lui est propre.
18. **N'utilisez pas un outil si son interrupteur est bloqué.** Un outil que vous ne pouvez pas commander par son interrupteur est dangereux et doit être réparé.
19. **Débranchez la fiche de l'outil avant d'effectuer un réglage, de changer d'accessoire ou de ranger l'outil.** De telles mesures préventives de sécurité réduisent le risque de démarrage accidentel de l'outil.
20. **Rangez les outils hors de la portée des enfants et d'autres personnes inexpérimentées.** Les outils sont dangereux dans les mains d'utilisateurs novices.
21. **Prenez soin de bien entretenir les outils. Les outils de coupe doivent être toujours bien affûtés et propres.** Des outils bien entretenus, dont les arêtes sont bien tranchantes, sont moins susceptibles de coincer et plus faciles à diriger. N'utilisez pas un outil défectueux. Fixez-y une étiquette marquée « Hors d'usage » jusqu'à ce qu'il soit réparé.
22. **Soyez attentif à tout désalignement ou coincement des pièces en mouvement, à tout bris ou à toute autre condition préjudiciable au bon fonctionnement de l'outil. Si vous constatez qu'un outil est endommagé, faites-le réparer avant de vous en servir.** De nombreux accidents sont causés par des outils en mauvais état.
23. **N'utilisez que des accessoires que le fabricant recommande pour votre modèle d'outil.** Certains accessoires peuvent convenir à un outil, mais être dangereux avec un autre.

### RÉPARATION

24. **La réparation des outils électriques doit être confiée à un réparateur qualifié.** L'entretien ou la réparation d'un outil électrique par un amateur peut avoir des conséquences graves.
25. **Pour la réparation d'un outil, n'employez que des pièces de rechange d'origine. Suivez les directives données à la section « Réparation » de ce manuel.** L'emploi de pièces non autorisées ou le non-respect des instructions d'entretien peut créer un risque de choc électrique ou de blessures.







## RÈGLES DE SÉCURITÉ SPÉCIFIQUES

1. Tenez l'outil par ses parties isolées lorsqu'il y a risque de contact de l'outil avec des fils sous tension ou même, le cordon de l'outil. Le contact d'une partie métallique de l'outil avec un fil « sous tension » comporte un risque de choc électrique.
2. Entretenez les étiquettes et marques du fabricant. Les indications qu'elles contiennent sont précieuses. Si elles deviennent illisibles ou se détachent, faites-les remplacer gratuitement à un centre de service MILWAUKEE accrédité.
3. L'exposition au bruit intense peut occasionner des troubles auditifs. Portez un protecteur anti-bruit lorsque vous utilisez l'outil pour une période prolongée.
4. Tenez les mains à l'écart des arêtes tranchantes et des pièces en mouvement.
5. **AVERTISSEMENT!** La poussière dégagée par perçage, sciage et autres travaux de construction contient des substances chimiques reconnues comme pouvant causer le cancer, des malformations congénitales ou d'autres troubles de reproduction. Voici quelques exemples de telles substances :
  - Le plomb contenu dans la peinture au plomb.
  - Le silice cristallin contenu dans la brique, le béton et divers produits de maçonnerie.
  - L'arsenic et le chrome servant au traitement chimique du bois.

Les risques associés à l'exposition à ces substances varient, dépendant de la fréquence des travaux. Afin de minimiser l'exposition à ces substances chimiques, assurez-vous de travailler dans un endroit bien aéré et d'utiliser de l'équipement de sécurité tel un masque antipoussière spécifiquement conçu pour la filtration de particules microscopiques.

### Pictographie

	Double Isolation
	l'Association canadienne de normalisation
	Underwriters Laboratories, Inc.
	Courant alternatif seul.
$n_{o} \text{xxxx} / \text{min.}$	T/Min. á vide
<b>A</b>	Ampères

### Spécifications

Outil				Capacité		
				Perçage seul. (bois ou acier)	Marteau rotatif (béton)	
No de Cat.	Volts CA	T/Min. á vide	Coups/Min. á vide	Forets heli.	Forets à percussion pointe carburée	Carottiers à percussion paroi mince
5303-20	120	0-880	4 100	5/8" - 1-1/2" (16mm - 38mm)	3/16" - 1-1/8" (4mm - 30mm)	3-1/2" (90mm)

## DESCRIPTION FONCTIONNELLE



1. Poignée latérale
2. Vis de fixation
3. Jauge de profondeur
4. Détente
5. Levier sélecteur
6. Pivot Quik-Change
7. Mandrin Quik-Change

## MISE À LA TERRE



Si le fil de mise à la terre est incorrectement raccordé, il peut en résulter des risques de choc électrique. Si vous n'êtes pas certain que la prise dont vous vous servez est correctement mise à la terre, faites-la vérifier par un électricien. N'altérez pas la fiche du cordon de l'outil. N'enlevez pas de la fiche, la dent qui sert à la mise à la terre. N'employez pas l'outil si le cordon ou la fiche sont en mauvais état. Si tel est le cas, faites-les réparer dans un centre-service **MILWAUKEE** accrédité avant de vous en servir. Si la fiche du cordon ne s'adapte pas à la prise, faites remplacer la prise par un électricien.

### Outils mis à la terre :

#### Outils pourvus d'une fiche de cordon à trois dents

Les outils marqués « Mise à la terre requise » sont pourvus d'un cordon à trois fils dont la fiche a trois dents. La fiche du cordon doit être branchée sur une prise correctement mise à la terre (voir Figure A). De cette façon, si une défectuosité dans le circuit électrique de l'outil survient, le relais à la terre fournira un conducteur à faible résistance pour décharger le courant et protéger l'utilisateur contre les risques de choc électrique.

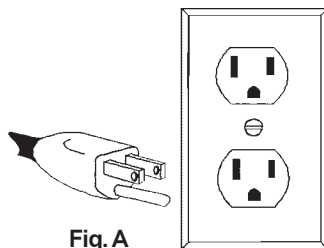


Fig. A

La dent de mise à la terre de la fiche est reliée au système de mise à la terre de l'outil via le fil vert du cordon. Le fil vert du cordon doit être le seul fil raccordé à un bout au système de mise à la terre de l'outil et son autre extrémité ne doit jamais être raccordée à une borne sous tension électrique.

Votre outil doit être branché sur une prise appropriée, correctement installée et mise à la terre conformément aux codes et ordonnances en vigueur. La fiche du cordon et la prise de courant doivent être semblables à celles de la Figure A.

### Outils à double isolation :

#### Outils pourvus d'une fiche de cordon à deux dents

Les outils marqués « Double Isolation » n'ont pas besoin d'être raccordés à la terre. Ils sont pourvus d'une double isolation conforme aux exigences de l'OSHA et satisfont aux normes de l'Underwriters Laboratories, Inc., de l'Association canadienne de normalisation (ACNOR) et du « National Electrical Code » (code national de l'électricité). Les outils à double isolation peuvent être branchés sur n'importe laquelle des prises à 120 volt illustrées ci-contre Figure B et C.

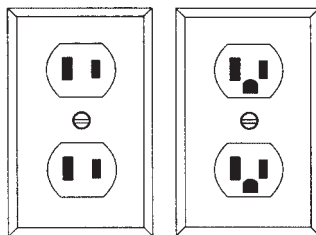


Fig. B

Fig. C

## CORDONS DE RALLONGE

Si l'emploi d'un cordon de rallonge est nécessaire, un cordon à trois fils doit être employé pour les outils mis à la terre. Pour les outils à double isolation, on peut employer indifféremment un cordon de rallonge à deux ou trois fils. Plus la longueur du cordon entre l'outil et la prise de courant est grande, plus le calibre du cordon doit être élevé. L'utilisation d'un cordon de rallonge incorrectement calibré entraîne une chute de voltage résultant en une perte de puissance qui risque de détériorer l'outil. Reportez-vous au tableau ci-contre pour déterminer le calibre minimum du cordon.

Moins le calibre du fil est élevé, plus sa conductivité est bonne. Par exemple, un cordon de calibre 14 a une meilleure conductivité qu'un cordon de calibre 16. Lorsque vous utilisez plus d'une rallonge pour couvrir la distance, assurez-vous que chaque cordon possède le calibre minimum requis. Si vous utilisez un seul cordon pour brancher plusieurs outils, additionnez le chiffre d'intensité (ampères) inscrit sur la fiche signalétique de chaque outil pour obtenir le calibre minimal requis pour le cordon.

### Directives pour l'emploi des cordons de rallonge

- Si vous utilisez une rallonge à l'extérieur, assurez-vous qu'elle est marquée des sigles « W-A » (« W » au Canada) indiquant qu'elle est adéquate pour usage extérieur.
- Assurez-vous que le cordon de rallonge est correctement câblé et en bonne condition. Remplacez tout cordon de rallonge détérioré ou faites-le remettre en état par une personne compétente avant de vous en servir.
- Tenez votre cordon de rallonge à l'écart des objets ranchants, des sources de grande chaleur et des endroits humides ou mouillés.

### Calibres minimaux recommandés pour les cordons de rallonge\*

Fiche signalétique Ampères	Longueur du cordon de rallonge (m)					
	7,6	15,2	22,8	30,4	45,7	60,9
0 - 5,0	16	16	16	14	12	12
5,1 - 8,0	16	16	14	12	10	--
8,1 - 12,0	14	14	12	10	--	--
12,1 - 15,0	12	12	10	10	--	--
15,1 - 20,0	10	10	10	--	--	--

\* Basé sur une chute de voltage limite de 5 volts à 150% de l'intensité moyenne de courant.

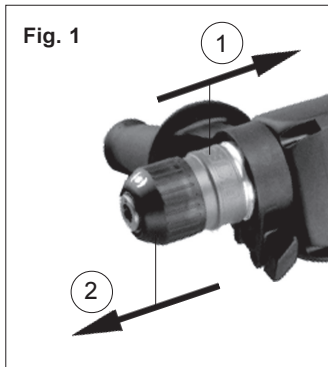
**LISEZ ATTENTIVEMENT CES INSTRUCTIONS  
ET CONSERVEZ-LES POUR LES  
CONSULTER AU BESOIN.**



**AVERTISSEMENT!**

Pour minimiser les risques de blessures, débranchez toujours l'outil avant d'y installer des accessoires ou d'en enlever. L'emploi d'accessoires autres que ceux qui sont recommandés pour cet outil peut comporter des risques.

**Retrait du mandrin (Fig. 1)**



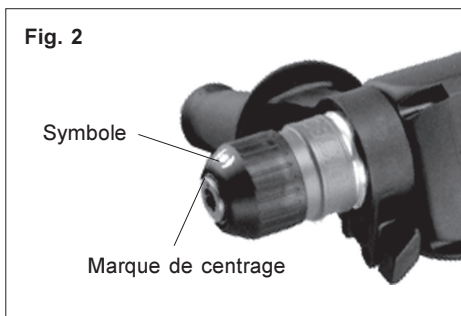
1. Tenez fermement le mandrin et tirez la douille dans le sens de la flèche (1).
2. Le mandrin va être éjecté du pivot, tenez-le fermement (2).

**Installation du mandrin**

1. Poussez le mandrin dans le pivot et tournez-le pour qu'il s'enclenche.
2. N'oubliez pas de nettoyer et lubrifier ponctuellement le pivot.

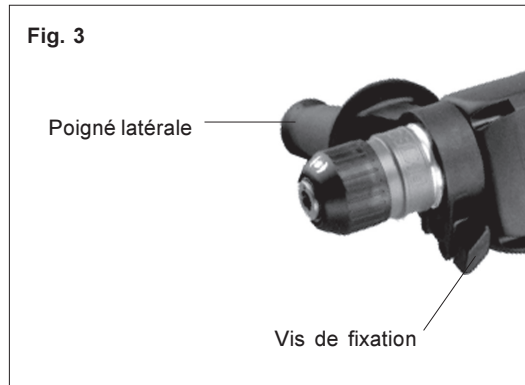
**Installation d'un foret à percussion ou d'un ciseau (Fig. 2)**

**NB** : N'utiliser que des outils pourvus d'une tige SDS-plus.



1. Alignez le symbole (●) sur la marque de centrage à l'avant du mandrin.
2. Tournez le foret lentement jusqu'à ce qu'elle s'aligne sur le mécanisme d'enclenchement.
3. Poussez le foret dans le mandrin, tournez-la légèrement pour qu'elle s'enfonce jusqu'au bout et s'enclenche.
4. Tournez le collet du mandrin pour que le symbole (⊕) s'aligne sur la marque de centrage à l'avant du mandrin. Maintenant, la foret devrait être verrouillée en place.
5. Lorsque le foret est correctement enclenchée, il serait être possible de la bouger.
6. Pour retirer le foret ou le ciseau du mandrin, tournez le collet du mandrin pour que le symbole (●) s'aligne sur la marque de centrage à l'avant du mandrin. Retirez la pièce.

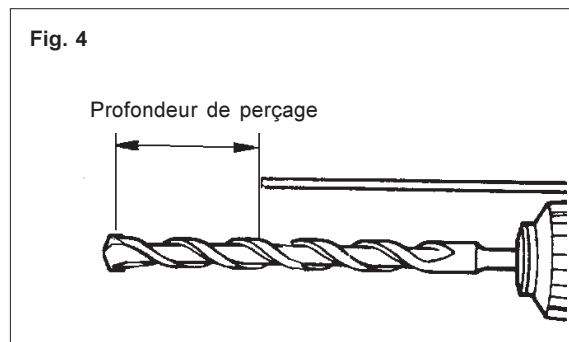
**Positionnement de la poignée latérale (Fig. 3)**



1. Desserrez légèrement la vis de fixation.
2. Tirez la poignée vers l'avant et faites-la pivoter à l'angle désiré.
3. Mettez la poignée latérale en position dans la fixation antidérapante puis resserrez la vis de fixation.

**NB** : La poignée latérale peut être positionnée à intervalles de 30°.

**Réglage de la jauge de profondeur (Fig. 4)**



1. Desserrez la vis de fixation.
2. Glissez la tige de la jauge vers l'arrière ou vers l'avant jusqu'à la profondeur désirée. **NB** : La profondeur de forage est la distance entre le bout du foret et le bout de la jauge de profondeur.
3. Serrez la vis de fixation à fond.

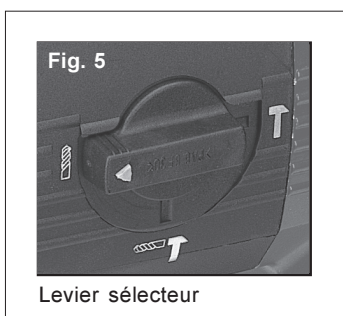





**AVERTISSEMENT!**

Pour minimiser les risques de blessures aux yeux, portez toujours de lunettes à coques latérales.

**Choix du mode de forage (Fig. 5)**

Les marteaux rotatifs *MILWAUKEE* sont pourvus de trois réglages: Forage en rotation, rotation avec percussion et percussion.



1. Pour forer en rotation, tournez le levier sélecteur pour que la flèche, apposée sur le levier, pointe vers le symbole de forage en rotation .
2. Pour la rotation avec percussion, tournez le levier sélecteur pour que la flèche pointe vers le symbole de rotation-percussion .
3. Pour la percussion sans rotation, tournez le levier sélecteur pour que la flèche pointe vers le symbole de percussion .

**N.B :** Pour engager le mécanisme de percussion, appliquez une pression sur le foret. La percussion va s'arrêter dès que la pression sera relâchée.

**Démarrage, arrêt et contrôle de la vitesse**

1. Pour **mettre** l'outil en marche, appuyez sur la détente.
2. Pour **arrêter** l'outil, relâchez la détente.
3. Pour varier la vitesse de rotation, augmentez ou diminuez la pression sur la détente.

**Maniement**

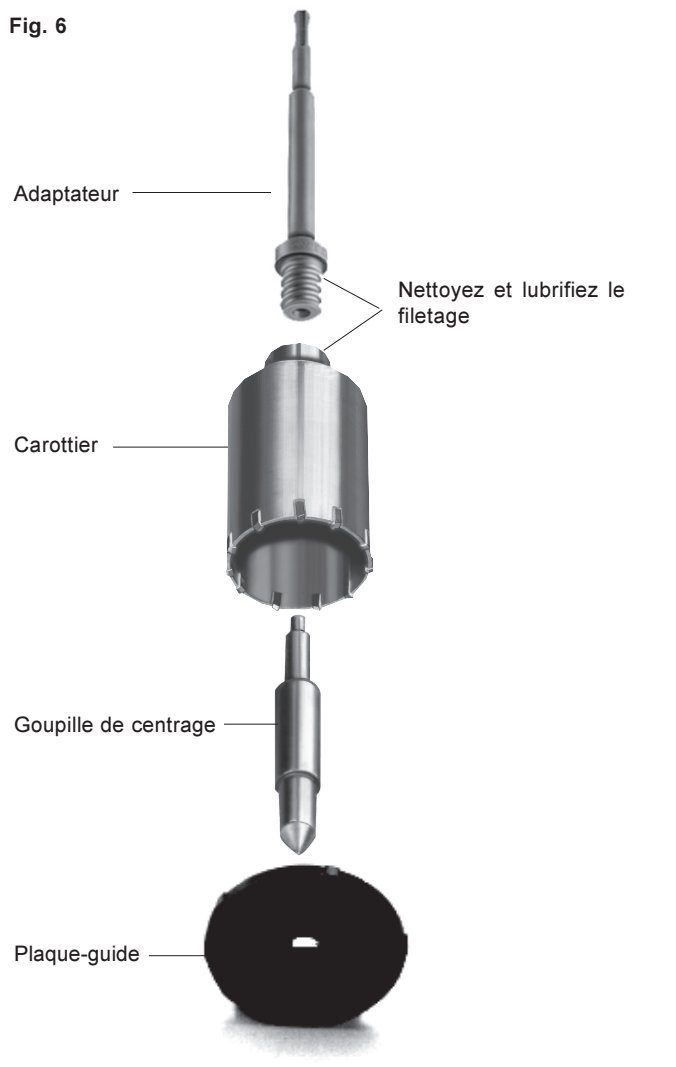
Placez l'outil et empoignez-le solidement puis appuyez sur la détente. Cet outil a été conçu pour fournir le meilleur rendement à pression modérée, laissez-le faire le travail.

Si, au cours du perçage d'un trou profond, la vitesse de rotation commence à diminuer, retirez partiellement le foret pendant qu'il tourne pour que les débris de forage soient éjectés. N'utilisez pas d'eau pour abattre la poussière pour éviter de bloquer les cannelures du foret et d'en occasionner le grippage. S'il arrive que le foret reste coincé, le dispositif d'accouplement à glissement non réglable intégré au mécanisme de l'outil arrêtera automatiquement la rotation du foret. En tel cas, relâchez la détente, dégagez le foret et recommencez à percer.

**Utilisation de carottiers à percussion (Fig. 6)**

Les carottiers à percussion sont utiles pour forer des trous d'un grand diamètre pour le passage des tuyaux et des conduites. Les carottiers *MILWAUKEE* extra robustes à paroi mince sont faits d'acier trempé et pourvus de pointes carburées durables. Ils sont conçus spécifiquement pour un forage rapide et précis employant l'action combinée de la rotation et de la percussion.

Fig. 6



1. Nettoyez et lubrifiez le filetage de l'adaptateur et du carottier tel qu'indiqué. Ceci rendra le démontage plus facile. Vissez le bout fileté de l'adaptateur dans l'arrière du carottier.
2. Poussez la plaque de guidage sur le bout pointu de la goupille de centrage. Insérez la goupille de centrage et la plaque de guidage ainsi reliées dans le carottier. Assurez-vous que le bout le plus petit de la goupille est bien en place dans le trou au centre du carottier.
3. Introduisez l'adaptateur dans le bec de l'outil et verrouillez-le tel qu'indiqué aux Installation d'un foret à percussion ou d'un ciseau « Installation d'un foret à percussion ou d'un ciseau ». Placez le levier sélecteur de rotation-percussion à la position de rotation avec percussion.
4. Appuyez fermement la goupille de centrage sur votre point de repère central, maintenez solidement l'outil et appuyez sur la détente.
5. Lorsque la profondeur du trou atteint l'épaisseur des dents du carottier, retirez la goupille de centrage et la plaque de guidage et continuez à percer.
6. Lorsque vous avez terminé le perçage d'un trou, pointez l'outil vers le haut en l'écartant de vous, et faites-le tourner un moment à vide pour desserrer le carottier de l'adaptateur.

Les carottiers *MILWAUKEE* extra robustes à paroi mince servent à percer des trous d'une profondeur maximale de 3" (76mm). Pour les trous plus profonds, retirez le carottier du trou, brisez et enlevez la carotte et reprenez le perçage.

## MAINTENANCE

### **AVERTISSEMENT!**

Pour minimiser les risques de blessures, débranchez toujours l'outil avant d'y effectuer des travaux de maintenance. Ne faites pas vous-même le démontage de l'outil ni le rebobinage du système électrique. Consultez un centre de service **MILWAUKEE** accrédité pour toutes les réparations.

#### Entretien de l'outil

Gardez l'outil en bon état en adoptant un programme d'entretien ponctuel. Avant de vous en servir, examinez son état en général. Inspectez-en la garde, interrupteur, cordon et cordon de rallonge pour en déceler les défauts. Vérifiez le serrage des vis, l'alignement et le jeu des pièces mobiles, les vices de montage, bris de pièces et toute autre condition pouvant en rendre le fonctionnement dangereux. Si un bruit ou une vibration insolite survient, arrêtez immédiatement l'outil et faites-le vérifier avant de vous en servir de nouveau. N'utilisez pas un outil défectueux. Fixez-y une étiquette marquée « HORS D'USAGE » jusqu'à ce qu'il soit réparé (voir « Réparations »).

Normalement, il ne sera pas nécessaire de lubrifier l'outil avant que le temps ne soit venu de remplacer les balais. Après une période pouvant aller de 6 mois à un an, selon l'usage, retournez votre outil à un centre de service **MILWAUKEE** accrédité pour obtenir les services suivants :

- Lubrification
- Inspection et remplacement des balais
- Inspection et nettoyage de la mécanique (engrenages, pivots, coussinets, boîtier etc.)
- Inspection électrique (interrupteur, cordon, induit etc.)
- Vérification du fonctionnement électromécanique

### **AVERTISSEMENT!**

Pour minimiser les risques de blessures, choc électrique et dommage à l'outil, n'immergez jamais l'outil et ne laissez pas de liquide s'y infiltrer.

#### Nettoyage

Débarassez les événements des débris et de la poussière. Gardez les poignées de l'outil propres, à sec et exemptes d'huile ou de graisse. Le nettoyage de l'outil doit se faire avec un linge humide et un savon doux. Certains nettoyants tels l'essence, la térébenthine, les diluants à laque ou à peinture, les solvants chlorés, l'ammoniaque et les détergents d'usage domestique qui en contiennent pourraient détériorer le plastique et l'isolation des pièces. Ne laissez jamais de solvants inflammables ou combustibles auprès des outils.

#### Réparations

Si votre outil doit être réparé, retournez-le en entier au centre-service le plus près selon la liste apparaissant à la dernière page de ce manuel.

## GARANTIE

Chaque outil fabriqué par **MILWAUKEE** est minutieusement vérifié avant de quitter l'usine. S'il survient un trouble, retournez l'outil port payé au siège social de la compagnie ou à une succursale ou un centre de service **MILWAUKEE** accrédité. Si l'examen de l'outil démontre que le trouble est dû à un défaut de fabrication ou de matériaux, les réparations seront effectuées gratuitement et l'outil vous sera retourné aux frais de la compagnie. Les batteries servant aux outils sans cordon sont garanties pour un an à compter de la date d'achat.

La présente garantie ne s'applique pas dans les cas suivants : (1) Des réparations ont été effectuées ou tentées par d'autres personnes que des techniciens mandatés par **MILWAUKEE** ou ses centres de service accrédités. (2) Les réparations sont rendues nécessaires par l'usure normale de l'outil. (3) L'outil a été employé abusivement ou a été endommagé accidentellement. (4) L'usage anormal ou la surcharge de l'outil sont évidents. (5) L'outil a été utilisé après une défaillance partielle. (6) L'outil a été employé avec un accessoire non compatible. Nulle autre garantie, tant écrite que verbale, n'est valable.

## ACCESSOIRES

### **AVERTISSEMENT!**

Pour minimiser les risques de blessures, débranchez toujours l'outil avant d'y installer ou d'en enlever les accessoires. L'emploi d'accessoires autres que ceux qui sont expressément recommandés pour cet outil peut présenter des risques.

Pour une liste complète des accessoires, prière de se reporter au catalogue **MILWAUKEE** Electric Tool. Pour obtenir un catalogue, il suffit de contacter votre distributeur local ou l'un des centres-service énumérés sur la page de couverture de ce manuel.

#### Coffret

No. de Catalogue 48-55-5303

Pareil à celui qui accompagne l'outil.

#### Quick Change Adaptateur de mandrin

No. de Catalogue 42-04-3600

Employé avec mandrin 1/2" (13mm) No de Cat. 48-66-1360.

#### Adaptateur de mandrin

No. de Catalogue 48-03-3005

Transforme le système d'entraînement universel en système 1/2" - 20 pas. Employé avec mandrin 1/2" (13mm) No de Cat. 48-66-1360.

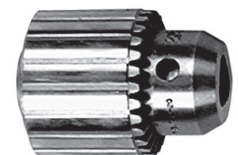
#### Mandrin 1/2" (13mm)

No. de Catalogue 48-66-1360

Employé avec l'adaptateur de mandrin Nos de Cat. 48-03-3005 et 42-04-3600. Non recommandable pour la percussion. À employer uniquement pour perçage en rotation. Clé incluse.



No de Cat. 48-03-3005



No de Cat. 48-66-1360



## REGLAS GENERALES DE SEGURIDAD



**¡ADVERTENCIA!**

### LEA Y ENTIENDA TODAS LAS INSTRUCCIONES

El no seguir las instrucciones a continuación puede ocasionar una descarga eléctrica, incendio y/o lesiones graves.

### GUARDE ESTAS INSTRUCCIONES

#### AREA DE TRABAJO

1. **Mantenga el área de trabajo limpia e iluminada.** Las mesas de trabajo desordenadas y las áreas con poca iluminación propician los accidentes.
2. **No opere las herramientas con motor en ambientes explosivos, tales como los ambientes con líquidos, gases o polvo inflamables.** Las herramientas con motor producen chispas que pueden inflamar el polvo o los gases.
3. **Mantenga a las personas alejadas mientras esté utilizando una herramienta con motor.** Las distracciones pueden causar la pérdida del control de la herramienta. Proteja a las demás personas en el área de trabajo contra escombros, tales como astillas y chispas. Instale barreras si se necesitan.

#### SEGURIDAD ELECTRICA

4. **Las herramientas conectadas a tierra deben estar enchufadas en un toma corriente que esté instalado correctamente y conectado a tierra de acuerdo con todos los códigos y ordenanzas vigentes.** Nunca retire la clavija de conexión a tierra o modifique el enchufe de ninguna manera. **No use enchufes adaptadores.** Consulte a un electricista capacitado si tiene dudas para asegurar que el tomacorriente esté correctamente conectado a tierra. Si las herramientas sufren fallas eléctricas, la conexión a tierra proporciona una trayectoria de baja resistencia para que el usuario no quede expuesto a la electricidad.
5. **Las herramientas con aislamiento doble están equipadas con un enchufe polarizado (una clavija es más ancha que la otra).** Hay una sola manera de introducir este enchufe en una toma polarizada. Si el enchufe no se ajusta completamente en la toma, dé vuelta el enchufe. Si el problema persiste, póngase en contacto con un electricista calificado para que instale una toma polarizada. **No cambie la toma de ninguna manera.** El aislamiento doble  elimina la necesidad de un cable de energía con conexión a tierra con 3 alambres y la de un sistema de suministro de energía con conexión a tierra.
6. **Evite contacto físico con las superficies conectadas a tierra, tales como tuberías, radiadores, cocinas y refrigeradores.** Existe un riesgo de un choque eléctrico mayor si su cuerpo está expuesto a tierra.
7. **No exponga las herramientas eléctricas a condiciones de lluvia o humedad.** El agua que entra en una herramienta eléctrica aumentará el riesgo de choque eléctrico.
8. **No maltrate el cable.** Nunca use el cable para transportar las herramientas ni para sacar el enchufe de la toma eléctrica. **Mantenga el cable lejos de calefacción, petróleo, bordes afilados o cualquier parte movable.** Reemplace inmediatamente cualquier cable dañado. Los cables dañados aumentan el riesgo de choque eléctrico.
9. **Al operar una herramienta eléctrica a la intemperie, use un cordón de extensión para la intemperie marcado "W-A" o "W".** Estos cordones están aprobados para usos exteriores y reducen el riesgo del choque eléctrico.

#### SEGURIDAD PERSONAL

10. **Esté alerta. Revise su trabajo y use el sentido común.** No opere su herramienta cuando esté cansado, distraído o bajo la influencia de drogas, alcohol o medicamentos. Un momento de descuido cuando operando un herramienta eléctrica puede resultar en lesiones graves.

11. **Utilice ropa adecuada.** No use ropa suelta o joyas. Mantenga el cabello largo, ropa y guantes alejados de las partes móviles.
12. **Evite los arranques accidentales.** Verifique que el interruptor esté apagado antes de enchufar la herramienta. Transportar la herramienta por el gatillo o enchufarla con el interruptor encendido puede ocasionar accidentes.
13. **Saque las llaves de ajuste antes de encender la herramienta.** Una llave sujeta a una parte en movimiento puede causar lesiones.
14. **No se esfuerce, mantenga el control y el balance en todo momento.** Mantenga siempre una postura y un balance adecuados. Una postura y un balance correctos otorga un mejor control ante situaciones inesperadas.
15. **Utilice el equipo de seguridad. Siempre use protección para los ojos.** Se debe usar una máscara contra el polvo, zapatos de seguridad antidelizantes, casco y protector para los oídos, cuando las condiciones así lo requieran.

#### USO Y MANTENIMIENTO DE LA HERRAMIENTA

16. **Utilice abrazaderas u otra manera práctica para sujetar y apoyar el material en una plataforma estable.** Tener el material en la mano o contra el cuerpo es inestable y puede causar la pérdida del control.
17. **No fuerce la herramienta. Utilice la herramienta apropiada para la aplicación.** La herramienta realizará el trabajo de manera más eficaz y segura, si la opera a la velocidad apropiada.
18. **Si el gatillo no enciende o apaga la herramienta, no utilice la herramienta.** Una herramienta que no se puede controlar con el gatillo es peligrosa y debe ser reparada.
19. **Desconecte el enchufe de la fuente de energía antes de realizar cualquier ajuste, cambiar los accesorios o almacenar la herramienta.** Tales medidas precautorias de seguridad reducen el riesgo de encender la herramienta accidentalmente.
20. **Almacene las herramientas que no se estén usando fuera del alcance de los niños y de personas que no estén capacitadas.** Es peligroso permitir a los usuarios utilizar las herramientas, si no están capacitados previamente.
21. **Mantenga las herramientas en buenas condiciones. Las herramientas cortadoras deben mantenerse afiladas y limpias.** Esto reduce el riesgo de que la herramienta se atasque y facilita el control de la misma. No utilice una herramienta dañada. Colóquela una etiqueta que diga "No Debe Usarse" hasta que sea reparada.
22. **Verifique que las partes en movimiento estén alineadas y no estén atascadas. También debe verificarse que las partes no estén rotas o tengan cualquier otra condición que pueda afectar el funcionamiento de la herramienta. Si está dañada, se debe reparar la herramienta antes de utilizarla.** Muchos accidentes se deben al mantenimiento incorrecto de la herramienta.
23. **Utilice solamente los accesorios recomendados por el fabricante para ese modelo.** Los accesorios que son apropiados para una herramienta pueden aumentar el riesgo de lesiones cuando se usan con otra herramienta.

#### SERVICIO


24. **El servicio de mantenimiento debe ser realizado solamente por personal técnico debidamente capacitado.** El servicio o mantenimiento realizado por personal no calificado puede aumentar el riesgo de lesiones.
25. **Cuando realice el servicio de mantenimiento, utilice solamente repuestos idénticos. Siga las instrucciones en la sección de mantenimiento de este manual.** El uso de partes no autorizadas o el incumplimiento de las instrucciones de mantenimiento puede aumentar el riesgo de descarga eléctrica o lesiones.

## REGLAS ESPECIFICAS DE SEGURIDAD

1. **Sostenga la herramienta por las superficies aisladas cuando realice una operación donde la herramienta cortadora puede entrar en contacto con alambres que no estén visibles o su propio cordón.** Hacer contacto con un alambre con corriente hará que las partes metálicas expuestas de la herramienta también tengan corriente y produzcan una descarga sobre el operador.
2. **Al manejar esta herramienta durante períodos prolongados utilice protectores para los oídos.** La exposición prolongada a altos niveles de ruido puede provocar pérdida de la audición.
3. **Mantenga las manos alejadas de todos los bordes cortadores y partes en movimiento.**
4. **Guarde las etiquetas y placas de especificaciones.** Estas tienen información importante. Si son ilegibles o si no se pueden encontrar, póngase en contacto con un centro de servicio de **MILWAUKEE** para una refacción gratis.
5. **¡ADVERTENCIA!** Algunas partículas de polvo resultantes del lijado mecánico, aserrado, esmerilado, taladrado y otras actividades relacionadas a la construcción, contienen sustancias químicas que se saben ocasionan cáncer, defectos congénitos u otros daños al aparato reproductivo. A continuación se citan algunos ejemplos de tales sustancias químicas:
  - plomo proveniente de pinturas con base de plomo
  - sílice cristalino proveniente de ladrillos, cemento y otros productos de albañilería y
  - arsénico y cromo provenientes de madera químicamente tratada.

El riesgo que usted sufre debido a la exposición varía dependiendo de la frecuencia con la que usted realiza estas tareas. Para reducir la exposición a estas sustancias químicas: trabaje en un área bien ventilada, y utilice equipo de seguridad aprobado como, por ejemplo, máscaras contra el polvo que hayan sido específicamente diseñadas para filtrar partículas microscópicas.

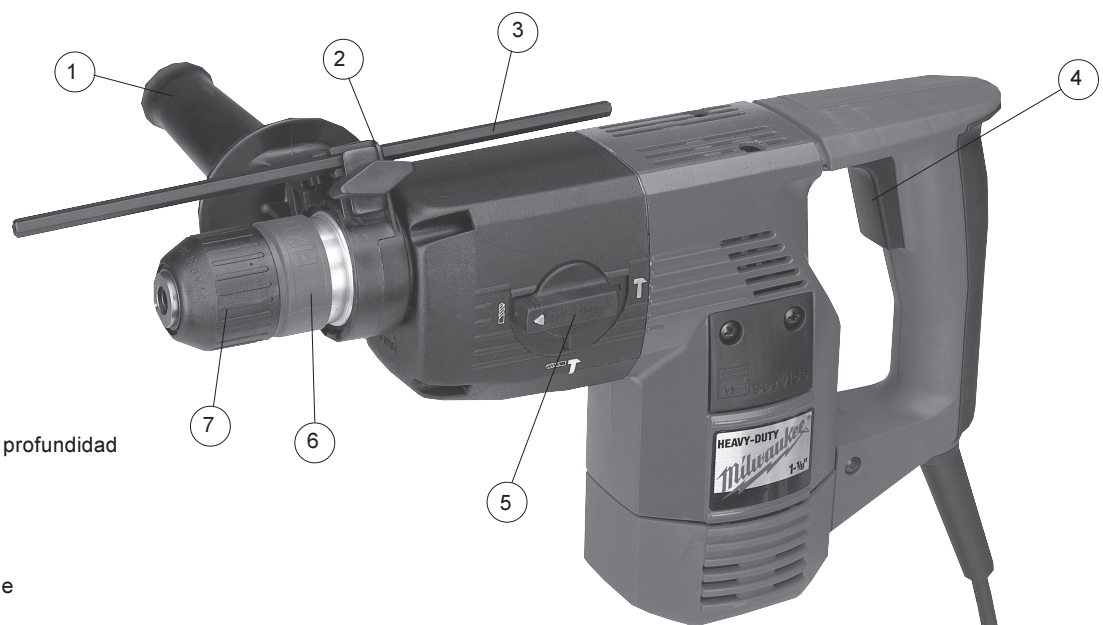
### Simbología

	Con doble aislamiento
	Canadian Standards Association
	Underwriters Laboratories, Inc.
	Voltaje de corriente alterna
$n^{\circ}$ <u>xxxx</u> /min.	Revoluciones por minuto
<b>A</b>	Amperes

### Especificaciones

Herramienta				Capacidades		
				Taladro solo (acero o madera)	Marillo rotatorio (concreto)	
Cat. No.	Volts CA	RPM Sin carga	Golpes sin carga	Brocas Convencionales	Brocas de percusión con puntas de carburo	Brocas de percusión "saca corazones" de pared delgada
5303-20	120	0-880	4 100	16mm - 38mm (5/8" - 1-1/2")	4mm - 30mm (3/16" - 1-1/8")	90mm (3-1/2")

### DESCRIPCIÓN FUNCIONAL



1. Mango lateral
2. Tornillo de sujeción
3. Varilla graduadora de profundidad
4. Gatillo
5. Palanca de selección
6. Eje Quik-Change
7. Mandril de Quik-Change

## TIERRA



### ¡ADVERTENCIA!

Puede haber riesgo de descarga eléctrica si se conecta el cable de conexión de puesta a tierra incorrectamente. Consulte con un electricista certificado si tiene dudas respecto a la conexión de puesta a tierra del tomacorriente. No modifique el enchufe que se proporciona con la herramienta. Nunca retire la clavija de conexión de puesta a tierra del enchufe. No use la herramienta si el cable o el enchufe está dañado. Si está dañado antes de usarlo, llévelo a un centro de servicio **MILWAUKEE** para que lo reparen. Si el enchufe no se acopla al tomacorriente, haga que un electricista certificado instale un tomacorriente adecuado.

#### Herramientas con conexión a tierra:

##### Herramientas con enchufes de tres clavijas

Las herramientas marcadas con la frase "Se requiere conexión de puesta a tierra" tienen un cable de tres hilos y enchufes de conexión de puesta a tierra de tres clavijas. El enchufe debe conectarse a un tomacorriente debidamente conectado a tierra (véase la Figura A). Si la herramienta se averiara o

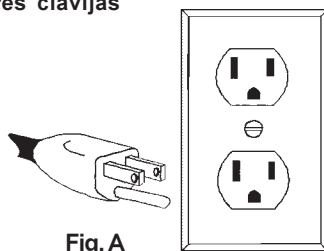


Fig. A

no funcionara correctamente, la conexión de puesta a tierra proporciona un trayecto de baja resistencia para desviar la corriente eléctrica de la trayectoria del usuario, reduciendo de este modo el riesgo de descarga eléctrica.

La clavija de conexión de puesta a tierra en el enchufe está conectada al sistema de conexión de puesta a tierra de la herramienta a través del hilo verde dentro del cable. El hilo verde debe ser el único hilo conectado al sistema de conexión de puesta a tierra de la herramienta y nunca se debe unir a una terminal energizada.

Su herramienta debe estar enchufada en un tomacorriente apropiado, correctamente instalado y conectado a tierra según todos los códigos y reglamentos. El enchufe y el tomacorriente deben asemejarse a los de la Figura A.

#### Herramientas con doble aislamiento:

##### Herramientas con clavijas de dos patas

Las herramientas marcadas con "Doble aislamiento" no requieren conectarse "a tierra". Estas herramientas tienen un sistema aislante que satisface los estándares de OSHA y llena los estándares aplicables de UL (Underwriters Laboratories, Inc.), de la Asociación Canadiense de Estándares (CSA) y el Código Nacional de Electricidad. Las herramientas con doble aislamiento pueden ser usadas en cualquiera de los toma corriente de 120 Volt mostrados en las Figuras B y C.

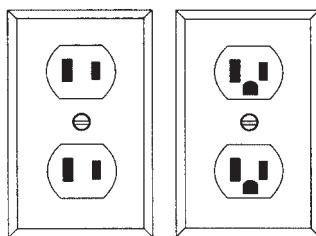


Fig. B

Fig. C

## EXTENSIONES ELÉCTRICAS

Las herramientas que deben conectarse a tierra cuentan con clavijas de tres patas y requieren que las extensiones que se utilicen con ellas sean también de tres cables. Las herramientas con doble aislamiento y clavijas de dos patas pueden utilizarse indistintamente con extensiones de dos a tres cables. El calibre de la extensión depende de la distancia que exista entre la toma de la corriente y el sitio donde se utilice la herramienta. El uso de extensiones inadecuadas puede causar serias caídas en el voltaje, resultando en pérdida de potencia y posible daño a la herramienta. La tabla que aquí se ilustra sirve de guía para la adecuada selección de la extensión.

Mientras menor sea el número del calibre del cable, mayor será la capacidad del mismo. Por ejemplo, un cable calibre 14 puede transportar una corriente mayor que un cable calibre 16. Cuando use mas de una extensión para lograr el largo deseado, asegúrese que cada una tenga al menos, el mínimo tamaño de cable requerido. Si está usando un cable de extensión para mas de una herramienta, sume los amperes de las varias placas y use la suma para determinar el tamaño mínimo del cable de extensión.

#### Guías para el uso de cables de extensión

- Si está usando un cable de extensión en sitios al aire libre, asegúrese que está marcado con el sufijo "W-A" ("W" en Canadá) el cual indica que puede ser usado al aire libre.
- Asegúrese que su cable de extensión está correctamente cableado y en buenas condiciones eléctricas. Cambie siempre una extensión dañada o hágala reparar por una persona calificada antes de volver a usarla.
- Proteja su extensión eléctrica de objetos cortantes, calor excesivo o areas mojadas.

#### Calibre mínimo recomendado para cables de extensiones eléctricas\*

Amperios (En la placa)	Largo de cable de Extensión en(m)					
	7,6	15,2	22,8	30,4	45,7	60,9
0 - 5,0	16	16	16	14	12	12
5,1 - 8,0	16	16	14	12	10	--
8,1 - 12,0	14	14	12	10	--	--
12,1 - 15,0	12	12	10	10	--	--
15,1 - 20,0	10	10	10	--	--	--

\* Basado en limitar la caída en el voltaje a 5 volts al 150% de los amperes.

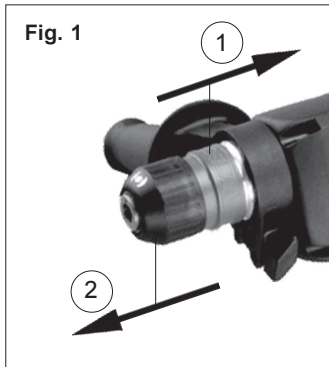
**LEA Y GUARDE TODAS LAS INSTRUCCIONES PARA FUTURAS REFERENCIAS.**



**¡ADVERTENCIA!**

Para reducir el riesgo de lesión, desconecte siempre su herramienta antes de colocar o retirar un accesorio. Use solo accesorios recomendados específicamente. Otros pueden ser peligrosos.

**Retiro del mandril (Fig. 1)**



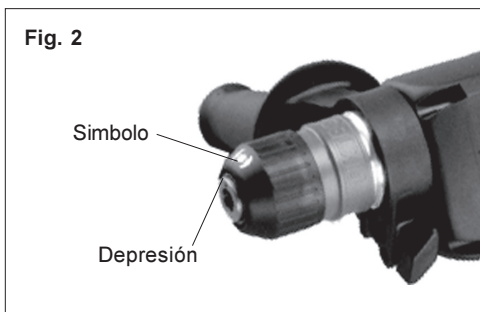
1. Mantenga el mandril firmemente y retire la camisa hacia atrás en la dirección de la flecha (1).
2. El mandril se desprende del eje. Sosténgalo firmemente (2).

**Introducción del mandril**

1. Empuje el mandril dentro del eje y gírelo ligeramente hasta que quede fijo en posición.
2. Recuerde limpiar y engrasar ligeramente el eje de vez en cuando.

**Introducción de la broca o el cincel (Fig. 2)**

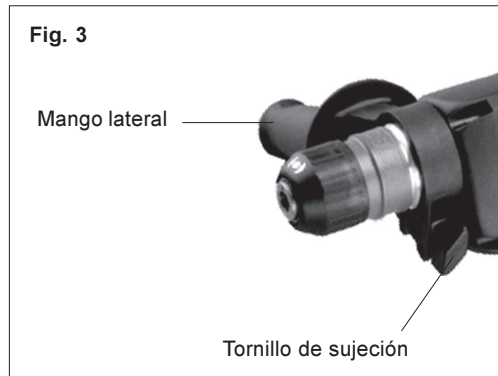
**NOTA:** Sólo use los accesorios con una varilla de SDS-plus.



1. Alinee el símbolo (●) con la depresión en la parte frontal del mandril.
2. Gire la broca, lentamente, hasta que se alinee con el mecanismo asegurador.
3. Empuje la broca hacia adentro, gírela un poco hasta que se pueda insertar completamente y sentir que la muesca se fija en posición.
4. Gire el collar del mandril tal como el símbolo (●) se alinee con la depresión en la parte frontal del mandril. Ahora la broca debe estar fija en la posición.
5. Se puede saber que la broca está debidamente fijada, cuando ésta se pueda mover.
6. Para retirar brocas y cinces, gire el collar del mandril tal como el símbolo (●) se alinee con la depresión en la parte frontal del mandril. Retire la broca.

**Cómo ajustar la posición de la palanca lateral (Fig.3)**

1. Suelte, un poco, el tornillo de sujeción.

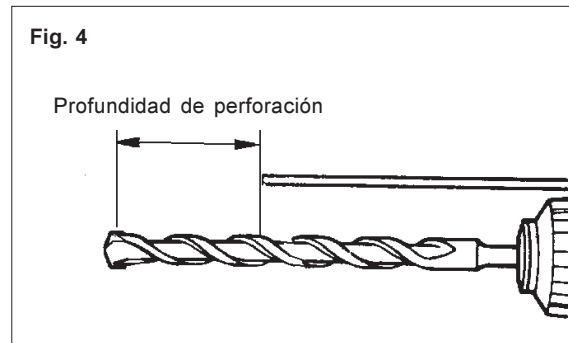


2. Tire el mango lateral hacia adelante y gírelo al ángulo requerido.
3. Ajuste el mango lateral en el montaje antideslizante, hasta que se ajuste en posición y apriete el tornillo de sujeción.

**NOTA:** Se puede girar el mango lateral en intervalos de 30°.

**Cómo colocar el medidor de profundidad (Fig.4)**

1. Suelte el tornillo de sujeción.



2. Deslice la varilla del medidor de profundidad hacia atrás o hacia adelante hasta que esté fijo en la profundidad deseada. **NOTA:** La profundidad de perforación es la distancia entre la punta de la broca y la punta del medidor de profundidad.
3. Apriete, firmemente, el tornillo de sujeción del medidor de profundidad.



**¡ADVERTENCIA!**

Para reducir el riesgo de lesiones, siempre utilice protección para los ojos.

**Selección de funciones (Fig. 5)**

Los martilladores rotatorios de *MILWAUKEE* tienen tres ajustes: perforador, martillar con efecto rotatorio y martillos.



1. Para el perforador, gire la palanca de desplazamiento para que la flecha de la palanca indique la broca helicoidal.
2. Para el martillar con efecto rotatorio, gire la palanca de desplazamiento para que la flecha de la palanca indique el martillo y la broca helicoidal.
3. Para el martillo perforador, gire la palanca de desplazamiento para que la flecha de la palanca indique el martillo.

**NOTA:** Para activar el mecanismo de martillo, mantenga la presión sobre la broca. Cuando se libere la presión sobre la broca, la acción del martillo se detendrá.

**Encender, detener y controlar velocidades**

1. Para **encender** la herramienta, oprima el gatillo.
2. Para **detener** la herramienta, libere el gatillo.
3. Para cambiar la velocidad, aumente o disminuya la presión.

**Operación**

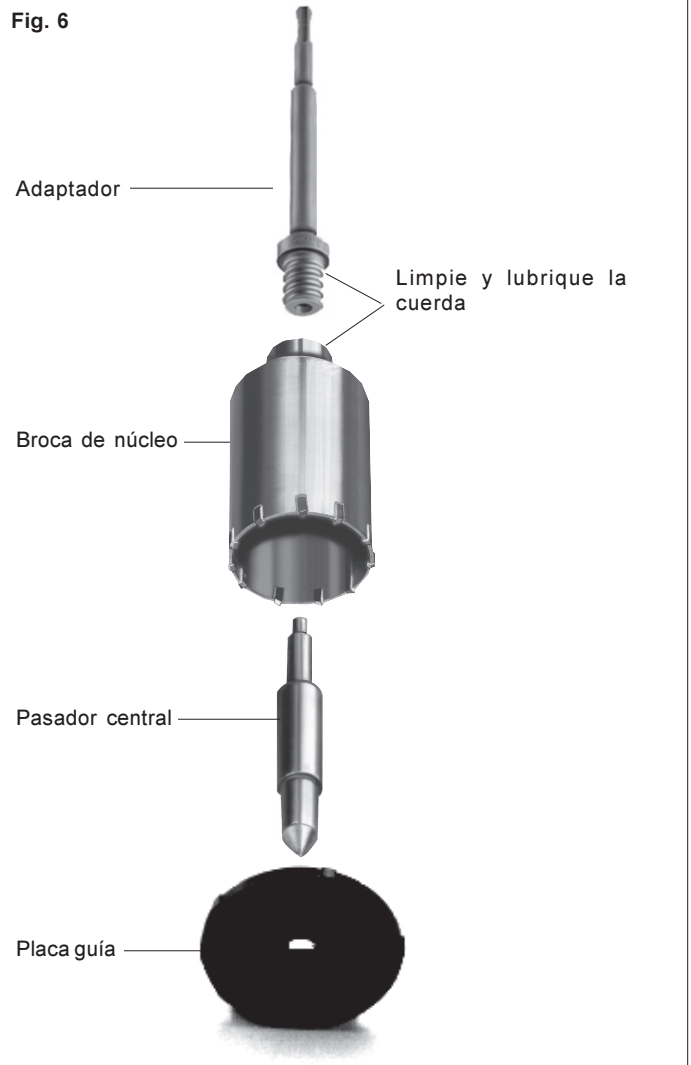
Coloque la unidad en posición, tome los mangos firmemente y accione el gatillo. Siempre mantenga firme la herramienta usando ambas manos y manteniendo el control. Se ha diseñado esta herramienta para proporcionar el mejor rendimiento con presión moderada. Es la herramienta que debe realizar el trabajo.

Si la velocidad empieza a disminuir cuando se perfora agujeros profundos, saque la broca parcialmente del agujero mientras está funcionando la herramienta para quitar el polvo. No utilice agua para hacer que el polvo se deposite ya que éste obstaculizará las ranuras de broca y hará que la broca se atore en el agujero. Si se atora la broca, un embrague de deslizamiento no ajustable impedirá que la broca gire. Si esto ocurre, detenga la herramienta, libere la broca y empiece de nuevo.

**Uso de las brocas de perforación de percusión rotativa (Fig. 6)**

Las brocas de perforación son útiles para perforar agujeros grandes para conductos y tubos. Las brocas de perforación de pared delgada de *MILWAUKEE* tienen cuerpos de acero tratado térmicamente con puntos carbúricos duraderos. Estas son diseñadas especialmente para una perforación rápida y precisa con acciones rotativas y de martillo combinadas.

Fig. 6



1. Limpie y lubrique las roscas en el adaptador y la broca de perforación como se muestra para facilitar el retiro posterior. Atornille el extremo roscado del adaptador en la parte posterior de la broca de perforación.
2. Empuje la placa de guía en el extremo de punto de la clavija central. Inserte el ensamblado de la placa de la clavija central en la broca de perforación. Asegurese que el extremo pequeño de la clavija central está colocado firmemente, en el agujero en el centro de la broca de perforación.
3. Inserte el adaptador en la nariz de la herramienta como se describe en "Introducción de la broca o el cincel". Ponga la palanca de martillo/taladro en martillo rotativo.
4. Oprima la clavija central contra la marca central, coja la clavija y apriete el gatillo.
5. Después de perforar aproximadamente a la profundidad de los dientes de la broca de perforación, retire la clavija central y la placa de guía de la broca de perforación. Luego, reanude la perforación.
6. Después de terminar la perforación del agujero, mantenga la herramienta hacia arriba, alejada de su cuerpo, muevala un poco hacia adelante para soltar la perforación un poco del adaptador.

Las brocas de perforación de pared delgada de *MILWAUKEE* perforan agujeros de hasta 76mm (3") de profundidad. Para perforar agujeros más profundos, retire la broca, rompa la muestra y retire la muestra. Reanude la perforación.



## MANTENIMIENTO



### ¡ADVERTENCIA!

Para reducir el riesgo de lesiones, desconecte siempre la herramienta antes de darle cualquier mantenimiento. Nunca desarme la herramienta ni trate de hacer modificaciones en el sistema eléctrico de la misma. Acuda siempre a un Centro de Servicio **MILWAUKEE** para TODAS las reparaciones.

### Mantenimiento de las herramientas

Adopte un programa regular de mantenimiento y mantenga su herramienta en buenas condiciones. Antes de usarla, examine las condiciones generales de la misma. Inspeccione guardas, interruptores, el cable de la herramienta y el cable de extensión. Busque tornillos sueltos o flojos, defectos de alineación y dobleces en partes móviles, así como montajes inadecuados, partes rotas y cualquier otra condición que pueda afectar una operación segura. Si detecta ruidos o vibraciones anormales, apague la herramienta de inmediato y corrija el problema antes de volver a usarla. No utilice una herramienta dañada. Colóquela una etiqueta que diga "NO DEBE USARSE" hasta que sea reparada (vea "Reparaciones").

Bajo condiciones normales, no se requiere lubricación hasta que haya que cambiar los carbones. Después de 6 meses a un año, dependiendo del uso dado, envíe su herramienta al Centro de Servicio **MILWAUKEE** más cercano para que le hagan:

- Lubricación
- Inspección y cambio de carbones
- Inspección mecánica y limpieza (engranes, flechas, baleros, carcarza, etc.)
- Inspección eléctrica (interruptor, cable, armadura, etc.)
- Probarla para asegurar una operación mecánica y eléctrica adecuada.



### ¡ADVERTENCIA!

Para reducir el riesgo de lesiones, descarga eléctrica o daño a la herramienta, nunca la sumerja en líquidos ni permita que estos fluyan dentro de la misma.

## ACCESORIOS



### ¡ADVERTENCIA!

Siempre desenchufe la herramienta antes de cambiar los accesorios. Sólo use accesorios específicamente recomendados. Otro tipo de accesorios pueden ser peligrosos.

Para una lista completa de accesorios, refiérase a su catálogo **MILWAUKEE** Electric Tool. Para obtener un catálogo, contacte su distribuidor local o uno de los centros de servicio listados en la cubierta posterior de este manual del operador.

### Estuche metálico

Catálogo No. 48-55-5303

Igual a la que se surte con la herramienta.

### Adaptador para el mandril Quick Change

Catálogo No. 42-02-3600

Para usarse con el mandril de 13mm (1/2") Cat. No. 48-66-1360.

### Limpieza

Limpie el polvo y suciedad de las ventilas. Mantenga las empuñaduras de la herramienta limpias, secas y libres de aceite y grasa. Use sólo jabón neutro y un trapo húmedo para limpiar su herramienta ya que algunas substancias y disolventes limpiadores pueden ocasionar daños a materiales plásticos y partes aislantes. Algunos de estos incluyen: gasolina, trementina, diluyente para barniz, diluyente para pintura, disolventes limpiadores clorados, amoníaco, y detergentes caseros que contengan amoníaco.

### Reparaciones

Si se daña o descompone, envíe la herramienta y todos sus accesorios al centro de servicio más cercano de los listados en la cubierta posterior de este manual del operario.

## GARANTIA

Cada herramienta **MILWAUKEE** es minuciosamente inspeccionada y probada antes de ser empacada y despachada. En caso de que se presente algún problema, devuelva la herramienta y todos sus accesorios (con flete pagado) a nuestra oficina principal o a cualquiera de los centros de servicio autorizado de **MILWAUKEE**. Si la causa del problema lo fuera un defecto en la mano de obra o el material, todas las reparaciones se llevarán a cabo libre de cargo y la herramienta le será devuelta al propietario (con flete pagado). Los bloques de pilas secas para herramientas inalámbricas cuentan con garantía de un año a partir de la fecha de compra.

Esta garantía pierde su validez cuando: (1) alguien que no pertenezca al personal de **MILWAUKEE** o de centros de servicio autorizado haga o intente hacer reparaciones a la herramienta; (2) la herramienta requiera ser reparada por causas de uso o desgaste normal; (3) la herramienta ha sido objeto de abuso o ha sufrido algún accidente; (4) haya evidencia de maltrato tal como el ocasionado cuando se sobrecarga la herramienta por encima de su capacidad nominal; (5) se utiliza la herramienta luego haber presentado una falla temporal; o (6) se utiliza la herramienta con accesorios inadecuados. No se reconoce ninguna otra garantía, verbal o escrita.

### Adaptador para el mandril

Catálogo No. 48-03-3005

Convierte la entrada universal a una de 1/2" - 20 hilos. Para usarse con el mandril de 13mm (1/2") Cat. No. 48-66-1360.

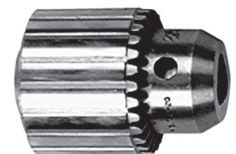
### Mandril de 13mm (1/2")

Catálogo No. 48-66-1360

Para usarse con el adaptador del mandril Cat. Nos. 48-03-3005 o 42-04-3600. No se recomienda para aplicaciones de martillo. Uselo solo con acción de taladro. Incluye llave.



Cat. No. 48-03-3005



Cat. No. 48-66-1360

## **UNITED STATES**

### **MILWAUKEE Service**

To locate the *factory* SERVICE CENTER or authorized service station nearest you, call

**1-800-414-6527**

TOLL FREE • NATIONWIDE

Monday-Friday • 8:00 AM - 4:30 PM • Local Time

In addition, there is a worldwide network of distributors ready to assist you. Check your "Yellow Pages" under "Tools-Electric" for the names of those nearest you.

For further information on *factory* SERVICE CENTER or authorized service station locations, visit our website at:

**[www.mil-electric-tool.com](http://www.mil-electric-tool.com)**

Corporate Product Service Support -  
Warranty and Technical Information

Brookfield, Wisconsin USA

**1-800-729-3878**

## **CANADA**

### **Service MILWAUKEE**

#### **Milwaukee Electric Tool (Canada) Ltd**

755 Progress Avenue

Scarborough, Ontario M1H 2W7

Tel. (416) 439-4181

Fax: (416) 439-6210

En outre le réseau de distributeurs est à la disposition de la clientèle d'un océan à l'autre. Consultez les pages jaunes de l'annuaire téléphonique pour l'adresse du centre le plus près de chez vous.

In addition, there is a worldwide network of distributors ready to assist you. Check your "Yellow Pages" under "Tools-Electric" for the names of those nearest you.

## **MEXICO**

### **Servicios de MILWAUKEE**

#### **Milwaukee Electric Tool**

División de : Atlas Copco Mexicana S.A. de C.V.

Blvd. Abraham Lincoln no. 13

Colonia Los Reyes Zona Industrial

Tlalnepantla, Edo. México C.P. 54073

Tels. 5565-1414 5565-4720

Fax: 5565-0925

Además se cuenta con una red nacional de distribuidores listos para apoyarlo. Vea en las "Páginas Amarillas" sección "Herramientas Eléctricas".

## **MILWAUKEE ELECTRIC TOOL CORPORATION**

**A Company within the Atlas Copco Group**

**13135 West Lisbon Road • Brookfield, Wisconsin, U.S.A. 53005**

## Free Manuals Download Website

<http://myh66.com>

<http://usermanuals.us>

<http://www.somanuals.com>

<http://www.4manuals.cc>

<http://www.manual-lib.com>

<http://www.404manual.com>

<http://www.luxmanual.com>

<http://aubethermostatmanual.com>

Golf course search by state

<http://golfingnear.com>

Email search by domain

<http://emailbydomain.com>

Auto manuals search

<http://auto.somanuals.com>

TV manuals search

<http://tv.somanuals.com>