



**OPERATOR'S MANUAL  
MANUEL de L'UTILISATEUR  
MANUAL del OPERADOR**

**Catalog No.  
No de Cat.  
Catálogo No.**

**5314-21**



**5318-21**



**1-1/2" HEAVY-DUTY ROTARY HAMMERS  
EXTRA ROBUSTES MARTEAUX ROTATIFS 40 mm (1-1/2")  
ROTOMARTILLOS HEAVY-DUTY 40 mm (1-1/2")**

***TO REDUCE THE RISK OF INJURY, USER MUST READ AND UNDERSTAND OPERATOR'S MANUAL.***

***AFIN DE RÉDUIRE LE RISQUE DE BLESSURES, L'UTILISATEUR DOIT LIRE ET BIEN COMPRENDRE LE MANUEL DE L'UTILISATEUR.***

***PARA REDUCIR EL RIESGO DE LESIONES, EL USUARIO DEBE LEER Y ENTENDER EL MANUAL DEL OPERADOR.***

## GENERAL SAFETY RULES — FOR ALL POWER TOOLS



### WARNING!

#### READ ALL INSTRUCTIONS

Failure to follow all instructions listed below may result in electric shock, fire and/or serious injury. The term "power tool" in all of the warnings listed below refers to your mains-operated (corded) power tool or battery-operated (cordless) power tool.

#### SAVE THESE INSTRUCTIONS

### WORK AREA SAFETY

1. **Keep work area clean and well lit.** Cluttered or dark areas invite accidents.
2. **Do not operate power tools in explosive atmospheres, such as in the presence of flammable liquids, gases, or dust.** Power tools create sparks which may ignite the dust or fumes.
3. **Keep children and bystanders away while operating a power tool.** Distractions can cause you to lose control.

### ELECTRICAL SAFETY

4. **Power tool plugs must match the outlet. Never modify the plug in any way. Do not use any adapter plugs with earthed (grounded) power tools.** Unmodified plugs and matching outlets will reduce risk of electric shock.
5. **Avoid body contact with earthed or grounded surfaces such as pipes, radiators, ranges and refrigerators.** There is an increased risk of electric shock if your body is earthed or grounded.
6. **Do not expose power tools to rain or wet conditions.** Water entering a power tool will increase the risk of electric shock.
7. **Do not abuse the cord. Never use the cord for carrying, pulling, or unplugging the power tool. Keep cord away from heat, oil, sharp edges, or moving parts.** Damaged or entangled cords increase the risk of electric shock.
8. **When operating a power tool outdoors, use an extension cord suitable for outdoor use.** Use of a cord suitable for outdoor use reduces the risk of electric shock.

### PERSONAL SAFETY

9. **Stay alert, watch what you are doing and use common sense when operating a power tool. Do not use a power tool while you are tired or under the influence of drugs, alcohol or medication.** A moment of inattention while operating power tools may result in serious personal injury.
10. **Use safety equipment. Always wear eye protection.** Safety equipment such as dust mask, non-skid safety shoes, hard hat, or hearing protection used for appropriate conditions will reduce personal injuries.
11. **Avoid accidental starting. Ensure the switch is in the off-position before plugging in.** Carrying tools with your finger on the switch or plugging in power tools that have the switch on invites accidents.
12. **Remove any adjusting key or wrench before turning the power tool on.** A wrench or a key left attached to a rotating part of the power tool may result in personal injury.
13. **Do not overreach. Keep proper footing and balance at all times.** This enables better control of the power tool in unexpected situations.
14. **Dress properly. Do not wear loose clothing or jewellery. Keep your hair, clothing and gloves away from moving parts.** Loose clothes, jewellery, or long hair can be caught in moving parts.
15. **If devices are provided for the connection of dust extraction and collection facilities, ensure these are connected and properly used.** Use of these devices can reduce dust-related hazards.

### POWER TOOL USE AND CARE

16. **Do not force the power tool. Use the correct power tool for your application.** The correct power tool will do the job better and safer at the rate for which it was designed.
17. **Do not use the power tool if the switch does not turn it on and off.** Any power tool that cannot be controlled with the switch is dangerous and must be repaired.
18. **Disconnect the plug from the power source and/or the battery pack from the power tool before making any adjustments, changing accessories, or storing power tools.** Such preventive safety measures reduce the risk of starting the tool accidentally.
19. **Store idle power tools out of the reach of children and do not allow persons unfamiliar with the power tools or these instructions to operate power tools.** Power tools are dangerous in the hands of untrained users.
20. **Maintain power tools. Check for misalignment or binding of moving parts, breakage of parts and any other condition that may affect the power tool's operation. If damaged, have the power tool repaired before use.** Many accidents are caused by poorly maintained power tools.
21. **Keep cutting tools sharp and clean.** Properly maintained cutting tools with sharp cutting edges are less likely to bind and are easier to control.
22. **Use the power tool, accessories and tool bits etc., in accordance with these instructions and in the manner intended for the particular type of power tool, taking into account the working conditions and the work to be performed.** Use of the power tool for operations different from those intended could result in a hazardous situation.







### SERVICE

23. **Have your power tool serviced by a qualified repair person using only identical replacement parts.** This will ensure that the safety of the power tool is maintained.

## SPECIFIC SAFETY RULES

1. **Hold power tools by insulated gripping surfaces when performing an operation where the cutting tool may contact hidden wiring or its own cord.** Contact with a "live" wire will make exposed metal parts of the tool "live" and shock the operator.
2. **Wear ear protectors.** Exposure to noise can cause hearing loss.
3. **Use auxiliary handles supplied with the tool.** Loss of control can cause personal injury.
4. **Keep hands away from all cutting edges and moving parts.**
5. **Maintain labels and nameplates.** These carry important information. If unreadable or missing, contact a *MILWAUKEE* service facility for a free replacement.
6. **WARNING!** Some dust created by power sanding, sawing, grinding, drilling, and other construction activities contains chemicals known to cause cancer, birth defects or other reproductive harm. Some examples of these chemicals are:
  - lead from lead-based paint
  - crystalline silica from bricks and cement and other masonry products, and
  - arsenic and chromium from chemically-treated lumber.

Your risk from these exposures varies, depending on how often you do this type of work. To reduce your exposure to these chemicals: work in a well ventilated area, and work with approved safety equipment, such as those dust masks that are specially designed to filter out microscopic particles.

Symbology		Specifications								
	Double Insulated	<b>Cat. No.</b>	<b>Volts AC Only</b>	<b>Amps</b>	<b>Load/ No Load RPM</b>	<b>Load/ No Load Blows per Minute</b>	<b>Percussion Carbide Tipped Bits</b>	<b>Percussion Core Bits</b>	<b>Self-Drilling Anchors</b>	<b>Chisels</b>
	Alternating Current	5314-21	120	11	385*	3400*	1-1/2"	6"	5/8"	See p. 8
	Amps	5318-21	120	11	385*	3400*	1-1/2"	6"	5/8"	See p. 8
$n_0$ <b>xxxx/min.</b>	No Load Revolutions per Minute (RPM)	* EFCC - The Electronic Feedback Control Circuit maintains constant speed under varying load conditions.								
<b>BPM</b>	Blows per Minute (BPM)									
	Underwriters Laboratories, Inc.									
	Canadian Standards Association									
	Mexican Approvals Marking									

## FUNCTIONAL DESCRIPTION

1. Stop rotation knob (Cat. No. 5314-21 only)
2. Handle
3. Trigger
4. Side Handle
5. Dust shield
6. Bit release collar



**Cat. No. 5314-21**

## GROUNDING



### WARNING!

Improperly connecting the grounding wire can result in the risk of electric shock. Check with a qualified electrician if you are in doubt as to whether the outlet is properly grounded. Do not modify the plug provided with the tool. Never remove the grounding prong from the plug. Do not use the tool if the cord or plug is damaged. If damaged, have it repaired by a **MILWAUKEE** service facility before use. If the plug will not fit the outlet, have a proper outlet installed by a qualified electrician.

### Grounded Tools:

#### Tools with Three Prong Plugs

Tools marked "Grounding Required" have a three wire cord and three prong grounding plug. The plug must be connected to a properly grounded outlet (See Figure A). If the tool should electrically malfunction or break down, grounding provides a low resistance path to carry electricity away from the user, reducing the risk of electric shock.

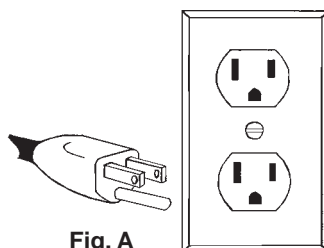


Fig. A

The grounding prong in the plug is connected through the green wire inside the cord to the grounding system in the tool. The green wire in the cord must be the only wire connected to the tool's grounding system and must never be attached to an electrically "live" terminal.

Your tool must be plugged into an appropriate outlet, properly installed and grounded in accordance with all codes and ordinances. The plug and outlet should look like those in Figure A.

### Double Insulated Tools:

#### Tools with Two Prong Plugs

Tools marked "Double Insulated" do not require grounding. They have a special double insulation system which satisfies OSHA requirements and complies with the applicable standards of Underwriters Laboratories, Inc., the Canadian Standard Association and the National Electrical Code. Double Insulated tools may be used in either of the 120 volt outlets shown in Figures B and C.

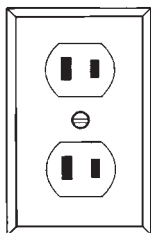


Fig. B

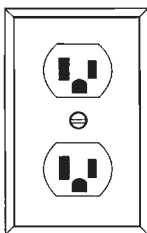


Fig. C

## EXTENSION CORDS

Grounded tools require a three wire extension cord. Double insulated tools can use either a two or three wire extension cord. As the distance from the supply outlet increases, you must use a heavier gauge extension cord. Using extension cords with inadequately sized wire causes a serious drop in voltage, resulting in loss of power and possible tool damage. Refer to the table shown to determine the required minimum wire size.

The smaller the gauge number of the wire, the greater the capacity of the cord. For example, a 14 gauge cord can carry a higher current than a 16 gauge cord. When using more than one extension cord to make up the total length, be sure each cord contains at least the minimum wire size required. If you are using one extension cord for more than one tool, add the nameplate amperes and use the sum to determine the required minimum wire size.

### Guidelines for Using Extension Cords

- If you are using an extension cord outdoors, be sure it is marked with the suffix "W-A" ("W" in Canada) to indicate that it is acceptable for outdoor use.
- Be sure your extension cord is properly wired and in good electrical condition. Always replace a damaged extension cord or have it repaired by a qualified person before using it.
- Protect your extension cords from sharp objects, excessive heat and damp or wet areas.

### Recommended Minimum Wire Gauge for Extension Cords\*

Nameplate Amperes	Extension Cord Length					
	25'	50'	75'	100'	150'	200'
0 - 5	16	16	16	14	12	12
5.1 - 8	16	16	14	12	10	--
8.1 - 12	14	14	12	10	--	--
12.1 - 15	12	12	10	10	--	--
15.1 - 20	10	10	10	--	--	--

\* Based on limiting the line voltage drop to five volts at 150% of the rated amperes.

**READ AND SAVE ALL INSTRUCTIONS FOR FUTURE USE.**

## TOOL ASSEMBLY



### WARNING!

To reduce the risk of injury, always unplug tool before attaching or removing accessories or making adjustments. Use only specifically recommended accessories. Others may be hazardous.



### WARNING!

To reduce the risk of injury, always use a side handle when using this tool. Always brace or hold securely.

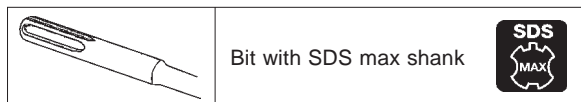
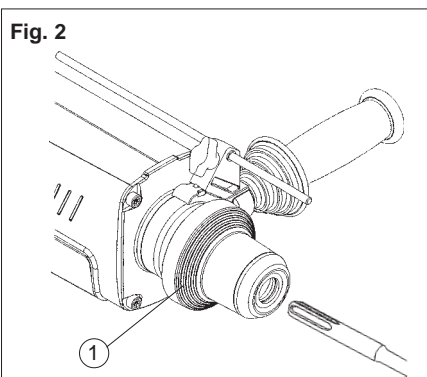
### Adjusting the Side Handle (Fig. 1)



1. Loosen the side handle slightly by unscrewing it counter-clockwise.
2. Rotate the side handle to the required angle.
3. Tighten the side handle securely.

### Installing Bits and Chisels (Fig. 2) SDS Max Drive System (Cat. No. 5314-21)

The 5314-21 Rotary Hammer uses SDS max drill bits and hammer steel chisels.

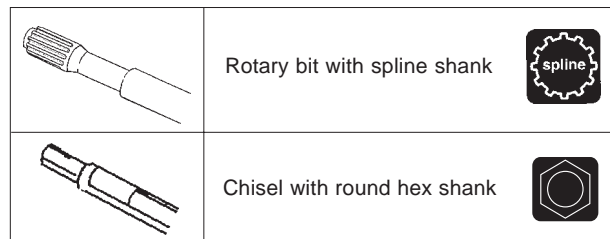
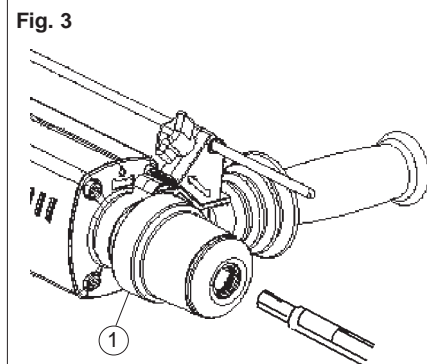


1. Insert the bit or chisel into the nose of the tool.
2. Rotate bit slowly until it aligns with the locking mechanism.
3. Push bit into tool until it locks.
4. Check to see that bit is locked by tugging on it.
5. To remove bits and chisels, pull bit release collar (1) toward the rear of tool and remove bit.

**NOTE:** Use caution when handling hot bits and chisels.

### Installing Bits and Chisels (Fig. 3) Spline Drive System (Cat. No. 5318-21)

The 5318-21 Rotary Hammer uses carbide bits with spline shanks and hammer steel chisels with round hex shanks.



1. Insert the bit or chisel into the nose of the tool.  
If you are using a rotary bit, make sure that the splines on the shank engage with the splines inside the nose of the tool.  
If you are using a chisel, make sure that the notch in the shank faces up (Fig. 3).
2. Push bit into tool until it locks.
3. Check to see that bit is locked by tugging on it.
4. To remove bits and chisels, pull bit release collar (1) toward the rear of tool and remove bit.

**NOTE:** Use caution when handling hot bits and chisels.

## OPERATION

These rotary hammers have an Electronic Feedback Control Circuit (EFCC) which helps improve the operation and life of the tool.

### Soft Start

The Soft-Start feature reduces the amount of torque reaction to the tool and the user. This feature gradually increases the motor speed up from zero to the speed set by the speed control dial.

### Feedback Control

The electronic speed control system allows the tool to maintain constant speed between no-load and load conditions.

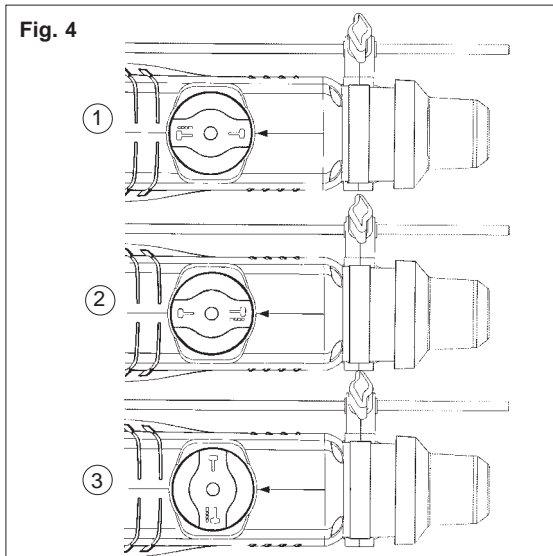


**WARNING!**

To reduce the risk of injury, wear safety goggles or glasses with side shields.

### Selecting Action (Fig. 4) (Cat. No. 5314-21)

The 5314-21 Rotary Hammer features a stop rotation knob. The stop rotation knob may be set for "hammering-only", "hammering-with-rotation", or "chisel adjustment".



1. **Hammering only.** For use with "hammering-only" accessories. Use this setting (1) for chiseling or setting self-drilling anchors.
2. **Hammering with rotation.** Use this setting (2) for drilling holes with drill bits.
3. **Chisel adjustment.** Use this setting (3) to adjust the angle of the chisel blade in relation to the tool. With a chisel mounted in the tool:
  - turn the knob to this setting
  - twist the chisel to the desired angle
  - set the tool for hammering only

**NOTE:** To engage the hammering mechanism, maintain pressure on the bit. When the pressure on the bit is released, the hammering will stop.



**WARNING!**

To reduce the risk of injury, when using chisels or (other hammering-only accessories) in the 5314-21 Rotary Hammer, set the tool in the "hammering-only" position.

### Hammering Only SDS Max Drive System (Cat. No. 5314-21)

When using chisels (or other "hammering-only" accessories) in the 5314-21 Rotary Hammer, the stop rotation knob **MUST** be set in the "hammer-only" setting. The rotational drive mechanism in the 5314-21 engages with the chisel (or other "hammering-only" accessory) when it is mounted into the tool and the stop rotation knob is set for "hammering-with-rotation".

### Hammering Only Splined Drive System (Cat. No. 5318-21)

When a chisel (or other "hammering-only" accessory) is mounted into the 5318-21 Rotary Hammer, the rotational drive mechanism does not engage with the chisel.

### Starting and Stopping the Tool

1. To **start** the tool, pull trigger.
2. To **stop** the tool, release trigger.

### Cold Starting

If this tool is stored for a long period of time or at cold temperatures, it may not hammer initially because the lubrication has become stiff. To warm up the tool:

1. Insert and lock a bit or chisel into the tool.
2. Turn the tool on, applying force to the bit or chisel against a concrete or wood surface.
3. Turn the tool on and off every few seconds. In a short time, the tool will start hammering. The colder the tool is, the longer it will take to warm it up.

### Hammering or Hammering with Rotation

Position the tool, grasp the handles firmly and pull the trigger.

Always hold the tool securely using both handles and maintain control. Use only enough pressure to hold the tool in place and prevent the tip of the bit from wandering. This tool has been designed to achieve top performance with only moderate pressure. Let the tool do the work.

When drilling deep holes occasionally pull the bit partially out of the hole while the tool is running to help clear dust.

**NOTE:** Do not use water to settle the dust since it will clog the bit flutes and tend to make the bit bind in the hole. If the bit should bind, a built-in, non-adjustable slip clutch prevents the bit from turning. If this occurs, stop the tool, free the bit and begin again.

### Using Rotary Percussion Core Bits (Fig. 5-8)

Core bits are useful for drilling large holes for conduit and pipe. *MILWAUKEE* Heavy-Duty Core Bits have heat-treated steel bodies with durable carbide tips. These core bits are specially designed for fast, accurate drilling with combined hammering and rotary action.

1. Clean and lubricate the threads on the adapter and core bit to make later removal easier. Screw the threaded end of the adapter into the rear of the core bit.
2. Push the guide plate onto the pointed end of the center pin. Insert the center pin and guide plate assembly into the core bit. Be sure the small end of the center pin is securely placed into the hole in the center of the core bit (Fig. 5).

Fig. 5





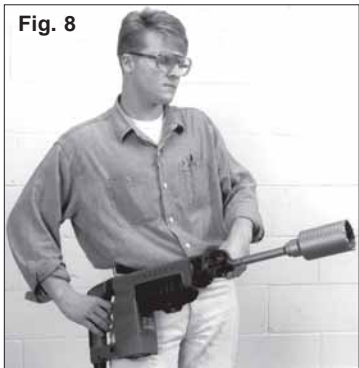
3. Insert the adapter into the nose of the tool as described in "Installing Bits". Set the stop rotation knob to the hammering-with-rotation setting.
4. Press the center pin firmly against your center mark, hold the tool firmly and pull the trigger (Fig. 6).



**NOTE:** If a center pin and guide plate are not available, use a template or notched board to start the hole (Fig. 7).



5. After drilling to about the depth of the core bit teeth, remove the center pin and guide plate from the core bit. Resume drilling.
6. To change the core bit, hold the tool upwards, pointing it away from your body as shown, and run it briefly in forward to loosen the core bit from the adapter (Fig. 8).



**NOTE:** To make deeper holes, remove the core bit, break and remove the core. Resume drilling.

#### Using LHS Rotary Percussion Core Bits (Fig. 9-12)

LHS Core Bits are useful for drilling large or long holes in concrete. *MILWAUKEE* Heavy-Duty Core Bits have heat-treated steel bodies with durable carbide tips. These core bits are specially designed for fast, accurate drilling with combined hammering and rotary action.

1. Clean and lubricate the threads on the adapter and core bit to make later removal easier. Screw the threaded end of the centering bit into the core bit (Fig. 9). Thread the adapter shank to the rear of the core bit.

**NOTE:** If using an extension, first thread the adapter shank to the extension. Then thread the core bit to the extension.



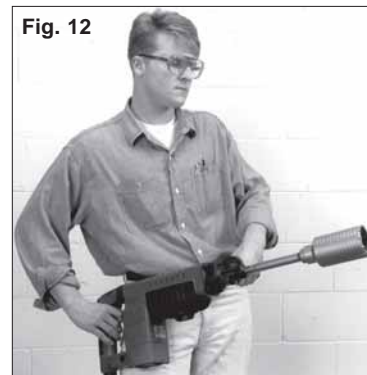
2. Insert the adapter into the nose of the tool as described in "Installing Bits". Set the stop rotation knob to the hammering-with-rotation setting.
3. Press the centering bit firmly against your center mark, hold the tool firmly and pull the trigger (Fig. 10).



**NOTE:** If the 48-20-5099 threaded stud is used, use a template or notched board to start the hole (Fig. 11).



4. To change the core bit, hold the tool upwards, pointing it away from your body as shown, and run it briefly in forward to loosen the core bit from the adapter (Fig. 12).



**NOTE:** To make deeper holes, remove the core bit, break and remove the core. Resume drilling. When drilling long or deep holes, after each inch of penetration pull the bit partially out of the hole while the tool is running, to help clear dust from the bit flutes. Dust can clog the bit flutes and can make the bit bind in the hole. If this occurs, stop the tool, free the bit and begin again.



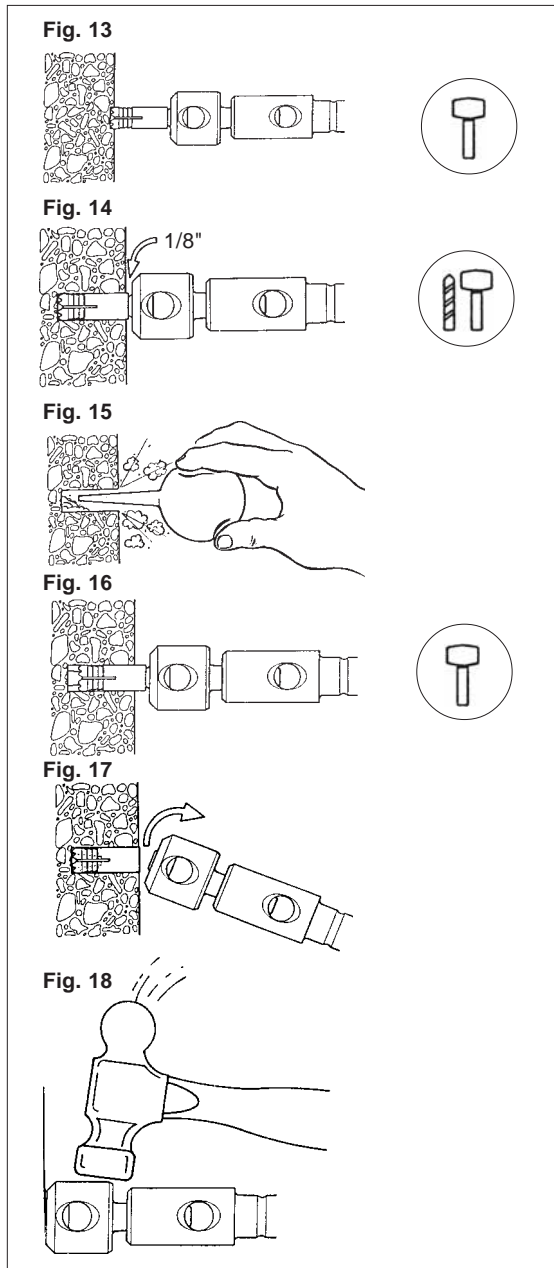
## WARNING!

To reduce the risk of personal injury and damage to the tool or work:

- Always use the “hammering-only” setting to set the anchor. Never use the “hammering-with-rotation” setting to set the anchor.
- Never switch the tool to “hammering-with-rotation” until after the anchor has been set and the tooth anchor chuck has been removed from the anchor.

### Setting Self-Drilling Anchors (Fig. 13-18) (Cat. No. 5314-21 only)

The 5314-21 Rotary Hammer features a stop rotation knob which is helpful for setting self-drilling anchors up to 5/8". MILWAUKEE Tooth Anchor Chucks require a "B" taper adapter.



1. Place the proper size tooth anchor chuck into the "B" taper adapter. Then insert the "B" taper adapter into the tool and lock it into place as described. See "Installing Bits and Chisels".
2. Insert the anchor into the tooth anchor chuck. Set the stop rotation knob for hammering only. Set the anchor on your mark and hammer until the teeth have penetrated the concrete (Fig. 13).
3. Set the stop rotation knob for hammering with rotation and drill until the chuck is 1/8" above the concrete (Fig. 14).

**NOTE:** It may be necessary to clean dust and cuttings from the anchor several times while drilling the hole.

4. Remove the anchor from the hole while the tool is running. Clean the dust and cuttings from the anchor by pointing it downward and turning the tool on and off several times. Clean the dust out of the hole with a vacuum cleaner or blowout bulb (Fig. 15).
5. Place the expansion plug into the anchor and insert the anchor into the hole. Switch the stop rotation knob back to hammering only, and hammer the anchor firmly into the hole (Fig. 16).
6. Snap the head off of the anchor. To remove the head of anchors up to 5/8", grasp the handles firmly and pull the tool sharply towards you (Fig. 17) or snap off the anchor head with a hand hammer as shown (Fig. 18). The anchor is now ready to receive a bolt.
7. To remove the anchor head wedged in the tooth anchor chuck, use drift pin 48-86-0100.
8. To remove the tooth anchor chuck, remove the "B" taper adapter from the nose of the tool. Insert the drift pin supplied with the adapter into the hole on the side of the "B" taper adapter and strike it sharply to force out the tooth anchor chuck.

### Chiseling and Chipping

MILWAUKEE 1-1/2" Rotary Hammers may be used for chipping and chiseling.

When chiseling, hold the tool at an angle to the workpiece. Work from a corner or close to the edge of the workpiece, breaking off one small area at a time rather than attempting too large an area.

A variety of accessories are available.

	<b>Bushing Tools</b> Used to surface concrete.
	<b>Mortar Cutting Chisels (Seam Tools)</b> For removing old mortar for tuck pointing or caulking.
	<b>Bull Points</b> For demolition work and starting holes in concrete slabs.
	<b>Flat Chisels</b> For edging, chipping or channeling.
	<b>Scaling Chisels</b> For removing weld spatter or scale and cutting straight lines.
	<b>Slotting Chisel</b> For slotting and cutting between drilled holes in concrete and masonry.



## MAINTENANCE



### WARNING!

To reduce the risk of injury, always unplug your tool before performing any maintenance. Never disassemble the tool or try to do any rewiring on the tool's electrical system. Contact a *MILWAUKEE* service facility for ALL repairs.

### Maintaining Tools

Keep your tool in good repair by adopting a regular maintenance program. Before use, examine the general condition of your tool. Inspect guards, switches, tool cord set and extension cord for damage. Check for loose screws, misalignment, binding of moving parts, improper mounting, broken parts and any other condition that may affect its safe operation. If abnormal noise or vibration occurs, turn the tool off immediately and have the problem corrected before further use. Do not use a damaged tool. Tag damaged tools "DO NOT USE" until repaired (see "Repairs").

Under normal conditions, relubrication is not necessary until the motor brushes need to be replaced. After six months to one year, depending on use, return your tool to the nearest *MILWAUKEE* service facility for the following:

- Lubrication
- Brush inspection and replacement
- Mechanical inspection and cleaning (gears, spindles, bearings, housing, etc.)
- Electrical inspection (switch, cord, armature, etc.)
- Testing to assure proper mechanical and electrical operation



### WARNING!

To reduce the risk of injury, electric shock and damage to the tool, never immerse your tool in liquid or allow a liquid to flow inside the tool.

### Cleaning

Clean dust and debris from vents. Keep the tool handles clean, dry and free of oil or grease. Use only mild soap and a damp cloth to clean your tool since certain cleaning agents and solvents are harmful to plastics and other insulated parts. Some of these include: gasoline, turpentine, lacquer thinner, paint thinner, chlorinated cleaning solvents, ammonia and household detergents containing ammonia. Never use flammable or combustible solvents around tools.

### Repairs

If your tool is damaged, return the entire tool to the nearest service center listed on the back cover of this operator's manual.

## ACCESSORIES



### WARNING!

To reduce the risk of injury, always unplug the tool before attaching or removing accessories. Use only specifically recommended accessories. Others may be hazardous.

For a complete listing of accessories refer to your *MILWAUKEE* Electric Tool catalog or go on-line to [www.mil-electric-tool.com](http://www.mil-electric-tool.com). To obtain a catalog, contact your local distributor or a service center listed on the back cover of this operator's manual.

## FIVE YEAR TOOL LIMITED WARRANTY

Every *MILWAUKEE* tool is tested before leaving the factory and is warranted to be free from defects in material and workmanship. *MILWAUKEE* will repair or replace (at *MILWAUKEE*'s discretion), without charge, any tool (including battery chargers) which examination proves to be defective in material or workmanship from five (5) years after the date of purchase. Return the tool and a copy of the purchase receipt or other proof of purchase to a *MILWAUKEE* Factory Service/Sales Support Branch location or *MILWAUKEE* Authorized Service Station, freight prepaid and insured. This warranty does not cover damage from repairs made or attempted by other than *MILWAUKEE* authorized personnel, abuse, normal wear and tear, lack of maintenance, or accidents.

Battery Packs, Flashlights, and Radios are warranted for one (1) year from the date of purchase.

THE REPAIR AND REPLACEMENT REMEDIES DESCRIBED HEREIN ARE EXCLUSIVE. IN NO EVENT SHALL *MILWAUKEE* BE LIABLE FOR ANY INCIDENTAL, SPECIAL, OR CONSEQUENTIAL DAMAGES, INCLUDING LOSS OF PROFITS.

THIS WARRANTY IS EXCLUSIVE AND IN LIEU OF ALL OTHER WARRANTIES, OR CONDITIONS, WRITTEN OR ORAL, EXPRESSED OR IMPLIED FOR MERCHANTABILITY OR FITNESS FOR PARTICULAR USE OR PURPOSE.

This warranty gives you specific legal rights. You may also have other rights that vary from state to state and province to province. In those states that do not allow the exclusion of implied warranties or limitation of incidental or consequential damages, the above limitations or exclusions may not apply to you. This warranty applies to the United States, Canada, and Mexico only.

## RÈGLES GÉNÉRALES DE SÉCURITÉ POUR LES OUTILS ÉLECTRIQUE



### AVERTISSEMENT!

#### LIRE SOIGNEUSEMENT TOUTES LES INSTRUCTIONS

Le non respect des instructions ci-après peut entraîner des chocs électriques, des incendies et/ou des blessures graves. Le terme «outil électrique» figurant dans les avertissements ci-dessous renvoie à l'outil électrique à alimentation par le réseau (à cordon) ou par batterie (sans fil).

#### CONSERVER CES INSTRUCTIONS

### SÉCURITÉ DU LIEU DE TRAVAIL

1. **Maintenir la zone de travail propre et bien éclairée.** Les zones encombrées ou mal éclairées sont favorables aux accidents.
2. **Ne pas utiliser d'outil électrique dans une atmosphère explosive, telle qu'en en présence de liquides, de gaz ou de poussières inflammables.** Les outils électriques génèrent des étincelles qui peuvent enflammer les poussières ou les fumées.
3. **Tenir les enfants et les personnes non autorisées à l'écart pendant le fonctionnement d'un outil électrique.** Un manque d'attention de l'opérateur risque de lui faire perdre le contrôle de l'outil.

### SÉCURITÉ ÉLECTRIQUE

4. **La fiche de l'outil électrique doit correspondre à la prise d'alimentation. Ne jamais modifier la fiche d'une manière quelconque. Ne pas utiliser d'adaptateur avec les outils électriques mis à la terre (à la masse).** Des fiches non modifiées et des prises d'alimentation assorties réduisent le risque de choc électrique.
5. **Éviter tout contact corporel avec des surfaces reliées à la masse ou à la terre telles que tuyaux, radiateurs, cuisinières et réfrigérateurs.** Un risque de choc électrique plus élevé existe si le corps est relié à la masse ou à la terre.
6. **Ne pas exposer les outils électriques à la pluie ou à l'humidité.** Le risque de choc électrique augmente si de l'eau s'infiltré dans un outil électrique.
7. **Prendre soin du cordon. Ne jamais utiliser le cordon pour transporter, tirer ou débrancher l'outil électrique. Tenir le cordon à l'écart de la chaleur, des huiles, des arêtes coupantes ou des pièces en mouvement.** Un cordon endommagé ou emmêlé présente un risque de choc électrique.
8. **Se procurer un cordon d'alimentation approprié en cas d'utilisation d'un outil électrique à l'extérieur.** L'utilisation d'un cordon d'alimentation pour usage extérieur réduit le risque de choc électrique.

### SÉCURITÉ INDIVIDUELLE

9. **Être sur ses gardes, être attentif et faire preuve de bon sens en utilisant un outil électrique. Ne pas utiliser un outil électrique en cas de fatigue ou sous l'influence de drogues, d'alcool ou de médicaments.** Un instant d'inattention lors de l'utilisation d'un outil électrique peut entraîner des blessures graves.
10. **Utiliser un équipement de sécurité. Toujours porter des lunettes de protection.** Un équipement de sécurité comprenant masque anti-poussière, chaussures de sécurité anti-dérapantes, casque ou dispositif de protection anti-bruit peut, dans les circonstances appropriées, réduire le risque de blessure.
11. **Éviter tout démarrage accidentel de l'outil. S'assurer que le commutateur est en position OFF (Arrêt) avant de brancher l'outil.** Le port de l'outil avec un doigt sur le commutateur ou son branchement avec le commutateur en position ON (Marche) sont favorables aux accidents.
12. **Retirer toute clé de réglage avant de mettre l'outil sous tension.** Une clé laissée attachée sur une pièce mobile de l'outil électrique peut entraîner des blessures.

13. **Ne pas travailler à bout de bras. Bien garder un bon équilibre à tout instant.** Ceci permet de mieux préserver la maîtrise de l'outil électrique dans des situations imprévues.
14. **Porter des vêtements adéquats. Ne pas porter de vêtements amples ni de bijoux. Ne pas approcher les cheveux, vêtements et gants des pièces en mouvement.** Les vêtements amples, les bijoux ou les cheveux longs risquent d'être happés par les pièces en mouvement.
15. **Si des dispositifs sont prévus pour l'extraction et la récupération des poussières, vérifier qu'ils sont connectés et utilisés correctement.** L'utilisation de ces dispositifs peut réduire les risques liés aux poussières.

### UTILISATION ET ENTRETIEN DE L'OUTIL ÉLECTRIQUE

16. **Ne pas forcer l'outil électrique. Utiliser l'outil électrique approprié à l'application considérée.** L'outil électrique adapté au projet considéré produira de meilleurs résultats, dans des conditions de sécurité meilleures, à la vitesse pour laquelle il a été conçu.
17. **Ne pas utiliser l'outil électrique si le commutateur ne le met pas sous ou hors tension.** Tout outil électrique dont le commutateur de marche-arrêt est inopérant est dangereux et doit être réparé.
18. **Débrancher la fiche de la prise d'alimentation et/ou la batterie de l'outil électrique avant d'effectuer des réglages, de changer d'accessoires ou de ranger l'outil.** De telles mesures de sécurité préventive réduisent le risque de mettre l'outil en marche accidentellement.
19. **Ranger les outils électriques inutilisés hors de la portée des enfants et ne pas laisser des personnes qui connaissent mal les outils électriques ou ces instructions utiliser ces outils.** Les outils électriques sont dangereux dans les mains d'utilisateurs non formés à leur usage.
20. **Entretien des outils électriques. S'assurer de l'absence de tout désalignement ou de grippage des pièces mobiles, de toute rupture de pièce ou de toute autre condition qui pourrait affecter le bon fonctionnement de l'outil électrique. En cas de dommages, faire réparer l'outil avant de l'utiliser de nouveau.** Les outils électriques mal entretenus sont à la source de nombreux accidents.
21. **Garder les outils de coupe affûtés et propres.** Les outils de coupe correctement entretenus et bien affûtés risquent moins de se gripper et sont plus faciles à manier.
22. **Utiliser cet outil électrique, les accessoires, les mèches, etc. conformément à ces instructions et de la façon prévue pour ce type particulier d'outil électrique, tout en prenant en compte les conditions de travail et le type de projet considérés.** L'utilisation de cet outil électrique pour un usage autre que l'usage prévu peut créer des situations dangereuses.

### ENTRETIEN









23. **Faire effectuer l'entretien de l'outil électrique par un technicien qualifié qui n'utilisera que des pièces de rechange identiques.** La sécurité d'utilisation de l'outil en sera préservée.

## RÈGLES DE SÉCURITÉ PARTICULIÈRES

1. **Tenir l'outil par les surfaces de prise isolées si, au cours des travaux, l'outil de coupe risque d'entrer en contact avec des fils cachés ou avec son propre cordon.** Le contact avec un fil sous tension met les parties métalliques exposées de l'outil sous tension, ce qui infligera un choc électrique à l'opérateur.
2. **Porter des protège-oreilles.** Une exposition au bruit peut provoquer une perte auditive.
3. **Utiliser les poignées auxiliaires fournies avec l'outil.** Une perte de contrôle peut provoquer des blessures.
4. **Tenez les mains à l'écart des arêtes tranchantes et des pièces en mouvement.**
5. **Entretenez les étiquettes et marques du fabricant.** Les indications qu'elles contiennent sont précieuses. Si elles deviennent illisibles ou se détachent, faites-les remplacer gratuitement à un centre de service **MILWAUKEE** accrédité.
6. **AVERTISSEMENT!** La poussière dégagée par perçage, sciage et autres travaux de construction contient des substances chimiques reconnues comme pouvant causer le cancer, des malformations congénitales ou d'autres troubles de reproduction. Voici quelques exemples de telles substances :
  - Le plomb contenu dans la peinture au plomb.
  - Le silice cristallin contenu dans la brique, le béton et divers produits de maçonnerie.
  - L'arsenic et le chrome servant au traitement chimique du bois.

Les risques associés à l'exposition à ces substances varient, dépendant de la fréquence des travaux. Afin de minimiser l'exposition à ces substances chimiques, assurez-vous de travailler dans un endroit bien aéré et d'utiliser de l'équipement de sécurité tel un masque antipoussière spécifiquement conçu pour la filtration de particules microscopiques.

### Pictographie

	Double Isolation
	Courant alternatif
	Ampères
	Tours-minute à vide (RPM)
	T-min. Charge/vide
	Underwriters Laboratories, Inc.
	l'Association canadienne de normalisation (ACNOR)
	Inscription mexicaine d'approbation

### Spécifications

No de Cat.	Volts CA	A	T-min. Charge/ vide	Coups-min. Charge/ vide	Forets-Percussion Carburés	Carottiers à percussion	Pièce d'ancrage à autoforage	Ciseaux
5314-21	120	11	385*	3 400*	40 mm (1-1/2")	152 mm (6")	16 mm (5/8")	Voir p. 17
5318-21	120	11	385*	3 400*	40 mm (1-1/2")	152 mm (6")	16 mm (5/8")	

\* EFCC - La commande du circuit électronique de réaction « EFCC » maintient une vitesse de rotation constante sans égard à la charge.

## DESCRIPTION FONCTIONNELLE

1. Commande d'arrêt de rotation (No de Cat. 5314-21 seulement)
2. Poignée
3. Détente
4. Poignée latérale
5. Écran antipoussière
6. Collet de déclenchement de foret



Cat. No. 5314-21

## MISE À LA TERRE



### AVERTISSEMENT!

Si le fil de mise à la terre est incorrectement raccordé, il peut en résulter des risques de choc électrique. Si vous n'êtes pas certain que la prise dont vous vous servez est correctement mise à la terre, faites-la vérifier par un électricien. N'altérez pas la fiche du cordon de l'outil. N'enlevez pas de la fiche, la dent qui sert à la mise à la terre. N'employez pas l'outil si le cordon ou la fiche sont en mauvais état. Si tel est le cas, faites-les réparer dans un centre-service MILWAUKEE accrédité avant de vous en servir. Si la fiche du cordon ne s'adapte pas à la prise, faites remplacer la prise par un électricien.

### Outils mis à la terre :

#### Outils pourvus d'une fiche de cordon à trois dents

Les outils marqués « Mise à la terre requise » sont pourvus d'un cordon à trois fils dont la fiche a trois dents. La fiche du cordon doit être branchée sur une prise correctement mise à la terre (voir Figure A). De cette façon, si une défectuosité dans le circuit électrique de l'outil survient, le relais à la terre fournira un conducteur à faible résistance pour décharger le courant et protéger l'utilisateur contre les risques de choc électrique.

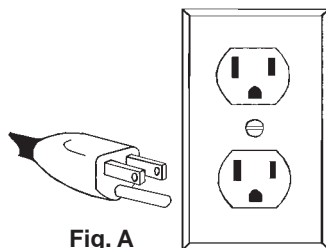


Fig. A

La dent de mise à la terre de la fiche est reliée au système de mise à la terre de l'outil via le fil vert du cordon. Le fil vert du cordon doit être le seul fil raccordé à un bout au système de mise à la terre de l'outil et son autre extrémité ne doit jamais être raccordée à une borne sous tension électrique.

Votre outil doit être branché sur une prise appropriée, correctement installée et mise à la terre conformément aux codes et ordonnances en vigueur. La fiche du cordon et la prise de courant doivent être semblables à celles de la Figure A.

### Outils à double isolation :

#### Outils pourvus d'une fiche de cordon à deux dents

Les outils marqués « Double Isolation » n'ont pas besoin d'être raccordés à la terre. Ils sont pourvus d'une double isolation conforme aux exigences de l'OSHA et satisfont aux normes de l'Underwriters Laboratories, Inc., de l'Association canadienne de normalisation (ACNOR) et du « National Electrical Code » (code national de l'électricité). Les outils à double isolation peuvent être branchés sur n'importe laquelle des prises à 120 volt illustrées ci-contre Figure B et C.

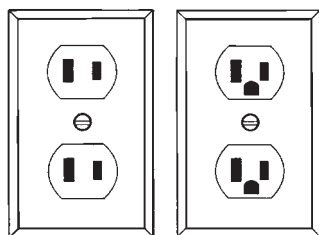


Fig. B

Fig. C

## CORDONS DE RALLONGE

Si l'emploi d'un cordon de rallonge est nécessaire, un cordon à trois fils doit être employé pour les outils mis à la terre. Pour les outils à double isolation, on peut employer indifféremment un cordon de rallonge à deux ou trois fils. Plus la longueur du cordon entre l'outil et la prise de courant est grande, plus le calibre du cordon doit être élevé. L'utilisation d'un cordon de rallonge incorrectement calibré entraîne une chute de voltage résultant en une perte de puissance qui risque de détériorer l'outil. Reportez-vous au tableau ci-contre pour déterminer le calibre minimum du cordon.

Moins le calibre du fil est élevé, plus sa conductivité est bonne. Par exemple, un cordon de calibre 14 a une meilleure conductivité qu'un cordon de calibre 16. Lorsque vous utilisez plus d'une rallonge pour couvrir la distance, assurez-vous que chaque cordon possède le calibre minimum requis. Si vous utilisez un seul cordon pour brancher plusieurs outils, additionnez le chiffre d'intensité (ampères) inscrit sur la fiche signalétique de chaque outil pour obtenir le calibre minimal requis pour le cordon.

### Directives pour l'emploi des cordons de rallonge

- Si vous utilisez une rallonge à l'extérieur, assurez-vous qu'elle est marquée des sigles « W-A » (« W » au Canada) indiquant qu'elle est adéquate pour usage extérieur.
- Assurez-vous que le cordon de rallonge est correctement câblé et en bonne condition. Remplacez tout cordon de rallonge détérioré ou faites-le remettre en état par une personne compétente avant de vous en servir.
- Tenez votre cordon de rallonge à l'écart des objets rancissants, des sources de grande chaleur et des endroits humides ou mouillés.

### Calibres minimaux recommandés pour les cordons de rallonge\*

Fiche signalétique Ampères	Longueur du cordon de rallonge (m)					
	7,6	15,2	22,8	30,4	45,7	60,9
0 - 5,0	16	16	16	14	12	12
5,1 - 8,0	16	16	14	12	10	--
8,1 - 12,0	14	14	12	10	--	--
12,1 - 15,0	12	12	10	10	--	--
15,1 - 20,0	10	10	10	--	--	--

\* Basé sur une chute de voltage limite de 5 volts à 150% de l'intensité moyenne de courant.

**LISEZ ATTENTIVEMENT CES INSTRUCTIONS  
ET CONSERVEZ-LES POUR LES  
CONSULTER AU BESOIN.**

## MONTAGE DE L'OUTIL

### **AVERTISSEMENT!**

Afin de réduire le risque de blessures, débranchez toujours l'outil avant d'y faire des réglages, d'y attacher ou d'en enlever les accessoires. L'usage d'accessoires autres que ceux qui sont spécifiquement recommandés pour cet outil peut comporter des risques.

### **AVERTISSEMENT!**

Pour minimiser les risques de blessures corporelles, utilisez toujours la poignée latérale lorsque vous maniez l'outil. Étayez-la ou maintenez-la solidement.

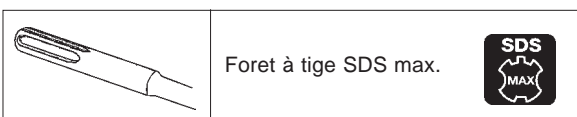
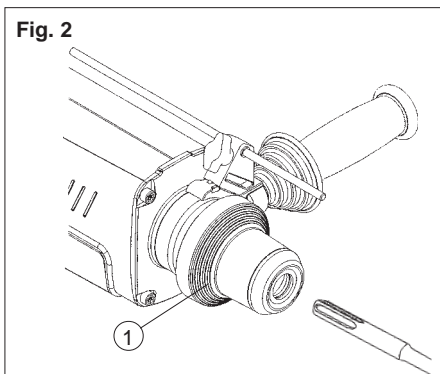
#### Positionnement de la poignée latérale (Fig. 1)



1. Desserrez légèrement la poignée en la dévissant.
2. Faites-la pivoter à la position requise.
3. Serrez-la à fond.

#### Insertion des forets et ciseaux (Fig. 2) Système d'entraînement à cannelures « SDS max. » (No de cat. 5314-21)

Le marteau No 5314-21 utilise des forets SDS max. des ciseaux à percussion en acier.

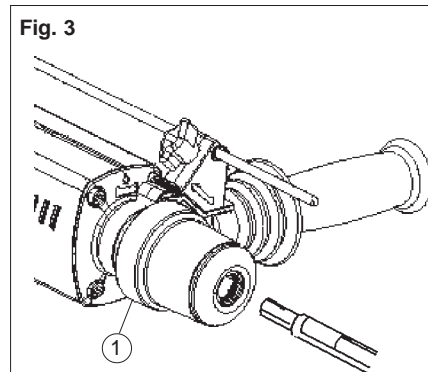


1. Insérez le foret ou le ciseau dans le bec de l'outil.
2. Tournez la pièce lentement jusqu'à ce qu'elle s'aligne sur le mécanisme d'enclenchement.
3. Poussez la pièce dans l'outil pour qu'elle s'enclenche.
4. Tirez sur la pièce pour vérifier l'enclenchement.
5. Pour retirer le foret ou le ciseau, tirez le collet de déclenchement (1) du foret vers l'arrière de l'outil et enlevez la pièce.

**N.B.** Soyez prudent lorsque vous maniez des forets ou des ciseaux brûlants.

#### Insertion des forets et ciseaux (Fig. 3) Système d'entraînement à cannelures (No de cat. 5318-21)

Les marteaux rotatifs No 5318-21 utilise des forets carburés à tige cannelée et des ciseaux à percussion en acier à tige ronde et hexagonale.



	Foret rotatif à tige cannelée	
	Ciseau à tige ronde et hexagonale.	

1. Insérez le foret ou le ciseau dans le bec de l'outil.  
Si vous utilisez un foret, assurez-vous que les cannelures de la queue s'emboîtent dans les cannelures de la paroi intérieure du bec de l'outil.  
Si vous utilisez un ciseau, assurez-vous que l'encoche sur la tige est orientée vers le dessus (Fig. 3).
2. Poussez la pièce dans l'outil pour qu'elle s'enclenche.
3. Tirez sur la pièce pour vérifier l'enclenchement.
4. Pour retirer le foret ou le ciseau, tirez le collet de déclenchement (1) du foret vers l'arrière de l'outil et enlevez la pièce.

**N.B.** Soyez prudent lorsque vous maniez des forets ou des ciseaux brûlants.



Ces marteaux rotatifs sont pourvus d'une commande de circuit électronique de réaction « EFCC » qui améliore le rendement et la durée de l'outil.

### Démarrage souple

Cette caractéristique réduit l'effet du couple antagoniste sur l'outil et l'utilisateur. Elle augmente graduellement la vitesse du moteur entre le point mort et la vitesse désignée au sélecteur de régime.

### Commande de réaction

Le système de commande électronique de régime permet à l'outil de maintenir une vitesse constante entre les conditions de fonctionnement à vide ou à charge.

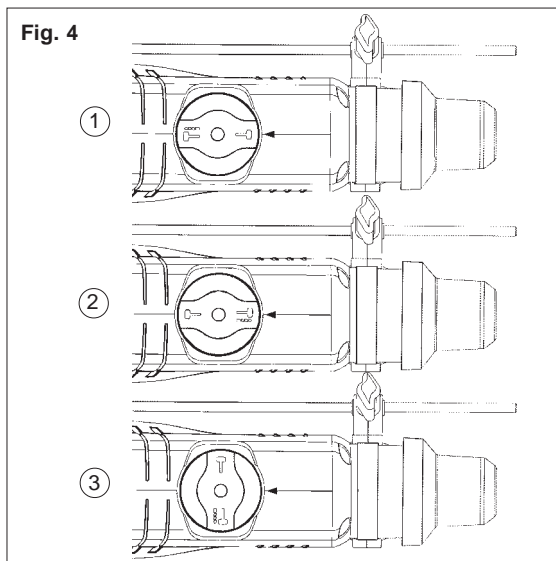


### AVERTISSEMENT!

Pour minimiser les risques de blessures, portez des lunettes à coques latérales.

### Sélection de l'action (Fig. 4) (No de cat. 5314-21)

Le marteau rotatif 5314-21 est muni d'un bouton d'arrêt de rotation qui peut être réglé à « percussion seulement », « percussion avec rotation » ou « réglage de burinage ».



1. **Percussion seulement.** Utiliser avec les accessoires pour la « percussion seulement ». Utiliser ce réglage (1) pour le burinage ou pour régler des chevilles autoperceuses.
2. **Percussion avec rotation.** Utiliser ce réglage (2) pour percer des trous avec des forets ou des mèches.
3. **Réglage de burinage.** Utiliser ce réglage (3) pour régler l'angle de la lame de burin par rapport à l'outil. Avec un burin monté sur l'outil :
  - tourner le bouton à ce réglage
  - placer le burin à l'angle désiré
  - régler l'outil pour la percussion seulement

**N.B. :** Pour engager le mécanisme de percussion, maintenir la pression sur le foret. Lorsque la pression sur le foret est relâchée, la percussion s'arrête.



### AVERTISSEMENT!

Pour minimiser les risques de blessures, lors de l'usage d'un ciseau ou d'un autre outil de percussion avec un marteau 5314-21, placez la commande d'arrêt de rotation du marteau à la position percussion seulement.

### Percussion seulement « Hammering only » Système d'entraînement SDS max. (No de cat. 5314-21)

Lorsque vous utilisez un ciseau ou un autre outil de percussion avec le marteau 5314-21, la commande d'arrêt de rotation doit être placée à la position de percussion seulement. Le mécanisme d'entraînement rotatoire des modèles 5314-21 engage la rotation du ciseau ou de l'outil à percussion qui y est installé, lorsque la commande d'arrêt de rotation est à la position percussion avec rotation.

### Percussion seulement « Hammering only » Système d'entraînement à cannelures (No de cat. 5318-21)

Lorsqu'un ciseau ou un autre outil de percussion seulement est installé sur les marteaux 5318-21, le mécanisme d'entraînement rotatoire n'engage pas la rotation du ciseau ou de l'outil de percussion.

### Démarrage et arrêt de l'outil

1. Pour **mettre** l'outil en marche, appuyez sur la détente.
2. Pour **arrêter** l'outil, relâchez la détente.

### Démarrage à froid

Si l'outil est rangé durant longtemps à basse température, il se peut que la percussion ne débute pas immédiatement parce que le lubrifiant sera figé. Pour réchauffer l'outil :

1. Insérez un foret ou un ciseau et verrouillez-le dans l'outil.
2. Mettez l'outil en marche en appuyant fortement le foret ou le ciseau sur une surface de béton ou de bois.
3. Faites alterner la mise en marche et l'arrêt à plusieurs reprises par intervalles de quelques secondes. En peu de temps, l'outil commencera à fonctionner. Plus l'outil sera froid, plus le temps de réchauffement sera long.

### Percussion ou percussion avec rotation

Placez l'outil et empoignez-le solidement puis appuyez sur la détente.

N'exercez que la pression nécessaire à maintenir l'outil en place et empêcher la pointe du foret de « patiner » sur la surface. Cet outil a été conçu de façon à fournir le meilleur rendement à pression modérée.

Si, au cours du perçage d'un trou profond, retirez partiellement le foret pendant qu'il tourne pour que les débris de forage soient éjectés.

**N.B.** N'utilisez pas d'eau pour abattre la poussière pour éviter de bloquer les cannelures du foret et d'en occasionner le grippage. S'il arrive que le foret reste coincé, le dispositif à couple élevé d'accouplement à glissement non réglable intégré au mécanisme de l'outil arrêtera automatiquement la rotation du foret. En tel cas, relâchez la détente, dégagez le foret et recommencez à percer.

### Utilisation de carottiers percutants (Fig. 5-8)

Les carottiers sont utiles pour percer de grands trous pour les conduits et les tuyaux. Les carottiers robustes de *MILWAUKEE* sont pourvus de parois d'acier trempé et de dents carburées. Ces carottiers sont spécifiquement conçus pour le forage rapide et précis en rotation avec percussion.

1. Nettoyez et lubrifiez le filetage de l'adaptateur du carottier. Ceci rendra le démontage plus facile. Vissez le bout fileté de l'adaptateur dans l'arrière du carottier.
2. Poussez la plaque de guidage sur le bout pointu de la goupille de centrage. Insérez la goupille de centrage et la plaque de guidage ainsi reliées dans le carottier. Assurez-vous que le bout le plus petit de la goupille est bien en place dans le trou au centre du carottier (Fig. 5).



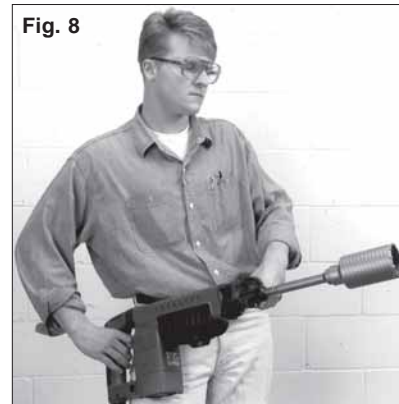
3. Insérez l'adaptateur dans le bec de l'outil tel que décrit sous la rubrique « Insertion des forets ». Placez la commande d'arrêt de rotation à la position de percussion avec rotation « hammering-with-rotation ».
4. Appuyez fermement la goupille de centrage sur le point de repère central du trou à percer, tenez l'outil solidement et appuyez sur la détente (Fig. 6).



**N.B.** Si une goupille de centrage et une plaque de guidage ne sont pas disponibles, utilisez un gabarit ou une planche encochée pour commencer à percer (Fig. 7).



5. Lorsque le trou atteint la profondeur des dents du carottier, retirez la goupille de centrage et la plaque de guidage. Continuez ensuite à driller.
6. Pour remplacer le carottier, pointez l'outil vers le haut en l'écartant de vous, tel qu'indiqué, et faites-le tourner un moment à vide pour desserrer le carottier de l'adaptateur (Fig. 8).



**N.B.** Pour les trous plus profonds, retirez le carottier du trou, brisez et enlevez la carotte. Reprenez le perçage.

### Utilisation des carottiers LHS à percussion et rotation (Fig. 9-12)

Les carottiers percutants sont utiles pour forer des trous d'un grand diamètre pour le passage des tuyaux et des conduites. Les carottiers percutants *MILWAUKEE* extra robustes sont faits d'acier trempé et pourvus de pointes durables au carbure. Ils sont conçus spécifiquement pour un forage rapide et précis employant l'action combinée de la rotation et de la percussion.

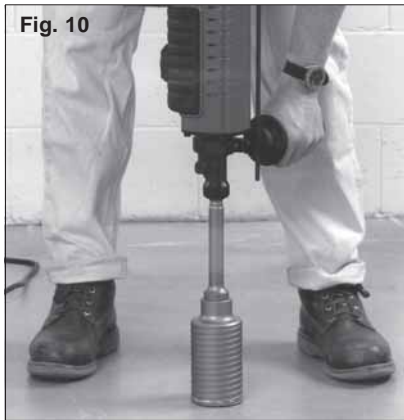
1. Nettoyez et lubrifiez le filetage de l'adaptateur et du carottier tel qu'indiqué. Ceci rendra le démontage plus facile. Vissez le bout fileté de la goupille de centrage dans l'arrière du carottier. Vissez la tige de l'adaptateur sur la goupille de centrage.

**N.B.** Si vous utilisez une rallonge, vissez d'abord la tige de l'adaptateur à la rallonge. ensuite, vissez le carottier sur la rallonge (Fig. 9).



2. Introduisez l'adaptateur dans le bec de l'outil tel que décrit sous « Utilisation de carottiers percutants ». Placez la commande d'arrêt de rotation à la position de percussion et rotation « hammering-with-rotation ».

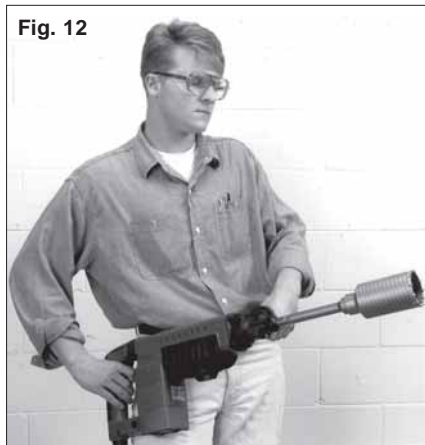
3. Pressez fermement la goupille de centrage sur le repère de votre matériau, tenez solidement l'outil et appuyez sur la détente (Fig. 10).



**N.B.** Si le goujon fileté No 48-20-5099 est employé, utilisez un gabarit ou une planche encochée pour entamer le trou (Fig. 11).



4. Pour changer le carottier, tournez l'outil vers le haut, pointant à l'écart de votre corps tel qu'indiqué, et faites-le tourner brièvement en sens horaire pour relâcher le carottier de l'adaptateur (Fig. 12).



**N.B.** Pour percer des trous plus profonds, retirez le carottier, brisez et enlevez la carotte. Reprenez le perçage. Lorsque vous percez des trous profonds, retirez partiellement le carottier du trou tandis que l'outil tourne pour aider à dégager la poussière. La poussière peut bloquer les cannelures du carottier et elle favorise le grippage du carottier.



## AVERTISSEMENT!

Afin de réduire le risque de blessures corporelles et de dommage à l'outil ou à la surface de travail.

- Utilisez toujours le mode de percussion seulement, « hammering only » pour la pose des pièces d'ancrage. N'employez jamais le mode de percussion avec rotation « hammering-with-rotation » pour ce travail.
- Ne passez jamais du mode de percussion au mode de percussion avec rotation avant que la pièce d'ancrage ne soit parfaitement fixée et que le mandrin à pièce d'ancrage dentelée ne soit retiré de la pièce d'ancrage.

### Pose des pièces d'ancrage à autoforage (Fig. 13-18) (No de cat. 5314-21 seulement)

Les marteaux rotatifs 5314-21 sont pourvus d'une commande d'arrêt de rotation. Cette caractéristique est utile pour la pose des pièces d'ancrage autoforeuses jusqu'à 15,9 mm (5/8"). Les pièces d'ancrage dentelées MILWAUKEE exigent l'emploi d'un adaptateur conique de type B.

Fig. 13

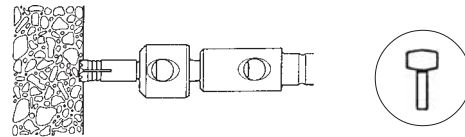


Fig. 14

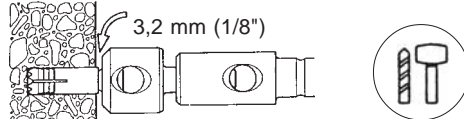


Fig. 15

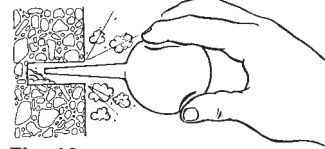


Fig. 16

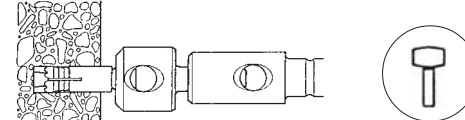


Fig. 17

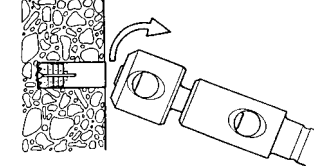
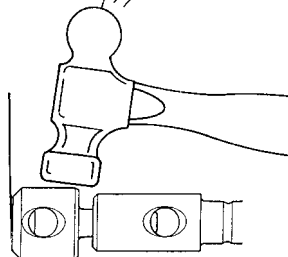


Fig. 18



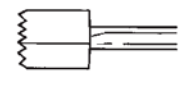
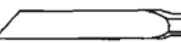



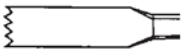
- Placez le mandrin à pièce d'ancrage dentelée approprié dans l'adaptateur conique de type B. Ensuite, introduisez l'adaptateur conique de type B dans l'outil et verrouillez-le en place tel qu'indiqué sous la rubrique « Installation des forets et des ciseaux ».
- Introduisez la pièce d'ancrage dans le mandrin à pièce d'ancrage dentelée. Placez la commande d'arrêt de rotation à la position de percussion seulement « hammering only ». Posez la pièce d'ancrage sur votre repère et martelez-la jusqu'à ce que les dents de la pièce aient pénétré le béton (Fig. 13).
- Tournez la commande d'arrêt de rotation à la position de percussion avec rotation « hammering-with-rotation » et forez jusqu'à ce que le mandrin doit à 3,2 mm (1/8") au-dessus du béton (Fig. 14).  
**N.B.** Il peut être nécessaire de débarrasser la pièce d'ancrage de la poussière et des rognures plusieurs fois durant le forage d'un trou.
- Retirez la pièce d'ancrage du trou pendant que l'outil tourne encore. Nettoyez la pièce d'ancrage en la pointant vers le bas et en actionnant plusieurs fois le moteur de l'outil de façon intermittente. Enlevez la poussière du trou à l'aide d'un aspirateur ou d'une poire à souffler (Fig. 15).
- Placez la cheville de retenue dans la pièce d'ancrage et introduisez la pièce d'ancrage dans le trou. Tournez la commande d'arrêt de rotation à la position de percussion seulement « hammering only » et martelez fermement la pièce d'ancrage dans le trou (Fig. 16).
- Détachez la tête de la pièce d'ancrage. Pour retirer la tête d'une pièce d'un calibre maximal de 15,9 mm (5/8") maintenez solidement les poignées et tirez brusquement l'outil vers vous (Fig. 17) ou détachez la tête de la pièce d'ancrage avec marteau, tel qu'indiqué (Fig. 18). La pièce d'ancrage est maintenant prête à recevoir le boulon.
- Pour retirer la tête de la pièce d'ancrage du mandrin à pièce d'ancrage, utilisez le goujon d'éjection No 48-86-0100.
- Pour retirer le mandrin à pièce d'ancrage, retirez d'abord l'adaptateur conique de type B du bec de l'outil. Introduisez le goujon d'éjection qui accompagne l'adaptateur dans le trou sur le côté de l'adaptateur conique de type B et frappez-le d'un coup sec pour éjecter le mandrin à pièce d'ancrage.

## Cisellement et burinage

Les marteaux rotatifs *MILWAUKEE* 40 mm (1-1/2") employés pour le burinage et le cisellement.

Pour buriner, tenez l'outil à angle de la surface de travail. Commencez par un coin ou en bordure de la surface et ciselez une petite partie de la surface à la fois plutôt que d'en prendre trop grand.

Plusieurs genres d'accessoires sont offerts :

	<b>Boucharde</b> Employée pour les surfaces en béton.
	<b>Ciseau à mortier (outil à joint)</b> Servant à enlever le vieux mortier avant de jointoyer ou de calfeutrer.
	<b>Ciseau à pointe robuste</b> Employé pour les travaux de démolition et pour commencer le forage d'un trou dans une dalle de béton.
	<b>Ciseau à plat</b> Employé pour cisailer les bords, rainurer et dégrossir les surfaces.
	<b>Ciseau à détartre</b> Servant à enlever le tartre et les éclaboussures de soudage ou couper en ligne droite.
	<b>Ciseau à fendre</b> Pour faire des fentes et découper entre les trous pratiqués dans le béton ou la maçonnerie.

## MAINTENANCE



### AVERTISSEMENT!

Pour minimiser les risques de blessures, débranchez toujours l'outil avant d'y effectuer des travaux de maintenance. Ne faites pas vous-même le démontage de l'outil ni le rebobinage du système électrique. Consultez un centre de service **MILWAUKEE** accrédité pour toutes les réparations.

### Entretien de l'outil

Gardez l'outil en bon état en adoptant un programme d'entretien ponctuel. Avant de vous en servir, examinez son état en général. Inspectez-en la garde, interrupteur, cordon et cordon de rallonge pour en déceler les défauts. Vérifiez le serrage des vis, l'alignement et le jeu des pièces mobiles, les vices de montage, bris de pièces et toute autre condition pouvant en rendre le fonctionnement dangereux. Si un bruit ou une vibration insolite survient, arrêtez immédiatement l'outil et faites-le vérifier avant de vous en servir de nouveau. N'utilisez pas un outil défectueux. Fixez-y une étiquette marquée « HORS D'USAGE » jusqu'à ce qu'il soit réparé (voir « Réparations »).

Normalement, il ne sera pas nécessaire de lubrifier l'outil avant que le temps ne soit venu de remplacer les balais. Après une période pouvant aller de 6 mois à un an, selon l'usage, retournez votre outil à un centre de service **MILWAUKEE** accrédité pour obtenir les services suivants :

- Lubrification
- Inspection et remplacement des balais
- Inspection et nettoyage de la mécanique (engrenages, pivots, coussinets, boîtier etc.)
- Inspection électrique (interrupteur, cordon, induit etc.)
- Vérification du fonctionnement électromécanique



### AVERTISSEMENT!

Pour minimiser les risques de blessures, choc électrique et dommage à l'outil, n'immergez jamais l'outil et ne laissez pas de liquide s'y infiltrer.

### Nettoyage

Débarrassez les événements des débris et de la poussière. Gardez les poignées de l'outil propres, à sec et exemptes d'huile ou de graisse. Le nettoyage de l'outil doit se faire avec un linge humide et un savon doux. Certains nettoyeurs tels l'essence, la térébenthine, les diluants à laque ou à peinture, les solvants chlorés, l'ammoniaque et les détergents d'usage domestique qui en contiennent pourraient détériorer le plastique et l'isolation des pièces. Ne laissez jamais de solvants inflammables ou combustibles auprès des outils.

### Réparations

Si votre outil est endommagé, retournez l'outil entier au centre de maintenance le plus proche.

## ACCESSOIRES



### AVERTISSEMENT!

Pour minimiser les risques de blessures, débranchez toujours l'outil avant d'y installer ou d'en enlever les accessoires. L'emploi d'accessoires autres que ceux qui sont expressément recommandés pour cet outil peut présenter des risques.

Pour une liste complète des accessoires, prière de se reporter au catalogue **MILWAUKEE** Electric Tool ou visiter le site internet [www.milwaukeetool.com](http://www.milwaukeetool.com). Pour obtenir un catalogue, il suffit de contacter votre distributeur local ou l'un des centres-service.

## GARANTIE LIMITÉE DE L'OUTIL DE CINQ ANS

Tous les outils **MILWAUKEE** sont testés avant de quitter l'usine et sont garantis exempts de vice de matériau ou de fabrication. **MILWAUKEE** réparera ou remplacera (à la discrétion de **MILWAUKEE**), sans frais, tout outil (y compris les chargeurs de batterie) dont l'examen démontre le caractère défectueux du matériau ou de la fabrication dans les cinq (5) ans suivant la date d'achat. Retourner l'outil et une copie de la facture ou de toute autre preuve d'achat à une branche Entretien usine/Assistance des ventes de l'établissement **MILWAUKEE** ou à un centre d'entretien agréé par **MILWAUKEE**, en port payé et assuré. Cette garantie ne couvre pas les dommages causés par les réparations ou les tentatives de réparation par quiconque autre que le personnel agréé par **MILWAUKEE**, les utilisations abusives, l'usure normale, les carences d'entretien ou les accidents.

Les batteries, les lampes de poche et les radios sont garanties pour un (1) an à partir de la date d'achat.

LES SOLUTIONS DE RÉPARATION ET DE REMPLACEMENT DÉCRITES PAR LES PRÉSENTES SONT EXCLUSIVES. **MILWAUKEE** NE SAURAIT ÊTRE RESPONSABLE, EN AUCUNE CIRCONSTANCE, DES DOMMAGES ACCESSOIRES, SPÉCIAUX OU INDIRECTS, Y COMPRIS LES MANQUES À GAGNER.

CETTE GARANTIE EST EXCLUSIVE ET REMPLACE TOUTES LES AUTRES GARANTIES OU CONDITIONS, ÉCRITES OU ORALES, EXPRESSES OU TAÇITES DE QUALITÉ MARCHANDE OU D'ADAPTATION À UNE UTILISATION OU UNE FIN PARTICULIÈRE.

Cette garantie vous donne des droits particuliers. Vous pouvez aussi bénéficier d'autres droits variant d'un état à un autre et d'une province à une autre. Dans les états qui n'autorisent pas les exclusions de garantie tacite ou la limitation des dommages accessoires ou indirects, les limitations ou exclusions ci-dessus peuvent ne pas s'appliquer. Cette garantie s'applique aux États-Unis, au Canada et au Mexique uniquement.



## REGLAS DE SEGURIDAD GENERALES PARA HERRAMIENTAS ELÉCTRICAS



**¡ADVERTENCIA!**

### LEA TODAS LAS INSTRUCCIONES

Si no se siguen todas las siguientes instrucciones se puede provocar una descarga eléctrica, un incendio y/o lesiones graves. El término "herramienta eléctrica" en todas las advertencias incluidas más abajo se refiere a su herramienta operada por conexión (cable) a la red eléctrica o por medio de una batería (inalámbrica).

### GUARDE ESTAS INSTRUCCIONES

### SEGURIDAD EN EL ÁREA DE TRABAJO

1. **Mantenga limpia y bien iluminada el área de trabajo.** Las áreas desordenadas u oscuras contribuyen a que se produzcan accidentes.
2. **No utilice herramientas eléctricas en atmósferas explosivas, como en la presencia de líquidos, gases o polvo inflamables.** Las herramientas eléctricas crean chispas que pueden incendiar el polvo o las emanaciones.
3. **Mantenga a los niños y otras personas alejadas mientras utiliza una herramienta eléctrica.** Las distracciones pueden hacerle perder el control.

### SEGURIDAD ELÉCTRICA

4. **Los enchufes de las herramientas eléctricas deben ser del mismo tipo que el tomacorrientes. Nunca realice ningún tipo de modificación en el enchufe. No use enchufes adaptadores con herramientas eléctricas con conexión a tierra.** Se reducirá el riesgo de descarga eléctrica si no se modifican los enchufes y los tomacorrientes son del mismo tipo.
5. **Evite el contacto corporal con superficies con conexión a tierra, como tuberías, radiadores, estufas y refrigeradores.** El riesgo de descarga eléctrica aumenta si su cuerpo está conectado a tierra.
6. **No exponga la herramientas eléctricas a la lluvia o a condiciones de humedad.** El agua que entra en una herramienta eléctrica aumenta el riesgo de descarga eléctrica.
7. **No abuse del cable. Nunca use el cable para transportar la herramienta eléctrica, tirar de ella o desenchufarla. Mantenga el cable alejado del calor, los bordes afilados o las piezas en movimiento.** Los cables dañados o enmarañados aumentan el riesgo de descarga eléctrica.
8. **Cuando se utiliza una herramienta eléctrica en el exterior, use una extensión que sea apropiada para uso en el exterior.** El uso de un cable apropiado para el exterior reduce el riesgo de descarga eléctrica.

### SEGURIDAD PERSONAL

9. **Manténgase alerta, ponga cuidado a lo que está haciendo y use el sentido común cuando utilice una herramienta eléctrica. No use una herramienta eléctrica cuando está cansado o bajo la influencia de drogas, alcohol o medicinas.** Desprestarse un minuto cuando se utiliza una herramienta eléctrica puede tener como resultado lesiones personales graves.
10. **Use equipo de seguridad. Lleve siempre protección ocular.** Llevar equipo de seguridad apropiado para la situación, como una máscara antipolvo, zapatos de seguridad antideslizantes casco o protección auditiva, reducirá las lesiones personales.
11. **Evite los arranques accidentales. Asegúrese de que el interruptor esté en la posición de apagado antes de enchufar la herramienta.** Mover herramientas con el dedo en el interruptor o enchufar herramientas con el interruptor en la posición de encendido contribuye a que se produzcan accidentes.
12. **Quite todas las llaves de ajuste antes de encender la herramienta.** Una llave que esté acoplada a una pieza giratoria de la herramienta puede provocar lesiones personales.

13. **No se estire demasiado. Mantenga los pies bien asentados y el equilibrio en todo momento.** Esto permite tener mejor control de la herramienta eléctrica en situaciones inesperadas.
14. **Vístase de manera apropiada. No lleve ropa suelta ni joyas. Mantenga el cabello, la ropa y los guantes lejos de la piezas en movimiento.** La ropa floja, las joyas o el cabello largo pueden quedar atrapados en las piezas en movimiento.
15. **Si se proporcionan dispositivos para la conexión de sistemas de recolección y extracción de polvo, asegúrese de que estén conectados y se usen apropiadamente.** El uso de estos dispositivos puede reducir los peligros relacionados con el polvo.

### USO Y CUIDADO DE LAS HERRAMIENTAS ELÉCTRICAS

16. **No fuerce la herramienta eléctrica. Use la herramienta eléctrica correcta para la aplicación.** La herramienta eléctrica correcta funcionará mejor y de manera más segura a la velocidad para la que se diseñó.
17. **No use la herramienta eléctrica si el interruptor no la enciende ni la apaga.** Cualquier herramienta eléctrica que no se pueda controlar con el interruptor es peligrosa y se debe reparar.
18. **Desconecte el enchufe de la toma de alimentación y/o la batería de la herramienta eléctrica antes de realizar cualquier ajuste, cambiar accesorios o almacenar las herramientas eléctricas.** Dichas medidas preventivas de seguridad reducen el riesgo de que la herramienta se prenda accidentalmente.
19. **Almacene las herramientas eléctricas fuera del alcance de los niños y no permita que personas no familiarizadas con ellas o estas instrucciones las utilicen.** Las herramientas eléctricas son peligrosas en las manos de usuarios no capacitados.
20. **Mantenimiento de las herramientas eléctricas. Revise que no haya piezas móviles que estén desalineadas o que se atasquen, piezas rotas ni ninguna otra condición que pueda afectar el funcionamiento de la herramienta eléctrica. Si se encuentran daños, haga que le reparen la herramienta antes de usarla.** Las herramientas mal mantenidas son la causa de muchos accidentes.
21. **Mantenga las herramientas de corte limpias y afiladas.** Es menos probable que se atasquen las herramientas de corte con filos afilados que se mantienen de manera apropiada y también son más fáciles de controlar.
22. **Use la herramienta eléctrica, los accesorios y las brocas, etc. siguiendo estas instrucciones y de la manera para la que dicha herramienta eléctrica en particular fue diseñada, teniendo en cuenta las condiciones de trabajo y la tarea que se va a realizar.** El uso de la herramienta eléctrica para operaciones diferentes de aquellas para las que se diseño podría resultar en una situación peligrosa.






### MANTENIMIENTO

23. **Haga que un técnico calificado realice el mantenimiento de la herramienta eléctrica utilizando solamente piezas de repuesto idénticas.** Esto asegurará que se mantiene la seguridad de la herramienta eléctrica.

## REGLAS ESPECIFICAS DE SEGURIDAD

1. **Agarre la herramienta por los asideros aislados cuando realice una operación en la que la herramienta de corte pueda entrar en contacto con cables ocultos o con su propio cable.** El contacto con un cable "con corriente" hará que las partes de metal expuesto de la herramienta pasen la corriente y produzcan una descarga al operador.
2. **Lleve protectores auditivos.** La exposición a ruido puede producir la pérdida de la audición.
3. **Use los asideros auxiliares que se suministran con la herramienta.** La pérdida de control puede provocar lesiones personales.
4. **Mantenga las manos alejadas de todos los bordes cortadores y partes en movimiento.**
5. **Guarde las etiquetas y placas de especificaciones.** Éstas tienen información importante. Si son ilegibles, o si no se pueden encontrar, póngase en contacto con un centro de servicio de **MILWAUKEE** para una refacción gratis.
6. **¡ADVERTENCIA!** Algunas partículas de polvo resultantes del lijado mecánico, aserrado, esmerilado, taladrado y otras actividades relacionadas a la construcción, contienen sustancias químicas que se sabe ocasionan cáncer, defectos congénitos u otros daños al aparato reproductivo. A continuación se citan algunos ejemplos de tales sustancias químicas:
  - plomo proveniente de pinturas con base de plomo
  - sílice cristalino proveniente de ladrillos, cemento y otros productos de albañilería, y
  - arsénico y cromo provenientes de madera químicamente tratada.

El riesgo que usted sufre debido a la exposición varía dependiendo de la frecuencia con la que usted realiza estas tareas. Para reducir la exposición a estas sustancias químicas: trabaje en un área bien ventilada, y utilice equipo de seguridad aprobado como, por ejemplo, máscaras contra el polvo que hayan sido específicamente diseñadas para filtrar partículas microscópicas.

Simbología		Especificaciones									
	Doble aislamiento	<b>Cat. No.</b>	<b>Volts ca~</b>	<b>Amperios</b>	<b>rpm</b>	<b>golpes por minuto</b>	<b>Brocas c/carburo</b>	<b>Cortadores de corazon</b>	<b>Barren-anclas</b>	<b>Cinceles</b>	
	Volts corriente alterna	<b>5314-21</b>	120	11	385*	3 400*	40 mm (1-1/2")	152 mm (6")	16 mm (5/8")		Vea pag. 26
<b>A</b>	Amperios	<b>5318-21</b>	120	11	385*	3 400*	40 mm (1-1/2")	152 mm (6")	16 mm (5/8")		
$n_{o} \text{xxxx} / \text{min.}$	No de revoluciones de carga minuto (RPM)										
<b>BPM</b>	Golpes por minuto										
	Underwriters Laboratories, Inc.										
	Asociación de Normas Canadiense										
	Marca mejicana de la aprobación										

\* EFCC – El Circuito de control de información electrónica mantiene una velocidad constante bajo condiciones de carga variables

## DESCRIPCIÓN FUNCIONAL

1. Perilla para detención de la rotación (Cat. No. 5314-21 solamente)
2. Empuñadura
3. Gatillo
4. Mango lateral
5. Protector contra el polvo
6. Collar liberador de la broca



## TIERRA



### ¡ADVERTENCIA!

Puede haber riesgo de descarga eléctrica si se conecta el cable de conexión de puesta a tierra incorrectamente. Consulte con un electricista certificado si tiene dudas respecto a la conexión de puesta a tierra del tomacorriente. No modifique el enchufe que se proporciona con la herramienta. Nunca retire la clavija de conexión de puesta a tierra del enchufe. No use la herramienta si el cable o el enchufe está dañado. Si está dañado antes de usarlo, llévelo a un centro de servicio MILWAUKEE para que lo reparen. Si el enchufe no se acopla al tomacorriente, haga que un electricista certificado instale un tomacorriente adecuado.

#### Herramientas con conexión a tierra: Herramientas con enchufes de tres clavijas

Las herramientas marcadas con la frase "Se requiere conexión de puesta a tierra" tienen un cable de tres hilos y enchufes de conexión de puesta a tierra de tres clavijas. El enchufe debe conectarse a un tomacorriente debidamente conectado a tierra (véase la Figura A). Si la herramienta se avería o no funcionara correctamente, la conexión de puesta a tierra proporciona un trayecto de baja resistencia para desviar la corriente eléctrica de la trayectoria del usuario, reduciendo de este modo el riesgo de descarga eléctrica.

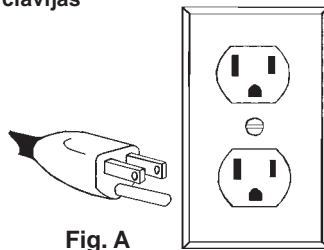


Fig. A

La clavija de conexión de puesta a tierra en el enchufe está conectada al sistema de conexión de puesta a tierra de la herramienta a través del hilo verde dentro del cable. El hilo verde debe ser el único hilo conectado al sistema de conexión de puesta a tierra de la herramienta y nunca se debe unir a una terminal energizada.

Su herramienta debe estar enchufada en un tomacorriente apropiado, correctamente instalado y conectado a tierra según todos los códigos y reglamentos. El enchufe y el tomacorriente deben asemejarse a los de la Figura A.

#### Herramientas con doble aislamiento: Herramientas con clavijas de dos patas

Las herramientas marcadas con "Doble aislamiento" no requieren conectarse "a tierra". Estas herramientas tienen un sistema aislante que satisface los estándares de OSHA y llena los estándares aplicables de UL (Underwriters Laboratories), de la Asociación Canadiense de Estándares (CSA) y el Código Nacional de Electricidad. Las herramientas con doble aislamiento pueden ser usadas en cualquiera de los toma corriente de 120 Volt mostrados en las Figuras B y C.

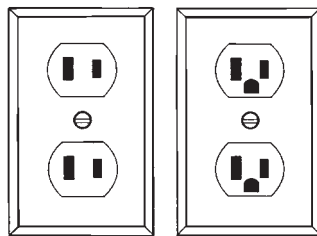


Fig. B

Fig. C

## EXTENSIONES ELÉCTRICAS

Las herramientas que deben conectarse a tierra cuentan con clavijas de tres patas y requieren que las extensiones que se utilicen con ellas sean también de tres cables. Las herramientas con doble aislamiento y clavijas de dos patas pueden utilizarse indistintamente con extensiones de dos a tres cables. El calibre de la extensión depende de la distancia que exista entre la toma de la corriente y el sitio donde se utilice la herramienta. El uso de extensiones inadecuadas puede causar serias caídas en el voltaje, resultando en pérdida de potencia y posible daño a la herramienta. La tabla que aquí se ilustra sirve de guía para la adecuada selección de la extensión.

Mientras menor sea el número del calibre del cable, mayor será la capacidad del mismo. Por ejemplo, un cable calibre 14 puede transportar una corriente mayor que un cable calibre 16. Cuando use más de una extensión para lograr el largo deseado, asegúrese que cada una tenga al menos, el mínimo tamaño de cable requerido. Si está usando un cable de extensión para más de una herramienta, sume los amperes de las varias placas y use la suma para determinar el tamaño mínimo del cable de extensión.

#### Guías para el uso de cables de extensión

- Si está usando un cable de extensión en sitios al aire libre, asegúrese que está marcado con el sufijo "W-A" ("W" en Canadá) el cual indica que puede ser usado al aire libre.
- Asegúrese que su cable de extensión está correctamente cableado y en buenas condiciones eléctricas. Cambie siempre una extensión dañada o hágala reparar por una persona calificada antes de volver a usarla.
- Proteja su extensión eléctrica de objetos cortantes, calor excesivo o áreas mojadas.

#### Calibre mínimo recomendado para cables de extensiones eléctricas\*

Amperes (En la placa)	Largo de cable de Extensión en(m)					
	7,6	15,2	22,8	30,4	45,7	60,9
0 - 5,0	16	16	16	14	12	12
5,1 - 8,0	16	16	14	12	10	--
8,1 - 12,0	14	14	12	10	--	--
12,1 - 15,0	12	12	10	10	--	--
15,1 - 20,0	10	10	10	--	--	--

\* Basado en limitar la caída en el voltaje a 5 volts al 150% de los amperes.

**LEA Y GUARDE TODAS LAS INSTRUCCIONES PARA FUTURAS REFERENCIAS.**

## ENSAMBAJE DE LA HERRAMIENTA



### ¡ADVERTENCIA!

Para reducir el riesgo de lesiones, desenchufe siempre la herramienta antes de fijar o retirar accesorios, o antes de efectuar ajustes. Utilice sólo los accesorios específicamente recomendados. El uso de otros accesorios puede ser peligroso.



### ¡ADVERTENCIA!

Para reducir el riesgo de lesiones, utilice siempre un mango lateral al trabajar con la herramienta. Sujete o mantenga de manera segura.

### Cómo ajustar la posición de la mango lateral (Fig. 1)

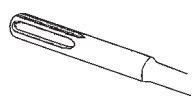
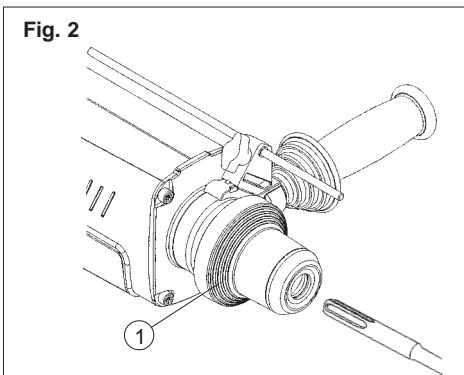


1. Afloje el mango lateral ligeramente destornillándolo en el sentido opuesto de las agujas del reloj.
2. Gire el mango lateral al ángulo requerido.
3. Apriete el mango con seguridad.

### Colocación de las brocas y los cinceles (Fig. 2) Sistema de arrastre SDS Max (Cat. No. 5314-21)

El Martillo rotatorio 5314-21 utiliza brocas de perforación SDS max y cinceles de acero de martillo.

Fig. 2



Broca con espiga SDS max



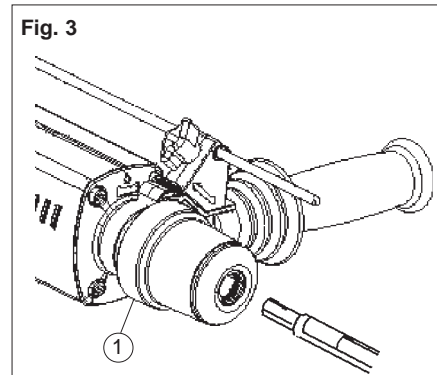
1. Inserte la broca o cincel en la nariz de la herramienta.
2. Gire la broca lentamente hasta que se alinee con el mecanismo asegurador.
3. Presione la broca en la herramienta hasta que se fije.
4. Asegúrese que la broca esté fija tirando de ella.
5. Para retirar las brocas y cinceles, tire del collar liberador (1) hacia la parte posterior de la herramienta y retire la broca.

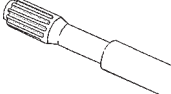



**NOTA:** Tenga cuidado cuando maneje brocas y cinceles calientes.

### Colocación de las brocas y los cinceles (Fig. 3) Sistema de arrastre de estrías (Cat. No. 5318-21)

El Martillos rotatorios 5318-21 utiliza brocas de carburo con ejes de estrías y cinceles de acero de martillo con espigas hexagonales redondas.

Fig. 3



	Broca rotatoria con espiga de estrías	
	Cincel con espiga hexagonal redonda	

1. Inserte la broca o cincel en la nariz de la herramienta.  
Si se está usando una broca rotatoria, asegúrese que las estrías de la espiga se acoplan a las estrías en el interior de la nariz de la herramienta.  
Si se usa un cincel, asegúrese de que la muesca de la espiga está orientada hacia el seguro de la broca (Fig. 3).
2. Presione la broca en la herramienta hasta que se fije.
3. Asegúrese que la broca esté fija tirando de ella.
4. Para retirar las brocas y cinceles, tire del collar liberador (1) hacia la parte posterior de la herramienta y retire la broca.

**NOTA:** Tenga cuidado cuando maneje brocas y cinceles calientes.

Estos martillos rotatorios disponen de Circuito de control de información electrónica (EFCC) que ayuda en la operación y duración de la herramienta.

**Arranque suave**

La función de arranque suave reduce la cantidad de reacción de torsión a la herramienta y al usuario. Esta función aumenta gradualmente la velocidad del motor desde cero hasta la velocidad establecida con el cuadrante de control de velocidad.

**Control de información**

El sistema de control electrónico de velocidad permite a la herramienta mantener una velocidad constant entre condiciones de carga y no carga.



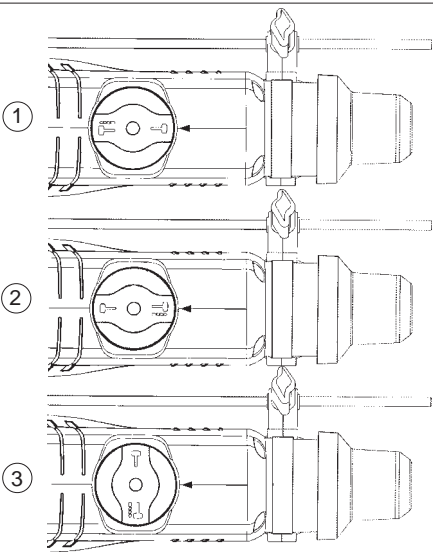
**¡ADVERTENCIA!**

Para reducir el riesgo de una lesión, use siempre lentes de seguridad o anteojos con protectores laterales.

**Selección de la Acción (Fig. 4)  
(Catálogo No. 5314-21)**

El Martillo Rotatorio 5314-21 incluye una manilla de parada de rotación. La manilla de parada de rotación puede ajustarse para “martilleo solamente”, “martilleo con rotación” o “ajuste del cincel”.

Fig. 4



1. **Martilleo solamente.** Para uso con accesorios de “martilleo solamente”. Utilice este reglaje (1) para cincelar o ajustar anclajes autoperforadores.
2. **Martilleo con rotación.** Utilice este reglaje (2) para taladrar orificios con brocas.
3. **Ajuste del cincel.** Utilice este reglaje (3) para ajustar el ángulo de la hoja del cincel en relación con la herramienta. Con un cincel montado en la herramienta:
  - gire la manilla hacia este reglaje
  - tuerza el cincel hasta el ángulo deseado
  - ajuste la herramienta para martilleo solamente

**NOTA:** Para hacer actuar el mecanismo de martilleo, mantenga la presión en la broca. Cuando se libera la presión en la broca, el martilleo se detendrá.



**¡ADVERTENCIA!**

Para reducir el riesgo de daños al usar los cincelos (u otros accesorios para martilleo solamente) en el Martillo rotatorio 5314-21, coloque la herramienta en la posición “martilleo solamente”.

**Martilleo solamente  
Sistema de arrastre SDS Max (Cat. No. 5314-21)**

Cuando use cincelos (u otro accesorio para la función de “martilleo solamente”) en el Martillo rotatorio 5314-21, se DEBE colocar la perilla para detención de la rotación en “martilleo solamente”. El mecanismo de arrastre rotacional del 5314-21 se activa con el cincel (u otro accesorio de “martilleo solamente”) cuando está montado en la herramienta y la perilla para detención de la rotación está colocada en “martilleo con rotación”.

**Martilleo solamente  
Sistema de arrastre por estría (Cat. No. 5318-21)**

Cuando se monta un cincel (u otro accesorio para la función de “martilleo solamente”) en el Martillos rotatorios 5318-21 el mecanismo impulsor rotatorio no se activa con el cincel.

**Arranque y apagado de la herramienta**

1. Para **arrancar** la herramienta, tire del gatillo.
2. Para **detenerla**, suelte el gatillo.

**Inicio en frío**

Puede suceder que si la herramienta ha estado guardada por mucho tiempo, o ha estado expuesta a bajas temperaturas, el mecanismo de percusión podría no funcionar debido a que el lubricante se ha endurecido. Para calentar la herramienta:

1. Coloque y asegure una broca o cincel en la herramienta.
2. Encienda la herramienta, aplicando fuerza a la broca o cincel, contra una superficie de concreto o de madera.
3. Accione y pare la herramienta repetidas veces con varios segundos de intervalo. En un momento la herramienta comenzará a martillar. Cuanto más fría esté la herramienta, más tiempo tardará en reaccionar.

El mango lateral funciona de una forma similar: la fuerza moderada del operador absorbe la vibración y una excesiva fuerza reduce este efecto.

**Martilleo o martilleo con rotación**

Coloque la unidad en posición, tome las empuñaduras firmemente y accione el gatillo.

Siempre mantenga firme la herramienta usando ambas manos y manteniendo el control. Use sólo la fuerza suficiente para mantener la herramienta en su lugar, evitando que la punta de la broca “baile”. Esta herramienta ha sido diseñada para alcanzar su máximo rendimiento con solamente una presión moderada. Deje que la herramienta haga el trabajo.

Si al estar perforando profundamente retire parcialmente la broca del agujero al tiempo que la herramienta todavía está funcionando para ayudar a eliminar el polvo.

**NOTA:** No aplique agua para limpiar el polvo pues atascará las estrías hechas por la broca y afectará a la misma atorándola. Si la broca se atasca, el embrague interconstruido no-ajustable evitará que la broca gire. Si esto ocurre, detenga la herramienta, libere la broca y comience de nuevo.



### Uso de brocas rotatorias de percusión cortadoras de corazón (Fig. 5-8)

Las brocas de percusión son útiles para la perforación de grandes agujeros para conductos y tuberías. Las brocas de percusión Heavy-Duty de *MILWAUKEE* tienen cuerpos de acero templado con puntas de carburo duraderas. Estas brocas están especialmente diseñadas para una perforación rápida y precisa con acción combinada de martilleo y rotación.

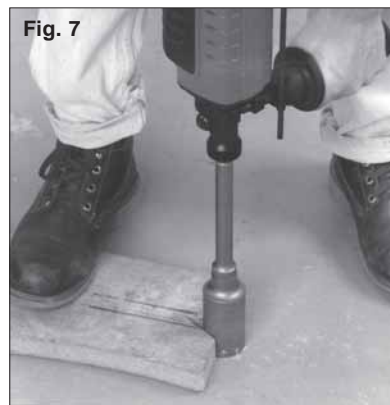
1. Limpie y lubrique los hilos de la cuerda del adaptador y de la broca de percusión para que cuando se cambie no cueste trabajo separarlos. Atornille el extremo de la cuerda del adaptador en la parte posterior de la broca de percusión.
2. Coloque el plato guía en el extremo con punta del pasador central. Inserte el pasador central y el conjunto del plato guía en la broca de percusión. Asegúrese de que el extremo de menor diámetro del pasador central está ubicado seguramente en el agujero del centro de la broca de percusión (Fig. 5).



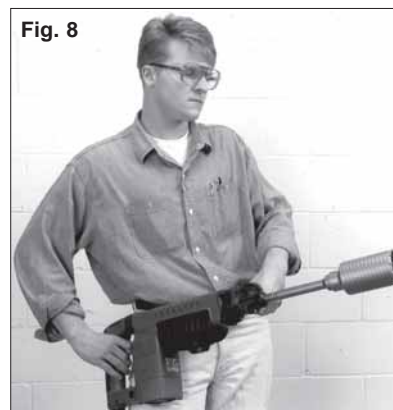
3. Inserte el adaptador en la nariz de la herramienta tal y como se describe en "Instalación de brocas". Disponga la perilla para detención de la rotación en la posición de martilleo con rotación.
4. Presione firmemente el pasador central contra la marca donde se va a perforar, sujete la herramienta firmemente y accione el gatillo (Fig. 6).



**NOTA:** Si no se dispone del pasador central ni del plato guía, utilice una plantilla o tablero de muescas para iniciar el agujero (Fig. 7).



5. Ya habiendo perforado aproximadamente a la altura de los dientes de la broca de percusión, retire el pasador central y el plato guía de la broca de percusión. Reanude la perforación.
6. Para cambiar la broca de percusión, sostenga la herramienta hacia arriba, apuntando lejos de su cuerpo tal y como se muestra, y accione brevemente el gatillo para aflojar la broca de percusión del adaptador (Fig. 8).



**NOTA:** Para hacer perforaciones de mayor profundidad, retire la broca de percusión, rompa y retire el cuerpo. Reanude la perforación.

## Uso de brocas rotatorias de percusión cortadoras de corazón LHS (Fig. 9-12)

Las brocas de percusión LHS son útiles para la perforación de agujeros grandes y largos en concreto. Las brocas de percusión Heavy-Duty de *MILWAUKEE* tienen cuerpos de acero templado con puntas de carburo duraderas. Estas brocas están especialmente diseñadas para una perforación rápida y precisa con acción combinada de martilleo y rotación.

1. Limpie y lubrique los hilos de la cuerda del adaptador y de la broca de percusión para que cuando se cambie no cueste trabajo separarlos. Atornille el extremo de la cuerda del adaptador en la parte posterior de la broca de percusión. Enrosque la espiga del adaptador en la parte posterior de la broca de percusión.

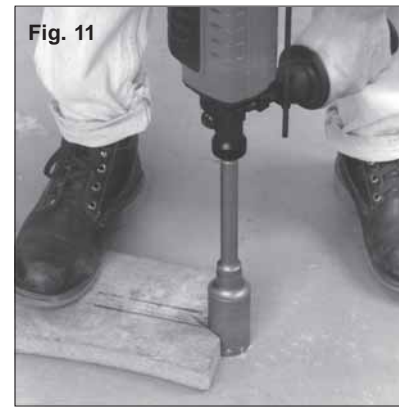
**NOTA:** Si utiliza un cordón de extensión, enrosque primero la espiga del adaptador en la extensión. Luego enrosque la broca de percusión en la extensión.



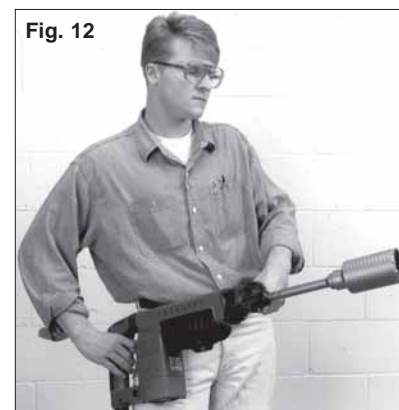
2. Inserte el adaptador en la nariz de la herramienta tal y como se describe en "Instalación de brocas". Disponga la perilla para detención de la rotación en la posición de martilleo con rotación.
3. Presione firmemente el pasador central contra la marca donde se va a perforar, sujete la herramienta firmemente y accione el gatillo (Fig. 10).



**NOTA:** Si se emplea el pasador roscado 48-20-5099, utilice una plantilla o tablero de muescas para iniciar el agujero (Fig. 11).



4. Para cambiar la broca de percusión, sostenga la herramienta hacia arriba, apuntando lejos de su cuerpo tal y como se muestra, y accione brevemente el gatillo para aflojar la broca de percusión del adaptador (Fig. 12).



**NOTA:** Para hacer perforaciones de mayor profundidad, retire la broca de percusión, rompa y retire el cuerpo. Reanude la perforación. Al perforar agujeros largos o profundos, tire de la broca parcialmente hacia afuera del agujero luego de cada pulgada de penetración mientras la herramienta aún se encuentra funcionando. Esta acción ayuda a despejar el polvo de las estrías de la broca. El polvo puede obstruir las estrías y hacer que la broca se atore en el agujero. Si esto ocurre, detenga la herramienta, libere la broca y comience nuevamente.

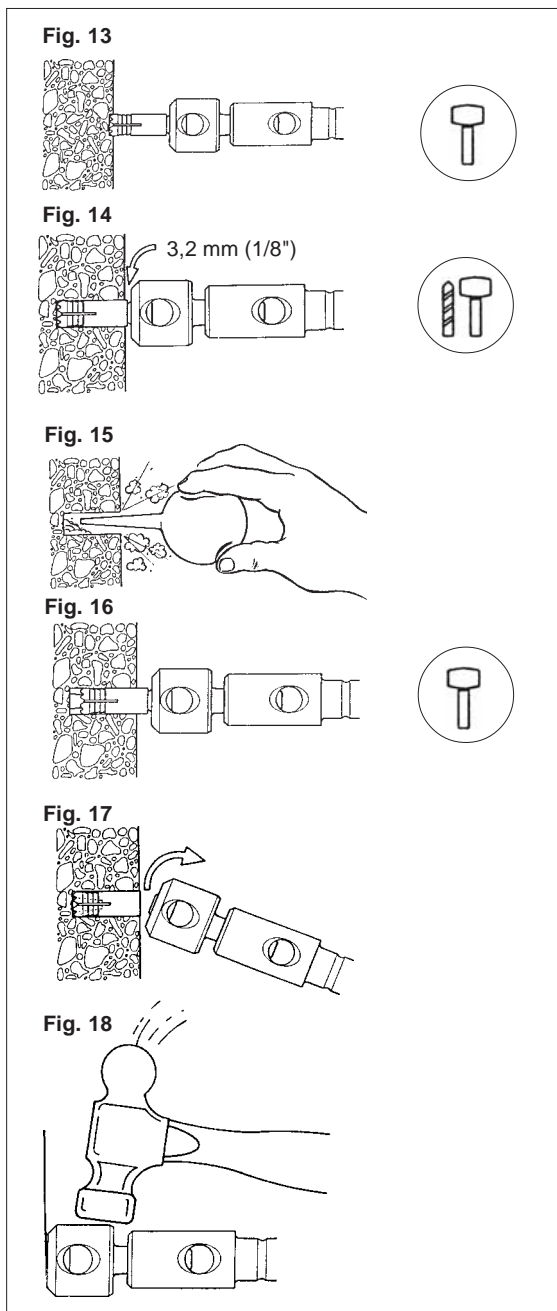


Para reducir el riesgo de sufrir una lesión o de estropear la herramienta o el trabajo:

- Utilice siempre la función de “martilleo solamente” para ajustar el anclaje. No utilice nunca la función de “martilleo con rotación” para ajustar el anclaje.
- Nunca cambie la herramienta a la posición “martilleo con rotación” hasta después de haber colocado el anclaje y haber retirado el portaherramientas del anclaje.

### Colocación de anclajes de auto-perforación (Fig. 13-18) (Cat. No. 5314-21 solamente)

El Martillos rotatorios 5314-21 cuentan con una perilla para detención de la rotación, con lo que se pueden colocar anclajes de auto-perforación de hasta 15,9 mm (5/8"). Los portaherramientas para anclajes MILWAUKEE requieren un adaptador cónico “B”.



1. Coloque el portaherramientas para anclajes de tamaño adecuado en el adaptador cónico tipo “B”. Luego coloque el adaptador “B” dentro de la herramienta y asegúrelo tal y como se describe en “Colocación de brocas y cinceles”.
2. Inserte el anclaje en el portaherramientas para anclaje. Coloque la perilla para detención de la rotación en la posición de martilleo solamente. Luego coloque el anclaje en el lugar indicado y martillee hasta que los dientes hayan penetrado en el concreto (Fig. 13).
3. Cambie la perilla para detención de la rotación a la posición de martilleo con rotación y perforo hasta que el portaherramientas este a unos 3,2 mm (1/8") por encima del concreto (Fig. 14).  
**NOTA:** Puede ser necesario limpiar varias veces el polvo y residuos del anclaje durante la operación.
4. Retire el anclaje de la perforación, con la unidad encendida. Limpie el polvo y residuos del anclaje apuntando el martillo hacia abajo, y encendiéndolo y apagándolo varias veces. Limpie el polvo de dentro de la perforación usando una aspiradora o una boca de soplado (Fig. 15).
5. Coloque el taco expandible en el interior del anclaje e inserte éste en la perforación. Cambie nuevamente la posición de la perilla para detención de rotación a martilleo solamente, y martillee firmemente el anclaje en la perforación (Fig. 16).
6. Desprenda la cabeza del anclaje. Para retirar la cabeza de anclajes de hasta 15,9 mm (5/8"), agarre las empuñaduras firmemente y tire de la herramienta hacia usted con un esfuerzo en seco (Fig. 17) o desprenda la cabeza del anclaje con un martillo de mano, tal y como se muestra (Fig. 18). El anclaje ya está listo para recibir un perno.
7. Para retirar la cabeza del anclaje incrustada en el portaherramientas de anclaje utilice un perno extractor 48-86-0100.
8. Para retirar el portaherramientas del anclaje, retire el adaptador “B” de la nariz de la herramienta. Inserte el perno extractor, que viene con el adaptador, en la perforación lateral que tiene el adaptador “B”, y golpee firmemente hasta que se desprenda el portaherramientas.

### Cinzelado y corte

Los Martillos rotatorios de 40 mm (1-1/2") de MILWAUKEE pueden utilizarse para trabajos de corte y cinzelado.

Cuando cincele, mantenga la herramienta a un ángulo con la pieza de trabajo. Trabaje desde una esquina o cerca del borde del área de trabajo, rompiendo poco a poco, más que intentando romper un área demasiado grande.

Hay una variedad de accesorios disponibles.

	<b>Martelinas</b> Para superficies de concreto .
	<b>Cinceles para corte de mortero (Herramientas para rebordes)</b> Para la remoción de mortero viejo para plegado o calafateo.
	<b>Cinceles con punta</b> Para trabajos de demolición e inicio de perforación en losas de concreto.
	<b>Cinceles en frío</b> Para orillar, eliminar rebabas o para acanalar.
	<b>Cinceles desincrustadores</b> Para la remoción de salpicaduras de soldadura o incrustaciones, y corte de líneas rectas.
	<b>Cinzel de ranurado</b> Para acanalar o cortar entre agujeros perforados en concreto y mampostería.

## MANTENIMIENTO



Para reducir el riesgo de lesiones, desconecte siempre la herramienta antes de darle cualquier mantenimiento. Nunca desarme la herramienta ni trate de hacer modificaciones en el sistema eléctrico de la misma. Acuda siempre a un Centro de Servicio *MILWAUKEE* para TODAS las reparaciones.

### Mantenimiento de las herramientas

Adopte un programa regular de mantenimiento y mantenga su herramienta en buenas condiciones. Antes de usarla, examine las condiciones generales de la misma. Inspeccione guardas, interruptores, el cable de la herramienta y el cable de extensión. Busque tornillos sueltos o flojos, defectos de alineación y dobleces en partes móviles, así como montajes inadecuados, partes rotas y cualquier otra condición que pueda afectar una operación segura. Si detecta ruidos o vibraciones anormales, apague la herramienta de inmediato y corrija el problema antes de volver a usarla. No utilice una herramienta dañada. Colóquela una etiqueta que diga "NO DEBE USARSE" hasta que sea reparada (vea "Reparaciones").

Bajo condiciones normales, no se requiere lubricación hasta que haya que cambiar los carbones. Después de 6 meses a un año, dependiendo del uso dado, envíe su herramienta al Centro de Servicio *MILWAUKEE* más cercano para que le hagan:

- Lubricación
- Inspección y cambio de carbones
- Inspección mecánica y limpieza (engranes, flechas, baleros, carcarza, etc.)
- Inspección eléctrica (interruptor, cable, armadura, etc.)
- Probarla para asegurar una operación mecánica y eléctrica adecuada.



Para reducir el riesgo de lesiones, descarga eléctrica o daño a la herramienta, nunca la sumerja en líquidos ni permita que estos fluyan dentro de la misma.

### Limpieza

Limpie el polvo y suciedad de las ventilas. Mantenga las empuñaduras de la herramienta limpias, secas y libres de aceite y grasa. Use sólo jabón neutro y un trapo húmedo para limpiar su herramienta ya que algunas sustancias y disolventes limpiadores pueden ocasionar daños a materiales plásticos y partes aislantes. Algunos de estos incluyen: gasolina, trementina, diluyente para barniz, diluyente para pintura, disolventes limpiadores clorados, amoníaco, y detergentes caseros que contengan amoníaco.

### Reparaciones

Si su instrumento se daña, vuelva el instrumento entero al más cercano centro de reparaciones.

## ACCESORIOS



Para reducir el riesgo de lesiones, desconecte siempre su herramienta antes de colocar o retirar un accesorio. Use solo accesorios recomendados específicamente. Otros pueden ser peligrosos.

Para una lista completa de accesorios, refiérase a su catálogo *MILWAUKEE* Electric Tool o visite nuestro sitio en Internet: [www.milwaukeetool.com](http://www.milwaukeetool.com). Para obtener un catálogo, contacte su distribuidor local o uno de los centros.

## GARANTÍA LIMITADA DE CINCO AÑOS

Todas las herramientas *MILWAUKEE* se prueban antes de abandonar la fábrica y se garantiza que no presentan defectos ni en el material ni de mano de obra. En el plazo de cinco (5) años a partir de la fecha de compra *MILWAUKEE* reparará o reemplazará (a discreción de *MILWAUKEE*), sin cargo alguno, cualquier herramienta (cargadores de baterías inclusive) cuyo examen determine que presenta defectos de material o de mano de obra. Devuelva la herramienta, con gastos de envío prepagados y asegurada, y una copia de la factura de compra, u otro tipo de comprobante de compra, a una sucursal de reparaciones/ventas de la fábrica *MILWAUKEE* o a un centro de reparaciones autorizado por *MILWAUKEE*. Esta garantía no cubre los daños ocasionados por reparaciones o intentos de reparación por parte de personal no autorizado por *MILWAUKEE*, abuso, desgaste y deterioro normal, falta de mantenimiento o accidentes.

Las baterías, linternas y radios tienen una garantía de un (1) año a partir de la fecha de compra.

LOS DERECHOS A REPARACIÓN Y REEMPLAZO DESCRITOS EN EL PRESENTE DOCUMENTO SON EXCLUSIVOS. *MILWAUKEE* NO SERÁ EN NINGÚN CASO RESPONSABLE DE DAÑOS INCIDENTALES, ESPECIALES O CONSECUENTES, INCLUYENDO LA PÉRDIDA DE GANANCIAS.

ESTA GARANTÍA ES EXCLUSIVA Y SUSTITUYE A TODA OTRA GARANTÍA, O CONDICIONES, ESCRITAS U ORALES, EXPRESAS O IMPLÍCITAS DE COMERCIALIZACIÓN O IDONEIDAD PARA UN USO O FIN DETERMINADO.

Esta garantía le proporciona derechos legales específicos. Es posible que usted tenga otros derechos que varían de estado a estado y de provincia a provincia. En aquellos estados que no permiten la exclusión de garantías implícitas o la limitación de daños incidentales o consecuentes, las limitaciones anteriores pueden que no apliquen. Esta garantía es válida solamente en los Estados Unidos, Canadá y México.

## UNITED STATES

### MILWAUKEE Service

MILWAUKEE prides itself in producing a premium quality product that is **NOTHING BUT HEAVY DUTY®**.

Your satisfaction with our products is very important to us!

If you encounter any problems with the operation of this tool, or you would like to locate the *factory* Service/Sales Support Branch or *authorized service station* nearest you, please call...

# 1-800-SAWDUST

(1.800.729.3878)

NATIONWIDE TOLL FREE

Monday-Friday • 8:00 AM - 4:30 PM • Central Time  
or visit our website at

**[www.milwaukeetool.com](http://www.milwaukeetool.com)**

For service information, use the 'Service Center Search' icon found in the 'Parts & Service' section.

Additionally, we have a nationwide network of *authorized* Distributors ready to assist you with your tool and accessory needs. Check your "Yellow Pages" phone directory under "Tools-Electric" for the names & addresses of those nearest you or see the 'Where To Buy' section of our website.

Corporate After Sales Service - Technical Support  
Brookfield, Wisconsin USA

•Technical Questions •Service/Repair Questions •Warranty

**1-800-SAWDUST**

(1.800.729.3878)

fax:1.800.638.9582

**email: [metproductsupport@milwaukeetool.com](mailto:metproductsupport@milwaukeetool.com)**

Monday-Friday • 8:00 AM - 4:30 PM • Central Time

## CANADA

### Service MILWAUKEE

MILWAUKEE est fier de proposer un produit de première qualité **NOTHING BUT HEAVY DUTY®**. Votre satisfaction est ce qui compte le plus!

En cas de problèmes d'utilisation de l'outil ou pour localiser le centre de service/ventes ou le *centre d'entretien* le plus proche, appelez le...

# 416.439.4181

fax: 416.439.6210

**Milwaukee Electric Tool (Canada) Ltd**

755 Progress Avenue

Scarborough, Ontario M1H 2W7

Notre réseau national de distributeurs *agrés* se tient à votre disposition pour fournir l'aide technique, l'outillage et les accessoires nécessaires. Composez le 416.439.4181 pour obtenir les noms et adresses des revendeurs les plus proches ou bien consultez la section «Où acheter» sur notre site web à l'adresse

**[www.milwaukeetool.com](http://www.milwaukeetool.com)**

## MEXICO

### Soporte de Servicio MILWAUKEE

**Milwaukee Electric Tool, S.A. de C.V.**

Bvd. Abraham Lincoln no. 13

Colonia Los Reyes Zona Industrial

Tlalnepantla, Edo. México C.P. 54073

Tel. (55) 5565-1414 Fax: (55) 5565-6874

Adicionalmente, tenemos una red nacional de distribuidores autorizados listos para ayudarle con su herramienta y sus accesorios. Por favor, llame al (55) 5565-1414 para obtener los nombres y direcciones de los más cercanos a usted, o consulte la sección 'Where to buy' (Dónde comprar) de nuestro sitio web en

**[www.milwaukeetool.com](http://www.milwaukeetool.com)**

## MILWAUKEE ELECTRIC TOOL CORPORATION

13135 West Lisbon Road • Brookfield, Wisconsin, U.S.A. 53005



## Free Manuals Download Website

<http://myh66.com>

<http://usermanuals.us>

<http://www.somanuals.com>

<http://www.4manuals.cc>

<http://www.manual-lib.com>

<http://www.404manual.com>

<http://www.luxmanual.com>

<http://aubethermostatmanual.com>

Golf course search by state

<http://golfingnear.com>

Email search by domain

<http://emailbydomain.com>

Auto manuals search

<http://auto.somanuals.com>

TV manuals search

<http://tv.somanuals.com>