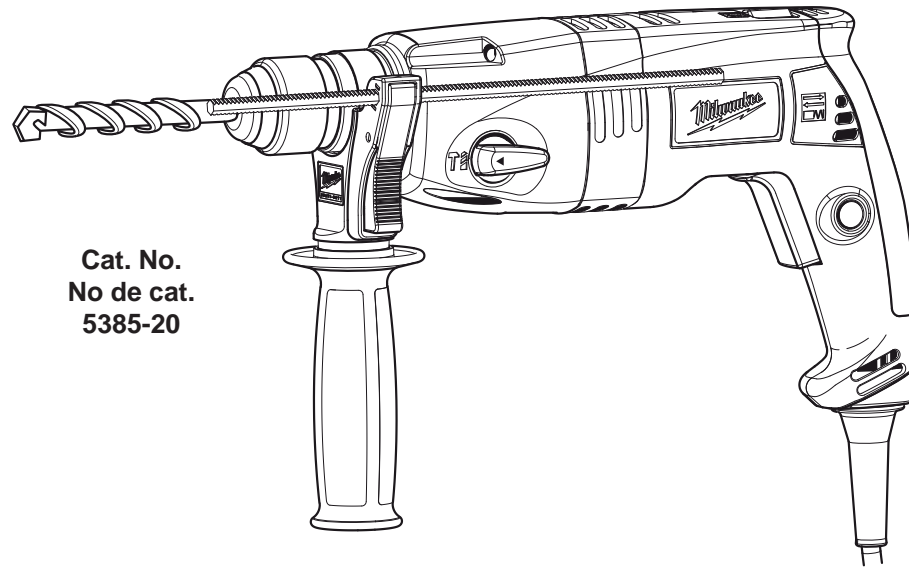




OPERATOR'S MANUAL
MANUEL de L'UTILISATEUR
MANUAL del OPERADOR



Cat. No.
No de cat.
5385-20

24 mm SDS ROTARY HAMMER
MARTEAU ROTATIF 24 mm
24 mm ROTOMARTILLOS

TO REDUCE THE RISK OF INJURY, USER MUST READ AND UNDERSTAND OPERATOR'S MANUAL.

AFIN DE RÉDUIRE LE RISQUE DE BLESSURES, L'UTILISATEUR DOIT LIRE ET BIEN COMPRENDRE LE MANUEL DE L'UTILISATEUR.

PARA REDUCIR EL RIESGO DE LESIONES, EL USUARIO DEBE LEER Y ENTENDER EL MANUAL DEL OPERADOR.

GENERAL POWER TOOL SAFETY WARNINGS



WARNING READ ALL SAFETY WARNINGS AND INSTRUCTIONS.

Failure to follow the warnings and instructions may result in electric shock, fire and/or serious injury. **Save all warnings and instructions for future reference**
The term "power tool" in the warnings refers to your mains-operated (corded) power tool or battery-operated (cordless) power tool.

WORK AREA SAFETY

- **Keep work area clean and well lit.** Cluttered or dark areas invite accidents.
- **Do not operate power tools in explosive atmospheres, such as in the presence of flammable liquids, gases or dust.** Power tools create sparks which may ignite the dust or fumes.
- **Keep children and bystanders away while operating a power tool.** Distractions can cause you to lose control.

ELECTRICAL SAFETY

- **Power tool plugs must match the outlet. Never modify the plug in any way. Do not use any adapter plugs with earthed (grounded) power tools.** Unmodified plugs and matching outlets will reduce risk of electric shock.
- **Avoid body contact with earthed or grounded surfaces such as pipes, radiators, ranges and refrigerators.** There is an increased risk of electric shock if your body is earthed or grounded.
- **Do not expose power tools to rain or wet conditions.** Water entering a power tool will increase the risk of electric shock.
- **Do not abuse the cord. Never use the cord for carrying, pulling or unplugging the power tool. Keep cord away from heat, oil, sharp edges or moving parts.** Damaged or entangled cords increase the risk of electric shock.
- **When operating a power tool outdoors, use an extension cord suitable for outdoor use.** Use of a cord suitable for outdoor use reduces the risk of electric shock.
- **If operating a power tool in a damp location is unavoidable, use a residual current device (RCD) protected supply.** Use of an RCD reduces the risk of electric shock.

PERSONAL SAFETY

- **Stay alert, watch what you are doing and use common sense when operating a power tool. Do not use a power tool while you are tired or under the influence of drugs, alcohol or medication.** A moment of inattention while operating power tools may result in serious personal injury.
- **Use personal protective equipment. Always wear eye protection.** Protective equipment such as dust mask, non-skid safety shoes, hard hat, or hearing protection used for appropriate conditions will reduce personal injuries.
- **Prevent unintentional starting. Ensure the switch is in the off-position before connecting**

to power source and/or battery pack, picking up or carrying the tool. Carrying power tools with your finger on the switch or energising power tools that have the switch on invites accidents.

- **Remove any adjusting key or wrench before turning the power tool on.** A wrench or a key left attached to a rotating part of the power tool may result in personal injury.
- **Do not overreach. Keep proper footing and balance at all times.** This enables better control of the power tool in unexpected situations.
- **Dress properly. Do not wear loose clothing or jewellery. Keep your hair, clothing and gloves away from moving parts.** Loose clothes, jewellery or long hair can be caught in moving parts.
- **If devices are provided for the connection of dust extraction and collection facilities, ensure these are connected and properly used.** Use of dust collection can reduce dust-related hazards.

POWER TOOL USE AND CARE

- **Do not force the power tool. Use the correct power tool for your application.** The correct power tool will do the job better and safer at the rate for which it was designed.
- **Do not use the power tool if the switch does not turn it on and off.** Any power tool that cannot be controlled with the switch is dangerous and must be repaired.
- **Disconnect the plug from the power source and/or the battery pack from the power tool before making any adjustments, changing accessories, or storing power tools.** Such preventive safety measures reduce the risk of starting the power tool accidentally.
- **Store idle power tools out of the reach of children and do not allow persons unfamiliar with the power tool or these instructions to operate the power tool.** Power tools are dangerous in the hands of untrained users.
- **Maintain power tools. Check for misalignment or binding of moving parts, breakage of parts and any other condition that may affect the power tool's operation. If damaged, have the power tool repaired before use.** Many accidents are caused by poorly maintained power tools.
- **Keep cutting tools sharp and clean.** Properly maintained cutting tools with sharp cutting edges are less likely to bind and are easier to control.
- **Use the power tool, accessories and tool bits etc., in accordance with these instructions, taking into account the working conditions**

and the work to be performed. Use of the power tool for operations different from those intended could result in a hazardous situation.

SERVICE

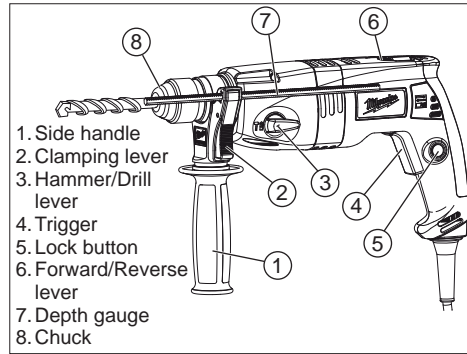
- Have your power tool serviced by a qualified repair person using only identical replacement parts. This will ensure that the safety of the power tool is maintained.

SPECIFIC SAFETY RULES

- **Wear ear protectors.** Exposure to noise can cause hearing loss.
- **Use auxiliary handle(s), if supplied with the tool.** Loss of control can cause personal injury.
- **Hold power tools by insulated gripping surfaces, when performing an operation where the cutting tool may contact hidden wiring or its own cord.** Cutting accessory contacting a "live" wire may make exposed metal parts of the power tool "live" and could give the operator an electric shock.
- **Keep hands away from all cutting edges and moving parts.**
- **Maintain labels and nameplates.** These carry important information. If unreadable or missing, contact a MILWAUKEE service facility for a free replacement.
- **WARNING:** Some dust created by power sanding, sawing, grinding, drilling, and other construction activities contains chemicals known to cause cancer, birth defects or other reproductive harm.

- Some examples of these chemicals are:
- lead from lead-based paint
 - crystalline silica from bricks and cement and other masonry products, and
 - arsenic and chromium from chemically-treated lumber.
- Your risk from these exposures varies, depending on how often you do this type of work. To reduce your exposure to these chemicals: work in a well ventilated area, and work with approved safety equipment, such as those dust masks that are specially designed to filter out microscopic particles.

Functional Description



GROUNDING

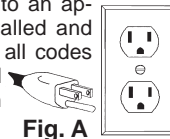
WARNING Improperly connecting the grounding wire can result in the risk of electric shock. Check with a qualified electrician if you are in doubt as to whether the outlet is properly grounded. Do not modify the plug provided with the tool. Never remove the grounding prong from the plug. Do not use the tool if the cord or plug is damaged. If damaged, have it repaired by a MILWAUKEE service facility before use. If the plug will not fit the outlet, have a proper outlet installed by a qualified electrician.

Grounded Tools: Tools with Three Prong Plugs

Tools marked "Grounding Required" have a three wire cord and three prong grounding plug. The plug must be connected to a properly grounded outlet (See Figure A). If the tool should electrically malfunction or break down, grounding provides a low resistance path to carry electricity away from the user, reducing the risk of electric shock.

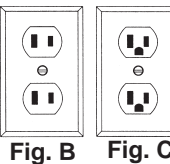
The grounding prong in the plug is connected through the green wire inside the cord to the grounding system in the tool. The green wire in the cord must be the only wire connected to the tool's grounding system and must never be attached to an electrically "live" terminal.

Your tool must be plugged into an appropriate outlet, properly installed and grounded in accordance with all codes and ordinances. The plug and outlet should look like those in Figure A.



Double Insulated Tools: Tools with Two Prong Plugs

Tools marked "Double Insulated" do not require grounding. They have a special double insulation system which satisfies OSHA requirements and complies with the applicable standards of Underwriters Laboratories, Inc., the Canadian Standard Association and the National Electrical Code. Double Insulated tools may be used in either of the 120 volt outlets shown in Figures B and C.



SPECIFICATIONS

| Cat. No. | Tool | | | | | Capacities | | |
|----------|----------|-----|-----|----------|------------------|------------------------|-------------------------|--|
| | Volts AC | A | W | RPM | Blows per Minute | Twist Drill Bit (Wood) | Twist Drill Bit (Steel) | Carbide Tipped Percussion Bit (concrete) |
| 5385-20 | 120 | 6.4 | 725 | 0 - 1290 | 3700 | 30 mm | 13 mm | 24 mm |

EXTENSION CORDS

Grounded tools require a three wire extension cord. Double insulated tools can use either a two or three wire extension cord. As the distance from the supply outlet increases, you must use a heavier gauge extension cord. Using extension cords with inadequately sized wire causes a serious drop in voltage, resulting in loss of power and possible tool damage. Refer to the table shown to determine the required minimum wire size.

The smaller the gauge number of the wire, the greater the capacity of the cord. For example, a 14 gauge cord can carry a higher current than a 16 gauge cord. When using more than one extension cord to make up the total length, be sure each cord contains at least the minimum wire size required. If you are using one extension cord for more than one tool, add the nameplate amperes and use the sum to determine the required minimum wire size.

Guidelines for Using Extension Cords

- If you are using an extension cord outdoors, be sure it is marked with the suffix "W-A" ("W" in Canada) to indicate that it is acceptable for outdoor use.
- Be sure your extension cord is properly wired and in good electrical condition. Always replace a damaged extension cord or have it repaired by a qualified person before using it.
- Protect your extension cords from sharp objects, excessive heat and damp or wet areas.

Recommended Minimum Wire Gauge for Extension Cords*

| Nameplate Amperes | Extension Cord Length | | | | |
|-------------------|-----------------------|-----|-----|------|------|
| | 25' | 50' | 75' | 100' | 150' |
| 0 - 2.0 | 18 | 18 | 18 | 18 | 16 |
| 2.1 - 3.4 | 18 | 18 | 18 | 16 | 14 |
| 3.5 - 5.0 | 18 | 18 | 16 | 14 | 12 |
| 5.1 - 7.0 | 18 | 16 | 14 | 12 | 12 |
| 7.1 - 12.0 | 16 | 14 | 12 | 10 | |
| 12.1 - 16.0 | 14 | 12 | 10 | | |
| 16.1 - 20.0 | 12 | 10 | | | |

* Based on limiting the line voltage drop to five volts at 150% of the rated amperes.

READ AND SAVE ALL INSTRUCTIONS FOR FUTURE USE.

SYMBOLGY

| | |
|----------------------------|--------------------------------------|
| | Double Insulated |
| | Volts Alternating Current |
| | Amps |
| $n_0 \text{ XXXXmin}^{-1}$ | No Load Revolutions per Minute (RPM) |
| | Mexican Approvals Marking |
| | Read operator's manual |
| | Wear hearing protection |
| | Wear eye protection |

ASSEMBLY

WARNING To reduce the risk of injury, always unplug tool before attaching or removing accessories or making adjustments. Use only specifically recommended accessories. Others may be hazardous.

WARNING To reduce the risk of injury, always use a side handle when using this tool. Always brace or hold securely.

Adjusting the Side Handle Position

1. Loosen the side handle by unscrewing the side handle grip until the side handle rotates freely.
2. Rotate the side handle to the desired position.
3. Tighten the side handle grip securely.

Setting the Depth Gauge

1. Press in the clamping lever.
2. Slide the depth gauge rod backward or forward until it is set for the desired depth.

NOTE: The drilling depth is the distance between the tip of the bit and the tip of the rod.

3. Release the clamping lever.

WARNING To reduce the risk of injury, do not grasp the bit while the chuck is rotating or while the bit is falling from the chuck.

Installing Drill Bits and Chisels



NOTE: Only use accessories with SDS or SDS Plus shanks.

Be sure that the shank of the bit is clean. Dirt particles may cause the bit to line up improperly. Do not use bits larger than the maximum recommended capacity of the drill because gear damage or motor overloading may result. For best performance,

OPERATION

WARNING To reduce the risk of injury, always unplug tool before attaching or removing accessories or making adjustments. Use only specifically recommended accessories. Others may be hazardous.

WARNING To reduce the risk of injury, wear safety goggles or glasses with side shields.

WARNING To reduce the risk of injury, keep hands and cord away from the bit and all moving parts.

Selecting Action

MILWAUKEE Hammer-Drills have two settings: drilling and hammer-drilling.

1. For **drilling**, turn the hammer-drill lever towards the drill symbol
2. For **hammer-drilling**, turn the hammer-drill lever towards the hammer symbol

NOTE: To engage the hammering mechanism, maintain pressure on the bit. When pressure on the bit is released, the hammering action will stop.

Using Forward/Reverse Lever

The forward/reverse lever can only be adjusted when the trigger is not pressed. Always allow the motor to come to a complete stop before using the forward/reverse lever.

1. For **forward** (clockwise) rotation, push the control switch to the left side of the tool . Check the direction of rotation before use.

be sure that the bit is properly sharpened and the shank is lightly greased before use.

1. Insert the bit or chisel into the nose of the tool.
2. Rotate bit slowly until it aligns with the locking mechanism.
3. Push bit into tool until it locks.
4. Check that the bit is locked properly; it should be possible to pull the bit back and forth slightly (about 1/4").
5. To remove bits and chisels, pull bit holder release collar toward the rear of tool and remove bit.

NOTE: Use caution when handling hot bits and chisels.

2. For **reverse** (counterclockwise) rotation, push the control switch to the right side of the tool . Check direction of rotation before use.

NOTE: When hammer-drilling, use the tool in forward rotation (clockwise) only.

Starting, Stopping and Controlling Speed

1. To **start** the tool, grasp the handle firmly and pull the trigger.
2. To **vary** the speed, increase or decrease the pressure on the trigger. The further the trigger is pulled, the greater the speed.
3. To **stop** the tool, release the trigger. Make sure the tool comes to a complete stop before laying the tool down.

Locking Trigger

The lock button holds the trigger in the ON position for continuous full speed use.

1. To **lock** the trigger, hold in the lock button while pulling the trigger. Release the trigger.
2. To **unlock** the trigger, pull the trigger and release. The lock button will pop out.

Operating

Position the tool, grasp the handles firmly and pull the trigger. Always hold the tool securely using both handles to maintain control. This tool has been designed to achieve top performance with only moderate pressure. Let the tool do the work.

If the speed begins to drop off when drilling large or deep holes, pull the bit partially out of the hole while the tool is running to help clear dust. Do not use water to settle the dust since it will clog the bit flutes and tend to make the bit bind in the hole. If the bit should bind, a built-in, non-adjustable slip clutch prevents the bit from turning. If this occurs, stop the tool, free the bit and begin again.

APPLICATIONS

Drilling in Wood, Composition Materials and Plastic

When drilling in wood, composition materials and plastic, select the drill operating mode. Start the drill slowly, gradually increasing speed as you drill. Select low speeds for plastics with a low melting point.

Drilling in Metal

When drilling in metal, select the drill operating mode. Use high speed steel twist drills or hole saws. Use a center punch to start the hole. Lubricate drill bits with cutting oil when drilling in iron or steel. Use a coolant when drilling in nonferrous metals such as copper, brass or aluminum. Back the material to prevent binding and distortion on breakthrough.

Drilling in Masonry

When drilling in masonry, select the rotary hammer operating mode. Use high speed carbide-tipped bits. Drilling soft masonry materials such as cinder block requires little pressure. Hard materials like concrete require more pressure. A smooth, even flow of dust indicates the proper drilling rate. Do not let the bit spin in the hole without cutting. Do not use water to settle dust or to cool bit. Do not attempt to drill through steel reinforcing rods. Both actions will damage the carbide.

ACCESSORIES

WARNING To reduce the risk of injury, always unplug the tool before attaching or removing accessories. Use only specifically recommended accessories. Others may be hazardous.

For a complete listing of accessories refer to your *MILWAUKEE* Electric Tool catalog or go on-line to www.milwaukeetool.com. To obtain a catalog, contact your local distributor or a service center.

MAINTENANCE

WARNING To reduce the risk of injury, always unplug your tool before performing any maintenance. Never disassemble the tool or try to do any rewiring on the tool's electrical system. Contact a *MILWAUKEE* service facility for ALL repairs.

Maintaining Tools

Keep your tool in good repair by adopting a regular maintenance program. Before use, examine the general condition of your tool. Inspect guards, switches, tool cord set and extension cord for damage. Check for loose screws, misalignment, binding of moving parts, improper mounting, broken parts and any other condition that may affect its safe operation. If abnormal noise or vibration occurs, turn the tool off immediately and have the problem corrected before further use. Do not use a damaged tool. Tag damaged tools "DO NOT USE" until repaired (see "Repairs").

Under normal conditions, relubrication is not necessary until the motor brushes need to be replaced. After six months to one year, depending on use, return your tool to the nearest *MILWAUKEE* service facility for the following:

- Lubrication
- Brush inspection and replacement
- Mechanical inspection and cleaning (gears, spindles, bearings, housing, etc.)
- Electrical inspection (switch, cord, armature, etc.)
- Testing to assure proper mechanical and electrical operation

WARNING To reduce the risk of injury, electric shock and damage to the tool, never immerse your tool in liquid or allow a liquid to flow inside the tool.

Cleaning

Clean dust and debris from vents. Keep the tool handles clean, dry and free of oil or grease. Use only mild soap and a damp cloth to clean your tool since certain cleaning agents and solvents are harmful to plastics and other insulated parts. Some of these include: gasoline, turpentine, lacquer thinner, paint thinner, chlorinated cleaning solvents, ammonia and household detergents containing ammonia. Never use flammable or combustible solvents around tools.

Repairs

If your tool is damaged, return the entire tool to the nearest service center.

LIMITED WARRANTY - USA AND CANADA

Every MILWAUKEE power tool (including cordless product – tool, battery pack(s) & battery charger and Work Light – cordless flashlight) is warranted to the original purchaser only to be free from defects in material and workmanship. Subject to certain exceptions, MILWAUKEE will repair or replace any part on an electric power tool which, after examination, is determined by MILWAUKEE to be defective in material or workmanship for a period of five (5) years* after the date of purchase. Return of the power tool and a copy of proof of purchase to a MILWAUKEE factory Service Center location or MILWAUKEE Authorized Service Station, freight prepaid and insured, are required for this warranty to be effective. This warranty does not apply to damage that MILWAUKEE determines to be from repairs made or attempted by anyone other than MILWAUKEE authorized personnel, misuse, alterations, abuse, normal wear and tear, lack of maintenance, or accidents.

*Every MILWAUKEE V™-technology (V18™ & V28™) LITHIUM-ION Battery Pack and M18 XC LITHIUM-ION Battery Pack is warranted for five (5) years / 2000 charges from the date of purchase, whichever first occurs. The first 1000 charges or 2 years of the warranty, whichever first occurs, are covered through free replacement of the defective battery. This means that for the earlier of the first 1000 charges or two (2) years from the date of purchase/first charge, a replacement battery will be provided to the customer for any defective battery free of charge. Thereafter, the remaining charges up to a total of 2000 or the remainder of the five (5) year period from the date of purchase, whichever first occurs, will be covered on a pro rata basis. This means that every customer gets an additional 1000 charges or three (3) years of pro rata warranty on the V™-technology LITHIUM-ION Battery Pack and M18 XC LITHIUM-ION Battery Pack depending upon the amount of use.

*The warranty period for ALL other LITHIUM-ION Battery Packs is two (2) years from the date of purchase.

*The warranty period for M12 2-Beam Laser & M12 Power Port, Ni-CD Battery Packs, Job Site Radios, and Trade Titan™ Industrial Work Carts is one (1) year from the date of purchase.

Warranty Registration is not necessary to obtain the applicable warranty on a MILWAUKEE product. The manufacturing date of the product will be used to determine the warranty period if no proof of purchase is provided at the time warranty service is requested.

ACCEPTANCE OF THE EXCLUSIVE REPAIR AND REPLACEMENT REMEDIES DESCRIBED HEREIN IS A CONDITION OF THE CONTRACT FOR THE PURCHASE OF EVERY MILWAUKEE PRODUCT. IF YOU DO NOT AGREE TO THIS CONDITION, YOU SHOULD NOT PURCHASE THE PRODUCT. IN NO EVENT SHALL MILWAUKEE BE LIABLE FOR ANY INCIDENTAL, SPECIAL, CONSEQUENTIAL OR PUNITIVE DAMAGES, OR FOR ANY COSTS, ATTORNEY FEES, EXPENSES, LOSSES OR DELAYS ALLEGED TO BE AS A CONSEQUENCE OF ANY DAMAGE TO, FAILURE OF, OR DEFECT IN ANY PRODUCT INCLUDING, BUT NOT LIMITED TO, ANY CLAIMS FOR LOSS OF PROFITS. SOME STATES DO NOT ALLOW THE EXCLUSION OR LIMITATION OF INCIDENTAL OR CONSEQUENTIAL DAMAGES, SO THE ABOVE LIMITATION OR EXCLUSION MAY NOT APPLY TO YOU. THIS WARRANTY IS EXCLUSIVE AND IN LIEU OF ALL OTHER EXPRESS WARRANTIES, WRITTEN OR ORAL. TO THE EXTENT PERMITTED BY LAW, MILWAUKEE DISCLAIMS ANY IMPLIED WARRANTIES, INCLUDING WITHOUT LIMITATION ANY IMPLIED WARRANTY OF MERCHANTABILITY OR FITNESS FOR A PARTICULAR USE OR PURPOSE; TO THE EXTENT SUCH DISCLAIMER IS NOT PERMITTED BY LAW, SUCH IMPLIED WARRANTIES ARE LIMITED TO THE DURATION OF THE APPLICABLE EXPRESS WARRANTY AS DESCRIBED ABOVE. SOME STATES DO NOT ALLOW LIMITATIONS ON HOW LONG AN IMPLIED WARRANTY LASTS, SO THE ABOVE LIMITATION MAY NOT APPLY TO YOU, THIS WARRANTY GIVES YOU SPECIFIC LEGAL RIGHTS, AND YOU MAY ALSO HAVE OTHER RIGHTS WHICH VARY FROM STATE TO STATE.

This warranty applies to product sold in the U.S.A. and Canada only.

Please consult the 'Service Center Search' in the Parts & Service section of MILWAUKEE's website www.milwaukeetool.com or call 1.800.SAW-DUST (1.800.729.3878) to locate your nearest service facility for warranty and non-warranty service on a MILWAUKEE electric power tool.

LIMITED WARRANTY - MEXICO, CENTRAL AMERICA AND CARIBBEAN

TECHTRONIC INDUSTRIES' warranty is for 5 year since the original purchase date.

This warranty card covers any defect in material and workmanship on this Power Tool.

To make this warranty valid, present this warranty card, sealed/stamped by the distributor or store where you purchased the product, to the Authorized Service Center (ASC). Or, if this card has not been sealed/stamped, present the original proof of purchase to the ASC.

Call toll-free 1 800 832 1949 to find the nearest ASC, for service, parts, accessories or components.

Procedure to make this warranty valid

Take the product to the ASC, along with the warranty card sealed/stamped by the distributor or store where you purchased the product, and there any faulty piece or component will be replaced without cost for you. We will cover all freight costs relative with this warranty process.

Exceptions

This warranty is not valid in the following situations:

a) When the product is used in a different manners from the end-user guide or instruction manual.

b) When the conditions of use are not normal.

c) When the product was modified or repaired by people not authorized by TECHTRONIC INDUSTRIES.

Note: If cord set is damaged, it should be replaced by an Authorized Service Center to avoid electric risks.

Model: _____

Date of Purchase: _____

Distributor or Store Stamp: _____

SERVICE AND ATTENTION CENTER
Rafael Buelna No.1.
Col. Tezozomoc Mexico, Azcapotzalco D.F.
Ph. 01 800 832 1949

IMPORTED AND COMMERCIALIZED BY:
TECHTRONIC INDUSTRIES MEXICO, S.A. DE C.V.
Av. Santa Fe 481 piso 6, Col. Curz Manca.
CP 05349, Cuajimalpa, D.F.

RÈGLES DE SÉCURITÉ GÉNÉRALES RELATIVES AUX OUTILS ÉLECTRIQUES

AVERTISSEMENT LIRE TOUTES LES RÈGLES ET INSTRUCTIONS DE SÉCURITÉ.
Ne pas suivre l'ensemble des règles et instructions peut entraîner une électrocution, un incendie ou des blessures graves. **Conserver les règles et les instructions à des fins de référence ultérieure.** Le terme «outil électrique» figurant dans les avertissements ci-dessous renvoie à l'outil électrique à alimentation par le réseau (à cordon) ou par batterie (sans fil).

SÉCURITÉ DU LIEU DE TRAVAIL

- **Maintenir la zone de travail propre et bien éclairée.** Les zones encombrées ou mal éclairées sont favorables aux accidents.
- **Ne pas utiliser d'outil électrique dans une atmosphère explosive, telle qu'en en présence de liquides, de gaz ou de poussières inflammables.** Les outils électriques génèrent des étincelles qui peuvent enflammer les poussières ou les fumées.
- **Tenir les enfants et les personnes non autorisées à l'écart pendant le fonctionnement d'un outil électrique.** Un manque d'attention de l'opérateur risque de lui faire perdre le contrôle de l'outil.

SÉCURITÉ ÉLECTRIQUE

- **La fiche de l'outil électrique doit correspondre à la prise d'alimentation. Ne jamais modifier la fiche d'une manière quelconque. Ne pas utiliser d'adaptateur avec les outils électriques mis à la terre (à la masse).** Des fiches non modifiées et des prises d'alimentation assorties réduisent le risque de choc électrique.
- **Éviter tout contact corporel avec des surfaces reliées à la masse ou à la terre telles que tuyaux, radiateurs, cuisinières et réfrigérateurs.** Un risque de choc électrique plus élevé existe si le corps est relié à la masse ou à la terre.
- **Ne pas exposer les outils électriques à la pluie ou à l'humidité.** Le risque de choc électrique augmente si de l'eau s'infiltré dans un outil électrique.
- **Prendre soin du cordon. Ne jamais utiliser le cordon pour transporter, tirer ou débrancher l'outil électrique. Tenir le cordon à l'écart de la chaleur, des huiles, des arêtes coupantes ou des pièces en mouvement.** Un cordon endommagé ou emmêlé présente un risque accru de choc électrique.
- **Se procurer un cordon d'alimentation approprié en cas d'utilisation d'un outil électrique à l'extérieur.** L'utilisation d'un cordon d'alimentation pour usage extérieur réduit le risque de choc électrique.
- **S'il est nécessaire d'utiliser l'outil électrique dans un endroit humide, installer un appareil à courant résiduel (RCD).** L'utilisation d'un RCD réduit le risque de décharge électrique.

SÉCURITÉ INDIVIDUELLE

- **Être sur ses gardes, être attentif et faire preuve de bon sens en utilisant un outil électrique. Ne pas utiliser un outil électrique en cas de fatigue ou sous l'influence de drogues, d'alcool ou de médicaments.** Un instant d'inattention lors de l'utilisation d'un outil électrique peut entraîner des blessures graves.
- **Porter l'équipement de protection requis. Toujours porter une protection oculaire.** Selon les conditions, porter aussi un masque anti-poussières, des bottes de sécurité antidérapantes, un casque protecteur ou une protection auditive afin de réduire les blessures.
- **Empêcher les démarrages accidentels. S'assurer que la gâchette est en position d'arrêt avant de brancher l'outil à une source de courant, d'insérer la batterie, de le ramasser ou de le transporter.** Le fait de transporter l'outil en gardant le doigt sur la gâchette ou de le brancher lorsque la gâchette est en position de marche favorise les accidents.
- **Retirer toute clé de réglage avant de mettre l'outil sous tension.** Une clé laissée attachée sur une pièce mobile de l'outil électrique peut entraîner des blessures.
- **Ne pas travailler à bout de bras. Bien garder un bon équilibre à tout instant.** Ceci permet de mieux préserver la maîtrise de l'outil électrique dans des situations imprévues.
- **Porter des vêtements adéquats. Ne pas porter de vêtements amples ni de bijoux. Ne pas approcher les cheveux, vêtements et gants des pièces en mouvement.** Les vêtements amples, les bijoux ou les cheveux longs risquent d'être happés par les pièces en mouvement.
- **Si des dispositifs sont prévus pour l'extraction et la récupération des poussières, vérifier qu'ils sont connectés et utilisés correctement.** L'utilisation de ces dispositifs peut réduire les risques liés aux poussières.

UTILISATION ET ENTRETIEN DE L'OUTIL ÉLECTRIQUE

- **Ne pas forcer l'outil électrique. Utiliser l'outil électrique approprié à l'application considérée.** L'outil électrique adapté au projet considéré produira de meilleurs résultats, dans des conditions de sécurité meilleures, à la vitesse pour laquelle il a été conçu.

- **Ne pas utiliser l'outil électrique si le commutateur ne le met pas sous ou hors tension.** Tout outil électrique dont le commutateur de marche-arrêt est inopérant est dangereux et doit être réparé.
- **Débrancher la fiche de la prise d'alimentation et/ou la batterie de l'outil électrique avant d'effectuer des réglages, de changer d'accessoires ou de ranger l'outil.** De telles mesures de sécurité préventive réduisent le risque de mettre l'outil en marche accidentellement.
- **Ranger les outils électriques inutilisés hors de la portée des enfants et ne pas laisser des personnes qui connaissent mal les outils électriques ou ces instructions utiliser ces outils.** Les outils électriques sont dangereux dans les mains d'utilisateurs non formés à leur usage.
- **Entretien des outils électriques. S'assurer de l'absence de tout désalignement ou de grippage des pièces mobiles, de toute rupture de pièce ou de toute autre condition qui pourrait affecter le bon fonctionnement de l'outil électrique. En cas de dommages, faire réparer l'outil avant de l'utiliser de nouveau.** Les outils électriques mal entretenus sont à la source de nombreux accidents.
- **Garder les outils de coupe affûtés et propres.** Les outils de coupe correctement entretenus et bien affûtés risquent moins de se gripper et sont plus faciles à manier.
- **Utiliser l'outil électrique, les accessoires, les grains etc. conformément à ces instructions en tenant compte des conditions de travail et de la tâche à effectuer.** L'utilisation de cet outil électrique pour effectuer une opération pour laquelle il n'est pas conçu peut occasionner une situation dangereuse.

ENTRETIEN

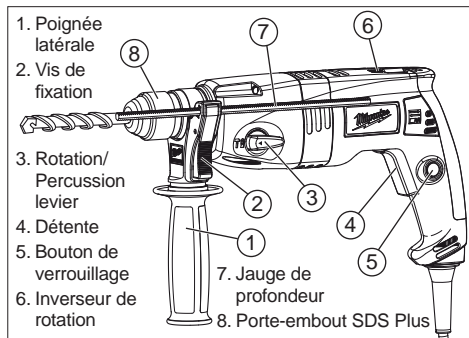
- **Faire effectuer l'entretien de l'outil électrique par un technicien qualifié qui n'utilisera que des pièces de rechange identiques.** La sécurité d'utilisation de l'outil en sera préservée.

RÈGLES DE SÉCURITÉ SPÉCIFIQUES

- **Porter des protège-oreilles.** Une exposition au bruit peut provoquer une perte auditive.
- **Utiliser les poignées auxiliaires fournis avec l'outil.** Une perte de contrôle peut provoquer des blessures.

- **Tenir l'outil par les surfaces de prise isolées si, au cours des travaux, l'outil de coupe risque d'entrer en contact avec des fils cachés ou avec son propre cordon.** Le contact avec un fil sous tension met les parties métalliques exposées de l'outil sous tension, ce qui infligera un choc électrique à l'opérateur.
- **Tenez les mains à l'écart des arêtes tranchantes et des pièces en mouvement.**
- **Entretenez les étiquettes et marques du fabricant.** Les indications qu'elles contiennent sont précieuses. Si elles deviennent illisibles ou se détachent, faites-les remplacer gratuitement à un centre de service MILWAUKEE accrédité.
- **AVERTISSEMENT :** La poussière dégagée par perçage, sciage et autres travaux de construction contient des substances chimiques reconnues comme pouvant causer le cancer, des malformations congénitales ou d'autres troubles de reproduction. Voici quelques exemples de telles substances :
 - Le plomb contenu dans la peinture au plomb.
 - Le silice cristallin contenu dans la brique, le béton et divers produits de maçonnerie.
 - L'arsenic et le chrome servant au traitement chimique du bois.
 Les risques associés à l'exposition à ces substances varient, dépendant de la fréquence des travaux. Afin de minimiser l'exposition à ces substances chimiques, assurez-vous de travailler dans un endroit bien aéré et d'utiliser de l'équipement de sécurité tel un masque anti-poussière spécifiquement conçu pour la filtration de particules microscopiques.

Description Fonctionnelle



Spécifications

| Outil | | | | | Capacités | | | |
|------------|----------|-----|-----|---------------|-------------------|--------------------|---------------------|---|
| No de Cat. | Volts CA | A | W | T/Min. à vide | Coups/Min. à vide | Forets heli (bois) | Forets heli (acier) | Forets à percussion pointe carburée (béton) |
| 5385-20 | 120 | 6,4 | 725 | 0 - 1 290 | 3 700 | 30 mm | 13 mm | 24 mm |

MISE A LA TERRE

AVERTISSEMENT Si le fil de mise à la terre est incorrectement raccordé, il peut en résulter des risques de choc électrique. Si vous n'êtes pas certain que la prise dont vous vous servez est correctement mise à la terre, faites-la vérifier par un électricien. N'altérez pas la fiche du cordon de l'outil. N'enlevez pas de la fiche, la dent qui sert à la mise à la terre. N'employez pas l'outil si le cordon ou la fiche sont en mauvais état. Si tel est le cas, faites-les réparer dans un centre-service MILWAUKEE accrédité avant de vous en servir. Si la fiche du cordon ne s'adapte pas à la prise, faites remplacer la prise par un électricien.

Outils mis à la terre : Outils pourvus d'une fiche de cordon à trois dents

Les outils marqués « Mise à la terre requise » sont pourvus d'un cordon à trois fils dont la fiche a trois dents. La fiche du cordon doit être branchée sur une prise correctement mise à la terre (voir Figure A). De cette façon, si une déféctuosité dans le circuit électrique de l'outil survient, le relais à la terre fournira un conducteur à faible résistance pour décharger le courant et protéger l'utilisateur contre les risques de choc électrique. La dent de mise à la terre de la fiche est reliée au système de mise à la terre de l'outil via le fil vert du cordon. Le fil vert du cordon doit être le seul fil raccordé à un bout au système de mise à la terre de l'outil et son autre extrémité ne doit jamais être raccordée à une borne sous tension électrique. Votre outil doit être branché sur une prise appropriée, correctement installée et mise à la terre conformément aux codes et ordonnances en vigueur. La fiche du cordon et la prise de courant doivent être semblables à celles de la Figure A.

Fig. A

Outils à double isolation : Outils pourvus d'une fiche de cordon à deux dents

Les outils marqués « Double Isolation » n'ont pas besoin d'être raccordés à la terre. Ils sont pourvus d'une double isolation conforme aux exigences de l'OSHA et satisfont aux normes de l'Underwriters Laboratories, Inc., de l'Association canadienne de normalisation (ACNOR) et du « National Electrical Code » (code national de l'électricité). Les outils à double isolation peuvent être branchés sur n'importe laquelle des prises à 120 volt illustrées ci-contre Figure B et C.

Fig. B Fig. C

CORDONS DE RALLONGE

Si l'emploi d'un cordon de rallonge est nécessaire, un cordon à trois fils doit être employé pour les outils mis à la terre. Pour les outils à double isolation, on peut employer indifféremment un cordon de rallonge à deux ou trois fils. Plus la longueur du cordon entre l'outil et la prise de courant est grande, plus le calibre du cordon doit être élevé. L'utilisation d'un cordon de rallonge incorrectement calibré entraîne une chute de voltage résultant en une perte de puissance qui risque de détériorer l'outil. Reportez-vous au tableau ci-contre pour déterminer le calibre minimum du cordon.

Moins le calibre du fil est élevé, plus sa conductivité est bonne. Par exemple, un cordon de calibre 14 a une meilleure conductivité qu'un cordon de calibre 16. Lorsque vous utilisez plus d'une rallonge pour couvrir la distance, assurez-vous que chaque cordon possède le calibre minimum requis. Si vous utilisez un seul cordon pour brancher plusieurs outils, additionnez le chiffre d'intensité (ampères) inscrit sur la fiche signalétique de chaque outil pour obtenir le calibre minimal requis pour le cordon.

Directives pour l'emploi des cordons de rallonge

- Si vous utilisez une rallonge à l'extérieur, assurez-vous qu'elle est marquée des sigles « W-A » (« W » au Canada) indiquant qu'elle est adéquate pour usage extérieur.
- Assurez-vous que le cordon de rallonge est correctement câblé et en bonne condition. Remplacez tout cordon de rallonge détérioré ou faites-le remettre en état par une personne compétente avant de vous en servir.
- Tenez votre cordon de rallonge à l'écart des objets rattachés, des sources de grande chaleur et des endroits humides ou mouillés.

Calibres minimaux recommandés pour les cordons de rallonge*

| Fiche signalétique Ampères | Longueur du cordon de rallonge (m) | | | | | |
|-------------------------------|------------------------------------|------|------|------|------|------|
| | 7,6 | 15,2 | 22,8 | 30,4 | 45,7 | 60,9 |
| 0 - 5,0 | 16 | 16 | 16 | 14 | 12 | 12 |
| 5,1 - 8,0 | 16 | 16 | 14 | 12 | 10 | -- |
| 8,1 - 12,0 | 14 | 14 | 12 | 10 | -- | -- |
| 12,1 - 15,0 | 12 | 12 | 10 | 10 | -- | -- |
| 15,1 - 20,0 | 10 | 10 | 10 | -- | -- | -- |

* Basé sur sur une chute de voltage limite de 5 volts à 150% de l'intensité moyenne de courant.

LISEZ ATTENTIVEMENT CES INSTRUCTIONS ET CONSERVEZ-LES POUR LES CONSULTER AU BESOIN.

Pictographie

| | |
|------------------------------|-------------------------------------|
| | Double Isolation |
| | Couvant alternatif |
| | Ampères |
| n_0 XXXXmin. ⁻¹ | Tours-minute à vide (RPM) |
| | Inscription mexicaine d'approbation |
| | Lire le manuel de l'utilisateur |
| | Protection d'audition d'usage |
| | Protection d'oeil d'usage |

MONTAGE DE L'OUTIL

AVERTISSEMENT Pour minimiser les risques de blessures, débranchez toujours l'outil avant d'y faire des réglages, d'y attacher ou d'en enlever les accessoires. L'usage d'accessoires autres que ceux qui sont spécifiquement recommandés pour cet outil peut comporter des risques.

AVERTISSEMENT Pour minimiser les risques de blessures corporelles, utilisez toujours la poignée latérale lorsque vous maniez l'outil. Étayez-la ou maintenez-la solidement.

Attache de poignée latérale

1. Desserrez la poignée latérale en dévissant son attache jusqu'à ce que la poignée pivote librement.
2. Faites tourner la poignée latérale à la position désirée.
3. Serrez fermement l'attache de la poignée latérale.

Réglage de la jauge de profondeur

1. Appuyez sur le levier de serrage.
2. Faites glisser vers l'arrière ou vers l'avant la tige de la jauge de profondeur jusqu'à ce qu'elle soit réglée à la profondeur désirée.

N.B. : La profondeur de perçage correspond à la distance entre l'extrémité du foret et l'extrémité de la tige de la jauge de profondeur.

3. Dégagez le levier de serrage.

AVERTISSEMENT Pour réduire les risques de blessures, n'empoignez pas la mèche pendant que le mandrin est en mouvement ou pendant que la mèche est éjectée du mandrin.

Insertion des forets et ciseaux

N.B. N'utiliser que des outils pourvus d'une tige SDS ou SDS Plus.



Assurez-vous que la tige du foret et les mâchoires du mandrin sont propres pour éviter que des saletés ne nuisent au parfait alignement du foret. Pour éviter d'endommager les engrenages et de provoquer la surchauffe du moteur, n'employez pas de forets d'un calibre supérieur aux dimensions maximales recommandées pour cet outil. Pour obtenir un redement maximal, assurez-vous que le foret est correctement aiguisé et que sa queue est légèrement graissée avant qu'il soit utilisé.

1. Introduisez le foret ou le ciseau dans la bec de l'outil.
2. Tournez la pièce lentement jusqu'à ce qu'elle s'aligne sur le mécanisme d'enclenchement.
3. Poussez la pièce dans l'outil pour qu'elle s'enclenche.
4. Vérifiez que le foret correctement verrouillé; il doit pouvoir être déplacé légèrement (environ 6 mm).
5. Pour retirer le foret ou le ciseau, tirez le collier de dégagement du porte-foret, du foret lui-même, en le déplaçant vers l'arrière de l'outil et enlevez la pièce.

N.B. Soyez prudent lorsque vous maniez des forets ou des ciseaux brûlants.

MANIEMENT

AVERTISSEMENT Pour minimiser les risques de blessures, débranchez toujours l'outil avant d'y faire des réglages, d'y attacher ou d'en enlever les accessoires. L'usage d'accessoires autres que ceux qui sont spécifiquement recommandés pour cet outil peut comporter des risques.

AVERTISSEMENT Pour minimiser les risques de blessures, portez des lunettes à coques latérales.

AVERTISSEMENT Pour minimiser les risques de blessures, gardez les mains et le cordon à distance de la mèche et des pièces en mouvement.

Choix du mode d'action

Les perceuses à percussion MILWAUKEE sont pourvues de deux réglages: rotation seulement et rotation avec percussion.

1. Pour **driller en rotation**, tournez le levier de rotation/percussion vers le symbole « foret ».
2. Pour **rotation avec percussion**, tournez le levier de rotation/percussion vers le symbole « marteau ».

N.B. Pour engager le mécanisme de percussion, exercez une pression sur le foret. Lorsque la pression sera relâchée, la percussion va cesser.

Utilisation du levier inverseur

Le levier inverseur ne peut pas être actionné en même temps que la détente. Il faut toujours laisser le moteur s'arrêter complètement avant d'actionner le levier inverseur.

1. Pour la **rotation avant**, (sens horaire) poussez le levier inverseur vers la gauche. Vérifier la direction de rotation avant utilisation.
2. Pour **inverser la rotation** (sens inverse-horaire), poussez le levier inverseur vers la droite. Vérifier la direction de rotation avant utilisation.

N.B. Pour percer avec percussion, l'outil doit être en mode de rotation avant (sens horaire).

Marche, arrêt et contrôle de la vitesse

1. Pour mettre l'outil **en marche**, saisir fermement la poignée et tirer sur la détente.
2. Pour faire **varier** la vitesse, augmenter ou réduire la pression sur la détente. La vitesse augmente en fonction de la pression exercée sur la détente.
3. Pour **arrêter** l'outil, relâcher la détente. S'assurer que la mèche s'arrête complètement avant de poser l'outil.

APPLICATIONS

Perçage dans le bois, les agglomérés et le plastique

Lorsque vous percez dans le bois, les agglomérés et le plastique, sélectionnez le mode de perçage. Commencez à driller lentement pour augmenter graduellement la vitesse. Drillez à basse vitesse dans les plastiques dont le point de fusion est peu élevé.

Perçage dans le métal

Pour percer le métal, sélectionnez le mode de perçage. Employez des forets d'acier-rapide de forme hélicoïdale ou des lames-scies du même métal. Lubrifiez le foret avec de l'huile de coupe lorsque vous drillez dans l'acier ou le fer. Pour les métaux non ferreux comme le cuivre, l'étain et l'aluminium, employez un liquide refroidisseur. Appuyez la pièce à travailler sur une pièce rigide pour éviter le grippage ou le gauchissement du foret à la phase finale du perçage.

Verrouillage de la détente

Le bouton de verrouillage placé à côté de la détente sert à maintenir la détente en position de marche « ON » pour la rotation interrompue à plein régime.

1. Pour verrouiller la détente, enfoncez le bouton de verrouillage tout en appuyant sur la détente. Relâchez la détente.
2. Pour déverrouiller la détente, enfoncez et relâchez la détente.

Maniement

Placez l'outil et empoignez-le solidement puis appuyez sur la détente. N'exercez que la pression nécessaire à maintenir l'outil en place et empêcher la pointe du foret de "patiner" sur la surface. Cet outil a été conçu de façon à fournir le meilleur rendement à pression modérée.

Si, au cours du perçage d'un trou profond, la vitesse de rotation commence à diminuer, retirez partiellement le foret pendant qu'il tourne pour que les débris de forage soient éjectés. N'utilisez pas d'eau pour abattre la poussière pour éviter de bloquer les cannelures du foret et d'en occasionner le grippage. S'il arrive que le foret reste coincé, le dispositif à couple élevé d'accouplement à glissement non réglable intégré au mécanisme de l'outil arrêtera automatiquement la rotation du foret. En tel cas, relâchez la détente, dégagez le foret et recommencez à percer.

Forage dans la maçonnerie

Pour driller dans la maçonnerie, placez le collet sélecteur à la position de rotation avec percussion marquée « Rotary Hammer ». Utilisez un foret de haute vitesse à pointe carburée. Pour driller dans la maçonnerie molle comme les blocs de cendre, par exemple, n'appliquez qu'une légère pression sur l'outil. Pour les matériaux plus durs comme le béton, appliquez plus de pression sur l'outil. Le perçage s'effectue correctement lorsqu'une fine poussière s'échappe du trou. Ne laissez pas le foret tourner librement dans le trou. N'essayez pas de percer à travers l'acier à béton armé. N'employez pas d'eau pour abattre la poussière ou refroidir le foret, car l'eau peut endommager la pointe carburée du foret.

MAINTENANCE

AVERTISSEMENT Pour minimiser les risques de blessures, débranchez toujours l'outil avant d'y effectuer des travaux de maintenance. Ne faites pas vous-même le démontage de l'outil ni le rebobinage du système électrique. Consultez un centre de service MILWAUKEE accrédité pour toutes les réparations.

Entretien de l'outil

Gardez l'outil en bon état en adoptant un programme d'entretien ponctuel. Avant de vous en servir, examinez son état en général. Inspectez-en la garde, interrupteur, cordon et cordon de rallonge pour en déceler les défauts. Vérifiez le serrage des vis, l'alignement et le jeu des pièces mobiles, les vices de montage, bris de pièces et toute autre condition pouvant en rendre le fonctionnement dangereux. Si un bruit ou une vibration insolite survient, arrêtez immédiatement l'outil et faites-le vérifier avant de vous en servir de nouveau. N'utilisez pas un outil défectueux. Fixez-y une étiquette marquée « HORS D'USAGE » jusqu'à ce qu'il soit réparé (voir « Réparations »).

Normalement, il ne sera pas nécessaire de lubrifier l'outil avant que le temps ne soit venu de remplacer les balais. Après une période pouvant aller de 6 mois à un an, selon l'usage, retournez votre outil à un centre de service MILWAUKEE accrédité pour obtenir les services suivants:

- Lubrification
- Inspection et remplacement des balais
- Inspection et nettoyage de la mécanique (engrenages, pivots, coussinets, boîtier etc.)
- Inspection électrique (interrupteur, cordon, induit etc)
- Vérification du fonctionnement électromécanique

AVERTISSEMENT Pour minimiser les risques de blessures, choc électrique et dommage à l'outil, n'immergez jamais l'outil et ne laissez pas de liquide s'y infiltrer.

Nettoyage

Débarrassez les événements des débris et de la poussière. Gardez les poignées de l'outil propres, à sec et exemptes d'huile ou de graisse. Le nettoyage de l'outil doit se faire avec un linge humide et un savon doux. Certains nettoyants tels l'essence, la térébenthine, les diluants à laque ou à peinture, les solvants chlorés, l'ammoniaque et les détergents d'usage domestique qui en contiennent pourraient détériorer le plastique et l'isolation des pièces. Ne laissez jamais de solvants inflammables ou combustibles auprès des outils.

Réparations

Si votre outil est endommagé, retourne l'outil entier au centre de maintenance le plus proche.

ACCESOIRES

AVERTISSEMENT Débranchez toujours l'outil avant de changer ou d'enlever les accessoires. L'utilisation d'autres accessoires que ceux qui sont spécifiquement recommandés pour cet outil peut comporter des risques.

Pour une liste complète des accessoires, prière de se reporter au catalogue MILWAUKEE Electric Tool ou visiter le site internet www.milwaukeetool.com. Pour obtenir un catalogue, il suffit de contacter votre distributeur local ou l'un des centres-service énumérés sur la page de couverture de ce manuel.

GARANTIE LIMITÉE - AUX ÉTATS-UNIS ET AU CANADA

Chaque outil électrique MILWAUKEE (y compris les produits sans fil [outils, batteries, chargeurs de batterie, et les lampes de travail-lampes de poche sans fil]) est garanti à l'acheteur d'origine être exempt de vice du matériau et de fabrication. Sous réserve de certaines exceptions, MILWAUKEE réparera ou remplacera toute pièce d'un outil électrique qui, après examen par MILWAUKEE, s'est avérée être affectée d'un vice du matériau ou de fabrication pendant une période de cinq (5) ans* après la date d'achat. Retourner l'outil électrique, accompagné d'une copie de la preuve d'achat, à un centre de réparations en usine MILWAUKEE ou à un poste d'entretien agréé MILWAUKEE, en port prépayé et assuré. Cette garantie ne couvre pas les dommages que MILWAUKEE détermine être causés par des réparations ou des tentatives de réparation par quiconque autre que le personnel agréé par MILWAUKEE, des utilisations incorrectes, des altérations, des utilisations abusives, une usure normale, une carence d'entretien ou les accidents.

*Toutes les batteries MILWAUKEE V™ (V18™ & V28™) au LITHIUM-ION et M18 XC au LITHIUM-ION sont garanties pendant cinq (5) ans ou pour 2 000 charges, selon la première échéance. La garantie couvre les 1 000 premières charges ou les deux premières années de la garantie, selon la première échéance. Cela signifie que pour les 1 000 premières charges, ou pendant les deux premières années de la garantie à partir de la date d'achat ou de la première charge, une batterie de rechange sera remise tout à fait gratuitement à l'utilisateur si la batterie d'origine est défectueuse. Par la suite, la garantie couvrira les charges restantes, jusqu'à concurrence de 2 000, ou les années restantes de la période de garantie de cinq (5) ans à partir de la date d'achat, selon la première échéance, et ce, au pro rata. Cela signifie que chaque consommateur bénéficie de 1 000 charges supplémentaires ou d'une garantie supplémentaire de proportionnalité de trois (3) ans sur les batteries avec technologie V™ au LITHIUM-ION et M18 XC au LITHIUM-ION, selon la durée de l'utilisation.

*La période de la garantie applicable à TOUTES les batteries autres au LITHIUM-ION est d'une durée de deux (2) ans à partir de la date d'achat. * La période de garantie applicable pour le laser à deux faisceaux M12 et le port d'alimentation M12, les batteries au nickel-cadmium, les radios de chantier et les chariots de travail industriels Trade Titan™ est d'une durée d'un (1) an à partir de la date d'achat.

L'enregistrement de la garantie n'est pas nécessaire pour bénéficier de la garantie en vigueur sur un produit MILWAUKEE. La date de fabrication du produit servira à établir la période de garantie si aucune preuve d'achat n'est fournie lorsqu'une demande de service sous garantie est faite.

L'ACCEPTATION DES RECOURS EXCLUSIFS DE RÉPARATION ET DE REMPLACEMENT DÉCRITS AUX PRÉSENTES EST UNE CONDITION DU CONTRAT D'ACHAT DE TOUT PRODUIT MILWAUKEE. SI VOUS N'ACCEPTÉZ PAS CETTE CONDITION, VOUS NE DEVEZ PAS ACHETER LE PRODUIT. EN AUCUN CAS MILWAUKEE NE SAURAIT ÊTRE RESPONSABLE DE TOUT DOMMAGE ACCESSOIRE, SPÉCIAL OU INDIRECT, DE DOMMAGES-INTÉRÊTS PUNITIFS OU DE TOUTE DÉPENSE, D'HONORAIRES D'AVOCATS, DE FRAIS, DE PERTE OU DE DÉLAIS ACCESSOIRES À TOUT DOMMAGE, DÉFAILLANCE OU DÉFAUT DE TOUT PRODUIT, Y COMPRIS NOTAMMENT LES PERTES DE PROFIT. CERTAINS ÉTATS ET PROVINCES NE PERMETTANT PAS L'EXCLUSION OU LA LIMITATION DES DOMMAGES DIRECTS OU INDIRECTS, LES RESTRICTIONS CI-DESSUS PEUVENT NE PAS ÊTRE APPLICABLES. CETTE GARANTIE EST EXCLUSIVE ET REMPLACE TOUTE AUTRE GARANTIE EXPRESSE, QU'ELLE SOIT VERBALE OU ÉCRITE. DANS LA MESURE PERMISE PAR LA LOI, MILWAUKEE RENONCE À TOUTE GARANTIE IMPLICITE Y COMPRIS, SANS S'Y LIMITER, TOUTE GARANTIE IMPLICITE DE QUALITÉ MARCHANDE OU D'ADAPTATION À UNE UTILISATION OU À UNE FIN PARTICULIÈRE. DANS LA MESURE OÙ UNE TELLE STIPULATION D'EXONÉRATION N'EST PAS PERMISE PAR LA LOI, LA DURÉE DE CES GARANTIES IMPLICITES EST LIMITÉE À LA PÉRIODE APPLICABLE DE LA GARANTIE EXPRESSE, TEL QUE CELA EST DÉCRIT PRÉCÉDEMMENT. CERTAINS ÉTATS ET PROVINCES NE PERMETTANT PAS DE LIMITATION DE DURÉE DES GARANTIES IMPLICITES, LES RESTRICTIONS CI-DESSUS PEUVENT NE PAS ÊTRE APPLICABLES. LA PRÉSENTE CONFÈRE À L'UTILISATEUR DES DROITS LÉGAUX PARTICULIERS; IL BÉNÉFICIE ÉGALEMENT D'AUTRES DROITS QUI VARIENT D'UN ÉTAT À L'AUTRE.

Cette garantie s'applique aux produits vendus aux États-Unis et au Canada uniquement. Veuillez consulter la rubrique Centre SAV MILWAUKEE, dans la section Pièces & Service du site Web de MILWAUKEE, à l'adresse www.milwaukeetool.fr, ou composer le 1-800-SAWDUST (1-800-729-3878) afin de trouver le centre de service de votre région le plus près pour l'entretien, sous garantie ou non, de votre outil électrique MILWAUKEE.

GARANTIE LIMITÉE – MEXIQUE, AMÉRIQUE CENTRALE ET CARAÏBES

TECHTRONIC INDUSTRIES' garantit le produit pendant cinq ans à partir de la date d'achat d'origine. Le présent bon de garantie couvre tous les vices de matériau et de fabrication que peut afficher cet outil électrique. Pour assurer la validité de la présente garantie, veuillez présenter le bon de commande, estampillé du sceau du distributeur ou du magasin où le produit a été acheté, au centre de réparations agréé. Si le bon de commande n'a pas été estampillé, veuillez fournir la preuve d'achat d'origine au centre de réparations agréé. Pour un entretien, des pièces, des accessoires ou d'autres composants, composer sans frais le 1-800-832-1949 afin d'obtenir les coordonnées du centre de réparations agréé le plus près.

Procédure pour assurer la validité de la garantie

Présenter le produit au centre de réparations agréé, accompagné du bon de commande estampillé du sceau du distributeur ou du magasin où le produit a été acheté. Toute pièce défectueuse ou tout composant défectueux sera remplacé sans frais. Milwaukeee assume tous les frais de transport liés à ce processus de garantie.

Exceptions

La garantie ne s'applique pas dans les situations suivantes :

- a) Si le produit a été utilisé pour une fin autre que celle indiquée dans le guide de l'utilisateur final ou le manuel d'instructions.
- b) Si les conditions d'utilisations ne sont pas habituelles.
- c) Si le produit a été modifié ou réparé par une personne non autorisée par TECHTRONIC INDUSTRIES.

Note : Si le cordon électrique est endommagé, il doit être remplacé par un centre de réparations agréé pour éviter les risques d'électrocution.

Modèle : _____
Date d'achat : _____
Sceau du distributeur ou du magasin :

CENTRE DE RÉPARATIONS ET DE SERVICE
Rafael Buelna No.1.
Col. Tezozomoc Mexico, Azcapotzalco D.F.
Ph. 01 800 832 1949

IMPORTÉ ET COMMERCIALISÉ PAR :
TECHTRONIC INDUSTRIES MEXICO, S.A. DE C.V.
Av. Santa Fe 481 piso 6, Col. Curz Manca.
CP 05349, Cuajimalpa, D.F.

ADVERTENCIAS DE SEGURIDAD GENERALES PARA LA HERRAMIENTA ELÉCTRICA

ADVERTENCIA LEA TODAS LAS ADVERTENCIAS E INSTRUCCIONES DE SEGURIDAD. Si no sigue todas las advertencias e instrucciones, se pueden provocar una descarga eléctrica, un incendio o lesiones graves.

Guarde todas las advertencias e instrucciones para consultarlas en el futuro. El término "herramienta eléctrica" en todas las advertencias incluidas más abajo se refiere a su herramienta operada por conexión (cable) a la red eléctrica o por medio de una batería (inalámbrica).

SEGURIDAD EN EL ÁREA DE TRABAJO

- Mantenga limpia y bien iluminada el área de trabajo. Las áreas desordenadas u oscuras contribuyen a que se produzcan accidentes.
- No utilice herramientas eléctricas en atmósferas explosivas, como en la presencia de líquidos, gases o polvo inflamables. Las herramientas eléctricas crean chispas que pueden incendiar el polvo o las emanaciones.
- Mantenga a los niños y otras personas alejadas mientras utiliza una herramienta eléctrica. Las distracciones pueden hacerle perder el control.

SEGURIDAD ELÉCTRICA

- Los enchufes de las herramientas eléctricas deben ser del mismo tipo que el tomacorrientes. Nunca realice ningún tipo de modificación en el enchufe. No use enchufes adaptadores con herramientas eléctricas con conexión a tierra. Se reducirá el riesgo de descarga eléctrica si no se modifican los enchufes y los tomacorrientes son del mismo tipo.
- Evite el contacto corporal con superficies con conexión a tierra, como tuberías, radiadores, estufas y refrigeradores. El riesgo de descarga eléctrica aumenta si su cuerpo está conectado a tierra.
- No exponga la herramientas eléctricas a la lluvia o a condiciones de humedad. El agua que entra en una herramienta eléctrica aumenta el riesgo de descarga eléctrica.
- No abuse del cable. Nunca use el cable para transportar la herramienta eléctrica, tirar de ella o desenchufarla. Mantenga el cable alejado del calor, los bordes afilados o las piezas en movimiento. Los cables dañados o enmarañados aumentan el riesgo de descarga eléctrica.
- Cuando se utiliza una herramienta eléctrica en el exterior, use una extensión que sea apropiada para uso en el exterior. El uso de un cable apropiado para el exterior reduce el riesgo de descarga eléctrica.
- Si debe operar una herramienta eléctrica en un lugar húmedo, utilice un suministro protegido por un dispositivo de corriente residual (RCD). Usar un RCD reduce el riesgo de que se produzcan descargas eléctricas.

SEGURIDAD PERSONAL

- Manténgase alerta, ponga cuidado a lo que está haciendo y use el sentido común cuando utilice una herramienta eléctrica. No use una herramienta eléctrica cuando está cansado o bajo la influencia de drogas, alcohol o medicamentos. Despijarse un minuto cuando se utiliza una herramienta eléctrica puede tener como resultado lesiones personales graves.
- Use un equipo de protección personal. Lleve siempre protección ocular. Llevar un equipo de protección apropiado para la situación, como una máscara antipolvo, zapatos de seguridad antideslizantes, un casco o protección auditiva, reducirá las lesiones personales.
- Evite el encendido accidental. Asegúrese de que el interruptor esté en la posición de apagado antes de conectarlo a la toma de alimentación o a la batería, al levantar o mover la herramienta. Mover herramientas con el dedo en el interruptor o enchufarlas con el interruptor en la posición de encendido contribuye a que se produzcan accidentes.
- Quite todas las llaves de ajuste antes de encender la herramienta. Una llave que esté acoplada a una pieza giratoria de la herramienta puede provocar lesiones personales.
- No se estire demasiado. Mantenga los pies bien asentados y el equilibrio en todo momento. Esto permite tener mejor control de la herramienta eléctrica en situaciones inesperadas.
- Vístase de manera apropiada. No lleve ropa suelta ni joyas. Mantenga el cabello, la ropa y los guantes lejos de las piezas en movimiento. La ropa floja, las joyas o el cabello largo pueden quedar atrapados en las piezas en movimiento.
- Si se proporcionan dispositivos para la conexión de sistemas de recolección y extracción de polvo, asegúrese de que estén conectados y se usen apropiadamente. El uso de estos dispositivos puede reducir los peligros relacionados con el polvo.

USO Y CUIDADO DE LAS HERRAMIENTAS ELÉCTRICAS

- No fuerce la herramienta eléctrica. Use la herramienta eléctrica correcta para la aplicación. La herramienta eléctrica correcta funcionará mejor y de manera más segura a la velocidad para la que se diseñó.

- No use la herramienta eléctrica si el interruptor no la enciende ni la apaga. Cualquier herramienta eléctrica que no se pueda controlar con el interruptor es peligrosa y se debe reparar.
- Desconecte el enchufe de la toma de alimentación y/o la batería de la herramienta eléctrica antes de realizar cualquier ajuste, cambiar accesorios o almacenar las herramientas eléctricas. Dichas medidas preventivas de seguridad reducen el riesgo de que la herramienta se prenda accidentalmente.
- Almacene las herramientas eléctricas fuera del alcance de los niños y no permita que personas no familiarizadas con ellas o estas instrucciones las utilicen. Las herramientas eléctricas son peligrosas en las manos de usuarios no capacitados.
- Mantenimiento de las herramientas eléctricas. Revise que no haya piezas móviles que estén desalineadas o que se atasquen, piezas rotas ni ninguna otra condición que pueda afectar el funcionamiento de la herramienta eléctrica. Si se encuentran daños, haga que le reparen la herramienta antes de usarla. Las herramientas mal mantenidas son la causa de muchos accidentes.
- Mantenga las herramientas de corte limpias y afiladas. Es menos probable que se atasquen las herramientas de corte con filos afilados que se mantienen de manera apropiada y también son más fáciles de controlar.
- Use la herramienta eléctrica, los accesorios, las brocas, etc. siguiendo estas instrucciones, teniendo en cuenta las condiciones de trabajo y la tarea que se va a realizar. El uso de la herramienta eléctrica para operaciones diferentes de aquellas para las que se diseñó podría originar una situación peligrosa.

MANTENIMIENTO

- Haga que un técnico calificado realice el mantenimiento de la herramienta eléctrica utilizando solamente piezas de repuesto idénticas. Esto asegurará que se mantiene la seguridad de la herramienta eléctrica.

REGLAS ESPECÍFICAS DE SEGURIDAD

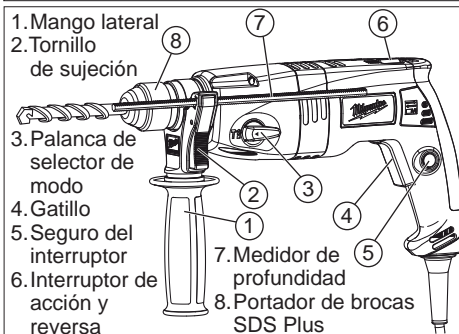
- Lleve protectores auditivos. La exposición a ruido puede producir la pérdida de la audición.
- Use los asideros auxiliares que se suministran con la herramienta. La pérdida de control puede provocar lesiones personales.
- Agarre la herramienta por los asideros aisla-

dos cuando realice una operación en la que la herramienta de corte pueda entrar en contacto con cables ocultos o con su propio cable. El contacto con un cable "con corriente" hará que las partes de metal expuesto de la herramienta pasen la corriente y produzcan una descarga al operador.

- Mantenga las manos alejadas de todos los bordes cortadores y partes en movimiento.
- Guarde las etiquetas y placas de especificaciones. Estas tienen información importante. Si son ilegibles o si no se pueden encontrar, póngase en contacto con un centro de servicio de MILWAUKEE para una refacción gratis.
- ADVERTENCIA : Algunas partículas de polvo resultantes del lijado mecánico, aserrado, esmerilado, taladrado y otras actividades relacionadas a la construcción, contienen sustancias químicas que se saben ocasionan cáncer, defectos congénitos u otros daños al aparato reproductivo. A continuación se citan algunos ejemplos de tales sustancias químicas:
 - plomo proveniente de pinturas con base de plomo
 - sílice cristalino proveniente de ladrillos, cemento y otros productos de albañilería y
 - arsénico y cromo provenientes de madera químicamente tratada.

El riesgo que usted sufre debido a la exposición varía dependiendo de la frecuencia con la que usted realiza estas tareas. Para reducir la exposición a estas sustancias químicas: trabaje en un área bien ventilada, y utilice equipo de seguridad aprobado como, por ejemplo, máscaras contra el polvo que hayan sido específicamente diseñadas para filtrar partículas microscópicas.

DESCRIPCION FUNCIONAL



Especificaciones

| Cat. No. | Herramienta | | | | | Capacidades | | |
|----------|-------------|-----|-----|-----------|-------------------|-----------------|----------------|-------------------------------|
| | Volts ca | A | W | RPM | golpes por minuto | Brocas (madera) | Brocas (acero) | Brocas con carburo (Concreto) |
| 5385-20 | 120 | 6,4 | 725 | 0 - 1 290 | 3 700 | 30 mm | 13 mm | 24 mm |

TIERRA

ADVERTENCIA Puede haber riesgo de descarga eléctrica si se conecta el cable de conexión de puesta a tierra incorrectamente. Consulte con un electricista certificado si tiene dudas respecto a la conexión de puesta a tierra del tomacorriente. No modifique el enchufe que se proporciona con la herramienta. Nunca retire la clavija de conexión de puesta a tierra del enchufe. No use la herramienta si el cable o el enchufe está dañado. Si está dañado antes de usarlo, llévelo a un centro de servicio **MILWAUKEE** para que lo reparen. Si el enchufe no se acopla al tomacorriente, haga que un electricista certificado instale un toma-corriente adecuado.

Herramientas con conexión a tierra:

Herramientas con enchufes de tres clavijas

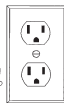
Las herramientas marcadas con la frase "Se requiere conexión de puesta a tierra" tienen un cable de tres hilos y enchufes de conexión de puesta a tierra de tres clavijas. El enchufe debe conectarse a un tomacorriente debidamente conectado a tierra (véase la Figura A). Si la herramienta se averiara o no funcionara correctamente, la conexión de puesta a tierra proporciona un trayecto de baja resistencia para desviar la corriente eléctrica de la trayectoria del usuario, reduciendo de este modo el riesgo de descarga eléctrica.

La clavija de conexión de puesta a tierra en el enchufe está conectada al sistema de conexión

de puesta a tierra de la herramienta a través del hilo verde dentro del cable. El hilo verde debe ser el único hilo conectado al sistema de conexión de puesta a tierra de la herramienta y nunca se debe unir a una terminal energizada.

Su herramienta debe estar enchufada en un tomacorriente apropiado, correctamente instalado y conectado a tierra según todos los códigos y reglamentos. El enchufe y el tomacorriente deben asemejarse a los de la Figura A.

Fig. A

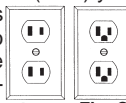


Herramientas con doble aislamiento:

Herramientas con clavijas de dos patas

Las herramientas marcadas con "Doble aislamiento" no requieren conectarse "a tierra". Estas herramientas tienen un sistema aislante que satisface los estándares de OSHA y llena los estándares aplicables de UL (Underwriters Laboratories), de la Asociación Canadiense de Estándares (CSA) y el Código Nacional de Electricidad. Las herramientas con doble aislamiento pueden ser usadas en cualquiera de los toma corriente de 120 Volt mostrados en las Figuras B y C.

Fig. B Fig. C



En los países específicos, las herramientas con doble aislamiento podrían utilizarse en las conexiones de salida adecuadas para el enchufe.



EXTENSIONES ELECTRICAS

Las herramientas que deben conectarse a tierra cuentan con clavijas de tres patas y requieren que las extensiones que se utilicen con ellas sean también de tres cables. Las herramientas con doble aislamiento y clavijas de dos patas pueden utilizarse indistintamente con extensiones de dos a tres cables. El calibre de la extensión depende de la distancia que exista entre la toma de la corriente y el sitio donde se utilice la herramienta. El uso de extensiones inadecuadas puede causar serias caídas en el voltaje, resultando en pérdida de potencia y posible daño a la herramienta. La tabla que aquí se ilustra sirve de guía para la adecuada selección de la extensión.

Mientras menor sea el número del calibre del cable, mayor será la capacidad del mismo. Por ejemplo, un cable calibre 14 puede transportar una corriente mayor que un cable calibre 16. Cuando use más de una extensión para lograr el largo deseado, asegúrese que cada una tenga al menos, el mínimo tamaño de cable requerido. Si está usando un cable de extensión para más de una herramienta, sume los amperes de las varias placas y use la suma para determinar el tamaño mínimo del cable de extensión.

LEAY GUARDE TODAS LAS INSTRUCCIONES PARA FUTURAS REFERENCIAS.

Guías para el uso de cables de extensión

- Si está usando un cable de extensión en sitios al aire libre, asegúrese que está marcado con el sufijo "W-A" ("W" en Canadá) el cual indica que puede ser usado al aire libre.
- Asegúrese que su cable de extensión está correctamente cableado y en buenas condiciones eléctricas. Cambie siempre una extensión dañada o hágala reparar por una persona calificada antes de volver a usarla.
- Proteja su extensión eléctrica de objetos cortantes, calor excesivo o áreas mojadas.

Calibre mínimo recomendado para cables de extensiones eléctricas*

| Amperios (En la placa) | Largo de cable de Extensión en (m) | | | | | |
|---------------------------|------------------------------------|------|------|------|------|------|
| | 7,6 | 15,2 | 22,8 | 30,4 | 45,7 | 60,9 |
| 0 - 5,0 | 16 | 16 | 16 | 14 | 12 | 12 |
| 5,1 - 8,0 | 16 | 16 | 14 | 12 | 10 | -- |
| 8,1 - 12,0 | 14 | 14 | 12 | 10 | -- | -- |
| 12,1 - 15,0 | 12 | 12 | 10 | 10 | -- | -- |
| 15,1 - 20,0 | 10 | 10 | 10 | -- | -- | -- |

* Basado en limitar la caída en el voltaje a 5 volts al 150% de los amperios.

Simbología

| | |
|------------------------------|---|
| | Con doble aislamiento |
| | Volts corriente alterna |
| | Amperios |
| $n_0 \text{ XXXX min.}^{-1}$ | Revoluciones por minuto sin carga (rpm) |
| | Marca mejicana de la aprobación |
| | Leer el manual del operador |
| | Utilice protección auditiva |
| | Utilice protección visual |

ENSAMBLAJE DE LA HERRAMIENTA

ADVERTENCIA Para reducir el riesgo de una lesión, desconecte siempre la herramienta antes de fijar o retirar accesorios, o antes de efectuar ajustes. Utilice sólo los accesorios específicamente recomendados. El uso de otros accesorios puede ser peligroso.

ADVERTENCIA Para reducir el riesgo de lesiones, use siempre un mango lateral al operar la herramienta. Siempre agarre o sujete la herramienta firmemente.

Agarre del mango lateral

1. Afloje el mango lateral desenroscando el agarre del mango lateral hasta que el mango lateral gire libremente.
2. Gire el mango lateral a la posición deseada.
3. Apriete el agarre del mango lateral de forma segura.

Cómo colocar el medidor de profundidad

1. Oprima la palanca de fijación.
2. Deslice el vástago del medidor de profundidad hacia atrás o hacia adelante hasta que quede ajustado en la profundidad deseada.
NOTA: La profundidad de taladrado es la distancia entre la punta de la broca y la punta del vástago del medidor de seguridad.
3. Suelte la palanca de fijación.

ADVERTENCIA Para reducir el riesgo de lesión, no tome la broca mientras el broquero está girando o cuando la broca está saliendo del broquero.

Colocación de las brocas and cinceles

NOTA: Sólo use los accesorios con una varilla de SDS o SDS Plus.



Asegúrese que tanto el zanco de la broca como las uñas del mandril están limpias. Partículas de suciedad pueden hacer que la broca quede mal alineada. No use brocas mas grandes que las de la máxima capacidad recomendada para este taladro porque se puede generar daño a los engranes o sobrecargar el motor. Para un mejor rendimiento, antes de usarlos asegúrese de que la broca se encuentre bien afilada y la varilla ligeramente lubricada.

1. Inserte la broca o el cincel en la nariz de la herramienta.
2. Gire la broca lentamente, hasta que se alinee con el mecanismo asegurador.
3. Presione la broca en la herramienta hasta que se fije.
4. Verifique que la broca se encuentre firmemente ajustada; debe poder tirarse de la broca levemente hacia atrás y hacia adelante (alrededor de 6 mm).
5. Para retirar las brocas y cinceles, tire el del collarín de liberación del portabrocas hacia la parte posterior de la herramienta y retire la broca.

NOTA: Tenga cuidado cuando maneje puntas o cinceles calientes.

OPERACION


ADVERTENCIA Para reducir el riesgo de una lesión, desconecte siempre la herramienta antes de fijar o retirar accesorios, o antes de efectuar ajustes. Utilice sólo los accesorios específicamente recomendados. El uso de otros accesorios puede ser peligroso.

ADVERTENCIA Para reducir el riesgo de una lesión, use siempre lentes de seguridad o anteojos con protectores laterales.

ADVERTENCIA Para reducir el riesgo de una lesión, mantenga las manos y el cable lejos de la broca y de cualquier otra parte en movimiento.

Cómo seleccionar la acción

El taladro de martillo de **MILWAUKEE** tiene dos posiciones: perforación y perforación con efecto de martillo.


1. Para **perforar**, gire la palanca de taladro-martillo que está cerca de este taladro .


2. Para el **martillar con efecto rotatorio**, gire la palanca de taladro-martillo de modo que esté cerca del martillo .

NOTA: Para activar el mecanismo de martillo, mantenga la presión sobre la broca. Cuando se libere la presión sobre la broca, la acción del martillo se detendrá.

Interruptor de avance y reversa

El interruptor de avance y reversa sólo se puede ajustar cuando el gatillo no está presionado. Siempre espere a que el motor esté completamente detenido antes de usar el interruptor de avance y reversa.

1. Para una rotación **positiva** (en el sentido de las manecillas de un reloj), empuje el interruptor de acción-reversa hasta la posición izquierda . Verifique la dirección del giro antes de usarlo.

2. Para acción de **reversa** (en el sentido opuesto a las manecillas de un reloj), empuje el interruptor hasta la posición derecha . Verifique la dirección del giro antes de usarlo.

NOTA: Al utilizar el taladro de percusión, hágalo con la herramienta en el modo de rotación hacia adelante (en el sentido de las manecillas del reloj) únicamente.

Encender, detener y controlar velocidades

1. Para **encender** la herramienta, agarre el mango firmemente y apriete el gatillo.

2. Para **cambiar** la velocidad, aumente o disminuya la presión sobre el gatillo. Cuanto más se apriete el gatillo, mayor será la velocidad.

3. Para **parar** la herramienta, suelte el gatillo. Asegúrese de que la broca se detiene por completo antes de soltar la herramienta.

Uso del seguro de botón

El seguro de botón, localizado junto el interruptor de gatillo, mantendrá a este en la posición de ON para un uso continuo al máximo de velocidad.

1. Para accionar el seguro de botón, presiónelo hacia adentro mientras aprieta el gatillo. Suelte el gatillo.

2. Para desactivar el seguro de botón, presione el gatillo y suéltelo. El botón de seguridad se saltará.

Operación

Coloque la unidad en posición, tome los mangos firmemente y accione el gatillo. Siempre mantenga firme la herramienta usando ambas manos y manteniendo el control. Se ha diseñado esta herramienta para proporcionar el mejor rendimiento con presión moderada. Es la herramienta que debe realizar el trabajo.

Si la velocidad empieza a disminuir cuando se perfora agujeros profundos, saque la broca par-

cialmente del agujero mientras está funcionando la herramienta para quitar el polvo. No utilice agua para hacer que el polvo se deposite ya que éste obstaculizará las ranuras de broca y hará que la broca se atore en el agujero. Si la broca se atasca, el embrague interconstruido no-ajustable se deslizará. Si esto ocurre, detenga la herramienta, libere la broca y comience de nuevo.

APLICACIONES

Cómo taladrar en madera, materiales compuestos y plásticos

Al taladrar en madera, materiales compuestos o plásticos, seleccione el modo de operación del taladro de percusión. Comience lentamente, aumentando gradualmente la velocidad, a medida que taladra. Cuando trabaje con plásticos, seleccione una velocidad baja con un punto de fusión.

Perforando en metal

Cuando taladre en metal, seleccione el modo de operación del taladro de percusión. Use brocas de acero alta velocidad o brocas sierras. Cuando taladre en metal, use una marca guía para iniciar la perforación. Lubrique las brocas con aceite cuando taladre en acero o hierro. Use un refrigerante cuando taladre metales no ferrosos como cobre, latón o aluminio. Ponga un respaldo en el material para prevenir que este se doble o distorsione al terminar el taladrado.

Cómo perforar el concreto

Cuando taladre en concreto, seleccione el modo de operación de rotomartillo. Utilice una velocidad alta y brocas con punta de carburo. Taladrar materiales suaves como bloques de hormigón de escorias, requiere de muy poca presión. Materiales duros como el concreto, requieren más presión. La forma de saber si se está perforando a un ritmo adecuado viene dada por un flujo parejo y suave de polvo. No permita que la broca gire en el agujero sin cortar. No intente perforar varillas de refuerzo de acero. Ambas acciones dañarán el carburo.

ACCESORIOS

ADVERTENCIA Para reducir el riesgo de lesiones, siempre desconecte la herramienta antes de cambiar o retirar accesorios. Utilice únicamente accesorios específicamente recomendados para esta herramienta. El uso de accesorios no recomendados podría resultar peligroso.

Para una lista completa de accesorios, refiérase a su catálogo *MILWAUKEE* Electric Tool o visite nuestro sitio en Internet: www.milwaukeetool.com. Para obtener un catálogo, contacte su distribuidor local o uno de los centros de servicio.

MANTENIMIENTO

ADVERTENCIA Para reducir el riesgo de lesiones, desconecte siempre la herramienta antes de darle cualquier mantenimiento. Nunca desarme la herramienta ni trate de hacer modificaciones en el sistema eléctrico de la misma. Acuda siempre a un Centro de Servicio *MILWAUKEE* para TODAS las reparaciones.

Mantenimiento de las herramientas

Adopte un programa regular de mantenimiento y mantenga su herramienta en buenas condiciones. Antes de usarla, examine las condiciones generales de la misma. Inspeccione guardas, interruptores, el cable de la herramienta y el cable de extensión. Busque tornillos sueltos o flojos, defectos de alineación y dobleces en partes móviles, así como montajes inadecuados, partes rotas y cualquier otra condición que pueda afectar una operación segura. Si detecta ruidos o vibraciones anormales, apague la herramienta de inmediato y corrija el problema antes de volver a usarla. No utilice una herramienta dañada. Colóquese una etiqueta que diga "NO DEBE USARSE" hasta que sea reparada (vea "Reparaciones").

Bajo condiciones normales, no se requiere lubricación hasta que haya que cambiar los carbones. Después de 6 meses a un año, dependiendo del uso dado, envíe su herramienta al Centro de Servicio *MILWAUKEE* más cercano para que le hagan:

- Lubricación
- Inspección y cambio de carbones
- Inspección mecánica y limpieza (engranes, flechas, baleros, carcarza, etc.)
- Inspección eléctrica (interruptor, cable, armadura, etc)
- Probarla para asegurar una operación mecánica y eléctrica adecuada.

ADVERTENCIA Para reducir el riesgo de lesiones, descarga eléctrica o daño a la herramienta, nunca la sumerja en líquidos ni permita que estos fluyan dentro de la misma.

Limpieza

Limpie el polvo y suciedad de las ventilas. Mantenga las empuñaduras de la herramienta limpias, secas y libres de aceite y grasa. Use sólo jabón neutro y un trapo húmedo para limpiar su herramienta ya que algunas substancias y disolventes limpiadores pueden ocasionar daños a materiales plásticos y partes aislantes. Algunos de estos incluyen: gasolina, trementina, diluyente para barniz, diluyente para pintura, disolventes limpiadores clorados, amoníaco, y detergentes caseros que contengan amoníaco.

Reparaciones

Si su instrumento se daña, vuelva el instrumento entero al más cercano centro de reparaciones.

GARANTÍA LIMITADA - E.U.A. Y CANADÁ

Se garantiza al comprador original que ninguna de las herramientas eléctricas MILWAUKEE (incluidos el producto, la herramienta, las baterías, el cargador, y las lámparas de trabajo-linternas inalámbricas) presentan defectos en material ni mano de obra. En un plazo de cinco (5) años a partir de la fecha de compra y sujeto a ciertas excepciones, MILWAUKEE reparará o reemplazará cualquier parte de una herramienta eléctrica que, luego de ser examinada, MILWAUKEE compruebe que presenta defectos en material o mano de obra. Devuelva la herramienta, con gastos de envío prepagados y asegurada, y un comprobante de compra a un centro de mantenimiento de la fábrica MILWAUKEE o a un centro de reparaciones autorizado por MILWAUKEE. Esta garantía no se aplica a los daños que MILWAUKEE establece que fueron ocasionados por reparaciones o intentos de reparación por parte de personal no autorizado por MILWAUKEE, uso indebido, alteraciones, abuso, desgaste y deterioro normal, falta de mantenimiento o accidentes.

*Todas las baterías de IONES DE LITIO con tecnología V™ (V18™ & V28™) de MILWAUKEE y las baterías de IONES DE LITIO de M18 XC cuentan con una garantía de cinco (5) años o de 2 000 cargas, lo que ocurra primero, a partir de la fecha de compra. Las primeras 1 000 cargas o 2 años de garantía, lo que ocurra primero, están cubiertos con el reemplazo gratuito de la batería defectuosa. Esto significa que tras las primeras 1 000 cargas o los primeros dos (2) años a partir de la fecha de compra/el primer cambio, se le ofrecerá una batería de repuestos al cliente por cualquier batería defectuosa sin cargo. A partir de ese momento, las cargas restantes hasta llegar a las 2 000 o el tiempo restante del período de cinco (5) años desde el momento de la compra, lo que ocurra primero, estarán cubiertos por un prorrateo. Esto significa que cada consumidor obtiene una garantía prorrateada de 1 000 cargas adicionales o tres (3) años por la batería de IONES DE LITIO con tecnología V™ y la batería de IONES DE LITIO M18 XC según el uso.

*El período de la garantía para el RESTO de las baterías de IONES DE LITIO es de dos (2) años a partir de la fecha de compra.

*El período de la garantía para el láser con dos rayos M12 y el puerto de alimentación M12, las baterías de níquel-cadmio, las radios para la obra y las carretillas de trabajo industrial Trade Titan™ es de un (1) año a partir de la fecha de compra.

No se necesita registro de garantía para obtener la garantía correspondiente de los productos MILWAUKEE. La fecha de fabricación del producto se utilizará para determinar el período de garantía si no se presenta un comprobante de compra en el momento en que se solicita el servicio de garantía.

LA ACEPTACIÓN DE LOS DERECHOS A REPARACIÓN Y REEMPLAZO EXCLUSIVAMENTE DESCRITOS EN EL PRESENTE DOCUMENTO CONSTITUYE UNA CONDICIÓN DEL CONTRATO POR LA COMPRA DE CADA PRODUCTO MILWAUKEE. SI NO ACEPTA ESTA CONDICIÓN, NO DEBE COMPRAR EL PRODUCTO. MILWAUKEE NO SERÁ EN NINGÚN CASO RESPONSABLE DE DAÑOS INCIDENTALES, ESPECIALES, CONSECUENTES O PUNITIVOS, NI DE COSTOS, HONORARIOS DE ABOGADOS, GASTOS, PÉRDIDAS O DEMORAS SUPUESTAMENTE CAUSADOS COMO CONSECUENCIA DE CUALQUIER DAÑO, FALLA O DEFECTO EN CUALQUIER PRODUCTO, INCLUIDOS, A MODO DE EJEMPLO, RECLAMOS POR PÉRDIDA DE GANANCIAS. ALGUNOS ESTADOS NO PERMITEN LA EXCLUSIÓN O LA LIMITACIÓN DE DAÑOS INCIDENTALES O CONSECUENTES. POR LO TANTO, LAS LIMITACIONES Y EXCLUSIONES ANTERIORES PUEDEN NO APLICARSE PARA USTED. ESTA GARANTÍA ES EXCLUSIVA Y SUSTITUYE A TODAS LAS OTRAS GARANTÍAS EXPRESAS, ESCRITAS U ORALES. SEGÚN LO PERMITA LA LEY, MILWAUKEE SE EXIME DE TODA GARANTÍA IMPLÍCITA, INCLUIDOS, A MODO DE EJEMPLO, TODA GARANTÍA IMPLÍCITA DE COMERCIABILIDAD O IDONEIDAD PARA UN USO O PROPÓSITO EN PARTICULAR; EN LA MEDIDA EN QUE DICHA RENUNCIAN O ESTÉ PERMITIDA POR LA LEY, DICHAS GARANTÍAS IMPLÍCITAS ESTÁN LIMITADAS A LA DURACIÓN DE LA GARANTÍA EXPRESA APLICABLE SEGÚN SE DESCRIBE ANTERIORMENTE. ALGUNOS ESTADOS NO PERMITEN LIMITACIONES EN LA DURACIÓN DE UNA GARANTÍA IMPLÍCITA. POR LO TANTO, LA LIMITACIÓN ANTERIOR PUEDE NO APLICARSE PARA USTED. ESTA GARANTÍA LE OTORGA DERECHOS LEGALES ESPECÍFICOS Y TAMBIÉN PUEDE TENER OTROS DERECHOS QUE VARIAN DE ESTADO EN ESTADO.

Esta garantía se aplica a los productos vendidos en los EE. UU. y Canadá.

Consulte el sitio web de MILWAUKEE, www.milwaukeetool.com, o llame al 1.800.SAWDUST (1.800.729.3878) para identificar el centro de servicio más cercano a fin de obtener servicio de garantía y fuera de garantía de una herramienta eléctrica de MILWAUKEE.

PÓLIZA DE GARANTÍA - VALIDA SOLO PARA MÉXICO, AMÉRICA CENTRAL Y EL CARIBE

TECHTRONIC INDUSTRIES, garantiza por 5 años este producto a partir de la fecha original de compra.

Esta garantía cubre cualquier defecto que presenten las piezas, componentes y la mano de obra contenidas en este producto. Para América Central y el Caribe se debe confirmar en el Centro de Servicio Autorizado el plazo de la garantía.

Para hacer efectiva la Garantía deberá presentar al Centro de Servicio Autorizado la Póliza de Garantía sellada por el establecimiento en donde adquirió el producto. Si no la tienen, podrá presentar el comprobante de compra original.

Usted puede llamar sin costo al teléfono 01 800 832 1949 o por correo electrónico a la dirección "servicio@ttigroupna.com", para ubicar el Centro de Servicio Autorizado más cercano a su domicilio, en el cual además podrá adquirir partes, componentes, consumibles y accesorios, que usted necesite.

Procedimiento para hacer válida la garantía

Acuda al Centro de Servicio con el producto y la póliza de garantía sellada por el establecimiento donde realizó la compra. Ahí se reemplazará cualquier pieza o componente defectuoso sin cargo alguno para el usuario final. La empresa se hace responsable de los gastos de transportación razonablemente erogados que se deriven del cumplimiento de la presente garantía.

Excepciones

La garantía perderá validez en los siguientes casos:

- Cuando el producto se hubiese utilizado en condiciones distintas a las normales.
- Cuando el producto no hubiese sido operado de acuerdo con el instructivo de uso que le acompaña.
- Cuando el producto hubiese sido alterado o reparado por personas no autorizadas por TECHTRONIC INDUSTRIES.

Nota: Si el cordón de alimentación es dañado, este debe ser reemplazado por el fabricante o por un Centro de Servicio Autorizado para evitar riesgo.

Modelo: _____

Fecha de Compra: _____

Sello del Distribuidor: _____

CENTRO DE SERVICIO Y ATENCIÓN A CLIENTES
Rafael Buelna No.1. Col. Tezozomoc Mexico, D.F.
Tel. 01 800 832 1949

IMPORTADO Y COMERCIALIZADO POR:
TECHTRONIC INDUSTRIES MEXICO, .S.A. DE C.V.
Av. Santa Fe 481 piso 6, Col. Curz Manca.
CP 05349, Cuajimalpa, D.F.

UNITED STATES - MILWAUKEE Service

MILWAUKEE prides itself in producing a premium quality product that is NOTHING BUT HEAVY DUTY®. Your satisfaction with our products is very important to us! If you encounter any problems with the operation of this tool, or you would like to locate the factory Service/Sales Support Branch or authorized service station nearest you, please call...

1-800-SAWDUST

(1.800.729.3878)

Monday-Friday
7:00 AM - 6:30 PM
Central Time

or visit our website at
www.milwaukeetool.com

For service information, use the 'Service Center Search' icon found in the 'Parts & Service' section.

Additionally, we have a nationwide network of authorized Distributors ready to assist you with your tool and accessory needs. Check your "Yellow Pages" phone directory under "Tools-Electric" for the names & addresses of those nearest you or see the 'Where To Buy' section of our website.

Contact our Corporate After Sales Service Technical Support about ...

- Technical Questions
- Service/Repair Questions
- Warranty

call: 1-800-SAWDUST

fax: 1.800.638.9582

email: metproductsupport@milwaukeetool.com

Register your tool online at www.milwaukeetool.com and...

- receive important notifications regarding your purchase
- ensure that your tool is protected under the warranty
- become a HEAVY DUTY club member

Canada - Service MILWAUKEE

MILWAUKEE est fier de proposer un produit de première qualité NOTHING BUT HEAVY DUTY®. Votre satisfaction est ce qui compte le plus!

En cas de problèmes d'utilisation de l'outil ou pour localiser le centre de service/ventes ou le centre d'entretien le plus proche, appelez le...

416.439.4181

fax: 416.439.6210

Milwaukee Electric Tool (Canada) Ltd

755 Progress Avenue
Scarborough, Ontario M1H 2W7

Notre réseau national de distributeurs agréés se tient à votre disposition pour fournir l'aide technique, l'outillage et les accessoires nécessaires. Composez le 416.439.4181 pour obtenir les noms et adresses des revendeurs les plus proches ou bien consultez la section «Où acheter» sur notre site web à l'adresse

www.milwaukeetool.com

MEXICO - Soporte de Servicio MILWAUKEE

CENTRO DE ATENCIÓN A CLIENTES
Rafael Buelna No. 1, Col Tezozomoc,
Delegación Azcapotzalco, México, D.F.
Telefono sin costo 01 800 832 1949
e-mail: servicio@ttigroupna.com

Adicionalmente, tenemos una red nacional de distribuidores autorizados listos para ayudarle con su herramienta y sus accesorios. Por favor, llame al 01 800 832 1949 para obtener los nombres y direcciones de los más cercanos a usted, o consulte la sección 'Where to buy' (Dónde comprar) de nuestro sitio web en

www.ttigroupmexico.com

Registre su herramienta en línea, en www.ttigroupmexico.com y...

- reciba importantes avisos sobre su compra
- asegúrese de que su herramienta esté protegida por la garantía
- conviértase en integrante de Heavy Duty

MILWAUKEE ELECTRIC TOOL CORPORATION

13135 West Lisbon Road • Brookfield, Wisconsin, U.S.A. 53005

58-14-5386d4

01/10

Printed in China
961075069-04(A)

Free Manuals Download Website

<http://myh66.com>

<http://usermanuals.us>

<http://www.somanuals.com>

<http://www.4manuals.cc>

<http://www.manual-lib.com>

<http://www.404manual.com>

<http://www.luxmanual.com>

<http://aubethermostatmanual.com>

Golf course search by state

<http://golfingnear.com>

Email search by domain

<http://emailbydomain.com>

Auto manuals search

<http://auto.somanuals.com>

TV manuals search

<http://tv.somanuals.com>