

WIRING INSTRUCTIONS

TITLE

D.I. ORBITAL SANDER

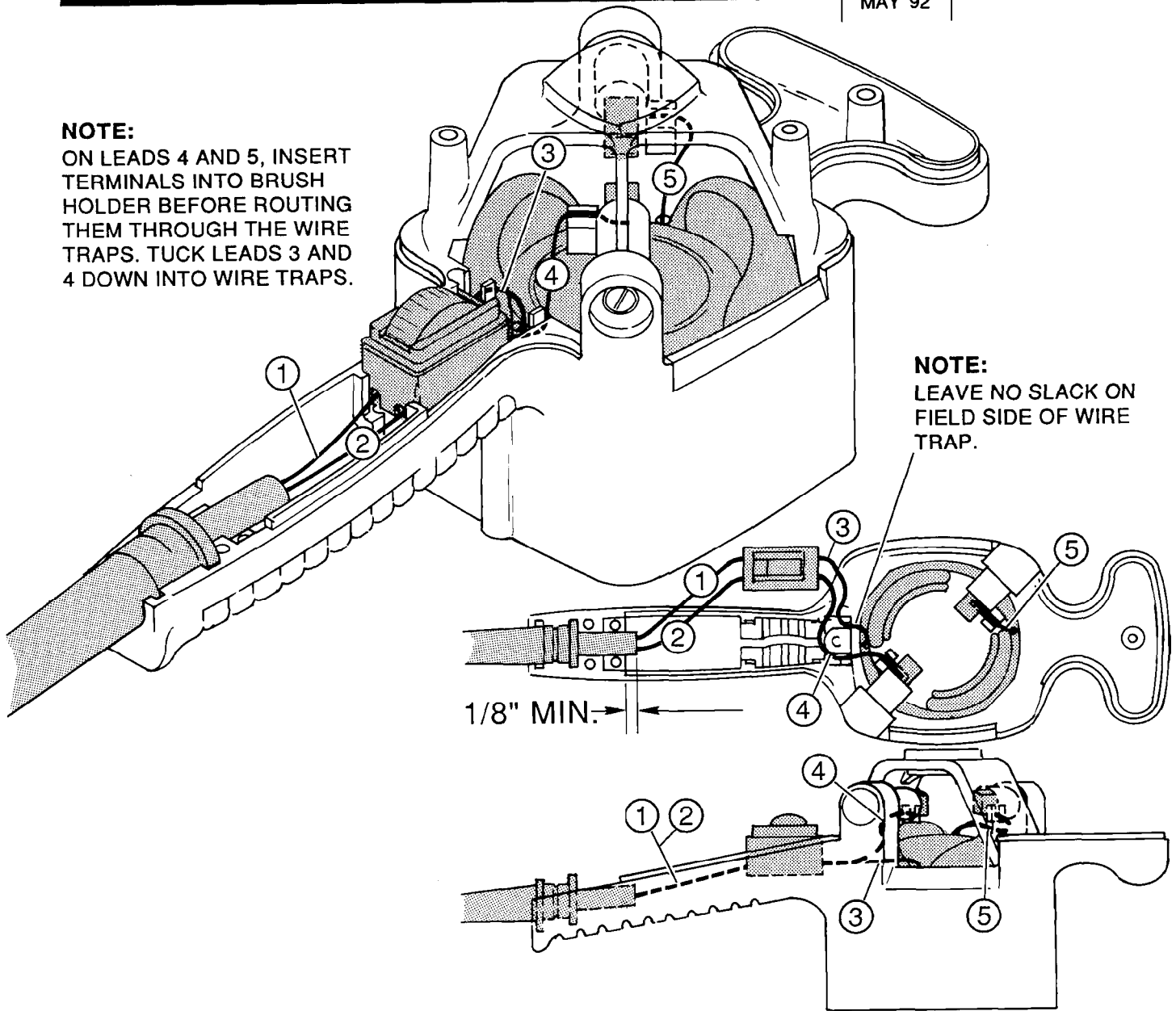
BULLETIN
58-01-1270

MILWAUKEE ELECTRIC TOOL CORP. 13135 WEST LISBON RD. BROOKFIELD, WIS.

DATE
MAY '92

NOTE:

ON LEADS 4 AND 5, INSERT TERMINALS INTO BRUSH HOLDER BEFORE ROUTING THEM THROUGH THE WIRE TRAPS. TUCK LEADS 3 AND 4 DOWN INTO WIRE TRAPS.



NOTE:
LEAVE NO SLACK ON FIELD SIDE OF WIRE TRAP.

WIRING SPECIFICATIONS

Wire No.	Wire Color	Origin or Gauge	Length	Terminals, Connectors and 1 or 2 End Wire Preparation
1	BLACK	CORD	1-7/8"	STRIP 1/4" FOR T1. CRIMP HT.=.058/.052
2	WHITE	CORD	1-7/8"	STRIP 1/4" FOR T1. CRIMP HT.=.058/.052
3	YELLOW	FIELD	2-1/8"	STRIP 1/4" FOR T1. CRIMP HT.=.058/.052
4	BLACK	18 GA.	2-3/8"	STRIP 3/16" FOR T2. CRIMP HT.=.055/.049 STRIP 1/4" FOR T1. CRIMP HT.=.058/.052
5	BLACK	FIELD	2-3/8"	STRIP 3/16" FOR T2.

NOTE:

All leads must be held to $\pm 1/8"$.
All field leads to be measured from and perpendicular to laminations.
All lead lengths are before stripping.

TERMINAL DESCRIPTION		
Code	Part No.	Qty.
T1	23-74-0155	4
T2	22-44-0090	2
CONNECTOR DESCRIPTION		

Free Manuals Download Website

<http://myh66.com>

<http://usermanuals.us>

<http://www.somanuals.com>

<http://www.4manuals.cc>

<http://www.manual-lib.com>

<http://www.404manual.com>

<http://www.luxmanual.com>

<http://aubethermostatmanual.com>

Golf course search by state

<http://golfingnear.com>

Email search by domain

<http://emailbydomain.com>

Auto manuals search

<http://auto.somanuals.com>

TV manuals search

<http://tv.somanuals.com>