

# Universal Phantom Manager

## Quick Installation Guide



### 1. What is the Phantom system?

The Phantom system from Minicom is a distributed KVM switching solution for 1 or more users. In the 1-User system a Manager controls the remote computers that are connected to Phantom Remote units. The Remote units can be either PCI cards or boxes called Specters. For multi-user functionality add a Phantom MX II.

The Phantom system supports mixed type and multi-platform computers.

In the 1-User system, shielded CAT5 FTP cables connect the Phantom Manager to the nearest Remote, and that Remote to the next one, and so on, in a daisy chain pattern. The last Remote can be up to 110m/360ft away from the Manager. See the configuration diagram on page 4 showing both Remote PCI cards and Specters in the Phantom system.

The Multi-User system connects in a loop – as explained in Phantom MX II guide.

This Quick Installation Guide illustrates the Universal Phantom Manager (UPM) and explains how to install it. For further information please see the softcopy Guide on the Marketing & Documentation CD.

### 2. Connecting a computer to the UPM

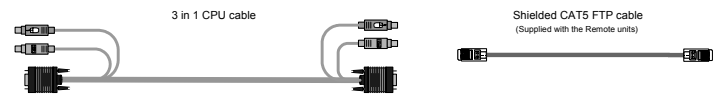
To run the Phantom system the UPM does not need to be connected to a computer.

A computer must be connected to the UPM to perform Phantom applications such as upgrading firmware or renumbering Remote units. This is discussed in detail in softcopy User Guide.

When you do connect a computer use the 3 in 1 CPU cable illustrated below.

### 3. The UPM cables

The cables below connect to the UPM.



### 4. Rack mounting

The UPM is rack mountable. To obtain a 19" bracket, order P/N 5AC00202.

www.minicom.com

#### International HQ

Jerusalem, Israel  
Tel: + 972 2 535 9666  
minicom@minicom.com

#### North American HQ

Linden, NJ, USA  
Tel: + 1 908 486 2100  
info.usa@minicom.com

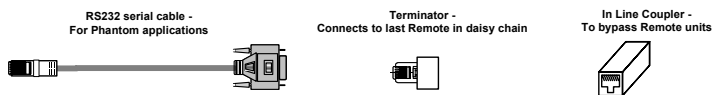
Customer support - support@minicom.com

SUM20094 V1.8 4/09

## QUICK INSTALLATION GUIDE

### 5. UPM accessories

The accessories below are explained fully in the softcopy Guide.



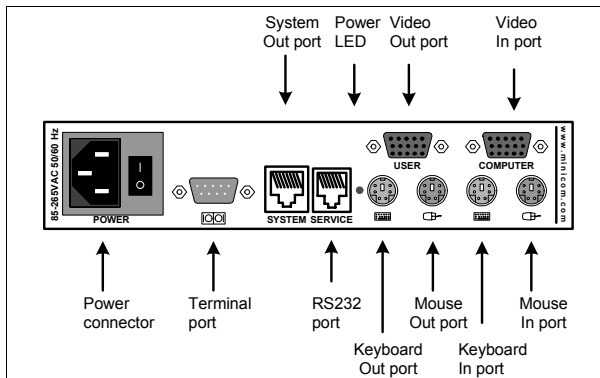
### 6. Pre-installation instructions

Disconnect all computers from the electrical power supply.

Cables should be placed away from fluorescent lights, air conditioners, and machines that are likely to generate electrical noise. **Caution:** For continued protection against risk of fire, replace with the same type and rating of fuse only.

### 7. Connecting the UPM

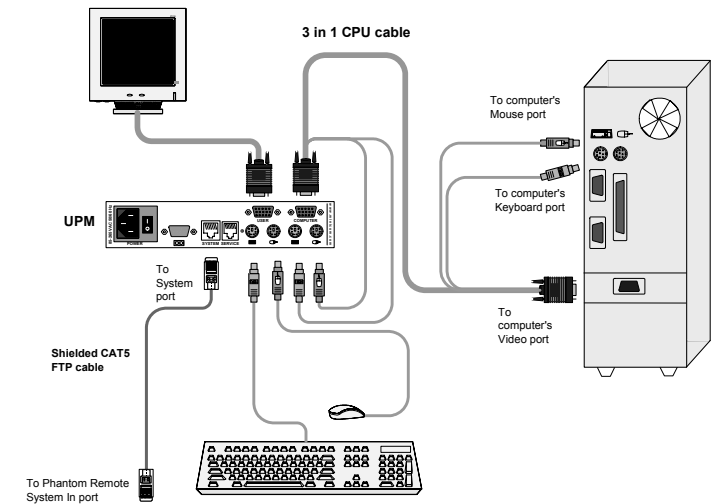
The figure below illustrates the rear of the UPM.



Connect a keyboard, monitor, mouse plus the 3 in 1 CPU cable and Power cord to the UPM and computer as illustrated in the figure below. Connect the Power cord. Only use the power cord supplied with the UPM.

**Note!** Connecting a computer and the 3 in 1 CPU cable is optional.

## UNIVERSAL PHANTOM MANAGER

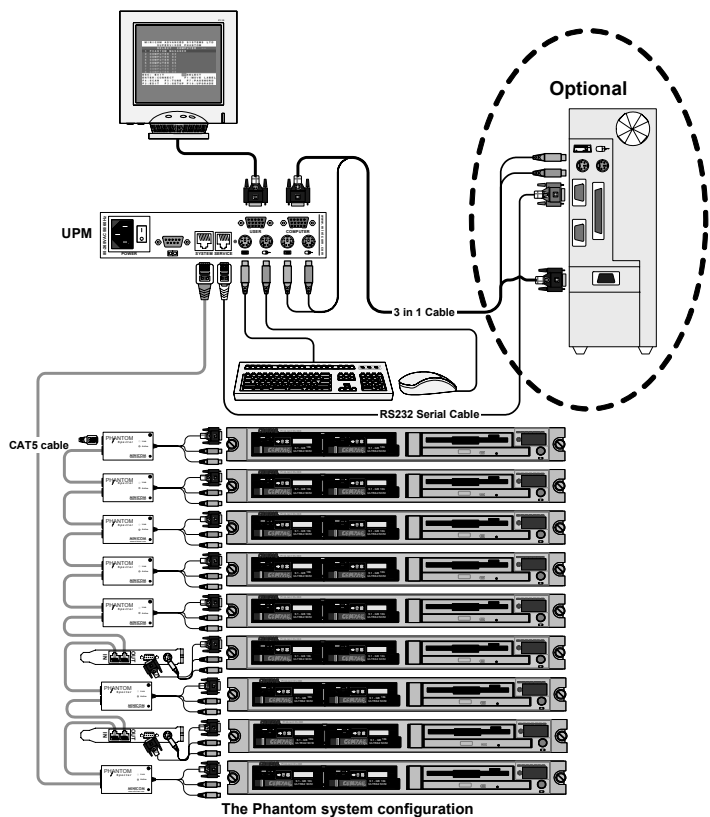


### 8. The Terminal port

When using RS232 servers in the system, you have the option of operating these servers through the computer's Terminal emulation or through an optional terminal connected to the Terminal port.

### 9. What happens next?

Install the Phantom Remotes as explained in The Phantom Remote – Quick Installation Guide. Give the Remotes ID numbers and configure keyboard settings explained in the Read This First (RTF). The Phantom system is then ready for use.



### 10. USB / SUN Combo keys

The PS/2 keyboard connected to the Phantom does not have a special SUN keypad to perform special functions in the SUN Operating System environment. So when a Specter USB or SUN is connected to a SUN computer, the Specters emulate these SUN keys using a set of key combinations called Combo keys. See the table below.

SUN key	Combo key
Stop	Left <b>Ctrl</b> + Left <b>Alt</b> + <b>F1</b>
Props	Left <b>Ctrl</b> + Left <b>Alt</b> + <b>F3</b>
Front	Left <b>Ctrl</b> + Left <b>Alt</b> + <b>F5</b>
Open	Left <b>Ctrl</b> + Left <b>Alt</b> + <b>F7</b>
Find	Left <b>Ctrl</b> + Left <b>Alt</b> + <b>F9</b>
Again	Left <b>Ctrl</b> + Left <b>Alt</b> + <b>F2</b>
Undo	Left <b>Ctrl</b> + Left <b>Alt</b> + <b>F4</b>
Copy	Left <b>Ctrl</b> + Left <b>Alt</b> + <b>F6</b>
Paste	Left <b>Ctrl</b> + Left <b>Alt</b> + <b>F8</b>
Cut	Left <b>Ctrl</b> + Left <b>Alt</b> + <b>F10</b>
Help	Left <b>Ctrl</b> + Left <b>Alt</b> + <b>F11</b>
Compose	Application key or Left <b>Ctrl</b> + Left <b>Alt</b> + Keypad <b>*</b>
Crescent	<b>Scroll Lock</b>
Volume Up	Left <b>Ctrl</b> + Left <b>Alt</b> + Keypad <b>-</b>
Volume Down	Left <b>Ctrl</b> + Left <b>Alt</b> + Keypad <b>+</b>
Mute	Left <b>Ctrl</b> + Left <b>Alt</b> + <b>F12</b>
Sun Left ◊ key	Left <b>Windows</b> key
Sun Right ◊ key	Right <b>Windows</b> key
Alt-Graph	Right <b>Alt</b> or <b>Alt Gr</b>
Stop A	Left <b>Ctrl</b> + Left <b>Alt</b> + <b>1</b>

### 11. User guide feedback

Your feedback is very important to help us improve our documentation. Please email any comments to: [ug.comments@minicom.com](mailto:ug.comments@minicom.com)

Please include the following information: Guide name, part number and version number (as appears on the front cover).

### 12. WEEE compliance

WEEE Information for Minicom Customers and Recyclers

Under the Waste Electrical and Electronic Equipment (WEEE) Directive and implementing regulations, when customers buy new electrical and electronic equipment from Minicom they are entitled to:

- Send old equipment for recycling on a one-for-one, like-for-like basis (this varies depending on the country)
- Send the new equipment back for recycling when this ultimately becomes waste

Instructions to both customers and recyclers/treatment facilities wishing to obtain disassembly information are provided in our website [www.minicom.com](http://www.minicom.com).



## Free Manuals Download Website

<http://myh66.com>

<http://usermanuals.us>

<http://www.somanuals.com>

<http://www.4manuals.cc>

<http://www.manual-lib.com>

<http://www.404manual.com>

<http://www.luxmanual.com>

<http://aubethermostatmanual.com>

Golf course search by state

<http://golfingnear.com>

Email search by domain

<http://emailbydomain.com>

Auto manuals search

<http://auto.somanuals.com>

TV manuals search

<http://tv.somanuals.com>