

X-300 [2025-100]

X-370 [2025-300]

.....For U.S.A. & Canada

TYPE OF CAMERA

Electrically controlled 35 mm focal plane shutter
SLR AE camera

Photography system : Aperture priority AE and
manual photography

Standard lens : MD50mm F1.2, MD50mm F1.4,
MD50mm F1.7, MD50mm F2

Lens mount : Minolta SLR bayonet mount

Film used : J135 rolled film

Size of image field : 24mm×36mm

SHUTTER

Electrically controlled focal plane shutter
(Traveling horizontally)

Shutter speed : Auto...4 sec. to 1/1000 sec.

Manual...1. 1/2, 1/4, 1/8, 1/15,
1/30, 1/60, 1/125, 1/250,
1/500, 1/1000 sec. and B
(bulb).

Shutter speed dial : Click stop endless dial

Shutter release : Electromagnetic release, remote
cord, wireless controller IR-1
can be mounted.

Shutter release locks in case of
battery voltage drop.
With main switch at ON.

Self timer : Electronic self-timer starts by
depressing the operating button.
Operation is indicated by camera-
front LED blink.

Shutter release notice is given.
Self-timer operation can be
canceled anytime before release.

EXPOSURE CONTROL

Light metering system : TTL center-weighted
average metering.

Detector element : 1 Silicon photocell

Auto exposure interlock range
: EV 1-18 (ASA/ISO 100 f/1.4 lens)

Film speed scale : ASA/ISO 12-3200 (locked every
1/3 step)

AE lock : Only for A mode.

: Operation by pushing self-timer
lever down.

Metering switch : By touch switch or depressing of
operating button slightly.
Memorizing of metering and
finder LED indication for 15
sec. after the switch OFF.

VIEW FINDER

Type : SLR pentaprism type

Focusing screen : Center...Split-image and micro-
prism

Periphery...Acute Matte

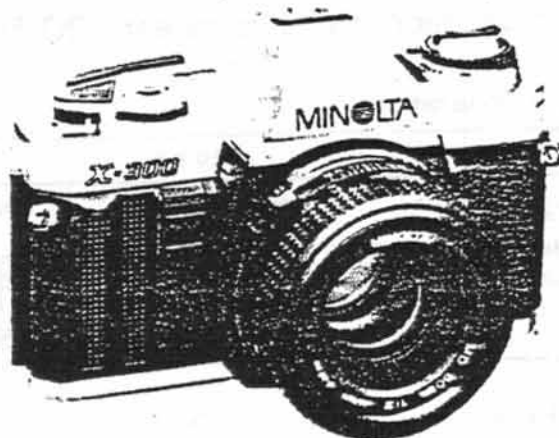
Viewfinder showing : 95% of 24mm×36mm film-
frame area

Magnification : 0.9×(using 50mm lens at ∞ set-
ting)

Dioptric power : -1 diop.

Finder indication :

- : Mode indication in use (A, M)
- : Shutter speed scale with LED
indication
- : Slow shutter speed indication for
1-4 sec (▽)
- : Over-/under- range LED indication
blinking at 4 Hz (△/▽)
- : B-setting indicator (■)



: Setting shutter speed indicator
(Shutter speed LED blinking at
4 Hz)

: Flash-ready signal (LED next to
"60" blinking at 2 Hz)

: Battery check (by mode indication:
Indicator ON when batteries are
serviceable; blinking when near
exhaustion; no LEDs light when
exhausted)

Mirror : Slide-up quick return

FLASH SYNC

Sync speed : X contact, electroflash is synch-
ronized at speeds slower than 1/60
sec; flash bulb is at speeds slower
than 1/15 sec.

Hot shoe : Direct contact, sync auto control
contact

FILM WINDING, REWINDING

Film winding : By lever. Winding at an angle of
130° (preliminary angle: 30°)

: Auto winding by Motor Drive I or
Auto Winder

: With Safe Load Signal

Film counter : Auto resetting calculation. With
Safe Load Signal

Film rewinding : By rewind button and crank
system; auto reset of rewind
button.

BACK COVER

Opening/Closing by pulling up knob, snapping back
the cover.

With grip, memo holder (ISO, DIN, ASA table)

POWER

Two 1.5 V alkaline-manganese (LR44: Eveready A-76
or equiv.) or two 1.55 V silver-oxide (SR44: Eveready
G-13 or equiv.)

OTHERS

Battery holder and Eyepiece cap

SIZE AND WEIGHT

51.5×90×137 mm (2×3-9/19×5-3/8 in.)
470 g (16-9/16 oz.) without power cells

ACCESSORIES

Flash : Auto Electroflash 320X, 200X, 132X,
118X

Winder : Motor Drive I, Auto Winder G

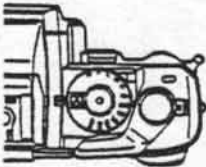
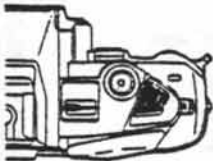


Remote control : Wireless Controller IR-1 set
Remote Cord S/L

Others : Interchangeable Minolta lenses
and applicable Minolta SLR system
accessories.

Comparison table between 2024 and 2025

(only differences are described)

I. Appearance

Item	2024	2025	Note
<ul style="list-style-type: none"> • Top cover • Mode/shutter speed selector • Film-advance lever 			<ul style="list-style-type: none"> • For 2025, only silver model is available. • Discontinuity of Auto lock mech. of mode/shutter speed selector.
Back grip	Yes	No	
Bottom cover	Same shape		Marking: JAPAN or MARAYSIA
Bayonet lens mount	SUS	BS (Cr. plating)	
Main switch			<ul style="list-style-type: none"> • ON-OFF changeover • No audible piezoelectric warning mark

II. Function

Item	2024	2025	Note
Direct autoflash metering	Yes	No	<ul style="list-style-type: none"> • Discontinuity of direct autoflash metering contact. • Flash fires manually with PX series (360PX can be used as sensor auto). • No flash-distance checker in viewfinder. • Discontinuity of slow-shutter sync function.
Sync terminal	Yes	No	• No electric shock prevention.
Preview button	Yes	No	
Audible piezoelectric warning	Yes	No	<ul style="list-style-type: none"> • No slow-shutter-speed warning. • No self-timer audible beeps.
F-number indication in viewfinder	Yes	No	
Connection with Multi-Function Back	Yes	No	<ul style="list-style-type: none"> • Back cover: fixed type (not detachable) • Discontinuity of contact terminals.

REPAIR

■ The contents of this manual are mainly related to the adjustment procedures for the 2025.

Except for Exposure adjustment, Installation of external parts, see 2024 Service Manual.

"Page" column provide with ※ shows related page of 2024 Service Manual Repair Guide

	Page	※ Page
■ Assembly and adjustment procedures		
① Body assembly 1 (spool, sprocket, winding base plate A).....	1	
■ Sprocket gear positioning method	2	
② Body assembly 2 (winding shaft)	3	
■ Winding gear positioning method	4	
■ Reversion stop lever stop timing adjustment	4	
③ Body assembly 3 (winding base plate B)	5	
■ Overrun eccentric pin adjustment	6	
■ Check of winding mechanism.....	7 ~ 8	
④ Front base plate block assembly 1 (shutter, mirror box, magnet base plate)	9	
■ Check of magnet attraction	12	
⑤ Front base plate block assembly 2 (finder block, bayonet mount, front cover, etc.)	13	
⑥ Front base plate block assembly (mounting front base plate block onto body)	14	
■ Shutter gear position adjustment.....	15	
■ Shutter charge adjustment	16	
⑦ Flexible P.C board installation	17	
■ Body back adjustment	19	
■ Finder back adjustment	20	
■ Exposure adjustment		
① ASA inclination adjustment	3	
② A/D conversion reference voltage adjustment.....	3	
③ Manual SS adjustment	4	
④ A-auto level adjustment	5	
■ Check of LED indication	5	
■ Check and adjustment of release lock voltage and LED blink voltage	6	
■ Check of limits at high and low shutter speeds	6	
■ Installation of external parts	7	
■ Shutter block assembly procedure.....	31	
■ Shutter block adjustment	8	
■ Mirror box assembly procedure	37	
■ Measuring instruments	41	
■ Focusing plate replacement procedure	42	

■ Adjustment and checks to be made

	Page	* Page
① Body, winding unit		
■ Sprocket gear positioning	2	
■ Winding gear positioning	4	
■ Film counter operation gear positioning	5	
■ Reversion stop lever stop timing adjustment	4	
■ Overrun eccentric pin adjustment	6	
■ Sprocket claw position check	7	
■ Reversion stop lever timing check	7	
■ Winding operation lever timing check	8	
② Shutter operation		
■ Shutter gear position adjustment	15	
■ Shutter charge adjustment	16	
■ Shutter curtain position check	33, 34	
■ Mirror magnet attraction check	12	
■ Release lock voltage check	28	
■ Synchro X time lag	8	
③ Shutter speed		
■ Curtain speed adjustment	4, 8	
■ Manual SS adjustment	4, 8	
④ Auto exposure		
■ ASA inclination adjustment	3	
■ A/D conversion reference voltage adjustment	3	
■ A-auto level adjustment	5	
■ Check of release magnet attraction	12	
■ Check of limits at high and low shutter speeds	6	
⑤ LED		
■ Check of LED indication	5	
■ Check of LED blink voltage	6	
⑥ Viewfinder, focusing		
■ Body back adjustment	19	
■ Finder back adjustment	20	
■ Mirror angle adjustment	39, 40	

■ Precautions

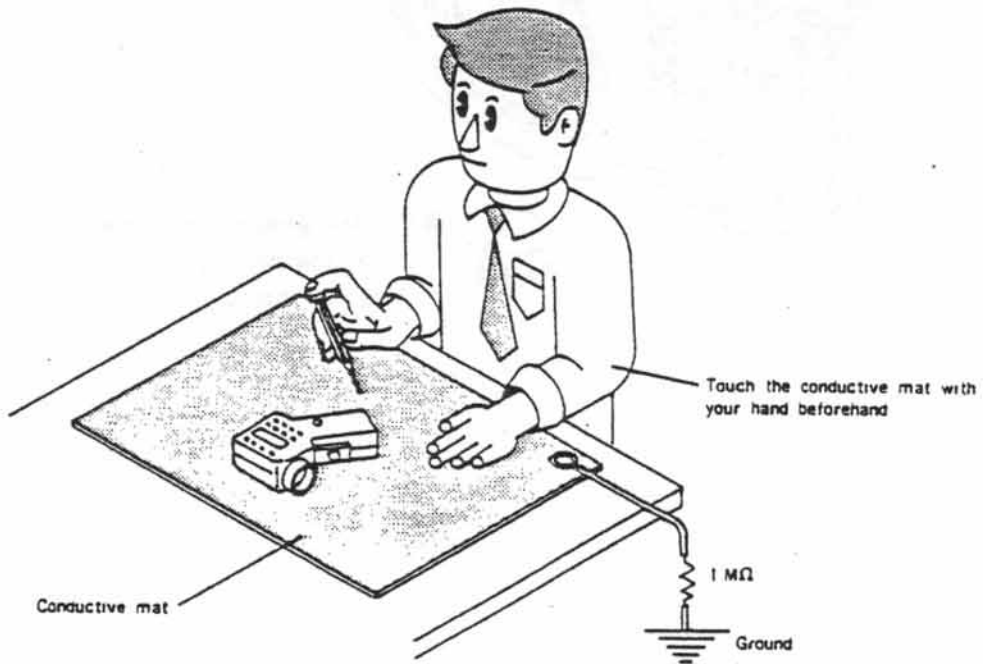
■ The following precautions must be taken concerning all plastic parts.

1. When cleaning, use Fionolve or alcohol. Do not use thinner, ketone, ether, etc.
2. Secure all parts with the specified screws, taking care not to exert excessive stress to them.

■ Handling of the flexible board

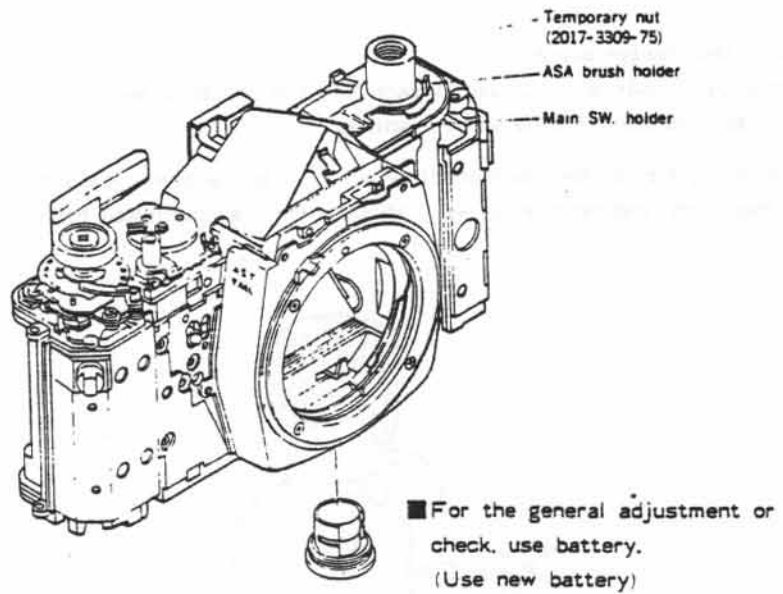
The flexible board uses MOS ICs and is very sensitive to static electricity. Therefore, the following points must be kept in mind when repairing.

- When handling the flexible board itself or wiring it to the body, use a conduction mat to prevent static electricity, and perform all work as shown in the illustration below.



■ When grounding is impossible, connect the cable to a large metal plate (steel desk or shelf).

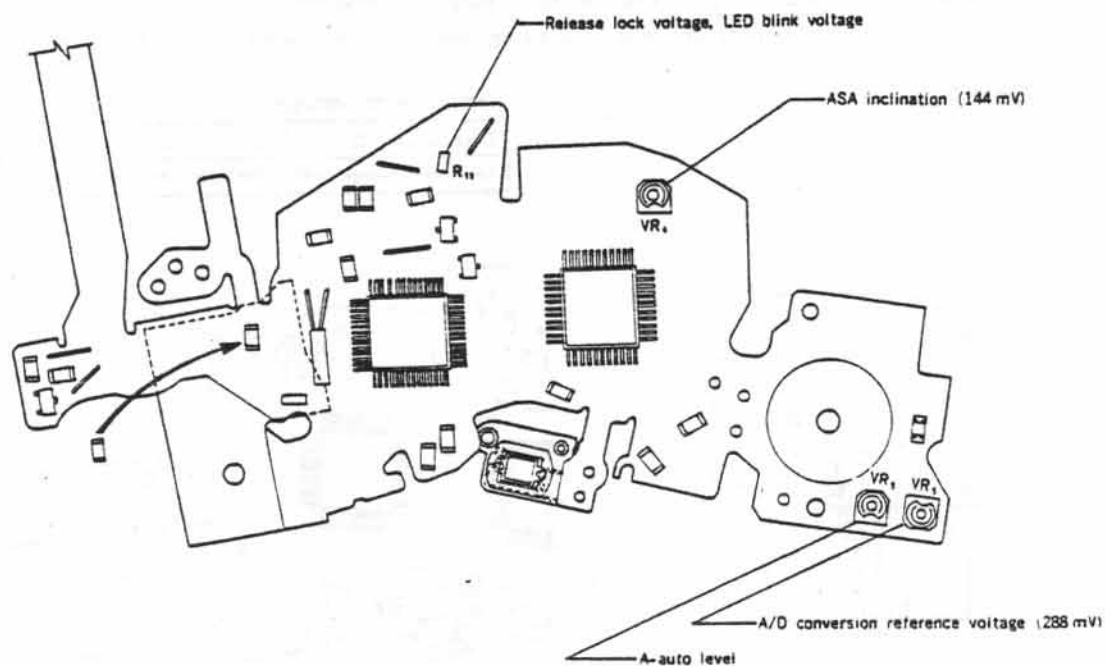
■ Preparation for adjustments



■ Exposure adjustment

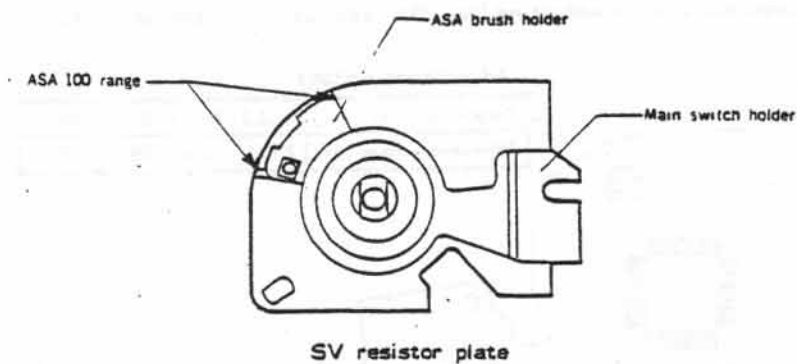
■ Resistor positions and adjustments

■ Fig. 1



- Beforehand set ASA film speed to ASA 100 properly as below:
Set ASA brush holder within range of ASA 100.

■ Fig. 2



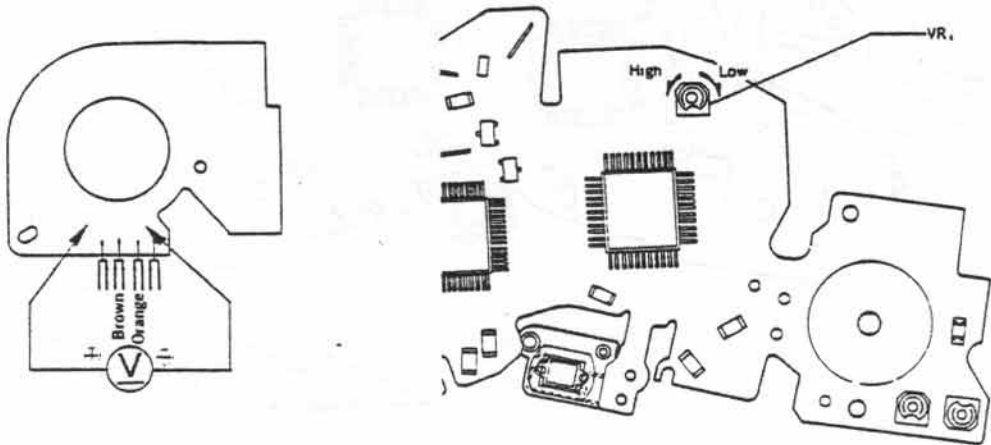
1 Adjustment of ASA inclination

■ Measuring instrument : Digital multimeter (Type 2508, 3476, 2507)

■ Adjustment procedure

1. Set the metering switch to ON and adjust by turning VR₁ so that the voltage at the point in Fig. 1 is $144 \pm 2 \text{ mV}$ (In case of 25°C room temperature)
Depending on the temperature when adjusting, use the table below to get adjustment voltage.

■ Fig. 1



[Adjustment voltage]

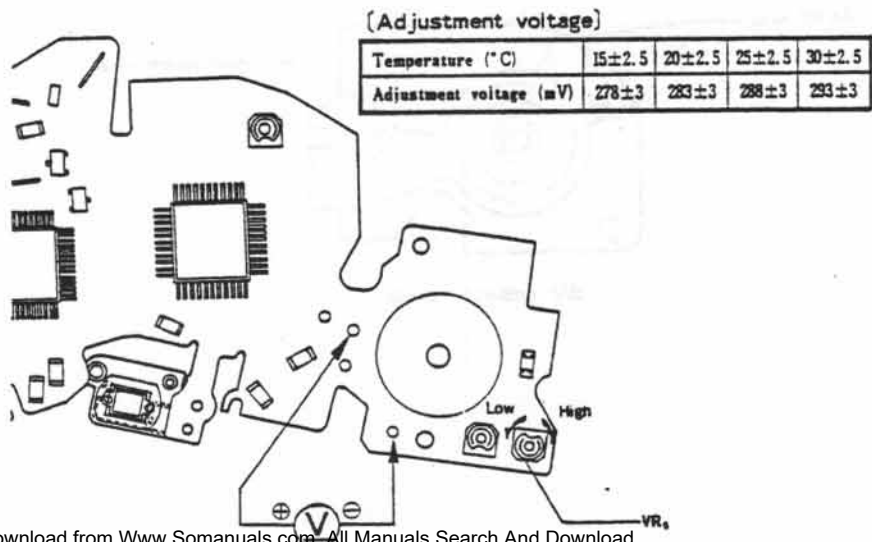
Temperature (°C)	15±2.5	20±2.5	25±2.5	30±2.5
Adjustment voltage (mV)	139±2	141.5±2	144±2	146.5±2

2 Adjustment of A/D conversion reference voltage

■ Measuring instrument : Digital multimeter (Type 2508, 3476, 2507)

■ Adjustment procedure

1. Set the metering switch to ON and adjust by turning VR₂ so that the voltage at the point in Fig. 2 is $288 \pm 3 \text{ mV}$ (In case of 25°C room temperature)
Depending on the temperature when adjusting, use the table below to get adjustment voltage.



[Adjustment voltage]

Temperature (°C)	15±2.5	20±2.5	25±2.5	30±2.5
Adjustment voltage (mV)	278±3	283±3	288±3	293±3

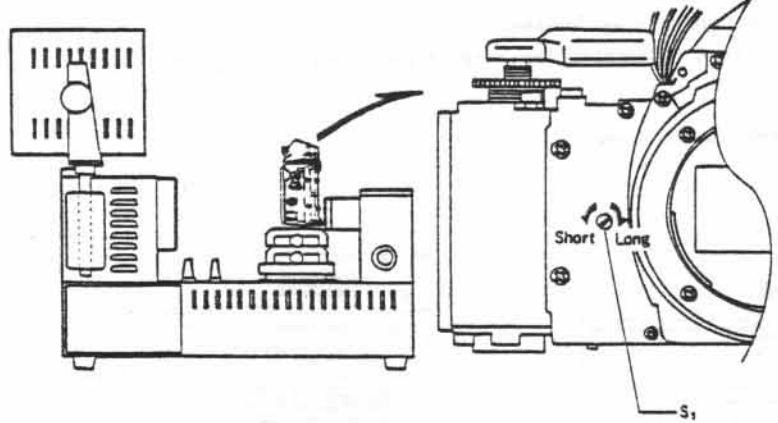
3 Adjustment of manual SS

■ Measuring instruments : Shutter tester (Model S-2101, FS-1DMN4)

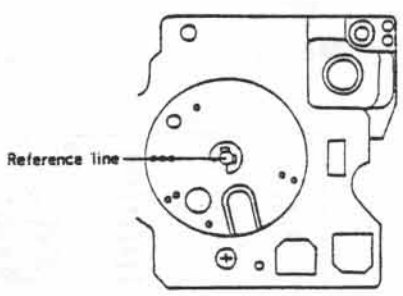
■ Adjustment procedure

- Determine position of TV brush, referring to Fig. 2, or looking at shutter speed LED.

■ Fig. 1



■ Fig. 2 Relation between TV brush holder position and manual SS



1. Shutter speed adjustment and check (see the table below)

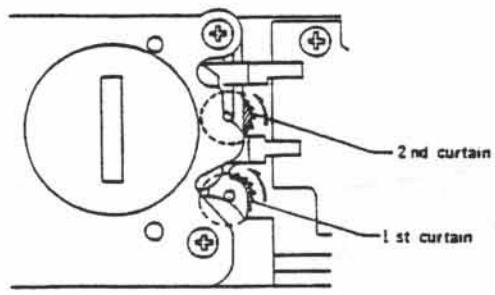
Step	Item	Part adjusted	Adjustment (check)	Remarks
①	1/1000 curtain speed check	—	(Both 1st & 2nd curtains are within 13 ms.)	If it is more than 13 ms or less than 10 ms, adjust the 2nd curtain speed.
②	1/1000 adjustment	S ₁ eccentric pin	0.98 ms	—
③	1/60 check	—	(16~18.5 ms)	
④	X time lag	—	(Range A : 0.4 ms or more) (Range B : 2.4 ms or more)	Check it with SS 1/60 and if is defective, perform the adjustment on P. 8.

- When the exposure unevenness at steps ②~③ is over 0.3 EV in both B-A and B-C ranges, and over 0.4 EV in the A-C range, adjust the curtain speed as follows.
- For the shutter speed standard, refer to the inspection standard.

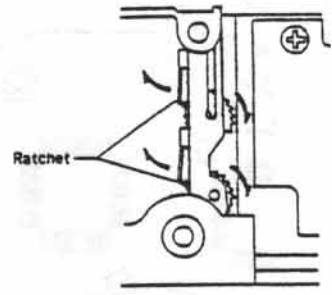
2. Curtain speed adjustment

Adjust by turning the ratchet so that the 1st and 2nd curtain speeds are $11 \pm 0.3 \text{ ms}$ at 1/1000.

■ Fig. 3 (Increasing the curtain speed)



■ Fig. 4 (decreasing the curtain speed)



- Remove the battery case base plate while pushing ratchet to release the ratchet claw and the ratchet return. (Do not return it completely.)
- Return it sufficiently and adjust by slowly increasing the curtain speed.

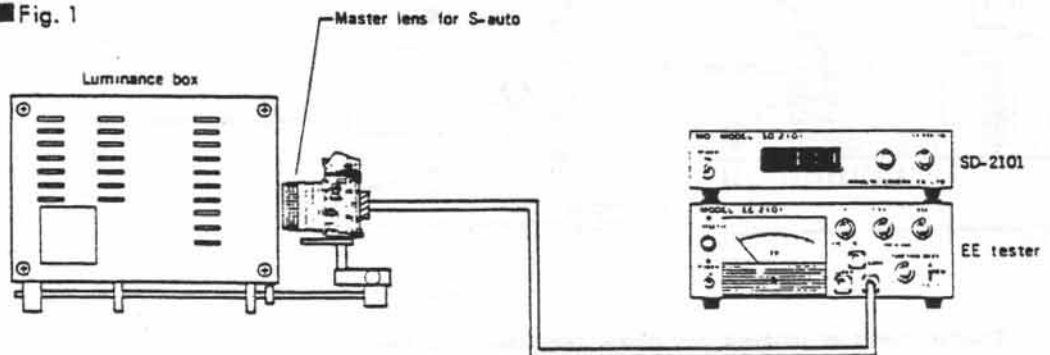
4 Adjustment of A-auto level, check of LED indication

- Measuring instruments : Luminance box (Model L-2101, L-222, L-223)
 : EE tester (Model EE-2101, EE-2111)
 : SS adaptor for EE tester (Model SD-2101)
 : Master lens for S-auto (2005-0001-75)

■ Adjustment procedure

1. Set the camera and measuring instruments as follows.
 - After setting the master lens, turn it counterclockwise to put aside the looseness to one side.

■ Fig. 1



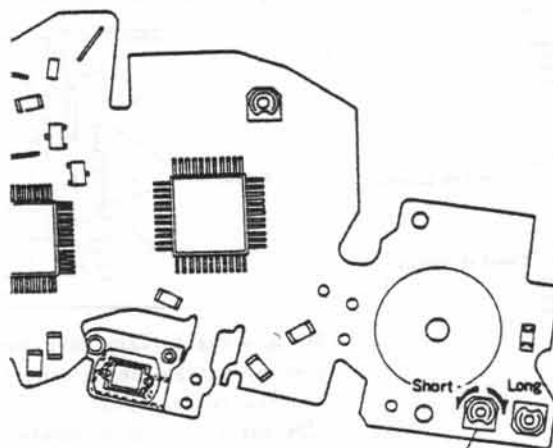
- Luminance box
K value : 1.2
※ Luminance : EV 10, 15
- Camera
Shutter dial : A
ASA : 100
- Master lens
Aperture : F 5.6
Distance : ∞
- EE tester
K value dial : 1.2
ASA dial : 100
- SD-2101
Aperture switch : F 5.6
Luminance switch : Same as luminance box.

※ When using luminance box (L-222 or L-223), set it at EV 11, and use a ND filter (MINOLTA ND 50% FOR ADJUSTMENT).

2. Adjust and check as follows:

Step	Luminance	Shutter speed adjustment	EE level allowable range	Part adjusted	Indication allowable range (±0.5EV)
1	EV 10	34 ms	—	VR _s (Fig.2)	1/60
					1/30
					1/15
2	EV 15	—	±0.4EV	(Check only)	

■ Fig. 2



Check and adjustment of release lock voltage and LED blink voltage

Check

① Release lock voltage	Standard	$2.46 \pm 0.1 \text{ V}$
② LED blink voltage	Standard	$2.56 \pm 0.1 \text{ V}$

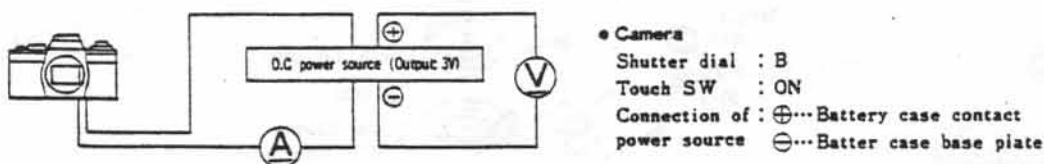
• In case of out of standard above, adjust those as following procedure.

■ Measuring instruments : Constant voltage D.C power source (MODEL 524B, E-1, E-2)
 : Digital multimeter (Type 2508, 3476, 2507)
 : Direct current tester

Checking procedure

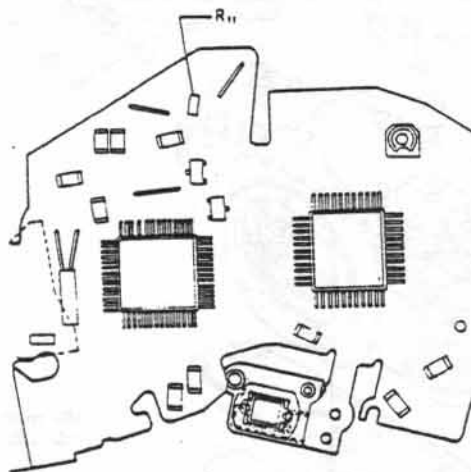
1. Check the current consumption at B setting (incl'd * indication) using measuring instruments as follows.

■ Fig. 1



2. Measure the release lock voltage while reducing slowly the voltage of D.C power source from 3V.
3. In case of out of standard, replace R_{11} (68-390K Ω).

■ Fig. 2



Checking high and low shutter speed limits

■ Measuring instrument : Shutter tester (Model S-2101, FS-1DMN4)

- ① High shutter speed limit (shutter speeds in other than high luminance operation in A mode.)
 - Check the shutter speed with the shutter dial set to A.

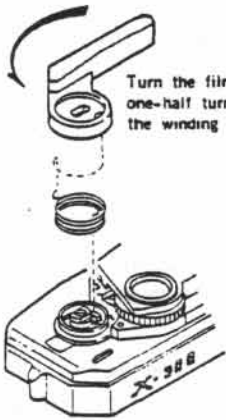
Standard	0.69~1.38 ms
----------	--------------

- ② Low shutter speed limit (shutter speeds in other than low luminance operation in A mode.)
 - Set the shutter dial to A, and then check the exposure time with light to the receiver interrupted.

Standard	Within 5 sec.
----------	---------------

External parts (completion)

■ Fig. 1



■ B SONIBOND
SC-108

- 1356
- 9761-1755-07
- 1358
- 1344
- Film advance lever

■ Fig. 1
3005
■ T 2017-3013-75
3013

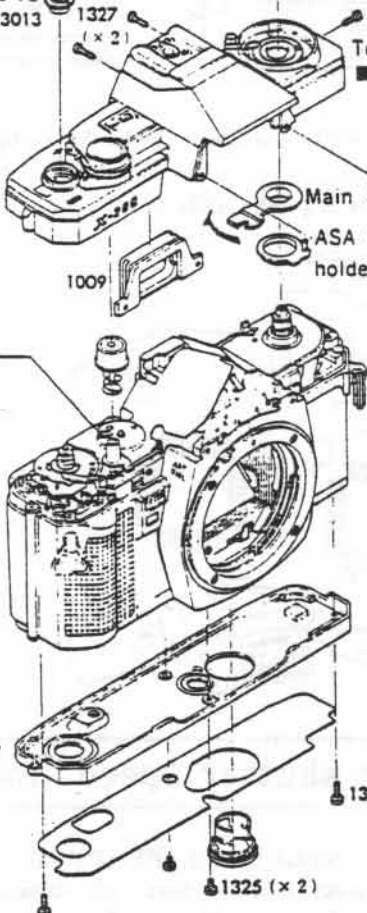
■ Fig. 3
3311
Rewinding knob
■ T 2019-2053-75
2053
2067
ASA
Operation knob

1323
Top cover
■ Set main switches to ON (cover and body sides). Turn in the direction of the arrow.

Main SW.
ASA brush holder
Front top cover
1321 (x 2)

TV brush holder
■ Fig. 2

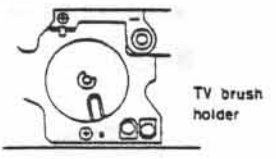
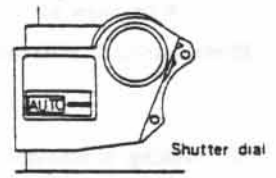
Bottom cover



1323 (x 2)

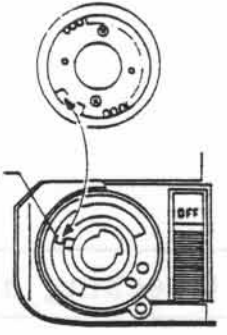
1325 (x 2)

■ Fig. 2 TV brush holder position



■ Fig. 3

ASA brush holder (ASA 100)



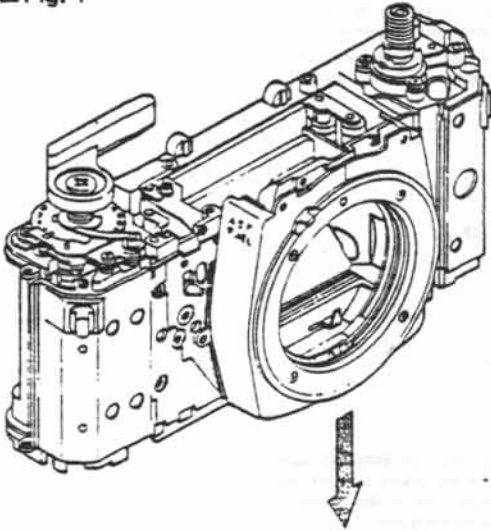
Shutter block adjustment

- **Measuring instruments:** Camera standard tester (Model ST-5101)
: Shutter tester (Model S-2101, FS-1DMN4)

■ Preparations

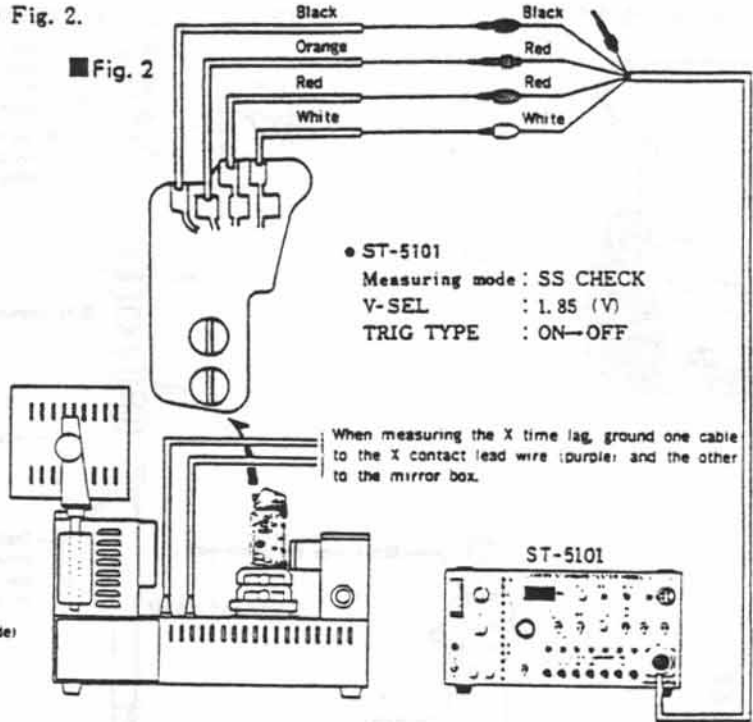
1. Mount the shutter onto the front base plate block and install it onto the body (as shown in Fig. 1).
2. Connect the tester as shown in Fig. 2.

■ Fig. 1



Operate the shutter as described on P. 15. (2024 Repair Guide)

■ Fig. 2



■ Adjustment procedure

1 Curtains speed adjustment

1. Set the SS-SEL of ST-5101 to 1000 and adjust by turning the curtain spring cylinder shaft so that both curtain speeds are $11 \pm 0.3 \text{ ms}$. (Fig. 3)

● When the curtain is not open, shift SS-SEL to 60 and make a rough adjustment beforehand so that both curtain speeds are about 12 ms, and then adjust again with the SS-SEL set to 1000.

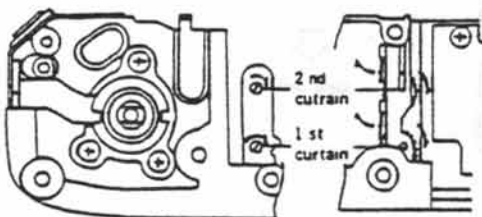
2 Shutter speed adjustment

1. With the SS-SEL set to 1000, release the shutter and adjust by turning the S_2 eccentric pin so that the shutter tester indicates 0.98 ms . (Fig. 4)

3 X time lag adjustment

1. Connect the synchro cord of the shutter tester to the camera. (Fig. 2)
2. With the SS-SEL set to 60, release the shutter and check to be sure that the speed is 0.4 ms or more in range A and 2.4 ms or more in range B.
To make the adjustment, bend the end of the X contact.

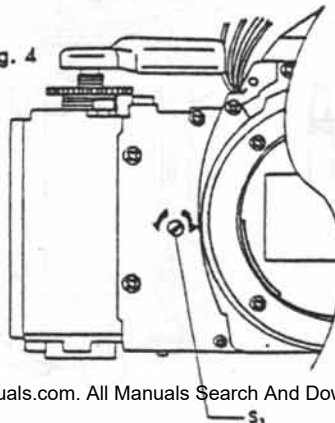
■ Fig. 3



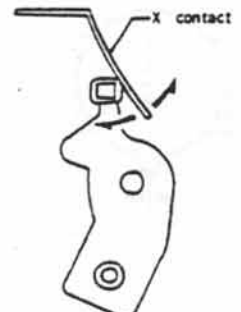
● Increasing the curtain speed

● Decreasing the curtain speed

■ Fig. 4

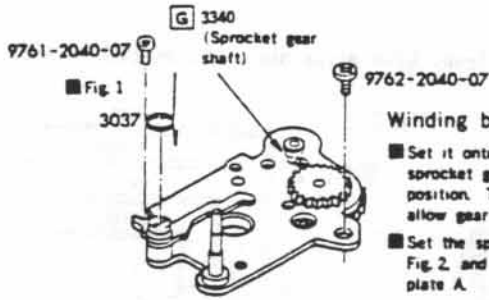
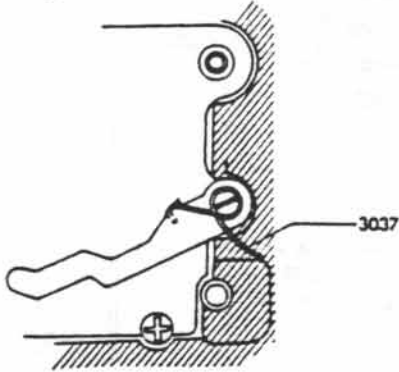


■ Fig. 5



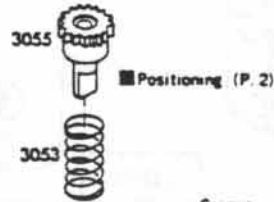
1 Spool, sprocket, winding base plate A

■ Fig. 1 3037 spring setting



Winding base plate A

- Set it onto the body with the sprocket gear (3055) in position. Take care not to allow gear disengagement.
- Set the sprocket as shown in Fig. 2, and fit winding base plate A.

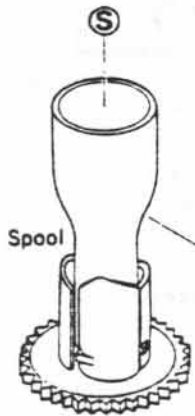


■ Positioning (P. 2)

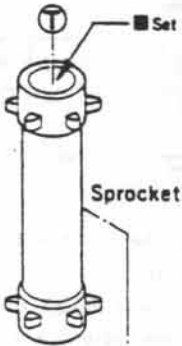
Sprocket shaft

- Engage with the sprocket clutch, keeping the groove parallel with the body. The bottom claws must be as shown below.

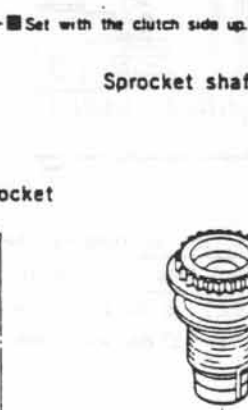
Toward film side



Spool



Sprocket



■ Fig. 3

9721-0150-13

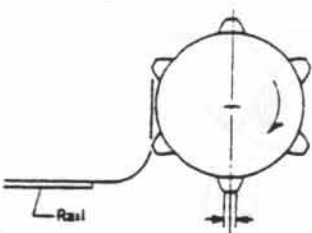
■ Fig. 3 Installing direction of E-ring

Push completely



Lens side

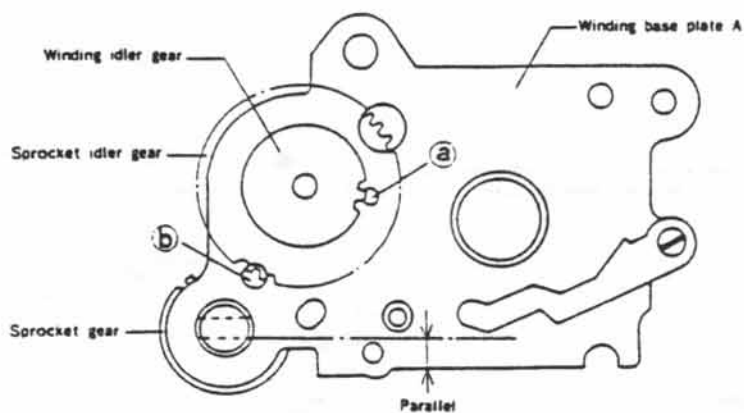
■ Fig. 2



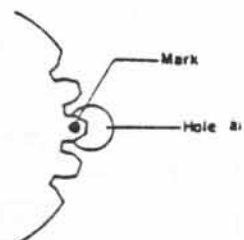
Rail

■ Sprocket gear positioning procedure

■ Fig. 1



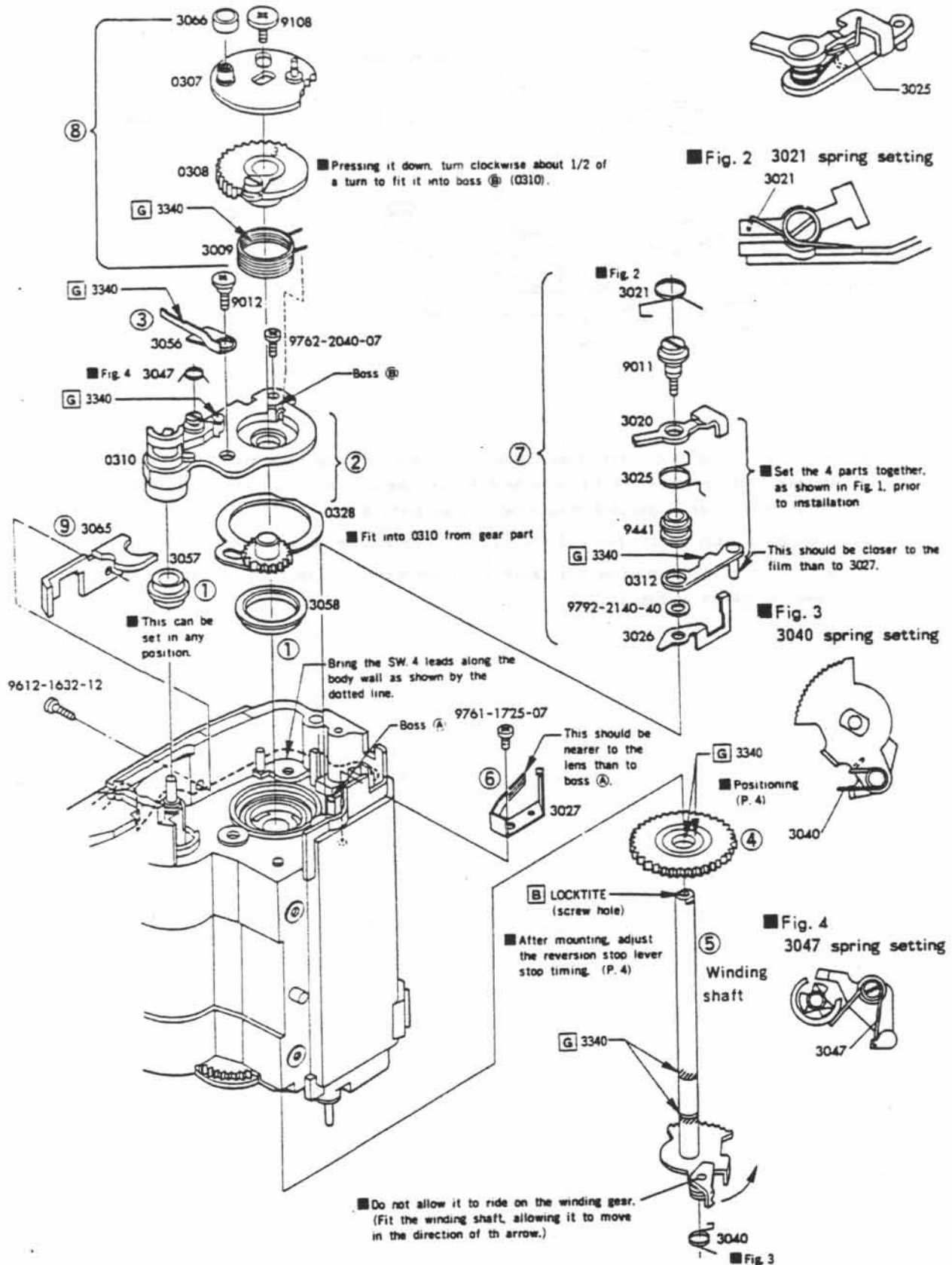
■ Fig. 2



1. With the winding idler gear crest fitted in hole a of winding base plate A and with the sprocket idler gear bottom fitted in hole b, set the sprocket gear so that the shaft under the sprocket gear is parallel with winding base plate A.
2. Then, put a mark on the tooth of the winding idler at hole a, as shown in Fig. 2.
 - After marking the winding idler gear, align the mark with hole a and set the sprocket gear as shown in Fig. 1.

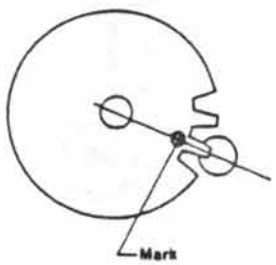
2 Winding shaft

Assemble the parts in the order ①~⑨

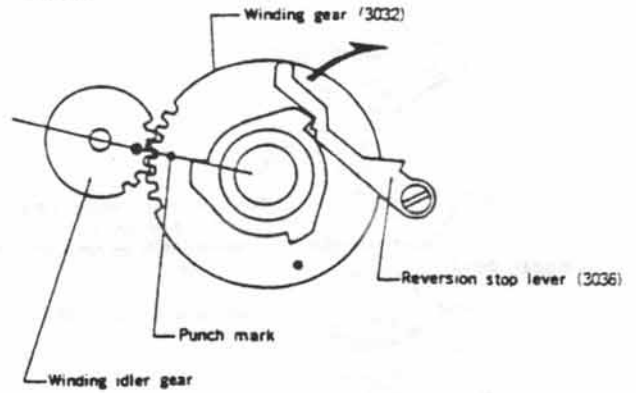


Winding gear positioning procedure

■ Fig. 1 Winding idler gear position



■ Fig. 2

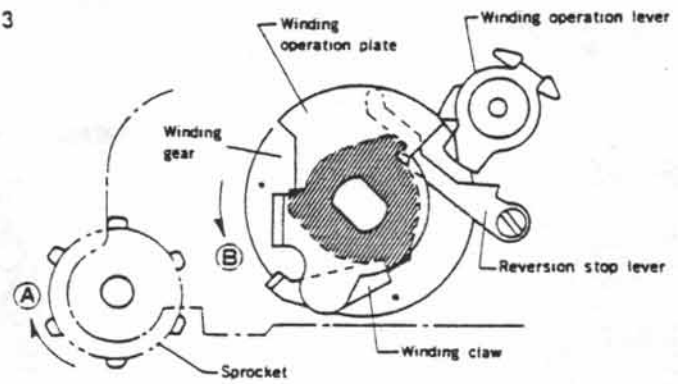


1. Make sure that the winding idler gear is positioned as shown in Fig. 1.
2. Allow 3036 to move in the direction of the arrow, then set the winding gear so that the punch mark of the winding gear is aligned with the mark of the winding idler gear. (Fig. 2)

Reversion stop lever stop timing adjustment

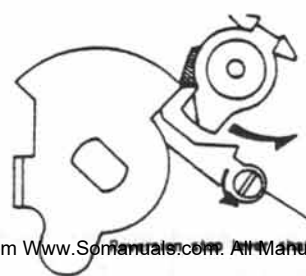
1. Position the winding operation plate as shown in Fig. 3, and temporarily set the winding operation lever.
2. With the winding claw and reversion stop lever fitted into the winding gear as shown in Fig. 3, press the winding operation plate in the direction of arrow B while applying a load to the sprocket in the direction of arrow A so that the winding claw is set securely onto the winding gear.

■ Fig. 3

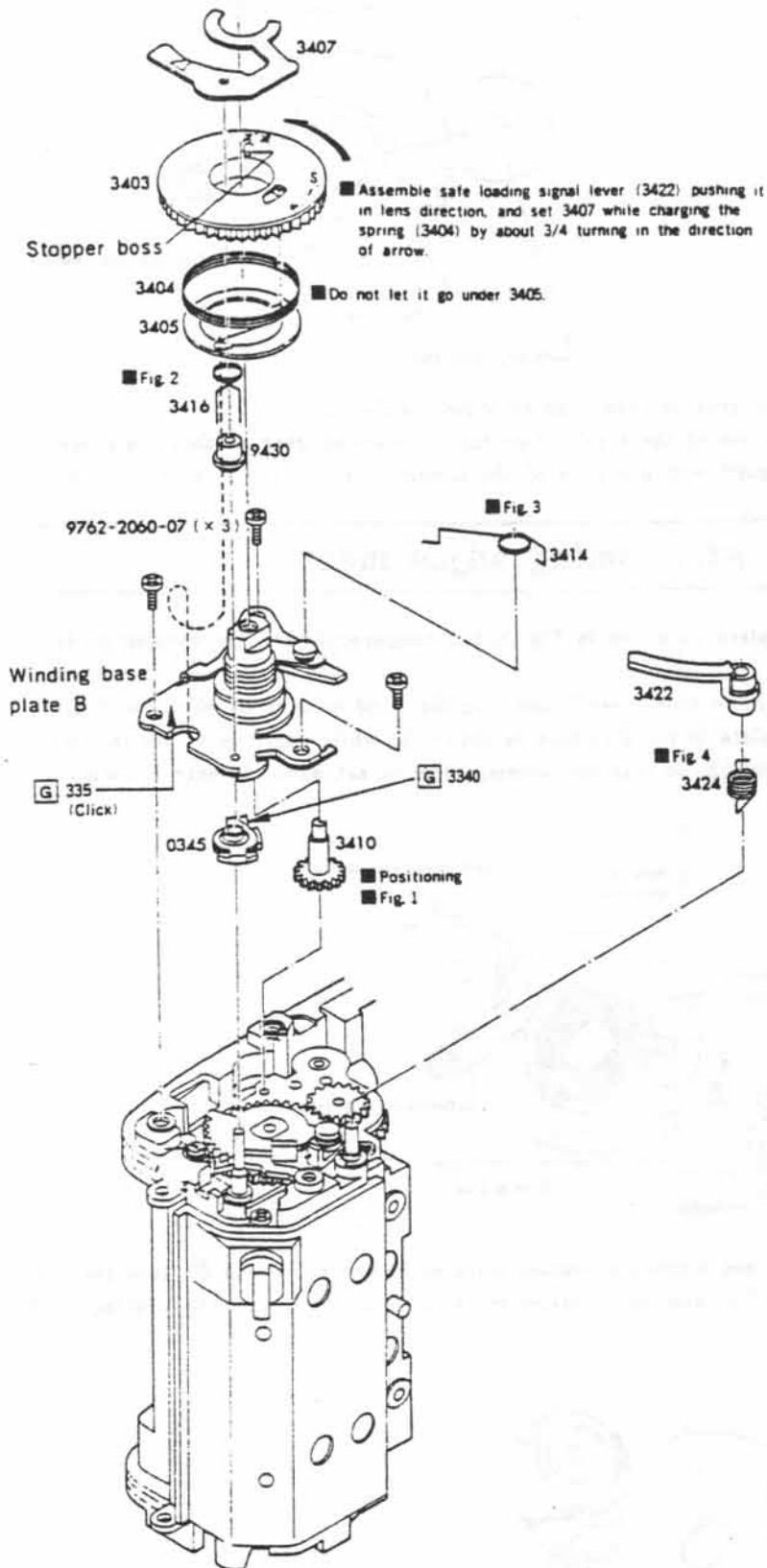


3. Applying a load to the sprocket and winding operation plate as shown by A and B, turn the reversion stop lever shaft until the winding operation lever is disengaged from the winding operation plate. (Fig. 4)

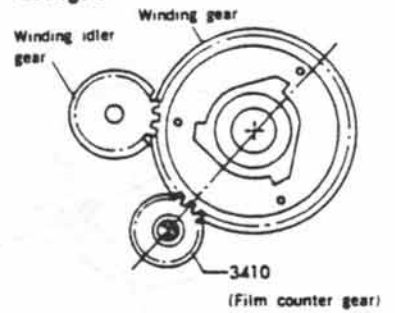
■ Fig. 4



3 Winding base plate B

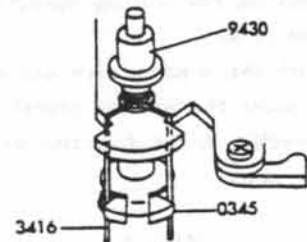


■ Fig. 1



● Make sure that the punch mark of the winding gear is correctly facing the center of the winding idler gear, and then set 3410 so that the V groove is positioned as shown above.

■ Fig. 2 3416 spring setting



■ Fig. 3 3414 spring setting



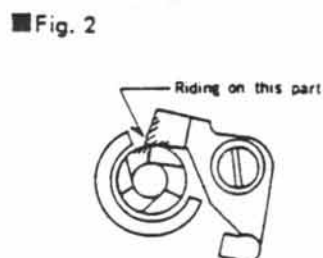
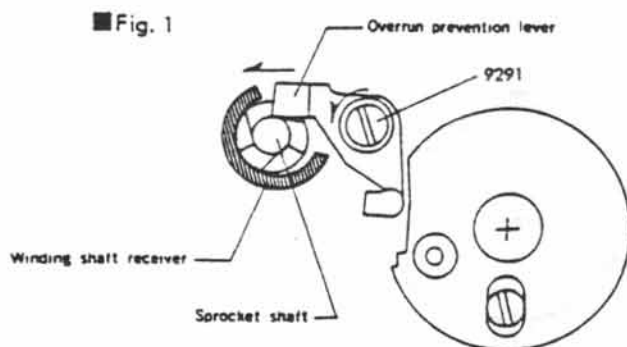
■ Fig. 4 3424 spring setting



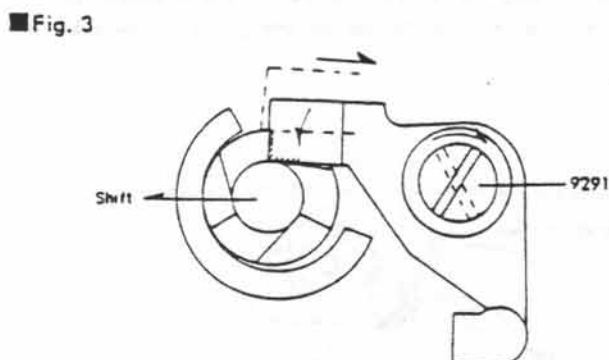
■ After completion of the assembly work, mount the film advance lever and carry out the adjustments and checks on p. 6, 7, 8.

■ Overrun eccentric pin adjustment

1. After winding, hold the film advance lever and turn the eccentric pin (9291) counterclockwise until the sprocket shaft (3052) touches the winding shaft receiver. (Fig. 1)
2. Return the winding lever slightly, and then wind it again to set it in the condition shown in Fig. 2.



3. Then, shift the sprocket shaft by finger toward the body center to set it in the condition shown in Fig. 3, and slowly turn the eccentric pin (9291) clockwise until the overrun prevention lever is engaged with the ratchet of the sprocket shaft.



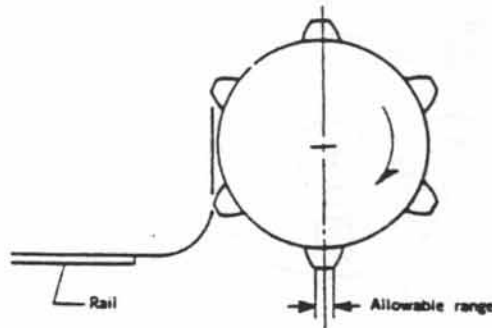
- **Checking adjustment:** During the winding lever operation, the end of the overrun prevention lever should not be caught by the sprocket claw. After winding is completed, the lever should be engaged with the claw.

■ Winding mechanism check

① Position of sprocket claws

After winding, hold the winding lever and return the sprocket in the direction of the arrow, as shown in Fig. 1. The sprocket claw positions should then be as illustrated.

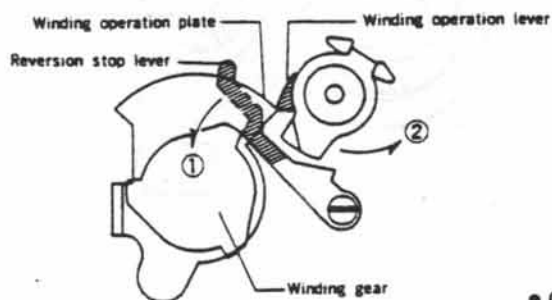
■ Fig. 1



② Reversion stop lever timing

Slowly turn the film advance lever while applying a load to the sprocket. The winding operation lever should disengage from the winding operation plate after (or at the same time) the second step of the reversion stop lever begins to engage with the claw of the winding gear.

■ Fig. 2

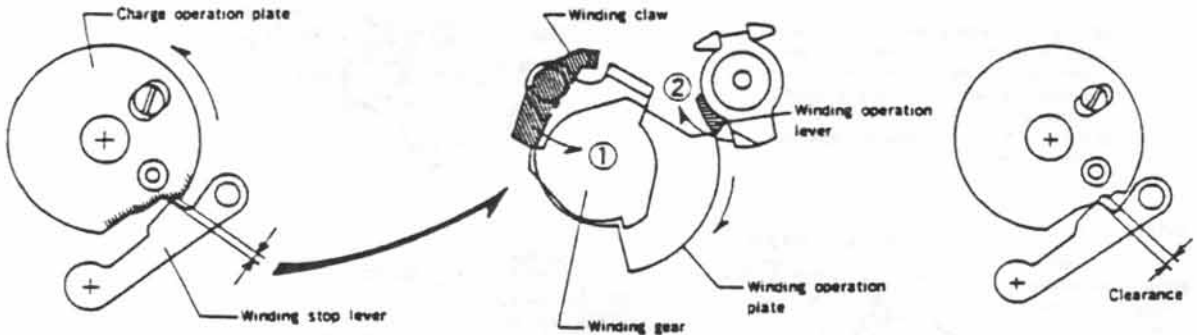


● Check through the clearance of the strap hanger screw.

③ Check and adjustment of winding operation lever timing

- After winding completion, slowly return the film advance lever. The winding stop lever should engage on the 1st stop position of the charge operation plate. Before it engages on the 2nd stop position. ① the winding claw and ② the winding operation lever should disengage from the winding operation plate. The order of ① and ② is reversible.
- And also make sure that a clearance should be visible between winding stop lever and charge operation plate after winding stop lever engages with the 2nd stop position of charge operation plate.

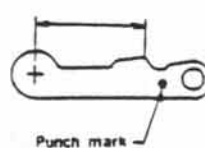
■ Fig. 3



If adjustment is not made well as mentioned above, replace winding stop lever with a new one.

(Timing failure of winding operation lever may occur by replacing parts of winding mech. with accumulated tolerance of each part.)

■ Fig. 4



Types of winding stop lever-A set

Parts No.	Mark	L(mm)
2017-0312-01	no marked	8.6
2017-0322-01	marked	8.8

■ Note:

The following symptoms may occur by replacing parts of the winding stop lever A-set even timing of winding operation lever is normal.

- ① The symptom of replacing 0322-01 by 0312-01.

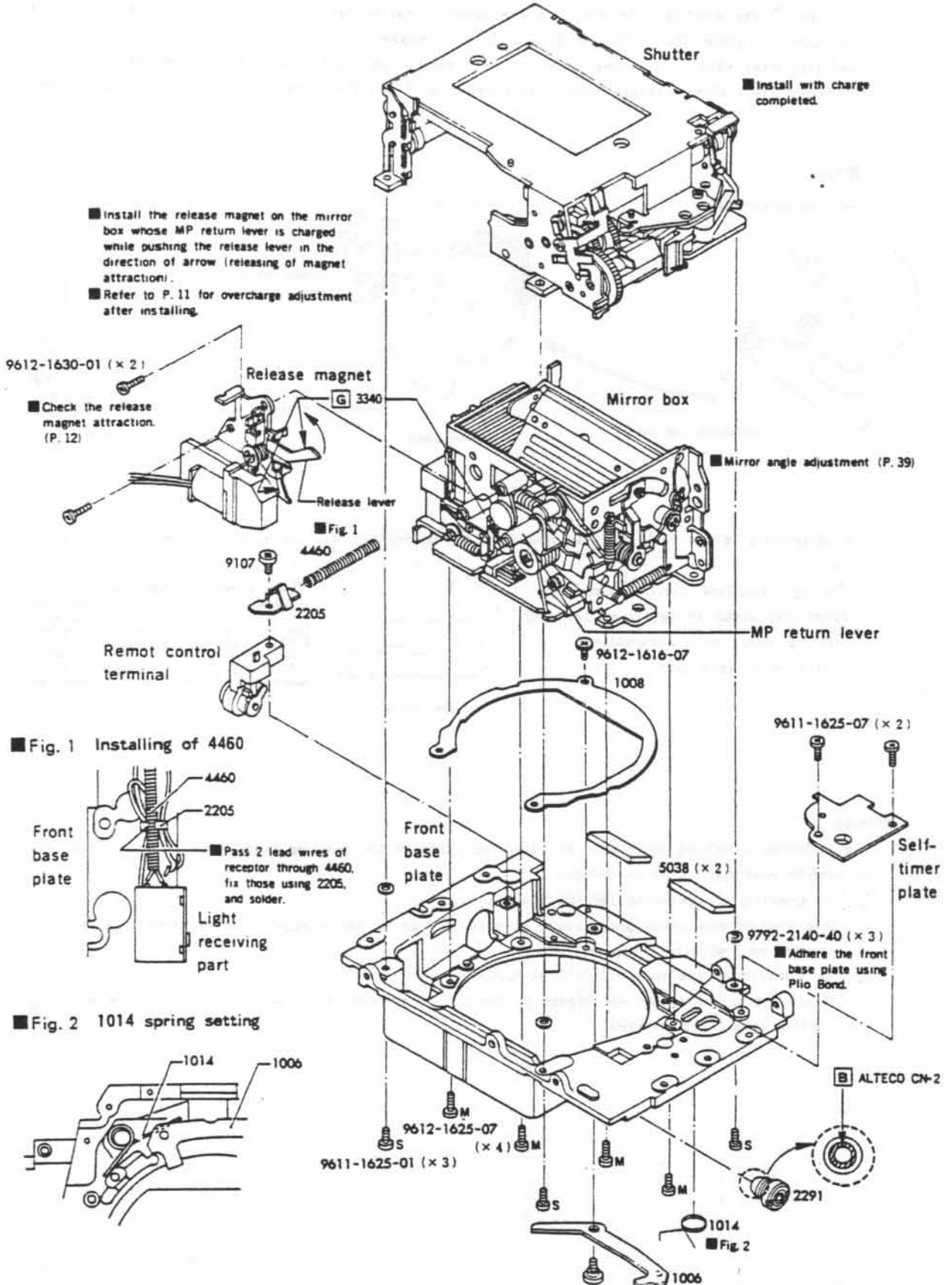
Idle winding may take place cause of winding claw is not engaged even winding stop lever engaged on 2nd stop position.

- ② The symptom of replacing 0312-01 by 0322-01.

Winding stop lever may not engage on the 2nd stop position or no clearance appears even winding stop lever engaged.

4 Front base plate block assembly-1

■ Refer to the arrangement of the lead wires on the next page.

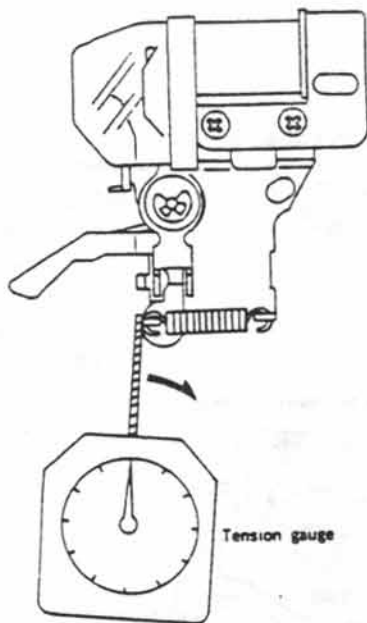


Release magnet attraction check

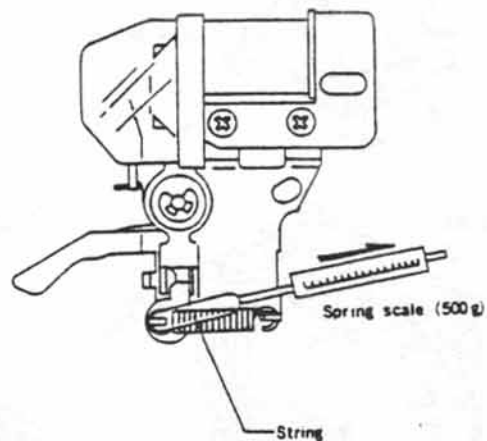
- Measuring instruments : Constant voltage D.C power supply (Model 524B, E-1, E-2)
: Dial tension gauge (500 g, 300 g)

- Checking procedure

■ Fig. 1 Attraction



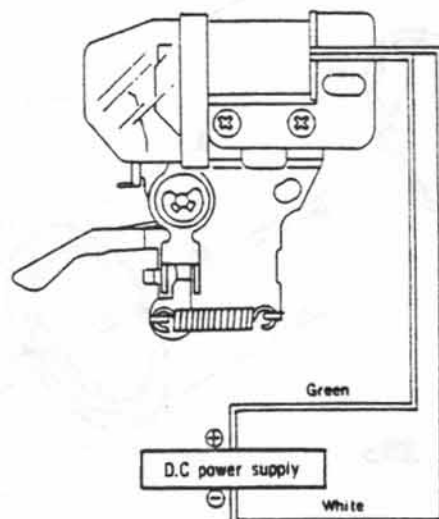
■ Fig. 2 Attraction



Standard	150 g or more
----------	---------------

- Attraction check.....As shown in Fig. 1, set a tension gauge to the release magnet, and then check the value 3 times when the contact piece separates.
(If a tension gauge of more than 270g is not available, a spring scale of about 500 g can be used instead as shown in Fig. 2)

■ Fig. 3 Separation voltage

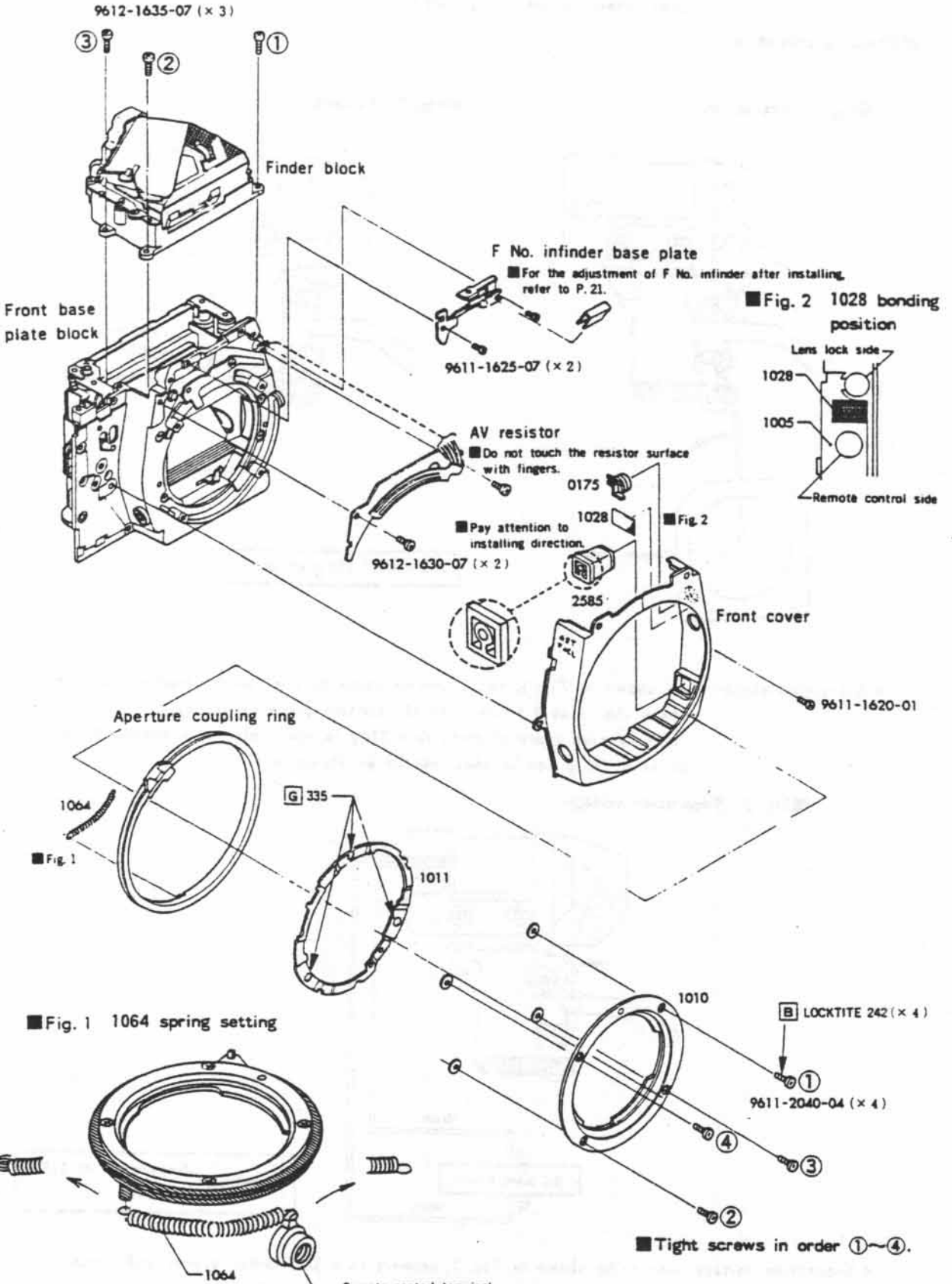


Standard	Separates at 1.8V or less
----------	---------------------------

- Separation voltage check...As shown in Fig. 3, connect to a D.C power supply and check to see if the contact piece separates at 1.8 V or less.

5 Front base plate block assembly-2

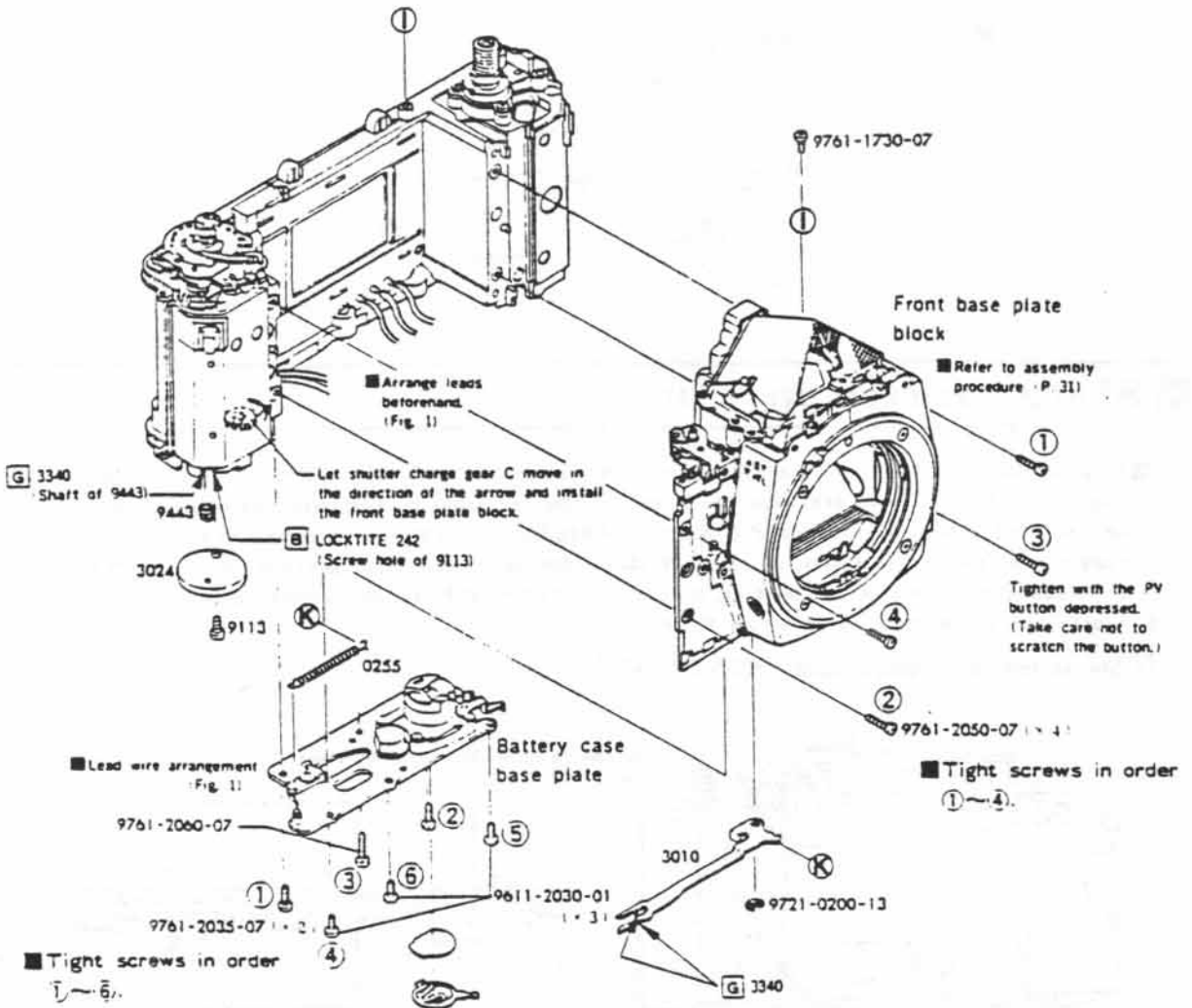
■ Tight screws in order ①~③.



6 Front base plate block assembly

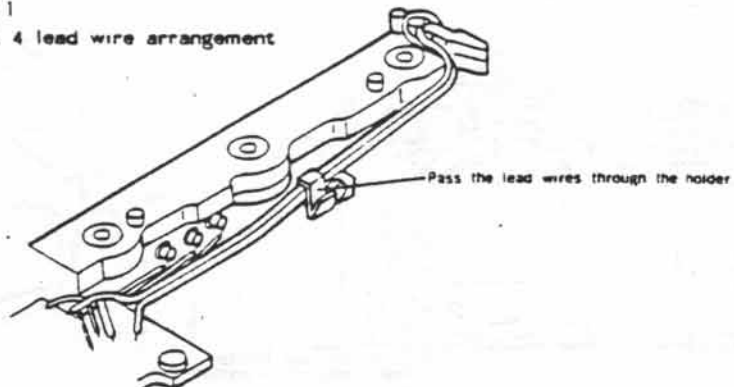
■ After completion of assembly, perform the shutter gear position and shutter charge adjustments.

(P. 15, 16)



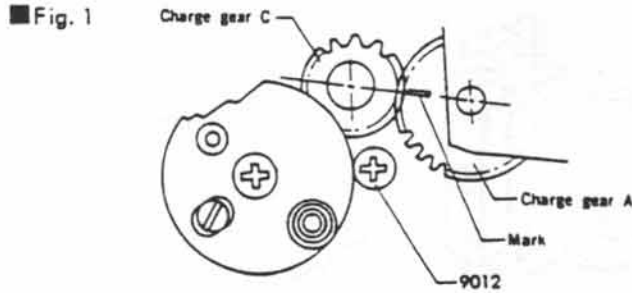
■ Fig. 1

SW. 4 lead wire arrangement



■ Shutter gear position adjustment

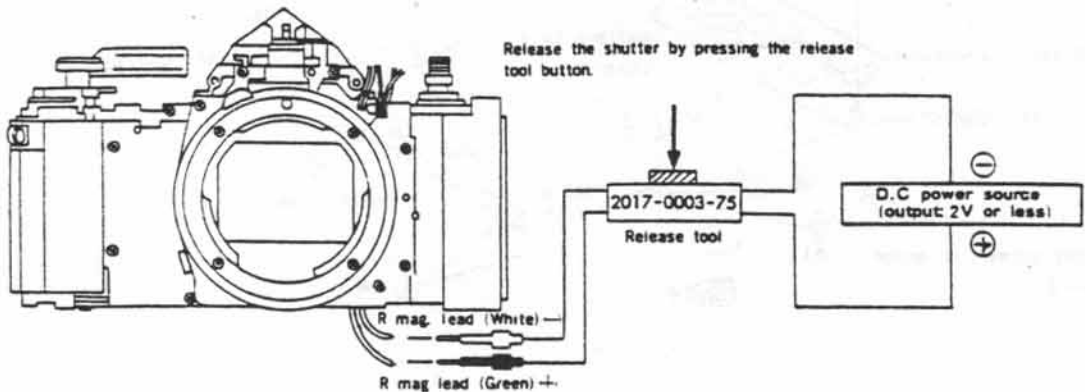
1. Engage the gears so that the mark of charge gear A faces the center of charge gear C, and tighten 9012. The gear engagement clearance should be 0.1~0.2 mm.



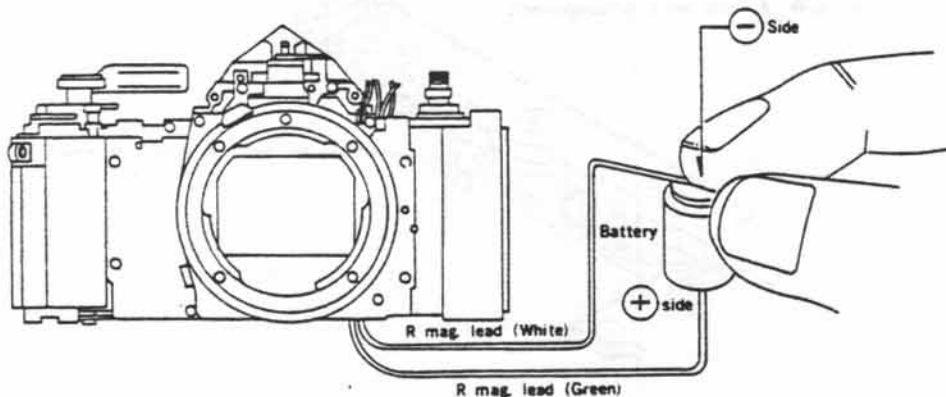
■ Shutter release procedure

■ In this camera, the mirror operation mechanism is started with the separation of the release magnet (R Mag). Therefore, after mounting the shutter block on the body, the shutter cannot be released unless the flexible P.C board is installed with the wiring completed. For this reason, the shutter should be released by the following method when performing any checking or adjustments, such as for winding, mirror box, shutter release, etc., after assembling the front base plate block as shown on P. 14.

- 1 By using a release tool (2017-0003-75)



- 2 By using a battery

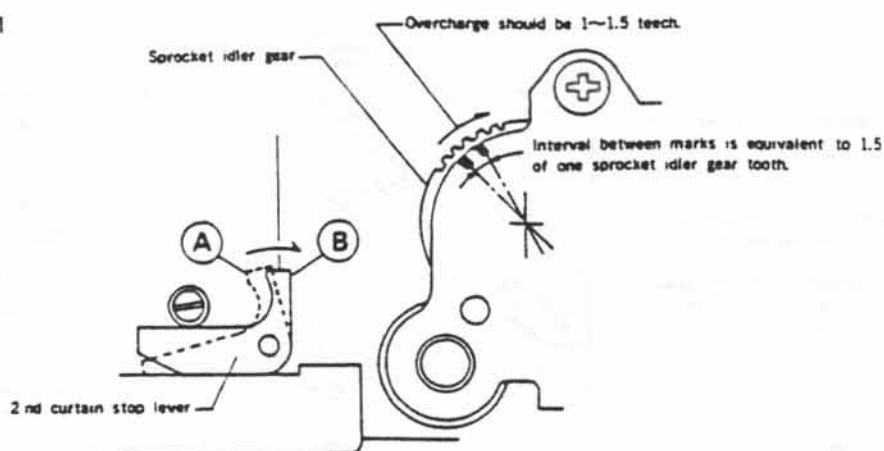


■ Caution: In both methods 1 and 2, supply power until the completion of shutter operation.
(Otherwise the shutter tester may fail to give a correct indication.)

■ Shutter charge adjustment

1. Slowly turn the film advance lever and check the over-charge from the time the 2nd curtain is stopped (the 2nd curtain stop lever moves from (A) to (B), as shown below) until the film advance lever stops by checking the movement of the sprocket idler gear.

■ Fig. 1

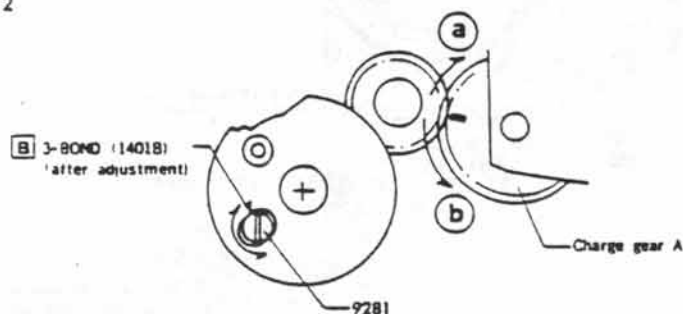


Caution: If the winding operation is not smooth, or if the overcharge exceeds two teeth, immediately stop winding and adjust.

■ Adjustment procedure

- Overcharge is less than 1 tooth.....Turn the eccentric pin (9281) counterclockwise.
- Overcharge is over 1.5 teeth.....Turn the eccentric pin (9281) clockwise.

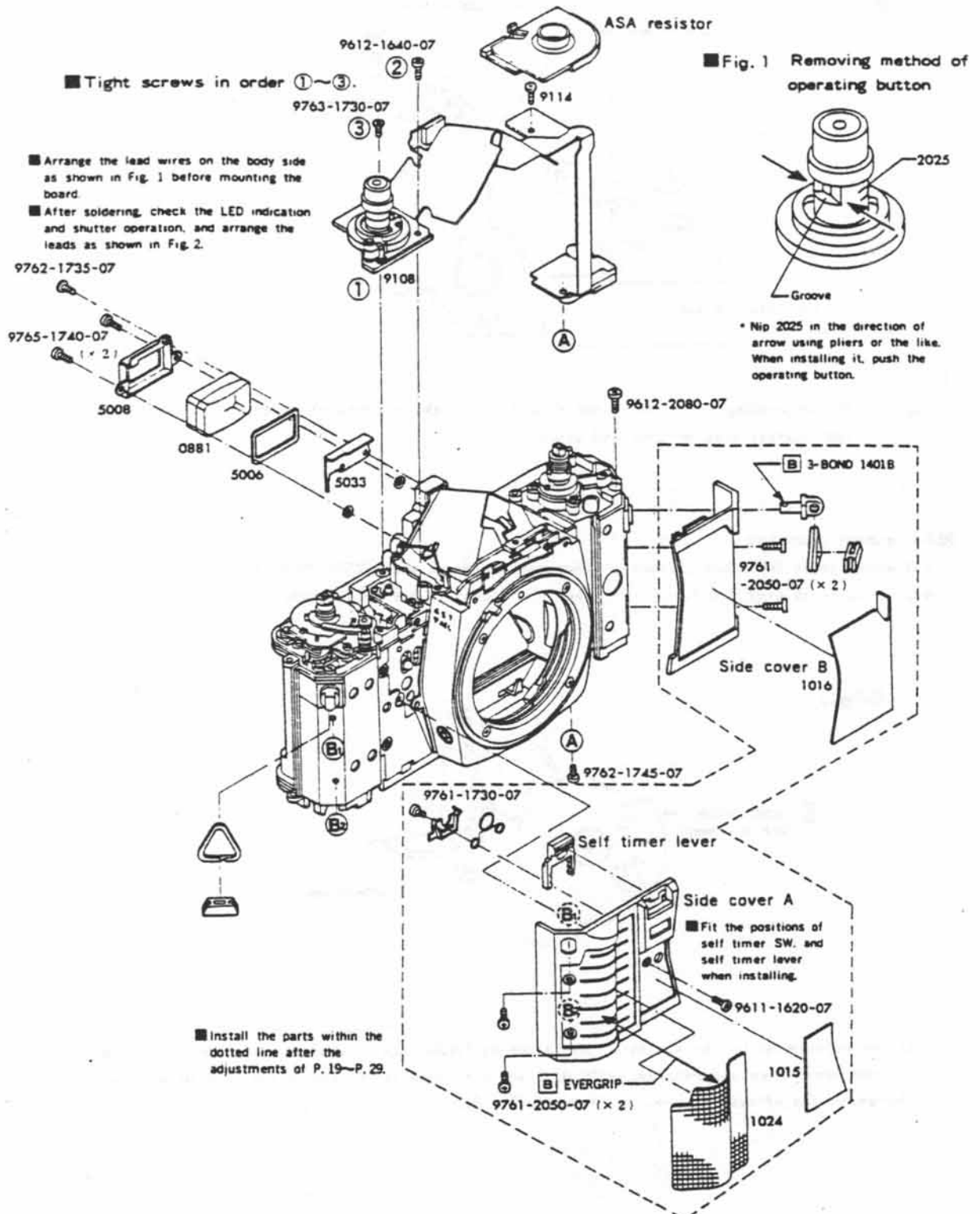
■ Fig. 2



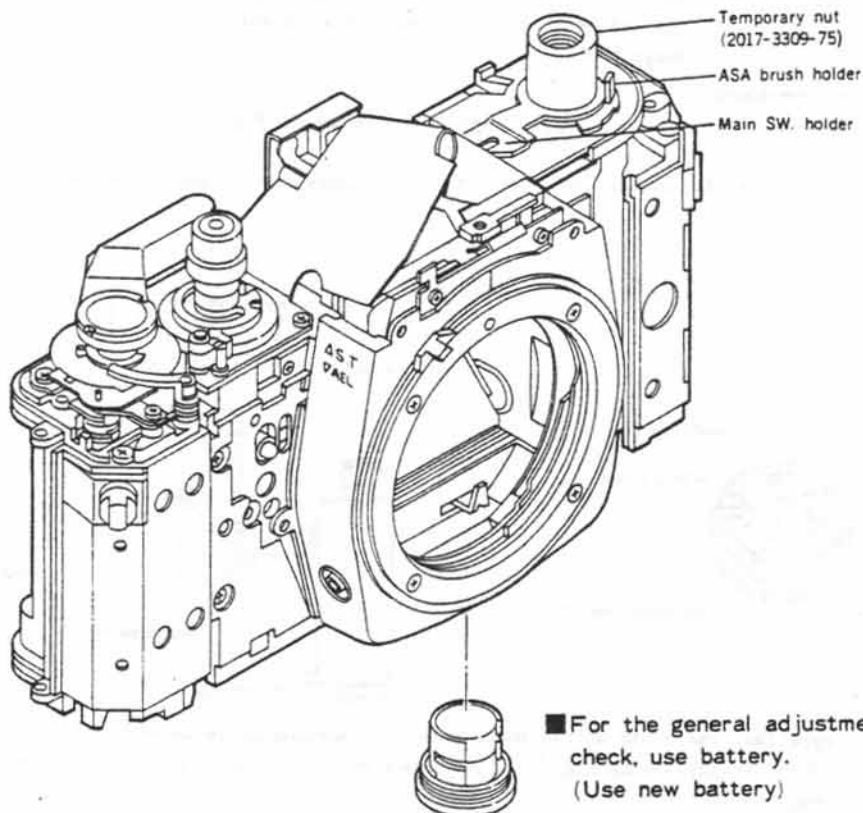
- If the adjustment by the eccentric pin is not sufficient, shift charge gear A by one tooth. (In the case of an undercharge, shift it in the direction of (a), and in the case of an overcharge, in the direction of (b), as shown in Fig. 2.)

7 Flexible P.C board installation

- After installing the flexible P.C board and soldering the lead wires, carry out the adjustment of P. 19~29.
- If the shutter block has been disassembled, adjust it before mounting the circuit board. (P. 36)



■ Preparation for adjustments



■ Body back adjustment

- Measuring instruments : Body back gauge
: Flat plate (for 2005)
: Dial gauge

■ Adjustment procedure

Check and correct the flatness of the pressure plate contact surface before measuring the body back.

[Standard]

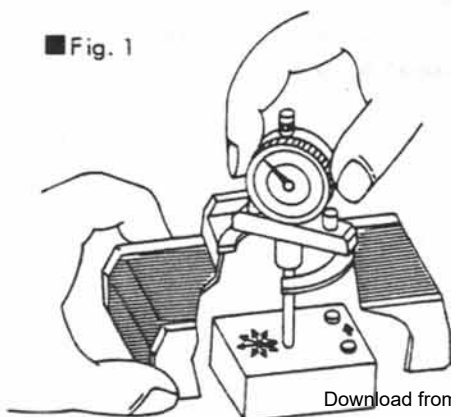
$43.72^{+0.01}_{-0.02}$ mm

- If the body back is lower than the standard value, insert adjusting washers under the bayonet mount.

[Types of adjusting washers]

Part No.	2005-1061-81	2005-1062-81	2005-1063-81
Thickness (mm)	0.02	0.05	0.1

■ Fig. 1



- If the body back is higher than the standard value, replace the bayonet mount with the bayonet mount used for repair (2017-1010-81) and adjust in combination with the adjusting washers.

The flange of the bayonet mount used for repair is 0.1 mm thinner than that of the regular bayonet mount (2017-1010-01).

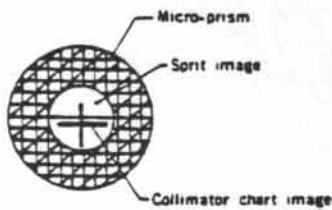
Viewfinder back adjustment

- Measuring instruments : 1000 mm collimator (Model RC-1000 I, II, III)
 : Master lens for 054 finder back adjustment (054-5202-79)
 : Magnifier

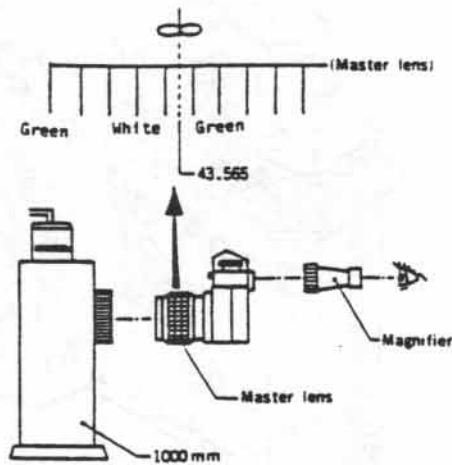
■ Adjustment procedure

- Set the camera so that the chart image is as shown in Fig. 1, and set the scale of the master lens to 43.565.
 - After setting the master lens, turn it counterclockwise to put aside the looseness to one side.

■ Fig. 1

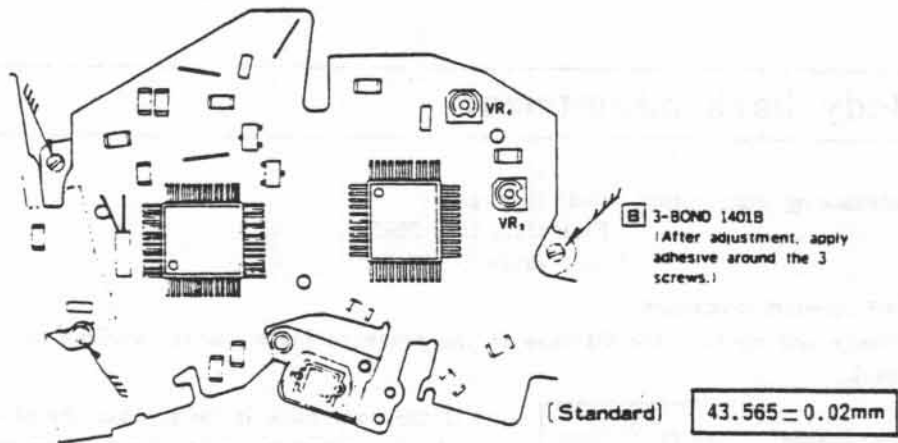


■ Fig. 2



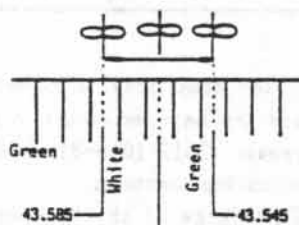
- Make sure that the scale of the master lens is positioned as shown in Fig. 2, and move the 3 adjusting screws of Fig. 3 up and down uniformly to adjust the vertical line of the chart image.

■ Fig. 3



- If the microprism is partially obscure, adjust the vertical balance by using the screws, taking care not to deflect the vertical line of the chart image.
- When the helicoid of the master lens is turned to adjust the focus after operating the shutter several times, the scale position of the master lens should be as follows:

■ Fig. 4 Allowable range



■ Check and adjustment of release lock voltage and LED blink voltage

■ Check

① Release lock voltage	Standard	$2.46 \pm 0.1 \text{ V}$
② LED blink voltage	Standard	$2.56 \pm 0.1 \text{ V}$

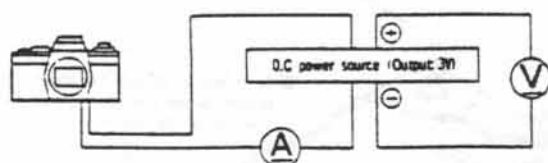
● In case of out of standard above, adjust those as following procedure.

- Measuring instruments : Constant voltage D.C power source (MODEL 524B, E-1, E-2)
 : Digital multimeter (Type 2508, 3476, 2507)
 : Direct current tester

■ Checking procedure

1. Check the current consumption at B setting (incl'd * indication) using measuring instruments as follows.

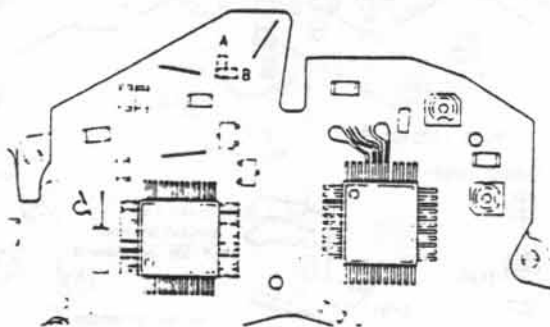
■ Fig. 1



- Camera
 Shutter dial : B
 Touch SW : ON
 Connection of : \oplus ... Battery case contact
 power source \ominus ... Batter case base plate

2. Measure the release lock voltage while reducing slowly the voltage of D.C power source from 3V.
 3. Choose a proper resistor (R_{11}) for B.C from the graph (next page) according to measured value (Checking procedure 1 & 2), and solder it on portion A or B in Fig. 2.
- Note...Measuring temperature should be within the range of $25 \pm 5^\circ \text{C}$.

■ Fig. 2



■ Checking high and low shutter speed limits

- Measuring instrument : Shutter tester (Model S-2101, FS-1DMN4)

1) High shutter speed limit (shutter speeds in other than high luminance operation in A mode.)

- Check the shutter speed with the shutter dial set to A.

Standard	0.69~1.38 ms
----------	--------------

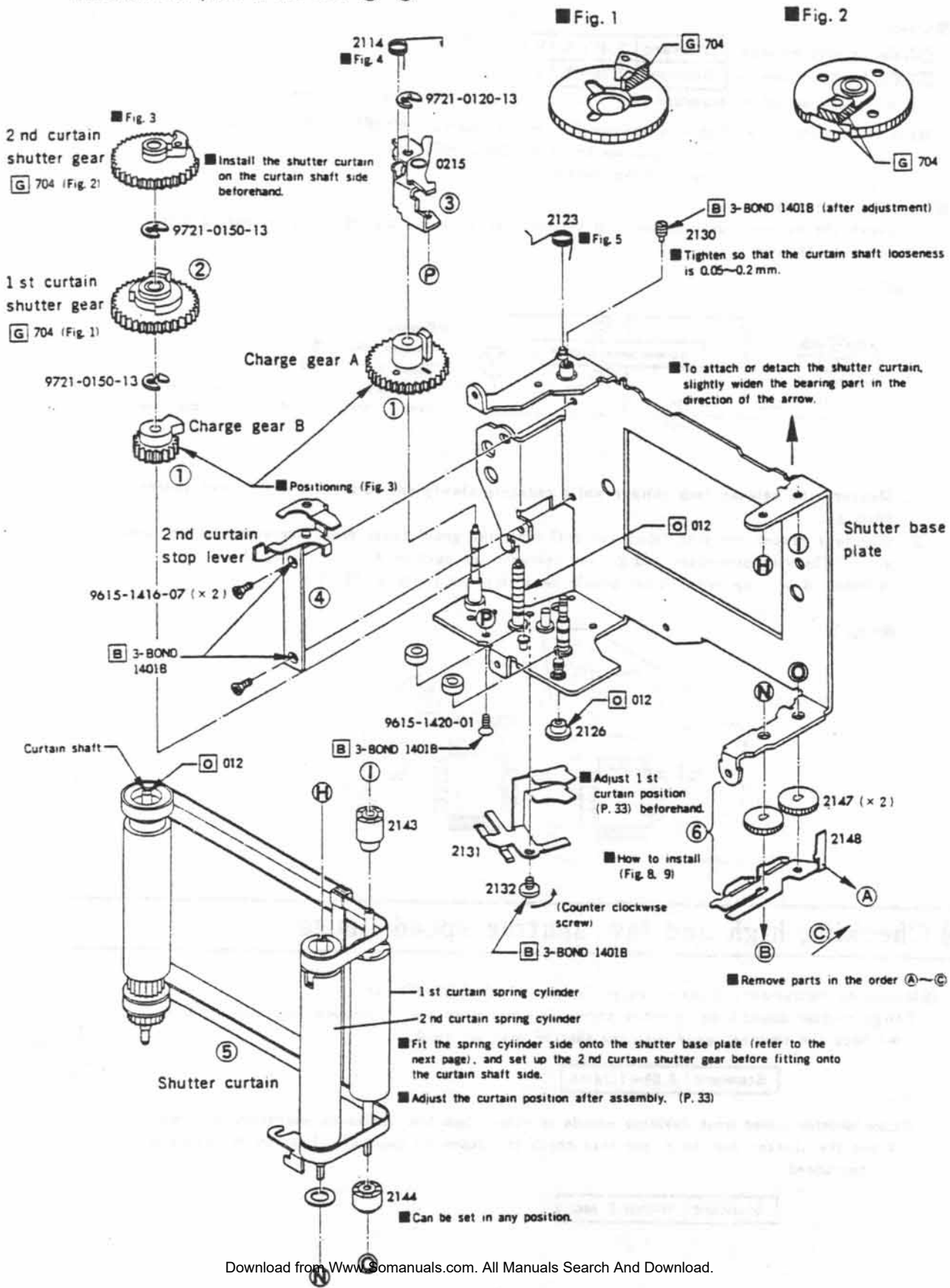
2) Low shutter speed limit (shutter speeds in other than low luminance operation in A mode.)

- Set the shutter dial to A, and then check the exposure time with light to the receiver interrupted.

Standard	Within 5 sec.
----------	---------------

Shutter assembly-I

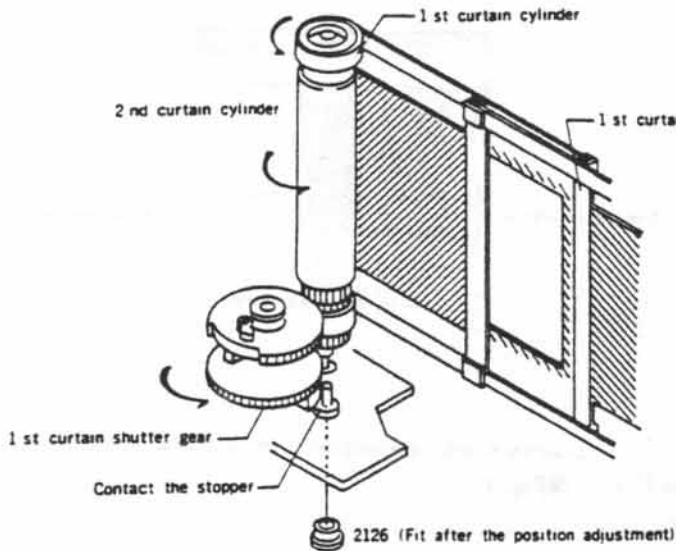
Assemble the parts in the order ①~⑥



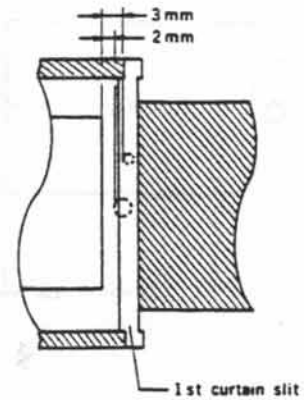
1st curtain position adjustment

1. Turn the 2nd curtain cylinder to stop the 2nd curtain halfway. (Fig. 1)
2. Turn the 1st curtain shutter gear counterclockwise until it touches the stopper. Then turn the 1st curtain cylinder counterclockwise to position the 1st curtain slit as shown in Fig. 2.

■ Fig. 1



■ Fig. 2 1st curtain position (with its travel completed)



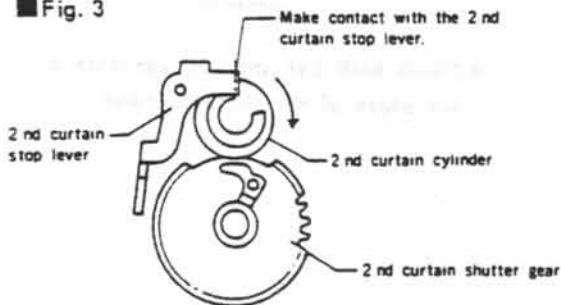
- Adjust so that the 1st curtain slit is positioned 2.5~3mm from the picture frame.

3. Holding the 1st curtain cylinder to prevent deflection of the position show in Fig. 2, fit 2126 and stop it with 2131 (curtain ribbon guide plate.....P. 31). After that, check for deflection of the position (Fig. 2)

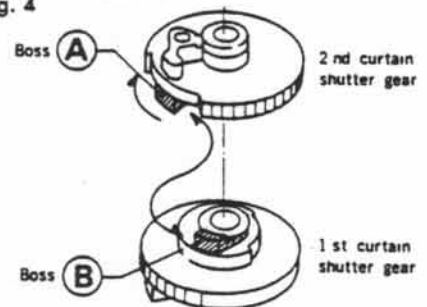
2nd curtain position adjustment

1. Shift the 2nd curtain shutter gear upward and turn it to the position shown in Fig. 3. Turn the 2nd curtain cylinder clockwise and hold it in the position shown in Fig. 3.

■ Fig. 3

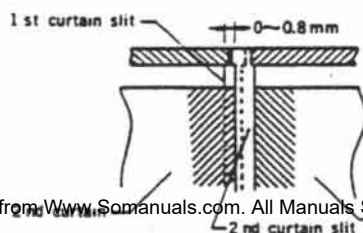


■ Fig. 4



2. Turn the 2nd curtain shutter gear (Fig. 3) clockwise while pressing it down (slightly applying a force to the 2nd curtain cylinder clockwise) so that boss A is engaged with boss B.
3. Check to be sure that the 2nd curtain slit is positioned as shown in Fig. 5.

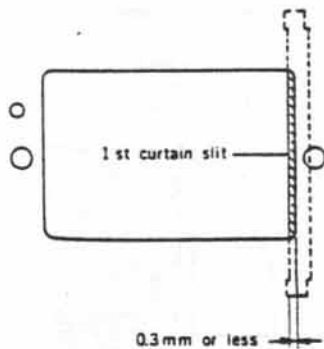
■ Fig. 5 2nd curtain position (with its travel completed)



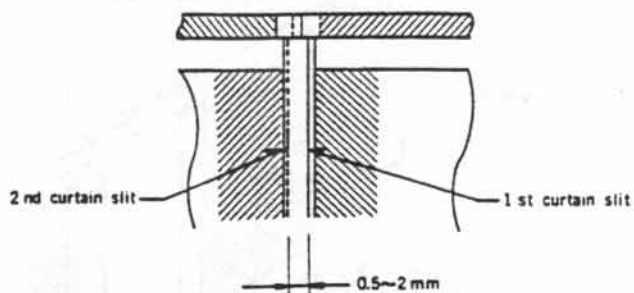
■ Checking curtain stop position (with winding completed)

① 1st curtain stop position

■ Fig. 1 (Slit remaining in picture frame)



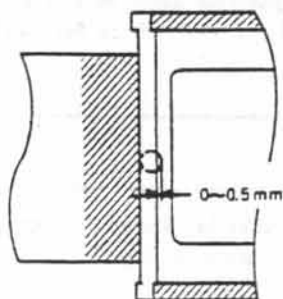
■ Fig. 2 (Overlapping of the curtains)



② 2nd curtain stop position

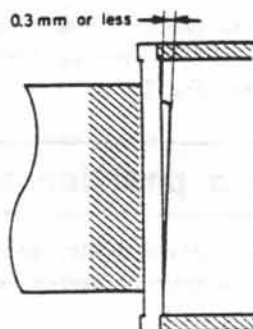
(check while letting the 1st curtain travel.)

■ Fig. 3 (Deflection from reference hole)



③ Curtain tilt (deflection from picture frame)

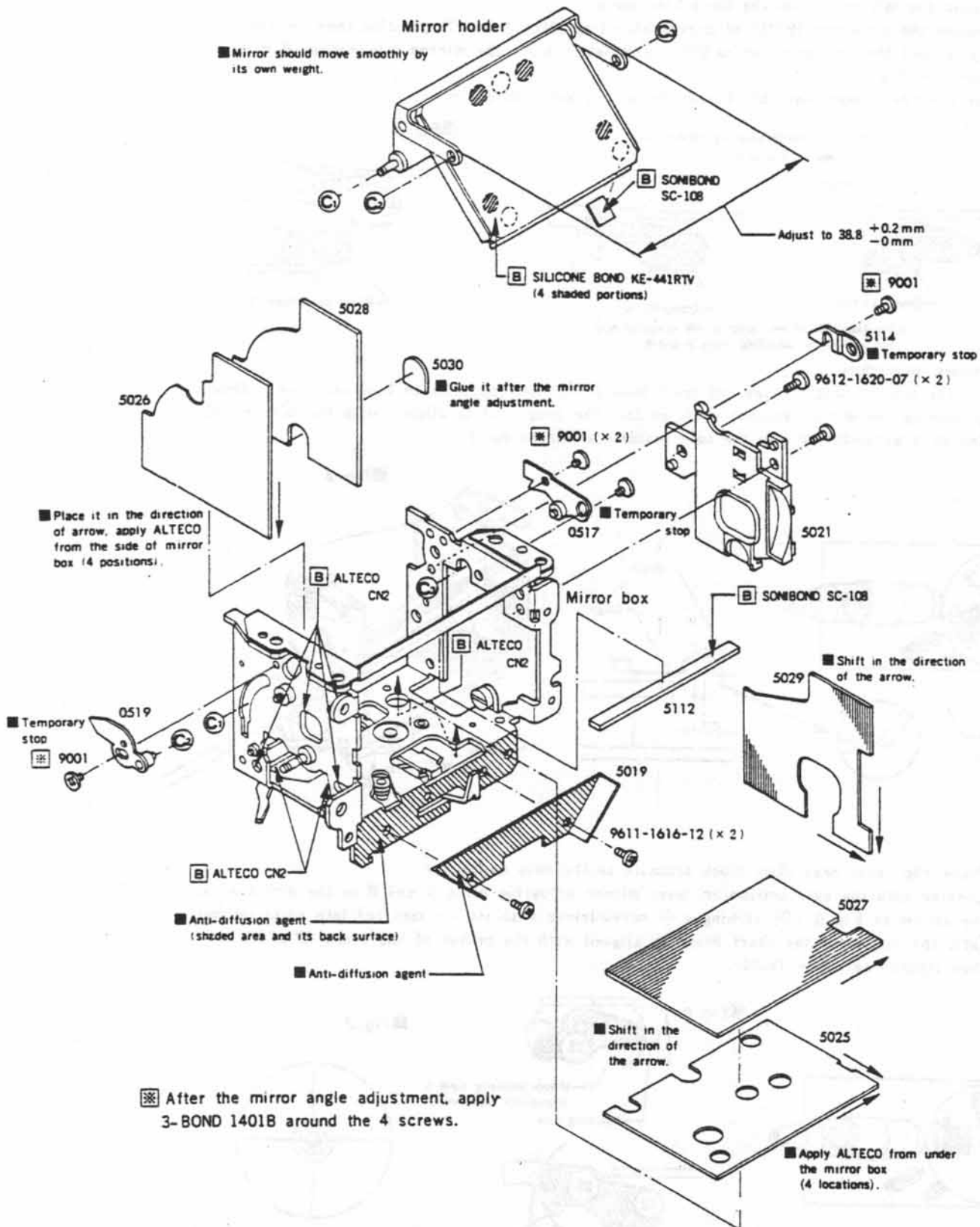
■ Fig. 4



- Check both 1st and 2nd curtains at the edges of the picture frame.

Mirror box assembly-I

- Dilute one part of anti-diffusion agent (FC-721) with ten parts of solvent (FC-77).



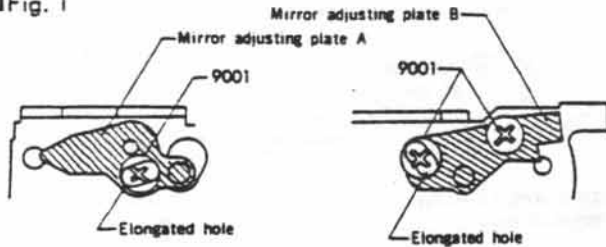
■ Mirror angle adjustment

■ Measuring instrument : Mirror angle adjuster (Model MA-III, II)

■ Preparations

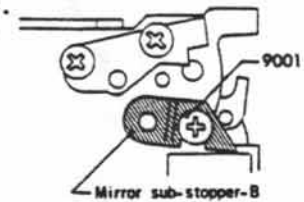
1. Mount the mirror box on the front base plate.
2. Loosen the setscrew (9001) of mirror adjusting plate A and B, position them as shown in Fig. 1, and then slightly tighten 9001. Completely shift the mirror sub-stopper-B down as shown in Fig. 2.
3. Set the front base plate block onto the mirror angle adjuster.

■ Fig. 1



● Position 9001 at the center of the elongated hole for both mirror adjusting plates A and B.

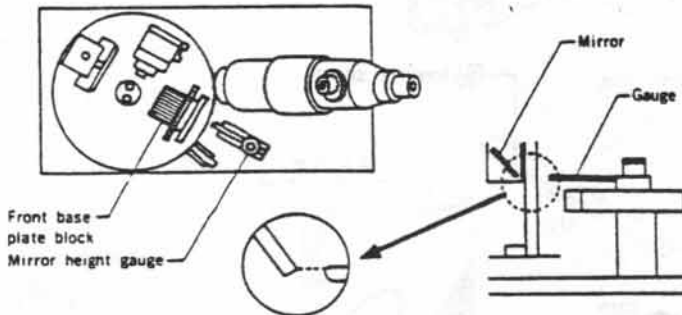
■ Fig. 2



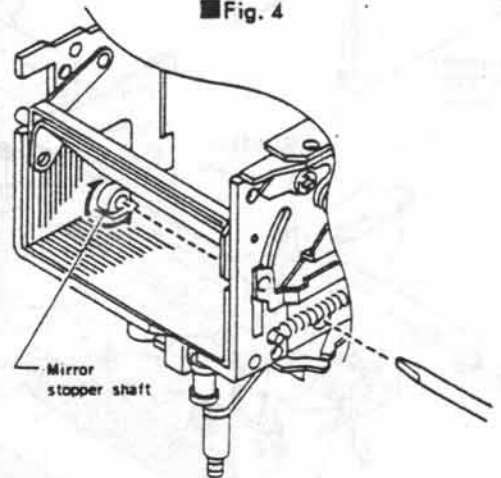
■ Adjustment procedure

1. Set the mirror height gauge and front base plate block opposite to each other and adjust by turning the mirror stopper shaft so that the gauge end is aligned with the mirror end. (Insert a screwdriver into the hole beside the mirror box.)

■ Fig. 3

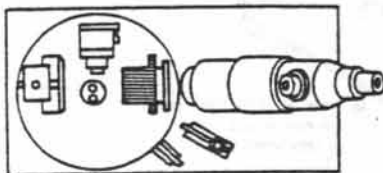


■ Fig. 4

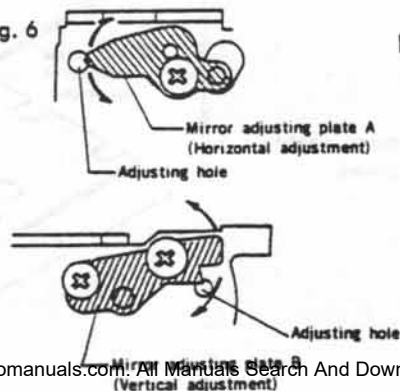


2. Place the front base plate block opposite to the auto collimator. Looking into the auto collimator, move mirror adjusting plate A and B in the direction of the arrow in Fig. 6. (By turning a ⊕ screwdriver with its tip inserted into adjusting hole) until the center of the chart image is aligned with the center of the cross (Fig. 7), and then tighten setscrew (9001).

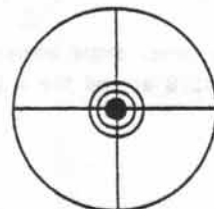
■ Fig. 5



■ Fig. 6

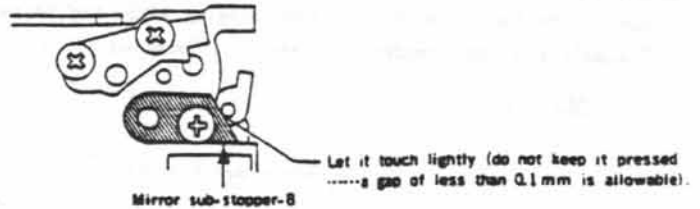


■ Fig. 7



- Push up the mirror sub-stopper-B until its end lightly touches the mirror operation lever pin, and then tighten the setscrew.

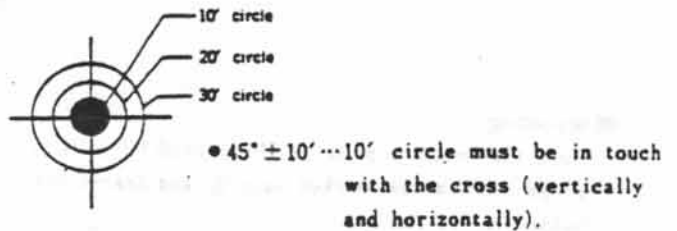
■ Fig. 8



- Operate the mirror several and make sure that the chart image is within the standard

$45^\circ \pm 10'$

■ Fig. 9



• If it is not within the standard $45^\circ \pm 10'$, perform adjustments 1-3 again.

- After completing the adjustment, apply screw-lock (3-BOND 1401B) to the screw head of mirror adjusting plates A, B, and the mirror sub-stopper, and adhere the flare prevention sheet B (5030...P. 37)

■ Sub materials

■ Grease

- # 3340
- # 335
- # 704

■ Oil

- # 012

■ Adhesives

- 3-BOND 1401B
- PLIOBOND
- SILICON-BOND KE-441RTV
- ALTECO CN2
- LOCKTITE 242
- SONIBOND SC-108

■ Cleaner

- FLONSOLVE

■ Anti-diffusion agent

- FC-721

(Dilute with solvent FC-77 by 1 : 10)

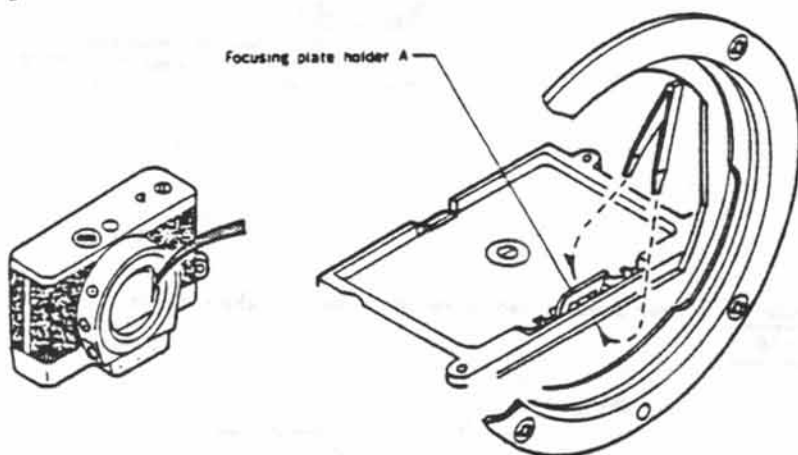
■ Focusing plate replacement procedure

■ For view finder cleaning without camera disassembly or focusing plate replacement follow the procedure given below.

■ Removal

Insert the tweezers between the focusing plate and focusing plate holder A. Slightly tilt the tweezers to raise the focusing plate for removal.

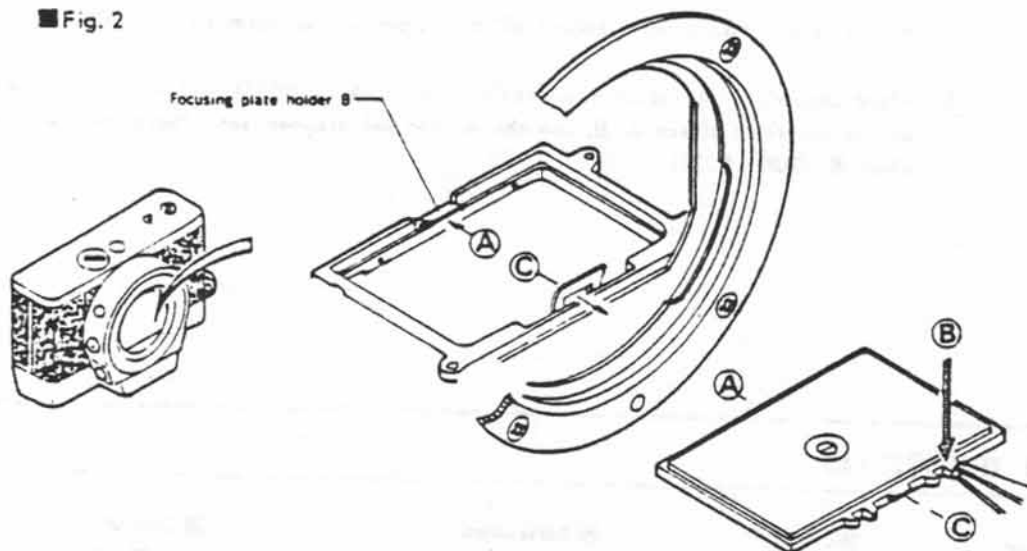
■ Fig. 1



■ Mounting

Hold the focusing plate as illustrated; fit part (A) onto the bend of focusing plate holder B; press down arrow-marked part (B); and insert projection (C) into the hold of focusing plate holder A.

■ Fig. 2



■ Mounting check

After mounting the focusing plate, check that the view finder back and EE level are correctly positioned.

TROUBLE-SHOOTING

1. Use of Trouble-shooting

1. This trouble-shooting chart describes symptoms and causes of troubles found on the camera side.
2. Even when trouble is found on the camera side, its cause is not always attributable to the malfunction of the camera in relation to the exchangeable lens, winder, motor drive and exclusive flash. Therefore, use this trouble-shooting chart upon confirmation of trouble on the camera after checking combined performance with the accessories according to claim contents.

2. Description

1. Trouble described here is due to a single case only. Trouble due to a plurality of causes should be checked collectively on the basis of the causes listed in this chart.
2. This trouble-shooting deals mainly with electrical causes, as well as covering part of mechanical causes.

3. Servicing Precautions

1. Type 2507 digital multimeter is basically used for measurement. Any other kind of measuring instrument, however, may be used, if its minimum input impedance is more than $10M\Omega$.
2. Use this tester for voltage checks and a tester of less than 3 V for measuring conduction.
3. Trouble is most unlikely to occur in electronic parts, such as ICs, diodes, transistors, resistors, and capacitors. Therefore, check the cause of trouble, with the focus on the defective soldering of lead wires and electrical parts, and switching contacts.
4. When checking soldered or plated parts, avoid pressing the parts or pulling lead wires unnecessarily.
5. Since voltage measuring parts are narrow, mount a pin or something similar at the tip of an alligator clip for measurement.
6. When measuring switching patterns, special care should be taken so that the patterns outside switch operation are free from flaws. For switch contacts, measure their base, which is not directly affected by contact pressure.
7. Be sure to turn off the power switch before removing electrical parts (when a constant-voltage regulated power supply is used).
8. The ideal temperature range for the soldering iron tip is 290°C to 340°C . If the temperature is higher, however, perform soldering quickly. Also, be sure to clean the chip when soldering.

4. Description on Trouble-shooting Table and Trouble-shooting Chart

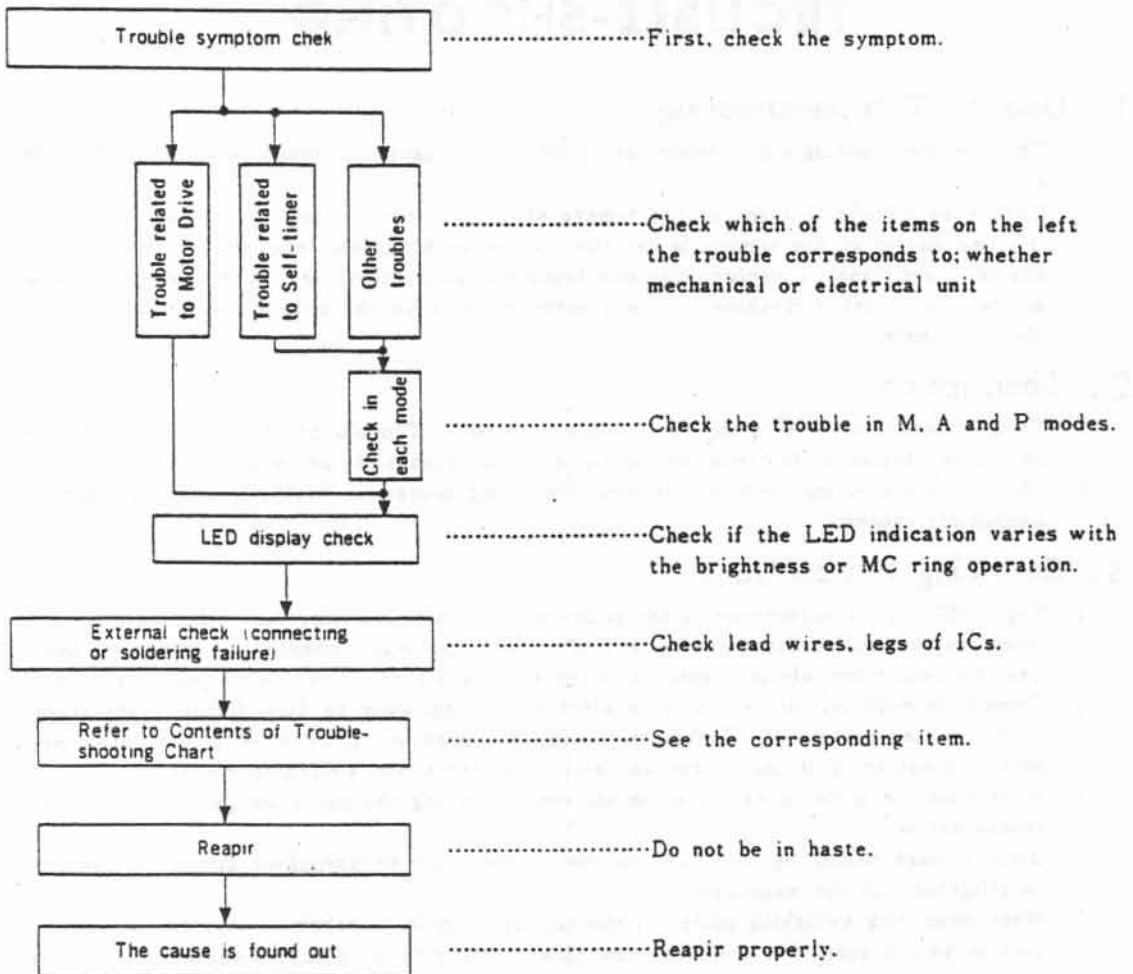
4-1. Trouble-shooting Table

1. From symptom, trouble cause can be found.
2. The Trouble-shooting Table combines the "INDEX" and summary of details of "Trouble-shooting Chart".
Accordingly, use those properly as the needs of the case demand.

4-2. Trouble-shooting Chart

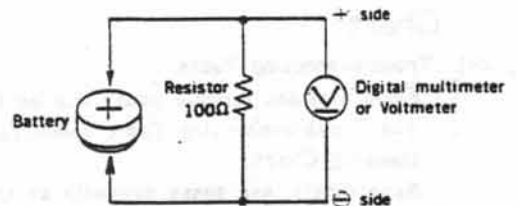
1. The chart presents the checkpoints to be followed from the symptom to finding the cause of trouble.
2. The voltage for each checkpoint is the value when SW_0 or SW_1 is ON upon completion of film winding (before releasing). It is a potential difference from \rightarrow of power supply.
3. For all trouble symptoms other than "Electromagnetic release does not operate," check their cause, assuming that the electromagnetic release operates properly.
4. The chart shows the check in the is done by operation and in the by measurement.

5. Repair procedure



6. Battery Capacity Check

1. A 100Ω resistor is paralleled with the battery at normal temperature ($25 \pm 25^\circ\text{C}$), as illustrated. A digital multimeter or voltmeter is connected to the battery in parallel to the resistor to measure the voltage. In this case, be sure to perform quick measurement.
2. The battery, with its voltage more than 1.4 V, is regarded as normal.



for Trouble-shooting Table/Chart

I. Trouble related mechanism (Winding and shutter releasing are impossible).....P. 6, 7

- A Returning winding lever to original position after winding completion, shutter curtains return to position of shutter released.
- B Appearing of shutter curtain slit.
- C Charge operation plate set does not return at winding completed.
- D Others

For the cause or repairing method related mechanism trouble, refer to Trouble-shooting Chart.

★Explanation of Trouble-shooting Table

1. ○ of number of SW. or Lead Wire shows.....Shortcircuit with GND.
(e.g. SW-④.....Shortcircuit SW₄ and GND)
2. ○ of IC or Others shows shortcircuit between..... * IC pins.
* Joint part and printed wiring.
(e.g. IC₁ ④①.....Shortcircuit IC₁ 40 and 41
SPC ①A-K.....Shortcircuit SPC anode and cathode)
3. ○ of others shows..... Shortcircuit by elements failure.
4. Only numeral without any marks shows;
For SW.....Contact failure.
Others.....Cold soldering or disconnection.

II. Trouble related electro unit

Symptom	Cause	Page	SW	Lead Wire	VR	SL	R	C	Q	J (Jump lead)	IC-1	IC-2	OTHERS	
Shutter release failure	No LEDs light, shutter is not released...Release impossible even with Main SW. (S ₄) ON→OFF→ON operation.	8	6	22(Red)					1	2	37, ④①	21, 29, ①①-①② ④③-④④ ④④-④⑤	Joint part a-c XL	
	LEDs remain light, and shutter is not released with release SW.(S ₂) ON...Release impossible even with Main SW.(S ₄) ON→OFF→ON operation.	8	2, ④	④①(Yellow) ④③(Grey)			12		4	4, 5		43		
	With release SW.(S ₂) ON, LEDs go out, but shutter is not released...Release impossible, and LEDs light with Main SW.(S ₄) ON→OFF→ON operation.	8		④②(Green) SL ₁ (Green, White, ④①②)		1	7	7	2			10, 11	15	
	Shutter is not released with remote control SW.(S ₁₁) ON...Release possible with operating button operation.	9		④⑩(Grey) ④⑨(Black)										
	Shutter is not released even though self-timer LED lights with metering SW. (S ₂ or S ₁) ON...No finder LEDs light.	9									1	39		
	Main SW.(S ₄) ON makes shortcircuit, resulting in shutter release impossible and no lighting LEDs.	9			④③(Red)									Joint part ①b-c
	Main SW.(S ₄) and metering SW.(S ₂ or S ₁) ON make shortcircuit, resulting in release impossible and no LEDs lighting.	9						⑨	④					
	After shutter releasing with Main SW.(S ₄) ON→OFF→ON, release impossible and no LEDs light.	9	4	21(Yellow)									42, ④⑤-④⑥	
Finder indication failure	Shutter is released when winding up.	9	②, ①②	④⑩(Grey), ④⑨(Grey) ④⑧(Grey)										Remote control shortcircuited
	LEDs light and, shutter release is impossible with Main SW.(S ₄) OFF.	9												Joint part ①a-c
	No LEDs light with metering SW.(S ₂ or S ₁) ON...Shutter operates normally.	10	0, 1	35(Brown)				9					37, 49	Joint part 1
	No LEDs light with metering SW.(S ₂ or S ₁) ON...Shutter stays open with self-timer LED ON when released.	10											14	
	Only "M" does not light.	10											50, ④⑨-④⑩	Joint part 2
	Part of LEDs does not light.	10											1~9, 50~56	Joint part 2~17
	Self-timer LED lights with Main SW.(S ₄) ON.	10		④⑨(Grey)								①②-①③		
	LEDs light with Main SW.(S ₄) ON.	10	① ①④	④②(Yellow) ④⑤(Brown)										
	LEDs light by Main SW.(S ₄) ON with shutter speed dial set at 30~1000 or A.	10											④⑥-④⑦	
	When voltage is under specified B.C voltage, shutter release lock does not operate with LEDs ON...No mode LED blinks.	11										3	23	
When decreasing voltage, mode LED remains ON; does not blink...No LEDs light when release locked.											2	24		

Symptom		Cause	Page	SW	Lead Wire	VR	SL	R	C	Q	J (Jump lead)	IC-1	IC-2	OTHERS		
Shutter failure	Shutter curtains travel in high speed, or without slit	LED indication is normal. Shutter curtains travel without slit in M and A modes.	11		13(Red) 14(White)		2			3	3		30			
		In A mode shutter operates in high speed with Δ blinking. (1) LED indication remains the same when changing AV, film speed and luminance.	11		7 (Green) ⑦(Green)	1 (SV) 4 5		3	3 9			6, 8, 14, 17, 27, 28, 29, 33 ④-⑤ ⑤-⑥ ⑥-⑦ ⑦-⑧ ⑬-⑭ ⑭-⑮ ⑮-⑯ ⑳-㉑ ㉒-㉓ ㉔-㉕	17 19			
		(2) LED indication remains the same only when changing AV.	12		3 (Orange)	②(AV)										
		(3) LED indication remains the same only when film speed changing.	12		6 (Brown)											
		(4) LED indication does not change in accordance with luminance.	12										⑳-㉑		SPC 1- A-K	
		LEDs are normal. In M and A modes shutter curtains travel without slit when set to high speed.	12	3	15(Orange)									12		
	Shutter remains open	Shutter remains open	In A and M modes, shutter speed remains 1/60 with LEDs "M" and "1/60" lighting.	12											Looseness of auto lock button guide (2017-9018-01)	
			LED indication is normal. Occasional high shutter speed under darkness.	12									7	18		
			LED indication is normal. Shutter stays open in M and A modes...Slow shutter speed limit, 4 sec., does not operate.	13	③	⑩(White), ⑪(Orange)								④①-④②	④⑤-④⑥	
			In A mode, shutter stays open with ▽ blinking...Slow shutter speed limit does not operate. (1) LED indication remains the same when AV, film speed, and luminance changing.	13		4 (Blue), ④(Blue) ⑤(Brown), ⑥(Brown)	2(AV) 6		4					15, 16, 21, 22, 25, 26, 30, 34 ⑧-⑨ ⑬-⑭ ⑲-㉓ ㉔-㉕		Crack of SPC 1 AV resistor plate
		Others	(2) LED indication remains the same only when changing AV.	13		5 (Brown)										
			In A mode, LED indication and shutter speed operate as slow shutter speed...Over exposure. (1) LEDs and shutter speed remain the same only when film speed changing.	14		8 (Orange) ⑥-⑦ ③-④	1(SV)							④⑨-④⑩		
			(2) LEDs and shutter speed remain the same when AV and film speed changing.	14		⑥-⑧ ③-⑤								32		
			In M mode, shutter does not operate in accordance with speed set by shutter speed dial...LEDs indicate operating shutter speed.	14												Refer to Trouble-shooting Chart
Excessive deflection of LED indication and shutter speed from AV and film speed setting.	14		③(Orange) ⑧(Orange)													
Self-timer failure	Shutter release without delay...No self-timer LED blinks.	15	10	11(Blue)									40	Looseness of self-timer P.C board screw		
	Shutter release without delay...Self-timer LED blinks after shutter release.	15										④⑨-④⑩	④⑮-④⑯			
	Shutter release with delay for 10-sec....No self-timer LED blinks.	15		16(Grey), 17(Green)			6					9, 12	16	Shortcircuit between anode of LD-17 and GND		
	Shutter release impossible with self-timer...Self-timer LED does not blink.	15										13				
	Shutter operates in high speed with self-timer in A mode.	15										④⑧-④⑨	④⑮-④⑯			
	Shutter release with delay for 10-sec., locking AE.	15											④⑩-④⑪	Shortcircuit of printed wiring on self-timer P.C board		
	Self-timer operates always.	15	⑩	⑩(Blue)												
AE lock failure	AE lock does not operate.	16	14	12(Yellow)									41	Looseness of self-timer P.C board screw		
	AE lock operates always.	16	⑭	⑭(Yellow)												
	AE lock operates only after shutter release...Shutter release is impossible with AE lock SW. locked.	16											④①-④②			

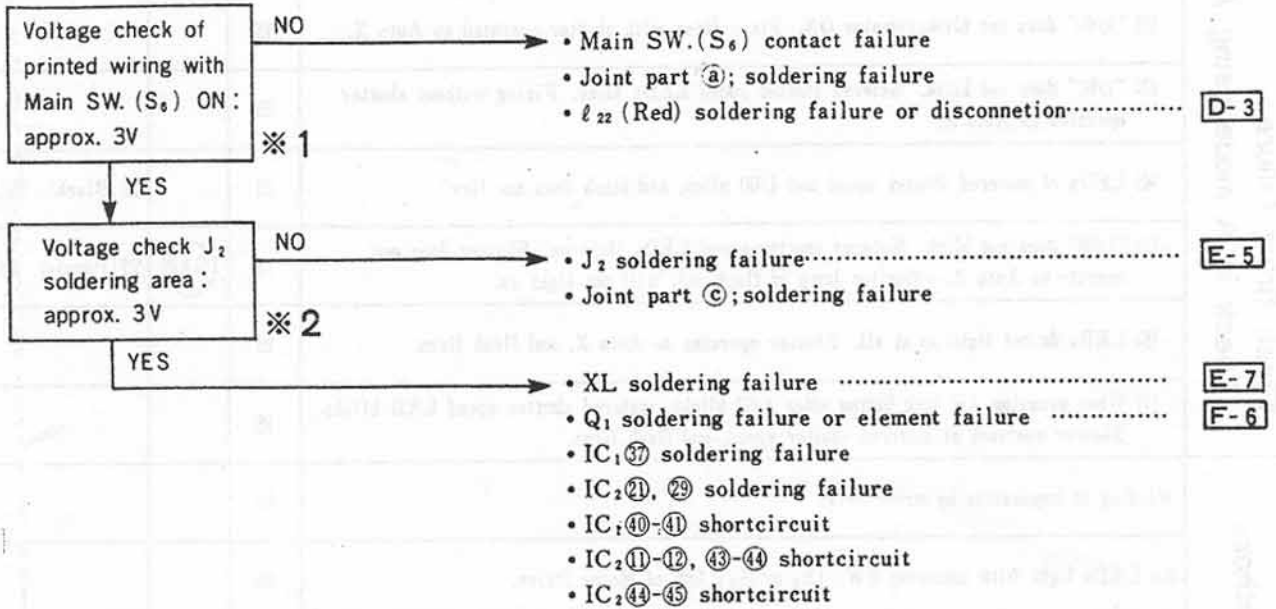
Symptom		Cause	Page	SW	Lead Wire	VR	SL	R	C	Q	J (Jump lead)	IC-1	IC-2	OTHERS	
Flash firing failure (Check in A mode using AEF 200X)	LED indication is normal with flash fully charged. But flash does not fire properly. (1) Flash does not fire. Shutter stays open.		15	SX2	27(Purple), 28(Purple)							20, 22, 20-21 21-22		F ₁ terminal	
	LED indication failure with flash fully charged. (1) "1/60" does not blink. Metered shutter speed LEDs light on. Shutter does not operate as Auto X.		15		30(White) Ⓢ							1, 41	25	F ₂ terminal	
	(2) "1/60" does not blink; remains ON. Flash fires with shutter operated as Auto X.		15									43	27		
	(3) "1/60" does not blink. Metered shutter speed LEDs blink. Firing without shutter operated as Auto X.		15									44	26		
	(4) LEDs of metered shutter speed and 1/60 blink, and flash does not fire.		15		25(Black), 26(Black)									Ground is not connected at hot shoe	
	(5) "1/60" does not blink. Metered shutter speed LEDs light on. Shutter does not operate as Auto X. Monitor lamp of flash unit will not light up.		15	ⓈSX2	27(Purple), 28(Purple)										
	(6) LEDs do not light up at all. Shutter operates as Auto X, and flash fires.		15										43-44		
(7) When pressing AE lock button after 1/60 blinks, metered shutter speed LED blinks. Shutter operates at metered shutter speed, and flash fires.		15											31		
Others	Winding is impossible by motor drive.		16										48	W ₂ terminal	
	No LEDs light with metering SW. (S ₀ or S ₁) ON of Motor Drive.		16										47	W ₁ terminal	
	Shutter is not released by Motor Drive.		17											W ₂ terminal	

■ Trouble related to electro unit

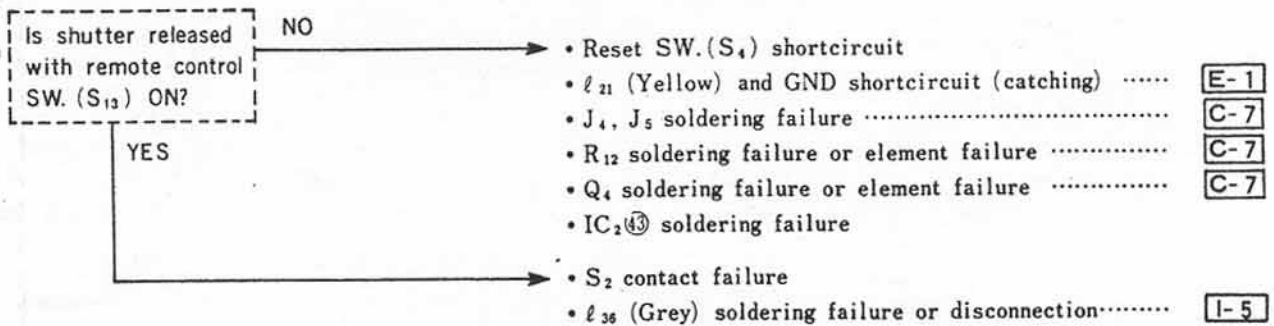
- ※1~※10 show the check point on the diagram left.
- **A-6** or the like on the right shows the position (coordinate) on the schematic wiring diagram (P. 21).

A Shutter release failure

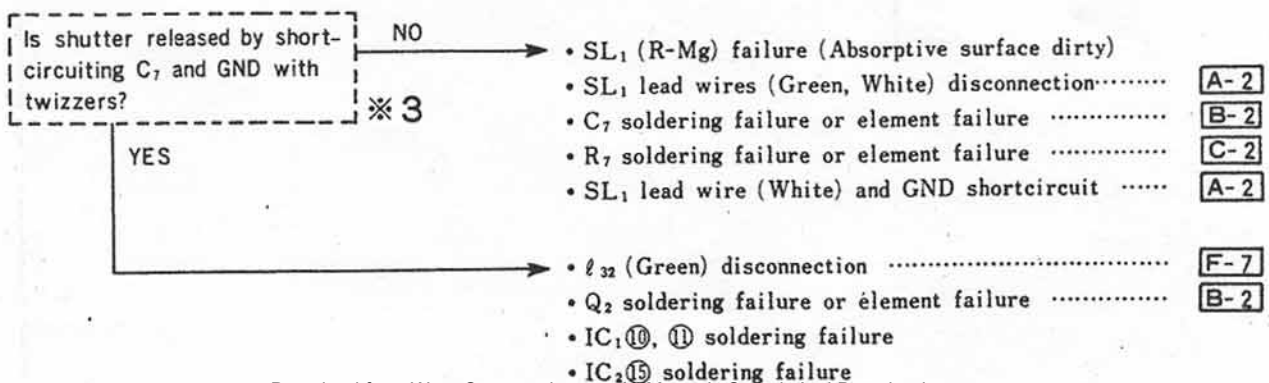
- ① No LEDs light, shutter is not released...Release impossible even with Main SW. (S₆) ON→OFF→ON operation.

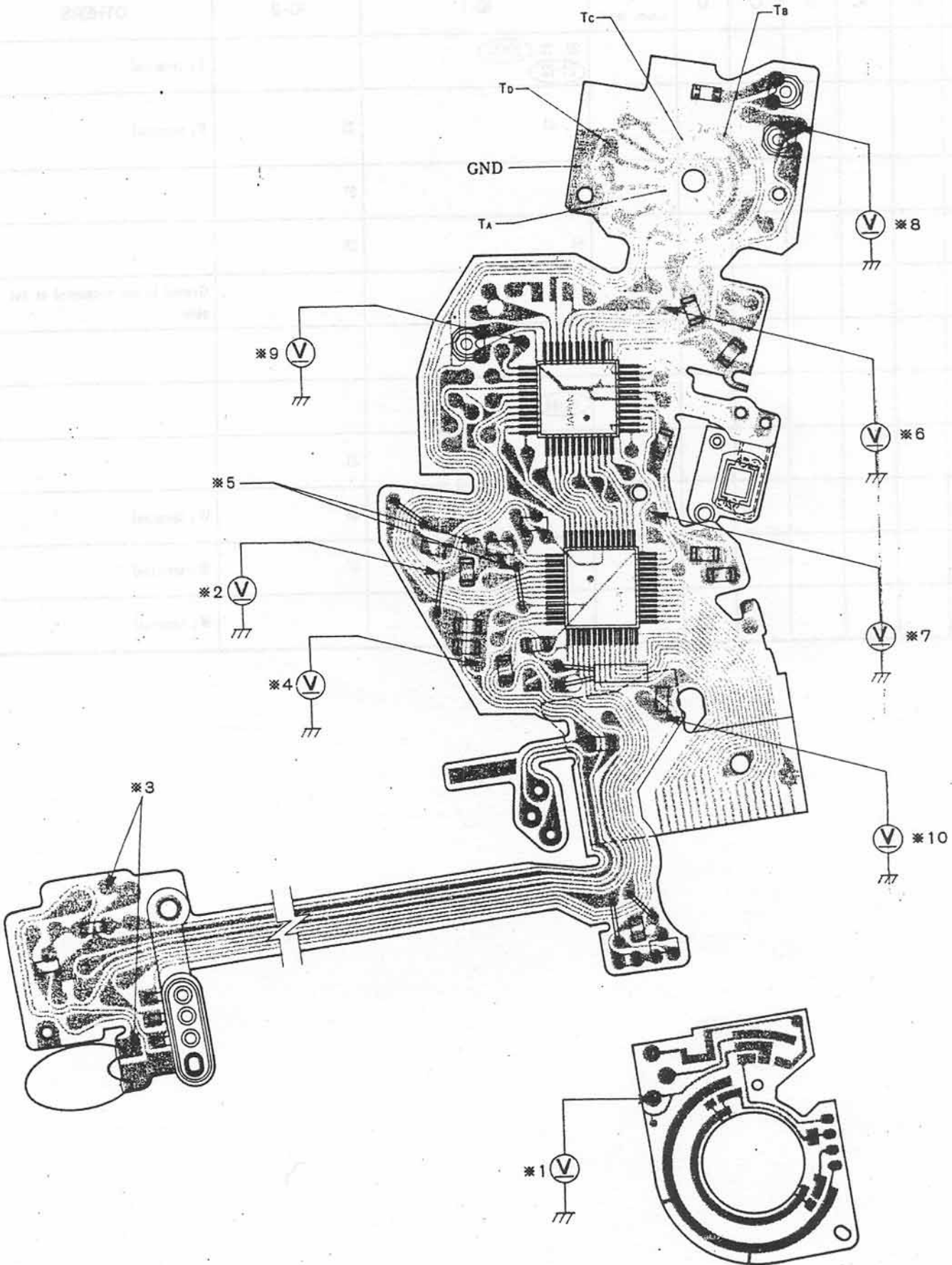


- ② LEDs remain light, and shutter is not released with release SW. (S₂) ON.....
(Release impossible even with Main SW. (S₆) ON→OFF→ON operation.)



- ③ With release SW. (S₂) ON, LEDs go out, but shutter is not released.....
(Release impossible, and LEDs light with Main SW. (S₆) ON→OFF→ON operation.)



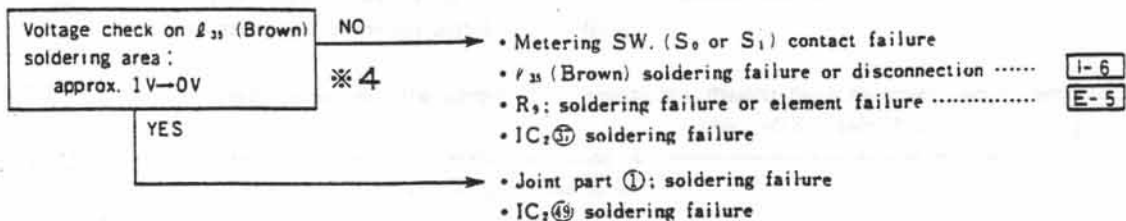


- 4 Shutter is not released with remote control SW. (S₁₃) ON
(Release possible with operating button operation.)
 → • l₁₀ (Grey) soldering failure or disconnection **D-4**
 • l₂₉ (Black) soldering failure or disconnection **D-4**
- 5 Shutter is not released even though self-timer LED lights with metering SW. (S₀ or S₁) ON
No finder LEDs light.
 → • J₁ soldering failure **F-5**
 • IC₁ ⑬ soldering failure
- 6 Main SW. (S₄) ON makes shortcircuit, resulting in shutter release impossible and no lighting LEDs.
 → • The joint parts b) - c) shortcircuit
 • l₁₃ (Red) and GND shortcircuit **K-5**
- 7 Main SW. (S₄) and metering SW. (S₀ or S₁) ON make shortcircuit, resulting in release impossible and no LEDs lighting.
 → • R₀ shortcircuit **E-5**
 • C₄ shortcircuit **E-5**
- 8 After shutter releasing with Main SW. (S₄) ON→OFF→ON, release impossible and no LEDs light.
 →

Normal shutter speed when releasing	→	• Reset SW. (S ₄) contact; contact failure • l ₂₁ (Yellow) soldering failure or disconnection..... E-1 • IC ₂ ⑫ soldering failure
Shutter curtains travel without slit when releasing.	→	• IC ₂ ④⑤-④⑥ shortcircuit
- 9 Shutter is released when winding up.
 → • Release SW. (S₂) shortcircuit
 • l₁₀ (Grey) and GND shortcircuit **D-4**
 • SL-1 (R-Mg): defective (attraction failure)
 • l₂₆ (Grey) and GND shortcircuit **I-5**
 • Remote control terminal shortcircuit
- 10 LEDs light and, shutter release is impossible with Main SW. (S₄) OFF.
 → • Joint parts a) - c) shortcircuit
- 11 Shutter is released only once, after turning main switch ON
 (when slower shutter speed LED 1/30-1 sec glows).
 → • SL-2 (S-Mg) shortcircuit
 • C₄ shortcircuit **E-5**

B Finder indication failure

- (1) No LEDs light with metering SW. (S_0 or S_1) ON
 (Shutter operates normally.)



- (2) No LEDs light with metering SW. (S_0 or S_1) ON
 Shutter stays open with self-timer LED ON when released.

→ • IC_2 (14) soldering failure

- (3) Only "M" does not light.

→ • Joint part ②; soldering failure
 • IC_2 (50) soldering failure
 • IC_2 (49) - (50) shortcircuit

- (4) Part of LEDs does not light.

Check soldering failure of IC_2 , flexible P.C board... joint part referring to the table below.

Finder LED	M	A	△	1000	500	250	125	60	30	15	8	4	2	1	▽	B
IC_2 pin No.	(50)	(51)	(52)	(53)	(54)	(55)	(56)	(1)	(2)	(3)	(4)	(5)	(6)	(7)	(8)	(9)
Joint part No.	2	3	4	5	6	7	8	9	10	11	12	13	14	15	16	17

- (5) Self-timer LED lights with Main SW. (S_4) ON.

→ • P_{16} (Grey) and GND shortcircuit I-4
 • IC_1 (12) - (13) shortcircuit

- (6) LEDs light with Main SW. (S_4) ON.

→ • Metering SW. (S_0 or S_1) and GND shortcircuit
 • AE lock SW. (S_{14}) and GND shortcircuit
 • P_{12} (Yellow) and GND shortcircuit I-3
 • P_{33} (Brown) and GND shortcircuit I-6

- (7) LEDs light by Main SW. (S_4) ON with shutter speed dial set at 30~1000 or A.

→ • IC_2 (56) - (57) shortcircuit

8] When voltage is under specified B.C voltage, shutter release lock does not operate with LEDs ON.....No mode LED blinks.

- IC₁ ③ soldering failure
- IC₂ ⑭ soldering failure

9] When decreasing voltage, mode LED remains ON; does not blinkNo LEDs light when release locked.

- IC₁ ② soldering failure
- IC₂ ⑭ soldering failure

C] Shutter failure

C-1 Shutter curtains travel in high speed, or without slit

1] LED indication is normal. Shutter curtains travel without slit in M and A modes.

Does shutter fully open when releasing with ℓ_{14} (white) and J_2 short-circuited?

- NO
- ℓ_{13} (Red) soldering failure or disconnection **K-5**
 - ℓ_{14} (White) soldering failure or disconnection **I-4**
 - SL₂ (S-Mg) absorptive surface dirty
 - SL₂ (S-Mg) absorptive surface failure.
 - The 2nd curtain stop lever spring is off

- YES
- J₂ soldering failure **E-6**
 - Q₃ soldering failure or element failure **F-6**
 - IC₂ ⑩ soldering failure
 - IC₂ ⑩-⑪ shortcircuit

2] In A mode shutter operates in high speed with Δ blinking.

(1) LED indication remains the same when changing AV, film speed and luminance.

Voltage check on soldering area of ℓ_7 (Green) : 0.9~1.1V

- NO
- SV contact: contact failure
 - ℓ_7 (Green) soldering failure or disconnection **C-9**
 - ℓ_7 (Green) and GND shortcircuit..... **C-9**
 - VR₄ soldering failure or element failure..... **G-5**
 - IC₁ ⑮, ⑲, ⑳: soldering failure

- YES
- IC₁ ⑥, ⑧, soldering failure
 - IC₂ ⑰, ⑱ soldering failure

Is 288mV adjustment possible corresponding to A/D conversion standard voltage adjustment?

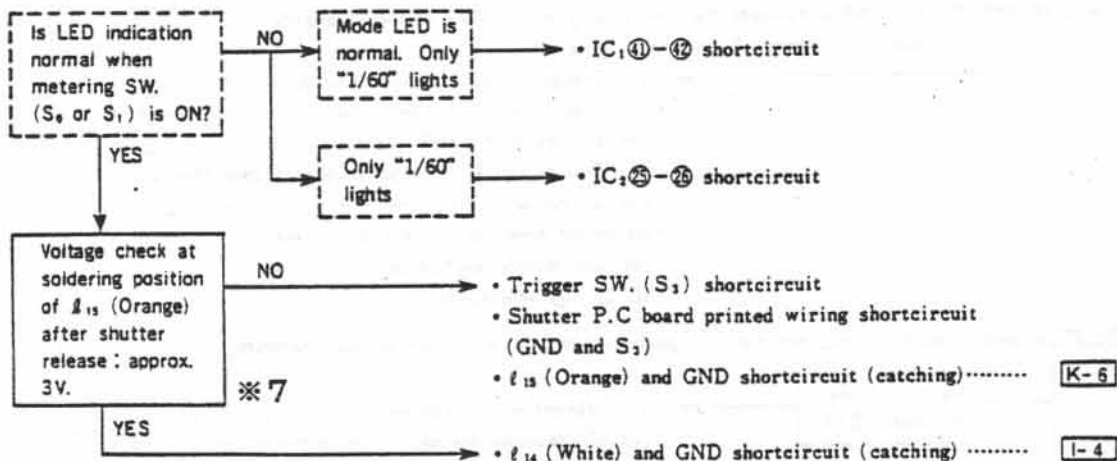
- NO
- R₃ soldering failure or element failure **I-7**
 - VR₃ soldering failure or element failure..... **J-8**
 - IC₁ ⑳, ㉑ soldering failure

- YES
- C₃ soldering failure **F-7**
 - C₃ soldering failure **G-7**
 - IC₁ ⑬ soldering failure
 - IC₁ short-circuited between pins
 - ①-(⑤), ⑤-(⑥), ⑥-(⑦), ⑦-(⑧), ⑬-(⑭), ⑬-(⑮), ⑰-(⑱), ⑲-(⑳), ⑳-(㉑), ㉑-(㉒)

- (2) LED indication remains the same only when changing AV
Check by rotating aperture ring.
 → • l_3 (Orange) soldering failure or disconnection **F-4**
 • MC brush deformed (Printed wiring short-circuited)
- (3) LED indication remains the same only when film speed changing
Check by rotating film speed ring.
 → • l_6 (Brown) soldering failure or disconnection **C-8**
- (4) LED indication does not change in accordance with luminance
Check by changing luminance.
 → • BPC_1 A and K shortcircuit **F-8**
 • IC_1 ①-② shortcircuit
- (3) LEDs are normal. In M and A modes shutter curtains travel without slit when set to high speed.Normal at slow speed
 → • Trigger SW. (S_3) contact failure
 • l_{15} (Orange) soldering failure or disconnection **K-6**
 • l_{15} (Orange) connected to the next printed wiring
 (IC_1 ③) by mistake **K-6**
- (4) In A and M modes, shutter speed remains 1/60 with LEDs "M" and "1/60" lighting.
 → • Looseness of earth plate (2023-4002) screw on TV P.C board.
 • GND contact at TV SW.; contact failure
- (5) LED indication is normal. Occasional high shutter speed under darkness.
 → • IC_1 ⑦ soldering failure
 • IC_2 ⑧ soldering failure

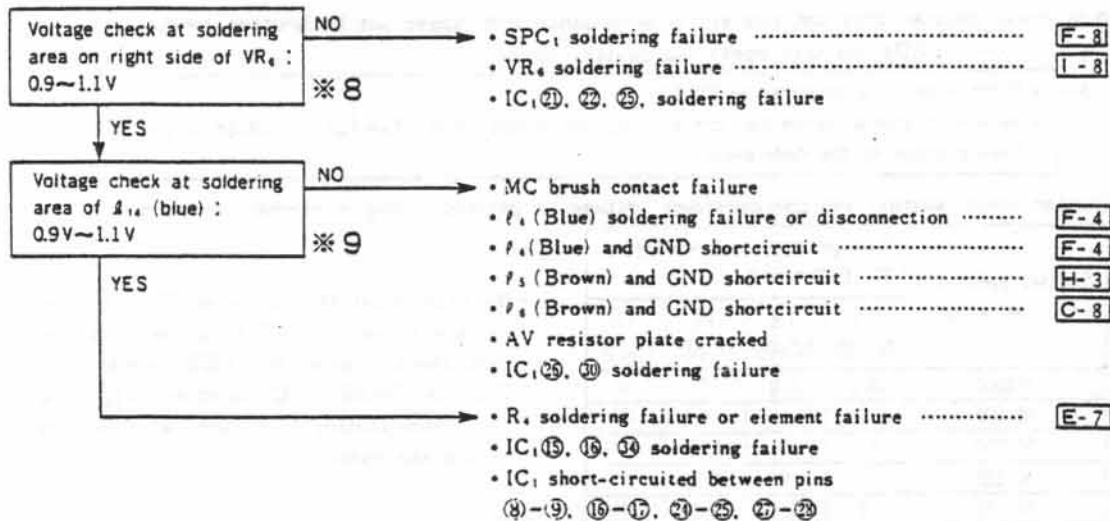
C-2 Shutter remains open

① LED indication is normal. Shutter stays open in M and A modes
Slow shutter speed limit, 4 sec., does not operate.



② In A mode, shutter stays open with ▽ blinking

(1) LED indication remains the same when AV, film speed, and luminance changing.



(2) LED indication remains the same only when changing AV

.....Check by rotating aperture ring.



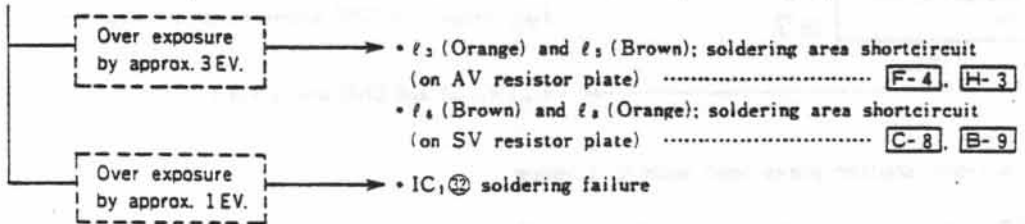
C-3 Others

① In A mode, LED indication and shutter speed operate as slow shutter speed
Over exposure.

(1) LEDs and shutter speed remain the same only when film speed changing
Check by turning film-speed ring.

- ℓ_3 (Orange) soldering failure or disconnection
- ℓ_3 (Orange) and ℓ_4 (Blue); soldering area shortcircuit (on AV resistor plate) **F-4**, **G-4**
- ℓ_4 (Brown) and ℓ_7 (Green); soldering area shortcircuit (on SV resistor plate) **C-8**, **B-9**
- Deformed brush on SV resistor plate (printed wiring shortcircuit)
- IC₁ ②③-⑤⑥ shortcircuit

(2) LEDs and shutter speed remain the same when AV and film speed changing.



② In M mode, shutter does not operate in accordance with speed set by shutter speed dial
LEDs indicate operating shutter speed.

- Check if brush is deformed on TV SW.
- By turning shutter speed dial, check voltage of printed wiring (T_A~T_D) or voltage IC₂ ③③~③⑤. Then compare to the table below.

Shutter speed setting and corresponding voltage on printed wiring in normal condition.

Shutter speed and LED indication	Voltage of printed wiring on TV P.C board			
	T _A IC ₂ ③⑤	T _B IC ₂ ③④	T _C IC ₂ ③③	T _D IC ₂ ③⑥
M1000	3.0	3.0	0	0
M 500	3.0	0	0	0
M 250	3.0	0	3.0	0
M 125	0	0	3.0	0
M 60	0	3.0	3.0	0
M 30	0	3.0	0	0
M 15	0	3.0	0	3.0
M 8	3.0	3.0	0	3.0
M 4	3.0	0	0	3.0
M 2	0	0	0	3.0
M 1	0	0	3.0	3.0
B	0	3.0	3.0	3.0
A	3.0	3.0	3.0	0

- By brush contact failure on TV SW, the voltage becomes 3.0V resulting in different shutter speed and LED indication.
- Replace flexible P.C board set with new one, when shutter is failure with voltage within the range.

③ Excessive deflection of LED indication and shutter speed from AV and film speed setting.

- ℓ_3 (Orange) and GND shortcircuit **F-4**
- ℓ_8 (Orange) and GND shortcircuit **B-9**

D Self-timer failure

1 Shutter release without delay

.....No self-timer LED blinks.

- Self-timer SW. (S₁₀) contact failure
- ℓ_{11} (Blue) soldering failure or disconnection **H-4**
- Looseness of self-timer plate screw
- IC₁⑩ soldering failure

2 Shutter release without delay

.....Self-timer LED blinks after shutter release.

- IC₁⑨-⑩ shortcircuit
- IC₂⑮-⑯ shortcircuit

3 Shutter release with delay for 10-sec

.....No self-timer LED blinks.

Voltage check at soldering
area of ℓ_{17} (Green) :
approx. 3.0V

NO

※ 10

- R₄ soldering failure or element failure **D-7**
- Shortcircuit between self-timer LED (anode) and GND

YES

- ℓ_{16} (Grey) soldering failure or disconnection **I-4**
- ℓ_{17} (Green) soldering failure or disconnection **K-6**
- LD₁₇ (self-timer LED) failure
- IC₁⑨, ⑫ soldering failure
- IC₂⑰ soldering failure

4 Shutter release impossible with self-timer

.....Self-timer LED does not blink.

- IC₁⑬ soldering failure

5 Shutter operates in high speed with self-timer in A mode.

- IC₁⑧-⑨ shortcircuit
- IC₂⑰-⑱ shortcircuit

6 Shutter release with delay for 10-sec., locking AE.

- Self-timer plate printed wiring shortcircuit
- IC₂⑳-㉑ shortcircuit

7 Self-timer operates always.

- Self-timer SW. (S₁₀) deformation.
(Shortcircuit between GND and printed wiring)
- ℓ_{11} (Blue) and GND shortcircuit (catching) **H-4**

Ⓔ AE lock failure

① AE lock does not operate.

- AE lock SW. (S₁₄) contact failure
- ℓ_{12} (Blue) soldering failure or disconnection 1-3
- Looseness of self-timer plate screw
- IC₂④; soldering failure

② AE lock operates always.

- AE lock SW. (S₁₄) deformation
(Shortcircuit between GND and printed wiring)
- ℓ_{12} (Yellow) and GND shortcircuit (catching) 1-3

③ AE lock operates only after shutter release

.....Shutter release is impossible with AE lock SW. locked.

- IC₂④-⑫ shortcircuit

F Flash firing failure. (Check in A mode using AEF 200X)

[1] LED indication is normal with flash fully charged. But flash does not fire properly.

(1) Flash does not fire. Shutter stays open.

- X contact (SX₂); contact failure
- F₁ terminal contact failure
- ℓ₂₇ (Purple) soldering failure or disconnection.....
- ℓ₂₈ (Purple) soldering failure or disconnection.....

D-4

H-4

[2] LED indication failure with flash fully charged.

(1) "1/60" does not blink. Metered shutter speed LEDs light on. Shutter does not operate as Auto X.

- F₂ terminal contact failure
- ℓ₂₉ (White) soldering failure or disconnection
- ℓ₂₉ (White) and GND shortcircuit (catching).....
- IC₁ ①, ④ soldering failure
- IC₂ ⑤ soldering failure

F-4

F-4

(2) "1/60" does not blink; remains ON. Flash fires with shutter operated as Auto X.

- IC₁ ⑬ soldering failure
- IC₂ ⑰ soldering failure

(3) "1/60" does not blink. Metered shutter speed LEDs blink. Firing without shutter operated as Auto X.

- IC₁ ⑬ soldering failure
- IC₂ ⑰ soldering failure

(4) LEDs of metered shutter speed and 1/60 blink, and flash does not fire.

- Ground is not connected at hot shoe
- ℓ₂₅ (Black) soldering failure or disconnection
- ℓ₂₆ (Black) soldering failure or disconnection

K-5

H-4

(5) "1/60" does not blink. Metered shutter speed LEDs light on. Shutter does not operate as Auto X. Monitor lamp of flash unit will not light up.)

- X contact (SX₂) shortcircuit
- ℓ₂₇ (Pink) and GND shortcircuit (catching)
- ℓ₂₈ (Pink) and GND shortcircuit (catching)

D-4

H-4

(6) LEDs do not light up at all. Shutter operates as Auto X, and flash fires.

- IC₁ ①-④ shortcircuit

(7) When pressing AE lock button after 1/60 blinks, metered shutter speed LED blinks. Shutter operates at metered shutter speed, and flash fires.

- IC₂ ⑱ soldering failure

G Failure with Motor Drive using

① Winding is impossible by motor drive.

- W₂ contact failure
- W₂ riveting failure or soldering failure
- IC₂ ④ soldering failure

② No LEDs light with metering SW. ON of Motor Drive.

- W₁ contact failure
- W₁ riveting failure or soldering failure
- IC₂ ④ soldering failure

③ Shutter is not released by Motor Drive.

- W₂ contact failure
- W₂ riveting failure or soldering failure

■ Trouble related mechanism

(Winding and shutter releasing are impossible).

A. Returning winding lever to original position after winding completion, shutter curtains return to position of shutter released.

- Under-charge—Adjust the shutter charge following 2024 Service Manual Repair Guide P. 16.
- Looseness of winding shaft riveting (0338)→Replace winding shaft.

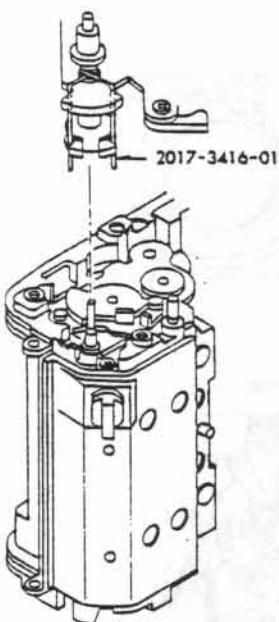
B. Charge operation plate set does not return at winding completed.

- Winding operation lever does not work properly.
 - Clean the winding operation lever and the holder. Fig. 1
 - Adjust the spring (3416) shape or replace it.
- (Stiff
Disconnection of SP.
Deformation of SP.)

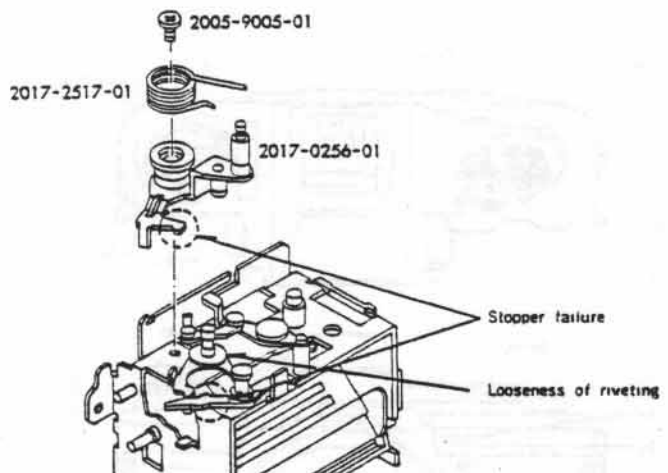
C. Others

- Charge lever bent. → Adjust or replace.
- Disconnection of charge lever from charge roller. → Adjust or replace the charge lever and charge roller.
- Disengagement of mirror holder rivet. → Replace the mirror holder. (Adjust and check the mirror angle)
- Foreign particle on the mirror holder.
- MP return lever set (0256) stopper failure. } Fig. 2
- Looseness of MP return lever riveting shaft.

■ Fig. 1

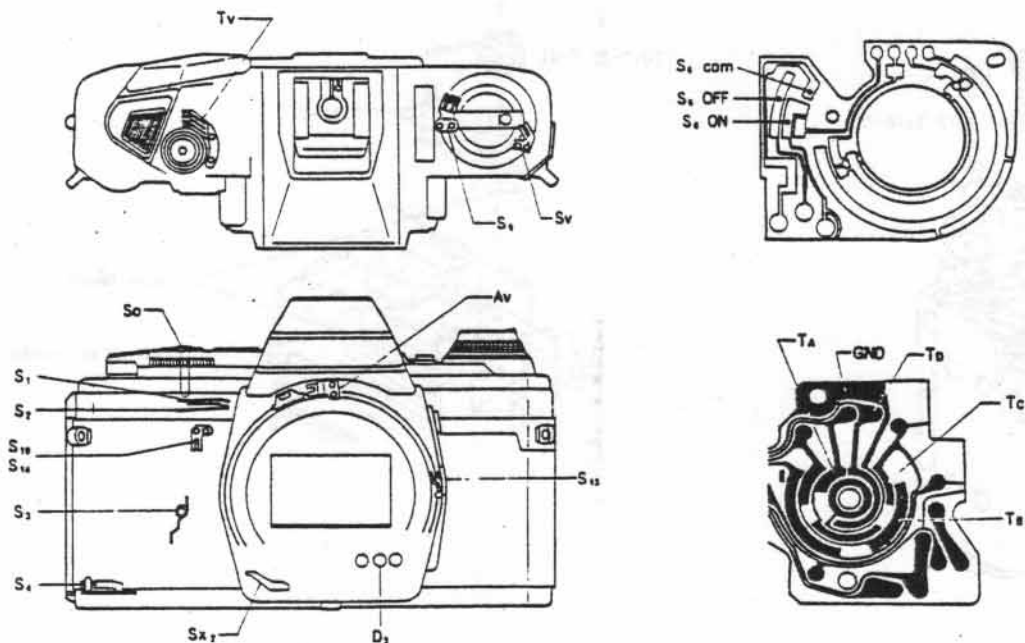


■ Fig. 2



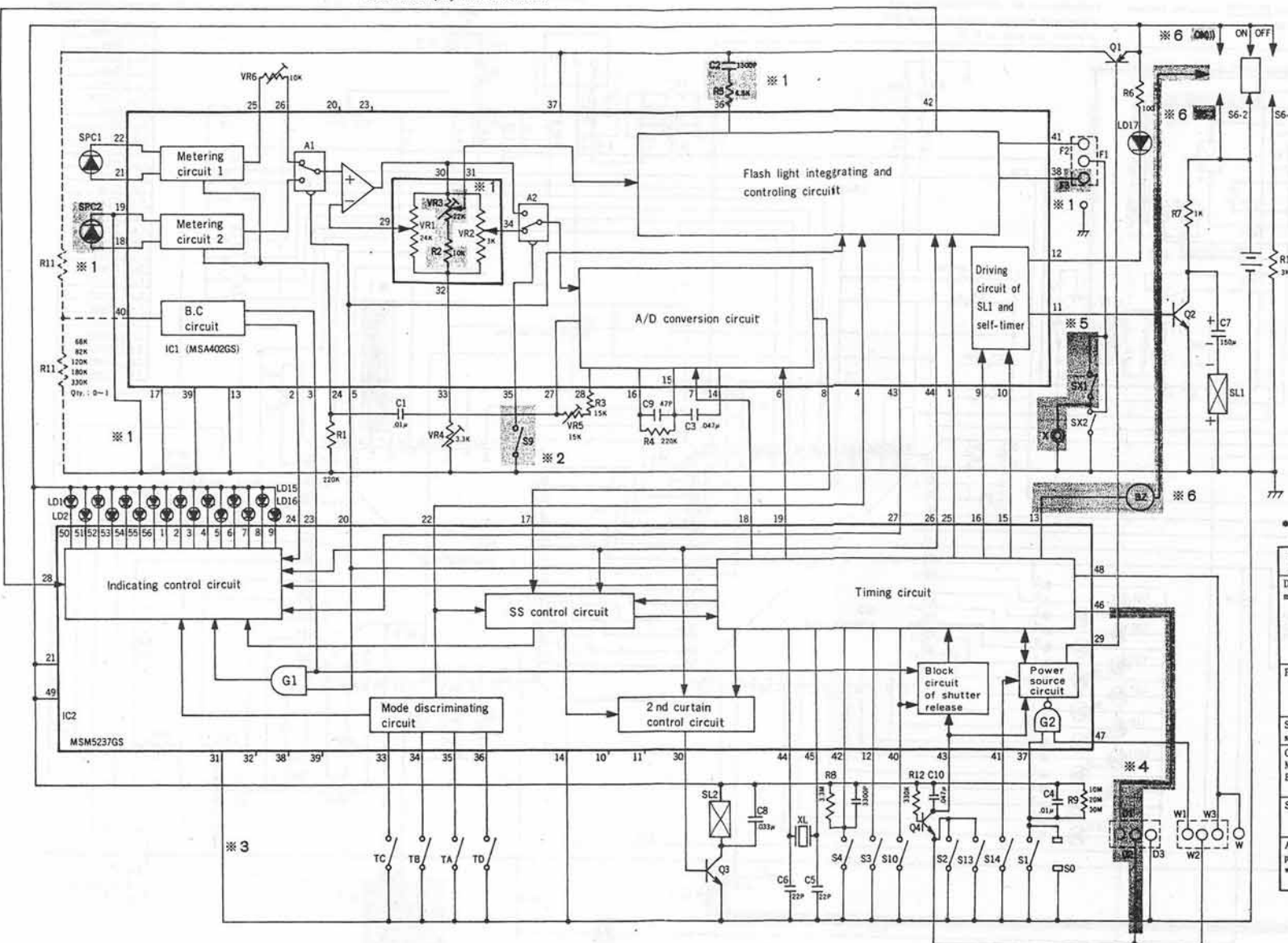
■ Operation of switches

Mark	Name	Function	Condition of operation
S ₀	Touch switch	Setting metering and calculating circuit to ON, lighting finder LEDs.	ON by touching operating button.
S ₁	Metering switch	The same as S ₀ .	ON by depressing operating button.
S ₂	Release switch	Starting of circuits operating.	
S ₃	Trigger switch	Counting start of exposure time with OFF.	OFF right after shutter operation start.
S ₄	Reset switch	<ul style="list-style-type: none"> ● Prevention against error during winding. ● Reset of circuit. ● Control of motor drive. 	OFF with winding completed. ON with preset mech. returning after 2nd curtain travelled.
S ₆	Main switch	<ul style="list-style-type: none"> ● ON/OFF of circuit power source. ● Power supplying. 	Operating of main switch lever.
S ₁₀	Self-timer switch	Setting circuit components to self-timer mode.	ON by pulling up self-timer lever.
S ₁₃	Remote control switch	The same as S ₂ .	
S ₁₄	AE lock switch	<ul style="list-style-type: none"> ● Holding of exposure value and indication. ● Slow synchronization using exclusive flash. 	ON by pushing the self-timer lever down.
Sx ₂	X contact	Firing of flash.	ON with 1st curtain travelled completely. OFF with 2nd curtain travelled completely.
T _A T _D	TV switch	<ul style="list-style-type: none"> ● Circuit changing of A. M. B. mode. ● LED light changing of A. M. B. mode. 	By turning shutter speed dial.



X-300
X-370 Circuit Diagram

⬜: Circuit provided with ⬜ shows the exclusive circuit for X-500/-570; X-300/-370 does not employ relevant circuit.



• Differences from X-500/-570 circuit

Discontinued specifications	Modification of circuit	Circuit diagram
Direct autofocus metering	• Discontinuity of electrical components: SPC2, VR3, R2, RS, C2, F3 terminal, F31. • Disconnection of IC1 pins: IC1-①, ②, ③, ④.	※ 1
Preview button	• Discontinuity of electrical components: S3, f9. • Disconnection of IC1-⑤.	※ 2
Slow-shutter sync	• IC2-⑥ and GND are connected.	※ 3
Connection with Multi-Function Back	• Discontinuity of electrical components: D1, D2, f18, f20. • Disconnection of IC2-⑦.	※ 4
Sync terminal	• Discontinuity of electrical components: SX1, Sync terminal, f29.	※ 5
Audible piezoelectric warning	• Discontinuity of electrical components: f31, BZ. • Disconnection of IC2-⑧.	※ 6

Symbol	Name	Symbol	Name	Symbol	Name	Name	Function	Name	Function	Name	Function	Name	Function	Name	Function	Name	Function						
S ₂	Touch SW	S ₂	Main SW ON	Sx1	X contact	IC ₁	Metering, calculation, A/D conversion, flash control, and others	SL ₁	Shutter magnet SV setting	R ₉	Touch SW adjustment	Q ₁	Prevention against error using MD ₁	C ₁	Prevention against touch SW noise	C ₂	Prevention against counter-electromotive force of SL ₁	C ₁₁	Prevention against release signal chattering	W ₁	MD ₁ metering signal	F ₁	Firing of flash
S ₁	Metering SW	S ₁	Self-timer SW	Ta	TV SW	IC ₂	Timing control, SS control, indication	VR ₁	AV setting	R ₁₁	B.C lock voltage adjustment	C ₁	Power source response	C ₁	X ₁ oscillation	C ₁	Prevention against IC ₁ oscillation	C ₁₁	Prevention against error using winder LC oscillator	W ₂	MD ₁ release signal	F ₂	Flash ready signal
S ₃	Release SW	S ₃	Remocon SW	Td	TO SW	VR ₂	144mV adjustment	VR ₂	144mV adjustment	Q ₁	Driving	C ₁	S ₁ driving	C ₁	S ₁ driving	C ₁	S ₁ driving	C ₁₁	Prevention against error using winder LC oscillator	W ₂	MD ₁ winding signal	W	Winder contact
S ₄	Heat SW	S ₄	AE lock SW			VR ₃	AE level adjustment	VR ₃	AE level adjustment	Q ₂	SL ₁ driving	Q ₂	SL ₁ driving	Q ₂	SL ₁ driving	Q ₂	SL ₁ driving	C ₁₁	Prevention against error using winder LC oscillator	D ₁	Release signal		
S ₅	Main SW OFF	S ₅	Charg SW			VR ₄	AE level adjustment	VR ₄	AE level adjustment	Q ₃	SL ₁ driving	Q ₃	SL ₁ driving	Q ₃	SL ₁ driving	Q ₃	SL ₁ driving	C ₁₁	Prevention against error using winder LC oscillator	D ₂	Release signal		
S ₆	Main SW ON	S ₆	Charg SW			VR ₅	AE level adjustment	VR ₅	AE level adjustment	Q ₃	SL ₁ driving	Q ₃	SL ₁ driving	Q ₃	SL ₁ driving	Q ₃	SL ₁ driving	C ₁₁	Prevention against error using winder LC oscillator	D ₃	GND contact		

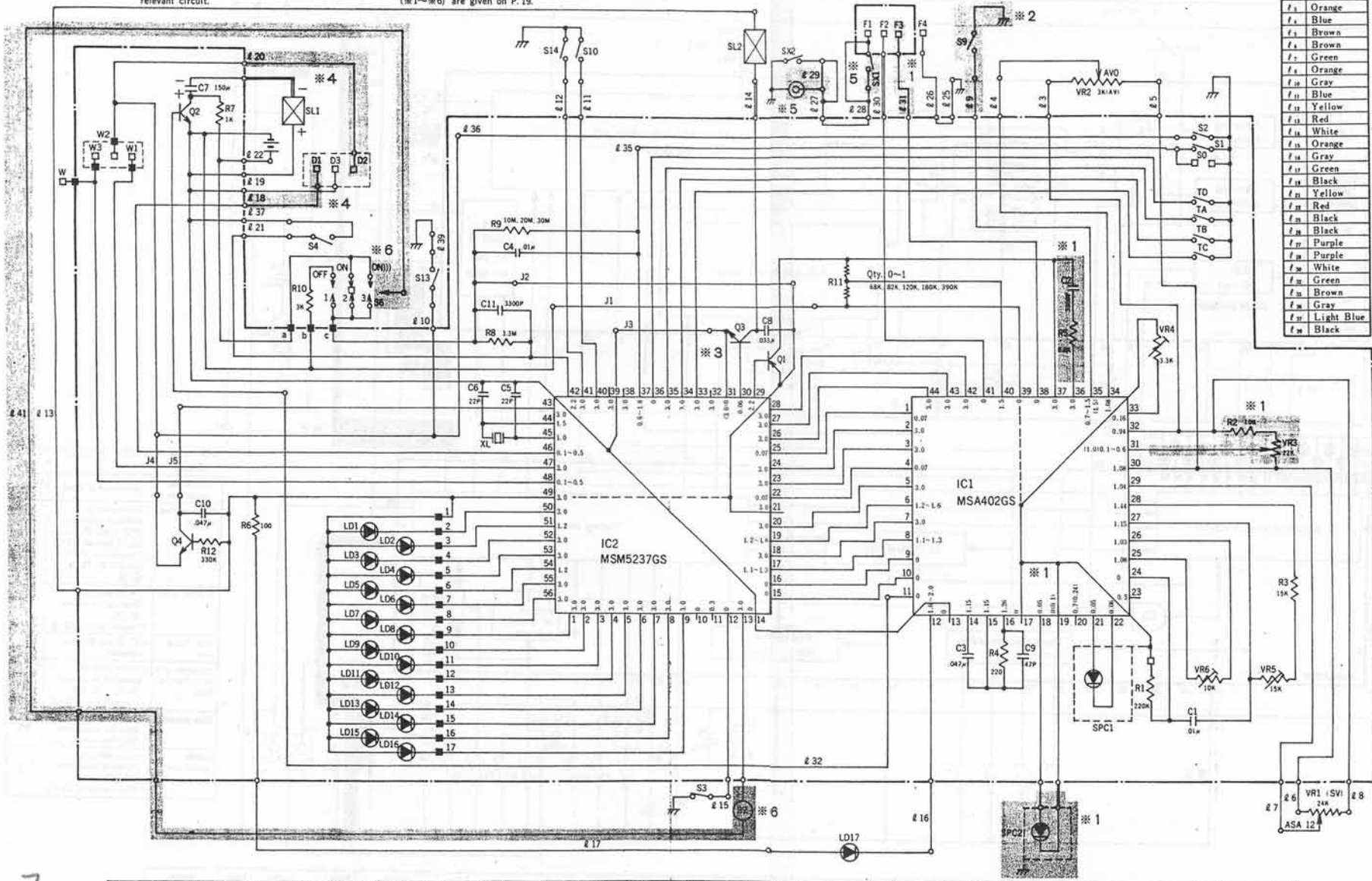
X-300 X-370 Substantial Circuit Diagram

○ : Flexible P.C board set
 □ : Shield

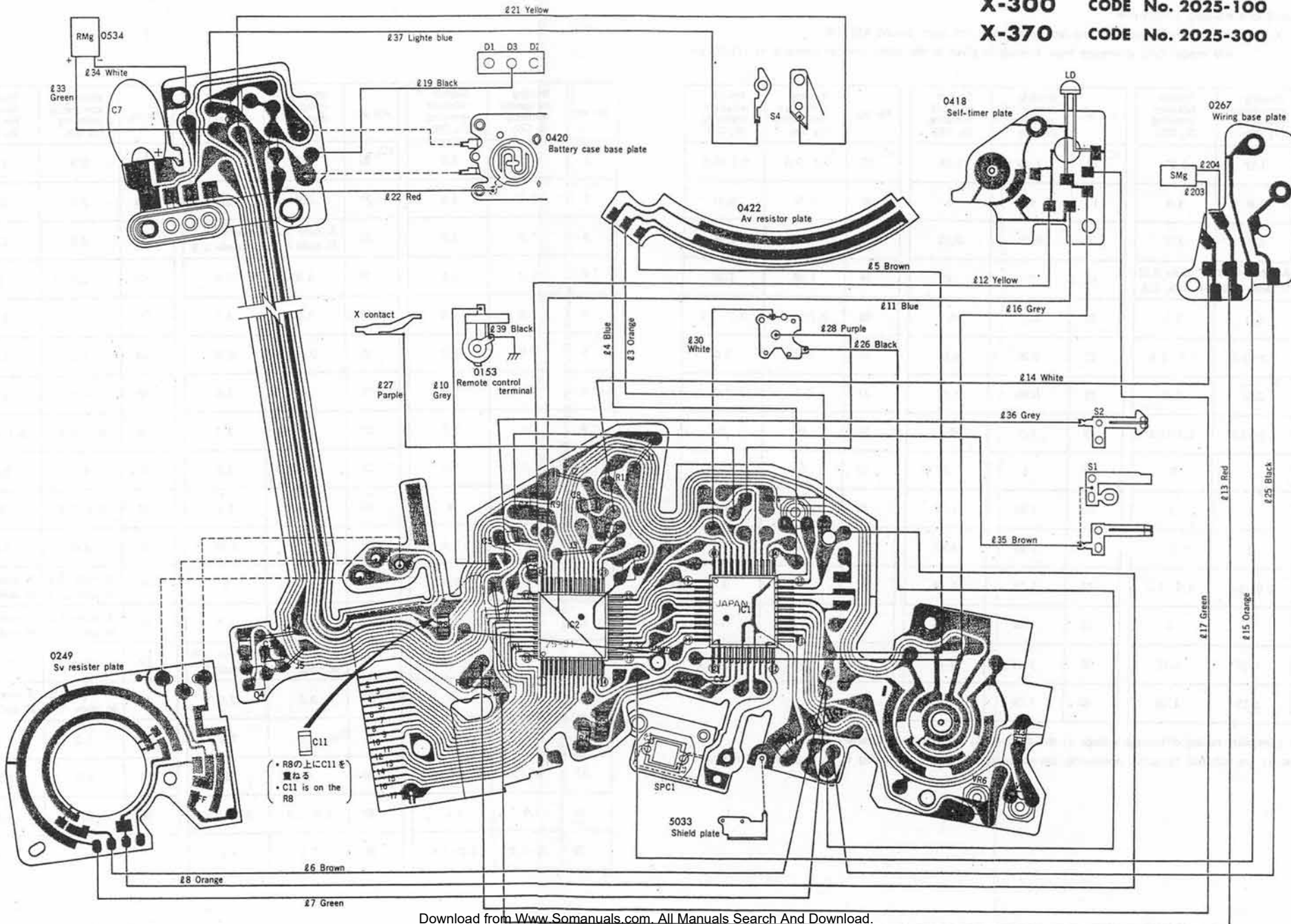
□ : Contact
 ■ : Soldering position except lead wire's (a~c/1~17 show joint part)

● The figures in the frame of IC1 and IC2 show voltage (V) of each pin. Voltage in the parenthesis of IC1-①. ②, ③, ④, ⑤, ⑥, ⑦ is for X-500/-570. Other IC pin voltages than above are common to X-500/-570. Measuring conditions: Voltage supply (3V), winding completed, A mode, around ASA 100, finder LED next to 1/500 lights up. (Pin voltages vary slightly according to types of camera and measuring instruments)

⊞ : Circuit provided with ⊞ shows the exclusive circuit for X-500/-570; X-300/-370 does not employ relevant circuit.
 ⊞ : Explanations of this circuit discontinuity and employing of exclusive circuit for X-300/-370 (※1~※6) are given on P.19.



Symbol	Name	Symbol	Name	Symbol	Name	Name	Function	Name	Function	Name	Function	Name	Function	Name	Function	Name	Function								
S ₁	Touch SW	S ₁₁	Self-timer SW	Sx ₁	X contact	IC ₁	Metering, calculation, A/D conversion, flash control, and others	SL ₁	Shutter magnet control, indication	R ₉	Touch SW adjustment	Q ₁	Prevention against error using MD, Power source response	C ₁	Prevention against counter-electromotive force of SL ₂	C ₁₀	Prevention against chattering	SPC ₁	Flash ready signal						
S ₂	Metering SW	S ₁₂	Remocon SW	To	TV SW	IC ₂	Timing control, SS control, control	VR ₁	144mV adjustment	R ₁₁	B.C lock voltage adjustment	Q ₂	Prevention against touch SW noise	C ₂	Prevention against XL oscillation	C ₁₁	Prevention against error using winder LC oscillator	SPC ₂	Flash ready signal						
S ₃	Release SW	S ₁₃	AE lock SW			SL ₂	Release	VR ₂	238mV adjustment			Q ₃	Prevention against SL ₂ driving	C ₃	Prevention against IC ₂ oscillation	XL	LC oscillator	F ₁	Firing of flash						
S ₄	Reset SW	S ₁₄	Master SW OFF					VR ₃	144mV adjustment			C ₄	Prevention against counter-electromotive force of SL ₂	C ₅	Prevention against chattering	W ₁	MD; metering signal	F ₂	Flash ready signal						
S ₅	Master SW ON		Master SW ON					VR ₄	238mV adjustment			C ₆	Prevention against XL oscillation	C ₇	Prevention against error using winder LC oscillator	W ₂	MD; release signal	F ₃	Flash ready signal						
S ₆								VR ₅	144mV adjustment			C ₈	Prevention against SL ₂ driving	C ₉	Prevention against IC ₂ oscillation	W ₃	MD; metering signal	F ₄	Flash ready signal						
S ₇								VR ₆	144mV adjustment			C ₁₀	Prevention against chattering	SPC ₁	Natural light metering	D ₁	Finder lamp	F ₅	Flash ready signal						
S ₈												C ₁₁	Prevention against error using winder LC oscillator	SPC ₂	Natural light metering	D ₂	Finder lamp	F ₆	Flash ready signal						
S ₉																			F ₇	Flash ready signal					
S ₁₀																				F ₈	Flash ready signal				
S ₁₁																					F ₉	Flash ready signal			
S ₁₂																						F ₁₀	Flash ready signal		
S ₁₃																							F ₁₁	Flash ready signal	
S ₁₄																								F ₁₂	Flash ready signal



IC pin voltages

Measuring conditions: ● Supply voltage...3V

● A mode...Measure with no lens attached in the room around ASA 100.

● M mode...Only difference from A mode is given in the table. (shutter speed is at 1/1000 sec.)

Pin No.	Winding completed metering (S ₀ ON)	Shutter released metering (S ₀ ON)	Pin No.	Winding completed metering (S ₀ ON)	Shutter released metering (S ₀ ON)	Pin No.	Winding completed metering (S ₀ ON)	Shutter released metering (S ₀ ON)
IC ₁ 1	0.07	0.07	IC ₁ 16	1.26	1.26	IC ₁ 31	0.1~0.6	0.1~0.6
2	3.0	3.0	17	0	0	32	0.94	0.94
3	3.0	3.0	18	0.05	0.05	33	0.16	0.16
4	A mode 0.07 M mode 0.8	A mode 0.07 M mode 0.8	19	0	0	34	1.08	1.08
5	3.0	3.0	20	0.7	0.7	35	0.7~1.5	0.7~1.5
6	1.2~1.6	1.2~1.6	21	0.05	0.05	36	3.0	3.0
7	3.0	3.0	22	0.06	0.06	37	3.0	3.0
8	1.1~1.3	1.1~1.3	23	0.5	0.5	38	0	0
9	0	0	24	0	0	39	0	0
10	0	0	25	1.08	1.08	40	1.5	1.5
11	0	0	26	1.03	1.03	41	0	0
12	1.6~2.0	1.6~2.0	27	1.15	1.15	42	3.0	3.0
13	0	0	28	1.44	1.44	43	3.0	3.0
14	1.15	1.15	29	1.04	1.04	44	3.0	3.0
15	1.15	1.15	30	1.08	1.08			

● There is possibility having difference voltage at the state of S₀ ON and S₀ OFF(metering hold).


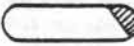
● Above values are obtained by actual measuring, pin voltages vary slightly according to the measured camera.

Pin No.	Winding completed metering (S ₀ ON)	Shutter released metering (S ₀ ON)	Pin No.	Winding completed metering (S ₀ ON)	Shutter released metering (S ₀ ON)	Pin No.	Winding completed metering (S ₀ ON)	Shutter released metering (S ₀ ON)
IC ₂ 1	3.0	3.0	IC ₂ 20	3.0	3.0	IC ₂ 39	3.0	3.0
2	3.0	3.0	21	3.0	3.0	40	3.0	3.0
3	3.0	3.0	22	A mode 0.07 M mode 0.8	A mode 0.07 M mode 0.8	41	3.0	3.0
4	3.0	3.0	23	3.0	3.0	42	2.2	0
5	3.0	3.0	24	3.0	3.0	43	3.0	3.0
6	3.0	3.0	25	0.07	0.07	44	1.5	1.5
7	3.0	3.0	26	3.0	3.0	45	1.0	1.0
8	3.0	3.0	27	3.0	3.0	46	0.1~0.5	0.1~0.5
9	3.0	3.0	28	3.0	3.0	47	3.0	3.0
10	0	0	29	2.2	2.2	48	0.1~0.5	0
11	3.0	3.0	30	0.06	0.06	49	3.0	3.0
12	0	3.0	31	0	0	50	A mode 3.0 M mode 1.2	A mode 3.0 M mode 1.2
13	3.0	3.0	32	3.0	3.0	51	A mode 1.2 M mode 3.0	A mode 1.2 M mode 3.0
14	0	0	33	A mode 3.0 M mode 0	A mode 3.0 M mode 0	52	3.0	3.0
15	0	0	34	3.0	3.0	53	A mode 3.0 M mode F	A mode 3.0 M mode F
16	0	0	35	3.0	3.0	54	1.2	1.2
17	1.1~1.3	1.1~1.3	36	0	0	55	3.0	3.0
18	3.0	3.0	37	0.6~1.8	0.6~1.8	56	3.0	3.0
19	1.2~1.6	1.2~1.6	38	3.0	3.0			


Inspection Standard

1. This standard specifies uniform performance levels for servicing in order to guarantee our product's quality to customers. Each item is detailed so that you can follow this standard when you receive inquiries from users or are asked for checks.
2. When delivery or acceptance inspections are required, do not directly apply this standard to the performance measurements, but refer to the corresponding standard (manual).
3. Some users, because of their taste or special purposes, may require adjustment of this standard. In this case, perform the adjustment according to the user's request whenever possible.

Check Item	Checkpoint	Description
Main switch		Operation.....Squeak, roughness, click feeling.
		BeeperIn "ON)))" position, a beeper should sound when touch SW. is turned ON or when AE is locked at shutter speed is slower than "1/30" in A mode.Beeping should be free of irregular sound.
Winding	Winding lever	Operation.....There shall be no uneven action, roughness, sticking or contact, etc.
		PlayShall be less than 0.7mm at the tip of the lever.
	Spool	Operation.....An even and smooth idle rotation shall enable the film to rewind securely. Spool torque...200 to 300 g (②, ③, ④ as shown in the figure below)
	Sprocket	Operation.....Slip, no-load rotation with the rewind button depressed.
Rewinding	Rewind button	Operation.....Lock, unlock (To be reset at the first half of rewinding), touch or contact.
		Lock position...Should be above, the bottom cover. Unlock position...Should be below the bottom cover surface.
	Rewind handle	Operation.....There shall be no uneven heavy movement, touch or contact, etc.Effective spring action.
Film counter	Counter dial	FeedThe counter dial shall be 1 when the rear lid is closed and the film is wound twice. There shall be no contact, skip, etc.
		ReturnThere shall be no contact, etc., and the counter dial shall return to S.
		Index deviation...Shall be within the range as illustrated below:

Check Item	Checkpoint	Description																																																																
SLS		<p>Operation.....SLS signal should not come in sight from above in case of no film loaded.</p> <p>.....SLS signal should come in sight from above as illustrated below in case of a film loaded.</p> <p>Counter..... 1</p>  <p>(In sight)</p> <p>Counter.....36+2</p>  <p>(In sight)</p>																																																																
Shutter	Operating button	<ul style="list-style-type: none"> • Operation.....There shall be no roughness, contact, shock, etc., and the shutter button shall return to the original position. • Touch SW., metering SW., release SW., should operate properly. • Shutter should not be released while winding up. <p>Should be able to be released with release lever returned to its original position after winding up.</p>																																																																
	Speed dial	<p>Operation.....There shall be no squeak, roughness, etc., and the dial shall rotate smoothly. Click feeling.</p> <p>The dial should not rub top cover while rotating.</p>																																																																
		<p>Index deviation...Speed and mode letters shall not be shaded by window.</p> <p>Undesired speed letters shall not be visible at click stop position.</p>																																																																
	Shutter curtain	<ul style="list-style-type: none"> • There shall be no pin holes, surplus adhesives, etc. • Edge metal shall not come in sight at the shutter wound and released. • 2nd curtain edge metal shall not be in sight more than 0.5 mm on the way of winding, viewed from the body rear. <p>Operation.....There shall be no contact between 1st and 2nd curtains, bounds inside the image frame, protrusion of the curtain, abnormal sound, etc.</p> <p>The curtain should travel properly even if operating button is depressed fast, slowly, or strongly.</p>																																																																
Shutter speed																																																																		
<table border="1"> <thead> <tr> <th>Dial position</th> <th>1000</th> <th>500</th> <th>250</th> <th>125</th> <th>60</th> <th>30</th> <th>15</th> <th>8</th> <th>4</th> <th>2</th> <th>1</th> <th>AUTO X</th> </tr> </thead> <tbody> <tr> <td>Reference value (ms)</td> <td>0.98</td> <td>1.95</td> <td>3.91</td> <td>7.81</td> <td>17.0</td> <td>31.3</td> <td>62.5</td> <td>125</td> <td>250</td> <td>500</td> <td>1000</td> <td>20.0</td> </tr> <tr> <td>Standard</td> <td>±0.5 EV</td> <td>±0.4 EV</td> <td colspan="2">±0.3EV</td> <td>+0.17 -0.42 EV</td> <td colspan="6">±0.3EV</td> <td>+0.2 -0.23 EV</td> </tr> <tr> <td rowspan="2">Tolerance (ms)</td> <td>0.69</td> <td>1.48</td> <td>3.17</td> <td>6.35</td> <td>12.7</td> <td>25.4</td> <td>50.6</td> <td>101</td> <td>203</td> <td>405</td> <td>812</td> <td>17</td> </tr> <tr> <td>1.38</td> <td>2.58</td> <td>4.81</td> <td>9.62</td> <td>19.2</td> <td>38.5</td> <td>76.9</td> <td>154</td> <td>307</td> <td>615</td> <td>1230</td> <td>23</td> </tr> </tbody> </table>			Dial position	1000	500	250	125	60	30	15	8	4	2	1	AUTO X	Reference value (ms)	0.98	1.95	3.91	7.81	17.0	31.3	62.5	125	250	500	1000	20.0	Standard	±0.5 EV	±0.4 EV	±0.3EV		+0.17 -0.42 EV	±0.3EV						+0.2 -0.23 EV	Tolerance (ms)	0.69	1.48	3.17	6.35	12.7	25.4	50.6	101	203	405	812	17	1.38	2.58	4.81	9.62	19.2	38.5	76.9	154	307	615	1230	23
Dial position	1000	500	250	125	60	30	15	8	4	2	1	AUTO X																																																						
Reference value (ms)	0.98	1.95	3.91	7.81	17.0	31.3	62.5	125	250	500	1000	20.0																																																						
Standard	±0.5 EV	±0.4 EV	±0.3EV		+0.17 -0.42 EV	±0.3EV						+0.2 -0.23 EV																																																						
Tolerance (ms)	0.69	1.48	3.17	6.35	12.7	25.4	50.6	101	203	405	812	17																																																						
	1.38	2.58	4.81	9.62	19.2	38.5	76.9	154	307	615	1230	23																																																						
<ul style="list-style-type: none"> • Curtain speed...Shall be within 13 ms (travelling time for 32 mm) for both 1st and 2nd curtains. • Fluctuation...The difference between the maximum and minimum values in the center of the image plane (B range) shall be within 0.4 EV. (Measure five times repeatedly.) • Unevenness of exposure...The difference of the exposure time between both ends (A, C ranges) and the image plane center (B range) shall be within 0.3 EV, and the difference between A and C ranges shall be within 0.4 EV. 																																																																		
Synchro	X delay time																																																																	
		<table border="1"> <thead> <tr> <th>Shutter speed</th> <th>Item</th> <th>Tolerance</th> </tr> </thead> <tbody> <tr> <td rowspan="2">1/60</td> <td>X contact delay time</td> <td>A range Over 0.4 ms</td> </tr> <tr> <td>From X contact ON to 2nd curtain start...</td> <td>B range Over 2.4 ms</td> </tr> </tbody> </table>	Shutter speed	Item	Tolerance	1/60	X contact delay time	A range Over 0.4 ms	From X contact ON to 2nd curtain start...	B range Over 2.4 ms																																																								
		Shutter speed	Item	Tolerance																																																														
1/60	X contact delay time	A range Over 0.4 ms																																																																
	From X contact ON to 2nd curtain start...	B range Over 2.4 ms																																																																

Check Item	Checkpoint	Description																						
Self-timer	Lever	<ul style="list-style-type: none"> • Operation.....There shall be no roughness, squeak, etc. Click feeling. • Self-timer SW. should not be turned ON by snapback of AE lock releasing. 																						
	Timer function	<ul style="list-style-type: none"> • Setting the lever to "OFF" after starting shall stop operation. • ON/OFF cycle of the lamp (LED) shall satisfy the following time chart: <p style="text-align: center;">Start Release</p>																						
Finder	View	Inclination of image, coincidence, fading on one side.																						
	LED display	<ul style="list-style-type: none"> • All LEDs should be clear, be free of dust, shade. • LED indication (ON/OFF) should be as follows corresponding to each mode of shutter speed dial. <table border="1" style="width: 100%; border-collapse: collapse;"> <thead> <tr> <th colspan="2">SS DIAL</th> <th>A</th> <th>1/1000~1</th> <th>B</th> </tr> </thead> <tbody> <tr> <td rowspan="2">No electroflash</td> <td>Mode indicator</td> <td>"A" ON ("A" blinking when cells near exhaustion)</td> <td>"M" ON ("M" blinking when cells near exhaustion)</td> <td>"M" ON ("M" blinking when cells near exhaustion)</td> </tr> <tr> <td>Metering indicator</td> <td>Proper shutter speed indicator ON</td> <td>Proper shutter speed indicator ON Selected shutter speed indicator blinking</td> <td>B indicator "*" ON</td> </tr> <tr> <td rowspan="2">With Auto Electroflash X-series</td> <td>Mode indicator</td> <td>No indicated ("A" blinking when cells near exhaustion)</td> <td>No indicated ("M" blinking when cells near exhaustion)</td> <td>No indicated</td> </tr> <tr> <td>Metering indicator</td> <td>"1/60" blinking "1/60"- "▼" blinking with AE locked</td> <td>"1/60" blinking (AE lock impossible)</td> <td>B indicator "*" blinking</td> </tr> </tbody> </table> <p>Others.....</p> <ul style="list-style-type: none"> • The indication should light up for 15 seconds after the metering switch (S₂ or S₁) is OFF. The indication should remain ON for 15 seconds after shutter release. • Immediately the self-timer operates and shutter is released, the indication should go off. • 3 or more metered shutter speed LEDs should not light up. • Over-range LED (▲) and under-range LED (▼) should go on and off independently. (Should not light up simultaneously with "1000" or "1" LED) • In A mode, shutter speed should be within 1-1 sec. when under-range LED (▼) is ON. Should be slower than 1 sec. when (▼) is blinking. 	SS DIAL		A	1/1000~1	B	No electroflash	Mode indicator	"A" ON ("A" blinking when cells near exhaustion)	"M" ON ("M" blinking when cells near exhaustion)	"M" ON ("M" blinking when cells near exhaustion)	Metering indicator	Proper shutter speed indicator ON	Proper shutter speed indicator ON Selected shutter speed indicator blinking	B indicator "*" ON	With Auto Electroflash X-series	Mode indicator	No indicated ("A" blinking when cells near exhaustion)	No indicated ("M" blinking when cells near exhaustion)	No indicated	Metering indicator	"1/60" blinking "1/60"- "▼" blinking with AE locked	"1/60" blinking (AE lock impossible)
SS DIAL		A	1/1000~1	B																				
No electroflash	Mode indicator	"A" ON ("A" blinking when cells near exhaustion)	"M" ON ("M" blinking when cells near exhaustion)	"M" ON ("M" blinking when cells near exhaustion)																				
	Metering indicator	Proper shutter speed indicator ON	Proper shutter speed indicator ON Selected shutter speed indicator blinking	B indicator "*" ON																				
With Auto Electroflash X-series	Mode indicator	No indicated ("A" blinking when cells near exhaustion)	No indicated ("M" blinking when cells near exhaustion)	No indicated																				
	Metering indicator	"1/60" blinking "1/60"- "▼" blinking with AE locked	"1/60" blinking (AE lock impossible)	B indicator "*" blinking																				

Check Item	Checkpoint	Description																																										
Auto exposure	ASA dial	Operation.....There shall be no touch or contact, roughness, etc., and the dial shall rotate smoothly, and shall engage with the lock groove securely.																																										
		Dial deviation...Should be within the range shown below including play. <div style="text-align: center;">  </div>																																										
<p>① Auto exposure and tolerance of LED display</p> <p>1. LED display at M mode...Conforms to LED display at A mode as shown in Table 1 below:</p> <p>2. EE level and LED display at A mode.</p> <p>Table-1 (Lens : Master lens for S-auto, ASA : 100)</p> <table border="1" style="width: 100%; border-collapse: collapse; text-align: center;"> <thead> <tr> <th>Luminance</th> <th>Diaphragm</th> <th colspan="3">Tolerance of LED lighting</th> <th>Tolerance of EE level</th> <th>Variation</th> </tr> </thead> <tbody> <tr> <td rowspan="3">EV 5</td> <td rowspan="3">F 4</td> <td>4</td> <td></td> <td></td> <td rowspan="9">0 ± 0.8EV</td> <td rowspan="9">0.4EV</td> </tr> <tr> <td>2</td> <td></td> <td></td> </tr> <tr> <td>1</td> <td></td> <td></td> </tr> <tr> <td rowspan="3">EV 11</td> <td rowspan="3">F 8</td> <td>60</td> <td></td> <td></td> </tr> <tr> <td>30</td> <td></td> <td></td> </tr> <tr> <td>15</td> <td></td> <td></td> </tr> <tr> <td rowspan="3">EV 14</td> <td rowspan="3">F 5.6</td> <td>1000</td> <td></td> <td></td> </tr> <tr> <td>500</td> <td></td> <td></td> </tr> <tr> <td>250</td> <td></td> <td></td> </tr> </tbody> </table>			Luminance	Diaphragm	Tolerance of LED lighting			Tolerance of EE level	Variation	EV 5	F 4	4			0 ± 0.8EV	0.4EV	2			1			EV 11	F 8	60			30			15			EV 14	F 5.6	1000			500			250		
Luminance	Diaphragm	Tolerance of LED lighting			Tolerance of EE level	Variation																																						
EV 5	F 4	4			0 ± 0.8EV	0.4EV																																						
		2																																										
		1																																										
EV 11	F 8	60																																										
		30																																										
		15																																										
EV 14	F 5.6	1000																																										
		500																																										
		250																																										
<p>② High/Low speed limit</p> <p>1. High-speed limit...The exposure time should be within 0.69~1.38 ms with over-range LED ON in A mode. (Check with the shutter tester in A mode.)</p> <p>2. Low-speed limit...The exposure time should be within 4 seconds with under-range LED ON in A mode. (Check by interrupting light to the light receiver in A mode.)</p>																																												
<p>③ AE lock</p> <ul style="list-style-type: none"> • Depressing AE lock should activate the camera's meter and viewfinder LED display. • AE lock should not operate in M mode. • Exposure change with continuous shooting (A mode) <p>Standard.....Shutter speed variation should be within ±0.3EV with AE locked. (For shutter speed faster than 1/500, variation should be within ±0.5EV)</p>																																												

Check Item	Checkpoint	Description
Focus	Mirror	Angle $45^{\circ} \pm 15'$
		Operation.....There shall be no play, two-step movement, improper timing, bounds within the image plane, etc.
		Inclination ...Shall be within 0.4 mm for the light shield plate in the up position.
	Body back (Pressure plate back)	43.70 ± 0.1 mm (from the pressure plate margin to the lens mounting surface)
	Finder back	43.565 ± 0.025 mm
Others	MC levers	Operation.....There shall exist no roughness, contact or touch, abnormal sound, etc.
	Lens removal and installation	Check removal and installation torque (light or heavy), lock, unlock, play.
	Back cover	• Opening/closing...Back cover shall float spontaneously when the rewind knob is pulled up. There shall be no remarkable play when back cover is closed.
	Pressure plate	There shall be no distortion, protrusion, concave, foreign matter attachments, etc.
	Battery chamber	ContactThere shall be no abrasion, corrosion, stains, etc.
	Compatibility with accessories	Interchangeability with Motor Drive 1 (8740) and Auto Winder G (8731-200) ...With 8740 and 8731 installed, check the functions.
Voltage regulations, etc.		<ul style="list-style-type: none"> • Battery consumption with LEDs ON (4 LEDs lighting ON in M mode)..... 9.5 mA or less (Voltage 2.8 V) • Leak current at main SW. ON.....$10 \mu\text{A}$ or less (Voltage 2.8 V) • Leak current at main SW. OFF.....$2 \mu\text{A}$ or less (Voltage 2.8 V)

I N D E X

Part No.	Page	Part No.	Page	Part No.	Page
2017-0103-----	8	2024-0248-----	1	2025-0401-----	15,18
2025-0110-----	3	2024-0249-----	4	2023-0404-----	15
2017-0113-----	4,14	2017-0252-----	9	2024-0412-----	1
2024-0130-----	4	2017-0253-----	16	2017-0415-----	1
2025-0139-----	2	2024-0255-----	5	2025-0416-----	1
2006-0140-----	3	2024-0256-----	9	2024-0418-----	8
2024-0147-----	2	2017-0258-----	16	2024-0420-----	5
2025-0151-----	2	2024-0261-----	1	2024-0422-----	6
2017-0153-----	8	2017-0267-----	16	2024-0491-----	18
2017-0163-----	6	2023-0274-----	15		
2024-0166-----	15	2023-0281-----	1	2024-0505-----	10
2017-0175-----	6			2017-0510-----	7
2025-0195-----	2	2023-0301-----	1	2024-0511-----	10
2025-0197-----	2	2017-0307-----	12	2024-0512-----	9
		2017-0308-----	12	2017-0517-----	10
2017-0201-----	16	2017-0310-----	12	2017-0519-----	10
2017-0207-----	16	2017-0312-----	12	2024-0530-----	9
2017-0209-----	17	2017-0322-----	12	2024-0534-----	8
2017-0211-----	16	2017-0323-----	5	2024-0539-----	9
2006-0215-----	17	2017-0328-----	12	2024-0542-----	7
2017-0216-----	16	2017-0331-----	13	2024-0550-----	7
2017-0218-----	16	2024-0332-----	1	2017-0570-----	9
2017-0219-----	16	2017-0338-----	12	2017-0571-----	9
2017-0226-----	17	2024-0341-----	11	2025-0583-----	7
2017-0227-----	17	2017-0345-----	11		
2017-0229-----	17	2024-0350-----	13		
2017-0242-----	17	2017-0352-----	13	2006-0881-----	4

I N D E X

Part No.	Page	Part No.	Page	Part No.	Page
2023-1005-----	6	2005-1063-----	6	2025-1357-----	1
2017-1006-----	8	2017-1064-----	6	2025-1359-----	2
2017-1007-----	1	2024-1085-----	1	2017-1360-----	1
2017-1008-----	8			2017-1365-----	4
2017-1009-----	1	2025-1107-----	3	2007-1415-----	3
2025-1010-----	6	2017-1110-----	14	2023-2007-----	15
2017-1011-----	6	2024-1111-----	14	2023-2022-----	1
2006-1014-----	8	2006-1112-----	14	2019-2023-----	1
2024-1015-----	4			2024-2052-----	2
2024-1016-----	4	2006-1116-----	3	2019-2067-----	1
2006-1018-----	2	2017-1117-----	3		
2024-1021-----	4	2006-1119-----	3	2017-2104-----	17
2024-1023-----	4			2017-2105-----	17
2024-1024-----	4	2025-1202-----	3	2017-2108-----	16
2024-1025-----	4	2025-1205-----	3	2006-2114-----	17
0031-1027-----	4			2017-2123-----	17
0031-1034-----	4	2025-1319-----	1	2017-2126-----	17
2025-1038-----	14	2017-1321-----	1	2006-2130-----	17
		2017-1323-----	1	2017-2131-----	17
2017-1041-----	14	2017-1325-----	1	2017-2132-----	17
2006-1042-----	14	2017-1327-----	1	2006-2144-----	17
2017-1043-----	14	2024-1344-----	1	2017-2147-----	17
2024-1052-----	2	2024-1345-----	1	2017-2148-----	17
2017-1054-----	2	2017-1349-----	14	2017-2157-----	16
2017-1057-----	2	2025-1351-----	1	2017-2166-----	16
2005-1061-----	6	2025-1353-----	1	2017-2168-----	16
2005-1062-----	6	2023-1356-----	1	2017-2183-----	16

I N D E X

Part No.	Page	Part No.	Page	Part No.	Page
2006-2184-----	16	2017-3037-----	13	2017-3414-----	11
2017-2184-----	16	2006-3040-----	12	2017-3416-----	11
2017-2185-----	17	2017-3041-----	13	2017-3421-----	13
2017-2189-----	16	2024-3042-----	13	2017-3422-----	11
2017-2191-----	16	2017-3048-----	12	2017-3424-----	11
2017-2192-----	16	2017-3051-----	13		
2017-2205-----	8,16	2006-3053-----	13	2023-4002-----	4
2017-2212-----	16	2017-3055-----	13	2025-4013-----	2
		2017-3056-----	12	2024-4023-----	2
2017-2517-----	9	2017-3057-----	12	2025-4024-----	2
2017-2519-----	9	2017-3058-----	12	2017-4216-----	5
2006-2718-----	16	2017-3065-----	12	2017-4222-----	5
2006-2749-----	16	2017-3066-----	12	2023-4256-----	2
2006-2758-----	16			2024-4301-----	18
2006-2762-----	16	2019-3303-----	1	2024-4302-----	18
2006-2773-----	16	2017-3304-----	14		
		2019-3306-----	1	2017-5006-----	4
2017-3005-----	1	2019-3308-----	14	2024-5008-----	4
2006-3009-----	12	2017-3309-----	14	2017-5013-----	7
2017-3010-----	5	2024-3311-----	1	2017-5014-----	7
2017-3013-----	1	2017-3312-----	14	2017-5015-----	7
2017-3020-----	12			2017-5016-----	7
2017-3021-----	12	2017-3403-----	11	2017-5017-----	7
2017-3025-----	12	2017-3404-----	11	2017-5018-----	7
2017-3026-----	12	2017-3405-----	11	2017-5019-----	10
2017-3027-----	12	2017-3407-----	11	2025-5021-----	10
2017-3032-----	12	2017-3410-----	11	2017-5025-----	10

I N D E X

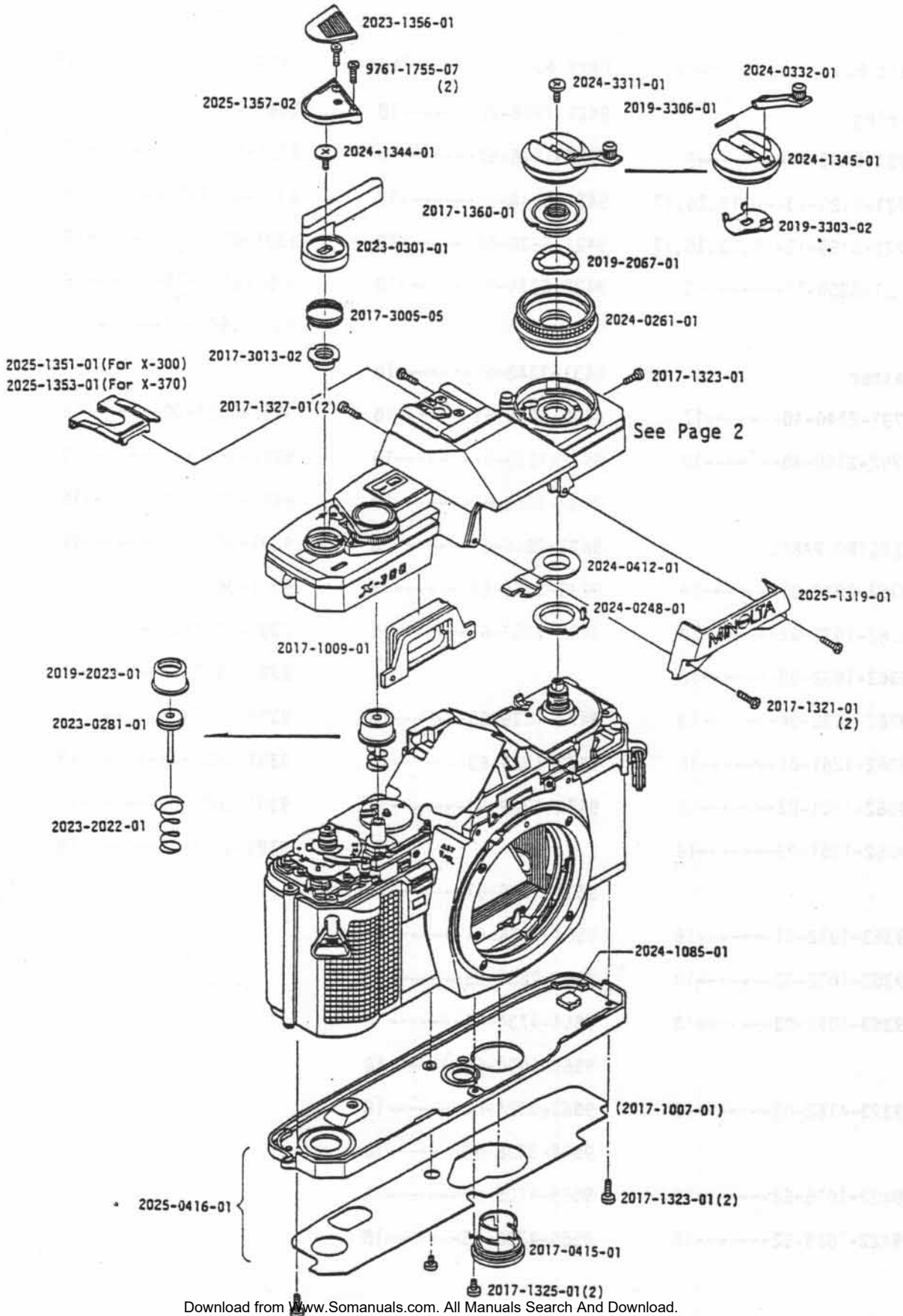
Part No.	Page	Part No.	Page	Part No.	Page
2017-5026-----	10	2017-9107-----	8	9612-1640-07-----	15
2017-5027-----	10	2017-9108-----	12	9612-1670-01-----	4
2017-5028-----	10	2017-9113-----	5	9612-2080-07-----	4,14
2017-5029-----	10	2017-9114-----	4		
2017-5030-----	10	2006-9121-----	14	9613-1418-07-----	17
2017-5031-----	7	2023-9245-----	2	9613-1645-01-----	2
2017-5032-----	7	2006-9401-----	14	9615-1416-07-----	17
2024-5033-----	4	2017-9430-----	11		
2017-5034-----	7	2017-9441-----	12	9761-1725-07-----	12
2009-5038-----	8	2017-9443-----	5	9761-1730-07-----	4,5
2006-5039-----	6,7			9761-1740-07-----	14
2025-5079-----	6	Screw		9761-1755-07-----	1
		9611-1616-12-----	10	9761-2035-07-----	5
2024-5106-----	9	9611-1620-07-----	4,6	9761-2040-07-----	13
2006-5112-----	10	9611-1625-01-----	8	9761-2050-07-----	4,5
2024-5114-----	10	9611-1625-07-----	6,8	9761-2060-07-----	5
2006-5119-----	10	9611-1630-04-----	14		
2024-5121-----	9	9611-2030-01-----	5	9762-1735-07-----	2,4
2024-5805-----	7	9611-2040-04-----	6	9762-1740-07-----	7
2019-5806-----	10			9762-1745-01-----	2
		9612-1616-07-----	16	9762-1745-07-----	4
2017-9001-----	10	9612-1620-07-----	10	9762-2040-07-----	12
2005-9005-----	9	9612-1625-01-----	16	9762-2045-07-----	14
2017-9011-----	12	9612-1625-07-----	8,9,16	9762-2060-07-----	11
2017-9012-----	12	9612-1630-07-----	6,8		
2024-9101-----	8	9612-1632-12-----	12	9763-1735-07-----	4
2017-9106-----	7	9612-1635-07-----	6	9765-1740-07-----	4,7

I N D E X

Part No.	Page	Part No.	Page	Part No.	Page
E-ring		9422-1246-62-----18		Lead wires	
9721-0080-50-----9		9422-1846-62-----18		9391-0507-00-----19	
9721-0120-13----15,16,17		9422-3946-62-----18		9391-0507-01-----19	
9721-0150-13--9,13,16,17		9422-6836-62-----18		9391-0507-03-----19	
9721-0200-13-----5		9422-8236-62-----18		9391-0507-05-----19	
				9391-0507-06-----19	
Washer		9431-3348-62-----18			
9791-2140-40-----17		9432-1068-61-----18		9391-0807-00-----19	
9792-2140-40-----12		9432-1536-62-----18		9391-0807-01-----19	
		9432-2068-61-----18		9391-0807-02-----19	
ELECTRO PARTS		9432-2246-62-----18		9391-0807-03-----19	
9362-1032-01-----18		9432-3068-61-----18		9391-0807-04-----19	
9362-1032-02-----18		9432-3357-61-----18		9391-0807-05-----19	
9362-1032-03-----18				9391-0807-06-----19	
9362-1032-04-----18		9472-1039-63-----18		9391-0807-07-----19	
9362-1261-01-----18		9472-1539-63-----18		9391-0807-08-----19	
9362-1261-02-----18		9472-3329-63-----18		9391-0807-09-----19	
9362-1261-03-----18				9391-0807-11-----19	
		9531-1575-61-----18			
9363-1032-01-----18		9564-1034-61-----18			
9363-1032-02-----18		9564-2204-65-----18			
9363-1032-03-----18		9564-4734-64-----18			
		9565-1034-64-----18			
9373-4162-01-----18		9565-3324-64-----18			
		9565-3338-65-----18			
9422-1016-62-----18		9565-4705-62-----18			
9422-1026-62-----18		9565-4738-65-----18			

X-300 Code No.2025-100

X-370 Code No.2025-300



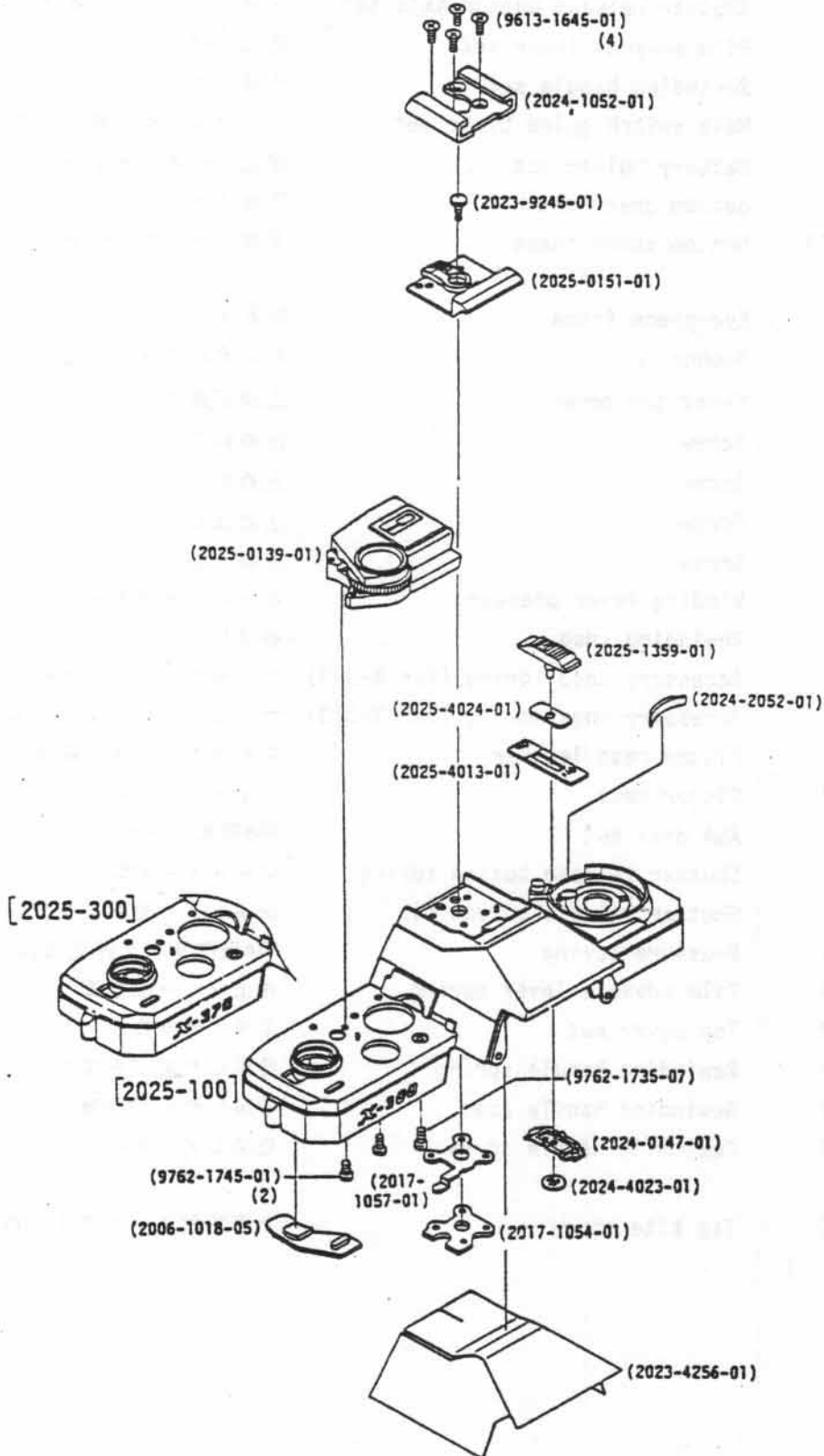
Part No.	Part Name		Qty
2024-0248-01	ASA contact holder set	ASAブラシホルダーセット	1
2024-0261-01	ASA operation knob set	ASA操作ノブセット	1
2023-0281-01	Shutter release button axis set	シャッター鉤軸セット	
2023-0301-01	Film advance lever set	巻上レバーセット	1
2024-0332-01	Rewinding handle set	巻戻しハンドルセット	1
2024-0412-01	Main switch guide plate set	メインSMガイド板セット	1
2017-0415-01	Battery holder set	電池ケース蓋セット	1
2025-0416-01	Bottom cover set	下カバーセット	1
(2017-1007-01)	Bottom cover sheet	下カバー保護シート	1
2017-1009-01	Eye-piece frame	接眼枠	1
2024-1085-01	Sponge	コンデンサーガタ止め	1
2025-1319-01	Front top cover	上部正面カバー	1
2017-1321-01	Screw	止めねじ	2
2017-1323-01	Screw	止めねじ	3
2017-1325-01	Screw	止めねじ	2
2017-1327-01	Screw	止めねじ	2
2024-1344-01	Winding lever pressure	巻上レバー押えビス	1
2024-1345-01	Rewinding knob	巻戻しノブ	1
2025-1351-01	Accessory shoe spring (for X-300)	アクセサリーシューバネ	1
2025-1353-01	Accessory shoe spring (for X-370)	アクセサリーシューバネ	1
2023-1356-01	Finger rest leather	フィンガーレスト貼皮	1
2025-1357-02	Finger rest	フィンガーレスト	1
2017-1360-01	ASA dial nut	ASA押えナット	1
2023-2022-01	Shutter release button spring	シャッター鉤SP	1
2019-2023-01	Shutter release button cap	シャッター鉤キャップ	1
2019-2067-01	Pressure spring	ASA操作リング押えばね	1
2017-3005-05	Film advance lever spring	巻上レバー戻しSP	1
2017-3013-02	Top cover nut	上カバー止めナット	1
2019-3303-02	Rewinding handle spring	巻戻しハンドルばね	1
2019-3306-01	Rewinding handle axis	巻戻しハンドル軸	1
2024-3311-01	Rewinding handle screw	巻戻しノブビス	1
9761-1755-07	Tap tite screw	十字穴付タップタイトねじ	2

X - 3 0 0 Code No.2025-100

X - 3 7 0 Code No.2025-300

Assy Part No.2025-0195-01 (For X-300)

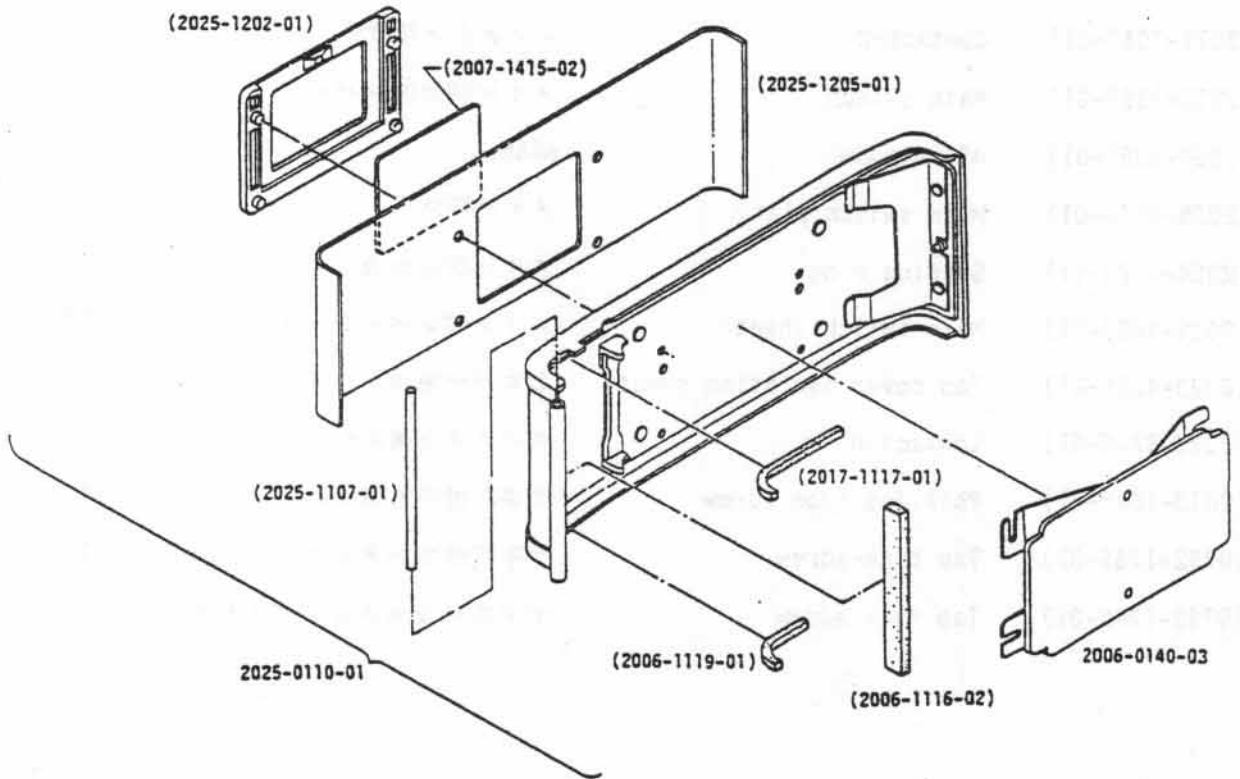
Assy Part No.2025-0197-01 (For X-370)



Part No.	Part Name		Qty
2025-0195-01	Top cover set (For X-300)	上カバーセット	1
2025-0197-01	Top cover set (For X-370)	上カバーセット	1
(2025-0139-01)	Shutter dial set	シャッターダイヤルセット	1
(2024-0147-01)	Click plate set	メインSWクリックバネセット	1
(2025-0151-01)	Accessory shoe base set	アクセサリシュー座セット	1
(2006-1018-05)	Counter window	カウンター窓	1
(2024-1052-01)	Accessory shoe	アクセサリシュー	1
(2017-1054-01)	Accessory shoe set plate	アクセサリシュー取付板	1
(2017-1057-01)	Contact-C	コンタクト接片C	1
(2025-1359-01)	Main switch	メインSW切換レバー	1
(2024-2052-01)	ASA window	ASA窓	1
(2025-4013-01)	Main switch plate	メインSW銘板	1
(2024-4023-01)	Snaping ring	メインSW止め輪	1
(2025-4024-01)	Main switch sheet	メインSWレバーシート	1
(2023-4256-01)	Top cover isolation sheet	上カバー絶縁シート	1
(2023-9245-01)	Contact-A	コンタクト接点A	1
(9613-1645-01)	Phillips type screw	十字穴付半丸皿小ねじ	4
(9762-1735-07)	Tap tite screw	十字穴付なべタップタイトねじ	1
(9762-1745-01)	Tap tite screw	十字穴付なべタップタイトねじ	2

X - 3 0 0 Code No.2025-100

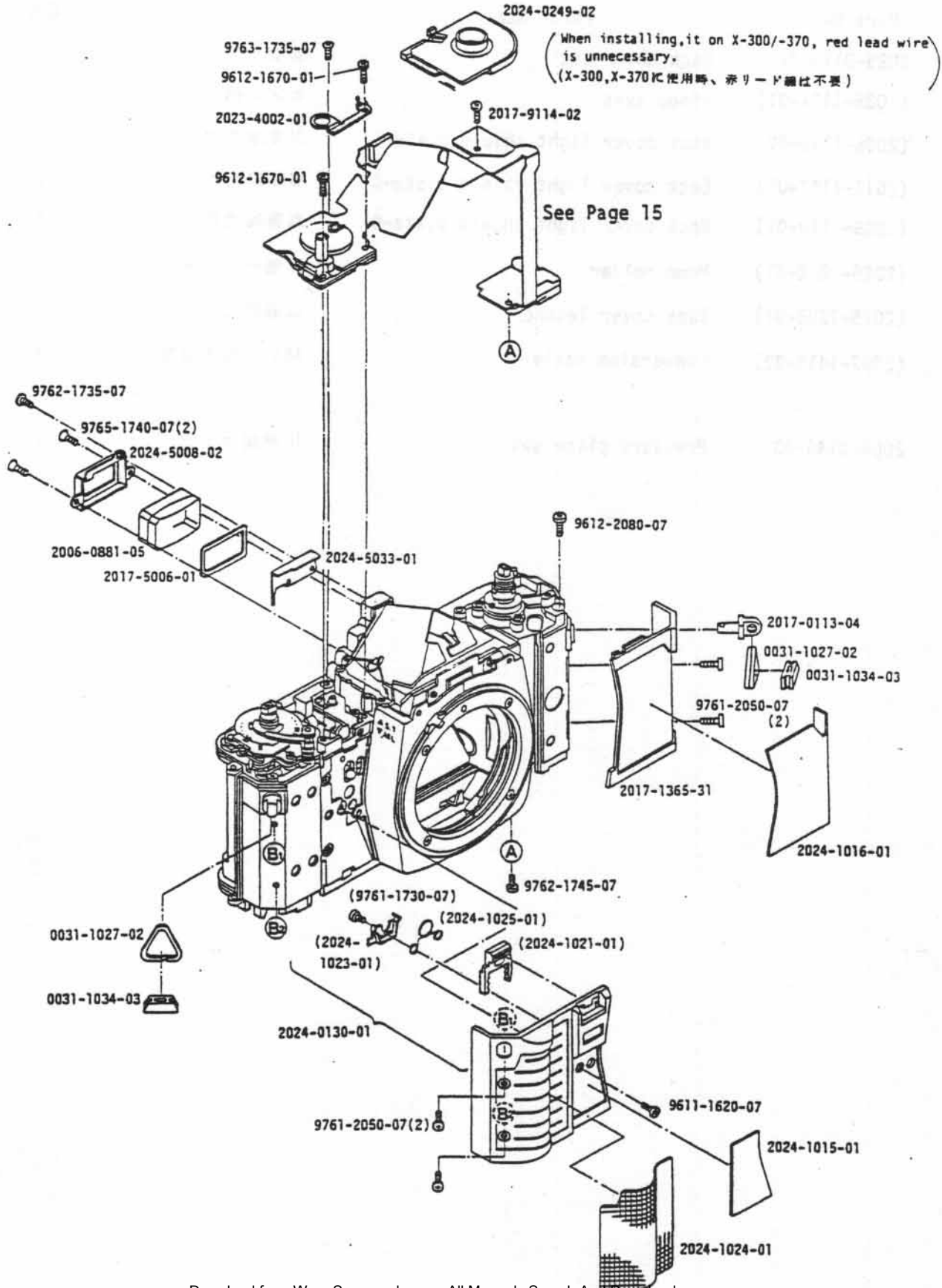
X - 3 7 0 Code No.2025-300



Part No.	Part Name		Qty
2025-0110-01	Back cover set	表蓋セット	1
(2025-1107-01)	Hinge axis	ヒンジ軸	1
(2006-1116-02)	Back cover light shield plate	表蓋遮光片	1
(2017-1117-01)	Back cover light shield plate-C	表蓋遮光片	1
(2006-1119-01)	Back cover light shield plate-B	表蓋遮光片	1
(2025-1202-01)	Memo holder	表蓋ポケット	1
(2025-1205-01)	Back cover leather	表蓋貼皮	1
(2007-1415-02)	Conversion scale	ASA / ISO換算板	1
2006-0140-03	Pressure plate set	IF.着板セット	1

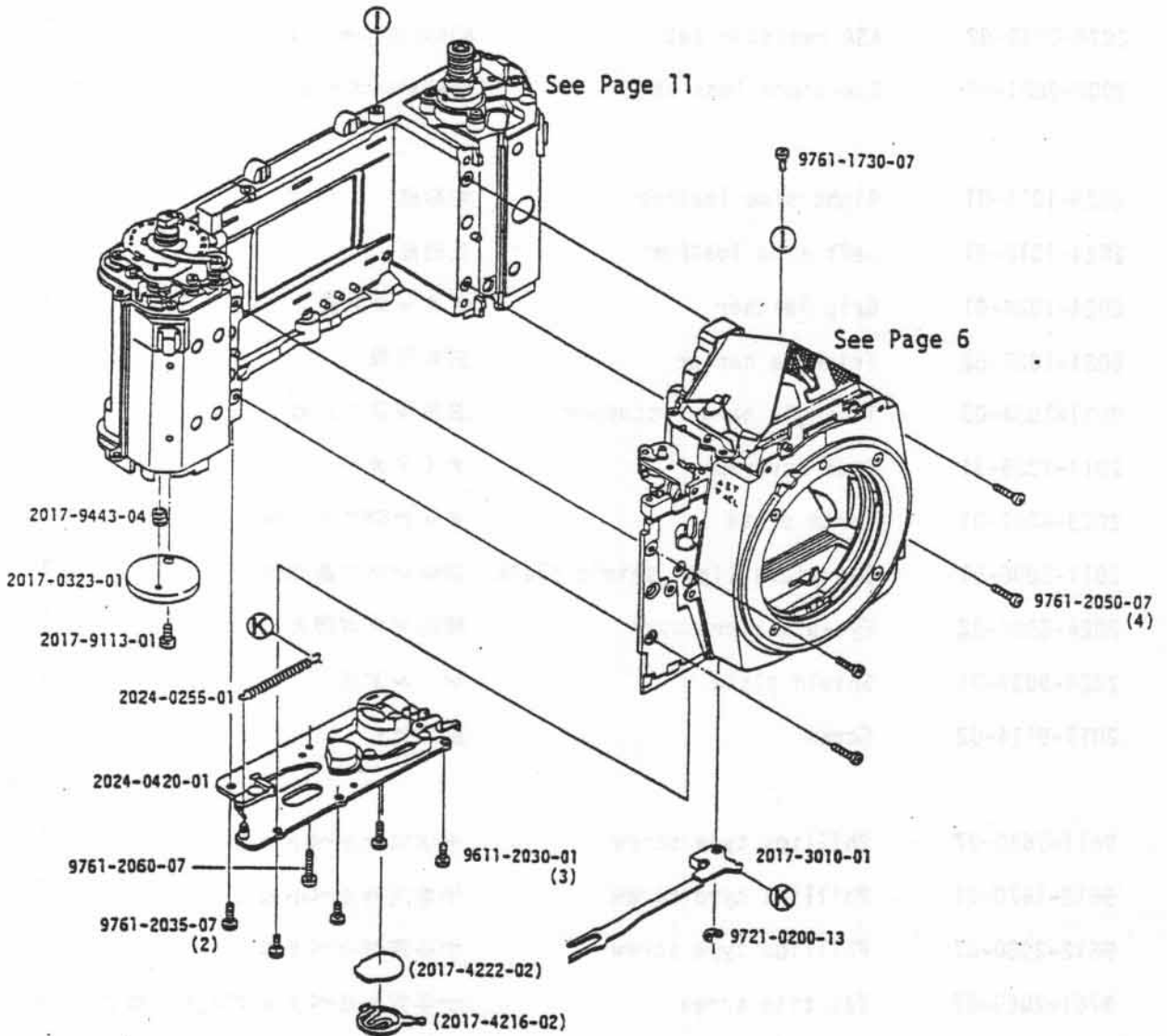
X-300 Code No.2025-100

X-370 Code No.2025-300



Part No.	Part Name		Qty
2017-0113-04	Strap hanger set	吊環セット	1
2024-0130-01	Side cover-A set	サイドカバーAセット	1
(2024-1021-01)	Self-timer lever	セルフレバー	1
(2024-1023-01)	Click spring	セルフクリックバネ	1
(2024-1025-01)	Self-timer lever spring	セルフレバーSP	1
(9761-1730-07)	Tap tite screw	十字穴付なべタップタイトねじ	1
2024-0249-02	ASA resistor set	ASA抵抗体セット	1
2006-0881-05	Eye-piece lens set	接眼レンズセット	1
2024-1015-01	Right side leather	右貼皮	1
2024-1016-01	Left side leather	左貼皮	1
2024-1024-01	Grip leather	グリップ貼皮	1
0031-1027-02	Triangle hanger	三角吊環	2
0031-1034-03	Triangle hanger stopper	三角環回り止め	2
2017-1365-31	Side cover-B	サイドカバー	1
2023-4002-01	Earth plate	タッチSWアース板	1
2017-5006-01	Eye-piece light shield plate	接眼レンズ遮光板	1
2024-5008-02	Eye-piece pressure	接眼レンズ押え	1
2024-5033-01	Shield plate	シールド板	1
2017-9114-02	Screw	止めねじ	1
9611-1620-07	Phillips type screw	十字穴付なべ小ねじ	1
9612-1670-01	Phillips type screw	十字穴付なべ小ねじ	2
9612-2080-07	Phillips type screw	十字穴付なべ小ねじ	1
9761-2050-07	Tap tite screw	十字穴付なべタップタイトねじ	4
9762-1735-07	Tap tite screw	十字穴付なべタップタイトねじ	1
9762-1745-07	Tap tite screw	十字穴付なべタップタイトねじ	1
9763-1735-07	Tap tite screw	十字穴付半丸皿タップタイトねじ	1
9765-1740-07	Tap tite screw	十字穴付皿タップタイトねじ	2

X - 3 0 0 Code No.2025-100
X - 3 7 0 Code No.2025-300

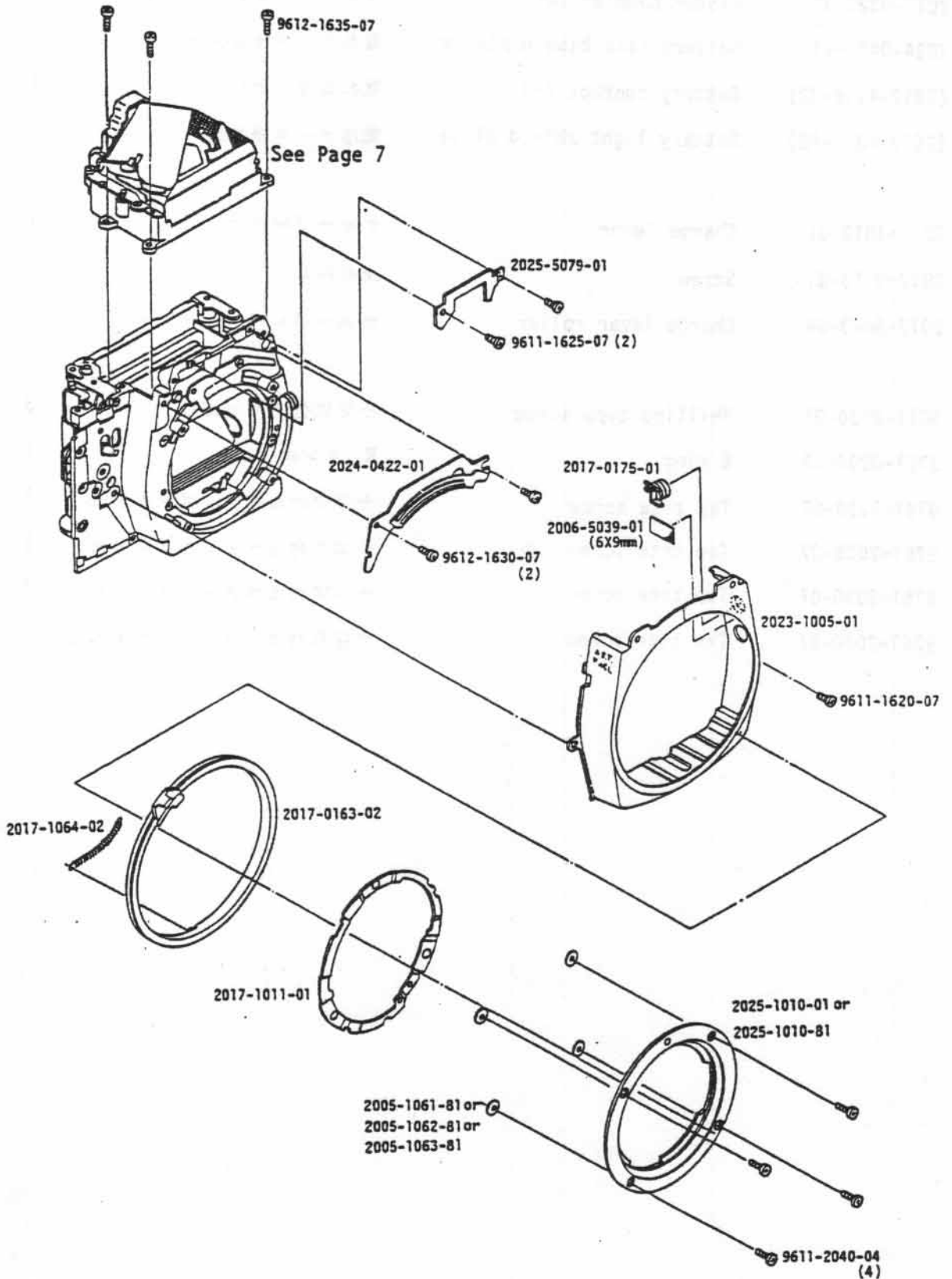


Part No.	Part Name		Qty
2024-0255-01	MP return sub spring-B set	MP戻し補助SP-Bセット	1
2017-0323-01	Winder coupler set	ワインダーカプラーセット	1
2024-0420-01	Battery case base plate set	電池ケース台板セット	1
(2017-4216-02)	Battery contact (+)	電池接片 (+)	1
(2017-4222-02)	Battery light shield plate	電池ケース遮光板	1
2017-3010-01	Charge lever	チャージレバー	1
2017-9113-01	Screw	止めねじ	1
2017-9443-04	Charge lever roller	チャージレバーローラー	1
9611-2030-01	Phillips type screw	十字穴付なべ小ねじ	3
9721-0200-13	E ring	E リング	1
9761-1730-07	Tap tite screw	十字穴付なべタップタイトねじ	1
9761-2035-07	Tap tite screw	十字穴付なべタップタイトねじ	2
9761-2050-07	Tap tite screw	十字穴付なべタップタイトねじ	4
9761-2060-07	Tap tite screw	十字穴付なべタップタイトねじ	1

6A

X-300 Code No.2025-100

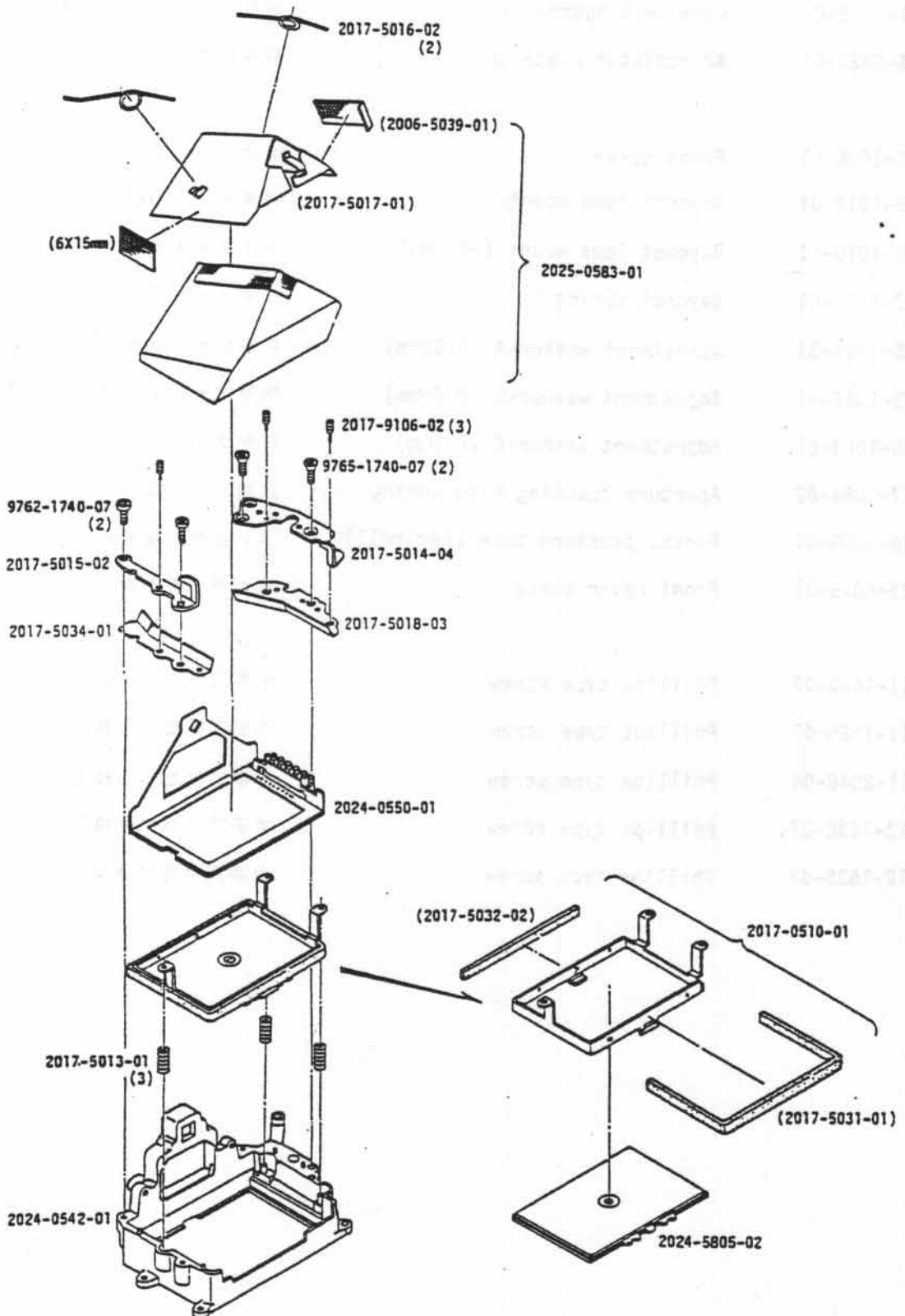
X-370 Code No.2025-300



Part No.	Part Name		Qty
2017-0163-02	Aperture coupling ring set	連結リングセット	1
2017-0175-01	Lens lock button set	レンズロック釦セット	1
2024-0422-01	AV resistor plate set	AV基板セット	1
2023-1005-01	Front cover	前カバー	1
2025-1010-01	Bayonet lens mount	バヨネット座板	} 1
2025-1010-81	Bayonet lens mount (-0.1mm)	バヨネット座板	
2017-1011-01	Bayonet spring	バヨネットSP	1
2005-1061-81	Adjustment washer-A (0.02mm)	調整ワッシャー A	} Some
2005-1062-81	Adjustment washer-B (0.05mm)	調整ワッシャー B	
2005-1063-81	Adjustment washer-C (0.1mm)	調整ワッシャー C	
2017-1064-02	Aperture coupling ring spring	連結リングSP	1
2006-5039-01	Penta. pressure tape (Per roll)	ペンタ押え板テープ	1
2025-5079-01	Front cover plate	前カバー当り板	1
9611-1620-07	Phillips type screw	十字穴付なべ小ねじ	1
9611-1625-07	Phillips type screw	十字穴付なべ小ねじ	2
9611-2040-04	Phillips type screw	十字穴付なべ小ねじ	4
9612-1630-07	Phillips type screw	十字穴付なべ小ねじ	2
9612-1635-07	Phillips type screw	十字穴付なべ小ねじ	3

X - 3 0 0 Code No.2025-100

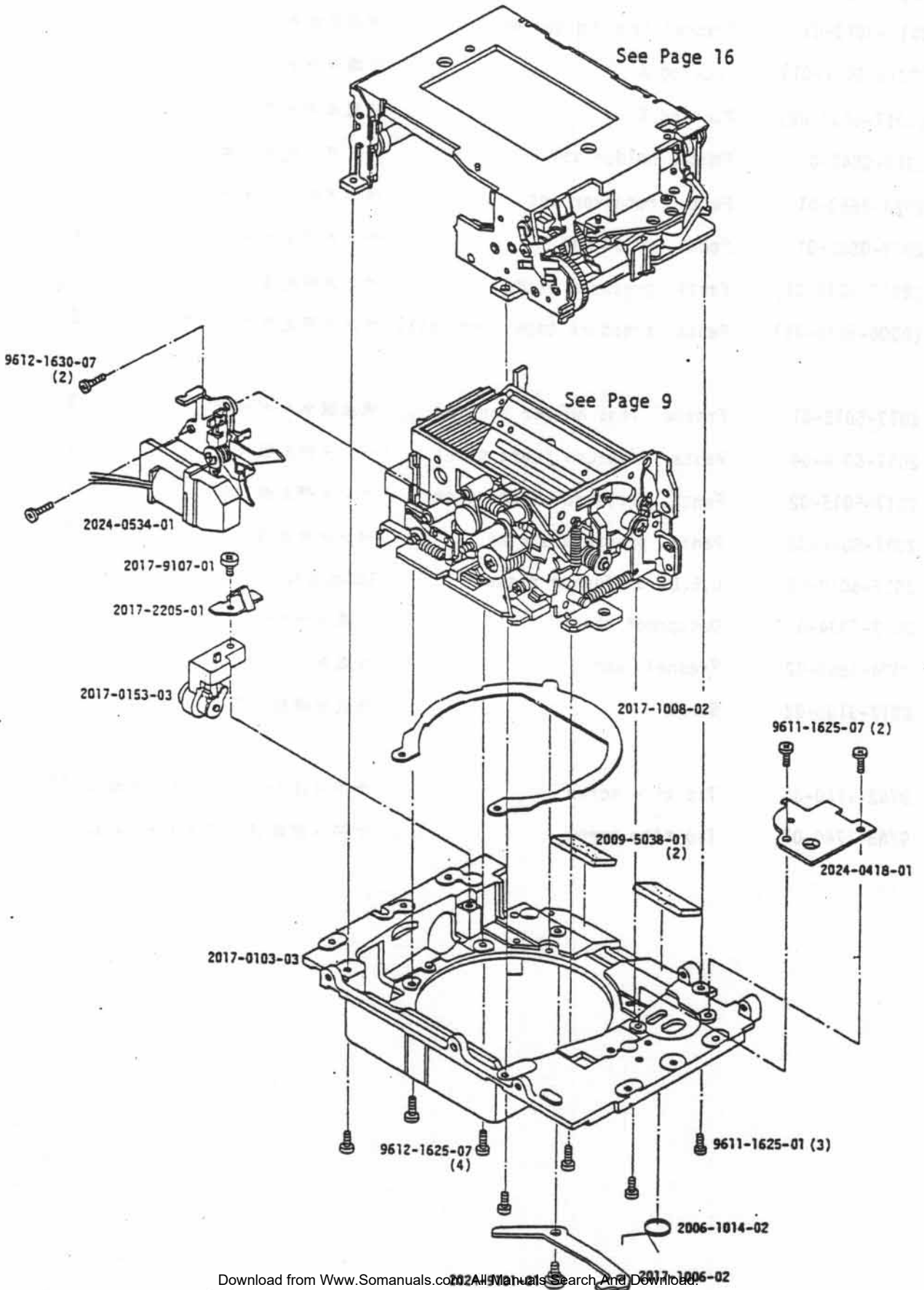
X - 3 7 0 Code No.2025-300



Part No.	Part Name		Qty
2017-0510-01	Fresnel lens holder set	焦点板ホルダーセット	1
(2017-5031-01)	Packing A	防塵モルトブレンA	1
(2017-5032-02)	Packing B	防塵モルトブレンB	1
2024-0542-01	Penta. holder set	ペンタホルダーセット	1
2024-0550-01	Penta. receiver set	ペンタ受けセット	1
2025-0583-01	Penta. prism set	ペンタプリズムセット	1
(2017-5017-01)	Penta. pressure plate	ペンタ押え板	1
(2006-5039-01)	Penta. pressure tape (Per roll)	ペンタ押え板テープ	2
2017-5013-01	Fresnel lens holder spring	焦点板ホルダーSP	3
2017-5014-04	Penta. pressure (Left side)	ペンタ押え板 (左)	1
2017-5015-02	Penta. pressure (Right side)	ペンタ押え板 (右)	1
2017-5016-02	Penta. pressure spring	ペンタ押えSP	2
2017-5018-03	L.E.D. diffusion plate	LED拡散板	1
2017-5034-01	Dustproof sheet	防塵シート	1
2024-5805-02	Fresnel lens	焦点板	1
2017-9106-02	Screw	焦点板調整ねじ	3
9762-1740-07	Tap tite screw	十字穴付なべタップタイトねじ	2
9765-1740-07	Tap tite screw	十字穴付皿タップタイトねじ	2

X - 3 0 0 Code No.2025-100

X - 3 7 0 Code No.2025-300

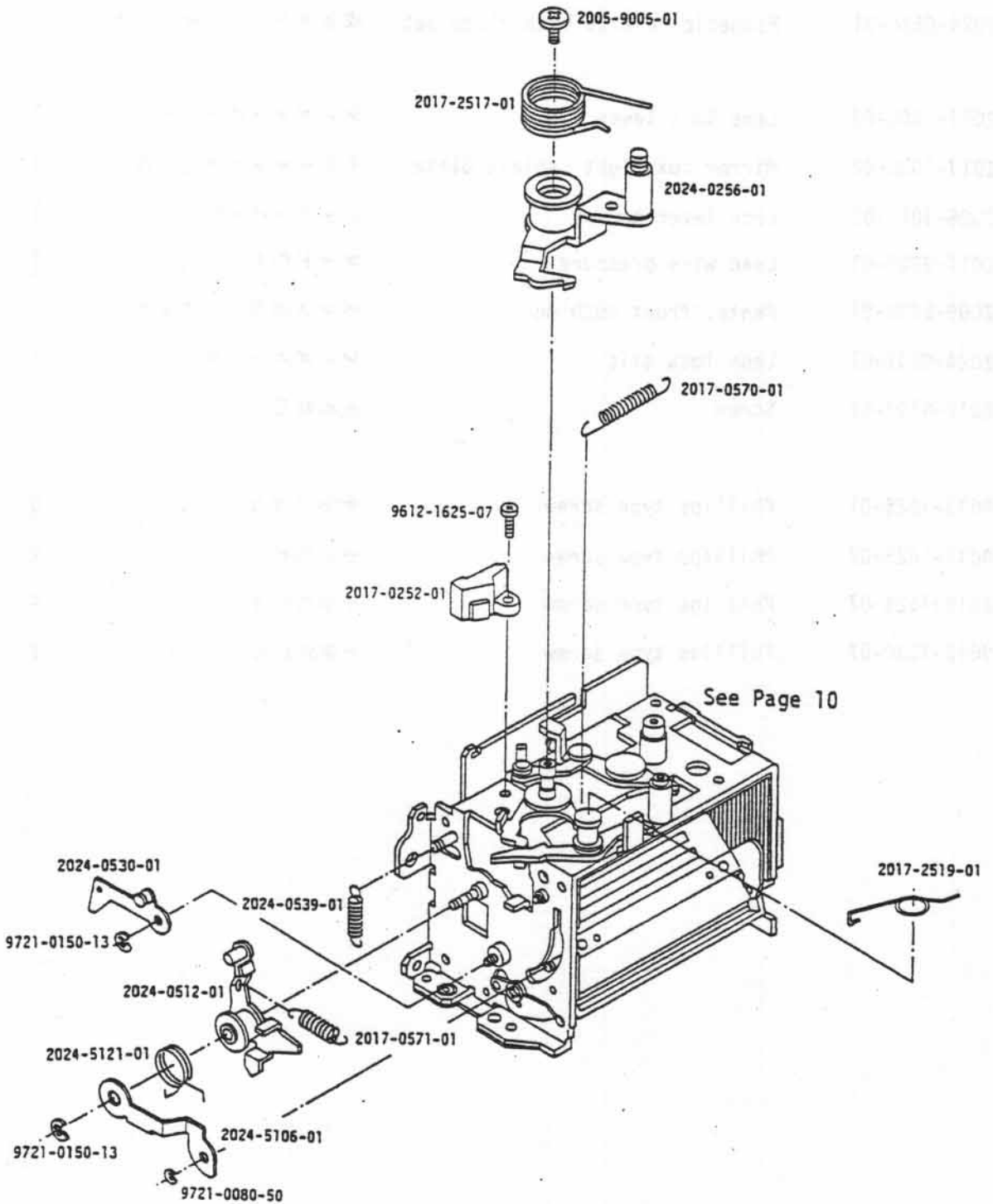


Part No.	Part Name		Qty
2017-0103-03	Front base plate set	前枠セット	1
2017-0153-03	Remote control terminal set	リモコン台板セット	1
2024-0418-01	Self-timer plate set	セルフSW基板セット	1
2024-0534-01	Magnetic release base plate set	絞りストップ台板セット	1
2017-1006-02	Lens lock lever	レンズロックレバー	1
2017-1008-02	Mirror box light shield plate	ミラーボックス遮光板	1
2006-1014-02	Lock lever spring	ロックレバーSP	1
2017-2205-01	Lead wire pressure	コード押え	1
2009-5038-01	Penta. front cushion	ペンタ前面押えクッション	2
2024-9101-01	Lens lock axis	レンズロック軸	1
2017-9107-01	Screw	止めねじ	1
9611-1625-01	Phillips type screw	十字穴付なべ小ねじ	3
9611-1625-07	Phillips type screw	十字穴付なべ小ねじ	2
9612-1625-07	Phillips type screw	十字穴付なべ小ねじ	4
9612-1630-07	Phillips type screw	十字穴付なべ小ねじ	2



X - 3 0 0 Code No.2025-100

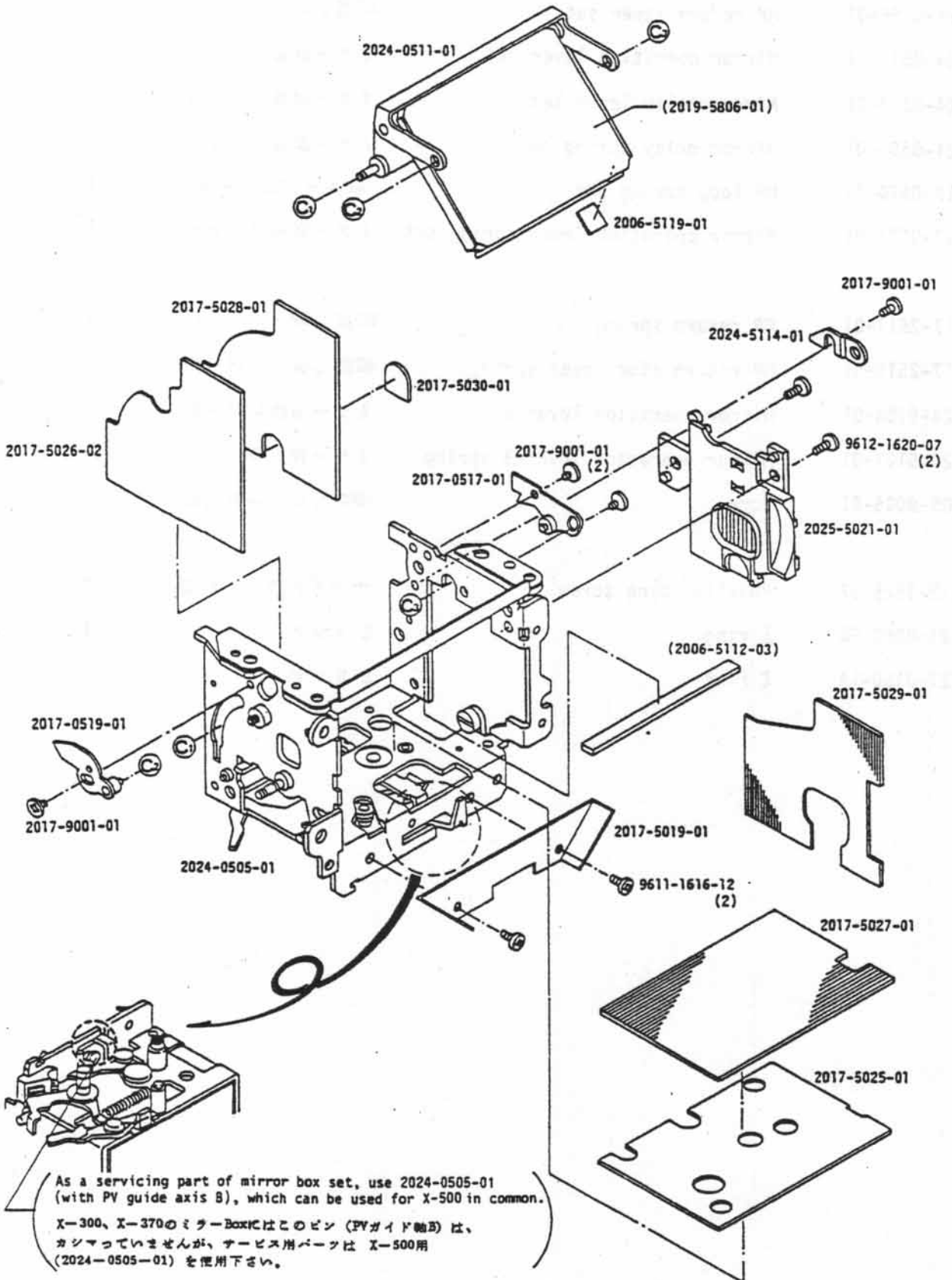
X - 3 7 0 Code No.2025-300



Part No.	Part Name		Qty
2017-0252-01	MP return stopper set	MP戻しストッパーセット	1
2024-0256-01	MP return lever set	MP戻しレバーセット	1
2024-0512-01	Mirror operation lever set	ミラー駆動レバーセット	1
2024-0530-01	Mirror delay lever set	ミラー遅延レバーセット	1
2024-0539-01	Mirror delay spring set	ミラー遅延SPセット	1
2017-0570-01	MP loop spring set	MPループSPセット	1
2017-0571-01	Mirror operation lever spring set	ミラー駆動SPセット	1
2017-2517-01	MP return spring	MP戻しSP	1
2017-2519-01	MP return stop lever spring	MP戻し係止レバーSP	1
2024-5106-01	Mirror operation lever-B	ミラー操作レバー-B	1
2024-5121-01	Mirror operation lever-B spring	ミラー押えSP	1
2005-9005-01	Screw	MP戻しレバー押えねじ	1
9612-1625-07	Phillips type screw	十字穴付なべ小ねじ	1
9721-0080-50	E ring	Eリング	1
9721-0150-13	E ring	Eリング	2

X-300 Code No.2025-100

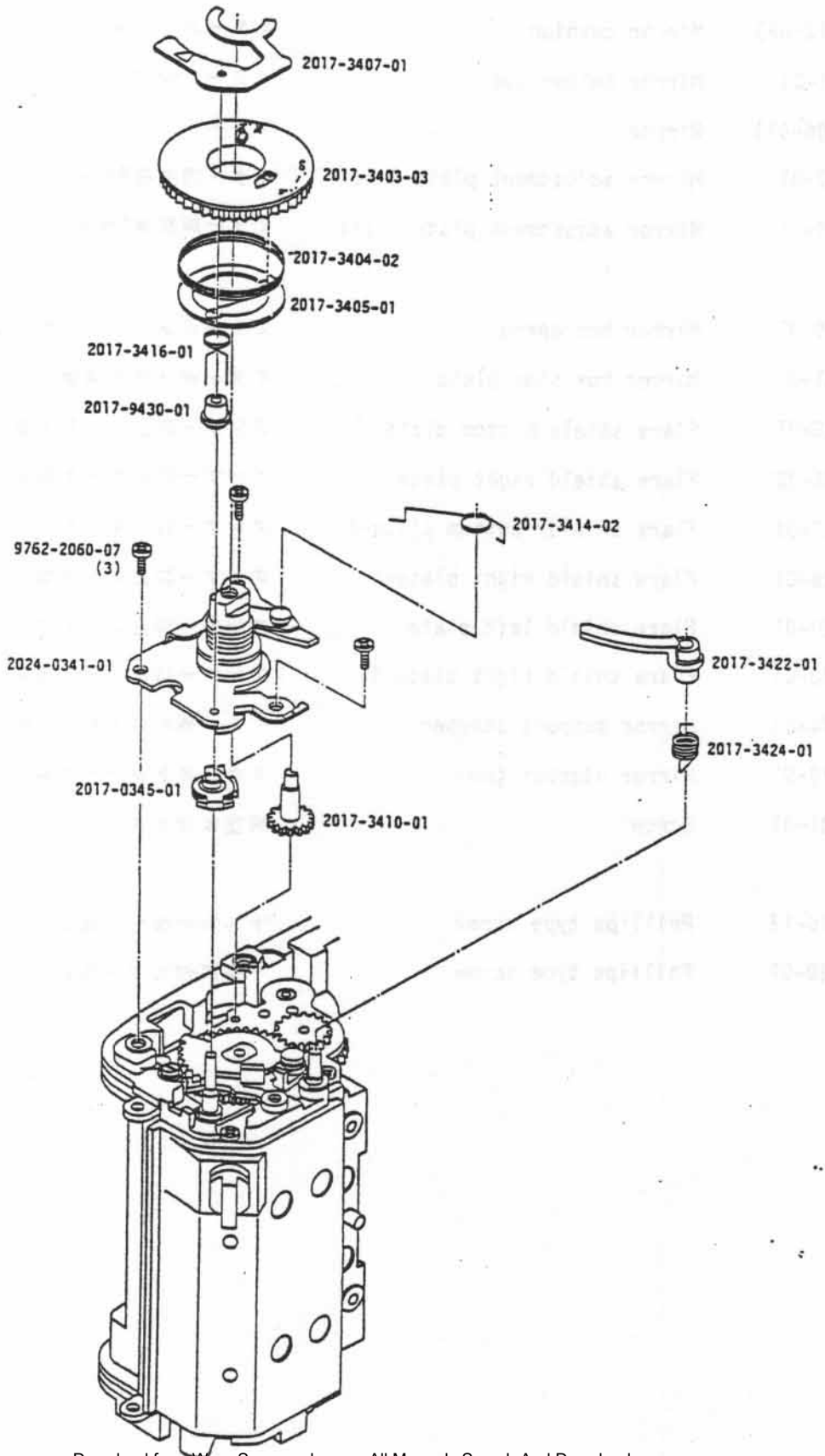
X-370 Code No.2025-300



Part No.	Part Name		Qty
2024-0505-01	Mirror box set	ミラーボックスセット	1
(2006-5112-03)	Mirror cushion	ミラークッション	1
2024-0511-01	Mirror holder set	ミラーホルダーセット	1
(2019-5806-01)	Mirror	ミラー	1
2017-0517-01	Mirror adjustment plate-B set	ミラー調整板Bセット	1
2017-0519-01	Mirror adjustment plate-A set	ミラー調整板Aセット	1
2017-5019-01	Mirror box apron	ミラーボックスエプロン	1
2025-5021-01	Mirror box side plate	ミラーボックス側板	1
2017-5025-01	Flare shield bottom plate	フレアー防止シート下板	1
2017-5026-02	Flare shield right plate	フレアー防止シート右板	1
2017-5027-01	Flare shield bottom plate-A	フレアー防止シート下	1
2017-5028-01	Flare shield right plate-A	フレアー防止シート右A	1
2017-5029-01	Flare shield left plate	フレアー防止シート左	1
2017-5030-01	Flare shield right plate-B	フレアー防止シート右B	1
2024-5114-01	Mirror support stopper	ミラー補助ストッパーB	1
2006-5119-01	Mirror stopper gum	ミラーストッパーゴム	1
2017-9001-01	Screw	調整板押ビス	4
9611-1616-12	Phillips type screw	十字穴付なべ小ねじ	2
9612-1620-07	Phillips type screw	十字穴付なべ小ねじ	2

X - 3 0 0 Code No.2025-100

X - 3 7 0 Code No.2025-300



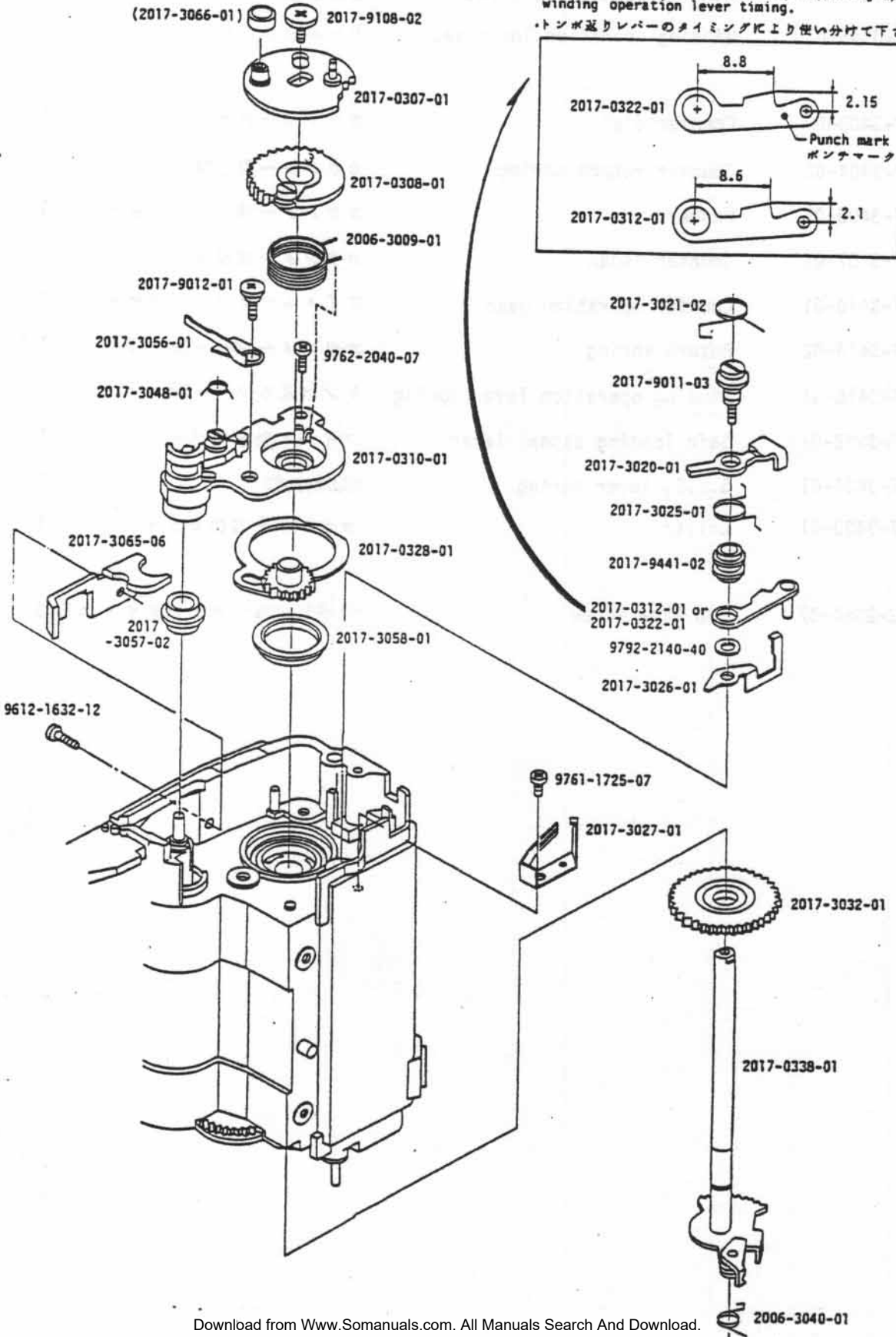
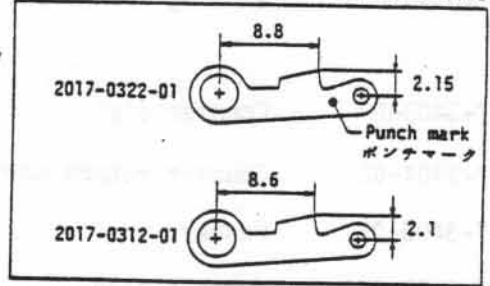
Part No.	Part Name		Qty
2024-0341-01	Winding base plate-B set	巻取台板Bセット	1
2017-0345-01	Winding operation lever set	トンボ返りレバーセット	1
2017-3403-03	Counter dial	カウンターラチエット	1
2017-3404-02	Counter return spring	カウンター戻しSP	1
2017-3405-01	Washer	カウンター補助ワッシャー	1
2017-3407-01	Counter index	カウンター指標板	1
2017-3410-01	Counter operation gear	フィルムカウンターギヤー	1
2017-3414-02	Return spring	カウンターレバー操作SP	1
2017-3416-01	Winding operation lever spring	トンボ返りレバーSP	1
2017-3422-01	Safe loading signal lever	フィルム表示レバー	1
2017-3424-01	S.L.S. lever spring	SLS駆動SP	1
2017-9430-01	Collar	カウンター指標カラー	1
9762-2060-07	Tap tite screw	十字穴付なべタップタイトねじ 3	

X-300 Code No.2025-100

X-370 Code No.2025-300

Use one of parts below properly depending upon winding operation lever timing.

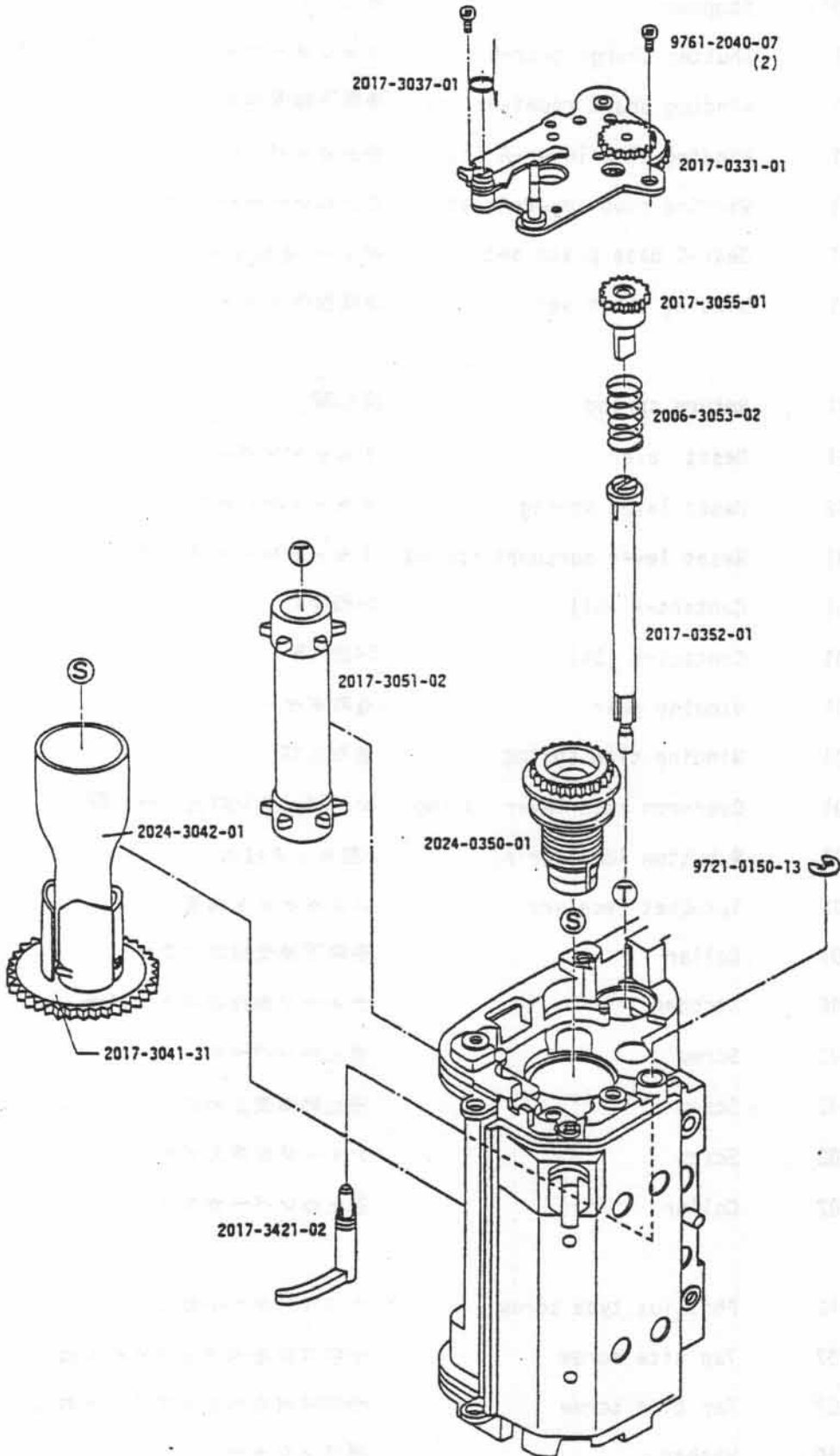
トング返りレバーのタイミングにより使い分けて下さい



Part No.	Part Name		Qty
2017-0307-01	Charge operation plate set	チャージ操作板セット	1
(2017-3066-01)	Stopper	巻上ストッパーゴム	1
2017-0308-01	Shutter charge gear-D set	シャッターチャージギヤ-Dセット	1
2017-0310-01	Winding shaft receiver set	巻取下軸受セット	1
2017-0312-01	Winding stop lever-A set	巻止めレバーAセット	} 1
2017-0322-01	Winding stop lever-A set	巻止めレバーAセット	
2017-0328-01	Gear-C base plate set	ギヤ-C台板セット	1
2017-0338-01	Winding shaft set	巻取操作板セット	1
2006-3009-01	Return spring	戻しSP	1
2017-3020-01	Reset lever	リセットレバー	1
2017-3021-02	Reset lever spring	リセットレバーSP	1
2017-3025-01	Reset lever support spring	リセットレバー補助SP	1
2017-3026-01	Contact-A (S4)	S4接片A	1
2017-3027-01	Contact-B (S4)	S4接片B	1
2017-3032-01	Winding gear	巻取ギヤ	1
2006-3040-01	Winding claw spring	巻取爪SP	1
2017-3048-01	Over-run stop lever spring	オーバーラン防止レバーSP	1
2017-3056-01	R button lock spring	R鈕ロックばね	1
2017-3057-02	Sprocket receiver	スプロケット軸受	1
2017-3058-01	Collar	巻取下軸受補助カラー	1
2017-3065-06	Stopper	チャージ操作板ストッパー	1
2017-9011-03	Screw	巻止めレバー軸	1
2017-9012-01	Screw	巻止め軸受止めねじ	1
2017-9108-02	Screw	チャージ板押えビス	1
2017-9441-02	Collar	巻止めレバーカラー	1
9612-1632-12	Phillips type screw	十字穴付なべ小ねじ	1
9761-1725-07	Tap tite screw	十字穴付なべタップタイトねじ	1
9762-2040-07	Tap tite screw	十字穴付なべタップタイトねじ	1
9792-2140-40	Washer	ワッシャー	1

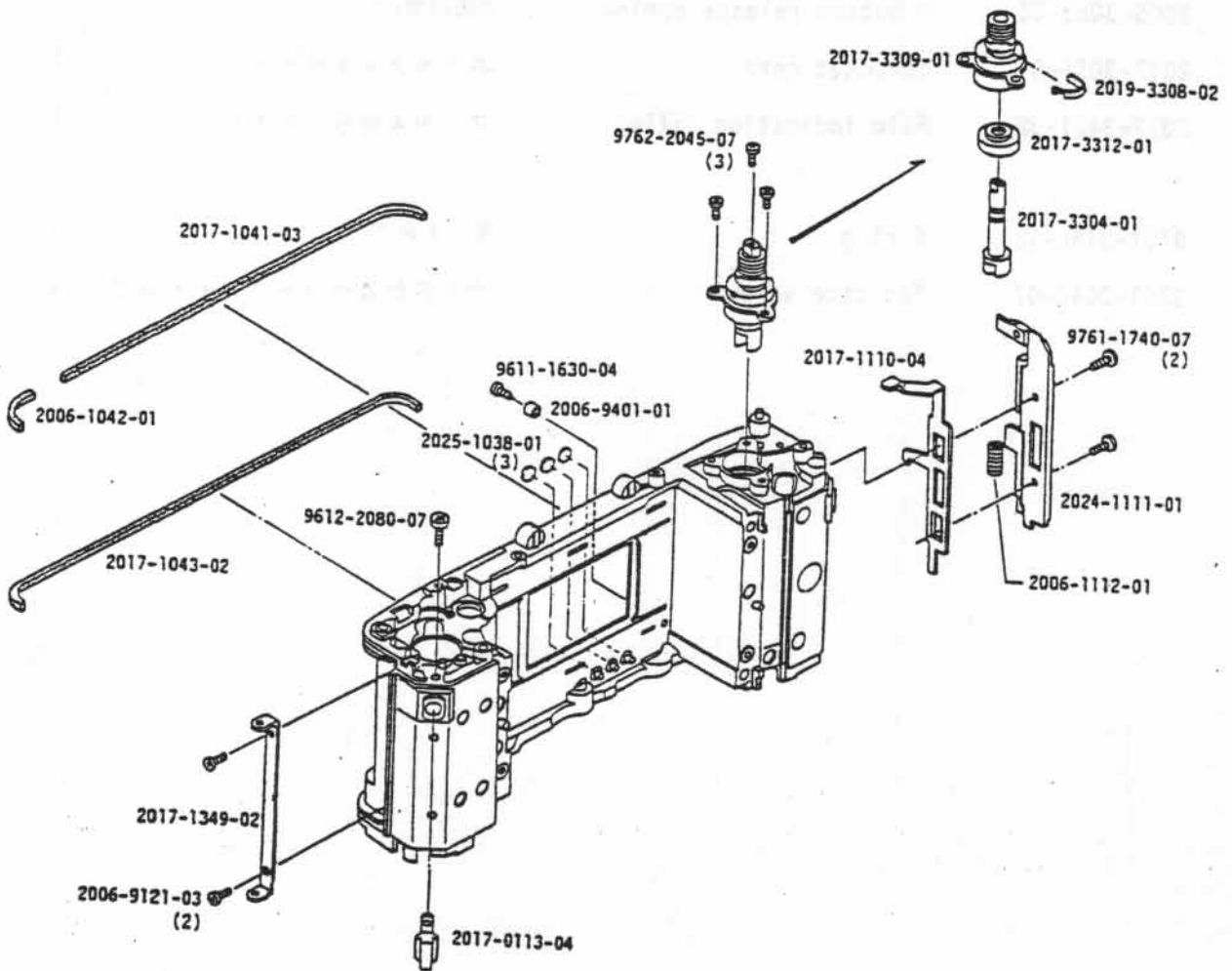
X - 3 0 0 Code No.2025-100

X - 3 7 0 Code No.2025-300



Part No.	Part Name		Qty
2017-0331-01	Winding base plate-A set	巻取台板Aセット	1
2024-0350-01	Spool friction gear set	スプールフリクション ギヤーセット	1
2017-0352-01	Sprocket shaft set	スプロケット軸セット	1
2017-3037-01	Reversion stop lever spring	逆転止めレバーSP	1
2017-3041-31	Spool	スプール	1
2024-3042-01	Spool inner barrel	スプール内筒	1
2017-3051-02	Sprocket	スプロケット	1
2006-3053-02	R button release spring	R鈕解除SP	1
2017-3055-01	Sprocket gear	スプロケットギヤー	1
2017-3421-02	Film indication filler	フィルム表示ファイラー	1
9721-0150-13	E ring	E リング	1
9761-2040-07	Tap tite screw	十字穴付なべタップタイトねじ	2

X-300 Code No.2025-100
 X-370 Code No.2025-300

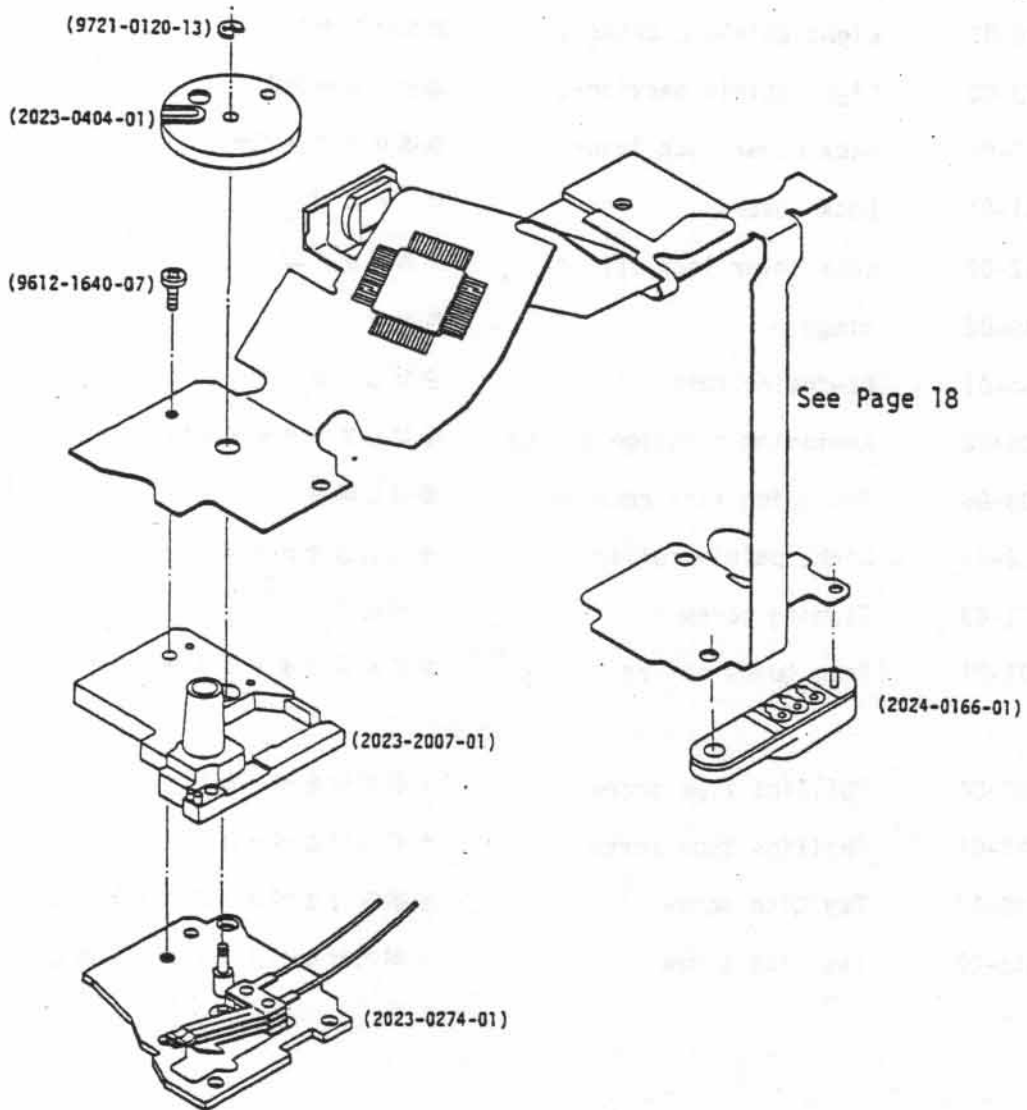


Part No.	Part Name		Qty
2017-0113-04	Strap hanger set	吊環セット	1
2025-1038-01	Mask sheet	信号ピンマスクシート	3
2017-1041-03	Light shield packing-A	遮光パッキンA	1
2006-1042-01	Light shield packing-B	遮光パッキンB	1
2017-1043-02	Light shield packing-C	遮光パッキンC	1
2017-1110-04	Back cover lock lever	裏蓋ロックレバー	1
2024-1111-01	Lock cover	ロックカバー	1
2006-1112-01	Back cover lock spring	裏蓋ロックSP	1
2017-1349-02	Hinge	ヒンジ	1
2017-3304-01	Rewinding fork	巻戻しフオーク	1
2019-3308-02	Rewinding friction spring	巻戻しフリクションSP	1
2017-3309-01	Rewinding axis receiver	巻戻し軸受	1
2017-3312-01	Light shield collar	巻戻し遮光カラー	1
2006-9121-03	Tapping screw	止めねじ	2
2006-9401-01	Film guide collar	フィルムガイドカラー	1
9611-1630-04	Phillips type screw	十字穴付なべ小ねじ	1
9612-2080-07	Phillips type screw	十字穴付なべ小ねじ	1
9761-1740-07	Tap tite screw	十字穴付なべタップタイトねじ	2
9762-2045-07	Tap tite screw	十字穴付なべタップタイトねじ	3

X - 3 0 0 Code No.2025-100

X - 3 7 0 Code No.2025-300

Assy. Part No.2025-0401-01

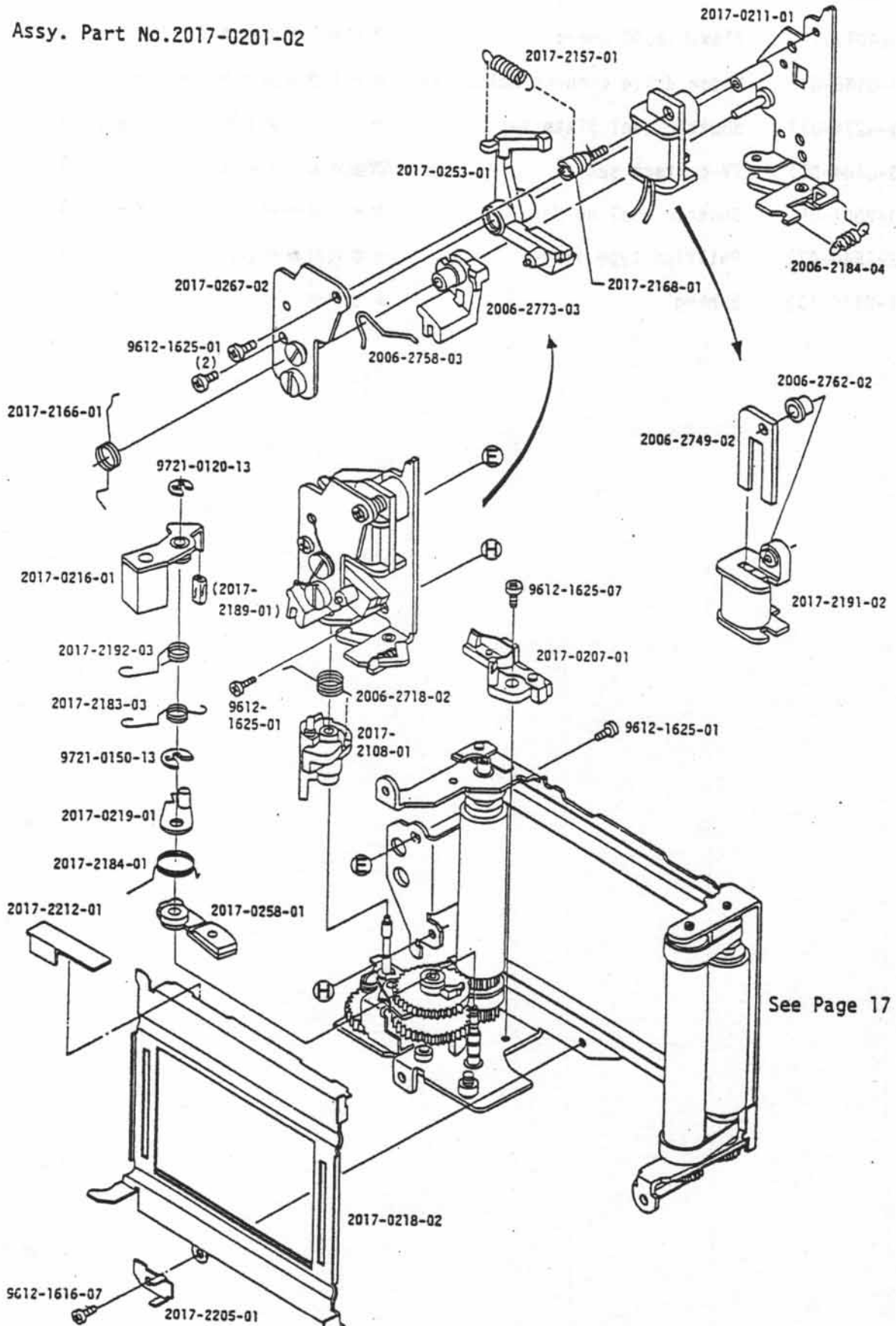


Part No.	Part Name		Qty
2025-0401-01	Flexible PC board	フレキシブル基板セット	1
(2024-0166-01)	Motor drive connect holder set	モータラ接点ホルダーセット	1
(2023-0274-01)	Shutter dial plate set	シャッターダイヤル台板セット	1
(2023-0404-01)	TV contact set	TV接片ホルダーセット	1
(2023-2007-01)	Shutter dial holder	シャッターダイヤルホルダー	1
(9612-1640-07)	Phillips type screw	十字穴付なべ小ねじ	1
(9721-0120-13)	E ring	Eリング	1

X-300 Code No.2025-100.

X-370 Code No.2025-300

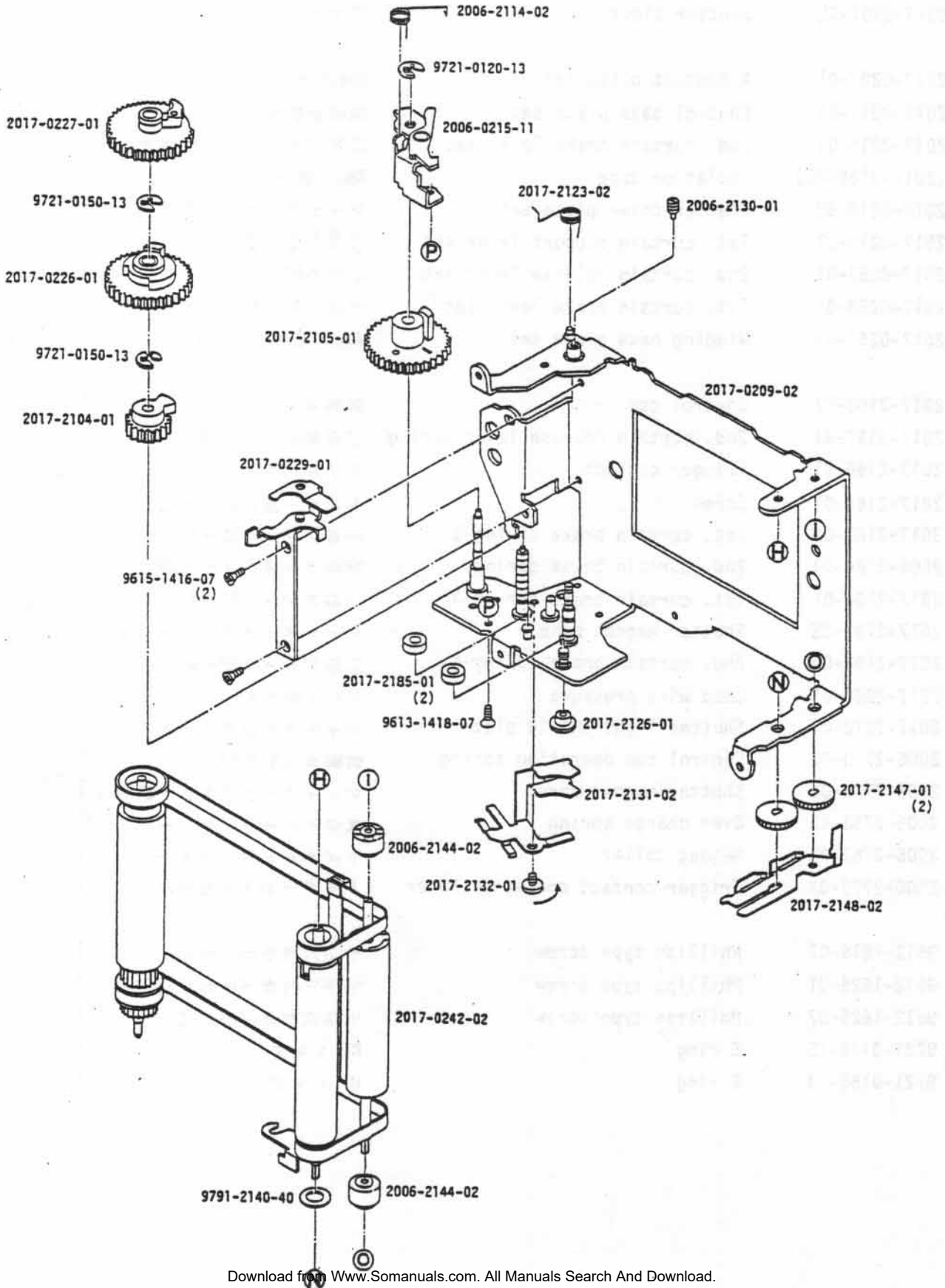
Assy. Part No.2017-0201-02



See Page 17

Part No.	Part Name		Qty
2017-0201-02	Shutter block	シャッターブロック	1
2017-0207-01	X contact plate set	X接片セット	1
2017-0211-01	Control base plate set	制御台板セット	1
2017-0216-01	2nd. curtain brake lever set	二幕ブレーキレバーセット	1
(2017-2189-01)	Isolation tube	X接片絶縁チューブ	1
2017-0218-02	Shutter cover plate set	シャッターカバー板セット	1
2017-0219-01	1st. curtain support lever set	一幕ブレーキ補助 レバーセット	1
2017-0253-01	2nd. curtain release lever set	二幕解除レバーセット	1
2017-0258-01	1st. curtain brake lever set	一幕ブレーキレバーセット	1
2017-0267-02	Winding base plate set	Mag. 配線基板セット	1
2017-2108-01	Control cam	制御カム	1
2017-2157-01	2nd. curtain release lever spring	二幕解除レバーSP	1
2017-2166-01	Trigger contact	トリガー接片	1
2017-2168-01	Screw	トリガー基板取付ねじ	1
2017-2183-03	1st. curtain brake spring-B	一幕ブレーキSP-B	1
2006-2184-04	2nd. curtain brake spring	制御カム係止レバーSP	1
2017-2184-01	1st. curtain brake spring-A	一幕ブレーキSP-A	1
2017-2191-02	Shutter magnet bobbin	シャッターマグネットボビン	1
2017-2192-03	2nd. curtain brake spring-A	二幕ブレーキSP-A	1
2017-2205-01	Lead wire pressure	リード線押え	1
2017-2212-01	Shutter light shield plate	シャッター遮光シート	1
2006-2718-02	Control cam operation spring	制御カム駆動SP	1
2006-2749-02	Shutter magnet core	シャッターマグネット鉄芯	1
2006-2758-03	Over charge spring	吸着片オーバーチャージSP	1
2006-2762-02	Magnet collar	マグネット取付カラー	1
2006-2773-03	Trigger contact operation lever	トリガー接片作動レバー	1
9612-1616-07	Phillips type screw	十字穴付なべ小ねじ	1
9612-1625-01	Phillips type screw	十字穴付なべ小ねじ	4
9612-1625-07	Phillips type screw	十字穴付なべ小ねじ	1
9721-0120-13	E ring	E リング	1
9721-0150-13	E ring	E リング	1

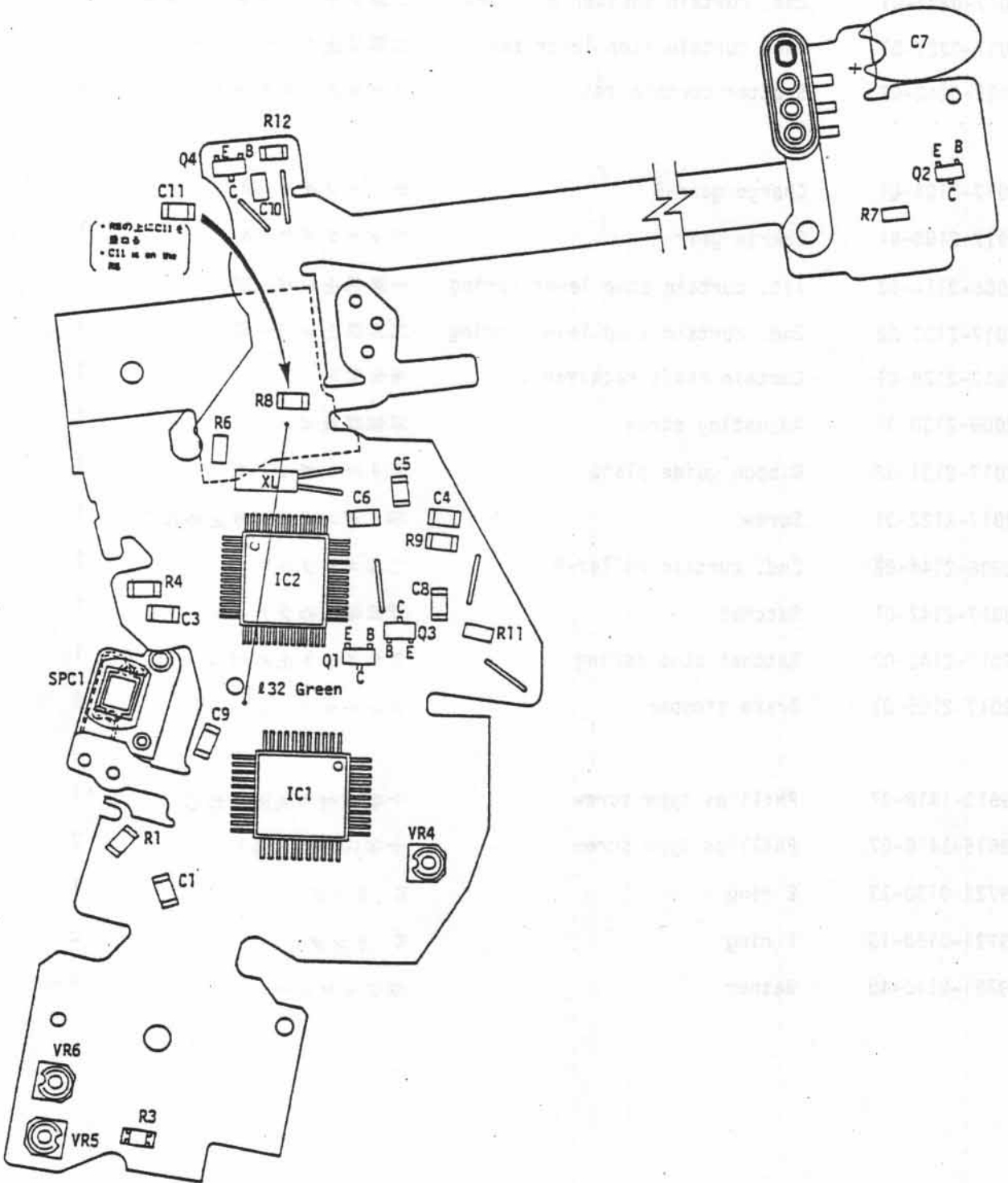
X-300 Code No.2025-100
X-370 Code No.2025-300



Part No.	Part Name		Qty
2017-0209-02	Shutter base plate set	シャッター台板セット	1
2006-0215-11	1st. curtain stop lever set	一幕係止レバーセット	1
2017-0226-01	1st. curtain shutter gear set	一幕シャッターギヤーセット	1
2017-0227-01	2nd. curtain shutter gear set	二幕シャッターギヤーセット	1
2017-0229-01	2nd. curtain stop lever set	二幕係止レバーセット	1
2017-0242-02	Shutter curtain set	シャッター幕セット	1
2017-2104-01	Charge gear-B	チャージギヤー-B	1
2017-2105-01	Charge gear-A	チャージギヤー-A	1
2006-2114-02	1st. curtain stop lever spring	一幕係止レバーSP	1
2017-2123-02	2nd. curtain stop lever spring	二幕係止レバーSP	1
2017-2126-01	Curtain shaft receiver-B	幕軸受B	1
2006-2130-01	Adjusting screw	幕軸調整ビス	1
2017-2131-02	Ribbon guide plate	幕リボンガイド板	1
2017-2132-01	Screw	幕リボンガイド板止めねじ	1
2006-2144-02	2nd. curtain roller-B	二幕ローラーB	2
2017-2147-01	Ratchet	SP筒軸止めラチエット	2
2017-2148-02	Ratchet stop spring	ラチエット止めばね	1
2017-2185-01	Brake stopper	ブレーキストッパー	2
9613-1418-07	Phillips type screw	十字穴付半丸皿小ねじ	1
9615-1416-07	Phillips type screw	十字穴付皿小ねじ	2
9721-0120-13	E ring	E リング	1
9721-0150-13	E ring	E リング	2
9791-2140-40	Washer	薄ワッシャー	1

X-300 Code No.2025-100

X-370 Code No.2025-300



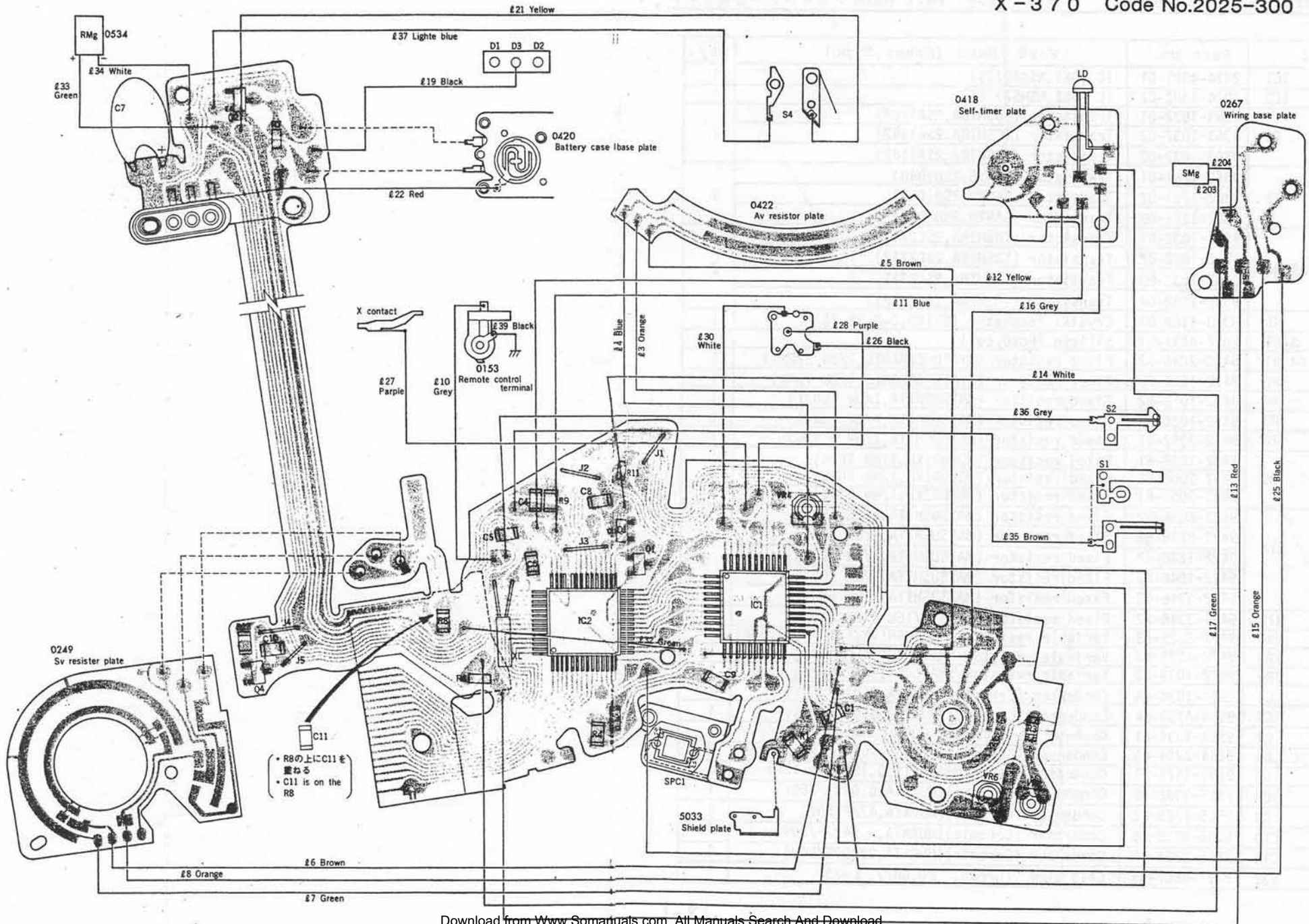
Assy. Part No. 2025-0401-01

Assy. Part Name フレキシブル基板セット

Symbol	Part No.	Part Name (Maker, Type)	Qty.
IC1	2024-4301-01	IC (OKI,MSA402GS)	1
IC2	2024-4302-02	IC (OKI,MSM5237GS)	1
Q1	9363-1032-01	Transistor (TOSHIBA,2SA1162)	1
	9363-1032-02	Transistor (TOSHIBA,2SA1162)	
	9363-1032-03	Transistor (TOSHIBA,2SA1162)	
Q2	9362-1261-01	Transistor (SANYO,2SD1048)	1
	9362-1261-02	Transistor (SANYO,2SD1048)	
	9362-1261-03	Transistor (SANYO,2SD1048)	
Q3,Q4	9362-1032-01	Transistor (TOSHIBA,2SC2712)	2
	9362-1032-02	Transistor (TOSHIBA,2SC2712)	
	9362-1032-03	Transistor (TOSHIBA,2SC2712)	
	9362-1032-04	Transistor (TOSHIBA,2SC2712)	
XL	9373-4162-01	Crystal resonator (SEIKO,C-2-32.7)	1
SPC1	2024-0491-01	Silicon Photo cell	1
R4,R1	9432-2246-62	Fixed resistor (KYOTO CERAMIC,1/8W 220k Ω)	2
R3	9432-1536-62	Fixed resistor (KYOTO CERAMIC,1/8W 15k Ω)	1
R6	9422-1016-62	Fixed resistor (MATSUSHITA,1/8W 100 Ω)	1
R7	9422-1026-62	Fixed resistor (MATSUSHITA,1/8W 1k Ω)	1
R8	9432-3357-61	Fixed resistor (MATSUSHITA,1/8W 3.3M Ω)	1
R9	9432-1068-61	Fixed resistor (HOKURIKU,1/8W 10M Ω)	1
	9432-2068-61	Fixed resistor (HOKURIKU,1/8W 20M Ω)	
	9432-3068-61	Fixed resistor (HOKURIKU,1/8W 30M Ω)	
R11	9422-6836-62	Fixed resistor (MATSUSHITA,1/8W 68k Ω)	1
	9422-8236-62	Fixed resistor (MATSUSHITA,1/8W 82k Ω)	
	9422-1246-62	Fixed resistor (MATSUSHITA,1/8W 120k Ω)	
	9422-1846-62	Fixed resistor (MATSUSHITA,1/8W 180k Ω)	
	9422-3946-62	Fixed resistor (MATSUSHITA,1/8W 390k Ω)	
R12	9431-3348-62	Fixed resistor (ALPS,1/16W 330k Ω)	1
VR4	9472-3329-63	Variable resistor (MATSUSHITA,EVM-14G 3.3k Ω)	1
VR5	9472-1539-63	Variable resistor (MATSUSHITA,EVM-14G 15k Ω)	1
VR6	9472-1039-63	Variable resistor (MATSUSHITA,EVM-14G 10k Ω)	1
C1	9565-1034-64	Condenser (Ceramic)(MURATA,0.01 μ F/50V)	1
C3	9564-4734-64	Condenser (Ceramic)(MURATA,0.047 μ F/25V)	1
C4	9564-1034-61	Condenser (Ceramic)(KYOTO CERAMIC,0.01 μ F/25V)	1
C6,C5	9564-2204-65	Condenser (Ceramic)(KYOTO CERAMIC,22PF/25V)	2
C7	9531-1575-61	Condenser (Tantalum)(MATSUO,150 μ F/3.15V)	1
C8	9565-3338-65	Condenser (Ceramic)(MURATA,0.033 μ F/50V)	1
C9	9565-4705-62	Condenser (Ceramic)(MURATA,47PF/50V)	1
C10	9565-4738-65	Condenser (Ceramic)(MURATA,0.047 μ F/50V)	1
C11	9565-3324-64	Condenser (Ceramic)(MURATA,3300PF/50V)	1
Q32	9391-0807-05	Lead wire (Green, ϕ 0.08/7, $l=35$)	1

Lead wires list

Symbol	Part No.	Color	Type	Qty.
Ⓛ 3	9391-0507-03	Orange	ϕ 0.05/7 Ⓛ =70	1
Ⓛ 4	9391-0507-06	Blue	ϕ 0.05/7 Ⓛ =70	1
Ⓛ 5	9391-0507-01	Brown	ϕ 0.05/7 Ⓛ =80	1
Ⓛ 6	9391-0507-01	Brown	ϕ 0.05/7 Ⓛ =85	1
Ⓛ 7	9391-0507-05	Green	ϕ 0.05/7 Ⓛ =90	1
Ⓛ 8	9391-0507-03	Orange	ϕ 0.05/7 Ⓛ =95	1
Ⓛ 10	9391-0807-08	Gray	ϕ 0.08/7 Ⓛ =40	1
Ⓛ 11	9391-0807-06	Blue	ϕ 0.08/7 Ⓛ =95	1
Ⓛ 12	9391-0807-04	Yellow	ϕ 0.08/7 Ⓛ =95	1
Ⓛ 13	9391-0807-02	Red	ϕ 0.08/7 Ⓛ =105	1
Ⓛ 14	9391-0807-09	White	ϕ 0.08/7 Ⓛ =75	1
Ⓛ 15	9391-0807-03	Orange	ϕ 0.08/7 Ⓛ =105	1
Ⓛ 16	9391-0807-08	Gray	ϕ 0.08/7 Ⓛ =65	1
Ⓛ 17	9391-0807-05	Green	ϕ 0.08/7 Ⓛ =115	1
Ⓛ 19	9391-0807-00	Black	ϕ 0.08/7 Ⓛ =35	1
Ⓛ 21	9391-0807-04	Yellow	ϕ 0.08/7 Ⓛ =160	1
Ⓛ 22	9391-0807-02	Red	ϕ 0.08/7 Ⓛ =30	1
Ⓛ 25	9391-0807-00	Black	ϕ 0.08/7 Ⓛ =50	1
Ⓛ 26	9391-0807-00	Black	ϕ 0.08/7 Ⓛ =80	1
Ⓛ 27	9391-0807-07	Purple	ϕ 0.08/7 Ⓛ =145	1
Ⓛ 28	9391-0807-07	Purple	ϕ 0.08/7 Ⓛ =50	1
Ⓛ 30	9391-0807-09	White	ϕ 0.08/7 Ⓛ =65	1
Ⓛ 32	9391-0807-05	Green	ϕ 0.08/7 Ⓛ =35	1
Ⓛ 35	9391-0807-01	Brown	ϕ 0.08/7 Ⓛ =70	1
Ⓛ 36	9391-0807-08	Gray	ϕ 0.08/7 Ⓛ =70	1
Ⓛ 37	9391-0807-11	Light Blue	ϕ 0.08/7 Ⓛ =170	1
Ⓛ 39	9391-0507-00	Black	ϕ 0.05/7 Ⓛ =30	1



Free Manuals Download Website

<http://myh66.com>

<http://usermanuals.us>

<http://www.somanuals.com>

<http://www.4manuals.cc>

<http://www.manual-lib.com>

<http://www.404manual.com>

<http://www.luxmanual.com>

<http://aubethermostatmanual.com>

Golf course search by state

<http://golfingnear.com>

Email search by domain

<http://emailbydomain.com>

Auto manuals search

<http://auto.somanuals.com>

TV manuals search

<http://tv.somanuals.com>