

Panasonic

ideas for life

AG-A850

Multi-Event Editing Controller
(NTSC • PAL)



Edit controller with 512-Event Memory Provides Simultaneous Control of 5 VTRs

Equipped with five RS-422 (9-pin) VTR remote terminals, the AG-A850 edit controller can control five VTRs and produce up to three tapes at one time. This unit also features a multi-event memory that stores up to 512 events for automatic and continuous editing.

The AG-A850's two sets of Jog and Shuttle dials and 10-key pads assure easy operation, while EDL Management headlines a variety of convenient functions.

The AG-A850 can be used with a variety of systems, from ENG editing to program production.

AG-A850 Multi-Event Editing Controller

Accommodates 5 VTRs

The AG-A850 is equipped with 5 RS-422 (9-pin) remote terminals for connection with VTRs. When you connect 4 players and 1 recorder, the AG-A850 allows control of 2 players as source machines. (Any of the connected VTRs can serve as the recording source, with selection made at the control panel.) When 2 players and 3 recorders are connected, all 3 recorders can be controlled, allowing simultaneous production of three tapes.

512-Event Memory

Thanks to a multi-event memory that stores up to 512 events, a program with many cuts can be automatically and continuously edited. For convenience, the data is held in memory for 3 days.

2 Jog & Shuttle Dials, 10 Key Control

Two sets of Jog and Shuttle dials assure excellent control, while a 10-key pads adds convenience when entering edit points. The AG-A850 can be used with a variety of systems, from ENG editing to program production.

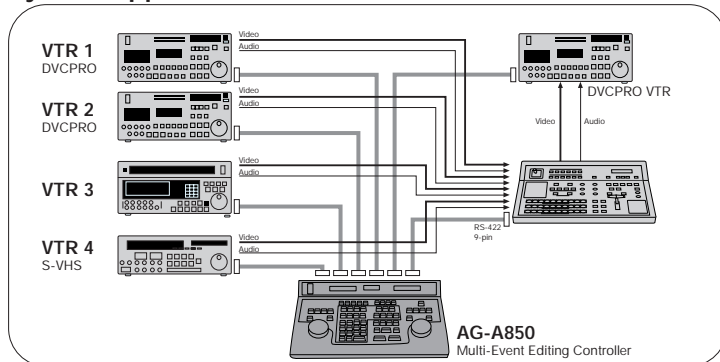
GPI Ports

The AG-A850 provides two GPI ports (pin-jack), one of which can be set for two operations in one event to allow control of a CD, DVE or character-generator device that has a GPI input terminal.

Additional Features

- ◆ Monitor Display(Output)
- ◆ Simple-Mode Setting(Cut Editing/Single Event)
- ◆ A/B Roll Editing
- ◆ 4-Channel Audio Editing
- ◆ Highly Precise Editing(±0 frame with TC Editing)
- ◆ Color Frame Editing
- ◆ Audio Split Editing
- ◆ Slow-Motion Editing using VTRs with AT(auto-tracking) on Digital slow
- ◆ Auto Tag Function for Easy Multi-Event Editing

System Application



NOTE: The AG-A850 can control up to 2 VTRs as source machines.

Specifications

GENERAL

Power Source: AG-A850P (NTSC Model): AC 120V, 50/60Hz
AG-A850E (PAL Model): AC 220 ~ 240V, 50/60Hz
Power Consumption: AG-A850P: 9W, AG-A850E: 10W
Operating Temperature: 5° to 40°C (41°F to 104°F)
Operating Humidity: 35 to 80%
Dimensions (W x H x D): 424 x 107 x 279 mm (16 11/16" x 4 3/16" x 11")
Weight: 3.2 kg (7.1 lbs.)

EDITING SYSTEM

Memory Capacity: 512 events (3 days' back-up)
VCR Control: Recorder: PLAY, STILL, REW, FF, STOP, EJECT, STB OFF, REC, DIAL (JOG, SHTL)
Player: PLAY, STILL, REW, FF, STOP, EJECT, STB OFF, DIAL (JOG, SHTL/VAR)
Editing Control: AUTO EDIT/END, PREVIEW, REVIEW, GO TO, GO TO OUT, ALL STOP
VTR/AUX Selection: P1, P2, P3, P4, R, AUX1, AUX2, AUX3, AUX4
Editing Mode: ASMBL (Assemble), INS V/A1/A2/A3/A4/TC (Insert), CUT, A/B ROLL, Audio Split, Color Frame, Slow-Motion editing ±0 frame (TC editing, except Slow-Motion editing and Color Frame editing)
Editing Accuracy: WIPE, DISS
Effect Type: MARK IN, MARK OUT, ENTRY IN/OUT/DUR, LAST X, TRACK, C
Edit Point Input: EVENT, TRANS, PATTERN, FROM, TO, FS, BS, LAST ED, TOTAL, CORCT
EDL Input: Event Insert, Delete, Move, Copy, Renumber
Managing List: SETUP, CONFIG, T SET, SYNC GRADE, TC/CTL, CTL RESET
Setting: DUMP, LOAD
Other Function: CTL (Control Signal), TC (SMPT/EBU Time Code), VITC
Edit Reference Signal: 0, 3, 5, 7, 10, 15 sec., AUTO
Preroll Time: 0.5, 1, 2, 3, 5, 7, 10 sec.
Postroll Time: 0.5, 1, 2, 3, 5, 7, 10 sec.

DISPLAY

Counter Display: Event/Trans/Pattern No. Indication
Event Display: NTSC: Max. 23-hour 59-min. 59-sec. 29-frame
PAL: Max. 23-hour 59-min. 59-sec. 24-frame
Monitor Display: SET UP, CONFIG, INFO, LIST (EDL), TV monitor

CONNECTORS

VTR I/F (RS-422): 9-pin x 6 (Spare x 1)
SW I/F (RS-422): 9-pin x 1
EDL I/F (RS-232C): 9-pin x 2 (Spare x 1)
GPI: Pin-jack x 2
TTL output level: Low 0 - 0.5V (10mA)
High: 3.0 ~ 5V (-1mA)
REF Video In: BNC x 1, 75Ω On/Off, Composite Video Signal 1.0Vp-p ±0.2Vp-p, 75Ω
Monitor In: BNC x 1, Composite Video Signal 1.0Vp-p ±0.2Vp-p, 75Ω
Monitor Out: BNC x 1, Composite Video Signal 1.0Vp-p ±0.2Vp-p, 75Ω
Max. Connectable VCR Number: 5 VCRs (as recorder; max. 3 VCRs)
Connectable VCR: VCR, equipped with 9-pin remote-connector, such as D-3, D-5, DVCPRO, Disc*, MII, S-VHS**
Connectable Switcher: Switcher/DVE, equipped with 9-pin remote-connector, such as WJ-MX50, GVG-100/110
Standard Accessory: Power Cable

* Only NTSC models are connectable. **Some models are limited in some editing function.



Warning:

Unauthorized recording of copyrighted television programs, films, video tapes and other materials may infringe upon the rights of copyright owners and be contrary to copyright laws.
Weight and dimensions shown are approximate. Specifications subject to change without notice.
This product may be subject to export control regulations.

Panasonic

Matsushita Electric Industrial Co., Ltd.
Systems Business Group
2-15 Matsuba-cho, Kadoma, Osaka 571-8503
Japan
Phone +81 6 6905 4650 Fax +81 6 6908 5969
<https://www.pavc.panasonic.co.jp/pro-av/>

[Countries and Regions]

Argentina	+54 1 308 1610	Korea	+82 2 2106 6641	South Africa	+27 11 313 1400
Australia	+61 2 9887 6222	Kuwait	+965 481 2123	Spain	+34 (93) 425 93 00
Austria	+43 (0)1 610 80 773	Lebanon	+961 1 216827	Sweden	+46 (8) 680 26 41
Bahrain	+973 252292	Malaysia	+60 3 5549 5422 (PSE)	Switzerland	+41 (0)41 259 96 32
Belgium	+32 (0)2 481 04 57	Mexico	+60 3 5546 7000 (PM)	Taiwan	+886 2 2725 9100
Bulgaria	+359 2 946 0786	Montenegro, Serbia	+52 55 5488 1000	Thailand	+66 2 731 8888
Brazil	+55 11 3889 4035	Netherlands	+41 (0)26 466 25 20	Turkey	+90 216 578 3700
Canada	+1 905 624 5010	New Zealand	+31 73 64 02 577	U.A.E.	+971 4 282201
China	+86 10 6515 8828	Norway	+48 22)338 1100	Ukraine	+380 44 4903437
(Hong Kong	+852 2313 0888)	Pakistan	+64 9 272 0100		+380 44 4903438
Czech Republic	+420 236 032 552/511	Panama	+47 67 91 78 00		[ext. 112]
Denmark	+45 43 20 08 57	Peru	+92 5370320 21	U.K.	+44 (0) 1344 70 69 20
Egypt	+20 2 3938151	Philippines	+507 229 2955	U.S.A.	+1 201 348 5300
Finland, Latvia, Lithuania, Estonia	+51 1 614 0000	Poland	+51 1 614 0000		
France	+358 (9)521 52 53	Portugal	+63 2 633 6162		
Germany	+33 (0)1 49 46 43 59	Puerto Rico	+48 (22)338 1100		
Greece	+49 (0)611 235 481	Romania	+351 21 425 77 04		
Hungary	+30 210 96 92 300	Russia & CIS	+1 787 750 4300		
Indonesia	+36 (1)382 60 60	Saudi Arabia	+40 21 211 4855		
	+62 21 801 5666	Singapore	+7 095 258 42 06		
	+62 21 385 9449	Slovak Republic	+966 1 465 0709		
	+98 21 2271463	Slovenia, Croatia, Bosnia, Macedonia	+65 6270 0110		
	+39 02 67 88 449		+421 (0)2 52 92 14 23		
	+961 6 586 1914		+44 (0)20 76 63 36 57		
	+7 3272 504 777				



SP-AGA850PE4



7K506MM-1 Printed in Japan

Download from www.Somanuals.com. All Manuals Search And Download.

Free Manuals Download Website

<http://myh66.com>

<http://usermanuals.us>

<http://www.somanuals.com>

<http://www.4manuals.cc>

<http://www.manual-lib.com>

<http://www.404manual.com>

<http://www.luxmanual.com>

<http://aubethermostatmanual.com>

Golf course search by state

<http://golfingnear.com>

Email search by domain

<http://emailbydomain.com>

Auto manuals search

<http://auto.somanuals.com>

TV manuals search

<http://tv.somanuals.com>