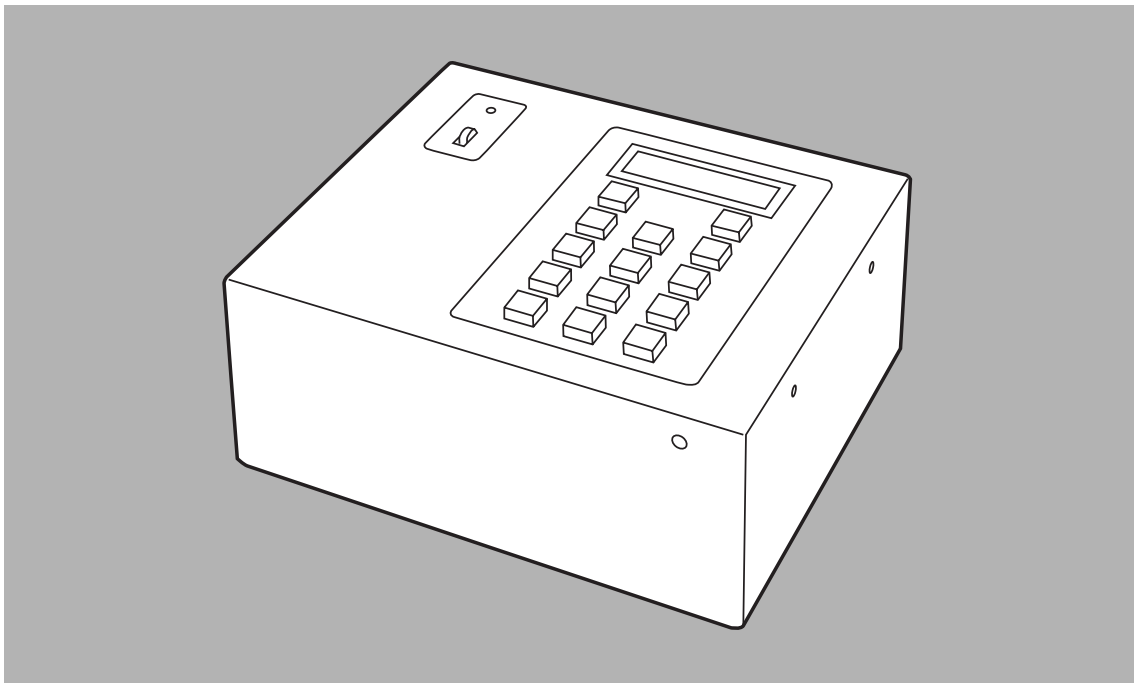


# Operating Instructions



Dial Up Adapter


Model AW-DU600P




## Panasonic®

Before attempting to connect, operate or adjust this product, please read these instructions completely.

	<b>CAUTION</b> RISK OF ELECTRIC SHOCK DO NOT OPEN	
CAUTION: TO REDUCE THE RISK OF ELECTRIC SHOCK, DO NOT REMOVE COVER (OR BACK). NO USER SERVICEABLE PARTS INSIDE. REFER SERVICING TO QUALIFIED SERVICE PERSONNEL.		

 The lightning flash with arrowhead symbol, within an equilateral triangle, is intended to alert the user to the presence of uninsulated "dangerous voltage" within the product's enclosure that may be of sufficient magnitude to constitute a risk of electric shock to persons.

 The exclamation point within an equilateral triangle is intended to alert the user to the presence of important operating and maintenance (service) instructions in the literature accompanying the appliance.

**WARNING:**

**TO REDUCE THE RISK OF FIRE OR SHOCK HAZARD, DO NOT EXPOSE THIS EQUIPMENT TO RAIN OR MOISTURE.**

**CAUTION:**

**TO REDUCE THE RISK OF FIRE OR SHOCK HAZARD AND ANNOYING INTERFERENCE, USE THE RECOMMENDED ACCESSORIES ONLY.**


**FCC Note:**

This device complies with Part 15 of the FCC Rules. To assure continued compliance follow the attached installation instructions and do not make any unauthorized modifications.

This equipment has been tested and found to comply with the limits for a class A digital device, pursuant to Part 15 of the FCC Rules. These limits are designed to provide reasonable protection against harmful interference when the equipment is operated in a commercial environment. This equipment generates, uses, and can radiate radio frequency energy and, if not installed and used in accordance with the instruction manual, may cause harmful interference to radio communications. Operation of this equipment in a residential area is likely to cause harmful interference in which case the user will be required to correct the interference at his own expense.

**CAUTION:**

- **Keep the temperature inside the rack to between 41°F to 104°F (5°C to 40°C).**
- **Bolt the rack securely to the floor so that it will not topple over when VTR is drawn out.**

 indicates safety information

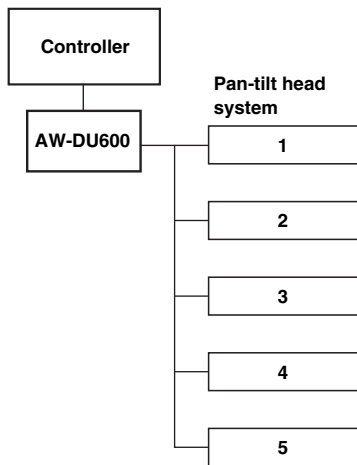
# Contents

<b>Introduction</b> .....	<b>3</b>	<b>Menu settings</b> .....	<b>17</b>
<b>Accessories</b> .....	<b>3</b>	<b>Attaching the rack mounting adapters</b> .....	<b>19</b>
<b>Parts and their functions</b> .....	<b>4</b>	<b>Changing the position of the rear panel</b> .....	<b>19</b>
Control panel .....	4	<b>Attaching the joint angle adapter</b> .....	<b>20</b>
Rear panel .....	5	<b>Specifications</b> .....	<b>21</b>
<b>Connections</b> .....	<b>6</b>		

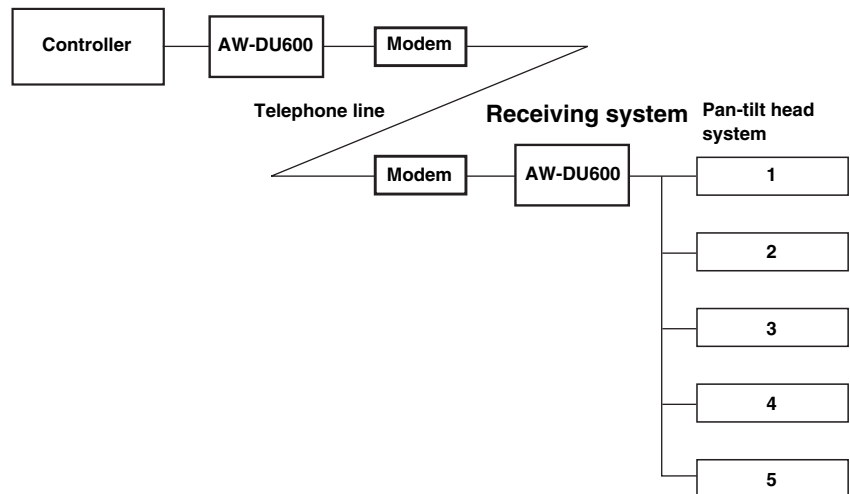
## Introduction

- This adapter enables remote control of a pan-tilt head system using a telephone line.  
It is also possible to control a pan-tilt head system directly, without the use of a telephone line, using the direct mode.  
When control is to be performed via a telephone line, one of these units (AW-DU600) is required for the system at both the transmitting and receiving ends.
- When an AW-RP505, AW-RP605 or PC is used as the controller, it is possible to control a pan-tilt head system consisting of up to 5 pan-tilt heads. It is possible to select any one of the pan-tilt heads connected to the system using the camera switch signals.)
- Control panels which can be used in the transmitting system  
AW-RP301, AW-RP501, AW-RP505 and AW-RP605
- Control panels which can be used in the receiving system  
AW-PH300A, AW-PH350, AW-PH500 and AW-PH600
- This adapter can extend only control signals of the camera and pan-tilt head via a phone line. It is not possible to transmit video signals.
- Use the same modem at both the transmitting and receiving ends.

### Direct mode



### Transmitting system



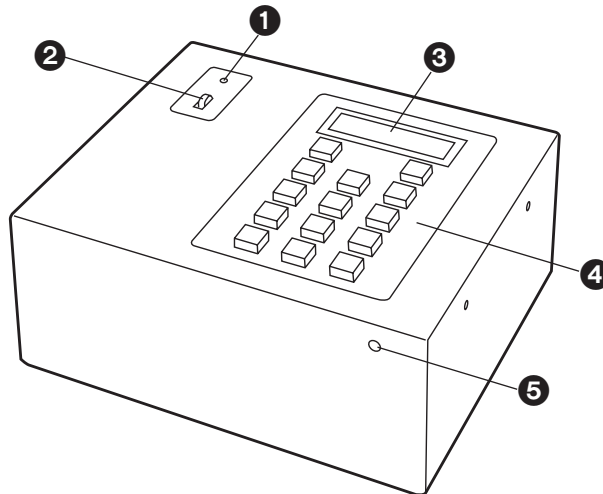
## Accessories

Rack mounting adapters .....	2
Joint angle adapters .....	1
Mounting screws (M4) .....	8

# Parts and their functions

---

## ■ Control panel



### ❶ POWER indicator

This lights when power is supplied to the main unit and the POWER switch is set to ON.

### ❷ POWER switch

This is the unit's power switch.

### ❸ LCD panel

This displays the current statuses and menu settings.

### ❹ Operating keys

These keys are used for dialing and to perform menu settings.

These keys are also used to operate the pan-tilt head system in direct mode.

When any key is operated with the **\*** key held down, the function indicated in red on the key is enabled.

When any key is operated with the **#** key held down, the function indicated in blue on the key is enabled.

### ❺ LCD contrast control

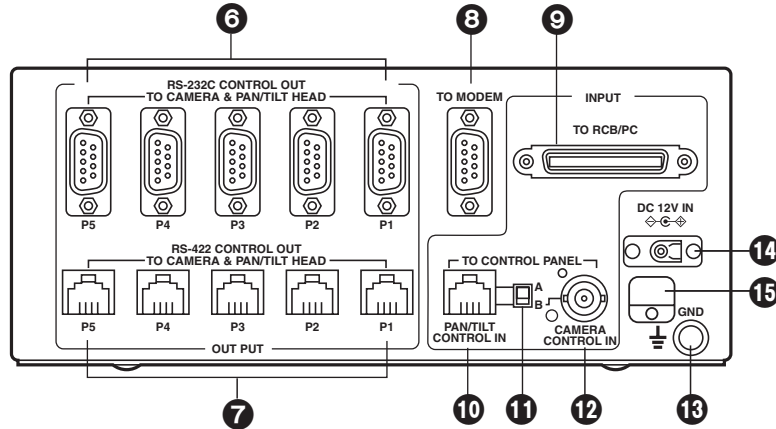
This is used to adjust the contrast of the LCD panel.

Turning this control clockwise makes the display darker and turning it counter-clockwise makes it lighter.

(Use a screwdriver to adjust this control.)

# Parts and their functions

## ■ Rear panel



### 6 RS-232C CONTROL OUT connectors (P1 to P5)

These connectors are used to connect the pan-tilt head system controlled with RS-232C.

#### <Note>

These connectors cannot be used in conjunction with the RS-422 CONTROL OUT connectors 7.

### 7 RS-422 CONTROL OUT connectors (P1 to P5)

These connectors are used to connect the pan-tilt head system controlled with RS-422.

#### <Note>

These connectors cannot be used in conjunction with the RS-232C CONTROL OUT connectors 6.

### 8 TO MODEM connector

This is used to connect the modem.

Connect this connector to the RS-232C connector on the modem using the RS-232C cable provided with the modem.

### 9 TO RCB/PC connector

This is used to connect the WV-CB700A RCB (remote control box). When the RCB is connected, the control signals input to the CAMERA CONTROL IN connector 12 are disabled.

If the WV-CB700A is connected to the control panel (AW-RP301, AW-RP501 or AW-RP505), operation of the IRIS control on the control panel takes precedence.

Also, if a PC is connected when the adapter is in direct mode, it is possible to control a pan-tilt head system.

### 10 PAN/TILT CONTROL IN connector

This is used to connect the controller.

When an AW-RP301, AW-RP501 or AW-RP505 is being used, connect it to the PAN/TILT CONTROL OUT connector.

When an AW-RP605 is being used, connect it to the EXTERNAL CONTROL OUT connector on the main unit.

#### <Note>

An AW-RP605 cannot be used for control in direct mode.

### 11 Control panel selector switch

This is switched according to the control panel connected.

A: AW-RP605

B: AW-RP301, AW-RP501, AW-RP505, and WV-CB700A

### 12 CAMERA CONTROL IN connector

When an AW-RP501 or AW-RP505 is being used as the controller, connect it to the CAMERA CONTROL OUT connector on the control panel.

### 13 GND connector

This is connected to the GND earth to prevent malfunction caused by external noise.

### 14 DC 12V IN connector

This is the power input connector and is used to connect the AW-PS301.

### 15 Cable clamp

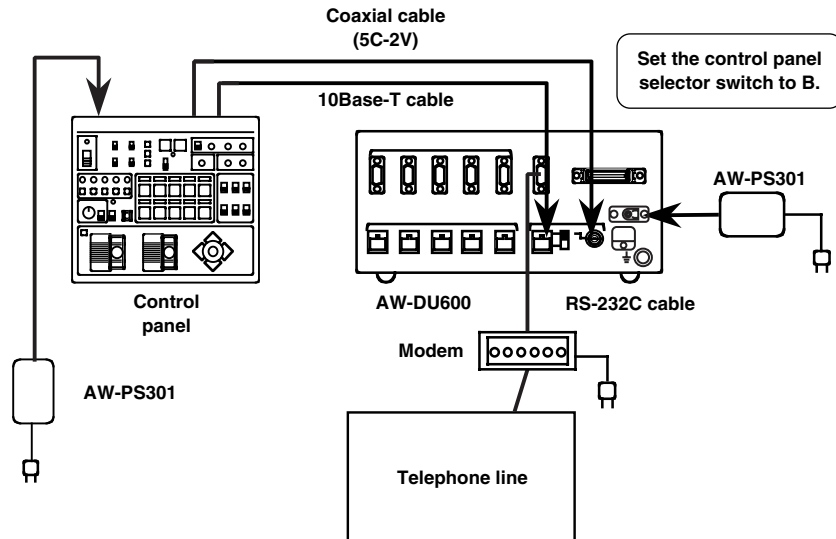
This is provided for the AW-PS301 cable to prevent the cable from being pulled out.

# Connections

Turn off the power of all components before proceeding with the connections.

## Transmitting system connections

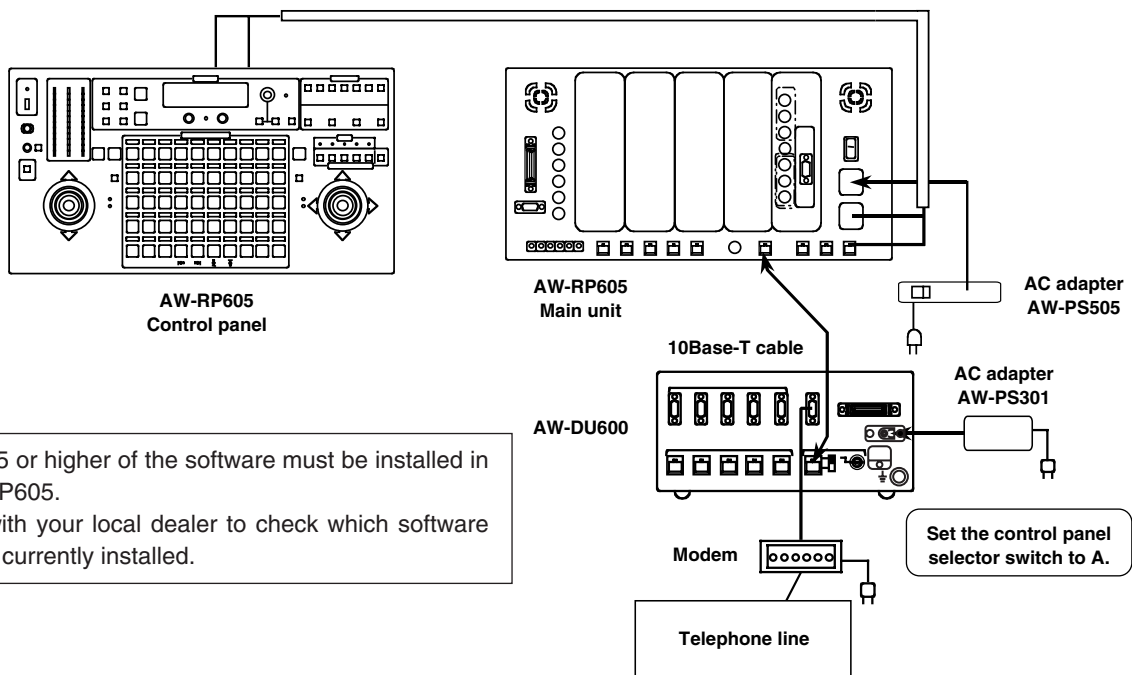
Connect the control panel



- When an AW-RP301 or AW-RP501 is being used, connect the receiving pan-tilt head system to the P1 CONTROL OUT connector.
- When an AW-RP505 or AW-RP605 is being used, it is possible to select either P1, P2, P3, P4 or P5 for the connected pan-tilt head system using the CONTROL button on the controller.

- When an AW-RP301, AW-RP501 or AW-RP505 is being used as the controller, an AW-PH350 can not be used as the pan-tilt head.

When an AW-RP605 is used



Version 45 or higher of the software must be installed in the AW-RP605.  
Consult with your local dealer to check which software version is currently installed.

# Connections

## Transmitting system connection procedure

1. Connect the AW-PS301 AC adapter to the DC 12V IN connector on this adapter.
2. Set the control panel selector switch on this adapter. Set it to A when using an AW-RP605. Set it to B when using an AW-RP301, 501, 505, or WV-CB700A.
3. Connect the PAN/TILT CONTROL OUT connector on the control panel to the PAN/TILT CONTROL IN connector on this adapter using a 10 BASE-T (equivalent to UTP category 5) straight cable.] With the AW-RP605, use the EXTERNAL CONTROL OUT connector. The connection distance can be extended up to 500 meters.
4. Connect the CAMERA CONTROL OUT connector on the control panel to the CAMERA CONTROL IN connector on this adapter using a coaxial cable (equivalent to 5C-2V). This connection is not possible with AW-RP301 and AW-RP605 control panels as they are not equipped with a CAMERA CONTROL OUT connector. The connection distance can be extended up to 500 meters.
5. Connect the TO MODEM connector to the RS-232C connector on the modem using the RS-232C cable provided with the modem.
6. Connect the telephone line to the line input jack on the modem.
7. Set the power switch on the AW-DU600 to ON.
8. Dial Up Adapter settings
  - ① Set this adapter to transmit mode. Press the **MENU+** key (**\*+START**) to open the menu settings. When "Menu-1 Function" appears on the LCD panel, use the **← START STOP →** keys and select Tx (transmit mode).

<b>Menu- 1</b>		<b>Function</b>
<b>Tx</b>	<b>Rx</b>	<b>Direct</b>

- ② Select the telephone line. Press the **MENU+** key (**\*+START**) to change the menu setting item. When "Menu-2 Modulate" appears on the LCD panel, use the **← START STOP →** keys and select Tone or Pulse according to the telephone line to be used.

<b>Menu- 2</b>		<b>Modulate</b>
<b>Tone</b>	<b>Pulse</b>	

- ③ Set this adapter to switch to an external line via a PBX (private branch exchange). Press the **MENU+** key (**\*+START**) to change the menu setting item. When "Menu-3 PBX" appears on the LCD panel, use the **← START STOP →** keys and set the external line selector number to 0 or 9. Select "None" if a PBX is not to be used.

<b>Menu- 3</b>		<b>PBX</b>
<b>None</b>	<b>0</b>	<b>and 9</b>

- ④ Set whether or not to turn the power of the pan-tilt head system off when the telephone line is cut. Press the **MENU+** key (**\*+START**) to change the menu setting item. "Menu-7 Pw-Off" appears on the LCD panel. Select "Yes" if the power of the camera/pan-tilt head is to be turned off when the telephone line is cut. Select "No" if the power of the camera/pan-tilt head is not to be turned off when the telephone line is cut.

<b>Menu- 7</b>		<b>Pw-Off</b>
<b>Yes</b>	<b>No</b>	

When the settings are completed, press the **MENU+** key (**\*+START**) once again to exit the menu settings.

9. Set the power switch on the modem to ON. "Press Start" appears on the LCD panel.

<b>1:</b>	<b>Press Start</b>
-----------	--------------------

If the modem is not connected correctly, **---** will appear on the LCD panel.

<b>1:</b>	<b>---</b>
-----------	------------

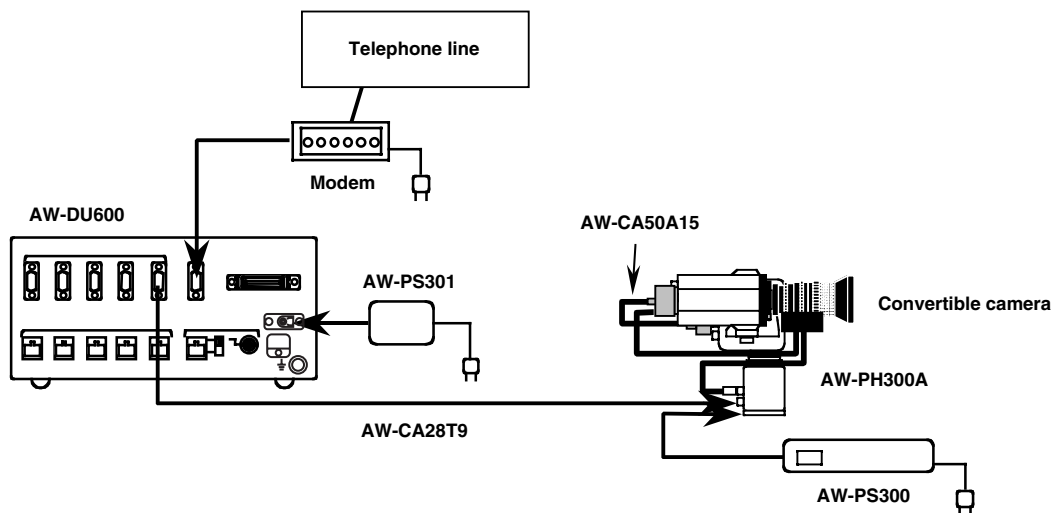
**<Note>**  
Set the AW-RP605 setting menu (EXT CONTROL OUT) to ON.

# Connections

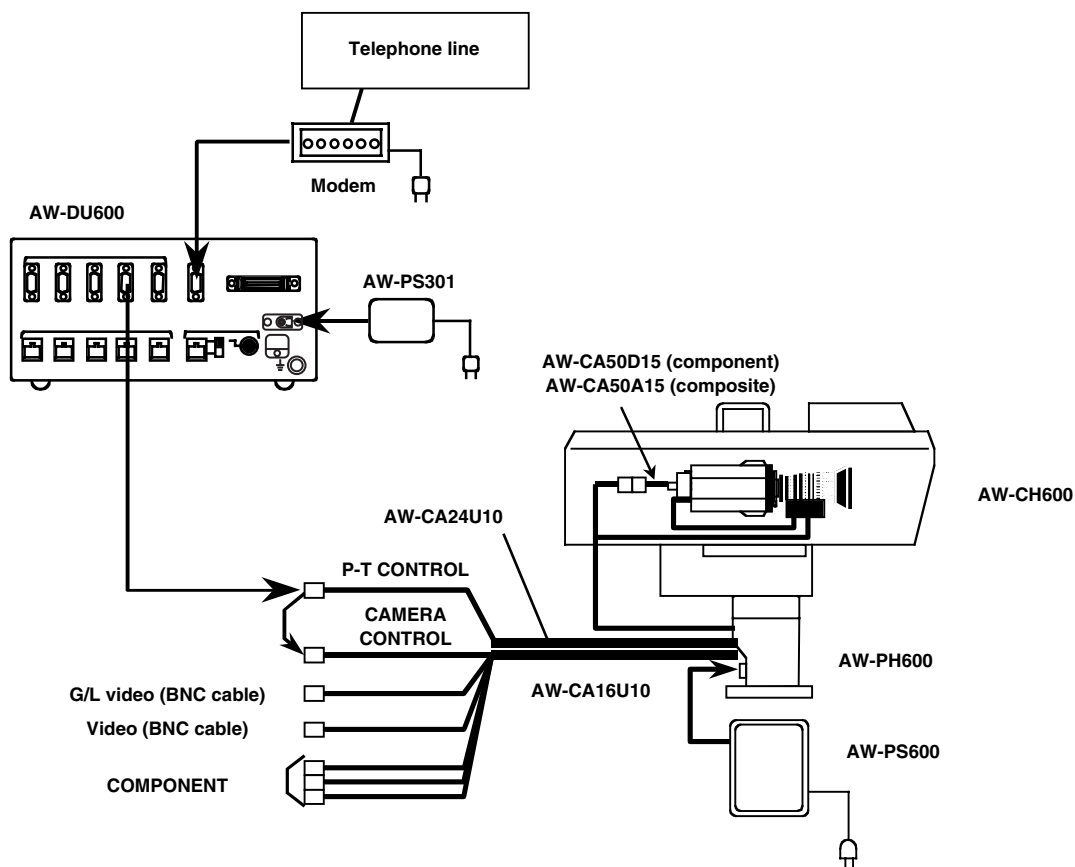
## Receiving system connections

### ■ Connect the pan-tilt head system to the RS-232C CONTROL OUT connector:

When an AW-PH300A is used and the connection distance is 10 m or less:



When an AW-PH600 is used:



#### <Note>

Refer to the Operating Instructions of the AW-PH600 for details on how to perform the connections for the AW-PH600.

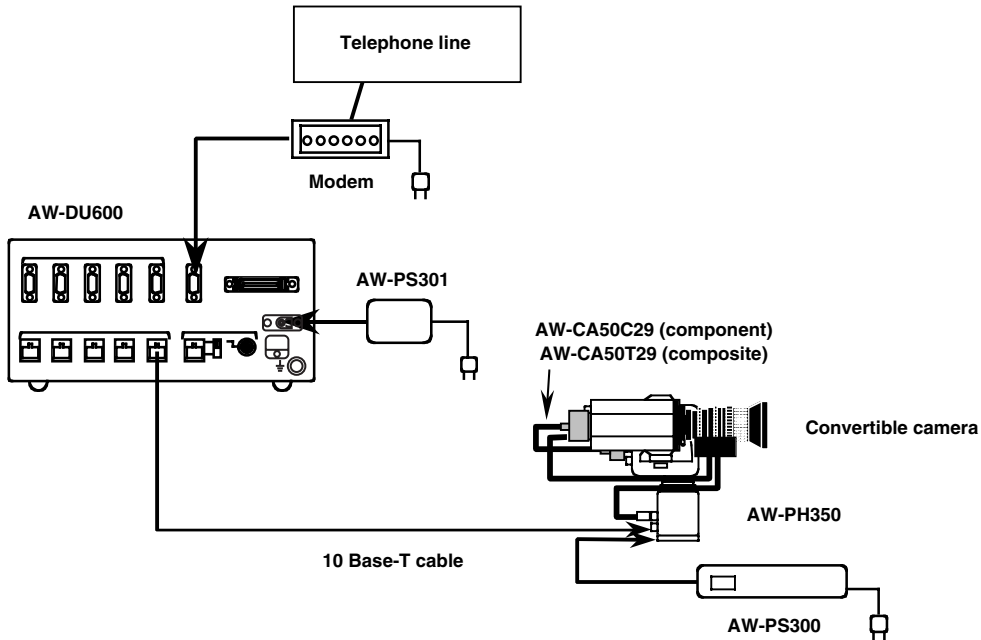


# Connections

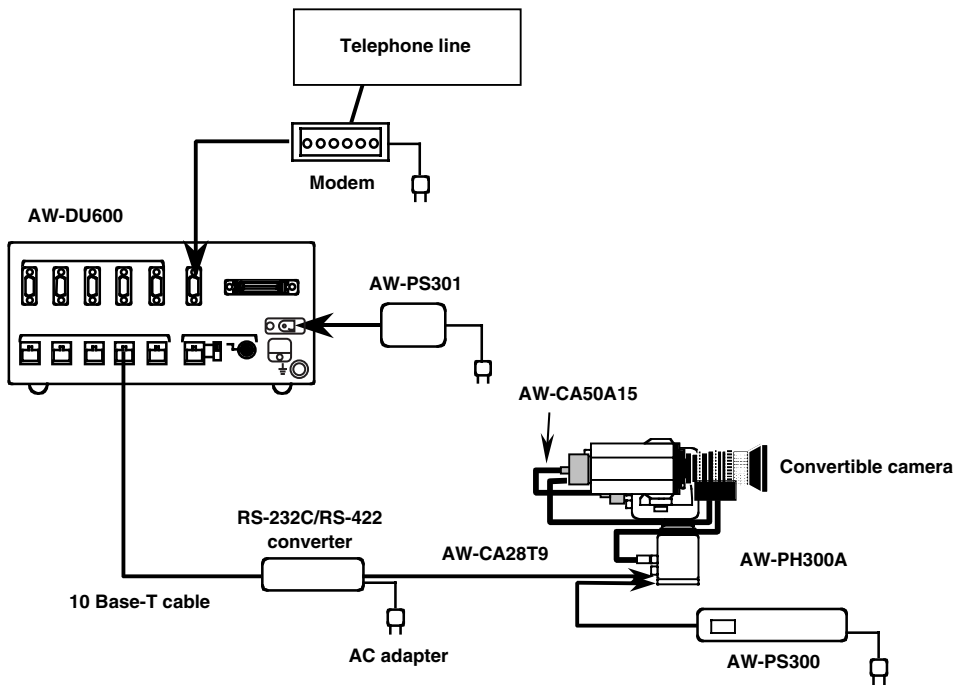
## ■ Connect the pan-tilt head system to the RS-422 CONTROL OUT connector:

Use the RS-422 connector when the AW-PH350 is to be used as the pan-tilt head or when the connection distance between this adapter and the pan-tilt head is to exceed 10 m.

When an AW-PH350 is used:

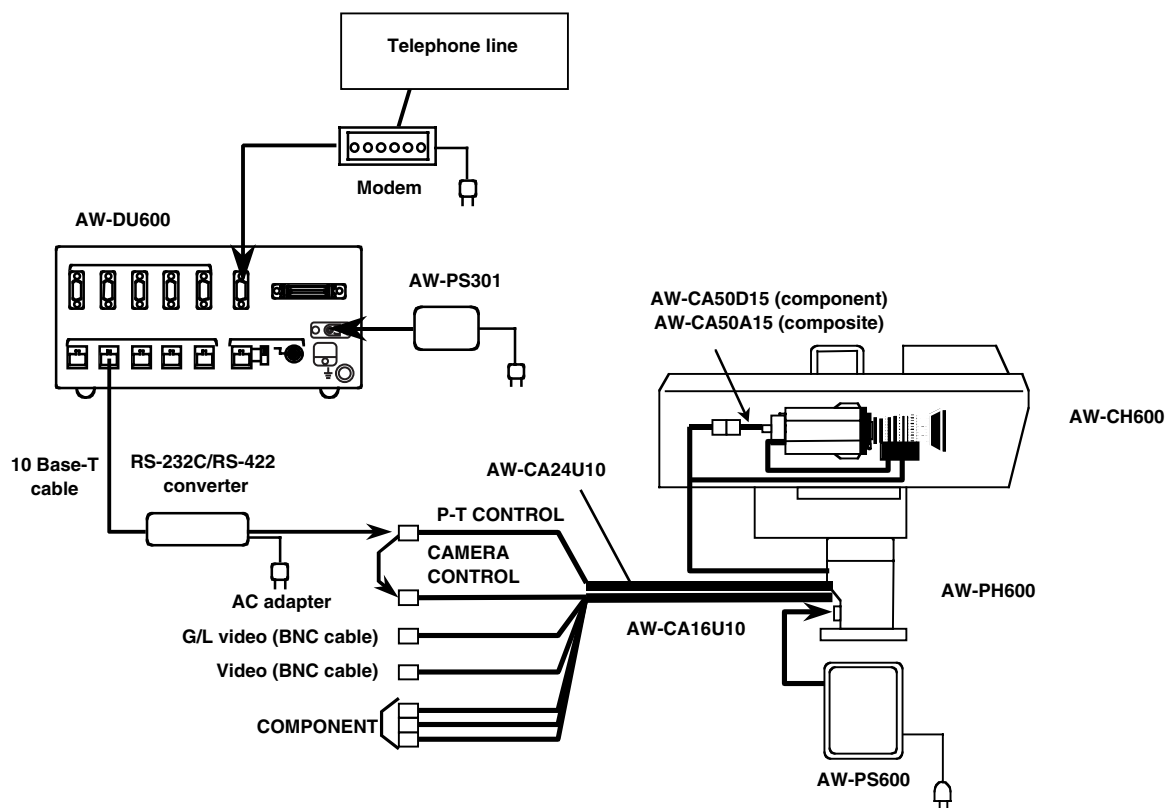


When an AW-PH300A is used and the connection distance is more than 10 m:



# Connections

When an AW-PH600 is used and the connection distance is more than 10 m:



**<Note>**

Refer to the Operating Instructions of the AW-PH600 for details on how to perform the connections for the AW-PH600.

# Connections

## Receiving system connection procedure

1. Connect the AW-PS301 AC adapter to the DC 12V IN connector on this adapter.
2. Connect the TO MODEM connector to the RS-232C connector on the modem using the RS-232C cable provided with the modem.
3. Connect the telephone line to the line input jack on the modem.
4. Connect the pan-tilt head to this adapter.
  - If the connection distance between this adapter and the AW-PH300A pan-tilt-head is 10 m or less, use the AW-CA28T9 (10 m) cable to connect the RS-232C CONTROL OUT connector on this adapter to the P/T CONTROL IN connector on the AW-PH300A.
  - If the connection distance between this adapter and the AW-PH300A pan-tilt-head is more than 10 m, use an RS-232C/RS-422 converter between the RS-422 CONTROL OUT connector on this adapter to the P/T CONTROL IN connector on the AW-PH300A when performing the connection.
  - When the AW-PH350 pan-tilt-head is used, use a 10 BASE-T cable to connect the RS-422 CONTROL OUT connector on this adapter to the CONTROL IN IP/RP connector on the AW-PH350.When an AW-RP301 or AW-RP501 is used as the controller, connect the pan-tilt head to the P1 CONTROL OUT connector on this adapter.
5. Set the power switch on the AW-DU600 to ON.
6. Dial Up Adapter settings
  - ① Set this adapter to receive mode.

Press the **MENU+** key (**\*+ START**) to open the menu settings.

When "Menu-1 Function" appears on the LCD panel, use the **← START STOP →** keys and select Rx (receive mode).

**Menu – 1 Function  
Tx Rx Direct**

- ② Select the pan-tilt head system control.

Press the **MENU+** key (**\*+ START**) to change the menu setting item.

When "Menu-5 Output-1" appears on the LCD panel, use the **← START STOP →** keys and select RS-232C or RS-422 according to operating conditions.

**Menu – 5 Output – 1  
RS – 232C RS – 422**

When the settings are completed, press the **MENU+** key (**\*+ START**) once again to exit the menu settings.

**Mode : Receiver  
OK**

If the modem is not connected correctly, [---] will appear on the LCD panel.

**Mode : Receiver  
- - -**

# Connections

## Making a call

Make a call from the AW-DU600 of the transmitting system.

1. Turn on the power to all units.
2. Use the number keys on this adapter to enter the desired number.

The telephone number entered appears on the top section of the LCD panel.



If the wrong number is entered by mistake, press the DELETE key ( $\boxed{\#} + \boxed{0}$ ) to delete 1 digit at a time, starting from the number entered last. Press the CLEAR key ( $\boxed{\#} + \boxed{\text{START}}$ ) to delete the whole number at once.

3. After entering the telephone number, press the START key.

When the connection is initiated, "Calling" appears on the LCD panel.

When the connection is established, "Connect" appears on the LCD panel and control of the pan-tilt head system from the control panel is possible.

**<Note>**

The message appearing on the LCD panel may differ, depending on the modem used.

4. Control the pan-tilt head system from the control panel.

When an AW-RP605 is being used as the control panel, set the OPERATE switch to ON to control the pan-tilt head system.

**<Note>**

- When an AW-RP505 or AW-RP605 is being used as the control panel, it is possible to switch the receiving pan-tilt head system using the CONTROL button on the control panel.
- If the OPERATE switch on the AJ-RP605 is set to ON before the telephone line is connected, "NO CONNECT" is displayed on the LCD panel.

5. After control of the pan-tilt head is completed, press the STOP key.

"Hang Up" appears on the LCD display and the telephone line is cut.

Once the line is cut, "Press Start" appears on the LCD panel.

When ON has been selected for the "Menu-7 Pw-Off" setting, the power to the pan-tilt head will turn off at the same time as the telephone line is cut. When OFF has been selected for the "Menu-7 Pw-Off" setting, the power to the pan-tilt head will remain on when the telephone line is cut.

**<Note>**

If the POWER switch or OPERATE switch on the control panel is set to OFF before the telephone line is cut, the power to the pan-tilt head will turn off regardless of the "Menu-7 Pw-Off" setting.

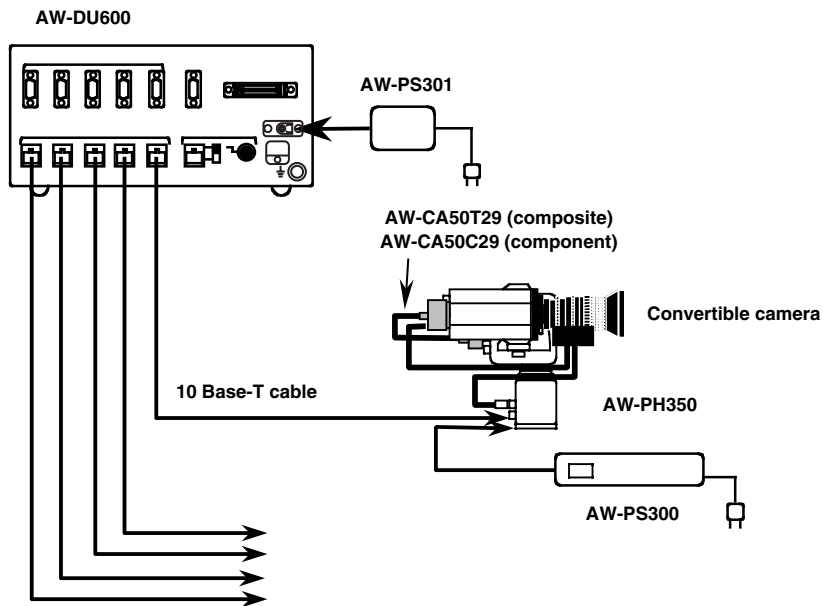
**<Note>**

While the telephone line is being connected, none of the operating keys on the adapters will function except for the STOP key on the transmitting side.

# Connections

## ■ Direct mode

1. Control the pan-tilt head system directly using this adapter:



# Connections

## Connection procedure

1. Connect the pan-tilt head system to the CONTROL OUT connector on this adapter.

2. Turn on the power to this adapter and the pan-tilt head system.

3. Dial Up Adapter settings

① Set this adapter to direct mode.

Press the **MENU+** key (**\*** + **START**) to open the menu settings.

When "Menu-1 Function" appears on the LCD panel, use the **← START STOP →** keys and select Direct (direct mode).

<b>Menu- 1</b>	<b>Function</b>
<b>Tx Rx</b>	<b>Direct</b>

② Set the CONTROL OUT connector according to the type of pan-tilt connected and the connection distance.

Press the **MENU+** key (**\*** + **START**) to change the menu setting item.

When "Menu-5 Output-1" appears on the LCD panel, use the **← START STOP →** keys and select RS-232C or RS-422 according to the pan-tilt head system to be connected.

<b>Menu- 5</b>	<b>Output-1</b>
<b>RS - 232C</b>	<b>RS - 422</b>

③ Select the pan-tilt head system to be controlled.

Press the **MENU+** key (**\*** + **START**) to change the menu setting item.

When "Menu-6 Output-2" appears on the LCD panel, use the **← START STOP →** keys and select P1, P2, P3, P4 or P5.

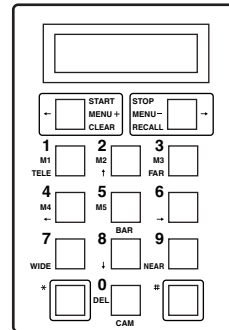
<b>Menu- 6</b>	<b>Output-2</b>
<b>P1 P2 P3 P4 P5</b>	

When the settings are completed, press the **MENU+** key (**\*** + **START**) once again to exit the menu settings.

4. When the settings are completed, turn the power of the AW-DU600 off and then back on again.

The power of the pan-tilt-head system turns on and operation is possible.

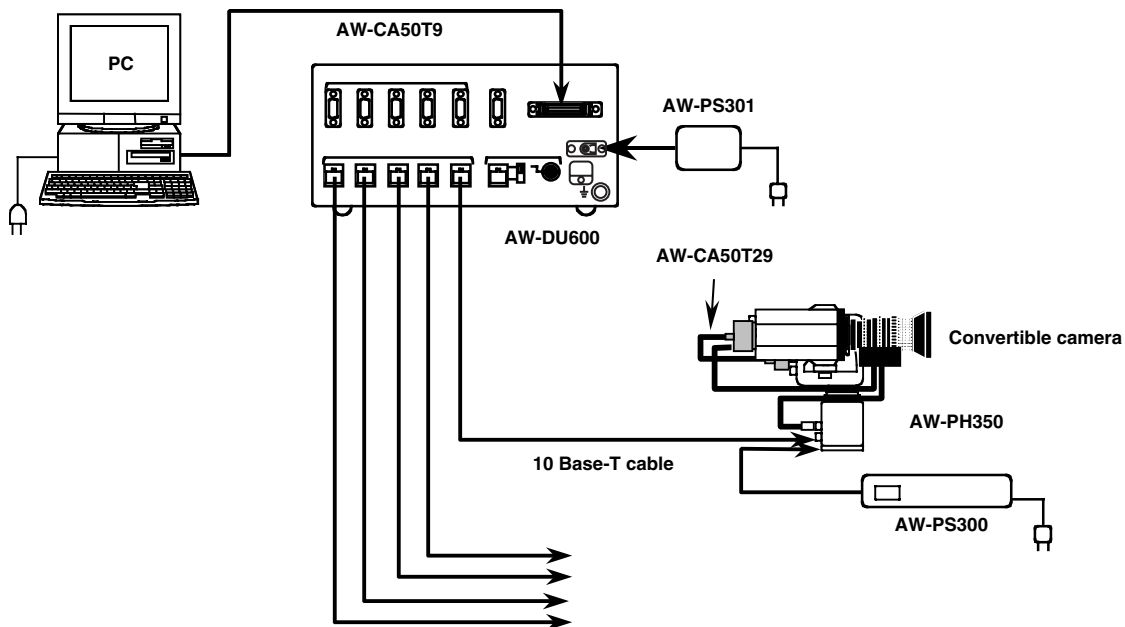
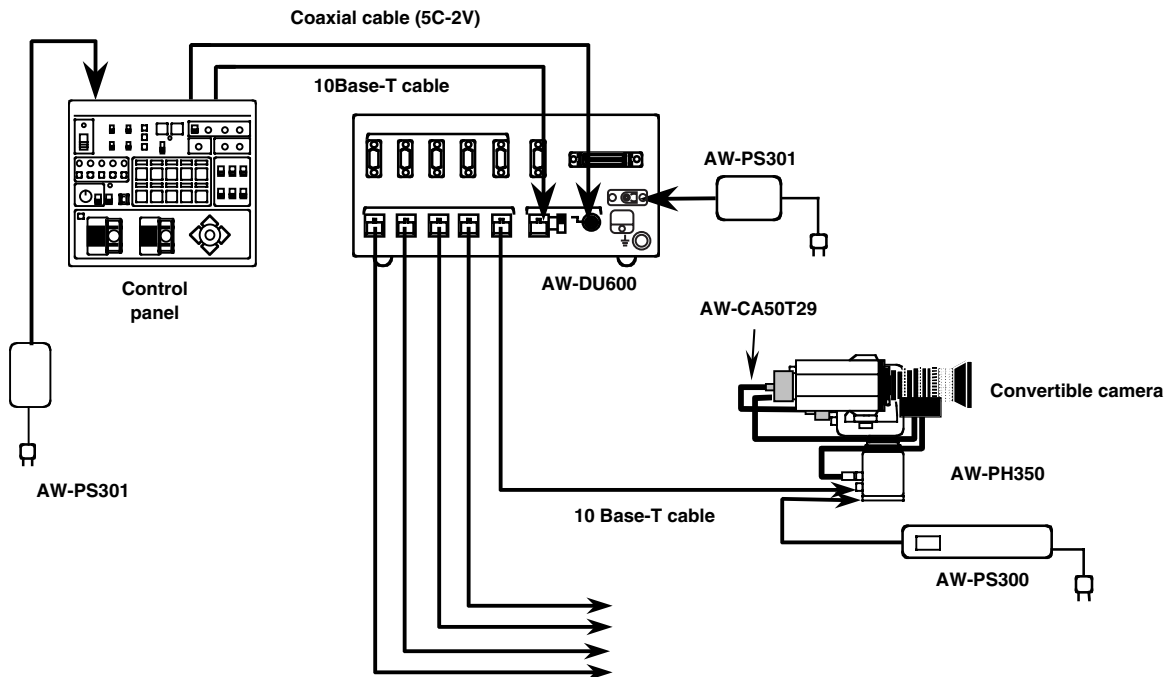
5. The pan-tilt head system can be controlled in the following ways using the operating keys on this adapter.



- 2 (↑): Up
- 8 (↓): Down
- 4 (←): Left
- 6 (→): Right
- 1 (TELE): Zoom in
- 7 (WIDE): Zoom out
- 3 (FAR): Focus (long-distance)
- 9 (NEAR): Focus (close-up)
- 5 (BAR): Color bar output
- 0 (CAM): Camera thru output

# Connections

## 2. Control the pan-tilt head system using a control panel or PC:



**<Note>**

AW-RP605 cannot be used as the control panel with direct mode.

# Connections

## Connection procedure

1. Connect the AW-PS301 AC adapter to the DC 12V IN connector on this adapter.
2. Set the control panel selector switch on this adapter to B.
3.
  - ① Connect the PAN/TILT CONTROL OUT connector on the control panel to the PAN/TILT CONTROL IN connector on this adapter using a 10 BASE-T (equivalent to UTP category 5) straight cable.  
The connection distance can be extended up to 500 meters.
  - ② Connect the CAMERA CONTROL OUT connector on the control panel to the CAMERA CONTROL IN connector on this adapter using a coaxial cable (equivalent to 5C-2V).  
The connection distance can be extended up to 500 meters.  
**<Note>**  
This connection is not possible with the AW-RP301 control panel as it is not equipped with a CAMERA CONTROL OUT connector.
  - ③ When a PC is used as the control panel, connect it to the TO RCB/PC connector on this adapter.
4. Set the power switch on this adapter to ON.
5. Dial Up Adapter settings
  - ① Set this adapter to direct mode.  
Press the **MENU+** key (**\*+ START**) to open the menu settings.  
When "Menu-1 Function" appears on the LCD panel, use the **← START STOP →** keys and select Direct (direct mode).

<b>Menu – 1</b>	<b>Function</b>
<b>Tx Rx</b>	<b>Direct</b>

- ② Select the connector for input of control signals from the controller.  
Press the **MENU+** key (**\*+ START**) to change the menu setting item.  
"Menu-4 Input" appears on the LCD panel.  
Select the CONTROL OUT connector to be used using the **← START STOP →** keys.  
When control is to be performed from a control panel, select RS-422 and select RS-232C when it is to be performed from a PC.

<b>Menu – 4</b>	<b>Input</b>
<b>RS – 232C</b>	<b>RS – 422</b>

- ③ Set the CONTROL OUT connector according to the type of pan-tilt connected and the connection distance.

Press the **MENU+** key (**\*+ START**) to change the menu setting item.

When "Menu-5 Output-1" appears on the LCD panel, use the **← START STOP →** keys and select RS-232C or RS-422 according to the pan-tilt head system to be connected.

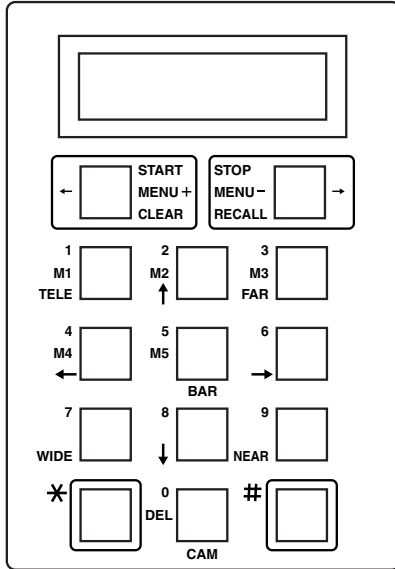
<b>Menu – 5</b>	<b>Output-1</b>
<b>RS – 232C</b>	<b>RS – 422</b>

6. When the settings are completed, press the **MENU+** key (**\*+ START**) once again to exit the menu settings.
7. Set the power switch on the pan-tilt head to ON.
8. Set the POWER switch on the control panel to ON to control the pan-tilt head system. When an AW-RP505 is being used as the control panel, select the pan-tilt head system using the CONTROL button on the control panel.
9. When the POWER switch on the control panel is set to OFF after control of the pan-tilt head is completed, the power of pan-tilt head system will turn off.



# Menu settings

## ■ How to perform menu settings



- Press the **MENU+** key (**\* + START**) and the first menu item will appear on the LCD.
- Press the **MENU+** key (**\* + START**) while a menu item is displayed on the LCD and the display will move to the next item.
- Press the **MENU+** key (**\* + START**) again and the last menu item will appear on the LCD.
- Press the **MENU-** key (**\* + STOP**) while a menu item is displayed on the LCD and the display will move to the previous item.
- Use the **← START STOP →** keys to select the setting for each menu item.

## ■ Menu items

<b>Menu-1 Function</b> (Initial setting: Tx)	Dial up adapter mode settings	
	Tx	This is for when this adapter is to be used as the transmitting system.
	Rx	This is for when this adapter is to be used as the receiving system.
	Direct	This is for when this adapter is to be used in direct mode (i.e. when a telephone line is not to be used).

The following items are only displayed when this adapter is in Tx mode.

<b>Menu-2 Modulate</b> (Initial setting: Tone)	Telephone line settings	
	Tone	This is when the telephone line to be used is a tone line.
	Pulse	This is when the telephone line to be used is a pulse line.
<b>Menu-3 PBX</b> (Initial setting: None)	External line transmission number settings	
	None	This is for when an external line transmission number is not required.
	0 and	This is for when 0 is to be transmitted via a PBX.
	9 and	This is for when 9 is to be transmitted via a PBX.
<b>Menu-7 Pw-off</b> (Initial setting: Yes)	Power control setting for the pan-tilt head system when the telephone line is cut	
	Yes	The power of the pan-tilt head system turns off when the line is cut.
	No	The power of the pan-tilt head system does not turn off when the line is cut.

# Menu settings

The following items are only displayed when this adapter is in Direct mode

<b>Menu-4 Input</b> (Initial setting:RS-232C)	This setting selects which connector is to be used for the controller when this adapter is in Direct mode.	
	RS-232C	TO RCB/PC connector (PC used for control)
	RS-422	PAN/TILT CONTROL IN connector (control panel used for control)
<b>Menu-6 Output-2</b> (Initial setting: P1)	This setting selects which pan-tilt head system is to be controlled by this adapter when this adapter is in Direct mode.	
	P1	The pan-tilt head system connected to the RS-232C or RS-422 P1 connector is controlled.
	P2	The pan-tilt head system connected to the RS-232C or RS-422 P2 connector is controlled.
	P3	The pan-tilt head system connected to the RS-232C or RS-422 P3 connector is controlled.
	P4	The pan-tilt head system connected to the RS-232C or RS-422 P4 connector is controlled.
	P5	The pan-tilt head system connected to the RS-232C or RS-422 P5 connector is controlled.

The following item is only displayed when this adapter is in Rx mode or Direct mode

<b>Menu-5 Output-1</b> (Initial setting: RS-422)	This setting selects which connectors are to be used for the pan-tilt head systems.	
	RS-232C	The RS-232C CONTROL OUT connectors are used. The RS-422 connectors cannot be used in conjunction with these connectors.
	RS-422	The RS-422 CONTROL OUT connectors are used. The RS-232C connectors cannot be used in conjunction with these connectors.

## ■ Dial memory

This adapter's dial memory function enables up to 5 specific telephone numbers to be stored.

### ● Registering a telephone number

1. Enter the number using the operating keys on this adapter.
2. While pressing the **#** key, press one of the dial memory registration keys from **1** (M1) through **5** (M5) into which the number is to be entered.
3. "Writing Memory \*" (\* is the dial memory number) appears on the LCD panel and the telephone number is stored.

### ● Using a dial memory to make a call

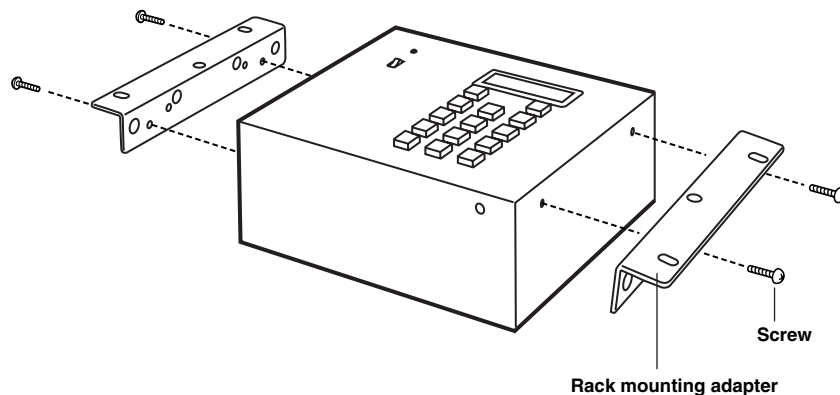
1. Press the **RECALL** key (**#** + **STOP**).
2. The dial memory number (M1 to M5) entered appears on the LCD panel.  
If a telephone numbers has not been registered for the dial memory number, the LCD panel display will be blank.
3. Each time the **RECALL** key (**#** + **STOP**) is pressed, the dial memory number is switched.
4. Press the **START** key to initiate the connection.

### ● Erasing a dial memory

1. Press the **CLEAR** key (**#** + **START**) to erase the number displayed on the LCD panel.
2. While pressing the **#** key, press one of the dial memory registration keys from **1** (M1) through **5** (M5) which is to be erased.
3. "Writing Memory \*" (\* is the dial memory number) appears on the LCD panel and the telephone number is erased.

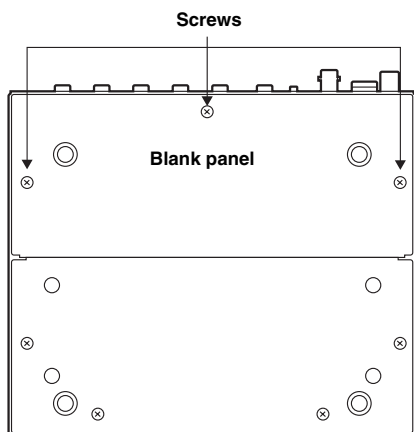
# Attaching the rack mounting adapters

To install the adapter in a rack, use the rack mounting adapters and four of the mounting screws (M4) supplied.

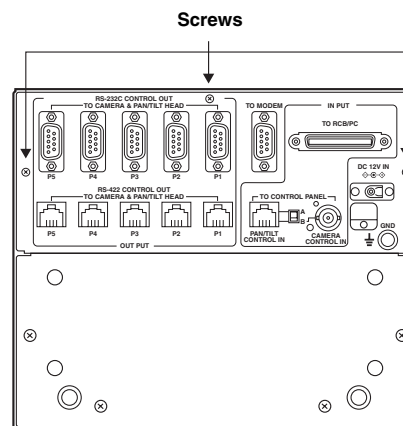


# Changing the position of the rear panel

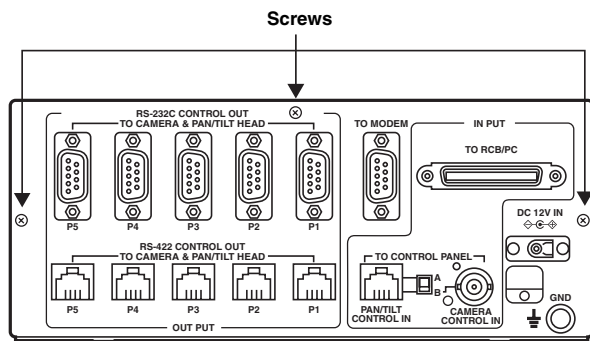
1. Remove the three screws from the bottom panel and remove the blank panel.



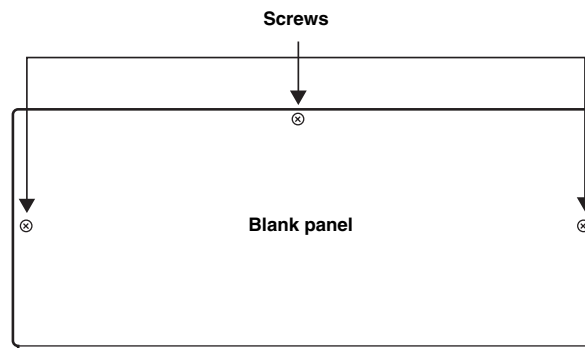
3. Use the three screws to firmly secure the rear panel where the blank panel was removed from the bottom panel.



2. Remove the three screws from the rear panel and remove the rear panel.



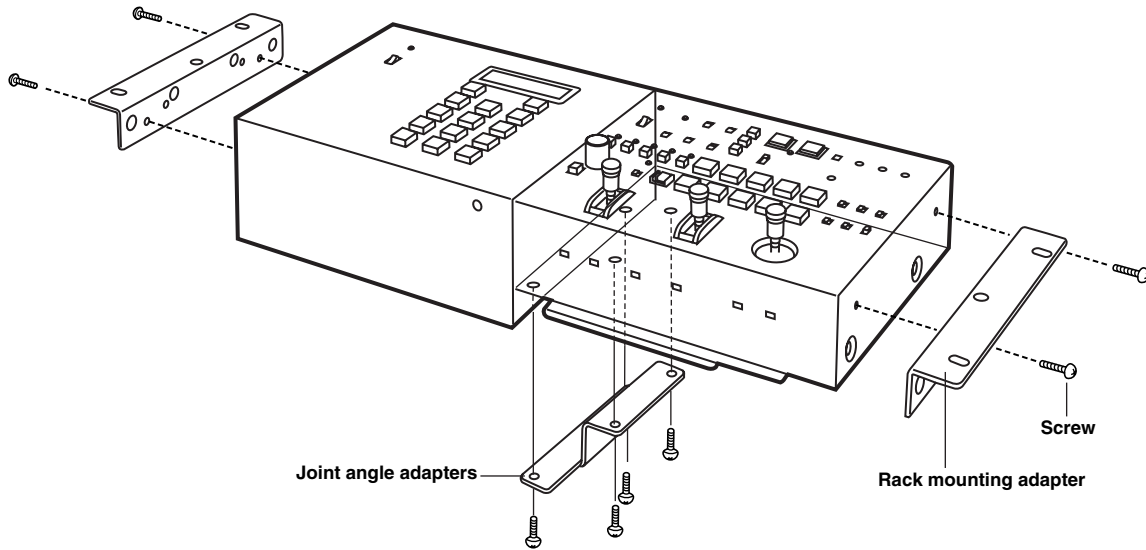
4. Use the three screws to firmly secure the blank panel where the rear panel was removed.



Take care not to catch the internal wiring when reattaching the panels.

# Attaching the joint angle adapter

To attach the adapter to the controller, use the joint angle adapter, rack mounting adapter and mounting screws (M4 x 8) supplied.



# Specifications

---

<b>Power supply:</b> DC 10.8V to DC 16V
<b>Power consumption:</b> 5 W

 indicates safety information

## Permissible temperatures

Storage: -20°C to 60°C  
Operating: -10°C to 45°C  
Standard: +5°C to 35°C

## Permissible humidity

Storage: 30% to 90% (without condensation)

## Weight:

3.7 lb (1.7 kg)

## Dimensions (W×H×D):

8-1/4×3-3/8×6-7/8 inch (210×86×176 mm)

## Controllers supported

AW-RP301, AW-RP501, AW-RP505, AW-RP605 and WV-CB700A

## Pan-tilt heads supported

AW-PH300A, AW-PH350 (this model can only be used with the AW-RP605), AW-PH500 and AW-PH600

## Cameras supported

AW-E300, AW-E300A, AW-E600, AW-E800A, AW-E800

## Input connectors

### DC12V IN socket

Connects the AW-PS301

### TO RCB/PC

AW-CA50T10 (when a WV-CB700A is connected)  
AW-CA50T9 (when a PC is connected)

### PAN/TILT CONTROL IN

RJ45

Connects to PAN/TILT CONTROL OUT on the remote control panel  
10BaseT straight cable (UTP category 5), max. 500 meters

### CAMERA CONTROL IN

BNC

Connects to CAMERA CONTROL OUT on the remote control panel  
BNC cable (5C-2V), max. 500 meters

## Output connectors:

### RS-232C CONTROL OUT

#### TO CAMERA & PAN/TILT HEAD

D-sub, 9-pin×5 (connect to pan-tilt head)

### RS-422 CONTROL OUT

#### TO CAMERA & PAN/TILT HEAD

RJ45×5 (connect to pan-tilt head)

10BaseT straight cable (UTP category 5), max. 1000 m

## I/O connector

### TO MODEM

D-sub, 9-pin ×1 (connects to analog modem)

## Other

### A/B selector switch

Control panel selector switch

A: AW-RP605

B: AW-RP301, AW-RP501, AW-RP505 and WV-CB700A





---

# Panasonic

**PANASONIC BROADCAST & TELEVISION SYSTEMS COMPANY**  
UNIT COMPANY OF MATSUSHITA ELECTRIC CORPORATION OF AMERICA

**Executive Office:**

One Panasonic Way 4E-7, Secaucus, NJ 07094 (201) 348-7000

**EASTERN ZONE:**

One Panasonic Way 4E-7, Secaucus, NJ 07094 (201) 348-7621

**Southeast Region:**

1225 Northbrook Parkway, Ste 1-160, Suwanee, GA 30024 (770) 338-6835

**Central Region:**

1707 N Randall Road E1-C-1, Elgin, IL 60123 (847) 468-5200

**WESTERN ZONE:**

3330 Cahuenga Blvd W., Los Angeles, CA 90068 (323) 436-3500

**Government Marketing Department:**

52 West Gude Drive, Rockville, MD 20850 (301) 738-3840

**Broadcast PARTS INFORMATION & ORDERING:**

9:00 a.m. – 5:00 p.m. (EST) (800) 334-4881/24 Hr. Fax (800) 334-4880

Emergency after hour parts orders (800) 334-4881

**TECHNICAL SUPPORT:**

Emergency 24 Hour Service (800) 222-0741

**Panasonic Canada Inc.**

5770 Ambler Drive, Mississauga, Ontario L4W 2T3 (905) 624-5010

**Panasonic de Mexico S.A. de C.V.**

Av angel Urraza Num. 1209 Col. de Valle 03100 Mexico, D.F. (52) 1 951 2127

**Panasonic Sales Company**

**Division of Matsushita Electric of Puerto Rico Inc.**

San Gabriel Industrial Park, 65th Infantry Ave., Km. 9.5, Carolina, Puerto Rico 00630 (787) 750-4300





## Free Manuals Download Website

<http://myh66.com>

<http://usermanuals.us>

<http://www.somanuals.com>

<http://www.4manuals.cc>

<http://www.manual-lib.com>

<http://www.404manual.com>

<http://www.luxmanual.com>

<http://aubethermostatmanual.com>

Golf course search by state

<http://golfingnear.com>

Email search by domain

<http://emailbydomain.com>

Auto manuals search

<http://auto.somanuals.com>

TV manuals search

<http://tv.somanuals.com>