

# Panasonic®

## Operating Instructions

### PLC Adaptor Starter Pack

#### Power Line Communication

Model No. **BL-PA300KTA**

Set of 2 Adaptors (Master and Terminal)



English

Español

<b>Operating Instructions</b> .....	2
<b>Instrucciones de operación</b> .....	31
<b>Limited warranty</b> .....	59
<b>Customer services</b> .....	61

# Table of Contents

## Introduction

IMPORTANT SAFETY INSTRUCTIONS .....	6
Electrical environment information.....	7
Security information.....	9
Security notices for when sending an adaptor for service .....	10
How does it work? .....	11
Main unit.....	13

## Installation

Placing the adaptors.....	15
Power Save Mode .....	15
Connecting adaptors to network devices.....	16

## Useful Information

Testing a terminal's network speed .....	17
Understanding the indicators .....	19
Resetting an adaptor .....	20
Registration.....	21
Troubleshooting .....	23
Specifications.....	26
Adaptor Maintenance Screen .....	28
FCC and other information .....	29

### IMPORTANT NOTES:

**For best results, connect this product directly to a wall outlet.**

**This product may not function normally in certain electrical environments.**

**See page 7 for more information.**

Thank you for purchasing a Panasonic **HD-PLC** product.

## Main features

### Flexible and stable network access anywhere in your home

The BL-PA300A offers the next generation in home networking: High Definition Power Line Communication (**HD-PLC**). High-speed network access and high performance data transfers are now available in any room.

### Every AC outlet becomes a home network access point

Because **HD-PLC** technology makes use of the existing electrical wiring in your home, there's no need to run cables between rooms.

### Easy to expand

Up to 16 adaptors in all can be used, which means you can add additional adaptors whenever you need to add a network connection in another room of the house.

### Simple network speed testing

You can confirm the speed of each adaptor's **HD-PLC** connection by simply pressing a button.

### Fast, reliable, and secure

With speeds of up to 210 Mbps (PHY rate)\*1, advanced error correction, and AES 128-bit encryption, the BL-PA300A provides peace of mind at the speed of light.

### Power Save Mode

The BL-PA300A in normal operation has power consumption of around 3 W, however, if a terminal's LAN port is inactive for more than 20 minutes, the adaptor automatically enters Power Save mode, and power consumption is reduced to less than 1 W.

For more information about how **HD-PLC** works, see page 11.

---



\*1 This is the theoretical maximum data transmission speed of the **HD-PLC** standard. The actual maximum data transmission speed is about 90 Mbps for UDP and 65 Mbps for TCP. Results may vary depending on electrical conditions, network environment, and other factors. See the specifications for more information.

## Introduction

### Included items



Confirm that the following items are included with this product.

Additional items can be ordered by calling 1-800-332-5368.

<b>PLC Adaptor</b> ..... 2 (1 Master and 1 Terminal) 	<b>LAN Cable</b> .....2 Order No.: PQJA10138Z 
Getting Started ..... 1	Operating Instructions (this document) ..... 1

### Available accessories

You can add additional adaptors as necessary. Up to 16 adaptors in all (including the 2 adaptors included with this product) can be used.

<b>BL-PA300A</b> (PLC Adaptor Add-on Unit) 	<b>BL-PA100A</b> (PLC Adaptor Add-on Unit) 
--	--

### Abbreviations

- This product is referred to as “the adaptor” in this document.

## Trademarks

- Linux® is the registered trademark of Linus Torvalds in the U.S. and other countries.
- **HD-PLC** or **HD-PLC** mark is a registered trademark or trademark of Panasonic Corporation in Japan and in other countries.
- All other trademarks identified herein are the property of their respective owners.

# IMPORTANT SAFETY INSTRUCTIONS

When using this product, basic safety precautions should always be followed to reduce the risk of fire, electric shock, or personal injury.

1. Read and understand all instructions. Keep this document for future reference.
2. Follow all instructions in this document and heed all warnings.
3. Do not install this product near any heat sources such as radiators, heat registers, stoves, or other devices (including amplifiers) that produce heat.
4. This product is used as the main disconnect device. Ensure that the AC outlet is installed near this product and is easily accessible.
5. The adaptor must remain connected at all times.
6. To prevent the risk of fire or electrical shock, do not expose this product to rain or any type of moisture, and do not plug it in upside-down (i.e., with the LAN jack pointing up).
7. Do not touch the product during lightning storms.
8. Unplug this product when unused for a long period of time.
9. Refer all servicing to qualified service personnel. Servicing is required when the unit does not operate normally, has been damaged in any way, or after the unit has been dropped.
10. Do not use this product outdoors.
11. Unplug this unit from power outlets if it emits smoke, an abnormal smell or makes unusual noise. These conditions can cause fire or electric shock. Confirm that smoke has stopped and contact an authorized service center.

## SAVE THESE INSTRUCTIONS

## Electrical environment information

**HD-PLC** adaptors communicate with each other using the existing electrical wiring in your home, and may be affected by electrical noise or the length of your home's wiring. Keep the following in mind when placing each adaptor.

### AC outlets

For best results, we recommend connecting the adaptors directly to a wall outlet. Avoid connecting high power-consuming appliances to the same wall outlet. Additionally, connecting an adaptor to a uninterruptible power supply (UPS) or backup power supply device is not recommended.

While connecting the adaptors to a wall outlet is recommended, keep the following in mind if you must connect an adaptor to a power strip:

- Make sure the power strip does not have a noise filter or a surge protector, as these features may interfere with the performance of your adaptors.
- Do not connect the adaptor to a power strip that receives power from another power strip.
- Use a power strip with an AC cord that is as short as possible.

### Electrical interference

Certain electrical devices emit electrical noise. If this noise is passed on to the electrical wiring in your home, it may interfere with the performance, speed, and reliability of your adaptors. For best results, we recommend connecting an electrical noise filter to noise emitting appliances.

The following appliances are more likely to produce noise:

- Battery chargers (including cell phone chargers)
- AC adaptors (including AC adaptors for modems, routers, notebook computers, etc.)
- Hair dryers
- Vacuum cleaners
- Lights or lamps which have a dimmer switch or a touch-sensitive on/off feature
- Power drills

Additionally, this product may interfere with the following appliances:

- Short wave radios
- Lights or lamps which have a touch-sensitive on/off feature
- Wireless devices (including wireless mice, etc.)

## Introduction

---

### Electrical wiring

**HD-PLC** adaptors communicate with each other using the existing electrical wiring in your home. If 2 wall outlets are separated by a great length of electrical wiring, the adaptors connected to those outlets may not be able to communicate with each other.

For more information, refer to the troubleshooting section (see page 23) or access the Panasonic PLC Support Site at:

**<http://panasonic.co.jp/pcc/products/en/plc/>**

After you have placed the adaptors where you plan to use them and plugged them into the wall outlets, test the terminal's network speed (see page 17).



## Security information

1. With any network connection, security is a concern. The BL-PA300A provides security to prevent unauthorized access to your network.
  - Only terminals that are registered to the master adaptor can communicate with the network.
  - A terminal may be registered to the master only if the **SETUP** buttons on the master and terminal are pressed within 3 seconds of each other.
2. Data sent and received over the **HD-PLC** network employs AES 128-bit encryption, however we cannot guarantee that data will not be intercepted by a third party.
3. For security, reset your adaptors (see page 20) in the following situations.
  - If you are concerned that another adaptor may have been accidentally registered to your master (for example, the adaptor of someone who lives in the same apartment building as you), reset each of your adaptors and register them again.
  - If you discard an adaptor, give an adaptor to someone else to use, or send an adaptor for servicing, reset the adaptor first.
  - If you lose an adaptor, reset your remaining adaptors and register them again.
4. The adaptor does not have a firewall feature. To prevent unauthorized external access to the network, we recommend performing the following steps.
  - Setup security measures for the router and computers accessing the network.
  - Change the default password on the Adaptor Maintenance Screen.  
Refer to the Panasonic PLC Support Site (<http://panasonic.co.jp/pcc/products/en/plc/>) for information about changing the default password.

# Security notices for when sending an adaptor for service

Please note the following when sending an adaptor for servicing.

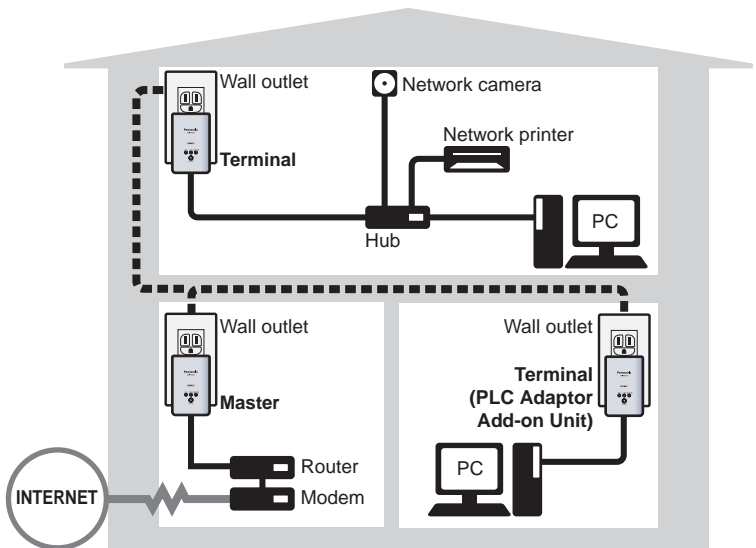
- Reset the adaptor before sending it for servicing.
- After your master adaptor is serviced, you must register all your terminals to the master again.
- After a terminal adaptor is serviced, you must register the terminal to the master again.

## How does it work?

PLC adaptors allow you to create a home network without installing LAN connection points or wireless routers. They connect to the wall outlets in your home, and communicate with each other using your home's existing electrical wiring. By connecting a network device (such as your broadband router, hub, computer, network printer, or network camera) to the LAN jack of each adaptor, you can create a home network that links all the network devices connected to the adaptors.

Once your adaptors are registered, simply plug them into the wall outlets around your home. (The included adaptors are already registered. To register additional adaptors, see page 21.) Finally, connect the master adaptor to your broadband internet router or modem, and then connect the other adaptors to your network devices (computers, network printers, network cameras, etc.). When you're finished, your network devices will be able to access the internet as well as each other.

### Example of an integrated *HD-PLC* network



## Introduction

---

### **Note**

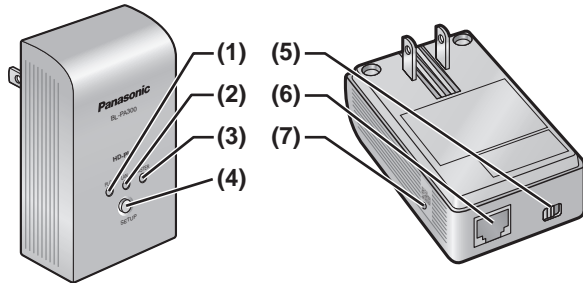
- Only connect the adaptor to a switching hub (repeater hubs cannot be used).

### **Master and terminal adaptors**

Before using your adaptors, it is important to understand the concept of a “master” adaptor and a “terminal” adaptor.

An **HD-PLC** network contains at least 2 adaptors. **One (and only one) adaptor must be configured as the master. All other adaptors are configured as terminals.** (A maximum of 15 terminals per network is recommended.) An adaptor is configured as either a master or a terminal during registration (see page 21). For simplicity, we recommend configuring the adaptor that is directly connected to one of your router’s LAN ports as the master.

## Main unit



### (1) PLC Indicator

Lights to indicate that the adaptor is connected to the **HD-PLC** network. For more information, see page 19.

### (2) LAN Indicator

Lights when a LAN cable is connected to the adaptor, and flashes when data is being sent or received. For more information, see page 19.

### (3) MASTER Indicator

Lights when the adaptor is configured as the master. For more information, see page 19.

### (4) SETUP Button

Used to register the adaptor (see page 21) or test the terminal's network speed (see page 17).

### (5) Mode Selector

The position of this selector during registration (see page 21) determines whether the adaptor is configured as the master or as a terminal.

### (6) LAN Jack

Connects the adaptor to a network device, such as a broadband router, hub, computer, etc. (see page 16).

**(7) FACTORY DEFAULT RESET Button**

Used to reset the adaptor and erase its registration (see page 20).

## Placing the adaptors

Refer to the information on page 7 when selecting a location to place your adaptors.

### Note

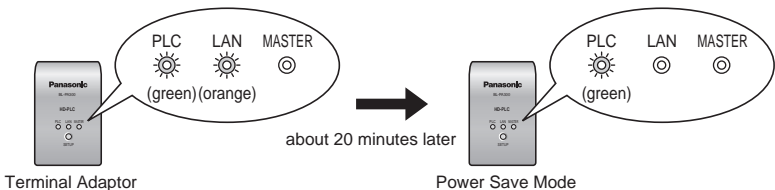
- If you have purchased additional adaptors, make sure you have registered them to the master (see page 21) before placing them where you plan to use them.
- Connect the adaptor to a wall outlet in the room where you plan to use it.
  - Confirm that the **PLC** indicator of each adaptor lights in green when you plug the adaptors into the wall outlets.
    - If the **PLC** indicators do not light in green, see page 23.

After you have plugged the adaptors into the wall outlets in the rooms where you plan to use them, test the terminal's network speed (see page 17).

## Power Save Mode

If a terminal's LAN port is inactive for more than 20 minutes (i.e., if its LAN indicator is orange for more than 20 minutes), the terminal automatically enters Power Save mode, and its power consumption is reduced. While in Power Save mode, the adaptor's LAN indicator is turned off.

Power Save mode is only activated for terminal adaptors that are linked to the **HD-PLC** network.



Power Save is deactivated when:

- An active network device is connected to the terminal.
- A network device connected to the terminal is turned on.
- The adaptor's SETUP button is pressed.

### Connecting adaptors to network devices

Once you have placed the adaptors where you plan to use them and are satisfied with the network speed test results for your terminals (see page 17), follow the procedure below to connect your adaptors to your network devices (broadband router, hub, computer, network printer, network camera, etc.). This will integrate your **HD-PLC** network with your home network.

1. Confirm that each adaptor is plugged in correctly to the wall outlet.
  - Do not plug adaptors in upside-down (i.e., with the LAN jack facing up).
2. Connect a LAN cable to each adaptor's **LAN** jack.
  - The **LAN** indicator of each adaptor turns green.
  - If an adaptor's **LAN** indicator does not turn green, see page 23.
3. Connect the other end of each LAN cable to a network device.
  - Up to 16 adaptors can be connected to the same network. If a hub is used, up to 8 devices can be connected to each adaptor.
  - Avoid connecting more than one adaptor to the same hub or router.
  - Refer to the illustration on page 11 for an example of an integrated **HD-PLC** network.

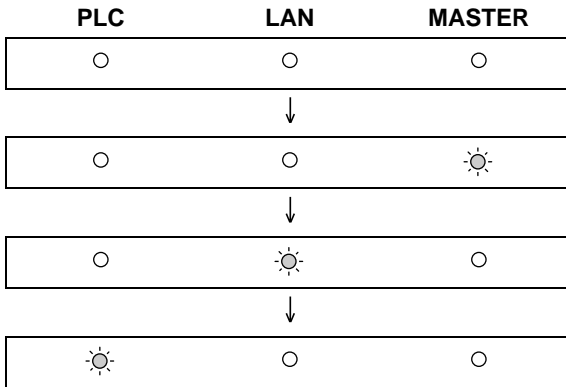
You are now ready to use your computers, network printers, network cameras, etc.



## Testing a terminal's network speed

Once you have connected the adaptors where you plan to use them, follow the procedure below to test the speed of each terminal's network connection to the master. Make sure that the terminal has already been registered to a master (see page 21).

1. Press and hold the terminal's **SETUP** button for about 1 second.
  - The indicators light one at a time.



2. After a few seconds, the network speed test result is displayed.
3. Refer to the chart below to determine the network speed.

PLC	LAN	MASTER	Result	Speed
○	○	○	No link	—
○	○	☀	Good	Less than 10 Mbps*1
○	☀	☀	Better	10 Mbps to 30 Mbps*1
☀	☀	☀	Best	More than 30 Mbps*1

## Useful Information

---

\*1 Approximate data transmission speed when transmitting data using the UDP protocol.

4. If you are not satisfied with the speed test result, connect the terminal to a different wall outlet and repeat the test.

### **Note**

- The fastest and slowest speeds are displayed by the indicators alternatively for about 6 seconds. If there is little difference between the fastest and slowest speeds, they will be displayed as the same speed.
- At least one indicator (“Good” network speed) must be lit in order to use the terminal.
- If you are not satisfied with the speed test result and have tried connecting the terminal to different wall outlets, refer to the troubleshooting section (see page 23).
- If the electrical conditions in your home change, network speed may also change.

Once you are satisfied with the terminal's speed test result, you are ready to connect each adaptor to a network device (broadband router, hub, computer, network printer, network camera, etc.; see page 16).

## Understanding the indicators

<b>PLC</b>	Green, lit	The adaptor is successfully connected to the <b>HD-PLC</b> network.
	Green, flashing	The terminal is being registered to the master.
	Green, flashes once every 5 seconds	The adaptor is registered to the master, but it is not connected to the <b>HD-PLC</b> network.
	Red, lit for 5 seconds	There was an error during registration. Try again.
	Red, lit	The adaptor is not functioning properly and cannot communicate over the <b>HD-PLC</b> network. Contact an authorized Panasonic service center.
	Off	The adaptor is not plugged in. The adaptor is not connected to the <b>HD-PLC</b> network (no other adaptors found, not configured, etc.).
<b>LAN</b>	Green, lit	A LAN cable is connected to the adaptor.
	Green, flashing	Data is being sent/received.
	Orange, lit	There is no network device connected to the adaptor via the LAN cable, or the network device is not turned on.
	Off	The adaptor is not plugged in. Power Save is active. (See page 15)
<b>MASTER</b>	Green, lit	The adaptor is configured as the master.
	Green, flashes for 10 seconds	A terminal has been successfully registered to the master.
	Off	The adaptor is not configured as the master.

### Resetting an adaptor

Normally an adaptor does not need to be reset, however, you may need to reset an adaptor if:

- You are concerned that another adaptor may have been accidentally registered to your master. (For example, the adaptor of someone who lives in the same apartment building as you.)
- An error occurs while registering a terminal to the master.
- You are registering an adaptor.

#### **Note**

- Resetting a terminal erases its registration to the master. It must be registered to the master again in order to be used.
- If the master is reset, all terminals must be registered to the master again in order to be used.

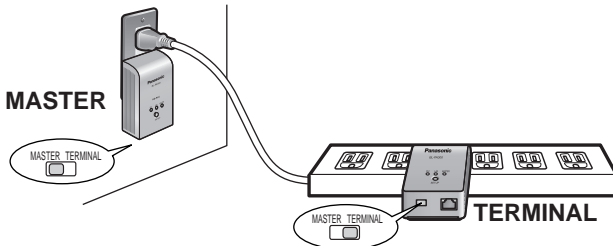
Follow the procedure below to reset an adaptor.

1. With a pointed object press the **FACTORY DEFAULT RESET** button on the adaptor for about 3 seconds.
  - All the adaptor's indicators will begin flashing.
2. Once all the adaptor's indicators stop flashing, the adaptor has been reset.
  - Do not unplug the adaptor for about 30 seconds.

## Registration

Follow the procedure below when you want to:

- Add an additional terminal to your **HD-PLC** network.
  - Re-register the master and terminal after resetting the master.
1. Confirm that the mode selector of the master adaptor is set to **MASTER**.
  2. Confirm that the mode selector of the terminal adaptor that you want to register is set to **TERMINAL**.
  3. Plug the master adaptor and a power strip into the same wall outlet.
    - Registration may not be successful if the master and power strip are connected to different wall outlets during registration.
    - Make sure the power strip is turned on. Do not use a power strip with a noise filter or surge protector feature.
  4. Plug the terminal adaptor into the power strip.



5. Reset the terminal by pressing the **FACTORY DEFAULT RESET** button on the terminal for about 3 seconds (see page 20).
  - Check the position of the adaptor's mode selector (see page 13) and make sure that you reset the terminal adaptor (not the master).
6. Press the **SETUP** button on both adaptors for about 1 second. The order in which they are pressed does not matter.
  - The **PLC** indicator of each adaptor will begin to flash in green.
  - Make sure you press the **SETUP** button on each adaptor within 3 seconds of each other.

## Useful Information

---

7. When the **PLC** indicator of each adaptor lights in green, registration was successful.
  - If the **PLC** indicators do not light in green, see page 23.
8. Wait about 30 seconds, then unplug the adaptors and place them where you plan to use them (see page 15).

### Note

- While registering an additional terminal, communication between all other adaptors may be disrupted for about 10 seconds.

# Troubleshooting

## Performance issues

The troubleshooting notes in this section are provided to resolve the following types of performance issues.

- Inability to transmit data over the **HD-PLC** network
- Slow data transmission speeds (interrupted video or audio, slow download speeds, etc.)
- Intermittent or varied performance (faster at certain times, slower at others)
- Interference caused by an adaptor
- The **PLC** indicator is not lit in green even though you have registered the adaptor.

## Troubleshooting notes

In most cases, performance issues such as those listed above can be resolved by performing the steps in the following troubleshooting notes. Each note contains several steps. After you perform each step, test the terminal's network speed (see page 17) to see if the issue has been resolved. For more information, access the Panasonic PLC Support Site at: <http://panasonic.co.jp/pcc/products/en/plc/>

### Troubleshooting note #1:

#### Adaptor issues

Perform each step until the performance issue is solved.

1. Unplug the master and terminal adaptors, then plug them into the wall outlets again. The indicators on the adaptors will light if the adaptors are receiving power. If a wall outlet has a power switch, make sure it is turned on.
2. Confirm that all LAN cables are securely connected to each adaptor. Use high-quality LAN cables. Also confirm that other network devices (routers, hubs, etc.) are turned on as well as properly connected and configured.
3. Try connecting the master and/or terminal adaptor to a different wall outlet.

## Useful Information

---

4. If you are not able to plug an adaptor directly into a wall outlet and must use a power strip, make sure the power strip is plugged directly into a wall outlet and not to another power strip.
5. Make sure the power strip does not have a noise filter or a surge protector, as these features may interfere with the performance of your adaptors.
6. Use a power strip with an AC cord that is as short as possible.
7. Re-register the terminal following the procedure on page 21.

If the performance issue is not solved, continue to the next troubleshooting note.

### **Troubleshooting note #2:**

#### **Eliminating interference caused by other appliances**

Perform each step until the performance issue is solved.

1. Identify potential electrical noise emitting appliances, and unplug them (if possible) briefly while you test the adaptor's network speed.  
The following appliances are more likely to produce noise:
  - Battery chargers (including cell phone chargers)
  - AC adaptors (including AC adaptors for modems, routers, notebook computers, etc.)
  - Hair dryers
  - Vacuum cleaners
  - Lights or lamps which have a dimmer switch or a touch-sensitive on/off feature
  - Power drills
2. If unplugging a device seems to resolve the adaptor's performance issue, connect the device to a different wall outlet.
3. If connecting the device to a different wall outlet does not resolve the performance issue, connect the device to a noise filtering power strip with an AC cord that is as short as possible.



**Troubleshooting note #3:****Eliminating interference caused by an adaptor**

This product may interfere with the following appliances:

- Short wave radios
- Lights or lamps which have a touch-sensitive on/off feature
- Other PLC adaptors which do not use the **HD-PLC** standard
- Wireless devices (including wireless mice, etc.)

Perform each step until the performance issue is solved. If the following steps do not resolve the issue, refer to the Panasonic PLC Support Site at: <http://panasonic.co.jp/pcc/products/en/plc/> or call our customer call center at 1-800-272-7033.

1. Make sure that the appliance is not plugged into the same wall outlet as an adaptor.
2. Move the appliance away from any nearby adaptors.
3. Connect the appliance to a power strip.
4. For short wave radios, place the radio near a window.

## Useful Information

---

# Specifications

All specifications are subject to change without notice.

## Power Line Communication interface

Standard	<b>HD-PLC</b>
Actual transmission speed*1	UDP: Max. 90 Mbps TCP*2: Max. 65 Mbps
Maximum recommended no. of adaptors per network*3	16 (including the master)
Maximum recommended no. of devices connected to each adaptor*4	8 (when using a hub*5)

\*1 Speed between BL-PA300A adaptors. Results may vary depending on electrical conditions, network environment, and other factors. For information on how transmission speed is measured, access the Panasonic PLC Support Site at: <http://panasonic.co.jp/pcc/products/en/plc/>

\*2 Using Linux FTP.

\*3 Performance may be affected as more adaptors are added to the network.

\*4 Connecting more network devices to an adaptor may increase network traffic and affect performance.

\*5 Only use switching hubs.

## LAN interface

Standard	IEEE 802.3/IEEE 802.3u
Interface	10 Base-T 100 Base-TX Auto MDI/MDI-X
Protocol	IPv4, IPv6, TCP, UDP
Access method	CSMA/CD

## User interface

Indicators	<b>PLC</b> (green, red) <b>LAN</b> (green, orange) <b>MASTER</b> (green)
Other	Mode Selector ( <b>MASTER</b> or <b>TERMINAL</b> switch) <b>SETUP</b> button <b>FACTORY DEFAULT RESET</b> button

## General

Operational environment	0–40 °C (32–104 °F) 20%–85% humidity (without condensation)
Dimensions (W x D x H)	Approx. 55 mm x 33 mm x 90 mm (2 3/16 in. x 1 5/16 in. x 3 9/16 in.)
Weight	150 g (0.33 lb)
Power supply	Input 120 V AC 60 Hz
Power consumption	In normal mode: 3 W In Power Save mode: less than 1 W

## HD-PLC interface

Frequency band	2–28 MHz
Modulation	Wavelet OFDM (16 PAM–2 PAM)
Transmission PHY rate	Max. 210 Mbps*1
Access method	CSMA/CA
Error correction	Reed-Solomon encoder/decoder Convolutional encoder/Viterbi decoder
Encryption	AES 128-bit encryption
Communication distance	Approx. 200 m (650 ft.)*2

\*1 This is the theoretical maximum data transmission speed of the **HD-PLC** standard.

\*2 Varies depending on the electrical environment. For more information, see page 7.

### Adaptor Maintenance Screen

You can access an adaptor's maintenance screen using your computer's web browser to perform the following tasks:

- Update adaptor firmware
- Remove terminal adaptor registration
- Confirm adaptor status and network information
- Change adaptor IP addresses
- Change adaptor access passwords

Refer to the Panasonic PLC Support Site (<http://panasonic.co.jp/pcc/products/en/plc/>) for information about accessing and operating the adaptor maintenance screen.

## FCC and other information

This equipment has been tested and found to comply with the limit for a Class B digital device, pursuant to Part 15 of the FCC rules. These limits are designed to provide reasonable protection against harmful interference in a residential installation. This equipment generates, uses, and can radiate radio frequency energy and, if not installed and used in accordance with the instructions, may cause harmful interference to radio communications. However, there is no guarantee that interference will not occur in a particular installation. If this equipment does cause harmful interference to radio or television, reception, which can be determined by tuning the equipment off and on, the user is encouraged to try to correct the interference by one or more the following measures:

- Reorient or relocate the receiving antenna.
- Increase the separation between the equipment and receiver.
- Connect the equipment into an outlet on a circuit different from that to which the receiver is connected.
- Consult the dealer or an experienced radio/TV technician for help.

### CAUTION

Any changes or modifications not expressly approved by the party responsible for compliance could void the user's authority to operate this device.

### NOTICE

This device complies with Part 15 of the FCC Rules. Operation is subject to the following two conditions:

1. This device may not cause harmful interference.
2. This device must accept any interference received, including interference that may cause undesired operation.

### Responsible Party

Panasonic Corporation of North America  
One Panasonic Way, Secaucus, New Jersey 07094  
Phone number: 1-800-211-PANA (7262)

## Useful Information

---

### Environment

Do not place the unit in a room where the temperature is less than 0 °C (32 °F) or greater than 40 °C (104 °F). Allow 10 cm (4 in.) clearance around the unit for proper ventilation. Avoid excessive smoke, dust, mechanical vibration, shock, or direct sunlight.

### Routine Care

Wipe the unit with a soft cloth. Do not use benzine, thinner, or any abrasive powder. When you leave the unit unused for a long period of time, unplug the adaptor from the outlet.

### In the Event of Trouble

Consult an authorized Panasonic Factory Service Center.



## Instrucciones de operación

Paquete inicial del adaptador PLC  
Comunicación a través de la línea eléctrica

Modelo No. **BL-PA300KTA**

Juego de 2 adaptadores (Master y Terminal)

## Tabla de contenido

### Introducción

INSTRUCCIONES DE SEGURIDAD IMPORTANTES .....	35
Información sobre el entorno eléctrico .....	36
Información de seguridad.....	38
Avisos de seguridad para enviar un adaptador a servicio.....	39
¿Cómo funciona? .....	40
Unidad principal.....	42

### Instalación

Colocación de adaptadores.....	44
Modo Power Save (Ahorro de energía).....	44
Conexión de los adaptadores a los dispositivos de red .....	45

### Información útil

Prueba de la velocidad de red de un terminal.....	46
Cómo entender los indicadores.....	48
Reinicio de un adaptador .....	50
Registro .....	51
Solución de problemas.....	53
Especificaciones.....	56
Pantalla de mantenimiento del adaptador .....	58

### NOTAS IMPORTANTES:

**Para obtener mejores resultados, conecte este producto directamente a una toma de corriente.**

**Este producto podría no funcionar normalmente en ciertos entornos eléctricos.**

**Vea página 36 para obtener más información.**

Por favor lea este documento antes de usar el producto y guarde este documento para referencia futura.

## Introducción

---

Gracias por comprar un producto **HD-PLC** de Panasonic.

## Características principales

### Acceso de red flexible y estable desde cualquier punto de su hogar

El BL-PA300A ofrece la última generación de redes domésticas: comunicación a través de la línea eléctrica de alta definición (**HD-PLC**). Ahora es posible acceder a la red y a alta velocidad y transferir datos de alto rendimiento desde cualquier habitación.

### Cada toma de CA se convierte en un punto de acceso a la red doméstica

Dado que la tecnología **HD-PLC** aprovecha el cableado eléctrico existente en su hogar, no hay necesidad de instalar cables entre las habitaciones.

### Fácil de ampliar

Es posible utilizar un máximo de 16 adaptadores, lo cual significa que puede agregar más adaptadores cada vez que necesite añadir una conexión de red en otra habitación de la casa.

### Pruebas de velocidad de red simples

Puede confirmar la velocidad de conexión de cada adaptador **HD-PLC** con sólo presionar un botón.

### Rápido, fiable y seguro

Con velocidades de hasta 210 Mbps (velocidad PHY)\*1, corrección avanzada de errores y cifrado AES de 128 bits, el adaptador BL-PA300A ofrece seguridad total a la velocidad de la luz.

### Modo Power Save (Ahorro de energía)

El BL-PA300A en funcionamiento normal tiene un consumo de energía de alrededor de 3 W; sin embargo, si el puerto LAN de una terminal está inactivo durante más de 20 minutos, el adaptador entra automáticamente al modo Ahorro de energía y el consumo de energía se reduce a menos de 1 W.

Para obtener más información sobre el funcionamiento del **HD-PLC**, consulte página 40.

---



\*1 Velocidad de transmisión de datos máxima teórica del **HD-PLC** estándar. La velocidad de transmisión de datos máxima real es de alrededor de 90 Mbps para UDP y 65 Mbps para TCP. Los resultados pueden variar según las condiciones eléctricas, el entorno de red y otros factores. Si desea más información, consulte las especificaciones.



## Elementos incluidos



Verifique que el producto incluya los siguientes elementos.

Los artículos adicionales se pueden ordenar llamando al 1-800-332-5368.

<p><b>Adaptador PLC</b> ..... 2 (1 Master y 1 Terminal)</p> 	<p><b>Cable LAN</b>..... 2 No. de pedido: PQJA10138Z</p> 
<p>Primeros pasos ..... 1</p>	<p>Instrucciones de operación (este documento)..... 1</p>

## Accesorios disponibles

Si es necesario, puede agregar adaptadores adicionales. Es posible usar hasta 16 adaptadores en total (inclusive los 2 adaptadores suministrados con este producto).

<p><b>BL-PA300A</b> (Unidad complementaria del adaptador PLC)</p> 	<p><b>BL-PA100A</b> (Unidad complementaria del adaptador PLC)</p> 
--	--

## Abreviaturas

- En este documento nos referimos a este producto como “el adaptador”.

## Introducción

---

### Marcas comerciales

- Linux® es la marca comercial registrada de Linus Torvalds en los EE.UU. y en otros países.
- Las marcas **HD-PLC** o **HD-PLC** son marcas registradas o marcas comerciales de Panasonic Corporation en Japón y otros países.
- Todas las demás marcas comerciales identificadas en el presente son propiedad de sus respectivos dueños.

## INSTRUCCIONES DE SEGURIDAD IMPORTANTES

Al usar este producto, siempre se deben seguir las precauciones de seguridad básicas para reducir el riesgo de incendios, descargas eléctricas o lesiones personales.

1. Lea y comprenda todas las instrucciones. Conserve este documento para consulta futura.
2. Siga todas las instrucciones en este documento y preste atención a todas las advertencias.
3. No instale este producto cerca de fuentes de calor como radiadores, acumuladores de calor, estufas u otros dispositivos (incluidos amplificadores) que emitan calor.
4. Este producto se usa como el dispositivo principal de desconexión. Asegúrese de que la toma de corriente alterna esté instalada cerca de este producto y tenga fácil acceso.
5. El adaptador debe permanecer conectado en todo momento.
6. Para prevenir el riesgo de incendio o descarga eléctrica, no exponga este producto a la lluvia ni a ningún tipo de humedad, y no lo conecte al revés (es decir, con el enchufe LAN hacia arriba).
7. No toque el producto durante tormentas eléctricas.
8. Desconecte este producto cuando no se vaya a usar durante un largo periodo.
9. Para todas las tareas de servicio, comuníquese con personal de servicio calificado. las tareas de servicio son necesarias si la unidad no funciona normalmente, ha sido dañada de alguna forma o se ha caído.
10. No use este producto en el exterior.
11. Desconecte esta unidad de las tomas si emite humo, un olor anormal o hace un ruido extraño. Estas condiciones pueden causar un incendio o una descarga eléctrica. Verifique que haya dejado de salir humo y póngase en contacto con un centro de servicio autorizado.

### GUARDE ESTAS INSTRUCCIONES

### Información sobre el entorno eléctrico

Los adaptadores **HD-PLC** se comunican entre sí usando el cableado eléctrico existente en su casa, y pueden verse afectados por el ruido eléctrico o por la longitud del cableado de su casa. Recuerde lo siguiente al colocar cada adaptador.

### Tomas de CA

Para obtener los mejores resultados, le recomendamos que conecte los adaptadores directamente a una toma de corriente. Evite conectar aparatos eléctricos que consuman mucha electricidad a la misma toma de corriente. Además, no se recomienda conectar un adaptador a un sistema de alimentación interrumpida (SAI) o a un dispositivo de alimentación de respaldo.

Aunque recomendamos conectar los adaptadores a una toma de corriente, recuerde lo siguiente si debe conectar un adaptador a una regleta de conectores:

- Asegúrese de que la regleta de conectores no tenga un filtro de ruido ni una protección contra sobretensiones, ya que estas funciones pueden interferir con el rendimiento de sus adaptadores.
- No conecte el adaptador a una regleta de conectores que reciba alimentación de otra regleta de conectores.
- Utilice una regleta de conectores con un cable de CA lo más corto posible.

### Interferencias eléctricas

Ciertos dispositivos eléctricos emiten ruido eléctrico. Si este ruido pasa al cableado eléctrico de su casa, podría interferir con el rendimiento, la velocidad y la confiabilidad de sus adaptadores. Para obtener mejores resultados, le recomendamos que conecte un filtro de ruido eléctrico a los aparatos que emitan ruido.

Los siguientes aparatos tienden a producir ruido:

- Cargadores de baterías (incluidos cargadores de teléfonos celulares)
- Adaptadores de CA (incluidos adaptadores de CA para módems, enrutadores, computadoras portátiles, etc.)
- Secadores de cabello
- Aspiradoras
- Luces o lámparas con interruptores de atenuación o función de encendido/apagado sensible al tacto
- Taladros eléctricos

Además, este producto podría interferir con los siguientes aparatos:

- Radios de onda corta
- Luces o lámparas con función de encendido/apagado sensible al tacto
- Dispositivos inalámbricos (incluidos ratones inalámbricos, etc.)

### Cableado eléctrico

Los adaptadores **HD-PLC** se comunican entre sí usando el cableado eléctrico existente en su casa. Si 2 tomas de corriente están separadas por una gran distancia de cableado eléctrico, es posible que los adaptadores conectados a esas tomas no sean capaces de comunicarse.

Para obtener más información, consulte la sección de solución de problemas (consulte página 53) o visite el sitio de asistencia de Panasonic PLC en: <http://panasonic.co.jp/pcc/products/en/plc/>

Después de que haya colocado los adaptadores donde desea usarlos y los haya conectado a las tomas de corriente, compruebe la velocidad de red de los terminales (consulte página 46).

# Información de seguridad

1. En cualquier conexión de red, la seguridad es una preocupación. El BL-PA300A ofrece seguridad para evitar el acceso no autorizado a su red.
  - Sólo los terminales registrados en el adaptador master pueden comunicarse con la red.
  - Una terminal puede registrarse en el master sólo si los botones **SETUP** en el master y el terminal se presionan 3 segundos cada uno.
2. Los datos enviados y recibidos a través de la red **HD-PLC** emplean cifrado AES de 128 bits; sin embargo, no podemos garantizar que los datos no sean interceptados por terceros.
3. Para fines de seguridad, reinicie sus adaptadores (consulte página 50) en las siguientes situaciones.
  - Si le preocupa que otro adaptador se haya registrado accidentalmente en su master (por ejemplo, el adaptador de alguien que viva en el mismo edificio de departamentos que usted), reinicie cada uno de sus adaptadores y regístrelos nuevamente.
  - Si se deshace de un adaptador, se lo da a alguien para que lo utilice o lo envía para su servicio, reinícielo primero.
  - Si pierde un adaptador, reinicie el resto de los adaptadores y vuelva a registrarlos.
4. El adaptador no cuenta con una función de cortafuegos o firewall. Para impedir el acceso externo no autorizado a la red, le recomendamos que realice los siguientes pasos.
  - Establezca medidas de seguridad para el enrutador y las computadoras que acceden a la red.
  - Cambie la contraseña predeterminada para la Pantalla de mantenimiento del adaptador.

Consulte el sitio de asistencia de Panasonic PLC (<http://panasonic.co.jp/pcc/products/en/plc/>) para obtener información sobre el cambio de la contraseña predeterminada.

## Avisos de seguridad para enviar un adaptador a servicio

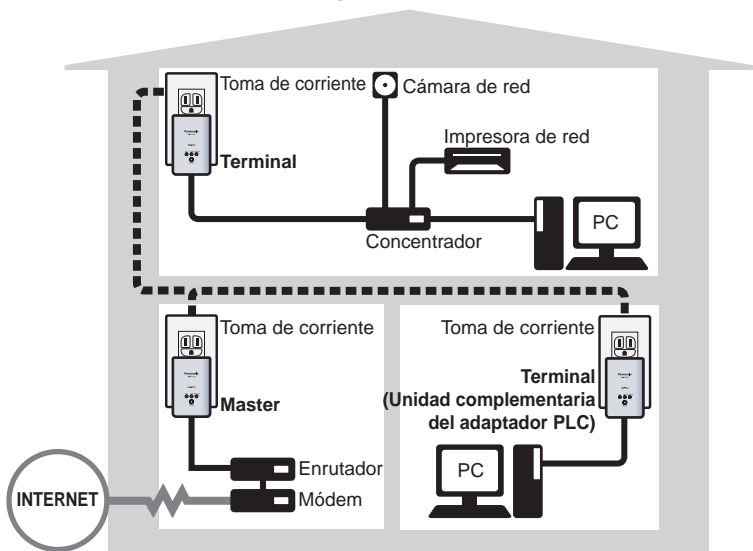
Tome en cuenta lo siguiente al enviar un adaptador a servicio.

- Reinicie el adaptador antes de enviarlo a servicio.
- Después de que se le haya dado servicio a su adaptador master, debe volver a registrar todos los adaptadores terminales en el master.
- Después de que se le haya dado servicio a un adaptador terminal, debe volver a registrarlo en el master.

### ¿Cómo funciona?

Los adaptadores PLC le permiten crear una red doméstica sin instalar puntos de conexión LAN ni enrutadores inalámbricos. Se conectan a las tomas de corriente de su casa y se comunican entre sí usando el cableado eléctrico ya existente. Al conectar un dispositivo de red (como su enrutador de banda ancha, concentrador, computadora, impresora de red o cámara de red) al puerto LAN de cada adaptador, puede crear una red doméstica que vincule a todos los dispositivos de red conectados a los adaptadores. Una vez que sus adaptadores estén registrados, simplemente conéctelos a las distintas tomas de su casa. (Los adaptadores incluidos ya están registrados. Para registrar adaptadores adicionales, consulte página 51.) Finalmente, conecte el adaptador master a su enrutador o módem de Internet de banda ancha y luego conecte los otros adaptadores a sus dispositivos de red (computadoras, impresoras de red, cámaras de red, etc.). Cuando haya terminado, sus dispositivos de red podrán acceder al Internet y al resto de ellos.

#### Ejemplo de una red *HD-PLC* integrada





**Nota**

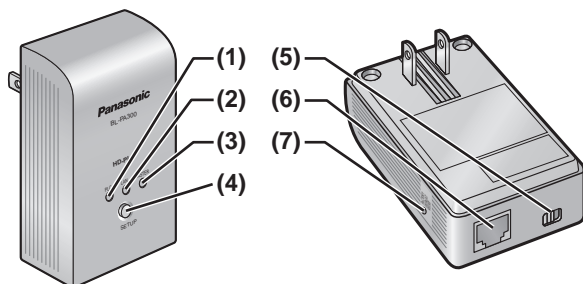
- Sólo conecte el adaptador a un concentrador de conmutación (no se pueden usar los concentradores repetidores).

**Adaptador master y adaptadores terminales**

Antes de utilizar los adaptadores, es importante comprender el concepto de adaptador "master" y adaptador "terminal".

Una red **HD-PLC** contiene como mínimo 2 adaptadores. **Un adaptador (sólo uno) debe configurarse como master. Los demás adaptadores se deben configurar como terminales.** (Se recomienda un máximo de 15 terminales por red.) Un adaptador se configura como master o terminal durante el registro (consulte página 51). Por cuestiones de simplicidad, le recomendamos que configure como master el adaptador conectado directamente a uno de los puertos LAN de su enrutador.

# Unidad principal



**(1) PLC Indicador**

Se enciende para indicar que el adaptador está conectado a la red **HD-PLC**. Para obtener más información, consulte página 48.

**(2) LAN Indicador**

Se enciende cuando hay un cable LAN conectado al adaptador y parpadea cuando se envían o reciben datos. Para obtener más información, consulte página 48.

**(3) MASTER Indicador**

Se enciende cuando el adaptador está configurado como master. Para obtener más información, consulte página 49.

**(4) SETUP Botón**

Se usa para registrar el adaptador (consulte página 51) o para probar la velocidad de red del terminal (consulte página 46).

**(5) Selector de modo**

La posición de este selector durante el registro (consulte página 51) determina si el adaptador se configurará como master o terminal.

**(6) Puerto LAN**

Conecta el adaptador a un dispositivo de red, como un enrutador de banda ancha, concentrador, computadora, etc. (consulte página 45).

**(7) FACTORY DEFAULT RESET Botón**

Se utiliza para reiniciar el adaptador y eliminar su registro (consulte página 50).

# Colocación de adaptadores

Consulte la información en página 36 al elegir un lugar para colocar sus adaptadores.

### Nota

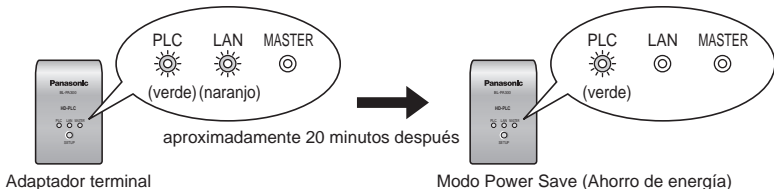
- Si compró adaptadores adicionales, asegúrese de registrarlos en el master (consulte página 51) antes de colocarlos en el lugar donde planea usarlos.
1. Conecte el adaptador a la toma de corriente de la habitación pretende usarlo.
  2. Verifique que el indicador **PLC** de cada adaptador se encienda en verde al conectarlo a la toma de corriente.
    - Si los indicadores **PLC** no se encienden en verde, consulte página 53.

Después de que haya conectado los adaptadores a las tomas de corriente de las habitaciones donde desea usarlos, compruebe la velocidad de red de los terminales (consulte página 46).

## Modo Power Save (Ahorro de energía)

Si el puerto LAN de un terminal está inactivo durante más de 20 minutos (es decir, si el indicador LAN está de color naranja durante más de 20 minutos), el terminal entra automáticamente en el modo Power Save y reduce su consumo de energía. Mientras está en el modo Power Save, el indicador LAN del adaptador está apagado.

El modo Power Save (Ahorro de energía) sólo se activa para adaptadores terminal que están vinculados a la red **HD-PLC**.



El modo Power Save se desactiva cuando:

- Un dispositivo de red activo se conecta al terminal.
- Se enciende un dispositivo de red conectado al terminal.
- Se presiona el botón SETUP.

## Conexión de los adaptadores a los dispositivos de red

Una vez que haya colocado los adaptadores donde pretende usarlos y esté satisfecho con los resultados de las pruebas de velocidad de red de los terminales (consulte página 46), siga el procedimiento que se detalla a continuación para conectar sus adaptadores a los dispositivos de red (enrutador de banda ancha, concentrador, computadora, impresora de red, cámara de red, etc.). De esta forma, integrará la red **HD-PLC** con su red doméstica.

1. Verifique que cada adaptador esté conectado correctamente a la toma de corriente.
  - No conecte al revés los adaptadores (es decir, con el puerto LAN hacia arriba).
2. Conecte un cable de LAN al puerto **LAN** de cada adaptador.
  - El indicador **LAN** de cada adaptador se encenderá en verde.
  - Si el indicador **LAN** de un adaptador no se enciende en verde, consulte página 53.
3. Conecte el otro extremo de cada cable de LAN a un dispositivo de red.
  - Es posible conectar un máximo de 16 adaptadores a la misma red. Si utiliza un concentrador, es posible conectar hasta 8 dispositivos a cada adaptador.
  - Evite conectar más de un adaptador al mismo concentrador o enrutador.
  - Consulte la ilustración de página 40 para ver un ejemplo de red **HD-PLC** integrada.

Ahora ya está listo para usar sus computadoras, impresoras de red, cámaras de red, etc.

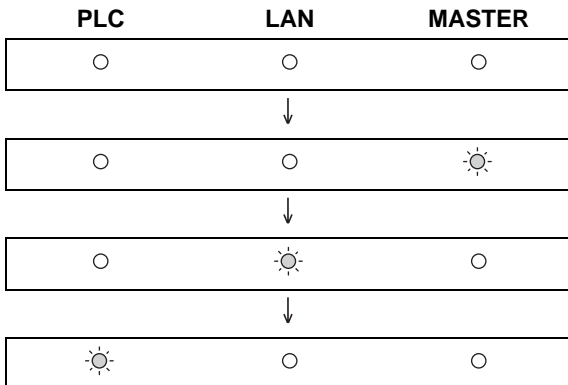
## Prueba de la velocidad de red de un terminal

Una vez que haya conectado los adaptadores en los puntos que planea usarlos, siga el procedimiento que se describe a continuación para probar la velocidad de la conexión de red de cada terminal con el master.

Asegúrese de que el terminal ya se haya registrado en un master (consulte página 51).

1. Presione y mantenga presionado el botón **SETUP** del terminal durante aproximadamente 1 segundo.

- Los indicadores se encienden uno a uno.



2. Después de algunos segundos aparecerá el resultado de la prueba de velocidad de red.
3. Consulte la siguiente tabla para determinar la velocidad de red.

PLC	LAN	MASTER	Resultado	Velocidad
○	○	○	Sin conexión	—
○	○	☀	Buena	Menos de 10 Mbps*1
○	☀	☀	Mejor	De 10 Mbps a 30 Mbps*1
☀	☀	☀	Óptima	Más de 30 Mbps*1

\*1 Velocidad de transmisión de datos aproximada al transmitir datos con el protocolo UDP.

4. Si no está satisfecho con el resultado de la prueba de velocidad, conecte el terminal a una toma de corriente diferente y repita la prueba.

### **Nota**

- Los indicadores muestran las velocidades más rápida y más lenta en forma alternada durante unos 6 segundos. Si existe poca diferencia entre las velocidades más rápida y más lenta, aparecerán como la misma velocidad.
- Por lo menos un indicador (“Buena” velocidad de red) debe estar encendido para usar el terminal.
- Si usted no está satisfecho con el resultado de la prueba de velocidad y ya probó conectar el adaptador terminal a distintas tomas de corriente, consulte la sección de solución de problemas (consulte página 53).
- Si las condiciones eléctricas cambian en su hogar, es posible que la velocidad de red también cambie.

Una vez satisfecho con el resultado de la prueba de velocidad del terminal, podrá conectar cada adaptador a un dispositivo de red (enrutador de banda ancha, concentrador, computadora, impresora de red, cámara de red, etc.; consulte página 45).

## Cómo entender los indicadores

<b>PLC</b>	Verde, encendido	El adaptador está conectado correctamente a la red <b>HD-PLC</b> .
	Verde, intermitente	El terminal está registrándose en el master.
	Verde, se enciende cada 5 segundos	El adaptador está registrado en el master, pero no está conectado a la red <b>HD-PLC</b> .
	Rojo, encendido durante 5 segundos	Hubo un error durante el registro. Inténtelo nuevamente.
	Rojo, encendido	El adaptador no funciona correctamente y no puede comunicarse a través de la red <b>HD-PLC</b> . Póngase en contacto con un centro de servicio Panasonic autorizado.
	Apagado	El adaptador no está enchufado. El adaptador no está conectado a la red <b>HD-PLC</b> (no se encontraron ni configuraron otros adaptadores, etc.).
<b>LAN</b>	Verde, encendido	Hay un cable LAN conectado al adaptador.
	Verde, intermitente	Se están enviando/recibiendo datos.
	Naranja, encendido	No hay ningún dispositivo de red conectado al adaptador a través del cable de LAN o el dispositivo de red no está encendido.
	Apagado	El adaptador no está enchufado. El modo Power Save está activo. (Consulte página 44)



<b>MASTER</b>	Verde, encendido	El adaptador está configurado como master.
	Verde, se enciende durante 10 segundos	Un terminal se ha registrado correctamente en el master.
	Apagado	El adaptador no está configurado como master.

# Reinicio de un adaptador

Generalmente no es necesario reiniciar los adaptadores; sin embargo, es posible que tenga que reiniciar un adaptador si:

- Le preocupa que otro adaptador pueda haberse registrado accidentalmente en su master. (Por ejemplo, el adaptador de alguien que viva en el mismo edificio de departamentos que usted.)
- Se ha producido un error al registrar un terminal en el master.
- Está registrando un adaptador.

### **Nota**

- Al reiniciar un terminal se elimina su registro en el master. Para poder utilizarlo, es necesario registrarlo nuevamente en el master.
- Si se reinicia el master, todos los terminales deben registrarse nuevamente para puedan utilizarse.

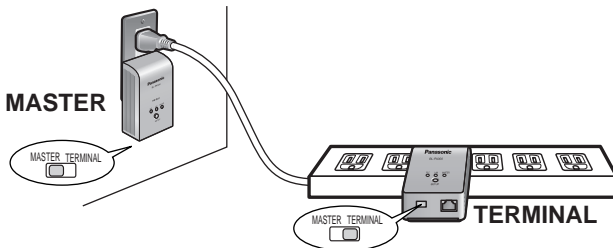
Siga el procedimiento descrito a continuación para reiniciar un adaptador.

1. Con un objeto puntiagudo presione el botón **FACTORY DEFAULT RESET** en el adaptador durante 3 segundos aproximadamente.
  - Todos los indicadores del adaptador comenzarán a parpadear.
2. Una vez que todos los indicadores del adaptador dejen de parpadear, el adaptador ya se habrá reiniciado.
  - No desenchufe el adaptador durante alrededor de 30 segundos.

# Registro

Siga este procedimiento para:

- Agregar un terminal adicional a la red **HD-PLC**.
  - Volver a registrar el master y el terminal después de reiniciar el master.
1. Verifique que el selector de modo del adaptador master esté ajustado en **MASTER**.
  2. Verifique que el selector de modo del adaptador terminal que desea usar esté ajustado en **TERMINAL**.
  3. Conecte el adaptador master y una regleta de conectores en la misma toma de corriente.
    - El registro puede fallar si el master y la regleta de conectores están conectados a distintas tomas de corriente durante el registro.
    - Asegúrese de que la regleta de conectores esté encendida. No utilice una regleta de conectores con funciones de filtro de ruido o protección contra sobretensiones.
  4. Conecte el adaptador terminal a la regleta de conectores.



5. Reinicie el terminal al presionar el botón **FACTORY DEFAULT RESET** en el terminal durante 3 segundos aproximadamente (consulte página 50).
  - Verifique la posición del selector de modo del adaptador (consulte página 42) y asegúrese de reiniciar el adaptador terminal (no el master).

## Información útil

---

6. Presione el **SETUP** botón en ambos adaptadores durante 1 segundo aproximadamente. El orden en que se presionen es irrelevante.
  - El indicador **PLC** de cada adaptador comenzará a parpadear en verde.
  - Asegúrese de presionar el botón **SETUP** de cada adaptador con 3 segundos de intervalo entre sí.
7. Cuando el indicador **PLC** de cada adaptador se encienda en verde, el registro se habrá realizado correctamente.
  - Si los indicadores **PLC** no se encienden en verde, consulte página 53.
8. Espere 30 segundos aproximadamente, luego desenchufe los adaptadores y colóquelos donde tenga planeado usarlos (consulte página 44).

### **Nota**

- Al registrar un adaptador terminal adicional, es posible que la comunicación entre todos los demás adaptadores se interrumpa durante 10 segundos aproximadamente.

# Solución de problemas

## Problemas de funcionamiento

Las notas para la solución de problemas de esta sección sirven para resolver los siguientes tipos de problemas de funcionamiento.

- Incapacidad de transmitir datos a través de la red **HD-PLC**
- Velocidades de transmisión de datos bajas (interrupciones en la transmisión de video o audio, velocidades de descarga bajas, etc.)
- Funcionamiento variable o intermitente (más lento o más rápido según el momento)
- Interferencias causadas por un adaptador
- El indicador **PLC** no se enciende en verde a pesar de que haya registrado el adaptador.

## Notas para la solución de problemas

En la mayoría de los casos, los problemas de funcionamiento como los que se acaban de mencionar pueden resolverse realizando los pasos que se indican en las siguientes notas. Cada nota contiene varios pasos. Después de realizar cada paso, pruebe la velocidad de red del terminal (consulte página 46) para comprobar si se ha resuelto el problema. Para obtener más información, visite el sitio de asistencia de Panasonic PLC en:

<http://panasonic.co.jp/pcc/products/en/plc/>

### Nota para la solución de problemas No. 1:

#### Problemas del adaptador

Realice cada paso hasta que se haya resuelto el problema de funcionamiento.

1. Desenchufe el adaptador master y los adaptadores terminales y luego vuélvalos a enchufar en las tomas de corriente. Los indicadores en los adaptadores se encenderán si los adaptadores reciben alimentación. Si una toma de corriente tiene un interruptor de energía, asegúrese de que esté encendido.
2. Verifique que todos los cables de LAN estén conectados de forma segura a cada adaptador. Use cables de LAN de alta calidad. Además, verifique que todos los demás dispositivos de red (enrutadores, concentradores, etc.) estén encendidos y correctamente conectados y configurados.
3. Intente conectar el adaptador master y/o terminal a una toma de corriente distinta.

## Información útil

---

4. Si no puede conectar un adaptador directamente a una toma de corriente y tiene que utilizar una regleta de conectores, asegúrese de conectar la regleta directamente a una toma de corriente y no a otra regleta.
5. Asegúrese de que la regleta de conectores no tenga un filtro de ruido ni una protección contra sobretensiones, ya que estas funciones pueden interferir con el rendimiento de sus adaptadores.
6. Utilice una regleta de conectores con un cable de CA lo más corto posible.
7. Vuelva a registrar el terminal siguiendo el procedimiento de página 51.

Si esto no resuelve el problema de funcionamiento, continúe con la siguiente nota para la solución de problemas.

### **Nota para la solución de problemas No. 2:**

#### **Eliminación de interferencias causadas por otros aparatos**

Realice cada paso hasta solucionar el problema de funcionamiento.

1. Identifique los aparatos que emitan ruido eléctrico y desconéctelos (según sea posible) brevemente mientras prueba la velocidad de red del adaptador.  
Es posible que los siguientes aparatos produzcan ruido:
  - Cargadores de baterías (incluidos cargadores de teléfonos celulares)
  - Adaptadores de CA (incluidos adaptadores de CA para módems, enrutadores, computadoras portátiles, etc.)
  - Secadores de cabello
  - Aspiradoras
  - Luces o lámparas con interruptores de atenuación o función de encendido/apagado sensible al tacto
  - Taladros eléctricos
2. Si al desconectar un aparato parece que se resuelve el problema de funcionamiento del adaptador, conecte dicho aparato a una toma de corriente distinta.
3. Si al conectar el aparato a una toma de corriente diferente no se resuelve el problema, conéctelo a una regleta de conectores con filtro de ruido y un cable de CA lo más corto posible.

**Nota para la solución de problemas No. 3:**

**Eliminación de interferencias causadas por un adaptador**

Este producto podría interferir con los siguientes aparatos:

- Radios de onda corta
- Luces o lámparas con función de encendido/apagado sensible al tacto
- Otros adaptadores PLC que no usan el estándar **HD-PLC**
- Dispositivos inalámbricos (incluidos ratones inalámbricos, etc.)

Realice cada paso hasta solucionar el problema de funcionamiento. Si los siguientes pasos no resuelven el problema, visite el sitio de asistencia de Panasonic PLC en: <http://panasonic.co.jp/pcc/products/en/plc/> o llame a nuestro centro de atención al cliente al 1-800-272-7033.

1. Asegúrese de que el aparato no esté enchufado en la misma toma de corriente que un adaptador.
2. Aleje el aparato de cualquier adaptador cercano.
3. Conecte el aparato a una regleta de conectores.
4. Para las radios de onda corta, coloque la radio cerca de una ventana.

# Especificaciones

Todas las especificaciones están sujetas a cambios sin previo aviso.

## Interfaz de comunicación a través de la línea eléctrica

Estándar	<i>HD-PLC</i>
Velocidad de transmisión real*1	UDP: máx. 90 Mbps TCP*2: máx. 65 Mbps
Número máximo recomendado de adaptadores por red*3	16 (incluido el master)
Número máximo recomendado de dispositivos conectados a cada adaptador*4	8 (si se usa un concentrador*5)

\*1 Velocidad entre los adaptadores BL-PA300A. Los resultados pueden variar según las condiciones eléctricas, el entorno de red y otros factores. Para obtener información sobre la medición de la velocidad de transmisión, visite el sitio de asistencia de Panasonic PLC en: <http://panasonic.co.jp/pcc/products/en/plc/>

\*2 Con FTP Linux.

\*3 El funcionamiento puede verse afectado a medida que se añadan adaptadores adicionales a la red.

\*4 Al conectar más dispositivos de red a un adaptador aumenta el tráfico de red, lo que afectará el funcionamiento.

\*5 Sólo use concentradores de conmutación.

## Interfaz LAN

Estándar	IEEE 802.3/IEEE 802.3u
Interfaz	10 Base-T 100 Base-TX Auto MDI/MDI-X
Protocolo	IPv4, IPv6, TCP, UDP
Método de acceso	CSMA/CD



## Interfaz de usuario

Indicadores	<b>PLC</b> (verde, rojo) <b>LAN</b> (verde, naranja) <b>MASTER</b> (verde)
Otros	Selector de modo (interruptor <b>MASTER</b> o <b>TERMINAL</b> ) Botón <b>SETUP</b> Botón <b>FACTORY DEFAULT RESET</b>

## Generalidades

Entorno operacional	0–40 °C (32–104 °F) 20%–85% de humedad (sin condensación)
Dimensiones (ancho x largo x alto)	Aprox. 55 mm x 33 mm x 90 mm (2 3/16 pulgadas x 1 5/16 pulgadas x 3 9/16 pulgadas)
Peso	150 g (0.33 libras)
Alimentación	Entrada 120 V AC 60 Hz
Consumo de energía	En modo normal: 3 W En modo Power Save: menos de 1 W

## Interfaz *HD-PLC*

Banda de frecuencia	2–28 MHz
Modulación	Tren de ondas OFDM (16 PAM–2 PAM)
Velocidad de transmisión PHY	Máx. 210 Mbps*1
Método de acceso	CSMA/CA
Corrección de errores	Codificador/decodificador Reed-Solomon Codificador convolucional/decodificador Viterbi
Cifrado	Cifrado AES de 128 bits
Distancia de comunicación	Aprox. 200 m (650 ft.)*2

\*1 Velocidad de transmisión de datos máxima teórica del **HD-PLC** estándar.

\*2 Varía según el entorno eléctrico. Para obtener más información, consulte página 36.

# Pantalla de mantenimiento del adaptador

Puede acceder a la pantalla de mantenimiento de un adaptador usando el navegador Web de su computadora para realizar las siguientes tareas:

- Actualizar el firmware del adaptador
- Eliminar el registro del adaptador terminal
- Confirmar el estado del adaptador y la información de la red
- Cambiar las direcciones IP del adaptador
- Cambiar las contraseñas de acceso del adaptador

Consulte el sitio de asistencia de Panasonic PLC

(<http://panasonic.co.jp/pcc/products/en/plc/>) para obtener más información sobre el acceso y funcionamiento de la pantalla de mantenimiento del adaptador.

## Limited warranty

PANASONIC CONSUMER  
ELECTRONICS COMPANY,  
DIVISION OF PANASONIC  
CORPORATION OF NORTH AMERICA  
One Panasonic Way  
Secaucus, New Jersey 07094

PANASONIC PUERTO RICO, INC.  
San Gabriel Industrial Park,  
Ave. 65 de Infantería, Km. 9.5,  
Carolina, Puerto Rico 00985

### Panasonic PLC Adaptor Limited Warranty

#### Limited Warranty Coverage

If your product does not work properly because of a defect in materials or workmanship, Panasonic Consumer Electronics Company or Panasonic Puerto Rico, Inc. (collectively referred to as "the warrantor") will, for the length of the period indicated on the chart below, which starts with the date of original purchase ("warranty period"), at its option either (a) repair your product with new or refurbished parts, or (b) replace it with a new or a refurbished product. The decision to repair or replace will be made by the warrantor.

Parts	Labor
One (1) year	One (1) year

During the "Labor" limited warranty period there will be no charge for labor. During the "Parts" limited warranty period, there will be no charge for parts. You must carry-in or mail-in your product pre-paid during the limited warranty period. This limited warranty excludes both parts and labor for batteries, antennas and cosmetic parts (cabinet). This limited warranty only applies to products purchased and serviced in the United States or Puerto Rico. This limited warranty is extended only to the original purchaser and only applies to products purchased as new. A purchase receipt or other proof of the original purchase date is required for limited warranty service.

#### Carry-In or Mail-In Service

For Carry-In or Mail-In Service in the United States, call 1-800-272-7033 or visit the Panasonic web site: <http://www.panasonic.com>  
For assistance in Puerto Rico, call Panasonic Puerto Rico, Inc. (787)-750-4300 or fax (787)-768-2910.

The warrantor or authorized service is not responsible for the removal or re-installation of this product.

## Limited warranty

---

### **Limited Warranty Limits And Exclusions**

This limited warranty **ONLY COVERS** failures due to defects in materials or workmanship, and **DOES NOT COVER** normal wear and tear or cosmetic damage. The limited warranty **ALSO DOES NOT COVER** damages which occurred in shipment, or failures which are caused by products not supplied by the warrantor, or failures which result from accidents, misuse, abuse, neglect, bug infestation, mishandling, misapplication, alteration, faulty installation, set-up adjustments, misadjustment of consumer controls, improper maintenance, power line surge, lightning damage, modification, rental use of the product, or service by anyone other than a Factory Service Center or other Authorized Servicer, or damage that is attributable to acts of God.

**THERE ARE NO EXPRESS WARRANTIES EXCEPT AS LISTED UNDER "LIMITED WARRANTY COVERAGE". THE WARRANTOR IS NOT LIABLE FOR INCIDENTAL OR CONSEQUENTIAL DAMAGES RESULTING FROM THE USE OF THIS PRODUCT, OR ARISING OUT OF ANY BREACH OF THIS WARRANTY. (As examples, this excludes damages for lost time, cost of removal or re-installation of this product, travel to and from the servicer, or loss of images, data or other memory content. The items listed are not exclusive, but are for illustration only.) ALL EXPRESS AND IMPLIED WARRANTIES, INCLUDING THE WARRANTY OF MERCHANTABILITY, ARE LIMITED TO THE PERIOD OF THE LIMITED WARRANTY.**

Some states do not allow the exclusion or limitation of incidental or consequential damages, or limitations on how long an implied warranty lasts, so the exclusions may not apply to you.

This limited warranty gives you specific legal rights and you may also have others rights which vary from state to state. If a problem with this product develops during or after the warranty period, you may contact your dealer or Service Center. If the problem is not handled to your satisfaction, then write to the warrantor's Consumer Affairs Department at the addresses listed for the warrantor.

**PARTS AND SERVICE WHICH ARE NOT COVERED BY THIS LIMITED WARRANTY ARE YOUR RESPONSIBILITY.**

To obtain service or technical assistance within the USA:

**DIAL TOLL FREE: 1-800-272-7033**

## Customer services

Obtain Product Information and Operating Assistance; locate your nearest Dealer or Service Center; purchase Parts and Accessories; or make Customer Service and Literature requests by visiting our Web Site at:

***<http://www.panasonic.com/consumersupport>***

or, contact us via the web at:

***<http://www.panasonic.com/contactinfo>***

You may also contact us directly at: 1-800-272-7033,  
Monday-Friday 9 am-9 pm; Saturday-Sunday 10 am-7 pm, EST.

TTY users (hearing or speech impaired users) can call 1-877-833-8855.

## Accessory purchases

Purchase Parts, Accessories and Instruction Books online for all Panasonic Products by visiting our Web Site at:

***<http://www.pasc.panasonic.com>***

or, send your request by E-mail to:

***[npcparts@us.panasonic.com](mailto:npcparts@us.panasonic.com)***

You may also contact us directly at:

1-800-332-5368 (Phone) 1-800-237-9080 (Fax Only)  
(Monday - Friday 9 am to 9 pm, EST.)

Panasonic Services Company

20421 84th Avenue South, Kent, WA 98032

(We Accept Visa, MasterCard, Discover Card, American Express, and Personal Checks)

TTY users (hearing or speech impaired users) can call 1-866-605-1277.

## Service in Puerto Rico

Panasonic Puerto Rico, Inc.

San Gabriel Industrial Park, Ave. 65 de Infantería, Km. 9.5,  
Carolina, Puerto Rico 00985

Phone (787)750-4300, Fax (787)768-2910

---

## Notes

---

## Notes

### For product service

- Panasonic Service Centers are listed in the service center directory.
- Call 1-800-272-7033 for the location of an authorized service center.
- This product is designed for use in the United States of America.

Sale or use of this product in other countries/areas may violate local laws.

### When you ship the product

- Carefully pack your unit, preferably in the original carton.
- Attach a letter, detailing the symptom, to the outside of the carton.

Symptom \_\_\_\_\_  
\_\_\_\_\_

- Send the unit to an authorized service center, prepaid and adequately insured.
- Do not send your unit to the Panasonic Consumer Electronics Company listed below or to executive or regional sales offices. These locations do not repair consumer products.

The information in this document is subject to change without notice.

#### **Panasonic Consumer Electronics Company, Division of Panasonic Corporation of North America**

One Panasonic Way, Secaucus, New Jersey 07094

#### **Panasonic Puerto Rico, Inc.**

San Gabriel Industrial Park, Ave. 65 de Infantería, Km. 9.5,  
Carolina, Puerto Rico 00985

#### **Copyright:**

This material is copyrighted by Panasonic Communications Co., Ltd., and may be reproduced for internal use only. All other reproduction, in whole or in part, is prohibited without the written consent of Panasonic Communications Co., Ltd.

© Panasonic Communications Co., Ltd. 2008



\*PA300KTA\*

**PNQX1295YA** KK0508MJ1088

Download from [Www.Somanuals.com](http://Www.Somanuals.com). All Manuals Search And Download.



## Free Manuals Download Website

<http://myh66.com>

<http://usermanuals.us>

<http://www.somanuals.com>

<http://www.4manuals.cc>

<http://www.manual-lib.com>

<http://www.404manual.com>

<http://www.luxmanual.com>

<http://aubethermostatmanual.com>

Golf course search by state

<http://golfingnear.com>

Email search by domain

<http://emailbydomain.com>

Auto manuals search

<http://auto.somanuals.com>

TV manuals search

<http://tv.somanuals.com>