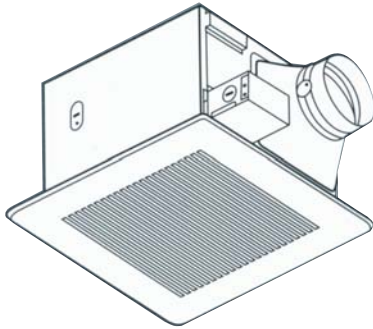


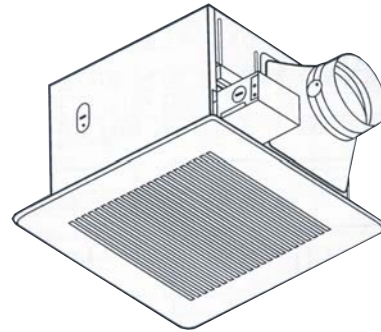
Service Manual

Ceiling Mount Ventilating Fan
WhisperCeiling™
(North American Market)

FV-05/08/11VQ3, FV-15VQ4



Version A



Version B

SPECIFICATIONS

Model No.	Air direction	V	Hz	Duct diameter (inches)	Noise (sones)	Power consumption (W)	Speed (rpm)	Air deliver at 0.1"WG (cfm)	Weight lb.(kg)
FV-05VQ3	Exhaust	120	60	4	<0.3	13.0	820	50	11.7(5.3)
FV-08VQ3				4	0.3	23.0	730	80	12.6(5.7)
FV-11VQ3				4	0.8	31.0	810	110	13.0(5.9)
FV-15VQ4				6	0.6	32.0	670	150	14.1(6.4)

Specifications are based on HVI standard.

⚠ WARNING

This service information is designed for experienced repair technicians only and is not designed for use by the general public. It does not contain warnings or cautions to advise non-technical individuals of potential dangers in attempting to service a product. Products powered by electricity should be serviced or repaired only by experienced professional technicians. Any attempt to service or repair the product or products dealt with in this service information by anyone else could result in serious injury or death.

IMPORTANT SAFETY NOTICE

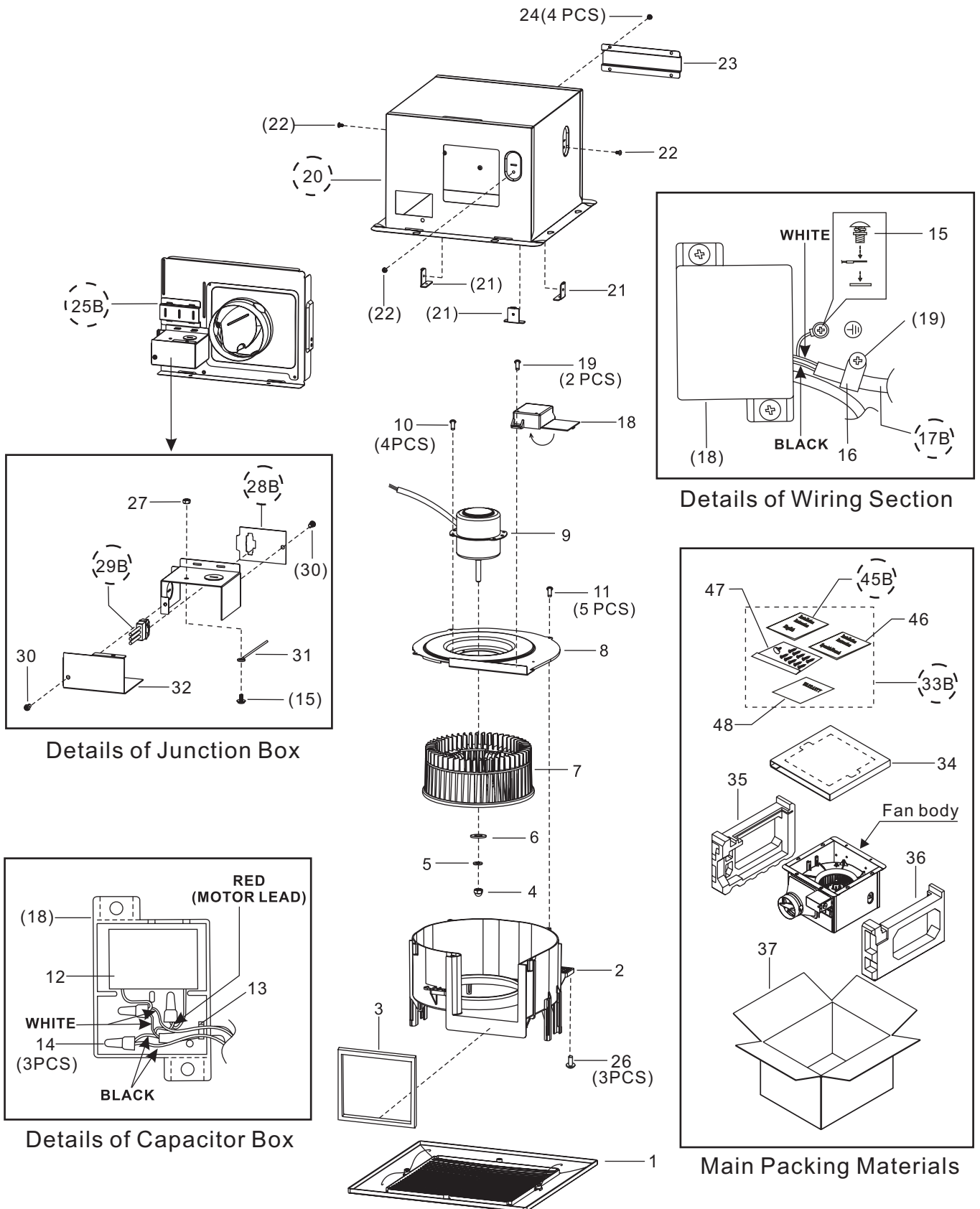
There are special components used in this equipment which are important for safety. These parts are marked by ⚠ in the Schematic Diagrams, Exploded Views and Replacement Parts List. It is essential that these critical parts should be replaced with manufacturer's specified parts to prevent shock, fire or other hazards. Do not modify the original design without permission of manufacture.

CONTENTS

	PAGE
1. Parts Identification	1~12
2. Wiring Diagram	13
3. Parts List	14~19

1. Parts Identification

FV-05VQ3

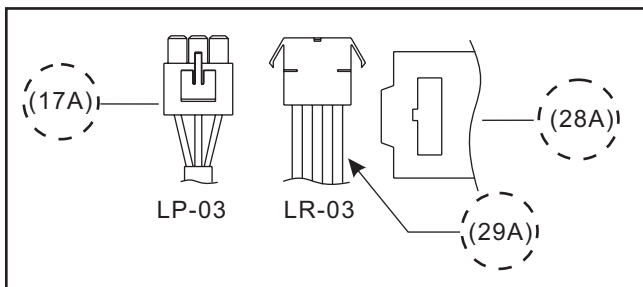
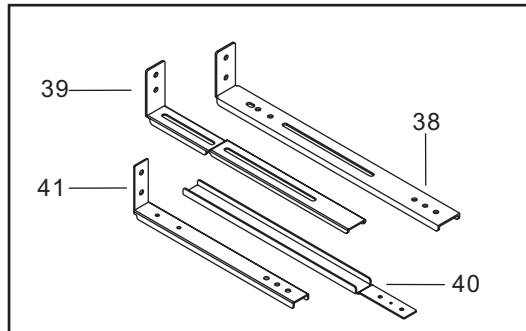


Remark: Because of different structure, we divide this model into Version A & Version B. In Version A, we also divide into Style A & Style B. The change points are mainly refer to the installation method and the cord section, please pay attention to the parts which circled with broken line, you can refer to the following 3 pages for details.

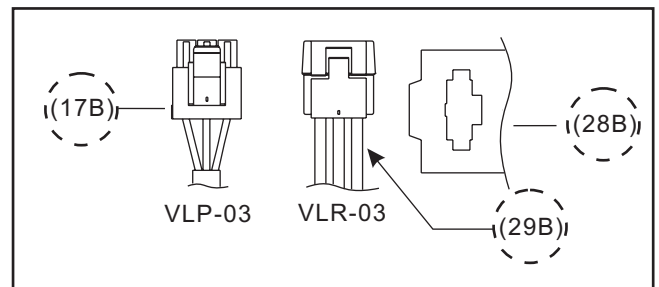
1. Parts Identification

FV-05VQ3

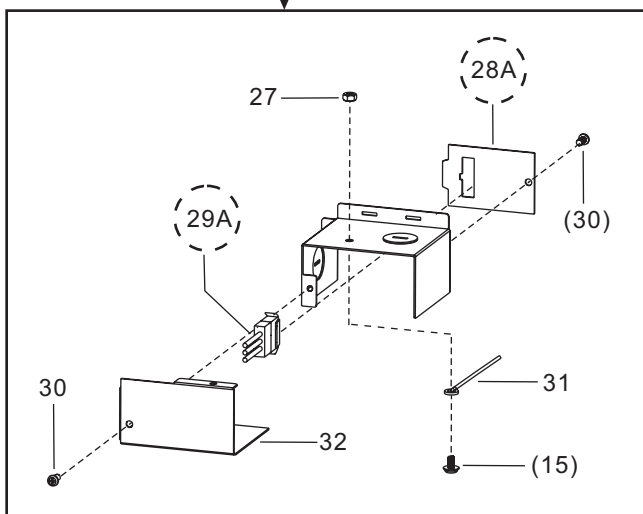
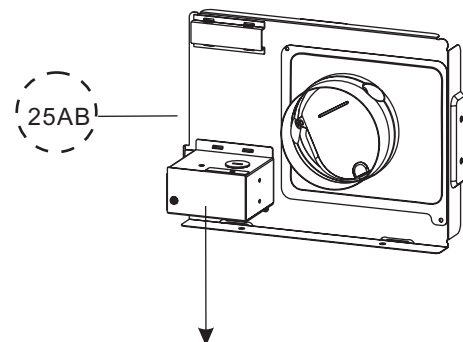
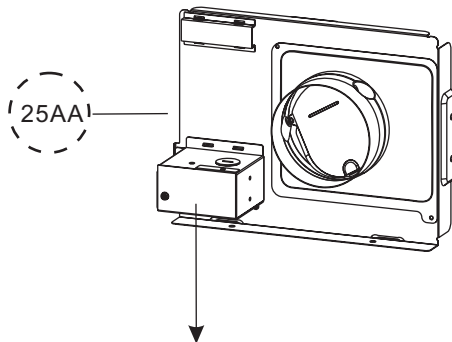
Parts For Version A



Details of Connector Cord

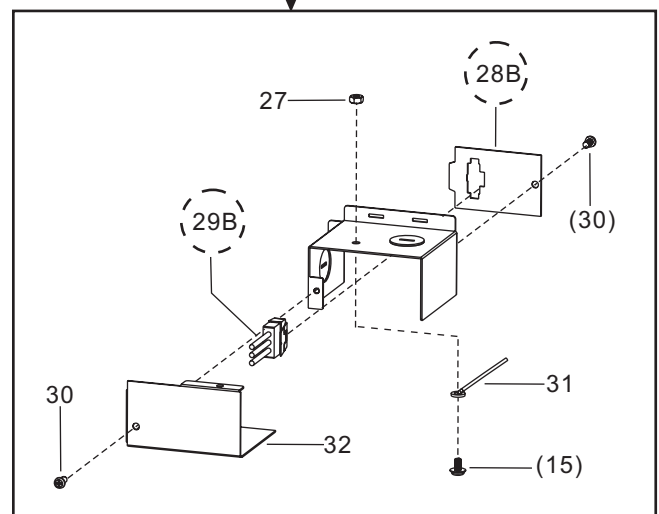


Details of Connector Cord



Details of Junction Box

Style A



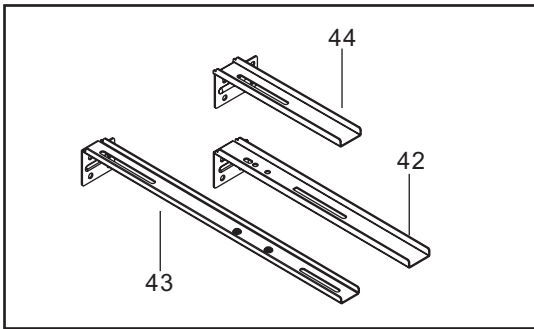
Details of Junction Box

Style B

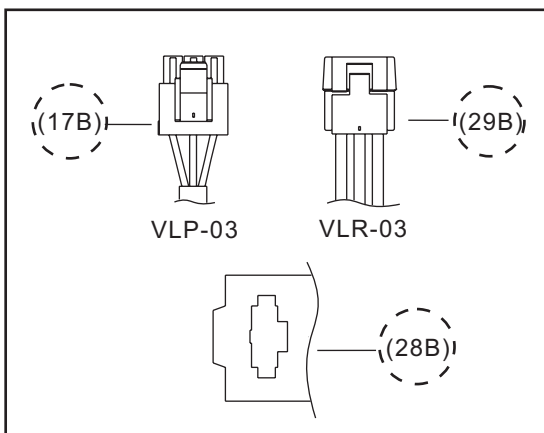
1. Parts Identification

FV-05VQ3

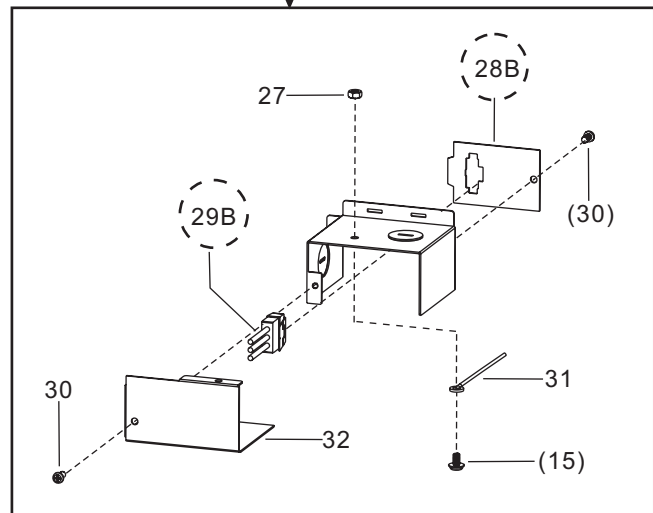
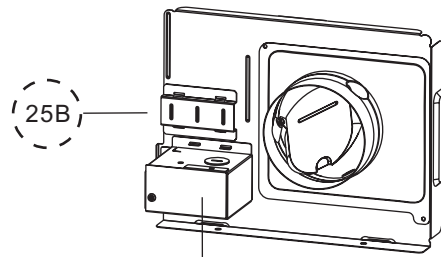
Parts For Version B



Installation Attachment



Details of Connector Cord



Details of Junction Box

List For Parts Differentiation

Part name	Style A of Version A	Style B of Version A	Version B
Cord	17A	17B	17B
Frame Assy.	20	20	20
Adapter Assy.	25AA	25AB	25B
Connector Plate	28A	28B	28B
Connector Assy.	29A	29B	29B
Accessory Set	33A	33A	33B
Installation Instruction	45A	45A	45B

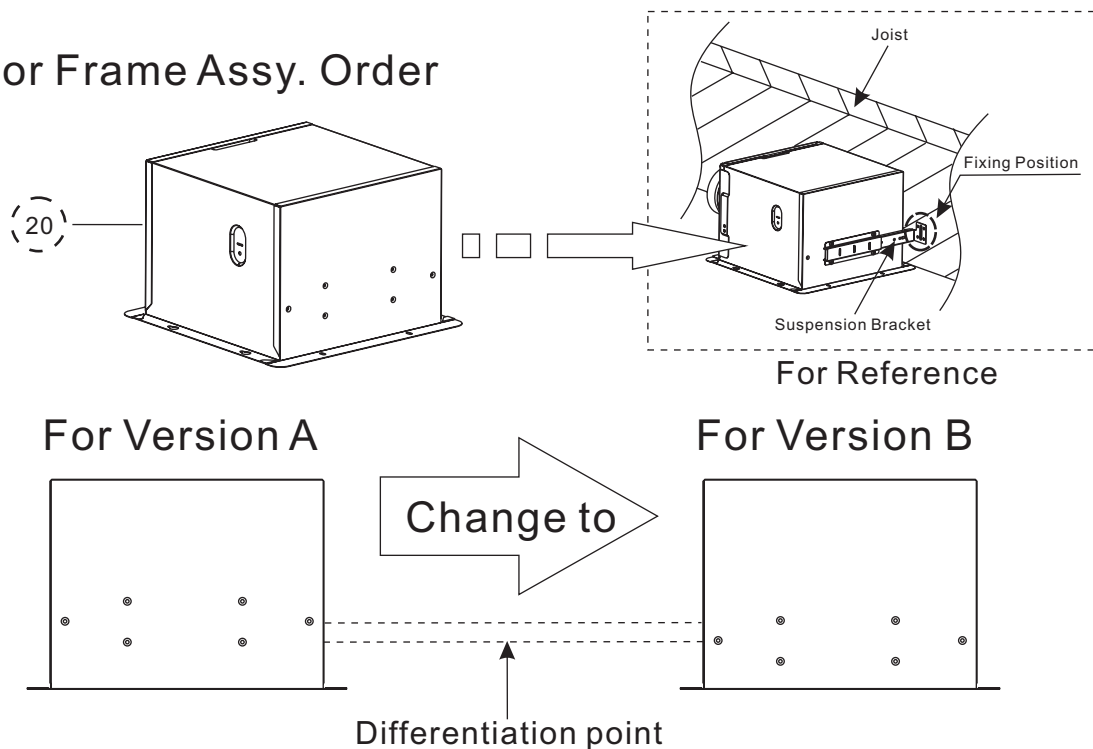
Remarks: For your convenience, we list the differentiation parts above, when you need to order these parts, please judge which version or style is adapt to your machine first. Especially, if you need to order the Frame Assy. or Adapter Assy., please refer to the following 1 page for details.

1. Parts Identification

FV-05VQ3

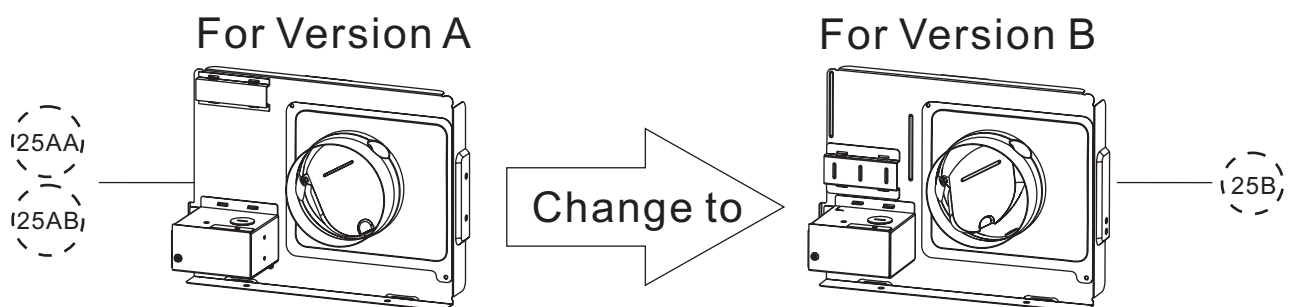
Attention:

Guide For Frame Assy. Order



Notice: The Frame Assy. has been upgraded to Version B, therefore, we can provide the Version B part at present, If this part in your machine belongs to Version A, when you receive the Version B part, in order to install successfully, you only need to re-adjust the fixing position of the Suspension Bracket.

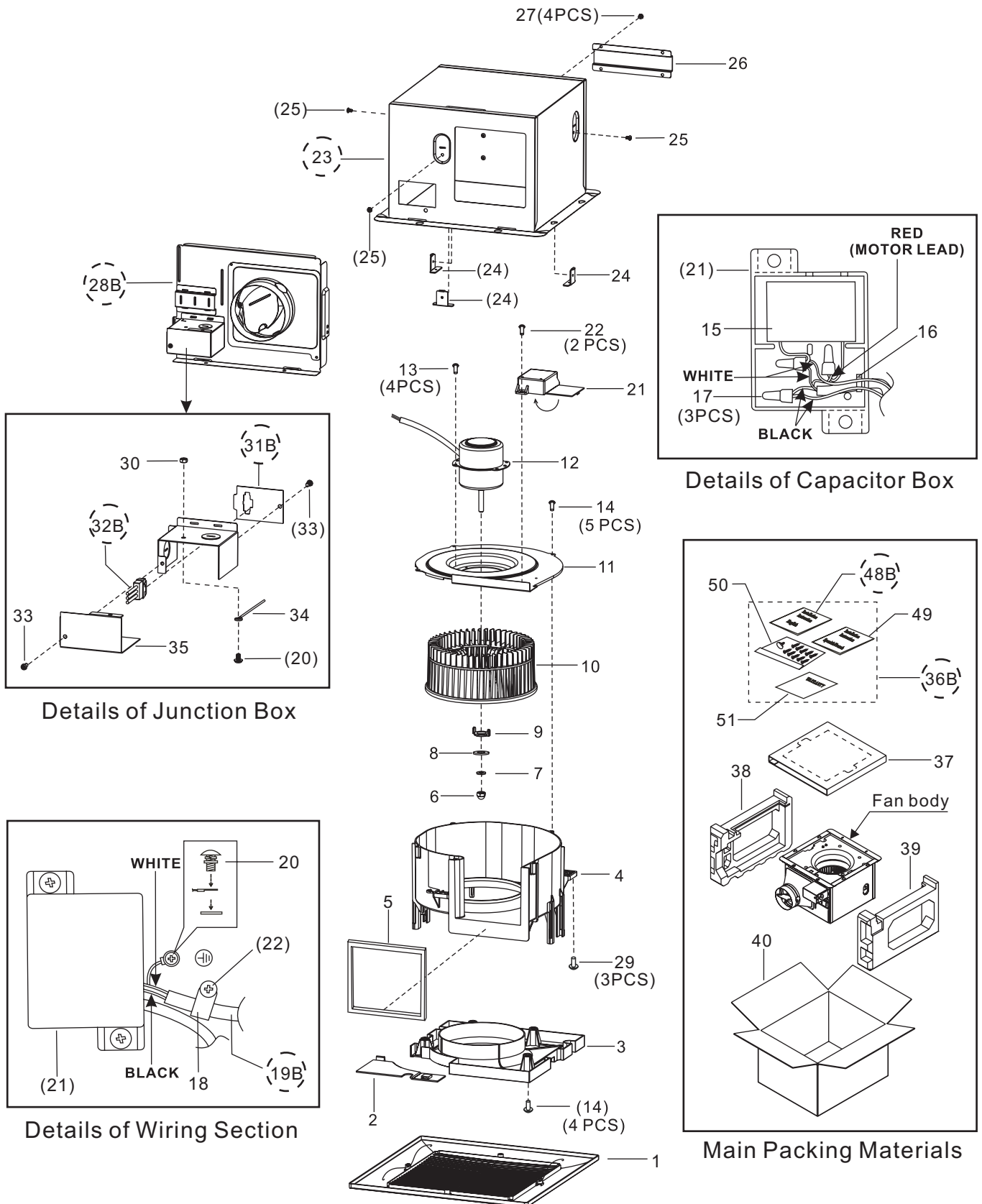
Guide For Adapter Assy. Order



- Notice:
1. In order to adapt the market demand, the Adapter Assy. has been upgraded to Version B, therefore, the Version A part will be provided no longer.
 2. If this part in your machine belongs to Version B, you can order the item 25B (Part No.:FFV0000029S) directly.
 3. If this part in your machine belongs to Version A, you can order the item 25AA (Part No.:FFV0000018S), or item 25AB (Part No.:FFV0000044S) as usual, then we will not only provide the Version B part, but also provide a set of installation parts to you, those installation parts will be offered free. However, to finish this conversion, you need to re-adjust the installation method.

1. Parts Identification

FV-08/11VQ3

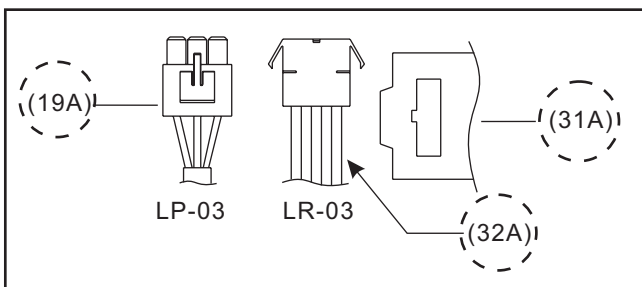
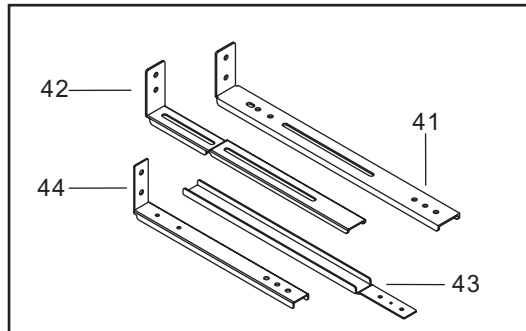


Remark: Because of different structure, we divide this model into Version A & Version B. In Version A, we also divide into Style A & Style B. The change points are mainly refer to the installation method and the cord section, please pay attention to the parts which circled with broken line, you can refer to the following 3 pages for details.

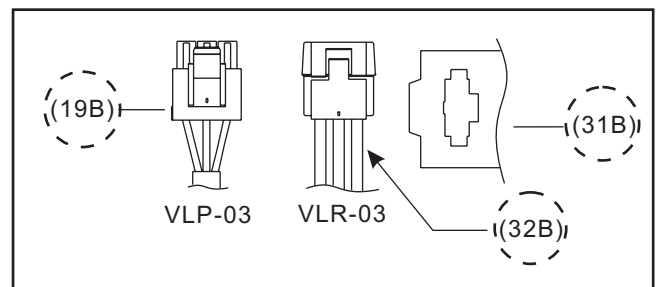
1. Parts Identification

FV-08/11VQ3

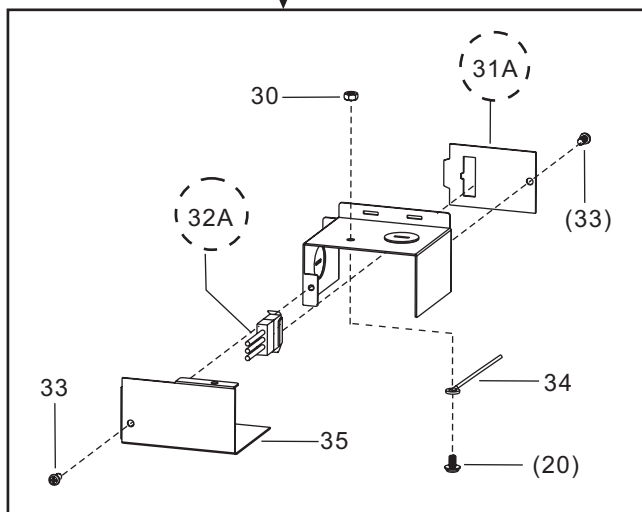
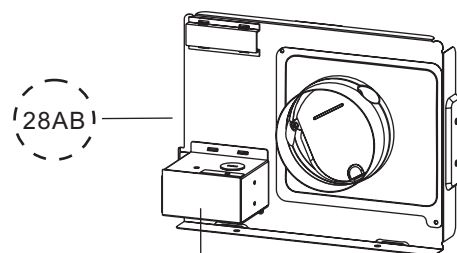
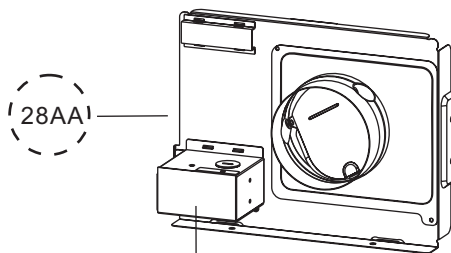
Parts For Version A



Details of Connector Cord

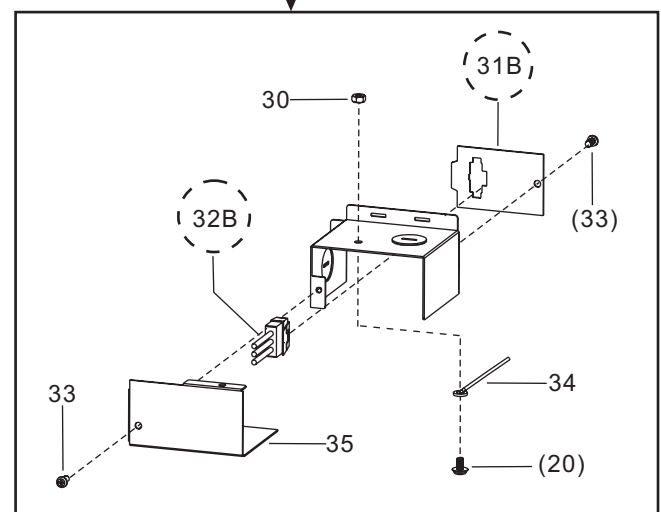


Details of Connector Cord



Details of Junction Box

Style A



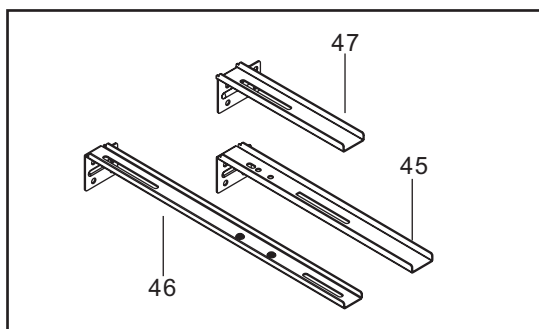
Details of Junction Box

Style B

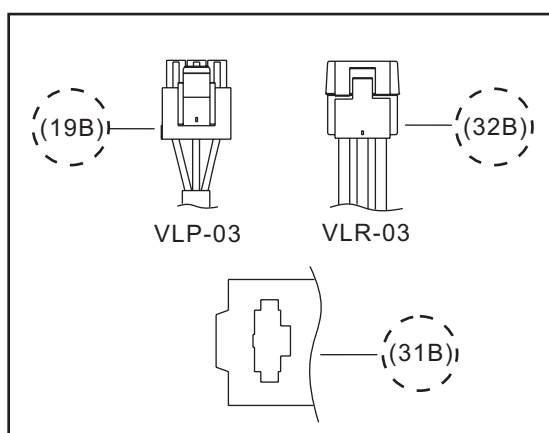
1. Parts Identification

FV-08/11VQ3

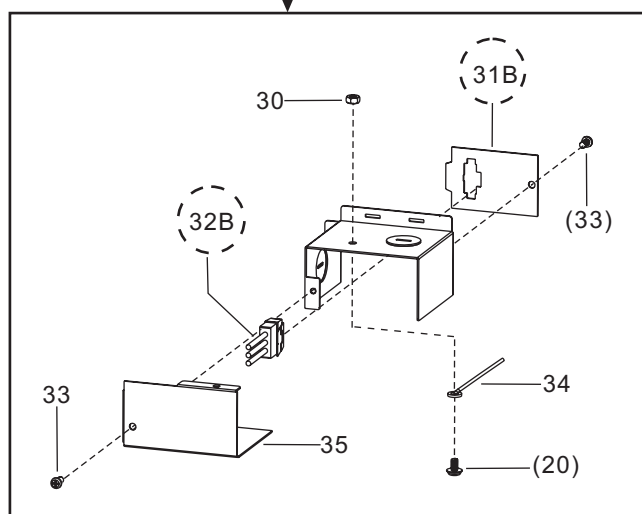
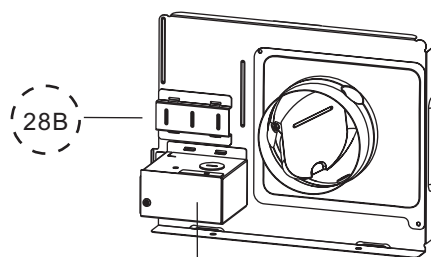
Parts For Version B



Installation Attachment



Details of Connector Cord



Details of Junction Box

List For Parts Differentiation

Part name	Style A of Version A	Style B of Version A	Version B
Cord	19A	19B	19B
Frame Assy.	23	23	23
Adapter Assy.	28AA	28AB	28B
Connector Plate	31A	31B	31B
Connector Assy.	32A	32B	32B
Accessory Set	36A	36A	36B
Installation Instruction	48A	48A	48B

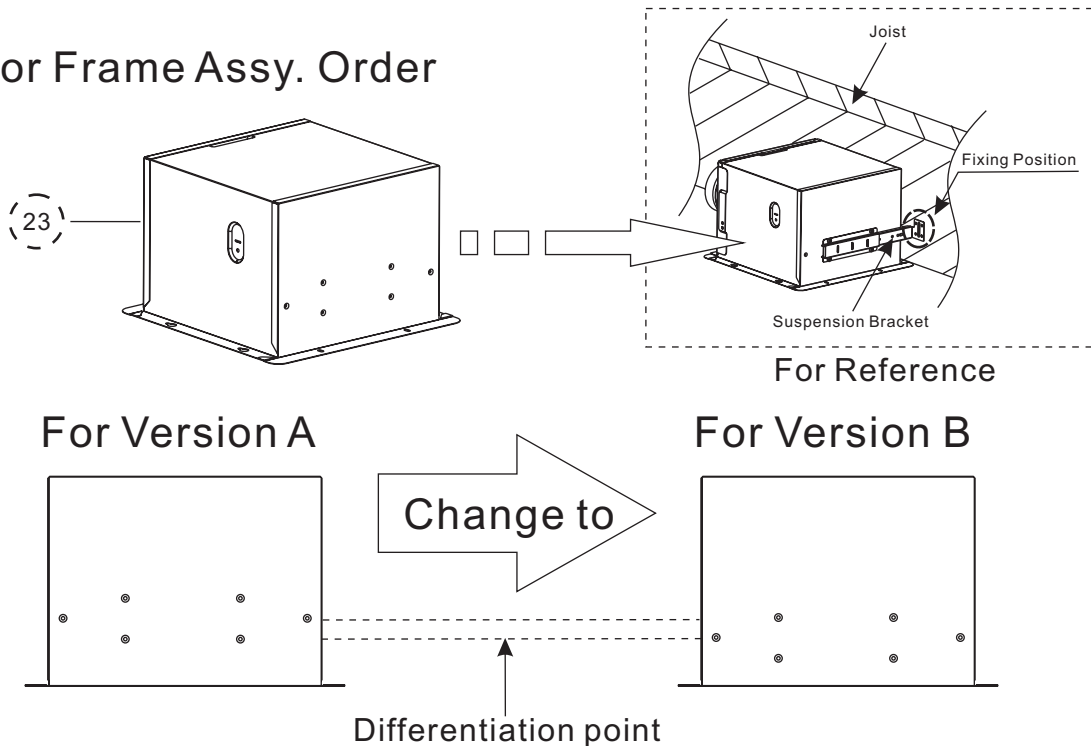
Remarks: For your convenience, we list the differentiation parts above, when you need to order these parts, please judge which version or style is adapt to your machine first. Especially, if you need to order the Frame Assy. or Adapter Assy., please refer to the following 1 page for details.

1. Parts Identification

FV-08/11VQ3

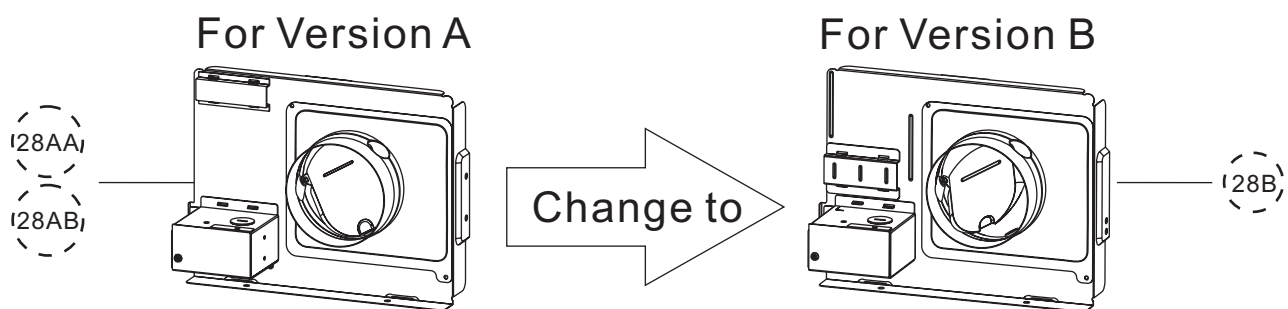
Attention:

Guide For Frame Assy. Order



Notice: The Frame Assy. has been upgraded to Version B, therefore, we can provide the Version B part at present, If this part in your machine belongs to Version A, when you receive the Version B part, in order to install successfully, you only need to re-adjust the fixing position of the Suspension Bracket.

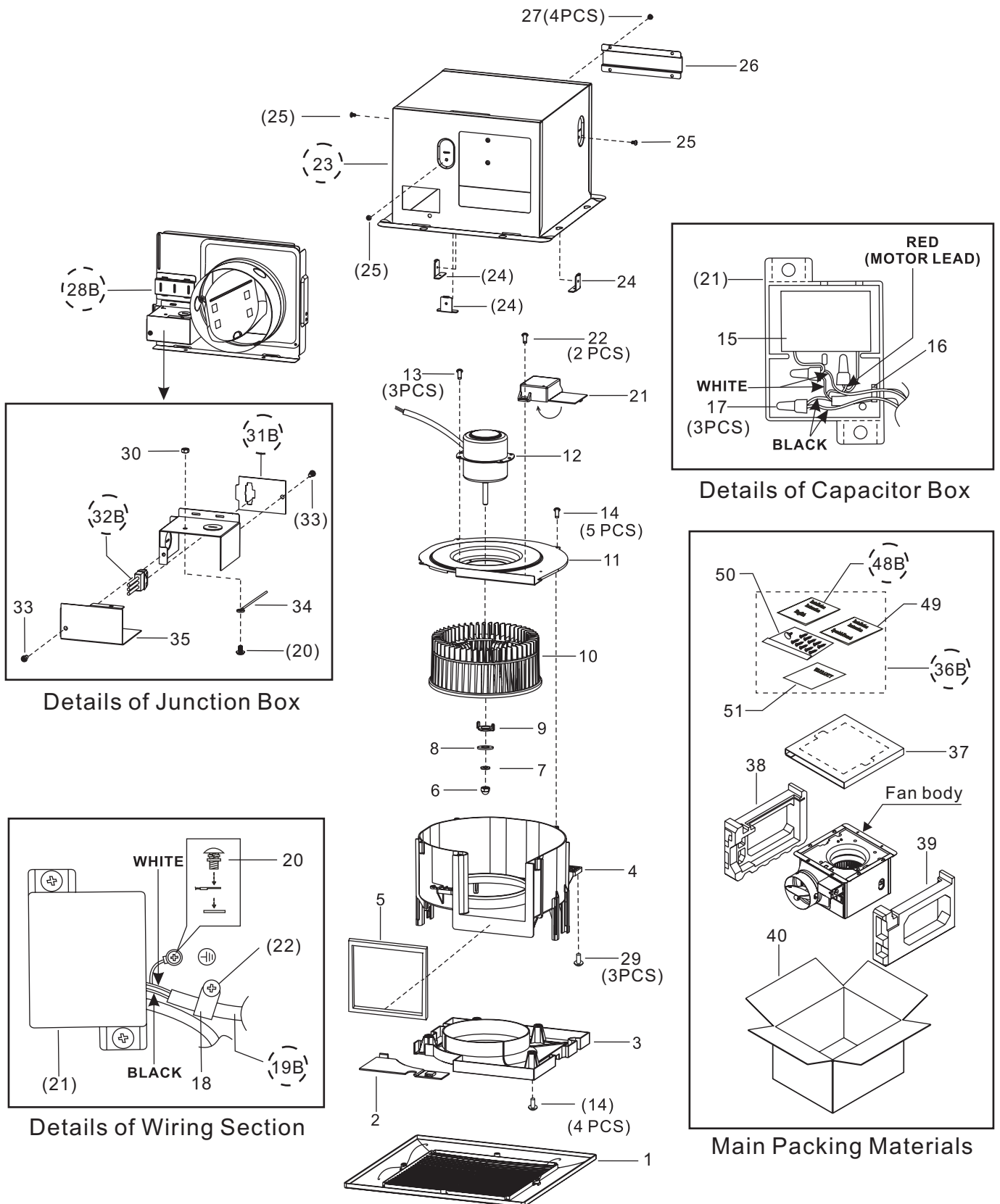
Guide For Adapter Assy. Order



Notice: 1. In order to adapt the market demand, the Adapter Assy. has been upgraded to Version B, therefore, the Version A part will be provided no longer.
2. If this part in your machine belongs to Version B, you can order the item 28B (Part No.:FFV0000030S) directly.
3. If this part in your machine belongs to Version A, you can order the item 28AA (Part No.:FFV0000019S), or item 28AB (Part No.:FFV0000043S) as usual, then we will not only provide the Version B part, but also provide a set of installation parts to you, those installation parts will be offered free. However, to finish this conversion, you need to re-adjust the installation method.

1. Parts Identification

FV-15VQ4

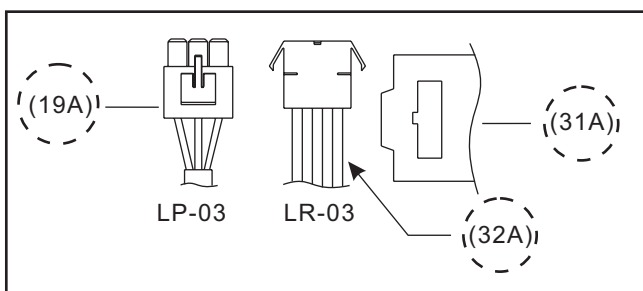
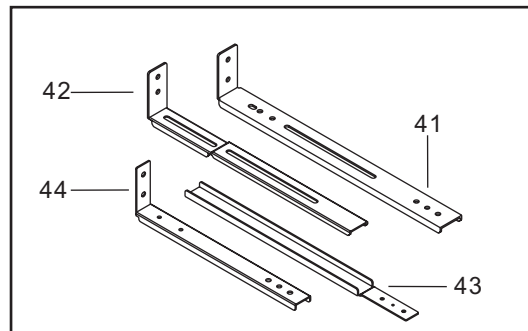


Remark: Because of different structure, we divide this model into Version A & Version B. In Version A, we also divide into Style A & Style B. The change points are mainly refer to the installation method and the cord section, please pay attention to the parts which circled with broken line, you can refer to the following 3 pages for details.

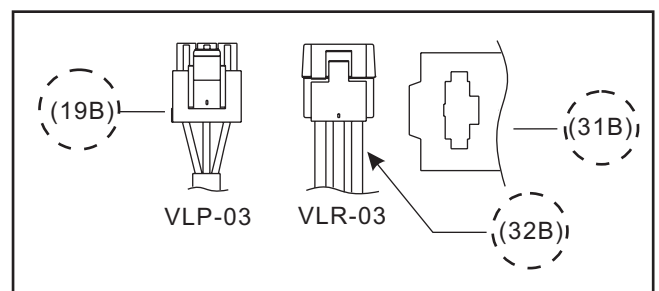
1. Parts Identification

FV-15VQ4

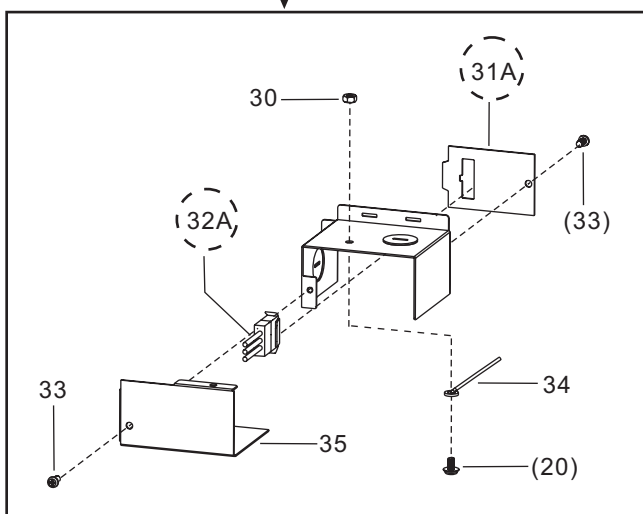
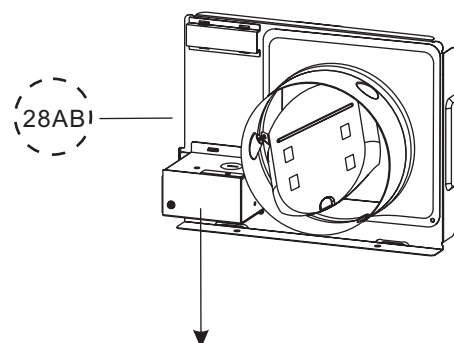
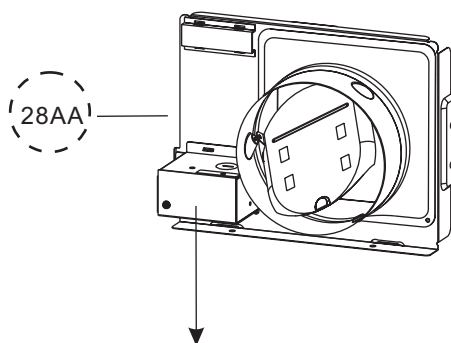
Parts For Version A



Details of Connector Cord

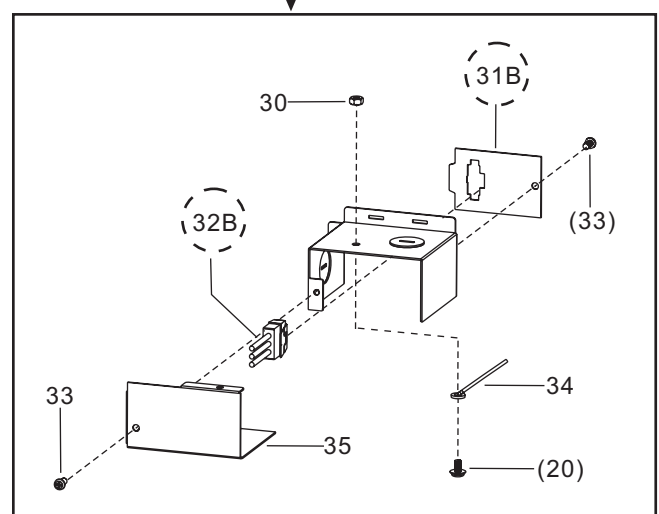


Details of Connector Cord



Details of Junction Box

Style A



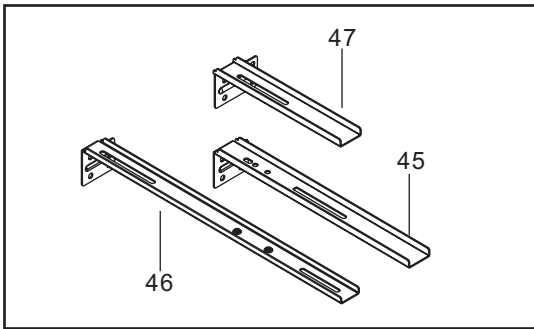
Details of Junction Box

Style B

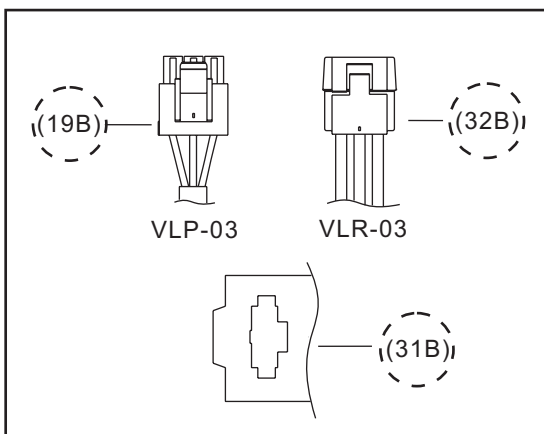
1. Parts Identification

FV-15VQ4

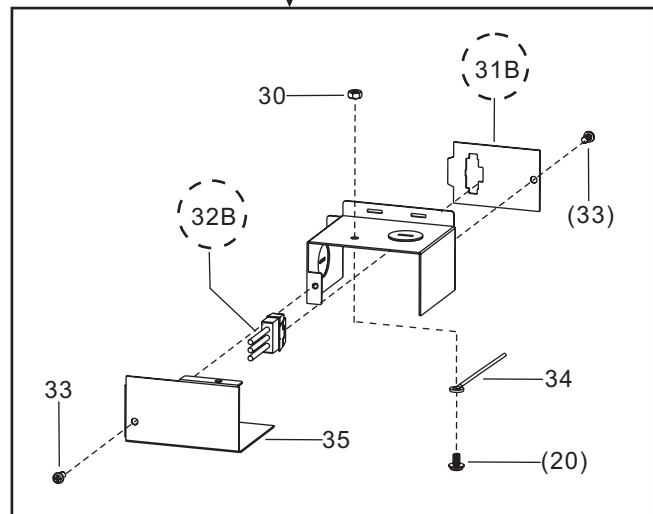
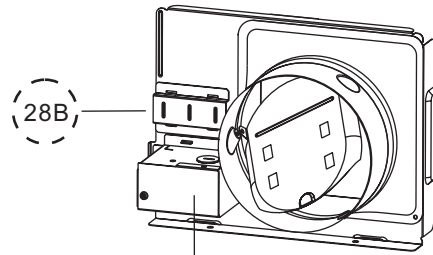
Parts For Version B



Installation Attachment



Details of Connector Cord



Details of Junction Box

List For Parts Differentiation

Part name	Style A of Version A	Style B of Version A	Version B
Cord	19A	19B	19B
Frame Assy.	23	23	23
Adapter Assy.	28AA	28AB	28B
Connector Plate	31A	31B	31B
Connector Assy.	32A	32B	32B
Accessory Set	36A	36A	36B
Installation Instruction	48A	48A	48B

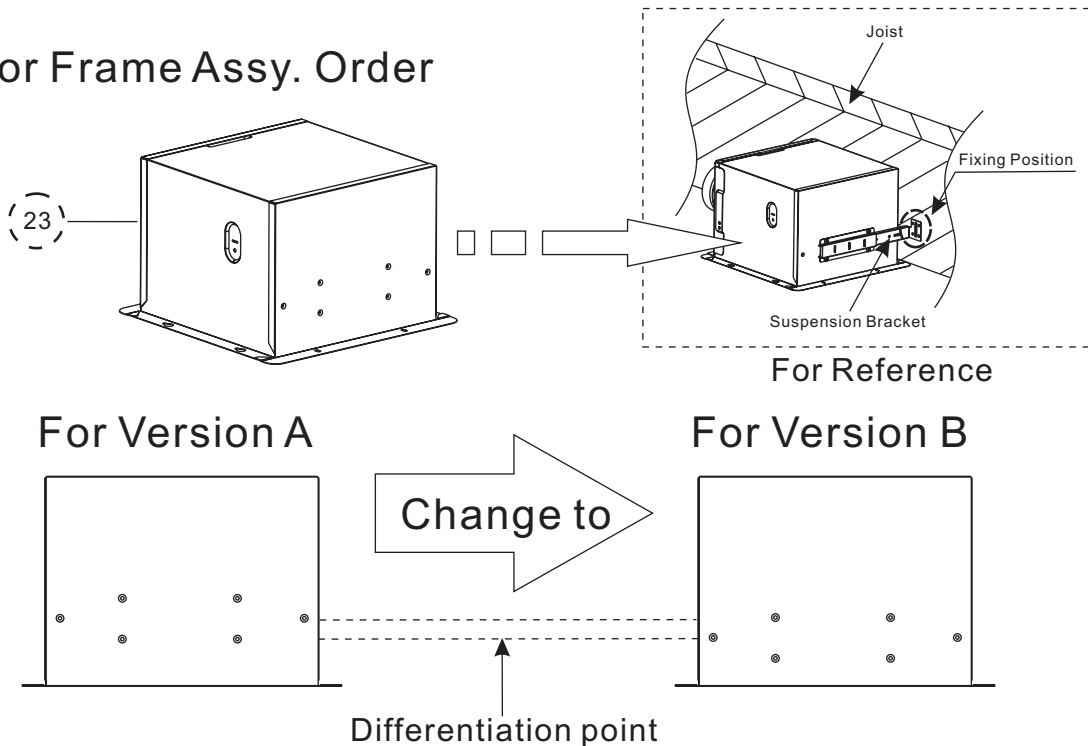
Remarks: For your convenience, we list the differentiation parts above, when you need to order these parts, please judge which version or style is adapt to your machine first. Especially, if you need to order the Frame Assy. or Adapter Assy., please refer to the following 1 page for details.

1. Parts Identification

FV-15VQ4

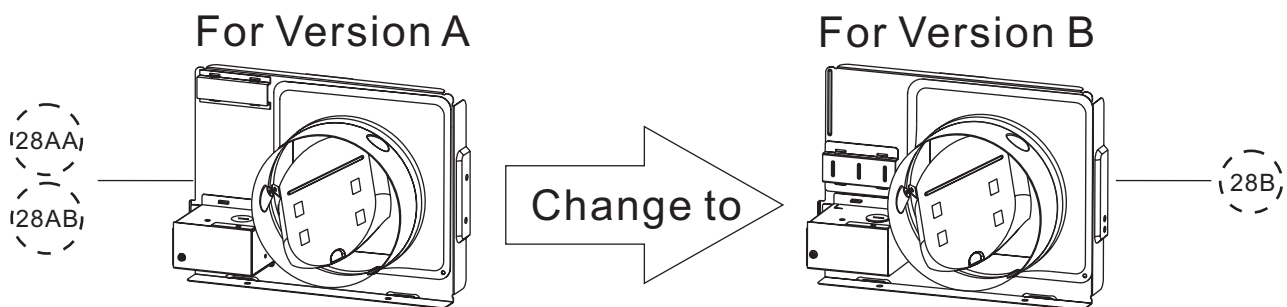
Attention:

Guide For Frame Assy. Order



Notice: The Frame Assy. has been upgraded to Version B, therefore, we can provide the Version B part at present, If this part in your machine belongs to Version A, when you receive the Version B part, in order to install successfully, you only need to re-adjust the fixing position of the Suspension Bracket.

Guide For Adapter Assy. Order

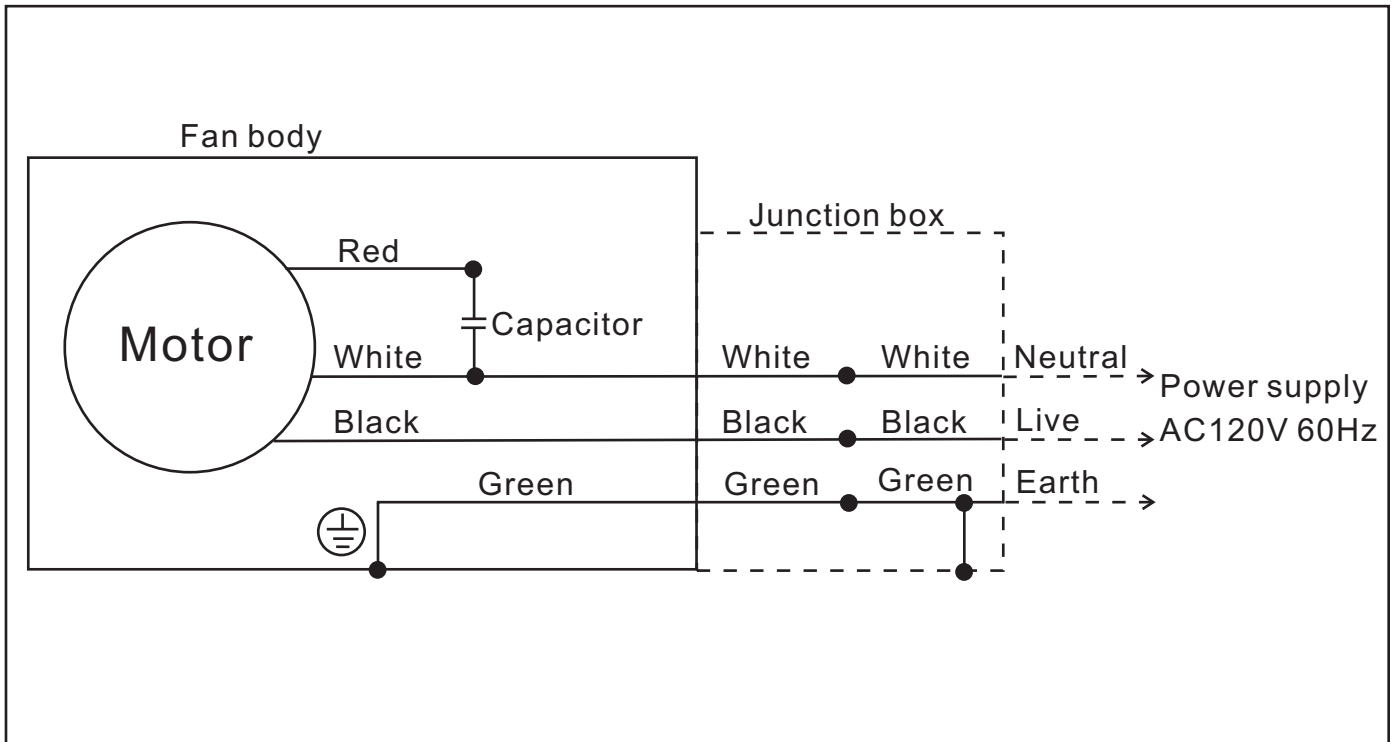


Notice: 1. In order to adapt the market demand, the Adapter Assy. has been upgraded to Version B, therefore, the Version A part will be provided no longer.
2. If this part in your machine belongs to Version B, you can order the item 28B (Part No.:FFV0000031S) directly.
3. If this part in your machine belongs to Version A, you can order the item 28AA (Part No.:FFV0000022S), or item 28AB (Part No.:FFV0000042S) as usual, then we will not only provide the Version B part, but also provide a set of installation parts to you, those installation parts will be offered free. However, to finish this conversion, you need to re-adjust the installation method.

2. Wiring Diagram










FV-05/08/11VQ3

FV-15VQ4



3. Parts List

FV-05VQ3

No.	Part No.	Part Name	Q'ty	Remark
1	FFV3402111S	Grille Assy.	1	
2	FFV0790024S	Casing	1	
3	FFV4610033S	Sponge	1	For Casing and Motor Support
4	FFV7020016S	Domed Cap Nut	1	For Blade
5	FFV7010003S	Spring Washer	1	For Blade
6	FFV7010012S	Plain Washer	1	For Blade
7	FFV0400060S	Blade	1	
8	FFV3730013S	Motor Support	1	
9	FFV3700178S	Motor Assy.	1	120V 60Hz 
10	FFV7000025S	Screw	4	For Fixing Motor Assy. to Motor Support
11	FFV7000106S	Truss Pc Screw	5	For Fixing Motor Support to Casing
12	FFV0750105S	Capacitor	1	250V 1.5uF 
13	FFV2530001S	Insulock Tie	1	
14	FFV0900024S	Connector	3	
15	FFV7030001S	Earth Wire Screw	2	For Fixing Earth Wire 
16	FFV0740007H	Cord Clip	1	
17A	FFV0730016S	Cord	1	LP-03,For Style A of Version A 
17B	FFV0730020S	Cord	1	VLP-03,For Version B and Style B of Version A 
18	FFV0760028S	Capacitor Box	1	
19	FFV7000009S	Truss Tap Screw(4*8)	3	For Fixing Cord Clip(1pcs) and Capacitor Box(2pcs)
20	FFV1600059S	Frame Assy.	1	
21	FFV0800001S	Casing Support	3	
22	FFV7000064S	Bind Screw(4*6)	3	For Fixing Casing Support to Frame Assy.
23	FFV0420013S	Bracket Cover	1	
24	FFV7000018S	Truss Tap Screw(4*6)	4	For Fixing Bracket Cover to Frame Assy.
25AA	FFV0000018S	Adapter Assy.	1	Adapt to the Style A of Version A
25AB	FFV0000044S	Adapter Assy.	1	Adapt to the Style B of Version A
25B	FFV0000029S	Adapter Assy.	1	For Version B
26	FFV7000065S	Bind Screw(4*12)	3	For Fixing Casing to Casing Support
27	FFV7020015S	Hexagon Nut	1	For Earth
28A	FFV0900008S	Connector Plate	1	For Style A of Version A
28B	FFV0900012S	Connector Plate	1	For Version B and Style B of Version A
29A	FFV0900002S	Connector Assy.	1	LR-03,For Style A of Version A 
29B	FFV0900013S	Connector Assy.	1	VLR-03,For Version B and Style B of Version A 
30	FFV7000091S	Pan Tap Screw	2	For Fixing Connector Plate and Junction Cover
31	FFV3402103S	Lead Wire	1	For Earth 
32	FFV2800004S	Junction Cover	1	
33B	FFV0010151S	Accessory Set	1	For USA Market,Use In Version B
(33B)	FFV0010150S	Accessory Set	1	For CA Market,Use In Version B
34	FFV4710210S	Grille Pad Assy.	1	For Grille Assy. Packing











3. Parts List

FV-05VQ3

No.	Part No.	Part Name	Q'ty	Remark
35	FFV4710203S	Left Pad	1	Mark With"L"
36	FFV4710204S	Right Pad	1	Mark With"R"
37	FFV9000540S	Packing Case Assy.	1	
38	FFV0420021S	Suspension Bracket IV	1	Attachment,Use In Version A
39	FFV5710011S	Suspension Bracket III	1	Attachment,Use In Version A
40	FFV0420015S	Suspension Bracket II	1	Attachment,Use In Version A
41	FFV0420014S	Suspension Bracket I	1	Attachment,Use In Version A
42	FFV5710017S	Suspension Bracket III	1	Attachment,Use In Version B
43	FFV5710018S	Suspension Bracket II	1	Attachment,Use In Version B
44	FFV5710019S	Suspension Bracket I	1	Attachment,Use In Version B
45A	FFV2540008S	Installation Instruction	1	English,Use In Version A
45B	FFV2540009S	Installation Instruction	1	English,Use In Version B
46	FFV2540021S	Installation Instruction	1	Spanish,For USA Market,Use In Version B
(46)	FFV2540030S	Installation Instruction	1	French,For CA Market,Use In Version B
47	FFV0010076S	Accessory A	1	Included Installation Screws
48	FFV6720003S	Warranty Sheet(USA)	1	For USA Market
(48)	FFV6720002S	Warranty Sheet(CA)	1	For CA Market


3. Parts List

FV-08/11VQ3

No.	Part No.	Part Name	Q'ty	Remark
1	FFV3402111S	Grille Assy.	1	
2	FFV4300080S	Orifice Cover	1	
3	FFV4300081S	Orifice	1	
4	FFV0790025S	Casing	1	
5	FFV4610032S	Sponge 1	1	For Casing and Motor Support
6	FFV7020016S	Domed Cap Nut	1	For Blade
7	FFV7010003S	Spring Washer	1	For Blade
8	FFV7010012S	Plain Washer	1	For Blade
9	FFV4670003S	Blade Set Plate	1	For Blade
10	FFV0400061S	Blade	1	
11	FFV3730014S	Motor Support	1	
12	FFV3700175S	Motor Assy.	1	For FV-08VQ3(120V, 60Hz) 
(12)	FFV3700176S	Motor Assy.	1	For FV-11VQ3(120V, 60Hz) 
13	FFV7000025S	Truss Tap Screw	4	For Fixing Motor Assy. to Motor Support
14	FFV7000106S	Truss Pc Screw	9	For Fixing Motor Support(5pcs) and Orifice(4pcs)
15	FFV0750106S	Capacitor	1	For FV-08VQ3(250V 2.2uF) 
(15)	FFV0750107S	Capacitor	1	For FV-11VQ3(250V 3.0uF) 
16	FFV2530001S	Insulock Tie	1	
17	FFV0900024S	Connector	3	
18	FFV0740007H	Cord Clip	1	
19A	FFV0730016S	Cord	1	LP-03,For Style A of Version A 
19B	FFV0730020S	Cord	1	VLP-03,For Version B and Style B of Version A 
20	FFV7030001S	Earth Wire Screw	2	For Fixing Earth Wire 
21	FFV0760028S	Capacitor Box	1	
22	FFV7000009S	Truss Tap Screw(4*8)	3	For Fixing Cord Clip(1pcs) and Capacitor Box(2pcs)
23	FFV1600060S	Frame Assy.	1	
24	FFV0800001S	Casing Support	3	
25	FFV7000064S	Bind Screw(4*6)	3	For Fixing Casing Support to Frame Assy.
26	FFV0420013S	Bracket Cover	1	
27	FFV7000018S	Truss Tap Screw	4	For Fixing Bracket Cover to Frame Assy.
28AA	FFV0000019S	Adapter Assy.	1	Adapt to the Style A of Version A
28AB	FFV0000043S	Adapter Assy.	1	Adapt to the Style B of Version A
28B	FFV0000030S	Adapter Assy.	1	For Version B
29	FFV7000065S	Bind Screw(4*12)	3	For Fixing Casing to Casing Support
30	FFV7020015S	Hexagon Nut	1	For Earth
31A	FFV0900008S	Connector Plate	1	For Style A of Version A
31B	FFV0900012S	Connector Plate	1	For Version B and Style B of Version A
32A	FFV0900002S	Connector Assy.	1	LR-03,For Style A of Version A 
32B	FFV0900013S	Connector Assy.	1	VLR-03,For Version B and Style B of Version A 
33	FFV7000091S	Pan Tap Screw	2	For Fixing Connector Plate and Junction Cover










3. Parts List

FV-08/11VQ3

No.	Part No.	Part Name	Q'ty	Remark
34	FFV3402103S	Lead Wire	1	For Earth 
35	FFV2800004S	Junction Cover	1	
36B	FFV0010151S	Accessory Set	1	For USA Market,Use In Version B
(36B)	FFV0010150S	Accessory Set	1	For CA Market,Use In Version B
37	FFV4710034S	Grille Pad Assy.	1	For Grille Assy. Packing
38	FFV4710203S	Left Pad	1	Mark With"L"
39	FFV4710204S	Right Pad	1	Mark With"R"
40	FFV9000141S	Packing Case Assy.	1	For FV-08VQ3
(40)	FFV9000142S	Packing Case Assy.	1	For FV-11VQ3
41	FFV0420021S	Suspension Bracket IV	1	Attachment,Use In Version A
42	FFV5710011S	Suspension Bracket III	1	Attachment,Use In Version A
43	FFV0420015S	Suspension Bracket II	1	Attachment,Use In Version A
44	FFV0420014S	Suspension Bracket I	1	Attachment,Use In Version A
45	FFV5710017S	Suspension Bracket III	1	Attachment,Use In Version B
46	FFV5710018S	Suspension Bracket II	1	Attachment,Use In Version B
47	FFV5710019S	Suspension Bracket I	1	Attachment,Use In Version B
48A	FFV2540008S	Installation Instruction	1	English,Use In Version A
48B	FFV2540009S	Installation Instruction	1	English,Use In Version B
49	FFV2540021S	Installation Instruction	1	Spanish,For USA Market,Use In Version B
(49)	FFV2540030S	Installation Instruction	1	French,For CA Market,Use In Version B
50	FFV0010076S	Accessory A	1	Included Installation Screws
51	FFV6720003S	Warranty Sheet(USA)	1	For USA Market
(51)	FFV6720002S	Warranty Sheet(CA)	1	For CA Market

3. Parts List

FV-15VQ4

No.	Part No.	Part Name	Q'ty	Remark
1	FFV3402111S	Grille Assy.	1	
2	FFV4300080S	Orifice Cover	1	
3	FFV4300082S	Orifice	1	
4	FFV0790026S	Casing	1	
5	FFV4610032S	Sponge 1	1	For Casing and Motor Support
6	FFV7020016S	Domed Cap Nut	1	For Blade
7	FFV7010003S	Spring Washer	1	For Blade
8	FFV7010012S	Plain Washer	1	For Blade
9	FFV4670003S	Blade Set Plate	1	For Blade
10	FFV0400062S	Blade	1	
11	FFV3730015S	Motor Support	1	
12	FFV3700177S	Motor Assy.	1	120V, 60Hz 
13	FFV7000025S	Truss Tap Screw	3	For Fixing Motor Assy. to Motor Support
14	FFV7000106S	Truss Pc Screw	9	For Fixing Motor Support(5pcs) and Orifice(4pcs)
15	FFV0750108S	Capacitor	1	250V 4.0uF 
16	FFV2530001S	Insulock Tie	1	
17	FFV0900024S	Connector	3	
18	FFV0740007H	Cord Clip	1	
19A	FFV0730016S	Cord	1	LP-03,For Style A of Version A 
19B	FFV0730020S	Cord	1	VLP-03,For Version B and Style B of Version A 
20	FFV7030001S	Earth Wire Screw	2	For Fixing Earth Wire 
21	FFV0760028S	Capacitor Box	1	
22	FFV7000009S	Truss Tap Screw(4*8)	3	For Fixing Cord Clip(1pcs) and Capacitor Box(2pcs)
23	FFV1600060S	Frame Assy.	1	
24	FFV0800001S	Casing Support	3	
25	FFV7000064S	Bind Screw(4*6)	3	For Fixing Casing Support to Frame Assy.
26	FFV0420013S	Bracket Cover	1	
27	FFV7000018S	Truss Tap Screw(4*6)	4	For Fixing Bracket Cover to Frame Assy.
28AA	FFV0000022S	Adapter Assy.	1	For Style A of Version A
28AB	FFV0000042S	Adapter Assy.	1	For Style B of Version A
28B	FFV0000031S	Adapter Assy.	1	For Version B
29	FFV7000065S	Bind Screw(4*12)	3	For Fixing Casing to Casing Support
30	FFV7020015S	Hexagon Nut	1	For Earth
31A	FFV0900008S	Connector Plate	1	For Style A of Version A
31B	FFV0900012S	Connector Plate	1	For Version B and Style B of Version A
32A	FFV0900002S	Connector Assy.	1	LR-03,For Style A of Version A 
32B	FFV0900013S	Connector Assy.	1	VLR-03,For Version B and Style B of Version A 
33	FFV7000091S	Pan Tap Screw	2	For Fixing Connector Plate and Junction Cover
34	FFV3402103S	Lead Wire	1	For Earth 
35	FFV2800004S	Junction Cover	1	

3. Parts List

FV-15VQ4

No.	Part No.	Part Name	Q'ty	Remark
36B	FFV0010151S	Accessory Set	1	For USA Market,Use In Version B
(36B)	FFV0010150S	Accessory Set	1	For CA Market,Use In Version B
37	FFV4710034S	Grille Pad Assy.	1	For Grille Assy. Packing
38	FFV4710203S	Left Pad	1	Mark With"L"
39	FFV4710204S	Right Pad	1	Mark With"R"
40	FFV9000143S	Packing Case Assy.	1	
41	FFV0420021S	Suspension Bracket IV	1	Attachment,Use In Version A
42	FFV5710011S	Suspension Bracket III	1	Attachment,Use In Version A
43	FFV0420015S	Suspension Bracket II	1	Attachment,Use In Version A
44	FFV0420014S	Suspension Bracket I	1	Attachment,Use In Version A
45	FFV5710017S	Suspension Bracket III	1	Attachment,Use In Version B
46	FFV5710018S	Suspension Bracket II	1	Attachment,Use In Version B
47	FFV5710019S	Suspension Bracket I	1	Attachment,Use In Version B
48A	FFV2540008S	Installation Instruction	1	English,Use In Version A
48B	FFV2540009S	Installation Instruction	1	English,Use In Version B
49	FFV2540021S	Installation Instruction	1	Spanish,For USA Market,Use In Version B
(49)	FFV2540030S	Installation Instruction	1	French,For CA Market,Use In Version B
50	FFV0010076S	Accessory A	1	Included Installation Screws
51	FFV6720003S	Warranty Sheet(USA)	1	For USA Market
(51)	FFV6720002S	Warranty Sheet(CA)	1	For CA Market

Free Manuals Download Website

<http://myh66.com>

<http://usermanuals.us>

<http://www.somanuals.com>

<http://www.4manuals.cc>

<http://www.manual-lib.com>

<http://www.404manual.com>

<http://www.luxmanual.com>

<http://aubethermostatmanual.com>

Golf course search by state

<http://golfingnear.com>

Email search by domain

<http://emailbydomain.com>

Auto manuals search

<http://auto.somanuals.com>

TV manuals search

<http://tv.somanuals.com>