

## Ceiling Mount Bracket

### Description

This ceiling mount bracket is to be used when mounting DLP™-based projectors to the high ceiling.

### Specifications

Vertical correction angle:	+5°, -17°
Horizontal correction angle:	±2.5°
Dimensions (W x H x D):	509 x 345 x 343 mm (20-1/32" x 13-9/16" x 13-1/2")
Weight:	7.5 kg (16.5 lbs)

Weights and dimensions shown are approximate. Specifications subject to change without notice. Digital Light Processing and DLP are trademarks of Texas Instruments.

### Parts

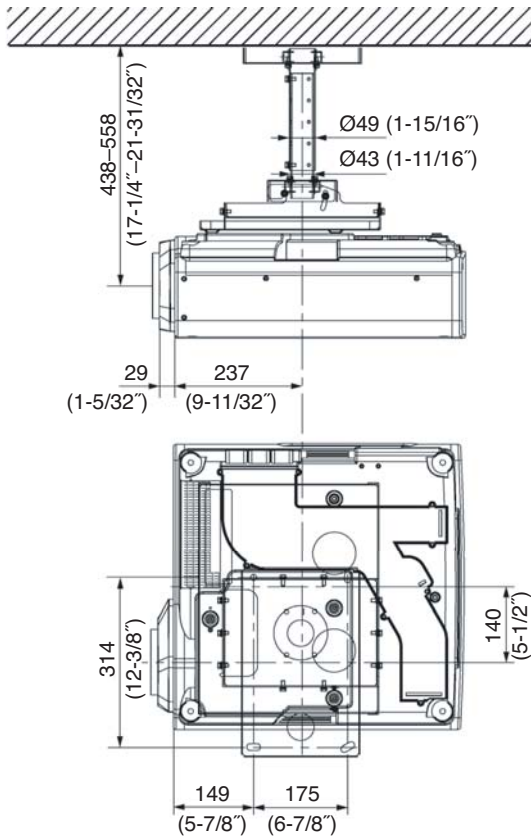
Attachment plate	.....1	Pole fixer	.....1
Angle adjuster	.....1	Safety fitting	.....1
Adjuster pole A	.....1	Washer-fitted screws (M6 x 12)	.....29
Adjuster pole B	.....1	Washer-fitted screws (M4 x 8)	.....4
Projector mount bracket	.....1		

### Caution:

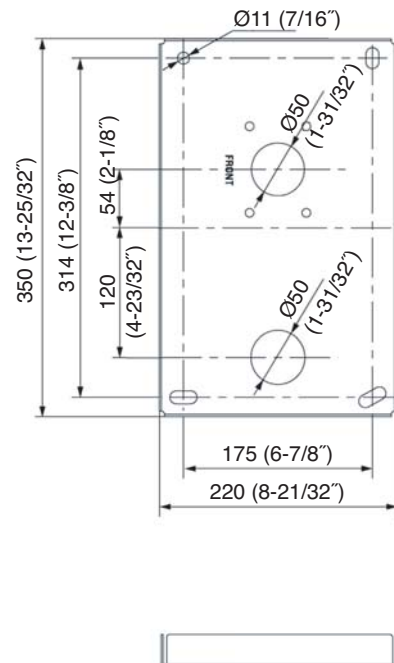
Mounting should be done by a qualified technician. Make sure that the mounting (ceiling) area has sufficient strength. Read the enclosed mounting instructions thoroughly before starting.

### Dimensions

The assembled ET-PKD75 with a projector and the ET-D75LE1 optional lens mounted



Attachment Plate



Note: This illustration is not drawn to scale.

unit: mm (inch)  
(Dimensions given in inches are approximate.)

## Free Manuals Download Website

<http://myh66.com>

<http://usermanuals.us>

<http://www.somanuals.com>

<http://www.4manuals.cc>

<http://www.manual-lib.com>

<http://www.404manual.com>

<http://www.luxmanual.com>

<http://aubethermostatmanual.com>

Golf course search by state

<http://golfingnear.com>

Email search by domain

<http://emailbydomain.com>

Auto manuals search

<http://auto.somanuals.com>

TV manuals search

<http://tv.somanuals.com>