

This zoom lens is designed for use with the DLP™ projector. The lens makes it possible to vary the projection distance by changing the focal distance.

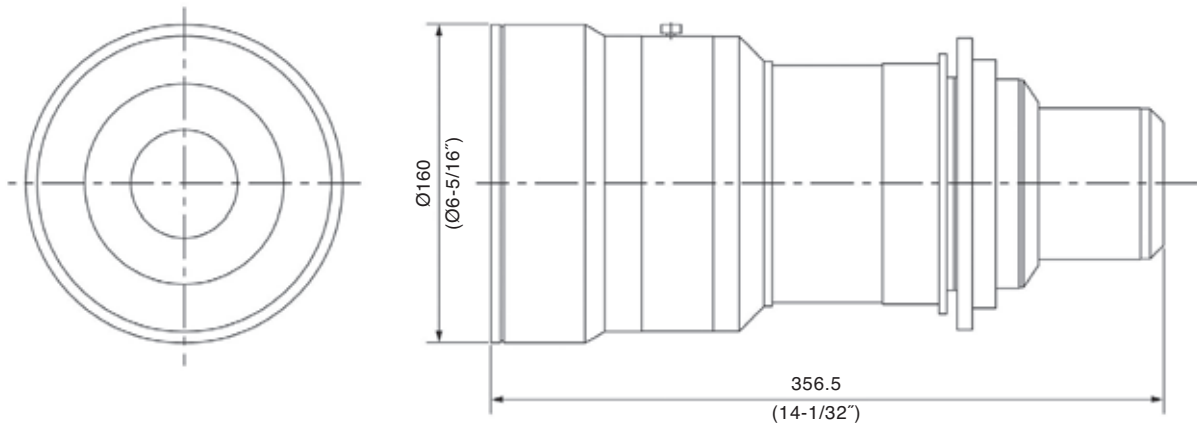
NOTE: Please use the lens only on the specified Panasonic DLP™ projector.

Specifications

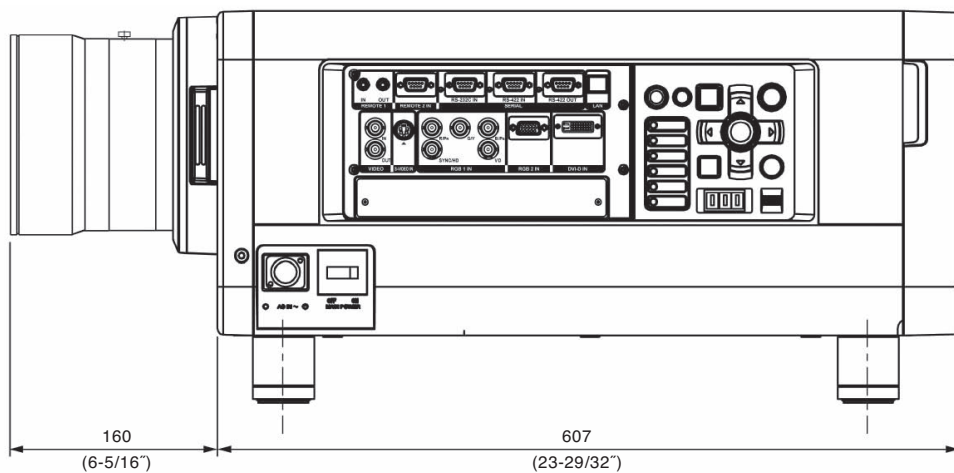
F value:	2.5
Focal distance (f):	19.63 mm–23.54 mm
Dimensions (W x H x D):	160 x 160 x 356.5 mm (6-5/16" x 6-5/16" x 14-1/32")
Weight:	8.7 kg (19.2 lbs)

The throw ratio is an approximate value calculated by dividing the screen width by the projection distance.
DLP and the DLP logo are trademarks of Texas Instruments
Weights and dimensions shown are approximate. Specifications subject to change without notice.

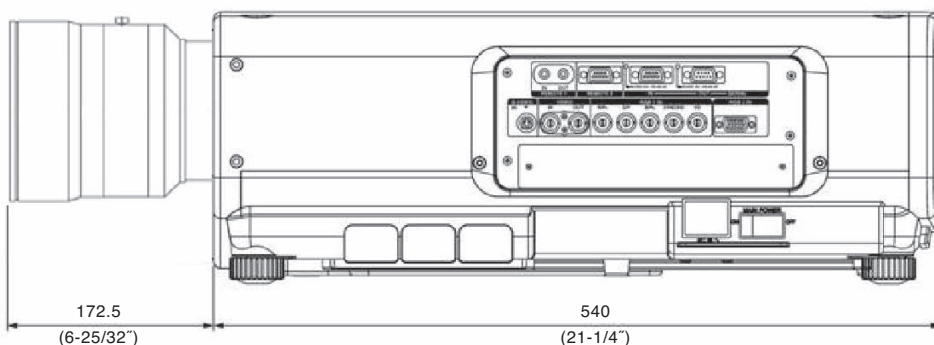
Dimensions



The illustration shows the lens attached to the PT-DW10000/D10000.



The illustration shows the lens attached to the PT-DW7000/D7700.



unit : mm (inch)
NOTE: This illustration is not drawn to scale.

This zoom lens is designed for use with the DLP™ projector. The lens makes it possible to vary the projection distance by changing the focal distance.

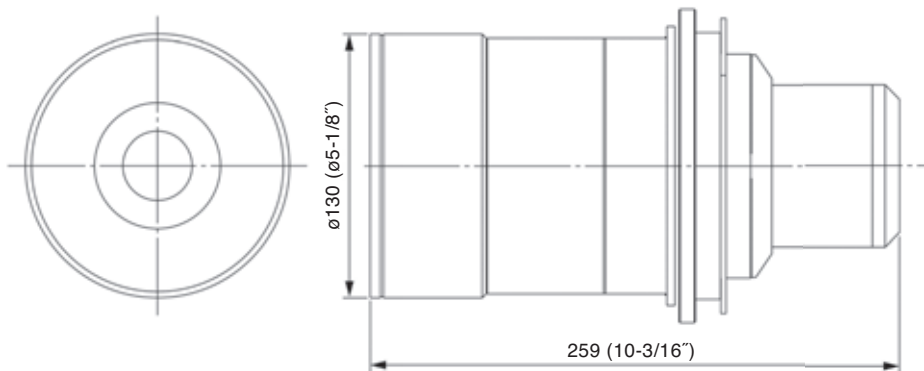
NOTE: Please use the lens only on the specified Panasonic DLP™ projector.

Specifications

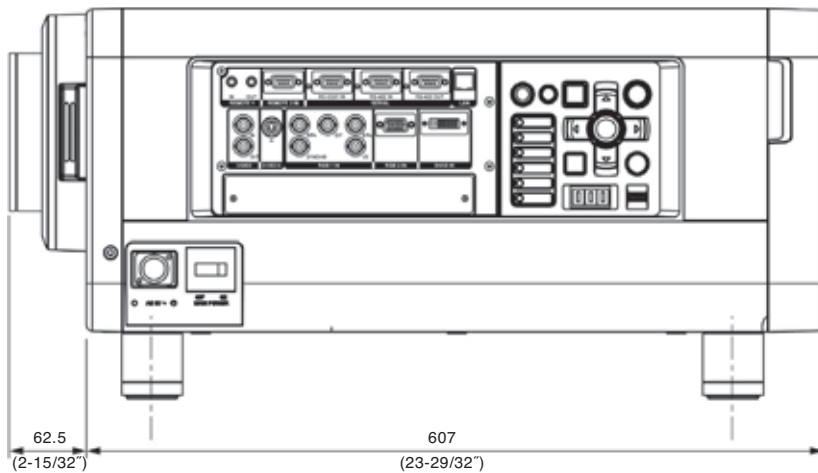
F value:	2.5
Focal distance (f):	28.8 mm–38.4 mm
Dimensions (W x H x D):	130 x 130 x 259 mm (5-1/8" x 5-1/8" x 10-3/16")
Weight:	4.6 kg (10.1 lbs)

The throw ratio is an approximate value calculated by dividing the screen width by the projection distance.
 DLP and the DLP logo are trademarks of Texas Instruments
 Weights and dimensions shown are approximate. Specifications subject to change without notice.

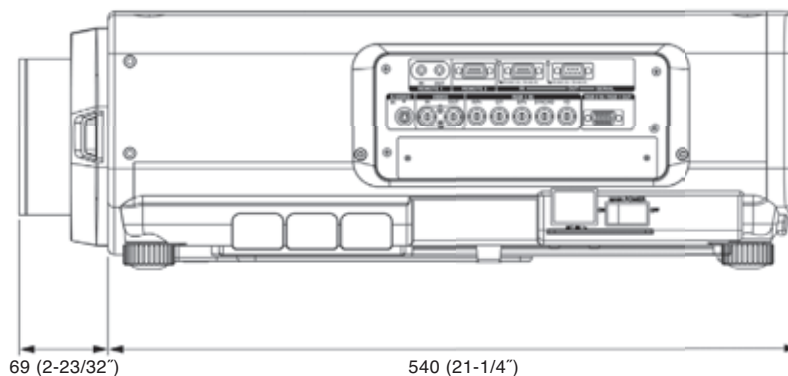
Dimensions



The illustration shows the lens attached to the PT-DW10000/D10000.



The illustration shows the lens attached to the PT-DW7000/D7700.



unit : mm (inch)

NOTE: This illustration is not drawn to scale.

This zoom lens is designed for use with the DLP™ projector. The lens makes it possible to vary the projection distance by changing the focal distance.

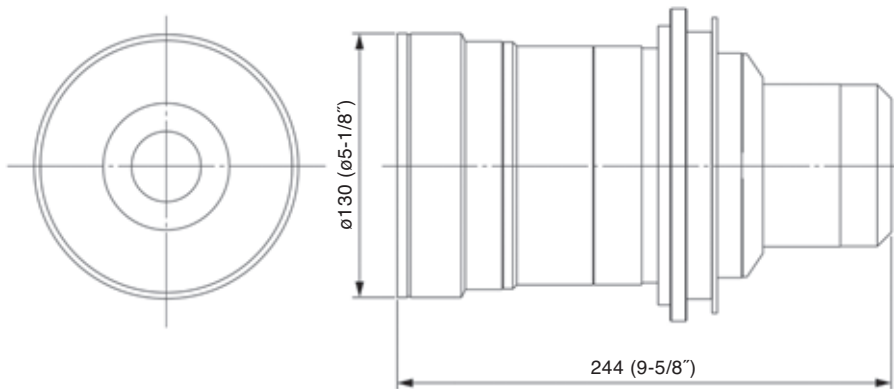
NOTE: Please use the lens only on the specified Panasonic DLP™ projector.

Specifications

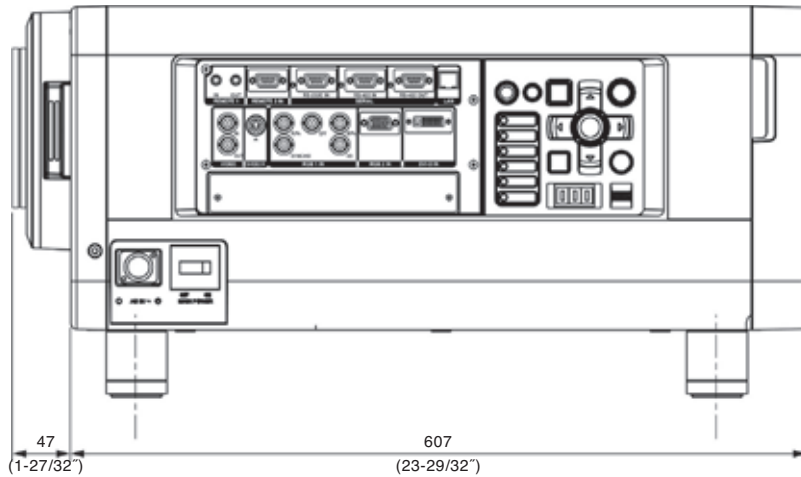
F value:	2.5
Focal distance (f):	38.7 mm–58.0 mm
Dimensions (W x H x D):	130 x 130 x 244 mm (5-1/8" x 5-1/8" x 9-5/8")
Weight:	4.0 kg (8.8 lbs)

The throw ratio is an approximate value calculated by dividing the screen width by the projection distance.
 DLP and the DLP logo are trademarks of Texas Instruments
 Weights and dimensions shown are approximate. Specifications subject to change without notice.

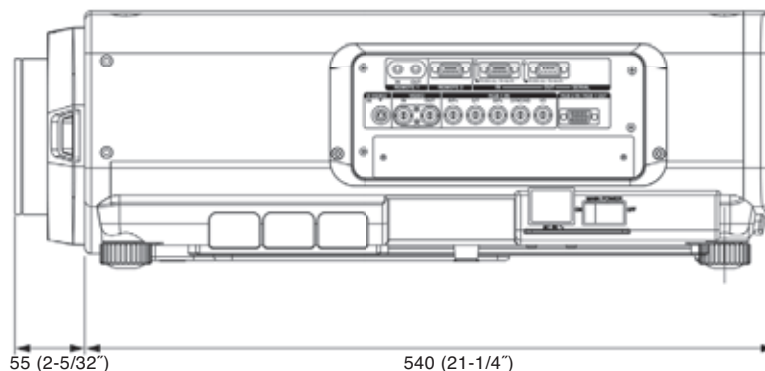
Dimensions



The illustration shows the lens attached to the PT-DW10000/D10000.



The illustration shows the lens attached to the PT-DW7000/D7700.



unit : mm (inch)

NOTE: This illustration is not drawn to scale.

This zoom lens is designed for use with the DLP™ projector. The lens makes it possible to vary the projection distance by changing the focal distance.

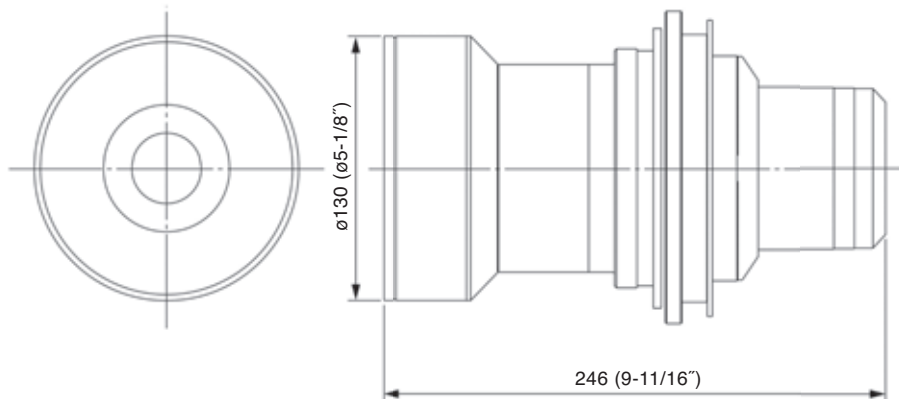
NOTE: Please use the lens only on the specified Panasonic DLP™ projector.

Specifications

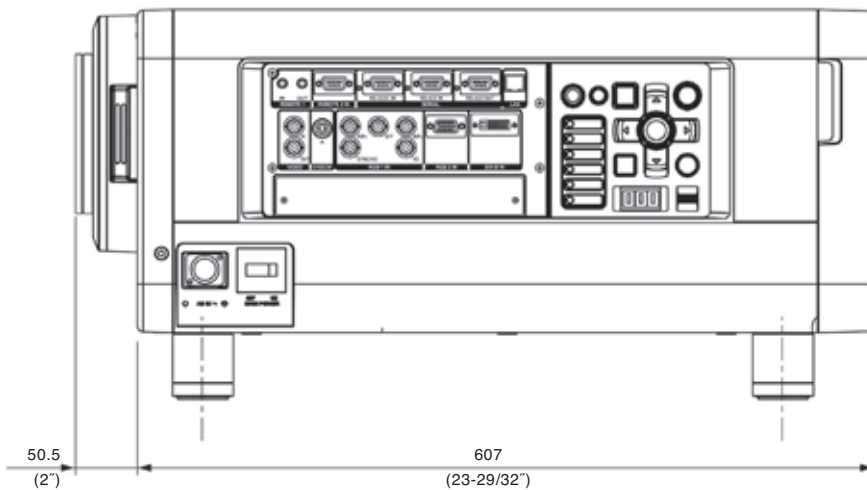
F value:	2.5
Focal distance (f):	58.1 mm–96.5 mm
Dimensions (W x H x D):	130 x 130 x 246 mm (5-1/8" x 5-1/8" x 9-11/16")
Weight:	4.1 kg (9.0 lbs)

The throw ratio is an approximate value calculated by dividing the screen width by the projection distance.
 DLP and the DLP logo are trademarks of Texas Instruments
 Weights and dimensions shown are approximate. Specifications subject to change without notice.

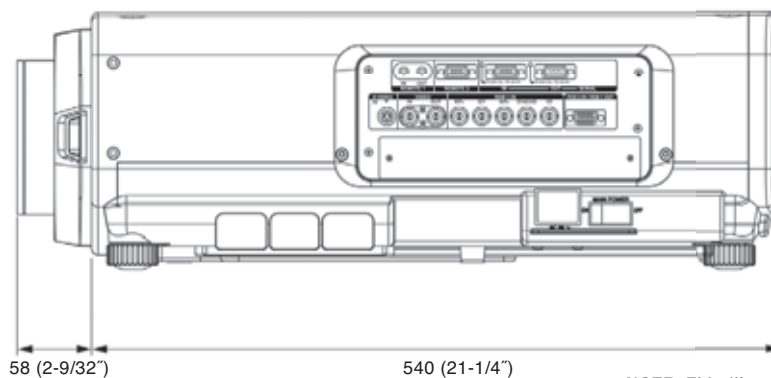
Dimensions



The illustration shows the lens attached to the PT-DW10000/D10000



The illustration shows the lens attached to the PT-DW7000/D7700



unit : mm (inch)
 NOTE: This illustration is not drawn to scale

This zoom lens is designed for use with the DLP™ projector. The lens makes it possible to vary the projection distance by changing the focal distance.

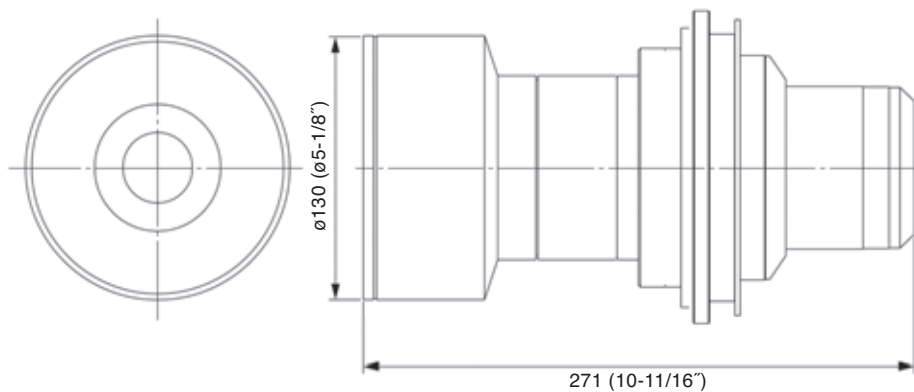
NOTE: Please use the lens only on the specified Panasonic DLP™ projector.

Specifications

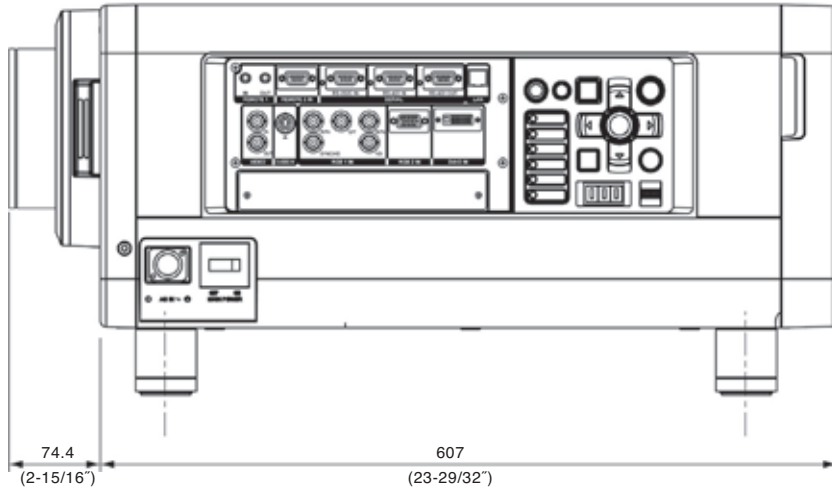
F value:	2.5
Focal distance (f):	96.5 mm–154.1 mm
Dimensions (W x H x D):	130 x 130 x 271 mm (5-1/8" x 5-1/8" x 10-11/16")
Weight:	3.7 kg (8.2 lbs)

The throw ratio is an approximate value calculated by dividing the screen width by the projection distance.
 DLP and the DLP logo are trademarks of Texas Instruments
 Weights and dimensions shown are approximate. Specifications subject to change without notice.

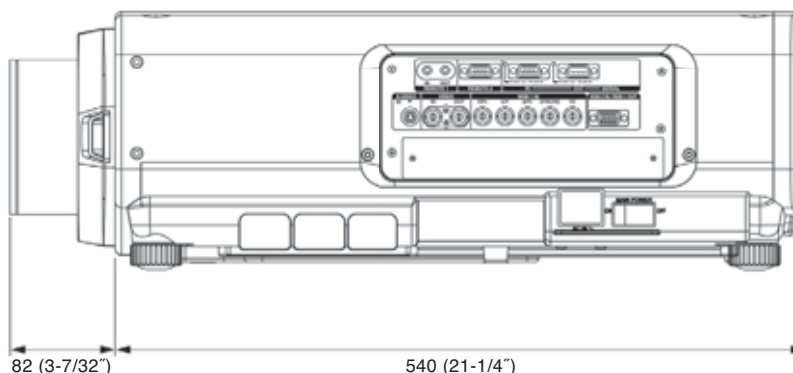
Dimensions



The illustration shows the lens attached to the PT-DW10000/D10000.



The illustration shows the lens attached to the PT-DW7000/D7700.



unit : mm (inch)
 NOTE: This illustration is not drawn to scale.

This fixed-focus short-throw lens is designed for use with the DLP™ projector.

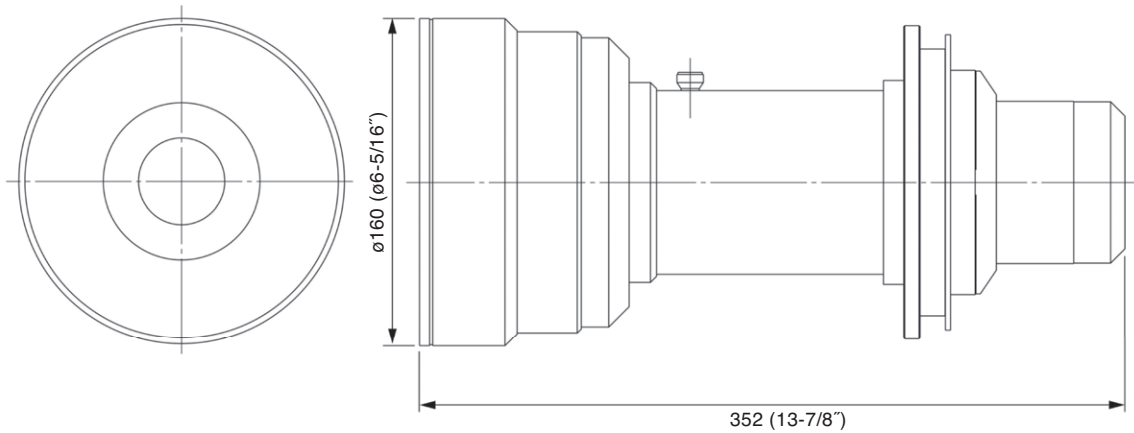
NOTE: Please use the lens only on the specified Panasonic DLP™ projector.

Specifications

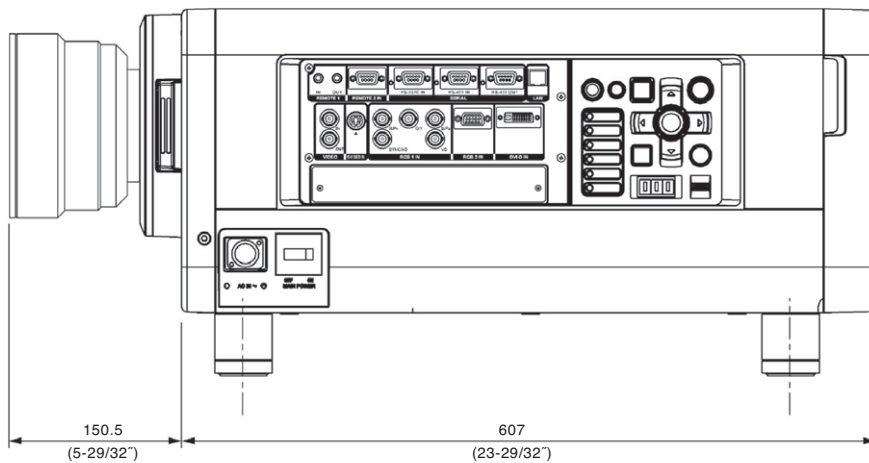
F value:	2.5
Focal distance (f):	14.8 mm
Dimensions (W x H x D):	130 x 130 x 352 mm (5-1/8" x 5-1/8" x 13-7/8")
Weight:	6.0 kg (13.2 lbs)

The throw ratio is an approximate value calculated by dividing the screen width by the projection distance.
 DLP and the DLP logo are trademarks of Texas Instruments
 Weights and dimensions shown are approximate. Specifications subject to change without notice.

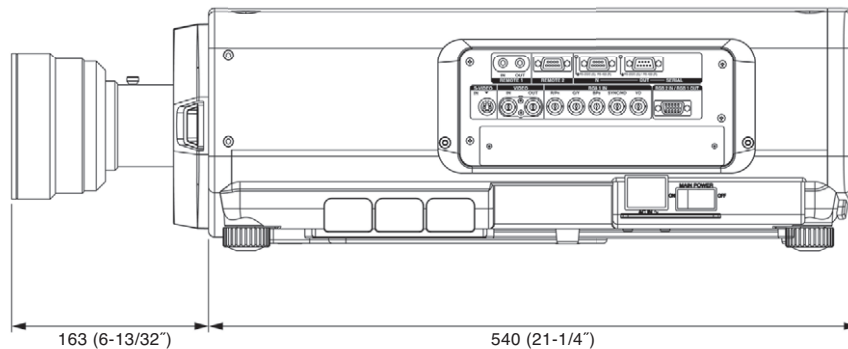
Dimensions



The illustration shows the lens attached to the PT-DW10000/D10000.



The illustration shows the lens attached to the PT-DW7000/D7700.



unit : mm (inch)

NOTE: This illustration is not drawn to scale.

This zoom lens is designed for use with the DLP™ projector. The lens makes it possible to vary the projection distance by changing the focal distance.

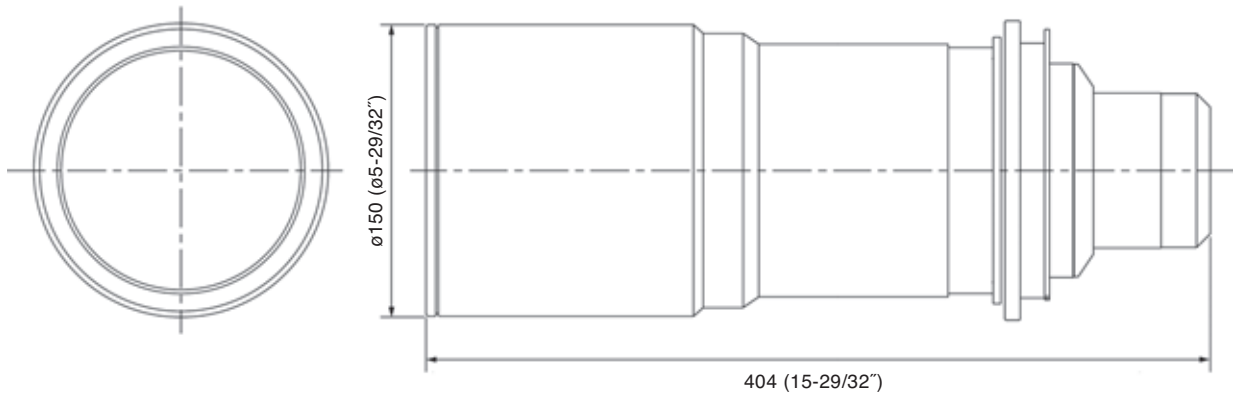
NOTE: Please use the lens only on the specified Panasonic DLP™ projector.

Specifications

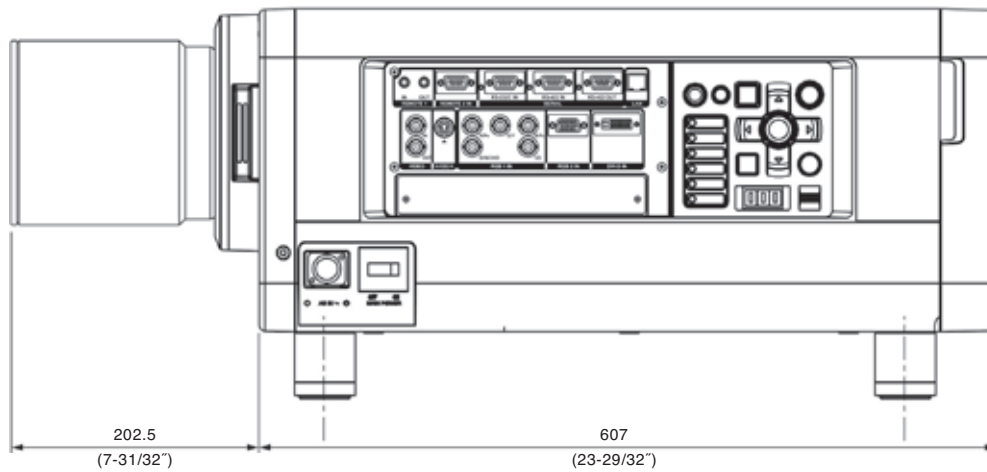
F value:	2.5–2.7
Focal distance (f):	154 mm–289 mm
Dimensions (W x H x D):	150 x 150 x 404 mm (5-29/32" x 5-29/32" x 15-29/32")
Weight:	8.5 kg (18.7 lbs)

The throw ratio is an approximate value calculated by dividing the screen width by the projection distance.
 DLP and the DLP logo are trademarks of Texas Instruments
 Weights and dimensions shown are approximate. Specifications subject to change without notice.

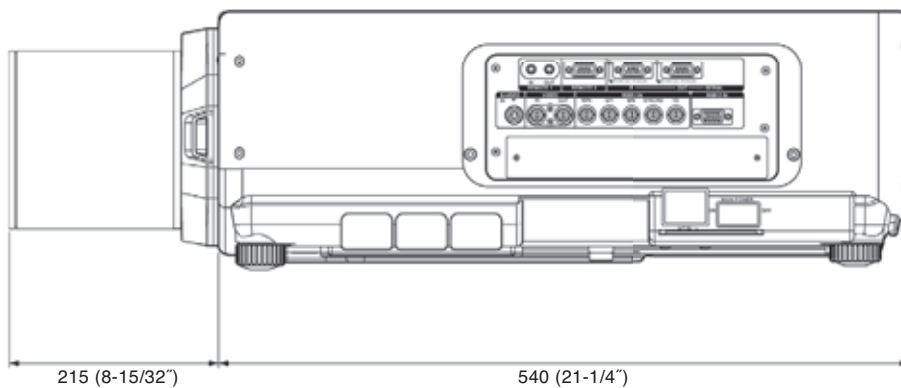
Dimensions



The illustration shows the lens attached to the PT-DW10000/D10000.



The illustration shows the lens attached to the PT-DW7000/D7700.



unit : mm (inch)
 NOTE: This illustration is not drawn to scale.

Free Manuals Download Website

<http://myh66.com>

<http://usermanuals.us>

<http://www.somanuals.com>

<http://www.4manuals.cc>

<http://www.manual-lib.com>

<http://www.404manual.com>

<http://www.luxmanual.com>

<http://aubethermostatmanual.com>

Golf course search by state

<http://golfingnear.com>

Email search by domain

<http://emailbydomain.com>

Auto manuals search

<http://auto.somanuals.com>

TV manuals search

<http://tv.somanuals.com>