

# Panasonic

ideas for life

2006/4

Live Switcher  
**AW-SW350**

## *5-inputs, Compact Size Live Switcher*



**Live Switcher**

# High-Quality 5-inputs Live

## Field Production



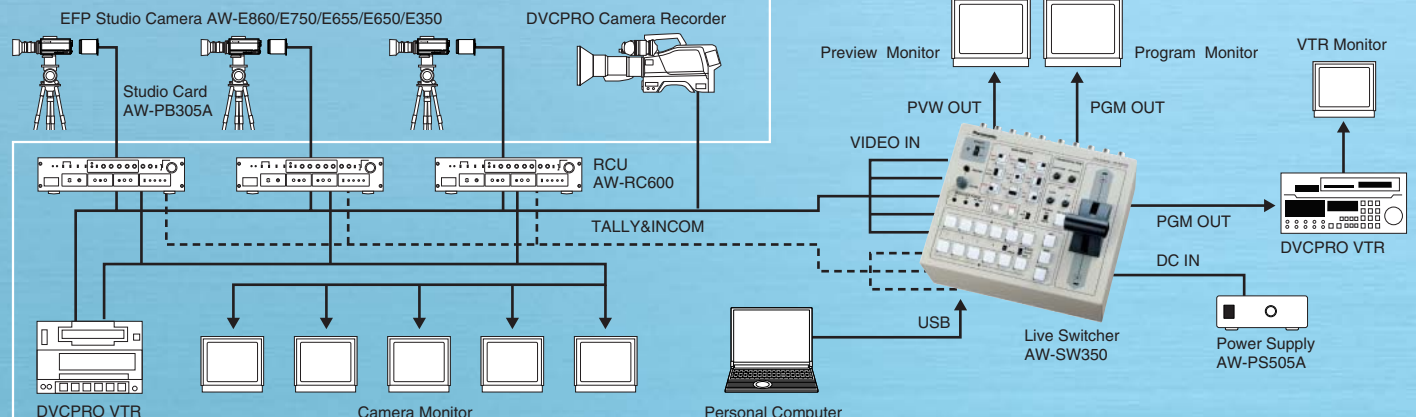
## Permanent Camera System



## Video Recording



### SYSTEM EXAMPLE



# Switcher for Multi Use

## 5-inputs (Composite and Y/C) in Compact Body

- 5 composite inputs/2 outputs are available. Auto termination and loop through outputs.
- 5 Y/C video inputs/1outputs (4P) are available.
- Possible to switch input 5 and video in self-contained frame memory. Selectable color background: black and 9 colors.

## Selectable A/B Bus System or Flip Flop System in Bus Operation

## 10-bit 5-channel Frame Synchronizer/External Gen-lock System

- Built-in 10-bit 5-channel frame synchronizer, which is useful for high-quality switching (No freeze picture in asynchronous video input)
- This switcher can also have the Frame Synchronizer turned off and thus be used as a gen-lockable device for high-quality video.
- Black Burst Output offers and genlockable by external video signal

## Frame Capture, Soft Wipe and Linear Key

- USB port is available for mixing/keying video and characters graphics from PC. One frame memory is self-contained.
- 9 wipe patterns and manual/auto wipe (hard wipe/3 steps of soft wipe)
- Smooth characters keying by linear key system.

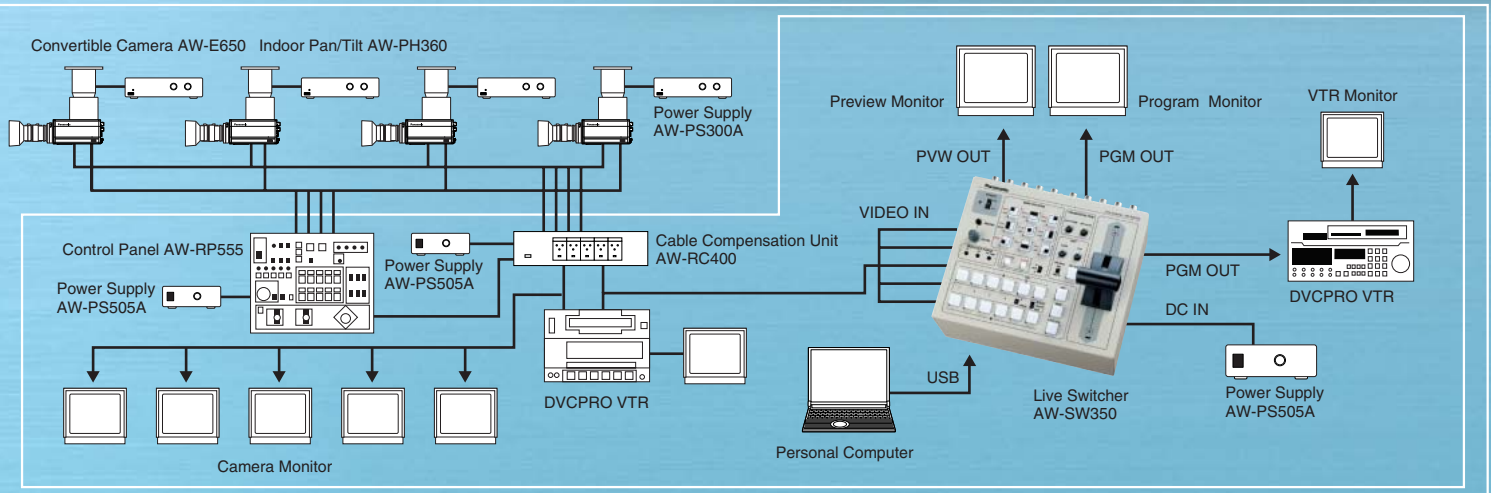
## 3 Program Outputs and 1 Preview Output

## 5-tally Outputs and 5-intercom Inputs/Outputs

## DC Operated Compact Switcher

- This half rack size switcher can operate off DC battery power and it can be used in the field.\*

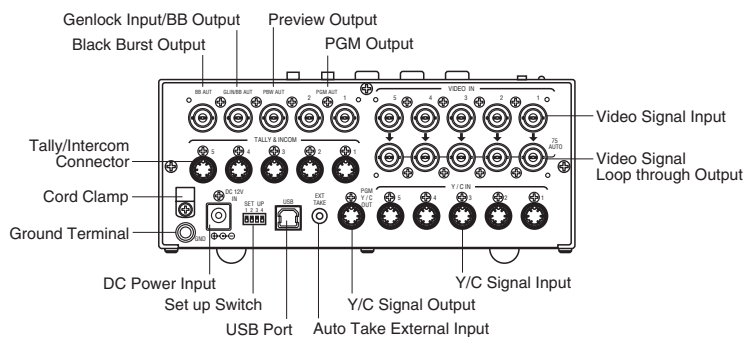
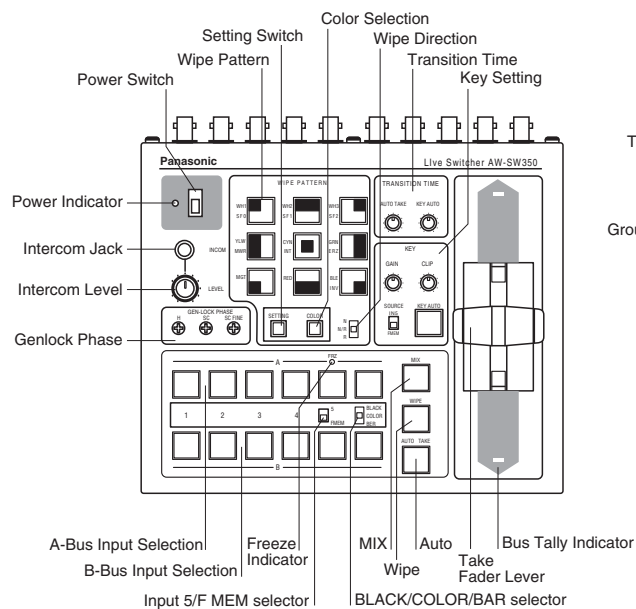
\*Be careful of rain and water drop because this is not water proof construction.  
\*Power supply AW-PS505A is required.



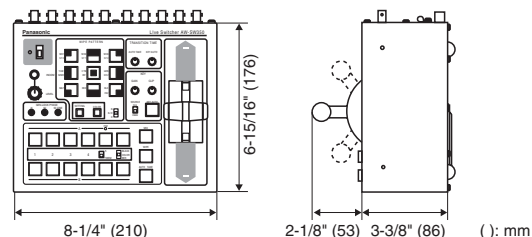
## Specifications

<b>Video format</b>	NTSC/PAL switchable	<b>Intercom</b>	1 to 5(6-pin connector, 3/4 wire selectable) Intercom jack(M6 jack)
<b>Video input</b>	<b>Composite input</b>	VBS:1.0 Vp-p/75 Ωx5(BNC) Automatic termination	<b>Tally control</b>
	<b>Y/C input</b>	Y:1.0 Vp-p/75 Ω C:0.286 Vp-p/75 Ωx5(S)NTSC 0.3 Vp-p/75 Ωx5(S)PAL	
<b>Video output</b>	<b>Composite output</b>	VBS:1.0 Vp-p/75 Ωx2(BNC)	<b>Color bar signal</b>
	<b>Y/C output</b>	Y:1.0 Vp-p/75 Ω C:0.286 Vp-p/75 Ωx1(S)NTSC 0.3 Vp-p/75 Ωx1(S)PAL	Internal(SMPTE,Black color selectable)NTSC (Full bar)PAL
	<b>Preview output</b>	VBS:1.0 p-p/75 Ωx1(BNC)	<b>White and black signal</b>
	<b>Black burst signal</b>	BBS:Sync:0.286 Vp-p C:0.286 Vp-p burst NTSC 0.3 Vp-p burst PAL 75 Ωx1(BNC)	Internal
	<b>Signal loop through output</b>	1 each(BNC)	<b>Frequency response</b>
<b>Frame synchronizer</b>	10 bit quantization 13.5 MHz sampling This installed in each channel (from 1 to 5) of VIDEO input.	<b>Storage temperature</b>	-4 °F to 140 °F(-20 °C to +60 °C)
		<b>Operating temperature</b>	32 °F to 104 °F(0 °C to +40 °C)
<b>Wipe patterns</b>	9 patterns	<b>Humidity</b>	30 %-90 %
<b>Wipe directions</b>	3 directions (normal,reverse,normal/reverse)	<b>Power</b>	DC12 V (+10.8 - 16.0 V)
<b>Mix</b>	Cross fader	<b>Power consumption</b>	16 W
<b>Auto take</b>	Wipe, Mix (time adjustable)	<b>Dimensions(WxHxD)</b>	8-1/4"x3-7/16"x6-15/16"(210 mm x 86 mm x 176 mm)
<b>Key synthesis</b>	Self Key, Linear Key	<b>Weight</b>	Approx.4.9 lbs(2.2 kg)

## Controls and their functions



## Dimensions



# Panasonic

Panasonic Broadcast & Television Systems Co.  
Unit of Panasonic Corporation of North America  
[www.panasonic.com/broadcast](http://www.panasonic.com/broadcast)

Government Sales: phone: 201-348-7587

Headquarters: 3 Panasonic Way, 4E-7, Secaucus, NJ 07094; phone: 201-348-5300

Eastern Zone: 3 Panasonic Way, 4E-7, Secaucus, NJ 07094; phone: 201-348-7196

Western Zone: 3330 Cahuenga Blvd. West, Los Angeles, CA 90068; phone: 323-436-3608

AW-JACSW350



Printed in Japan

## Free Manuals Download Website

<http://myh66.com>

<http://usermanuals.us>

<http://www.somanuals.com>

<http://www.4manuals.cc>

<http://www.manual-lib.com>

<http://www.404manual.com>

<http://www.luxmanual.com>

<http://aubethermostatmanual.com>

Golf course search by state

<http://golfingnear.com>

Email search by domain

<http://emailbydomain.com>

Auto manuals search

<http://auto.somanuals.com>

TV manuals search

<http://tv.somanuals.com>