

Description

This ceiling mount bracket is used when mounting a Panasonic's applicable projector to high ceilings.

NOTE: This ceiling mount bracket cannot be used by itself. Combine it with the optional bracket assembly.

Specifications	Vertical correction angle:	+10°, -40°
	Horizontal slant correction angle:	±15°
	Horizontal turn correction angle:	±10°
	Dimensions (W × H × D):	264 × 864–1,464 × 264 mm (10-13/32 × 34-1/32–57-5/8 × 10-13/32 inches)
	Weight:	Approx. 5.2 kg* (11.5 lbs*)
	Applicable bracket assembly:	ET-PKE200B

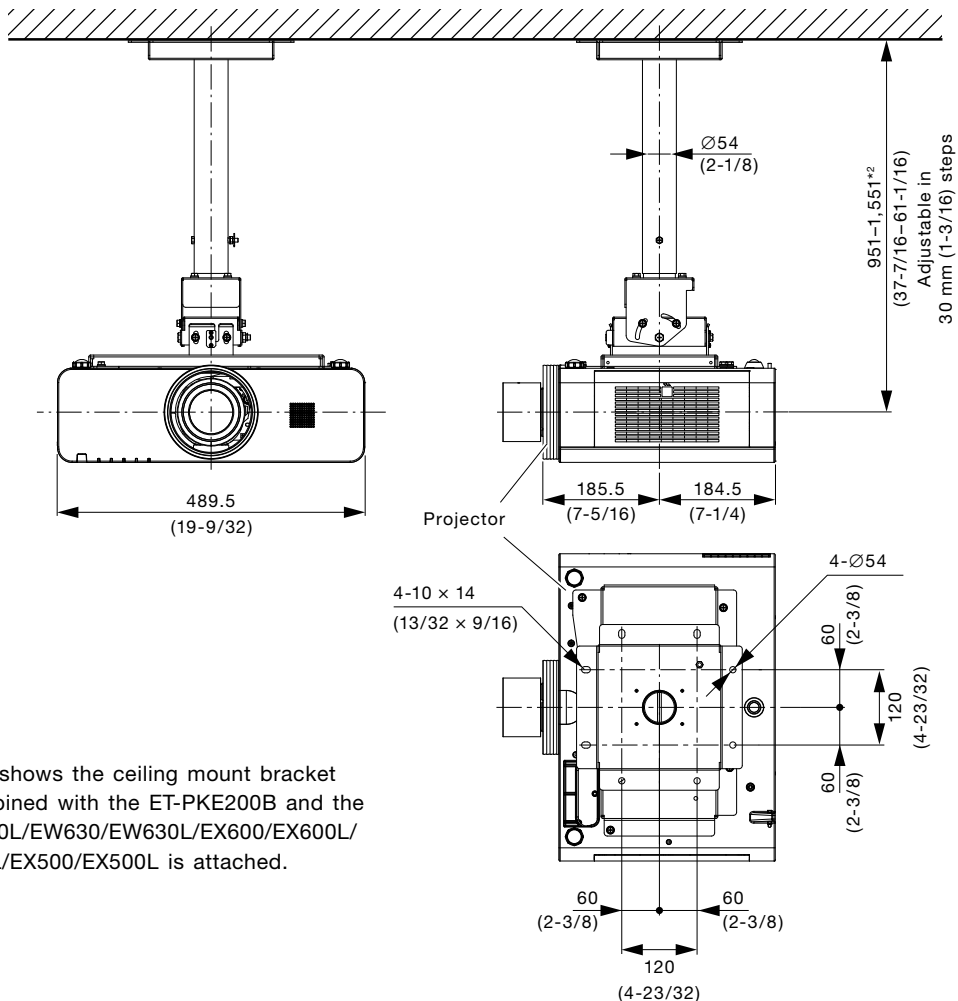
* Average value. May differ depending on models.

Parts	Projector mount bracket A (pole included) 1	Hexagonal nut (M6) 1
	Projector mount bracket B (pole included) 1	Snap pin 1
	Pole joint bolt 1	Screws (M3 × 10) 4
	Washer (M6) 1	Safety wire 1

Caution:

- Mounting should be done by a qualified technician.
- Make sure that the mounting (ceiling) area has sufficient strength.
- Read the enclosed mounting instructions thoroughly before starting.
- Do not use an electric screwdriver or impact driver to tighten screws. Use a torque driver or hexagon torque wrench and tighten screws to the torque specified in the instructions.
- When the product is no longer going to be used, have it disposed of quickly by a professional disposal service.

Dimensions



The illustration shows the ceiling mount bracket when it is combined with the ET-PKE200B and the PT-EZ570/EZ570L/EW630/EW630L/EX600/EX600L/ EW530/EW530L/EX500/EX500L is attached.

unit : mm (inch)
NOTE: This illustration is not drawn to scale.

Free Manuals Download Website

<http://myh66.com>

<http://usermanuals.us>

<http://www.somanuals.com>

<http://www.4manuals.cc>

<http://www.manual-lib.com>

<http://www.404manual.com>

<http://www.luxmanual.com>

<http://aubethermostatmanual.com>

Golf course search by state

<http://golfingnear.com>

Email search by domain

<http://emailbydomain.com>

Auto manuals search

<http://auto.somanuals.com>

TV manuals search

<http://tv.somanuals.com>