

VHS TIME-LAPSE VIDEO CASSETTE RECORDER (NTSC)



KEY FEATURES

- 12VDC powered
- Compact design and easy operation
- Record in 2/6/12/24-hour modes with audio
- Event recording extends operation up to 3 days (3d1, 3d2)
- Emergency recording
- Alarm recording/search/recall
- Summer time (Daylight Savings Time) adjustment
- Auto alarm reset in programmable alarm mode
- Daily/weekly/external timer recording
- Auto repeat recording/auto rewind
- 1-week timer back-up
- Built-in time/date generator
- 300 TVL resolution B/W
- Noiseless still
- Forward/reverse field advance
- 4-video head system
- Dual mode record lock function
- Easy to read LCD with back light
- Hour meter
- Camera switching output, auto off output and tape end output
- AG-A11 optional wired remote control

ARCHITECTS' AND ENGINEERS' BID SPECIFICATIONS

The industrial grade time-lapse field recorder (NTSC) shall be a Panasonic Model AG-1070DC or equivalent and shall not be a modified consumer unit. The time-lapse recorder shall be VHS compatible.

The unit shall be specially designed for the application in which AC power doesn't exist. The unit shall have standard 2-hour and 6-hour VHS recording and provide 12-hour and 24-hour time-lapse (linear slow) recording. Another feature shall be the audio recording in both time-lapse modes. In addition to 12-hour and 24-hour time-lapse recording, event recording shall be possible, with 8-second sections recorded every 4 minutes in 3d1 mode (2-hour) and with 22-second sections every 4 minutes in 3d2 mode (6-hour). This shall allow recording over a 3-day period. Even with power switched off, or when the unit is set to the stop position, emergency recording shall automatically start as soon as an external alarm signal is received. If an alarm signal is received during time-lapse or event recording, the unit shall automatically switch to alarm recording in the previously set mode (2- or 6-hour). The unit itself shall also provide an alarm. The alarm search/recall feature shall find the latest of alarm recording, and switch to Pause. Alarm recall shall allow you to check the date and time of the last 6 alarms recorded by using the on-screen display. Additional features shall include summer time (Daylight Savings Time) adjustment, auto alarm reset, daily and weekly timer recording, external timer recording, auto repeat recording/auto rewind, 1-week timer backup, built-in time and date generator, optional wired remote control (AG-A11), dual mode record lock function, LCD with back light, hour meter, camera switching output, auto off output and tape end output.

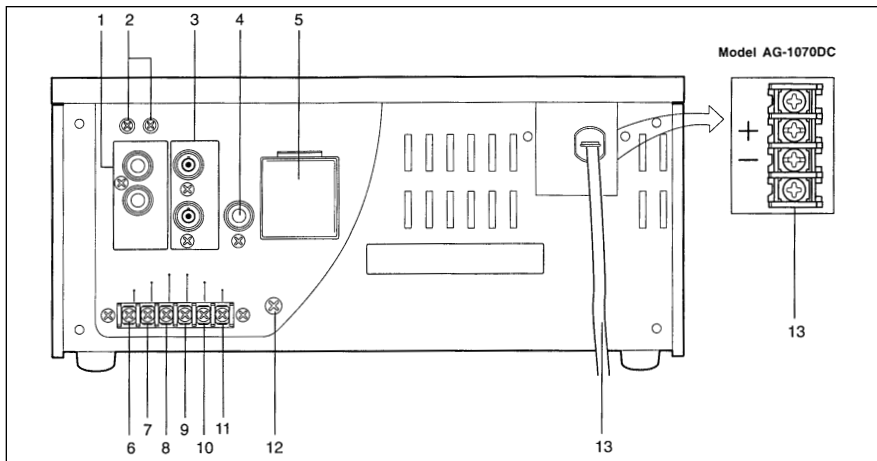
Horizontal resolution VHS-2 Hour Mode shall be 240 lines (color), 300 lines (monochrome). The unit shall feature a 4-video head system and high speed FF/REW (3 min./NV-T120 tape). The time-lapse field recorder shall feature auto head cleaning, noiseless still, forward/reverse field advance. The body shall be no more than 10 7/8" wide. The power source shall be 12VDC. The unit shall be UL listed.

SPECIFICATIONS

Model #	AG-1070DC
GENERAL	
Power Source	12VDC (Operating Voltage: 10V-16V)
Power Consumption	Approximately 14W
Operating Temperature	+41°F to 104°F (+5°C to +40°C)
Operating Humidity	35% ~ 80%
Weight	Approximately 11 lbs.
Dimensions (H x W x D)	4 3/8" x 10 3/8" x 13 3/8"
SYSTEM	
Television System	EIA standard, NTSC color signal; 525 lines, 60 fields
Video Recording System	2 rotary heads, helical scanning system (VHS mode)
Video Head System	4 rotary heads
Modulation System	Luminance; FM azimuth recording chrominance; Converted subcarrier phase shift recording
Audio Track	1 track
TAPE TRANSPORT	
Tape Format	VHS tape
Tape Speed	2-hour mode: 1 7/8 ips (33.35mm/s), 6-hour mode: 7/8 ips (11.12mm/s)
Recording Time (w/NV-T120)	2-6 hours (VHS mode); 12-24 hours (linear slow mode)
FF/Rewind Time	Approximately 3 min. w/NV-T120
VIDEO	
Video In (BNC)	1.0V p-p, 75 ohms, unbalanced
Video Out (BNC)	1.0V p-p, 75 ohms, unbalanced
Horizontal Resolution	VHS (2-hour mode): 43dB (color), 45dB (monochrome)
AUDIO	
Audio In (Phono)	-10dBV, 47K ohms, unbalanced
Mic In (M3)	-60dBV, 600 ohms, unbalanced
Audio Out (Phono)	-8dBV, 1K ohm, unbalanced
Audio Frequency Response	50Hz ~ 10kHz (2-hour mode)
CONNECTORS	
Terminal Input	Alarm, alarm reset, summer time
Terminal Output	Tape end, warning
Camera Switching Signal	12V/0V, pulse width: 16.67ms
Remote Control	For AG-A11 (option)

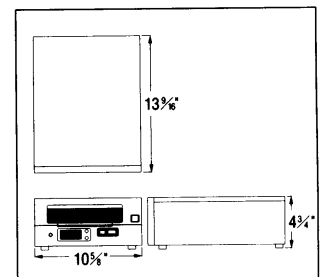
Weight and dimensions shown are approximate.
Specifications subject to change without notice.
This product may be subject to export control regulations.

Warning: Unauthorized recording of copyrighted television programs, films, videotapes and other materials may infringe upon the right of copyright owners and be contrary to copyright laws.



1. Audio input/output connectors (phono jacks)
2. Vertical hold controls (2h, 6h)
When the image on the TV monitor runs vertically during still-picture playback, adjust these controls by turning them with a small screwdriver.
3. Video input/output connectors
Video input/output connectors (BNC); connect the input connector to the video camera, etc. and the output connector to the TV monitor, etc.
4. Camera switching output connector
Camera switching output connector; connect it to the sequential switcher.
5. Battery installation area
Install the battery in this area.
6. Alarm input connector
Alarm recording input connector; connect it to the external sensor.
7. COMMON terminal
8. Alarm reset connector
Input connector for releasing alarm recording; +4 to +12VDC voltage is required.
9. SUMMER TIME connector
This is used to switch between the present time and summer time.
10. Tape end output connector
When the cassette tape comes to its end during recording, the alarm device installed externally is activated.
11. WARNING output connector
When trouble has occurred in the unit, the alarm device installed externally is activated.
12. Ground terminal
13. 12VDC input connector (Caution)
When being powered by the car battery, wire the +12V power line using a 5A fuse.

DIMENSIONS



SECTION 1

Free Manuals Download Website

<http://myh66.com>

<http://usermanuals.us>

<http://www.somanuals.com>

<http://www.4manuals.cc>

<http://www.manual-lib.com>

<http://www.404manual.com>

<http://www.luxmanual.com>

<http://aubethermostatmanual.com>

Golf course search by state

<http://golfingnear.com>

Email search by domain

<http://emailbydomain.com>

Auto manuals search

<http://auto.somanuals.com>

TV manuals search

<http://tv.somanuals.com>