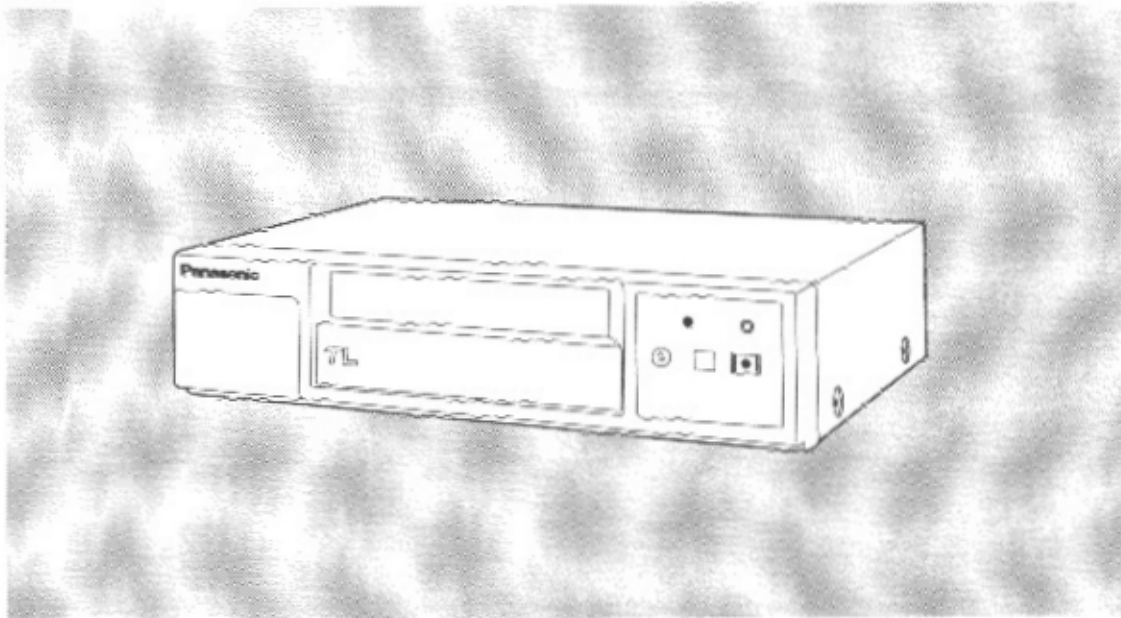


Operating Instructions

Panasonic **VHS**
Professional/Industrial video

Model AG-**TL500**_P

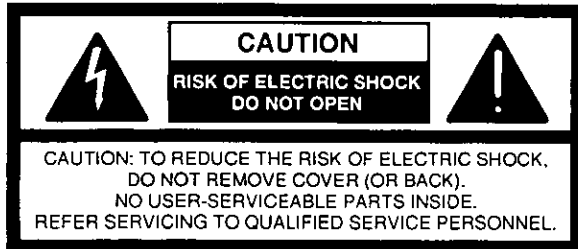


Time Lapse Recorder

Before attempting to connect, operate or adjust this product, please read these instructions completely.

IMPORTANT

"Unauthorized recording of copyrighted television programs, films, video tapes and other materials may infringe the right of copyright owners and be contrary to copyright laws."



The lightning flash with arrowhead symbol, within an equilateral triangle, is intended to alert the user to the presence of uninsulated "dangerous voltage" within the product's enclosure that may be of sufficient magnitude to constitute a risk of electric shock to persons.



The exclamation point within an equilateral triangle is intended to alert the user to the presence of important operating and maintenance (servicing) instructions in the literature accompanying the appliance.

CAUTION:

To reduce the risk of fire or shock hazard and annoying interference, use the recommended accessories only.

CAUTION:

To reduce the risk of fire or shock hazard, refer change of switch setting inside the unit to qualified service personnel.

WARNING:

To reduce the risk of fire or shock hazard, do not expose this equipment to rain or moisture.

FCC Note: This device complies with Part 15 of the FCC Rules. To assure continued compliance follow the attached installation instructions and do not make any unauthorized modifications. FCC's limits are designed to provide reasonable protection against harmful interference when operated in a residential environment. If this device does cause interference to radio or television reception, which can be determined by turning the device off and on, use this device in another location and/or utilize an electrical outlet different from that used by the receiver. If necessary, consult the dealer or an experienced radio/TV technician for help.

Lithium Battery

Replace battery with part No. VL2330/1HF only. Use of another battery may present a risk of fire or explosion.
Caution—Battery may explode if mistreated.
Do not recharge, disassemble or dispose of in fire.

is the safety information.

Contents

Features	4	Timer Recording	14
Regular Maintenance Service Recommendation	4	• Internal Timer Recording	14
Parts And Their Functions	5	Daily Recording (Daily Timer)/ Weekly Recording (Weekly Timer)	15
Menu Screens	8	• External Timer Recording	16
Date and Time Settings	10	Auto Repeat Recording/Auto Rewinding	16
Time Mode Selection	12	Alarm Recording (Emergency Recording)	17
Recording Procedure	13	• Alarm Recall	18
Tips For Better Recording	13	Playback Procedure	19
• Recording Mode Lock	13	Routine & Regular Inspection Request	20
• Recording Check	13	Interface RS-232C	21
• Restoration-of-Power-After-Failure Recording	13	Troubleshooting	26
		Specifications	28

- | | |
|--|---|
| <ul style="list-style-type: none">■ Do not insert fingers or any objects into the video cassette holder.■ Avoid operating or leaving the unit near strong magnetic fields. Be especially careful of large audio speakers.■ Avoid operating or storing the unit in an excessively hot, cold, or damp environment as this may result in damage both to the recorder and to the tape.■ Do not spray any cleaner or wax directly on the unit.■ If the unit is not going to be used for a length of time, protect it from dirt and dust.■ Do not leave a cassette in the recorder when not in use.■ Do not block the ventilation slots of the unit. | <ul style="list-style-type: none">■ Use this unit horizontally and do not place anything on the top panel.■ Cassette tape can be used only for one-side, one direction recording. Two-way or two-track recordings cannot be made.■ Cassette tape can be used for either Color or Black & White recording.■ Do not attempt to disassemble the recorder. There are no user serviceable parts inside.■ If any liquid spills inside the recorder, have the recorder examined for possible damage.■ Refer any needed servicing to authorized service personnel. |
|--|---|

Features

Recording and playback up to 168-hour time modes

In addition to the 2-hour/6-hour time modes, recording and playback can be performed in the time lapse modes (L12-, L24-, 24-, 48-, 72-, 96-, 120- and 168-hour modes).

Full line-up of recording functions

Included in the wide range of recording functions are restoration-of-power-after-failure recording, recording every day and by the days of the week using the internal timer, external timer recording, alarm recording, emergency recording and repeat recording.

Playback functions

Among the convenient playback functions are the recording review function for immediate viewing of recorded material, the handy search function for locating images promptly, and the forward/reverse field advance and still-picture functions for careful viewing of particular scenes.

Auto tracking function

The tracking can be automatically adjusted by pressing the “-” and + tracking buttons together.

Built-in time/date generator

This unit comes with a built-in microprocessor with a calendar function for displaying the time on the display or TV monitor and for controlling the time of the internal timer.

Recording lock function

A double recording mode lock function is provided for safeguarding against operational errors during recording.

Connection to frame switcher

Easy connection to a frame switcher is possible once the unit has been connected to the video input and camera SW connectors.

- Do not supply signals from color cameras and black-and-white cameras simultaneously to the camera input connectors since this may disturb the synchronization on the monitor screen or generate noise.

Hour meter

The unit contains an hour meter which provides useful information for maintenance and inspections.

Remote control

The unit can be operated from a distance of about 5 meters if the AG-A11 remote controller, available as an optional accessory, is connected.

RS-232C connector

This enables the basic functions of the VTR to be operated using a personal computer, etc.

Regular Maintenance Service Recommendation

Although this unit is designed to withstand long-term use, the items listed below should be inspected regularly so that the unit is kept in perfect working order. Use the hour meter to know when to conduct the inspections.

The VTR is a piece of precision-made equipment and, as such, it is recommended that the user enter into a maintenance and inspection agreement to keep the unit operating free of trouble or failures. For further details, please consult with your dealer.

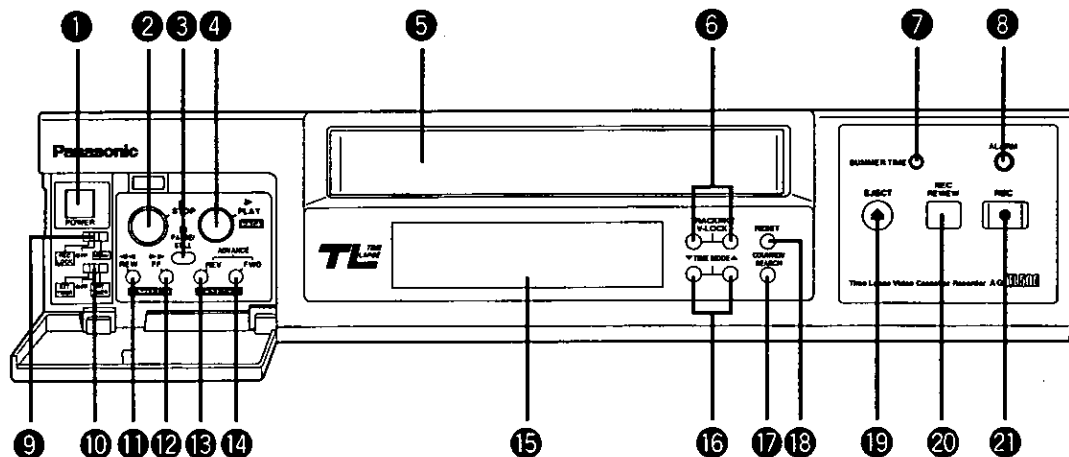
Inspection item	Cumulative operation time (hours)										
	500	1000	2000	3000	4000	5000	6000	7000	8000	9000	10000
Transport system cleaning	●	●	●	●	●	●	●	●	●	●	●
Audio heads	●	●	●	●	●	◎	●	●	●	●	◎
Video heads	●	◎	◎	◎	◎	◎	◎	◎	◎	◎	◎
Cylinder unit	●	●	●	●	●	◎	●	●	●	●	◎

- ◎ Service life inspection
● Cleaning

(L12-/L24-/24-hour mode use)

The above table merely serves to lay down general guidelines for the inspection of typical parts involved in regular inspections. The timing of the inspections needs to be adjusted according to the VTR's operating environment.

Parts And Their Functions



- 1 Power switch**
The power is turned on when this switch is pressed. When the switch is pressed again, the power is turned off.
- 2 STOP button**
When this is pressed, the tape stops traveling.
- 3 PAUSE/STILL button**
When this is pressed during recording, the tape temporarily stops traveling.
When pressed during playback, the tape temporarily stops traveling, and a still picture appears on the TV monitor. When pressed again, the tape travel resumes.
- 4 PLAY (page) button**
Playback starts when this button is pressed. The pages on the menu screen are advanced when the button is pressed while a menu screen is displayed.
- 5 Cassette holder**
This is the loading slot for the video cassette.
- 6 Tracking (-, +) buttons/V-LOCK buttons**
These buttons are used to adjust the tracking or to compensate the vertical dancing during still picture. If noise appears on the playback picture, press the buttons to adjust the tracking is such a way that the picture is made as clear as possible. When both buttons are pressed together, the tracking is adjusted automatically.
If the image shakes slightly in the vertical direction during still picture, press the V-LOCK buttons to reduce the dancing.
- 7 SUMMER TIME button**
This is used to switch between the present time and summer (daylight saving) time.
- 8 ALARM display lamp**
This remains lighted while alarm recording is in progress. It flashes when alarm recording ends.
- 9 MENU/REC LOCK switch**
When this switch is set to REC LOCK, the time mode and operation buttons as well as the power switch cannot be operated while recording is in progress.
When it is set to MENU, the menu screen appears.
- 10 TIMER MODE (REC MODE) switch**
This is the operation switch for internal timer recording or external timer recording. The displays shown below light on the display panel.
INT TIMER: At the times set by the internal timer, the power is automatically turned on or off and recording starts or stops.
OFF: When timer recording is not performed.
EXT TIMER: When the external power is turned on, recording starts automatically.
- 11 REW (shift) button**
When this button is pressed, the tape is rewound. When it is kept depressed during playback, the review mode is established.
When it is pressed once during playback in the alarm search mode, the unit is placed in the review mode.
When it is pressed while a menu screen is displayed, the setting items move downward.
- 12 FF (shift) button**
When this is pressed, the tape is fast forwarded. When it is kept depressed during playback, the unit is placed in the cue mode.
When it is pressed once during playback in the alarm search mode, the unit is placed in the cue mode.
When it is pressed while a menu screen is displayed, the setting items move toward the right.

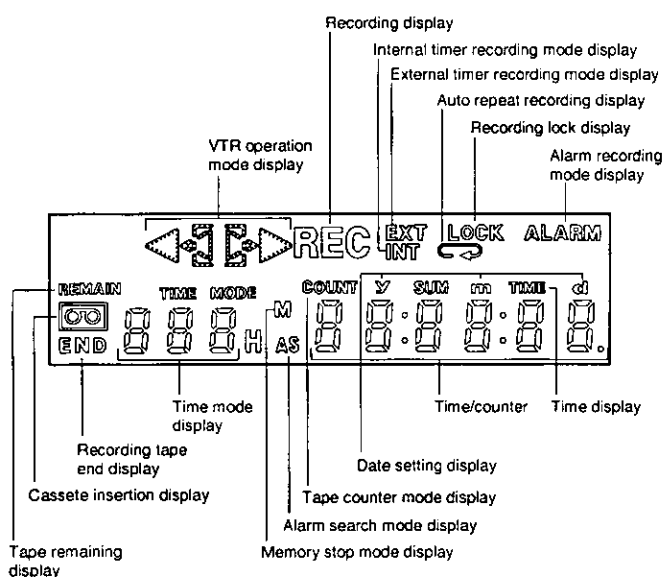
13 Field REV ADV (set) button

When this is kept depressed during still-picture playback, the picture is advanced field by field in the reverse direction. When it is released, the still picture reappears. When a menu screen is displayed, it is used to change an item (decrement a value).

14 Field FWD ADV (set) button

When this is kept depressed during still-picture playback, the picture is advanced field by field in the forward direction. When it is released, the still picture reappears. When a menu screen is displayed, it is used to change an item (increment a value).

15 Display panel



• Operation mode displays

Operation mode	Display
Playback	▶▶ or ▶
Recording	▶ Rec lamp lights.
Still picture	
Recording pause	Rec lamp lights.
Recording check	▶ Rec lamp lights.
Fast forwarding	▶▶▶
Rewinding	◀◀◀
Cue	▶▶
Review	◀◀
Forward field advance	
Reverse field advance	

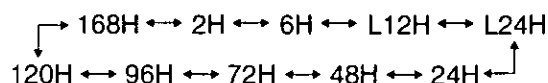
• Error messages

An error code appears when trouble has occurred during operation.

- E-2: Trouble in video cassette insertion area
- E-3: Trouble in video cassette tape loading area
- E-4: Trouble in cylinder area
- E-5: Trouble in tape transport area
- d: Formation of condensation (dew)

16 TIME MODE button

This is used to select the recording and playback time mode. Each time this is pressed, the time mode changes in the following sequence:



17 COUNTER/SEARCH selector button

When this button is pressed, the display on the display panel changes to time, counter, counter memory, alarm search and number of repeat recording times. The M mark appears on the display panel in the counter memory mode. When the tape is fast forwarded or rewind in this mode, the counter will automatically stop when 0:00:00 is approached. The AS mark appears on the display panel in the alarm search mode. When the tape is fast forwarded or rewind in this mode, the unit is automatically set to still-picture playback at the alarm recording section.

“** PAS” is displayed during repeat recording.
 “--PAS” appears at all other times.

(where “**” denotes the number of repeat times)

- “M” or “AS” will not operate when the button is pressed while fast forwarding or rewinding is in progress.

18 RESET button

When this button is pressed, the counter display is reset to 0:00:00.

19 EJECT button

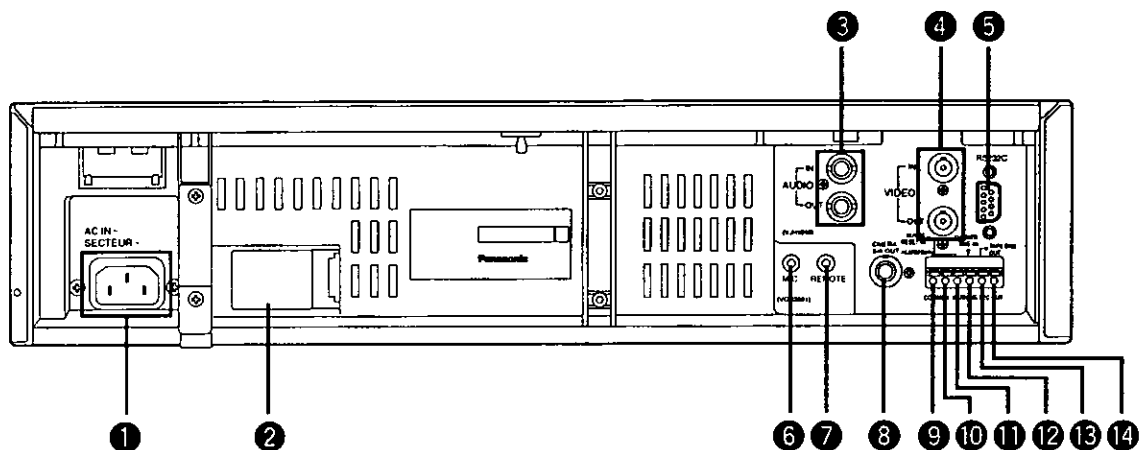
This is used to eject the video cassette.

20 REC REVIEW button

When the button is pressed during recording, the tape runs temporarily in the reverse direction, and after the recorded section has been played back, the unit is returned to the recording mode.

21 REC button

Recording starts when this button is pressed.

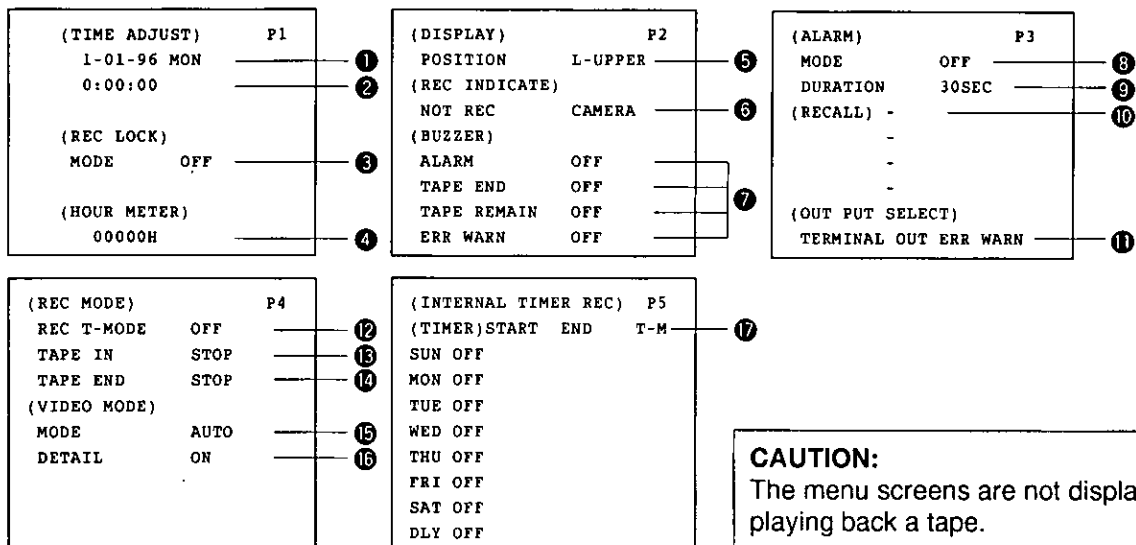


- 1 AC IN connector**
Connect the supplied power cord to an AC outlet.
- 2 Battery installation area**
Install the battery in this area. See "Lithium Battery" on page 2.
- 3 Audio input/output connectors**
Audio input/output connectors (phono jacks)
- 4 Video input/output connectors**
Video input/output connectors (BNC); connect the input connector to the video camera, etc. and the output connector to the TV monitor, etc.
- 5 RS-232C connector**
This enables the basic functions of the VTR to be operated using a personal computer, etc.
- 6 MIC input jack**
Input jack (mini-jack) for an external microphone. This jack has precedence when signals are supplied simultaneously to this jack and the audio input connectors.
- 7 REMOTE control connector**
For connecting the AG-A11 remote controller which is available as an optional accessory.
- 8 Camera switching output connector**
Camera switching output connector; connect it to the frame switcher.
- 9 Alarm input connector**
Alarm recording input connector; connect it to the external sensor.
- 10 COMMON terminal**
- 11 Alarm reset input connector**
Input connector for releasing alarm recording; a +4 to +14V DC voltage is required.
- 12 REC INPUT connector**
When signals are input to this connector, the following operations are performed depending on the setting of SW6 in Fig. 1 (see page 21).
SW6 OFF: When signals are supplied to the REC IN connector, the power is automatically turned on, and recording is performed. When the signals are no longer supplied, the power is automatically turned off.
ON: When signals are supplied to the REC IN connector, turning on the power causes recording to be performed.
- 13 Tape end output connector**
When the cassette tape comes to its end during recording, the alarm device installed externally is activated.
- 14 WARNING/REC output connector**
When trouble has occurred in the unit, the alarm device installed externally is activated.

Menu Screens

One of the menu screens appears on the TV monitor when the MENU/REC LOCK switch is set to MENU. The display returns to the regular screen when this switch is set to OFF.

- When a menu screen has appeared, the items are set using the page, shift and set buttons.
- Advance through the pages (page up) of the menu screen using the page button.
- Move the items (downward or toward the right) using the shift button.
- Change the items (increment or decrement the values) using the set button.



CAUTION:
The menu screens are not displayed while the unit is playing back a tape.

MENU SCREEN 1

In addition to the date and time display and the recording mode lock setting which appear on the TV monitor, the hour meter is displayed on Menu Screen 1.

- ① **Date setting (see page 10)**
- ② **Time setting (see page 10)**
- ③ **Recording mode lock**
ON: LOCK on the front display tube lights up, and all operations except for REC REVIEW are prohibited while recording is in progress.
- ④ **Hour meter (see page 20)**
This indicates the unit's total operation time (the cumulative total for the cylinder rotation time).

MENU SCREEN 2

The time/date display position, monitor screen blue display and buzzer settings are performed on Menu Screen 2.

- ⑤ **Display position selection**
This selects the position where the date and time are to be displayed on the TV monitor.
(L-UPPER → R-UPPER → L-BOTTOM → R-BOTTOM → CENTER → OFF)
 - ⑥ **Blue display**
This sets a blue display on the monitor screen at all times except while recording or playback is in progress.
BLUE: The display on the monitor screen is blue at all times except while recording or playback is in progress.
CAMERA: The pictures from the video input connector are shown on the monitor screen at all times except while play-back is in progress.
 - ⑦ **Setting of the buzzer sound**
ALARM: The buzzer sounds once alarm recording is performed.
TAPE END: When the tape end is reached in the recording mode, the buzzer sounds while the tape is at the end.
- TAPE REMAIN:** The buzzer sounds when there is only about 3% (with an NV-T120 tape) of the tape remaining before the end is reached in the recording mode.
ERR WARN: The buzzer sounds when the unit is set to the warning status.
- To release the buzzer:**
ALARM: Release alarm recording.
TAPE END: Transfer the mode from the tape end or press the STOP button.
TAPE REMAIN: Transfer the mode (but not to PAUSE or REC REVIEW) from the recording mode or press the REC button.
ERR WARN: Release the warning status.
- When TAPE END and TAPE REMAIN have been set to ON, END and REMAIN flash on the display tube at the same time as the buzzer sounds. They cease flashing when the buzzer is released.

MENU SCREEN 3

The alarm recording mode is set on Menu Screen 3.

- ⑧ **Setting of alarm recording and recording time mode during alarm recording (see page 17)**
When there is an alarm input during recording in the time lapse mode, the recording time mode is switched to the designated mode (2H/6H), and the details of the alarm status are faithfully recorded.
- ⑨ **Alarm recording duration setting**
This sets the time allowed to elapse from the start of alarm recording until its end. This time can be set individually from 30 sec. to 10 min.
(30 SEC → 1.0 MIN → 2.0 MIN → 3.0 MIN → 5.0 MIN → 10 MIN → CONTINUE → MANUAL)
CONTINUE: Alarm recording continues until the tape end.
MANUAL: Alarm recording is performed while the alarm input continues.

MENU SCREEN 4

The position of the display on the TV monitor and VTR modes are selected on Menu Screen 4.

- ⑫ **Recording time mode selection**
When recording starts, the set time mode is always established.
OFF: The time mode can be set as desired using the time mode button on the VTR's sub panel. The mode can be changed even during recording.
2H: 2-hour mode (compatible with the standard mode of ordinary VTR's).
6H: 6-hour mode (compatible with the standard mode of ordinary VTR's).
L12H/L24H/48H/72H/96H/120H/168H: L12-/L24-hour mode (linear slow recording)
24-/48-/96-/120-/168-hour mode (time lapse recording)
- ⑬ **Selection of VTR operation when cassette is inserted**
STOP: Stop mode
REC: Simply by inserting the cassette tape, recording is started automatically.
REW ▶ REC: When the cassette is inserted, it is first rewound to the start of the tape and then recording is started automatically.
- ⑭ **Selection of operation when tape end is detected during recording (see page 16)**
STOP: Stop mode
REW: The tape is automatically rewound to the start where it stops.
REPEAT: The tape is automatically rewound to the start, and recording is repeated.
EJECT: The tape is ejected.
- ⑮ **Video signal mode**
This selects the operation of the color/black-and-white automatic selector circuit.
AUTO: The circuit automatically identifies the type of video input or playback signals, and selects the color or black-and-white mode accordingly.
COLOR: The color mode is forcibly established.
B_W: The black-and-white mode is forcibly established.
Notes:
• When color signals were recorded in the forced black-and-white mode, use the same mode when these signals are to be played back.
• When playing back a tape with consumer VTR, use color signals as the recording signals, and use "AUTO" or "COLOR" as the video modes.
- ⑯ **Playback picture detail selection**
The playback pictures can be given a softer look.
OFF: The playback pictures appear softer.
ON: Regular mode

MENU SCREEN 5

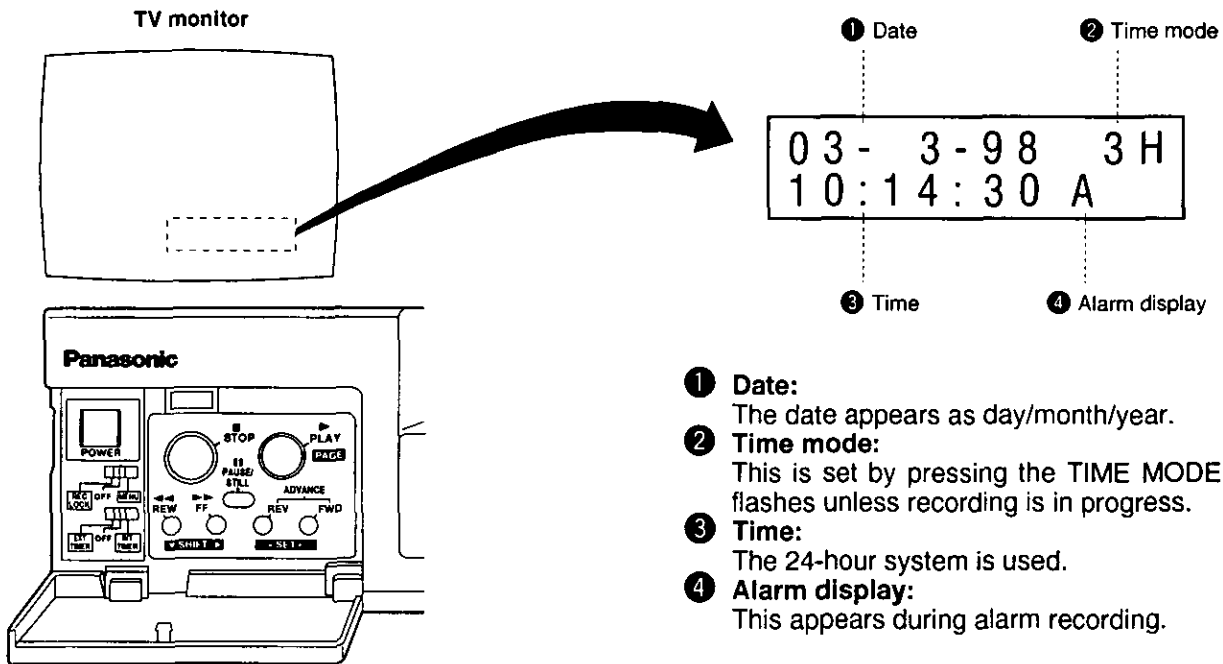
The internal timer recording modes are set on Menu Screen 5.

- ⑰ **Internal timer recording mode setting (see page 14)**
This sets the weekly timer or daily timer recording mode. (OFF/ON)
OFF: Internal timer recording is not set.
ON: Internal timer recording is set.

Note:
Internal timer recording does not operate when the date and time have not been set.

Date and Time Settings

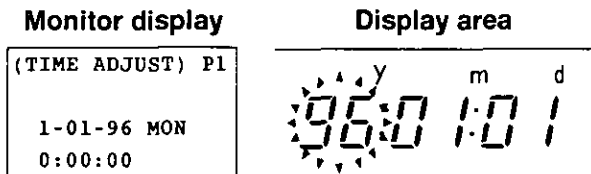
This unit comes with a time/date generator which enables the date and time to be superimposed on the recording. When the power is switched on, the date, time of the day and time mode are displayed (in the case of a regular screen).



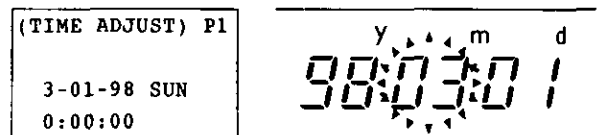
- ① **Date:**
The date appears as day/month/year.
- ② **Time mode:**
This is set by pressing the TIME MODE button. It flashes unless recording is in progress.
- ③ **Time:**
The 24-hour system is used.
- ④ **Alarm display:**
This appears during alarm recording.

Example: Setting the date and time to Tuesday, March 3, 1998 at 3:25.
The time mode is set to 24 hours.

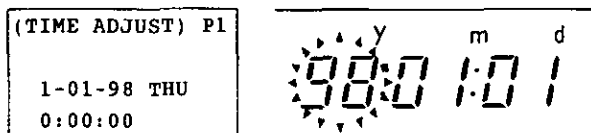
- ① Set the MENU/REC LOCK switch to MENU. Menu Screen 1 appears, and the year digits flash.



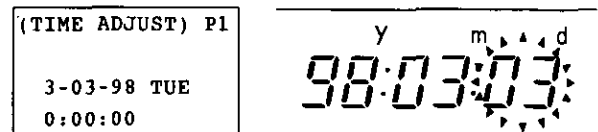
- ③ When the shift (▷) button is pressed, the month digits flash. Press the SET (+, -) buttons to set the month to "3".



- ② Press the SET (+, -) buttons to set the year to "98".



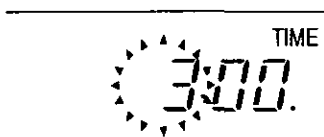
- ④ When the shift (▷) button is pressed, the day digits flash. Press the SET (+, -) buttons to set the day to "03".



- The year can be set from 1996 to 2011.

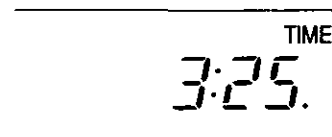
- 5 When the shift (▽) button is pressed, the hour digits flash. Press the SET (+, -) buttons to set the hour to "3".

```
(TIME ADJUST) P1
3-03-98 TUE
3:00:00
```



- 7 When the MENU/REC LOCK switch is set to OFF, the clock automatically starts running from time and date set.

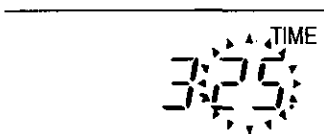
```
(TIME ADJUST) P1
3-03-98 TUE
3:25:00
```



For the seconds, "00" is set. Even when the switch is set to MENU, the time will keep advancing if it has not been changed.

- 6 When the shift (▷) button is pressed, minute digits flash. Press the SET (+, -) buttons to set the minutes to "25".

```
(TIME ADJUST) P1
3-03-98 TUE
3:25:00
```



- To clear the date and time display, set POSITION under (DISPLAY) on Menu Screen 2 to OFF.
- Even if the power should fail for a period of up to one week, the date, time and time mode display (internal timer setting alarm recall) data are stored in the memory (but only if power has been supplied continuously to the unit for 3 or more days). When the unit has just been purchased or when it has not been used for along time, the data is not stored in the memory and the display shown below appears.

```
(TIME ADJUST) P1
1-01-96 MON
0:00:00
```

All the internal timer settings are set to OFF, and the alarm recall display is cleared.

- For the date setting, the unit automatically adjusts for leap years.
- Due to temperature fluctuations and other factors, the clock time may run fast or slow with a monthly error of up to ±60 seconds. This is not indicative of malfunctioning. Reset the time at regular intervals.

Summer time setting

When the SUMMER TIME button is pressed with a small screwdriver, the time is automatically advanced by one hour, and at the same time "SUM" appears on the display. When the button is pressed again, the time returns to its original setting, and at the same time "SUM" disappears from the display.

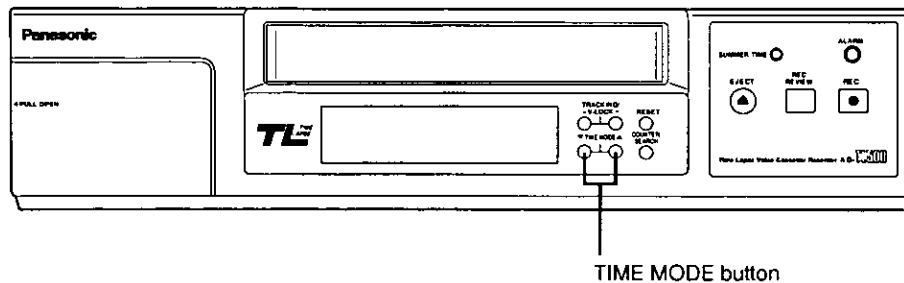
- The following phenomenon occurs when the date and time are set with the summer time setting.

<Example> 12 - 31 - 1998 (THU) 23:22:00

When the "hour" has been changed, be absolutely sure to check that the date is correct.

"Hour" setting	Date	Example
23 → 0	Moved up by 1 day	1 - 1 - 1999 (FRI) 0:22:00
0 → 1	Moved down by 1 day	12 - 31 - 1998 (THU) 1: 22:00
1 → 0	Moved up by 1 day	1 - 1 - 1999 (FRI) 0:22:00
0 → 23	Moved down by 1 day	12 - 31 - 1998 (THU) 23:22:00

Time Mode Selection



Refer to the table given below to select the mode that suits the intended purpose of use.

Mode	Recording enable time (in hours)			Video recording interval (in seconds)	Audio recording	Camera switchover interval (in seconds)	Tape replacement standard (recording times)
	120-minute tape	90-minute tape	60-minute tape				
2H	2	1.5	1	1/60	Possible	1/30	----
6H	6	4.5	3	1/60	Possible	1/30	----
L12H	12	9	6	0.12	Possible	0.12	50
L24H	24	18	12	0.22	Possible	0.22	50
24H	24	18	12	0.22	Not Possible	0.22	50
48H	48	36	24	0.42	Not Possible	0.42	25
72H	72	54	36	0.62	Not Possible	0.62	20
96H	96	72	48	0.82	Not Possible	0.82	20
120H	120	90	60	1.02	Not Possible	1.02	15
168H	168	126	84	1.42	Not Possible	1.42	10

Notes on operation

- This unit is designed with the NV-T120 cassette tape as a reference.
- Depending on the type of video cassette used, the recordable time will differ.
- The actual recording enable time will be slightly longer than the "Recording enable time" given in the above table although this will depend on the tape used.
For instance, it is possible to record for about 26 hours using a 120-minute tape in the 24H mode.
- The L12-hour to 168-hour modes are time lapse modes. Pictures are recorded with frames skipped to enable lengthy recording and playback.
- A tape recorded in a time lapse (L12-hour to 168-hour) mode can be played back in quick motion in the 2-hour mode.
- A tape recorded in the 2-hour mode can be played back in slow motion using the time lapse (L12-hour to 168-hour) mode.
- A tape recorded in the 6-hour (or 2-hour) mode cannot be played back in the 2-hour (or 6-hour) mode.
- When a tape recorded on the 6-hour mode is played back in another mode, color program is played back in black and white, but this is not a malfunction.

Selecting the cassette tape

- The unit is designed as a product required to exhibit high reliability in surveillance, security, monitoring, etc. In order to maintain its recording reliability, it is recommended that the Panasonic video tapes listed below be used.

- <VHS tapes>
- NV-T120
 - NV-T90
 - NV-T60

- Avoid using 160-minute tapes with this unit.

Recording Procedure

- 1 Switch on the power to the connected equipment.
- 2 Adjust so that the images of the video cameras appear properly on the TV monitor.
- 3 Check that the date and time displayed on the TV monitor have been adjusted properly.
- 4 Insert a cassette tape into the unit after checking that the tab on the cassette is intact.
- 5 Set the timer recording, auto repeat recording, alarm recording, restoration-of-power-after-failure recording or other recording function.
- 6 Select the time mode for the recording.
- 7 Press the REC button.

Notes on operation

- If the PAUSE/STILL button is pressed during recording, the unit is set to the pause mode, and after about 5 minutes in this mode it is transferred to the stop mode.
- Neat frame-to-frame continuity is not achieved if the recording mode is set again after the PAUSE/STILL button is pressed during recording.
- When the MENU/REC LOCK switch has been set to OFF, other operations can be performed during recording.
- When restoration-of-power-after-failure recording is performed, recording can be continued in the same time mode even if the power should fail provided that the power is restored within about one week. (This applies only if the power has been supplied continuously for 3 or more days.)
- When performing auto repeat recording or timer recording, do not neglect to conduct the routine inspections.
- When recording images from a black-and-white camera, set the video signal mode on Menu Screen 4 to B_W.
- Remove the cassette tape if the unit is to be left standing for a prolonged period of time.
- When the power supply is interrupted during recording (with the power switch still ON), a non-recorded portion will be made in the beginning of the tape travel, or the tape will be over-recorded at its ending section. But this is not a malfunction.

Tips For Better Recording

In order to ensure greater reliability in monitoring, surveillance and other continuous operations lasting many hours, this unit comes with some safety functions for recording. Read the following descriptions of these functions before proceeding to operate the unit.

Recording mode lock

There are two ways, as described below, to maintain the recording mode during recording by disabling the operations of the power switch as well as the TIME MODE and operation buttons.

- 1 Set the MENU/REC LOCK switch to REC LOCK.
- 2 Set REC LOCK on Menu Screen 1 to ON. (See Note)

The following switch and connectors are operational even if the unit is set to REC LOCK.

- Alarm input connector, alarm reset connector
- REC REVIEW

Recording check

When the REC REVIEW button is pressed during recording, the tape runs temporarily in the reverse direction, and the recorded section is played back. This function can be used to check the daily operation of the equipment in the system.

Restoration-of-power-after-failure recording

When a power failure has occurred during recording, the unit automatically starts recording if the power is restored within approximately one week.

- When the power fails, the tape "losing" safety protection function is activated to protect the video heads and video tape.

Before power is restored	After power is restored
• Stop, play, fast forward	Stop mode is established.
• Recording	Recording mode is established.
• Auto rewind • Auto rewind during auto repeat recording	Unit is returned to the mode applying before the power failed.

Note:

Once the recording mode is established, recording cannot be released until REC LOCK on Menu Screen 1 is set OFF.

Timer Recording

There are two methods of timer recording: one uses the internal timer and the other uses an external timer.

Internal timer recording

Start time and stop time

Bear in mind the following points when setting these times.

- **When the stop time is set later than the start time:**
Recording will commence at the start time on the day concerned and stop at the end time on the same day.
Example: 8:30 <17:00
- **When the start time is set later than the stop time or the start time and stop time for weekly recording (weekly timer) are the same:**
Recording starts at the start time on the day concerned and ends at the stop time on the following day.
Example: 17:00 <8:30
- **When the start time and stop time are the same (for weekly recording):**
Recording starts at 8:30 on the day concerned and ends at 8:30 on the following day.
Example: 8:30 = 8:30
To record for an entire day, set the start time and stop time to 00:00.

Notes:

- Weekly recording (weekly timer) can be set by the day of the week.
- When (INTERNAL TIMER REC) on Menu Screen 5 is set to OFF for both the weekly timer and daily recording (daily timer), nothing appears for the start or stop time. Timer recording is considered not to be set.

Internal timer recording operation

- 1 Check that a video cassette with its tab intact has been inserted.
- 2 Check that the TV monitor shows the correct present time.
- 3 Set the MENU/REC LOCK switch to MENU to display the menu screens. Press the page button so that the INTERNAL TIMER REC timer setting screen appears on the TV monitor.

```
(INTERNAL TIMER REC) P5
(TIMER)START END T-M
SUN OFF
MON OFF
TUE OFF
WED OFF
THU OFF
FRI OFF
SAT OFF
DLY OFF
```

VTR operations after the settings

- The unit's power is turned off, and even if other buttons are pressed, their operations are not accepted.
- When the start time and stop time have not been set, INT flashes on the display.
- Alarm recording is performed in the event of an alarm input even when the unit is in the timer recording standby mode. When alarm recording is completed, the power is switched off and the unit is set to the timer recording standby mode.
- Even when the power should fail, the start and stop times set for timer recording are stored in the memory provided that the power is restored within a week or so (but only if power has been supplied continuously to the unit for 3 or more days).
- When the unit has just been purchased or when it has not been used for a long time, the start and stop times are not stored in the memory.

Releasing the internal timer mode

Set the TIMER MODE (REC MODE) switch to OFF to clear INT on the display.

Note:

- Since it takes some moments for recording to start, set the start time for timer recording one minute earlier.

- 4 Set the operation times of the internal timer.
 - For details on the settings, refer to the sections on "Daily timer" or "Weekly timer." (See page 15.)
- 5 Upon completion of the settings, set the MENU/REC LOCK switch to OFF. The regular screen is restored.
- 6 Set the TIMER MODE (REC MODE) switch to INT TIMER so that INT lights on the display. When a cassette has not been inserted, the timer has not been set or a cassette with a broken out tab has been inserted, INT on the display flashes. When the recording time arrives, nothing will be recorded.

Daily Recording (Daily Timer)/Weekly Recording (Weekly Timer)

Example: When recording from 8:30 to 12:00 from Sunday through Thursday and from 9:00 to 12:00 on Fridays and Saturdays

- Check that OFF or ON for Sunday (SUN) is flashing. If the setting is OFF, press the set (+, -) buttons to display ON.

```
(INTERNAL TIMER REC) P5
(TIMER)START END T-M
SUN ON
MON OFF
```

- When the shift (▷) button is pressed, the setting moves to the start time and the "hour" digits flash.

```
SUN ON 0:00 0:00
```

- Press the set (+, -) buttons to display "8."

```
SUN ON 8:00 0:00
```

- When the shift (▷) button is pressed, the "minutes" digits flash.

```
SUN ON 8:00 0:00
```

- Press the set (+, -) buttons to display "30."

```
SUN ON 8:30 0:00
```

- When the shift (▷) button is pressed, the "hour" digits flash.

```
SUN ON 8:30 0:00
```

- Press the set (+, -) buttons to display "12."

```
SUN ON 8:30 12:00
```

- When the shift (▷) button is pressed, the "minutes" digits flash.

```
SUN ON 8:30 12:00
```

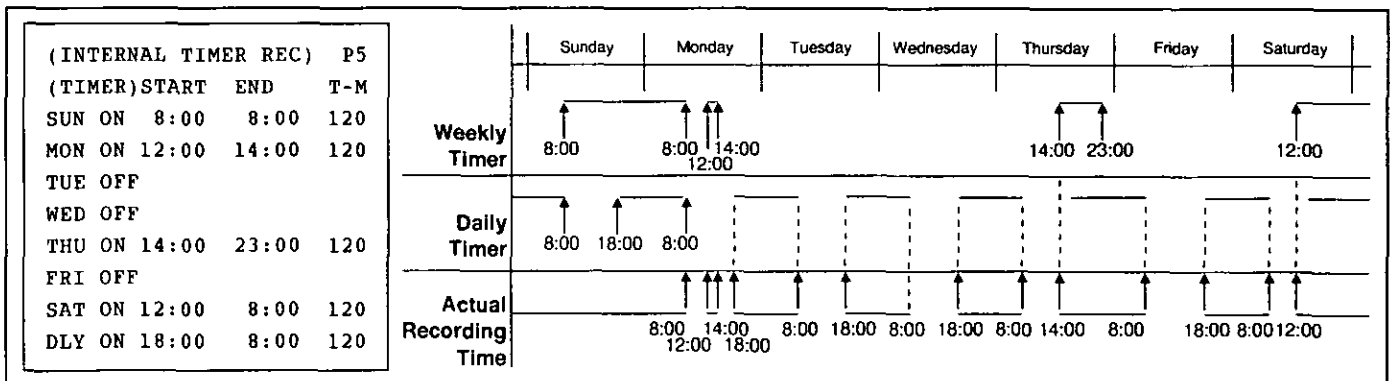
- Press the set (+, -) buttons to display "00." Press the shift (▷) button and set the recording time mode. When the shift (▽) button is pressed, the MON is flashing.

```
SUN ON 8:30 12:00
```

- Following the same procedure in steps 1 to 9, display the start time of "8:30" and stop time of "12:00" from Monday (MON) through Thursday (THU). Following the above procedure, set the times for Friday (FRI) and Saturday (SAT) as well. In this way, the timer operation times have been set for each day of the week. The settings for daily recording (daily timer) are also performed following the same steps 1 to 9.

- When daily recording and recording by day of the week are to be conducted together, the timer recording operations will be as shown below when the time settings are as follows.

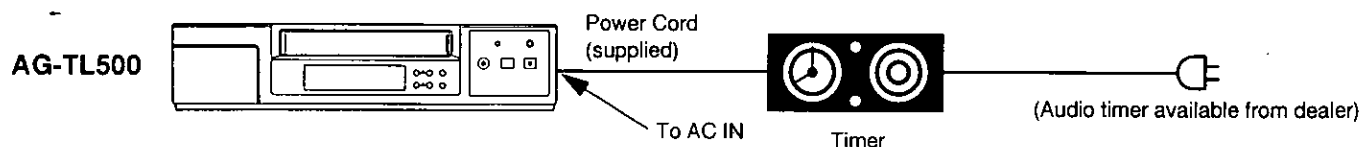
- The setting shown on the screen at the left translates into the weekly and daily timer recording combinations shown below which, in turn, means that the actual recording time on the tape is shown at the bottom.



- The day of the week time settings are displayed, enabling the settings to be checked for each day of the week.
- When more than one mode has been used to set the recording time, the weekly timer recording mode takes precedence over the daily timer recording mode.

External Timer Recording

The unit can be made to record using an external timer to turn on its power.



External timer recording operations

- 1 Check that a video cassette with its tab intact has been inserted.
- 2 Set the TIMER MODE (REC MODE) switch to EXT TIMER so that EXT lights on the display. At the set time, power is supplied from the external timer and the unit is set to the recording mode.
 - If the video cassette tape has not been inserted or if its accidental erasure prevention tab has been broken, EXT will flash on the display, and external timer recording cannot be conducted.
 - Since it takes some moments for recording to start, set the start time for timer recording one minute earlier.
- 3 When setting the EXT TIMER, ensure that the VTR is in waiting the TIME MODE showing in the display.

Auto Repeat Recording/Auto Rewinding

Auto repeat recording: This function automatically rewinds the cassette tape when its end is detected in the recording mode, and it repeats recording from the start of the tape.

Auto rewinding: This function automatically rewinds the tape to the start when the tape end is detected in the recording mode.

- 1 Check that a video cassette with its tab intact has been inserted.
- 2 Set the MENU/REC LOCK switch to MENU to display the menu screens. Press the page button to display Menu Screen 4 on the TV monitor.

(REC MODE)		P4
REC T-MODE	OFF	
TAPE IN	STOP	
TAPE END	STOP	
(VIDEO MODE)		
MODE	AUTO	
DETAIL	ON	
- 3 Press the shift (▽) button to move the flashing to TAPE END. Press the set (+ or -) button to display REPEAT for auto repeat recording or REW for auto rewinding.

TAPE END REPEAT
- 4 “↻” lights on the display.
 - If auto rewinding has been selected, “↻” is cleared.
- 5 Upon completion of the settings, set the MENU/REC LOCK switch to OFF. The regular screen is restored.

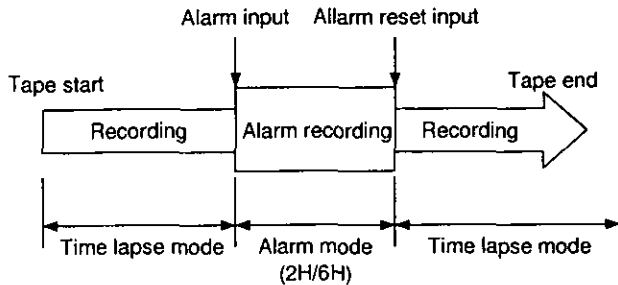
Notes of operation

- When auto repeat recording is to be performed, do not neglect the routine inspections. Since the image deteriorates when the same tape is used over and over again for auto repeat recording, replace the tape with a new one. For the general guideline as to when the tape should be replaced, refer to page 12.
- Alarm signals are not accepted during auto rewinding, and so alarm recording is not performed.
- If an alarm signal is supplied during auto repeat recording, the alarm recording mode is established. If the tape then reaches its end, auto repeat recording is performed but alarm recording is released.

Alarm Recording (Emergency Recording)

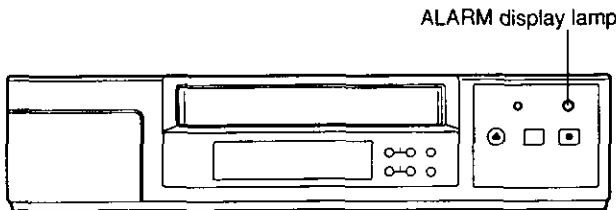
When an emergency occurs at the monitoring site during prolonged monitoring and recording, the alarm function is automatically triggered, and alarm recording is performed.

Principle of alarm recording

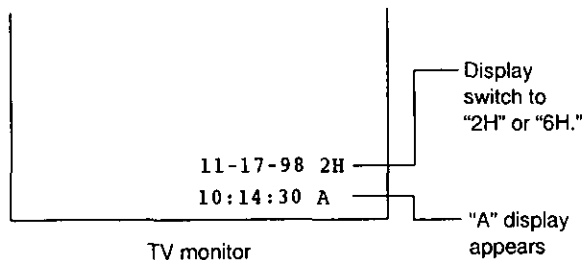
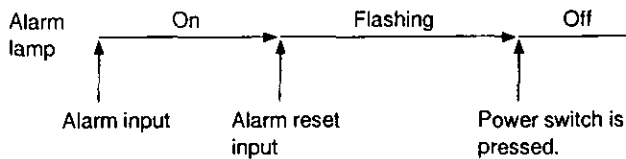


- When an alarm signal is supplied by an alarm sensor (door or intercom switch, etc.) during recording in a time lapse mode, the recording speed is switched to the 2- or 6-hour mode and the details of the state of emergency are faithfully recorded.

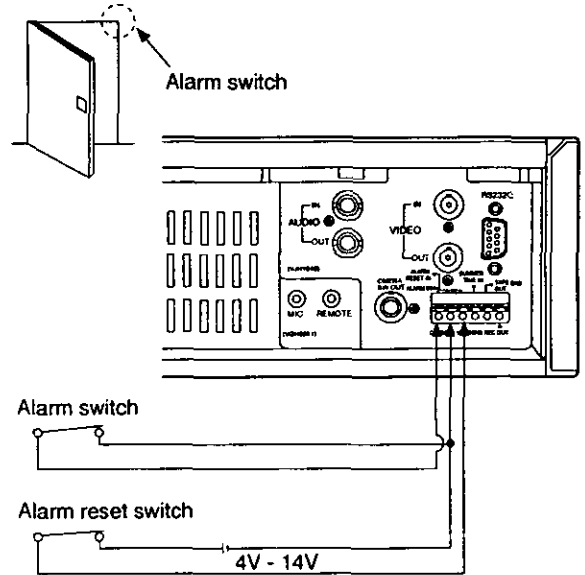
Alarm and display methods during alarm recording



- When an alarm signal is supplied, the alarm display lamp functions as follows.



Connecting the alarm input connector



- Alarm recording starts when the alarm switch is set on. When the alarm reset switch is set ON after recording has started, alarm recording is released and operation is returned to the original time lapse recording mode.
- Alarm recording can be released by pressing the STOP button during alarm recording. However, it cannot be released even by pressing the STOP button if the MENU/REC LOCK switch is at REC LOCK or INT is lighted on the display.
- Alarm recording can be automatically reset without supplying the alarm reset input signal. The reset time can be set for 30 sec, 1.0, 2.0, 3.0, 5.0 or 10 minutes.
- Another option is alarm recording only while the alarm input signal is supplied.
- Alarm recording is also possible as far as the end of the tape.

Alarm recording operation

- 1 Check that a video cassette with its tab intact has been inserted.
- 2 Set the MENU/REC LOCK switch to MENU to display the menu screens. Press the page button to display the alarm recording setting screen (Menu Screen 3) on the TV monitor.

(ALARM)		P3
MODE	OFF	
DURATION	30SEC	
(RECALL)	-	
	-	
	-	
	-	

- 3 Press the set (+ or -) button to display 2H or 6H for MODE.

MODE	2H
------	----

- If TAPE END on Menu Screen 4 has been set to REPEAT, the auto repeat recording mode is established when the tape comes to the end.
- With emergency recording, set the unit to the POWER OFF or STOP mode.

Alarm Recall

The time when the alarm signal was input can be ascertained on the TV monitor by checking the alarm input time in the RECALL item on Menu Screen 3.

- 1 Set the MENU/REC LOCK switch to MENU to display the menu screens. Press the page button to display the alarm recording setting screen (Menu Screen 3) on the TV monitor.
- 2 Upon completion of the settings, set the MENU/REC LOCK switch to OFF. The regular screen is restored.

(ALARM)		P3
MODE	2H	
DURATION	30SEC	
(RECALL)	10-01-97 20:19	
	09-14-97 12:05	
	08-30-97 08:40	
	06-25-97 04:14	

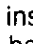

- The alarm recall function stores up to 4 alarm input times in the memory and displays them on the screen. If there have been more than 4 inputs, they will be deleted from the screen in sequence starting with the oldest data.
- When the RESET button is pressed while Menu Screen 3 is on the display, the alarm recall memory can be cleared.

Playback Procedure

Before operating the unit, check that the internal/external timer recording displays (INT/EXT) have been cleared from the display. (If INT or EXT is displayed, set the TIMER MODE switch to OFF to clear it.)

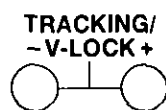
- ① Switch on the power to the unit and TV monitor.
- ② Insert the recorded cassette tape into the unit.
- ③ Select the time mode.
- ④ Press the PLAY button.

Notes on operation

1. Bear in mind the following points when playing back parts of a tape recorded in a time lapse mode (L12H – 168H).
 - When the tape is played back in the same mode, noise resembling dropouts will appear on the screen: this is not indicative of malfunctioning.
 - The picture may oscillate in the vertical direction: this is not indicative of malfunctioning.
 - When a tape is played back in the same time mode, the picture may shake slightly sideways: this is not indicative of malfunctioning.
 - Turn Quasi-V insertion ON () or OFF () with the FWD ADV button. Dancing can be minimized when a tape is played back in a time lapse (except 2- or 6-hour) or linear slow mode.
2. Bear in mind the following points when playing back parts of a tape recorded in a VHS mode (2 or 6 hours).
 - When a tape is played back in a time lapse mode, slight noise may appear at the top and bottom of the screen: this is not indicative of malfunctioning.
 - When the tape is played back in the time lapse mode (L12H – 168H) mode, the picture may oscillate in the vertical direction: this is not indicative of malfunctioning.
 - When a tape recorded on the 6-hour mode is played back in another mode, color program is played back in black and white, but this is not a malfunction.
3. When noise has occurred during still-picture playback, press the FWD ADV button to play it out.
4. Bear in mind that if the power cable is disconnected and then re-connected or if the power has been restored after it has failed when the tape was played with EXT indicated on the display by the TIMER MODE switch, the unit will automatically be set from playback to the recording mode.
5. When the PAUSE/STILL button is pressed during playback, the unit is set to the pause mode, and a still picture will appear on the monitor screen. To release this state, press the PAUSE/STILL button again or press the PLAY button. If the unit is kept in the pause mode for more than 5 minutes, it will be set to the stop mode.
6. If the horizontal AFC on the TV monitor is too long or when a video camera with random interlace scanning has been used, the top area of the TV monitor may be distorted: this is not indicative of malfunctioning.

Tracking

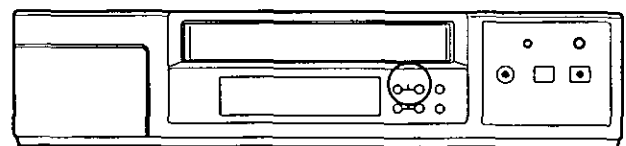
When noise such as that shown below appears on the playback image in the 2- or 6-hour time mode, press the tracking (+ or –) button to minimize the noise.



- For the tracking default setting, press the "+" and "-" buttons together (in the 2- or 6-hour time mode only).
- In the time lapse mode (L12H – 168H), press the "+" or "-" button to adjust the tracking.

Vertical hold adjustment

If the image shakes slightly in the vertical direction during still-picture playback, press the V-LOCK buttons (–, +) to reduce the dancing.



- If the TV monitor has a vertical hold control, adjust that control also.

Routine & Regular Inspection Request

This unit is designed to withstand many hours of operation. Nevertheless, it is recommended that routine inspections be conducted to help ensure trouble-free operation.

CAUTION

Do not forget to conduct the routine inspection with auto repeat recording.

Routine inspection procedure

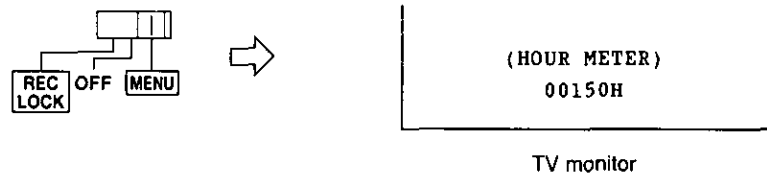
- ① Set the power switches on the unit, video cameras, TV monitor and other equipment connected in the monitoring system to the ON position.
- ② Is the picture on the TV monitor OK?
- ③ Are the date and time displayed on the TV monitor correct?
- ④ Press the REC REVIEW button during the recording and check that the image are being recorded correctly.

Action taken after routine inspections

In the unlikely event of a problem with the unit, turn off the power, take hold of the power plug and disconnect it from the power outlet, and consult with the dealer from whom the unit was purchased.

Regular inspections recommended

This unit has an hour meter which shows for how many hours the VTR has been used. When the MENU/REC LOCK switch is set to MENU, Menu Screen 1 appears on the TV monitor, and the hour meter can be checked. Use the hour meter as a rough guideline to cleaning or replacing the parts inside the unit. The regular screen is restored when the MENU/REC LOCK switch is set to OFF. For further details, consult with your dealer.



RS-232C interface

1. Outline of RS-232C interface

This interface is for enabling the basic functions of the VTR to be operated using a personal computer.

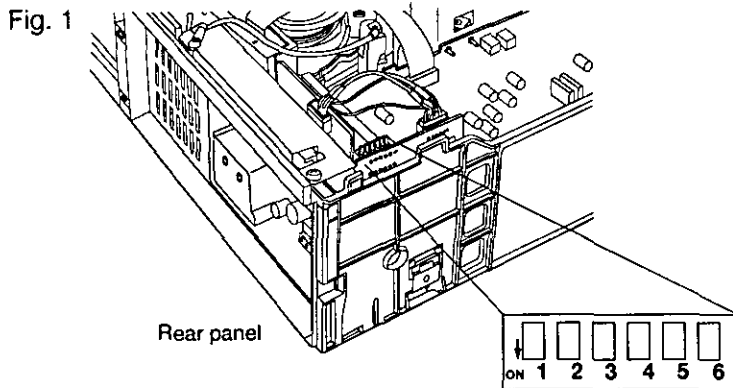
- The D-SUB 9P connector is used to connect the VTR with the personal computer.

2. Hardware specifications

Parameters for communication with personal computer

Synchronous system: Asynchronous system
 Bit length: 7 bits (or 8 bits)
 Stop bit: 1 (or 2)
 Parity: Odd (none or even)
 Baud rate: 9600 bps (or 4800 bps)

Note: Settings in parentheses can be selected using the DIP switches.



SW	ON	OFF
1. DATA BIT	8 BIT	7 BIT
2. STOP BIT	2 BIT	1 BIT
5. SPEED	4800	9600
6. Rec in operation	Rec	Rec-in

Parity

SW3	SW4	ON	OFF
ON		NONE	EVEN
OFF		—	ODD

Note:

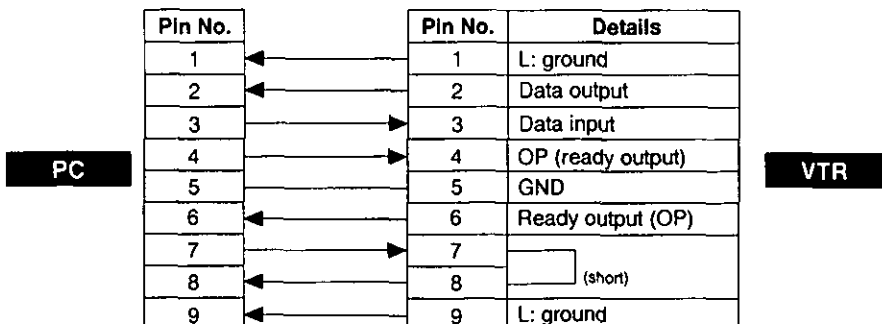
Changes to the switch settings must be made by a trained servicing engineer.

D-DUB 9-pin connector specifications

- Connector: D-DUB 9P, female
- Compatible cable: Straight cable

D-SUB 9P input signals

Pin No.	Abbreviation	Circuit name	Details
1	CD (DCD)	Carrier detection	PC receives this signal.
2	RD (RXD)	Received data	PC receives data.
3	SD (TXD)	Transmitted data	PC sends data.
4	ER (DTR)	Data terminal ready	PC sends this signal.
5	SG (—)	Signal ground	Signal ground
6	DR (DSR)	Data set ready	PC receives this signal.
7	RS (RTS)	Request to send	PC sends this signal.
8	CS (CTS)	Clear to send	PC receives this signal.
9	CI (RI)	Ring indicator	PC receives this signal.



3. Protocol

■ Receiving format (personal computer → VTR)

General format: stx command [:data] [:command [:data]] etx

stx: 02h (HEX)

; (semicolon): 3Bh command delimiter

command: ccc

ccc: command (3 ASCII characters)

: (colon): 3Ah parameter delimiter

data: parameter (any number: based on command)

etx: 03H

In some cases, the format does not contain what is enclosed in the square brackets.

■ Example

stxO S Petx (stop command)

02,4F,53,50,03 (stop command in HEX notation)

■ Sending format (personal computer ← VTR)

• Command receive verification

ack (with error-free receipt of command)

nak e (when communication error has occurred)

e: error code

1: parity error

3: framing error

4: overrun error

• Response message

General format: stx message [:data] etx

• Error message (when error has occurred in protocol or command)

General format: stx error message etx

ack: 06h

nak: 15h

stx: 02h

message: mmmm

mmmm: message (any number of ASCII characters)

: (colon): 3Ah parameter delimiter

data: parameter (any number)

error message: ERnnn (error code)

nnn: 3-digit number

001: Invalid command (not supported)

002: Invalid parameter 003: Receive buffer overflow

004: Defective connection

etx: 03h

■ Explanatory description

- As soon as the receive buffer becomes full, receive buffer overflow is returned, and subsequent commands are canceled.
- The ACK or NAK response must commence within 20ms.
- When a new command has been received during the processing of a non-interruptible command, the receive verification code is returned within 20ms, after which the applicable ERROR code is returned, and the processing of the previous command is resumed.
- When it takes time for execution to be completed, it is to be possible for the next command to be processed (in principle, after the ACK response) without waiting for the completion of the said execution. (This applies only to commands whose processing can be interrupted.)
- When a command which does not entail a transfer of the deck mode is received, the message of having completed the received command is returned regardless of the deck mode.

■ Table of commands

Command	Command parameter	Completion message	Interruptible
			○: Yes ×: No
Counter reset	CRT	CRT	×
Eject	OEJ	OEJ	×
Fast forward	OFF	OFF	×
Pause/still	OPA	OPA	×
Play	OPL	OPL	×
Record	ORC	ORC	×
Rewind	ORW	ORW	×
Stop	OSP	OSP	×
Field advance (+)	OAF	OAF	×
Field advance (-)	OAR	OAR	×
Power ON	PON	PON	×
Power OFF	POF	POF	×
Recording check	ORR	ORR	×
Tracking (+)	ZTU	ZTU	×
Tracking (-)	ZTD	ZTD	×
Auto tracking	ZTA	ZTA	×
Time setting	LTJ	LTJ	×
Time mode switching	LTM: *	LTM	×
Key lock setting	RML: **	RML	×
Display switching	LFI: *	LFI	×
Version request	QRV	VER a. ee date	×
Communication check	RCK	RCK	×
Counter data request	QCD	QCD fwghmmss	×
ID request	QID	AG-TL ****	×
Status request	QOP	***	×
All status request	QOS	OPS dddddd	×
Time mode request	QLT	LTM*	×
Display status request	QFI	LFI*	×
Key lock request	QRM	RML*	×
ACK return ON	RAN	RAN	×
ACK return status request	QRA	RA*	×
Automatic send setting command	OCS: *	OCS	×
Automatic sent setting request	QSC	OCS*	×
Category request	QIC	1	×

Note: With ACK return ON, [ACK] is returned from the VTR with the LTM and QID commands only.

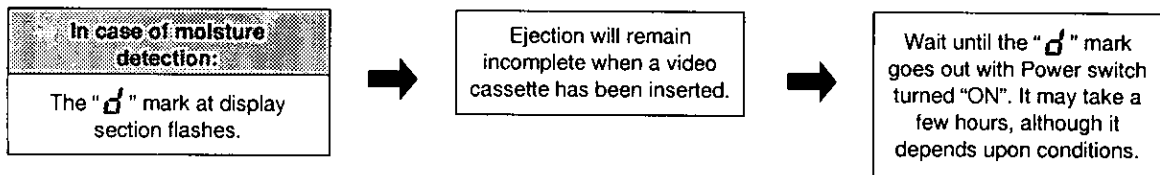
Troubleshooting

Trouble with installation

- | | |
|---------------------|---|
| No power. | • Is the power plug inserted properly into the AC outlet? |
| No picture. | • Is the unit connected properly with the TV, video cameras, etc.?
• Are any of the connecting cables making faulty contact? |
| Indistinct picture. | • Has the focus on the video cameras been adjusted correctly? |

Trouble with functions or operation

- | | |
|--|---|
| Nothing happens even when operation buttons are pressed. | • Is the video cassette loaded?
• Is the MENU/REC LOCK switch at OFF?
• Has the video cassette been inserted properly? Press the EJECT button to eject the cassette and insert properly.
• Has INT lighted on the display?
• Has the mode lock been applied through control exercised by the RS-232C interface? |
| "d" mark is flashing. | • The unit will not operate because its safety protection function has been triggered. Wait until the flashing disappears. |



- | | |
|---|---|
| Date and time display data has not been stored in memory when the power failed. | • Has the unit's power plug been disconnected from the power outlet for a long time?
Insert the unit's power plug into the power outlet and supply power continuously for at least 3 days to the unit. |
|---|---|

Trouble with recording

- | | |
|--|--|
| Tape can be played, fast forwarded or rewind but not recording results. | • Is the tab on the video cassette broken? |
| Recording has stopped. | • Is the video cassette tape at its end?
• Have more than 5 minutes elapsed since the PAUSE/STILL button was pressed during recording?
• Are the routine inspections being carried out? If this phenomenon keeps recurring, it means that some failure or other is to blame. Consult with your dealer. |
| The power has been restored after a power failure but recording does not automatically resume. | • Has the power failure lasted a long time (more than 1 week)?
Set the timer recording switch to EXT to ensure that the unit is set to the recording mode even after a prolonged power failure. |
| Recording cannot be stopped. | • First set the MENU/REC LOCK switch to OFF and then operate.
• Is REC LOCK on Menu Screen 1 at OFF?
• Has the mode lock been applied through control exercised by the RS-232C interface? |
| 1-week program timer recording cannot be conducted properly. | • Are the date and time on the regular displays correct? (See page 10) |
| One or more cameras do not record when a multiple number of cameras are used. | • Turn the time adjustment control on the frame switcher, and adjust it to a setting which is longer than the video recording duration in the recording time mode.
• Connect a camera switching cable between the unit and frame switcher. |
| No auto repeat recording. | • Has the stop button been pressed during auto rewinding? |

No timer recording.	<ul style="list-style-type: none"> • Are the present time and start/stop times for the timer recording correct? • Has INT or EXT lighted on the display?
No alarm recording.	<ul style="list-style-type: none"> • Have the alarm sensors and alarm input connectors been connected properly? • Has the alarm recording mode been selected on Menu Screen 3?
Trouble with playback	
Noise sometimes appears on the playback pictures.	<ul style="list-style-type: none"> • Adjust the tracking buttons. (See page 19)
Dirty playback picture.	<ul style="list-style-type: none"> • The video heads may be dirty or clogged or they may have reached the end of their service life. Consult with your dealer.
"Snow" on playback picture.	<ul style="list-style-type: none"> • The video heads may be dirty or clogged. Consult with your dealer.
While a multiple number of cameras are being used, two scenes appear as the playback picture when the cameras are switched.	<ul style="list-style-type: none"> • Has the camera switching signal cable been connected properly?
Recording starts when the unit's power plug is connected to or disconnected from the power outlet.	<ul style="list-style-type: none"> • Has INT or EXT lighted on the display?
No playback because recording starts when the main power for the connected equipment is set to ON.	<ul style="list-style-type: none"> • Has INT or EXT lighted on the display?

Input/Output Terminal Signal Level

Terminal	Signal Level	Note
Alarm Input/REC Input		LOW Input
Alarm Reset Input		HIGH Input
Camera Switching Output		$V_{OH} = 11-13V (5.6k\Omega)$ $V_{OL} = 0-0.6V (max. 3 mA)$
Tape end output		$V_{OH} = 11-13V (4.7k\Omega)$ $V_{OL} = 0-0.6V (max. 3 mA)$
Warning output		$V_{OH} = 11-13V (4.7k\Omega)$ $V_{OL} = 0-0.6V (max. 3 mA)$

Specifications

Power Source:	120 V AC, 50 – 60 Hz
Power Consumption:	17 W

General

Operating

Temperature: 41°F to 104°F (5°C to 40°C)

Operating

Humidity: 35% to 80%

Dimensions: 16-15/16"(W)×3-15/16"(H)×11-7/16(D)
430×100×290.5 mm

Weight: Approx. 9.9 lbs (4.5 kg)

Video Recording/ Playback

System: 4 rotary heads, Azimuth recording system, VHS format

Tape Speed: 1-5/16 ips (2-hour mode)
7/16 ips (6-hour mode)

Tape Format: VHS tape

Recording Time: 2 hours (with 120-minute tape/2H mode)

FF/REW Time: Less than 3 min. (with 120-minute tape)

Video

Television

System: EIA Standard (525 lines, 60 fields)
NTSC color signal

Modulation

System: Luminance; Frequency modulation recording
Color signal; Converted subcarrier phase shift recording

Video Input

(BNC): 1.0Vp-p, 75 ohms

Video Output

(BNC): 1.0Vp-p, 75 ohms, unbalanced
S/N: B/W mode; 45 dB (2H mode)
Color mode; 45 dB (2H mode)

Audio

Line Input

(Phono): -10 dBV, 47 kohms

Mic Input (3 mm): -60 dBV, 600 ohms

Line Output

(Phono): -8 dBV, 1 kohm

Track: 1 track (normal)

Recording/ Playback

mode: 2H/6H/L12H/L24H mode

Standard accessory

Power Cord: × 1

Weight and dimensions shown are approximate.
Specifications are subject to change without notice.

Panasonic

Broadcast & Television Systems Company

Division of Matsushita Electric Corporation of America
CLOSED CIRCUIT VIDEO EQUIPMENT DIVISION

Executive Office: One Panasonic Way (3E-7), Secaucus, NJ 07094

REGIONAL OFFICES:

Northeast: 43 Hartz Way, Secaucus, NJ 07094 (201) 348-7303
Southeast: 1225 Northbrook Parkway, Suite 107A, Suwanee, GA30174 (404) 717-6772
Midwest: 1707 North Randall Road, Elgin, IL 60123 (708) 468-5200
Southwest: 4500 Amon Carter Blvd., Fort Worth, TX 76155 (817) 685-1117
Western: 6550 Katella Ave., Cypress, CA 90630 (714) 373-7265

Panasonic Canada Inc.

5770 Ambler Drive, Mississauga, Ontario L4W 2T3 (905) 624-5010

Panasonic Sales Company

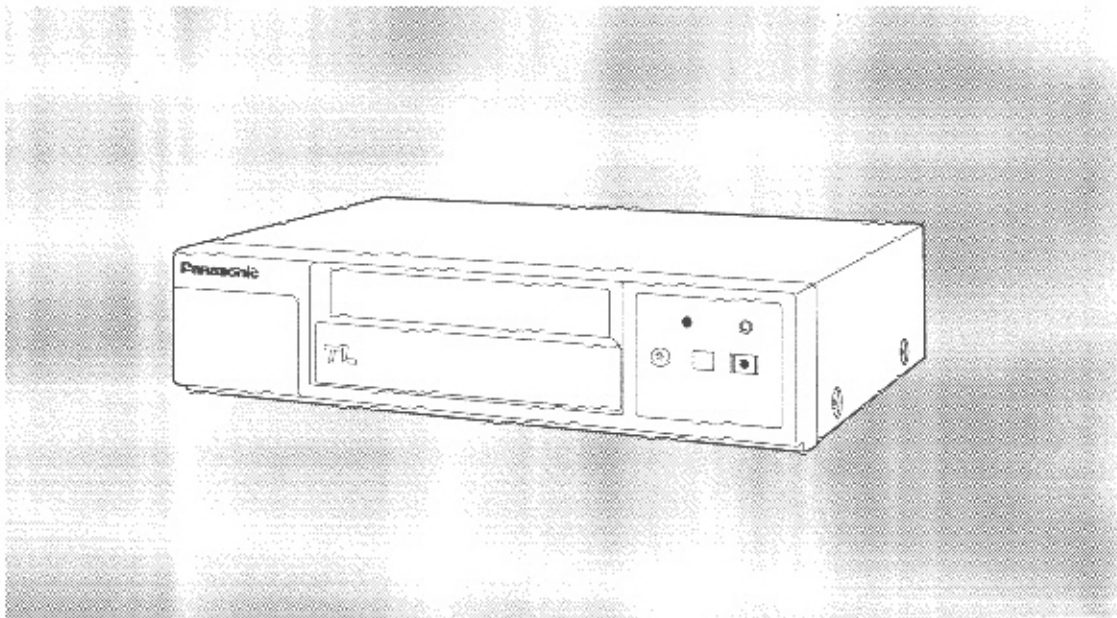
Division of Matsushita Electric of Puerto Rico Inc.

San Gabriel Industrial Park, 65th Infantry Ave., Km. 9.5, Carolina, Puerto Rico 00630

Manuel d'instructions

Panasonic **VHS**
Vidéo industrielle/professionnelle

Modèle AG-**TL500**_P



Magnétoscope à temps échelonné

Il est recommandé de lire attentivement ce manuel avant d'utiliser l'appareil.

Mise en garde:

“L'enregistrement non autorisé d'émissions de télévision, films, rubans magnétoscopiques ou autres, protégés par des droits d'auteur, peut enfreindre les droits de propriété et aller à l'encontre des dispositions de la loi sur les droits d'auteur”.



Le symbole de l'éclair dans un triangle équilatéral indique la présence d'une tension suffisamment élevée pour engendrer un risque de chocs électriques.



Le point d'exclamation dans un triangle équilatéral indique que le manuel d'instructions inclus avec l'appareil contient d'importantes recommandations quant au fonctionnement et à l'entretien de ce dernier.

ATTENTION:

AFIN DE PRÉVENIR TOUT RISQUE D'INCENDIE, DE CHOCS ÉLECTRIQUES OU D'INTERFÉRENCES, N'UTILISER QUE LES ACCESSOIRES RECOMMANDÉS.

ATTENTION:

Pour réduire tout risque de feu ou de choc électrique, confier l'installation de la plaque d'interface vendue séparément à un personnel d'entretien qualifié.

MISE EN GARDE:

AFIN DE PRÉVENIR TOUT RISQUE D'INCENDIE OU DE CHOCS ÉLECTRIQUES, ÉVITER D'EXPOSER CET APPAREIL À LA PLUIE OU À UNE HUMIDITÉ EXCESSIVE.

ATTENTION:

L'interférence radioélectrique générée par cet appareil numérique de type A ne dépasse pas les limites énoncées dans le Règlement sur les perturbations radioélectriques, section appareil numérique, du Ministère des Communications.

Pile au lithium

Remplacer la pile exclusivement par une pile N° VL2330/1HF.

Le fait d'utiliser un autre type de pile pourrait poser un risque de feu ou d'explosion.

Attention—La pile risque d'exploser si elle n'est pas manipulée avec soin. Ne pas la recharger, la démonter ni la jeter au feu.

 sont les consignes de sécurité.

Table des matières

Caractéristiques	4	Programmation quotidienne (minuterie quotidienne)/ programmation hebdomadaire (minuterie hebdomadaire)	15
Recommandation pour les opérations d'entretien courantes	4	• Enregistrement programmé par minuterie externe	16
Les commandes et leurs fonctions	5	Enregistrement en boucle automatique/ rebobinage automatique	16
Les menus	8	Enregistrement déclenché par dispositif d'alarme (enregistrement d'urgence)	17
Réglage de la date et de l'heure	10	• Rappel des enregistrements déclenchés par dispositif d'alarme	18
Sélection du mode de temps	12	Procédure de lecture	19
Procédure d'enregistrement	13	Vérifications périodiques et opérations d'entretien courantes	20
Conseils pour obtenir de meilleurs enregistrements	13	Interface RS-232C	21
• Verrouillage du mode enregistrement	13	Guide de dépannage	26
• Vérification des enregistrements	13	Données techniques	28
• Enregistrement avec reprise d'enregistre- ment après rétablissement du courant suite à une panne	13		
Enregistrement programmé	14		
• Enregistrement programmé par minuterie interne	14		

- Ne pas insérer les doigts ni d'objets dans le compartiment de la cassette vidéo.
- Éviter de faire fonctionner ou de placer l'appareil à proximité d'un champ magnétique (haut-parleurs de grand format).
- Éviter d'exposer le magnétoscope à la chaleur, au froid ou à une humidité excessive afin de prévenir les dommages à l'appareil ou au ruban.
- Ne jamais vaporiser de produits d'entretien ou de cire directement sur le coffret.
- Si l'appareil n'est pas utilisé pendant une période prolongée, protéger l'appareil contre la poussière et les saletés.
- Ne pas laisser de cassette dans l'appareil lorsque celui-ci n'est pas en usage.

- Ne pas obstruer les orifices de ventilation de l'appareil. Utiliser l'appareil à la position horizontale et ne rien placer sur le dessus.
- La cassette vidéo ne peut être utilisée que dans un seul sens et d'un seul côté. Il est impossible d'enregistrer une deuxième piste à reculons.
- La cassette vidéo s'utilise tant pour un enregistrement couleur que noir et blanc.
- Ne pas démonter l'appareil. Aucune pièce interne ne peut être réparée par l'utilisateur.
- Si un liquide quelconque s'infiltre dans l'appareil, le faire vérifier sans délai par un technicien.
- Confier tout entretien à un personnel qualifié.

Caractéristiques

Enregistrement et lecture dans des modes de temps allant jusqu'à 168 heures

En plus du mode 2 et 6 heures, l'enregistrement et la lecture sont possibles en mode de temps échelonné (L12, L24, 24, 48, 72, 96, 120 et 168 heures).

Choix complet de fonctions d'enregistrement

Parmi le vaste choix de fonctions d'enregistrement, citons l'enregistrement avec reprise d'enregistrement après rétablissement du courant suite à une panne, l'enregistrement quotidien ou par jour de la semaine via la minuterie interne, l'enregistrement programmé via une minuterie externe, l'enregistrement déclenché par dispositif d'alarme, l'enregistrement d'urgence et l'enregistrement en boucle.

Fonctions de lecture

Parmi les fonctions de lecture pratiques, citons la fonction de revue d'enregistrement, qui permet un visionnement immédiat des images enregistrées, la fonction de recherche pratique, qui permet de localiser les images promptement, et les fonctions d'avance/recul trame par trame et d'arrêt sur image, qui permettent un visionnement attentif de séquences particulières.

Fonction d'alignement automatique

Une pression simultanée sur les touches de pistage "-" et "+" permettra de régler automatiquement l'alignement.

Générateur horodateur incorporé

L'appareil incorpore un microprocesseur avec fonction de dateur (calendrier) qui permet d'indiquer l'heure sur l'afficheur ou sur le moniteur vidéo et de piloter les données relatives à l'heure de la minuterie interne.

Fonction de verrouillage d'enregistrement

Afin de prévenir toutes les erreurs de fonctionnement qui pourraient se produire pendant l'enregistrement, l'appareil est doté d'une fonction de double verrouillage du mode enregistrement.

Raccordement à un aiguilleur d'image

L'appareil pourra être raccordé en toute facilité à un aiguilleur d'image une fois qu'il aura été raccordé aux connecteurs d'entrée vidéo et de commutation de caméra.

- Ne pas envoyer simultanément les signaux de caméras couleur et de caméras noir et blanc aux connecteurs d'entrée de la caméra car cela pourrait perturber la synchronisation de l'écran vidéo et engendrer du bruit.

Horodateur

L'appareil incorpore un horodateur qui fournit des informations utiles pour l'entretien et les vérifications.

Télécommande

L'appareil pourra être commandé à une distance d'environ 5 mètres si la télécommande AG-A11, disponible en option, est raccordée.

Connecteur RS-232C

Il permet de piloter les fonctions de base du magnétoscope à l'aide d'un ordinateur personnel, etc.

Recommandation pour les opérations d'entretien courantes

Bien que l'appareil ait été conçu pour supporter de longues heures de fonctionnement sans problème, les points ci-dessous devront être vérifiés régulièrement pour que l'appareil se maintienne en parfait ordre de marche. Utiliser l'horodateur pour savoir quand effectuer les vérifications.

Un magnétoscope est un appareil de précision qui nécessite que l'utilisateur possède un contrat de maintenance et d'inspection qui permettra de garantir un fonctionnement sans ennuis et sans pannes. Pour de plus amples détails, consulter son revendeur.

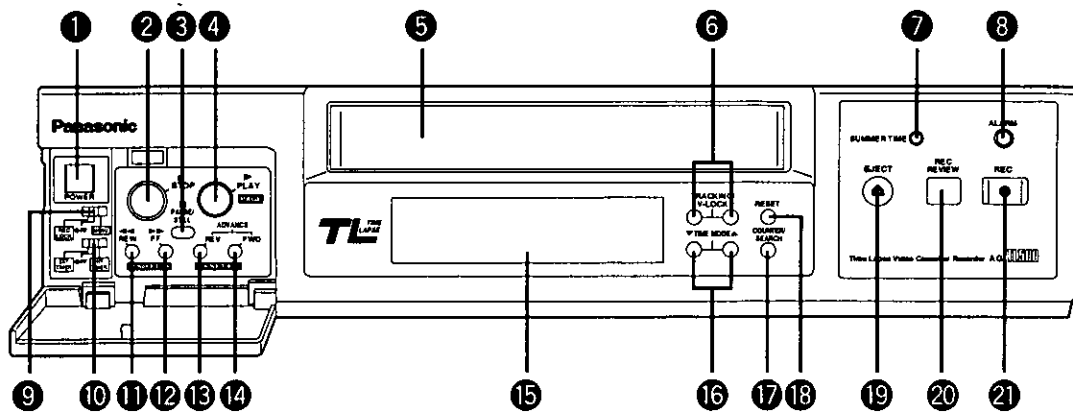
Point d'inspection	Temps d'utilisation cumulé (en heures)										
	500	1000	2000	3000	4000	5000	6000	7000	8000	9000	10000
Nettoyage du système de défilement	●	●	●	●	●	●	●	●	●	●	●
Têtes audio	●	●	●	●	●	○	●	●	●	●	○
Têtes vidéo	●	○	○	○	○	○	○	○	○	○	○
Tambour de têtes	●	●	●	●	●	○	●	●	●	●	○

- Inspection d'usure
● Nettoyage

(Utilisation de l'appareil en mode L12H/L24H/24H)

Le tableau ci-dessus ne vise qu'à donner des directives d'ordre général pour l'inspection des pièces principales intervenant dans les vérifications périodiques. La fréquence des inspections sera déterminée en fonction de l'environnement dans lequel le magnétoscope est utilisé.

Les commandes et leurs fonctions



- 1 Interrupteur d'alimentation**
L'appareil est mis sous tension lorsqu'on appuie sur la touche. Lorsqu'on appuie à nouveau, l'alimentation se coupe.
- 2 Touche arrêt (STOP)**
Quand on appuie sur cette touche, le ruban cesse de défiler.
- 3 Touche pause/arrêt sur image (PAUSE/ STILL)**
Quand on appuie sur cette touche pendant un enregistrement, le ruban cesse provisoirement de défiler. Si l'on y appuie pendant la lecture, le ruban cesse provisoirement de défiler et un arrêt sur image apparaît sur le moniteur vidéo. Si l'on appuie à nouveau, le défilement du ruban reprend.
- 4 Touche de lecture (page) (PLAY)**
La lecture commence quand on appuie sur cette touche. Si l'on appuie sur la touche pendant qu'un menu est affiché, les pages du menu avancent.
- 5 Trappe de cassette**
C'est l'ouverture de chargement de la cassette vidéo.
- 6 Touches de pistage (-, +)/touches de blocage verticale**
Ces touches permettent de régler l'alignement ou de compenser le sautilllement vertical pendant un arrêt sur image. Si des parasites apparaissent sur l'image de lecture, appuyer sur les touches pour régler l'alignement de façon que l'image soit la plus nette possible. Lorsqu'on appuie simultanément sur les deux touches, l'alignement se règle automatiquement. Si l'image du téléviseur oscille en sens vertical pendant un arrêt sur image, régler ces touches. Si l'image tremble légèrement dans le sens vertical pendant un arrêt sur image, appuyer sur les touches de blocage verticale pour réduire le sautilllement.
- 7 Touche d'heure d'été (SUMMER TIME)**
Elle permet de commuter entre l'heure actuelle et l'heure d'été (économie d'énergie).
- 8 Voyant d'alarme (ALARM)**
Il reste allumé pendant un enregistrement déclenché par dispositif d'alarme. Il clignote quand l'enregistrement déclenché par dispositif d'alarme est terminé.
- 9 Commutateur menu/verrouillage d'enregistrement (MENU/REC LOCK)**
Lorsque ce commutateur est sur la position REC LOCK, il n'est plus possible de régler le mode de temps ni d'actionner les touches de fonction ni l'interrupteur d'alimentation lorsque l'enregistrement est en cours. Lorsqu'il est mis sur MENU, l'écran du menu apparaît.
- 10 Interrupteur de mode minuterie (mode d'enregistrement) [TIMER MODE (REC MODE)]**
C'est l'interrupteur de fonction pour l'enregistrement programmé par minuterie interne ou l'enregistrement programmé par minuterie externe. Les données ci-dessous s'allument sur l'afficheur.
INT TIMER: Aux heures réglées par la minuterie interne, l'appareil se met automatiquement sous et hors tension et l'enregistrement commence ou s'arrête.
OFF: L'enregistrement programmé est désactivé.
EXT TIMER: Quand l'alimentation externe est enclenchée, l'enregistrement commence automatiquement.
- 11 Touche rebobinage (décalage) (REW)**
Lorsqu'on appuie sur cette touche, le ruban se rebobine. Si l'on maintient la touche enfoncée pendant la lecture, le mode revue est activé. Lorsqu'on appuie sur cette touche une fois pendant la lecture en mode recherche des enregistrements déclenchés par dispositif d'alarme, l'appareil commute en mode revue. Si l'on appuie sur la touche pendant qu'un menu est affiché, les paramètres de réglage se déplacent vers le bas.
- 12 Touche avance rapide (décalage) (FF)**
Lorsqu'on appuie sur cette touche, le ruban défile rapidement vers l'avant. Si l'on maintient la touche enfoncée pendant la lecture, l'appareil commute en mode repérage. Lorsqu'on appuie sur cette touche une fois pendant la lecture en mode recherche des enregistrements déclenchés par dispositif d'alarme, l'appareil commute en mode repérage. Si l'on appuie sur cette touche pendant qu'un menu est affiché, les paramètres de réglage se déplacent vers la droite.

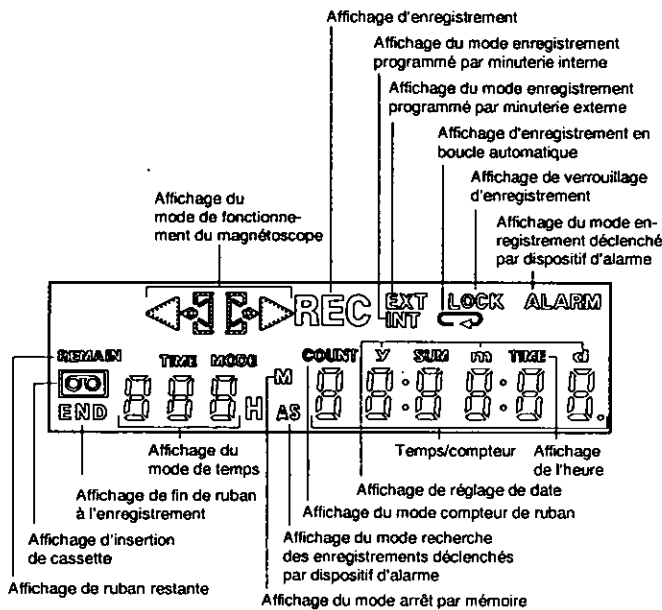
13 Touche recul trame par trame (réglage) (REV ADV)

Si l'on maintient cette touche enfoncée pendant un arrêt sur image, le ruban avance d'une trame à la fois en sens arrière. Quand on libère la touche, l'arrêt sur image réapparaît. Si un menu est affiché, la touche permet de régler les paramètres (de diminuer les valeurs).

14 Touche avance trame par trame (réglage) (FWD ADV)

Si l'on maintient cette touche enfoncée pendant un arrêt sur image, le ruban avance d'une trame à la fois en sens avant. Quand on libère la touche, l'arrêt sur image réapparaît. Si un menu est affiché, la touche permet de régler les paramètres (d'augmenter les valeurs).

15 Afficheur



• Affichage des modes de fonctionnement

Mode de fonctionnement	Affichage
Lecture	▶▶ ou ▶
Enregistrement	▶ Le voyant REC s'allume.
Arrêt sur image	
Pause d'enregistrement	Le voyant REC s'allume.
Vérification d'enregistrement	▶ Le voyant REC s'allume.
Avance rapide	▶▶▶
Rebobinage	◀◀◀
Repérage	▶▶▶
Revue	◀◀◀
Avance trame par trame	
Recul trame par trame	

• Messages d'erreur

Un code d'erreur apparaît lorsqu'une anomalie se produit en cours de fonctionnement.

E-2: Anomalie dans la zone d'insertion de la cassette

E-3: Anomalie dans la zone de chargement du ruban

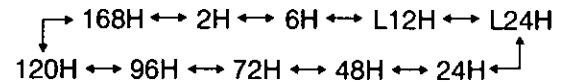
E-4: Anomalie dans le cylindre des têtes

E-5: Anomalie dans la zone de défilement du ruban

d: Formation de condensation (humidité)

16 Touche de mode de temps (TIME MODE)

Elle permet de sélectionner le mode de temps pour l'enregistrement et la lecture. Chaque fois qu'on appuie sur la touche, le mode de temps change comme suit:



17 Sélecteur compteur/recherche (COUNTER/SEARCH)

Lorsqu'on appuie sur cette touche, les données de l'afficheur commutent sur l'heure, le compteur, la mémoire du compteur, la recherche des enregistrements déclenchés par dispositif d'alarme et le nombre de l'enregistrement en boucle.

Le voyant "M" apparaît sur l'afficheur en mode mémoire du compteur. Lorsque le ruban est avancé ou rebobiné rapidement dans ce mode, le compteur s'arrête automatiquement lorsqu'il approche de "0:00:00". Le voyant "AS" apparaît sur l'afficheur en mode recherche des enregistrements déclenchés par dispositif d'alarme. Lorsque le ruban est avancé ou rebobiné rapidement dans ce mode, l'appareil commute automatiquement en mode arrêt sur image à la section de l'enregistrement déclenché par dispositif d'alarme.

"** PAS" s'affiche pendant un enregistrement en boucle.

"-- PAS" apparaît le reste du temps.

(Les astérisques "*" représentent le nombre de boucles.)

• "M" ou "S" ne fonctionneront pas si l'on appuie sur la touche pendant une avance rapide ou un rebobinage.

18 Touche réinitialisation (RESET)

Lorsqu'on appuie sur cette touche, le compteur est ramené à 0:00:00.

19 Touche éjection (EJECT)

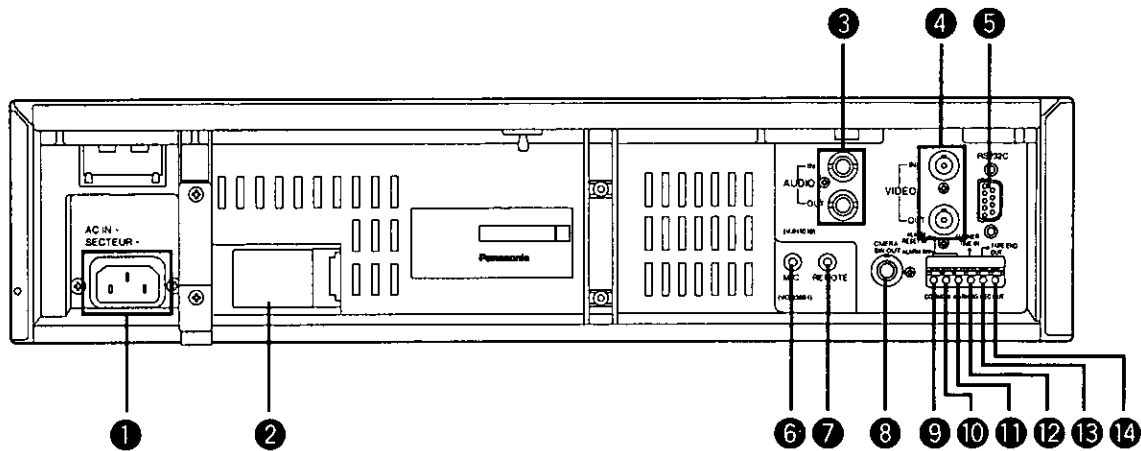
Elle permet d'éjecter la cassette vidéo.

20 Touche revue d'enregistrement (REC REVIEW)

Si l'on appuie sur cette touche pendant l'enregistrement, le ruban défile provisoirement en sens arrière, et lorsque la section juste enregistrée a été lue, l'appareil revient au mode enregistrement.

21 Touche enregistrement (REC)

L'enregistrement commence quand on appuie sur cette touche.



1 Connecteur d'entrée secteur (AC IN)

Raccorder le cordon d'alimentation secteur fourni à une prise secteur.

2 Zone d'installation de la batterie

Installer la batterie dans cette cavité. Voir "Pile au lithium", à la page 2.

3 Connecteurs d'entrée/sortie audio

Ce sont les connecteurs d'entrée/sortie audio (prises phono).

4 Connecteurs d'entrée/sortie vidéo

Ce sont les connecteurs d'entrée/sortie vidéo (BNC); raccorder le connecteur d'entrée à la caméra vidéo, etc., et le connecteur de sortie au moniteur vidéo, etc.

5 Connecteur RS-232C

Il permet de piloter les fonctions de base du magnéto-scope à l'aide d'un ordinateur personnel, etc.

6 Prise d'entrée de microphone (MIC)

C'est la prise d'entrée (3 mm) pour un microphone externe.
Lorsque les signaux sont envoyés simultanément à cette prise et aux connecteurs d'entrée vidéo, cette prise a priorité.

7 Connecteur de télécommande (REMOTE)

C'est le connecteur de raccordement de la télécommande AG-A11, disponible en option.

8 Connecteur de sortie de commutation des caméras

C'est le connecteur de sortie de commutation des caméras; le raccorder à l'aiguilleur d'image.

9 Connecteur d'entrée d'alarme

C'est le connecteur d'entrée des enregistrements déclenchés par dispositif d'alarme: le raccorder au détecteur externe.

10 Borne de mise à la terre (COMMON)

11 Connecteur d'entrée de réinitialisation d'alarme

C'est le connecteur d'entrée pour la libération des enregistrements déclenchés par dispositif d'alarme: il nécessite une tension de +4 V à +14 V CC.

12 Connecteur d'entrée d'enregistrement (REC INPUT)

Lorsque les signaux sont envoyés à ce connecteur, les opérations suivantes s'effectuent en fonction du réglage de SW6 à la Fig. 1 (voir page 21).

SW6 OFF: Lorsque les signaux sont envoyés au connecteur REC IN, le contact s'établit automatiquement et l'enregistrement s'effectue. Lorsque les signaux cessent d'être envoyés, le contact se coupe automatiquement.

ON: Lorsque les signaux sont envoyés au connecteur REC IN, l'établissement du contact déclenche l'enregistrement.

13 Connecteur de sortie de fin de ruban

Quand la cassette arrive en fin de ruban pendant un enregistrement, le dispositif d'alarme externe est activé.

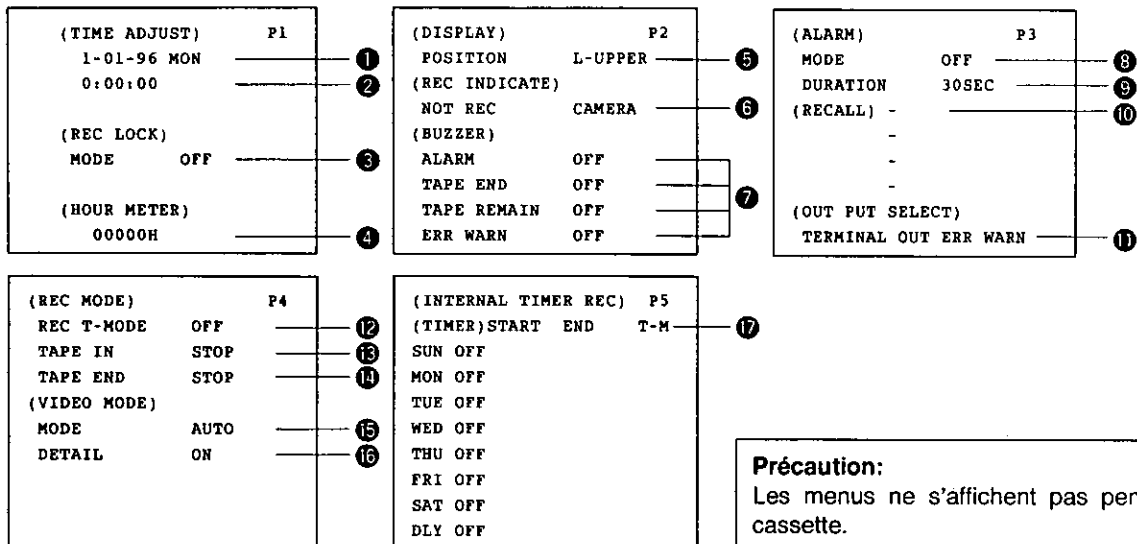
14 Connecteur de sortie du signal d'avertissement/enregistrement (WARNING/REC)

Lorsqu'une anomalie se produit dans l'appareil, le dispositif d'alarme externe est activé.

Les menus

L'un de ces menus apparaît sur le moniteur vidéo lorsque le commutateur MENU/REC LOCK est mis sur MENU. L'affichage revient à l'écran normal si le commutateur est mis sur OFF.

- Lorsqu'un menu est affiché, les paramètres se règlent à l'aide des touches de page, décalage et réglage.
- Pour avancer dans les pages du menu (page suivante), utiliser la touche de page.
- Pour se déplacer dans les paramètres (vers le bas ou vers la droite), utiliser la touche de décalage.
- Pour régler les paramètres (augmenter ou diminuer les valeurs), utiliser la touche de réglage.



Précaution:

Les menus ne s'affichent pas pendant la lecture d'une cassette.

MENU 1

Outre la date, l'heure et le verrouillage du mode enregistrement qui apparaissent sur le moniteur vidéo, le menu 1 permet d'afficher l'horodateur.

1 Réglage de la date (voir page 10)

2 Réglage de l'heure (voir page 10)

3 Verrouillage du mode enregistrement

ON: LOCK s'allume sur le tube cathodique avant, et toutes les opérations à l'exception de la revue d'enregistrement sont interdites pendant l'enregistrement.

4 Horodateur (voir page 20)

L'horodateur indique la durée d'utilisation totale de l'appareil (le temps total cumulé de rotation du tambour de têtes).

MENU 2

Le menu 2 permet de sélectionner l'emplacement de l'affichage et l'affichage d'un écran bleu sur le moniteur, ainsi que d'effectuer les réglages de l'avertisseur sonore.

5 Sélection de l'emplacement d'affichage

Ce paramètre sélectionne l'emplacement de la date/heure sur le moniteur vidéo.

(L-UPPER → R-UPPER → L-BOTTOM → R-BOTTOM → CENTER → OFF)

6 Affichage bleu

Ce paramètre permet d'obtenir en permanence un affichage bleu sur le moniteur, sauf pendant l'enregistrement et la lecture.

BLUE: L'affichage du moniteur est bleu en permanence, sauf pendant l'enregistrement et la lecture.

CAMERA: Les images du connecteur d'entrée vidéo apparaissent en permanence sur le moniteur, sauf pendant la lecture.

7 Déclenchement de l'avertisseur sonore

Ce paramètre permet de régler le déclenchement de l'avertisseur sonore.

ALARM: L'avertisseur sonore retentit lorsqu'un enregistrement déclenché par dispositif d'alarme s'effectue.

TAPE END: Lorsque la cassette arrive en fin de ruban en mode enregistrement, l'avertisseur sonore retentit lorsque le ruban est fini.

TAPE REMAIN: L'avertisseur sonore retentit lorsqu'il ne reste plus que 3% de ruban (avec une cassette NV-T120) avant la fin de la cassette en mode enregistrement.

ERR WARN: L'avertisseur sonore retentit lorsque l'appareil est en état d'avertissement.

Pour libérer l'avertisseur sonore:

ALARM: Libérer l'enregistrement déclenché par dispositif d'alarme.

TAPE END: Changer de mode à la fin du ruban ou appuyer sur la touche STOP.

TAPE REMAIN: Changer de mode (à l'exception du mode pause et revue d'enregistrement) à partir du mode d'enregistrement ou appuyer sur la touche REC.

ERR WARN: Libérer l'état d'avertissement.

Lorsque TAPE END et TAPE REMAIN ont été réglés sur ON, END et REMAIN clignotent sur le tube cathodique en même temps que l'avertisseur sonore retentit.

Ils cessent de clignoter lorsque l'avertisseur sonore est libéré.

MENU 3

Le menu 3 permet de régler le mode enregistrement déclenché par dispositif d'alarme.

8 Réglage du mode enregistrement déclenché par dispositif d'alarme et du mode temps d'enregistrement pendant un enregistrement déclenché par dispositif d'alarme (voir page 17)

S'il se produit une entrée d'alarme pendant un enregistrement en mode de temps échelonné, le mode temps d'enregistrement commute sur le mode désigné (2H/6H), et les détails de l'état d'alarme sont fidèlement enregistrés.

9 Réglage de la durée des enregistrements déclenchés par dispositif d'alarme

Ce paramètre permet de régler la durée qui s'écoule entre le début d'un enregistrement déclenché par dispositif d'alarme et sa fin. Cette durée pourra être réglée individuellement entre 30 s et 10 mn.

(30 SEC → 1.0 MIN → 2.0 MIN → 3.0 MIN → 5.0 MIN → 10 MIN → CONTINUE → MANUAL)

CONTINUE: L'enregistrement déclenché par dispositif d'alarme se poursuit jusqu'à la fin du ruban.

MANUAL: L'enregistrement déclenché par dispositif d'alarme se poursuit tant que dure l'entrée d'alarme.

10 Rappel des enregistrements déclenchés par dispositif d'alarme (voir page 18)

Ce paramètre permet de vérifier l'heure d'entrée d'un signal d'alarme (jusqu'à 4 heures).

11 Réglage du signal de sortie du connecteur de borne ERR WARN: S'il se produit une anomalie dans l'appareil (AUTO OFF), un signal LOW est envoyé.

REC: S'il se produit une anomalie dans l'appareil pendant un enregistrement, un signal LOW est envoyé.

MENU 4

Le menu 4 permet de sélectionner l'emplacement de l'affichage sur le moniteur vidéo ainsi que les modes du magnétoscope.

12 Sélection de l'emplacement d'affichage

Ce paramètre sélectionne l'emplacement de l'affichage de la date/heure sur le moniteur vidéo.

OFF: La durée d'enregistrement pourra être réglée au choix de l'utilisateur avec la touche de mode de temps du panneau secondaire du magnétoscope. Il est possible de changer le mode pendant l'enregistrement.

2H: Mode 2 heures (compatible avec le mode standard des magnétoscopes ordinaires)

6H: Mode 6 heures (compatible avec le mode standard des magnétoscopes ordinaires)

L12H/L24H/48H/72H/96H/120H/168H: Mode L12/L24 heures (enregistrement linéaire ralenti)

Mode 24/48/96/120/168 heures (enregistrement temps échelonné)

13 Sélection du fonctionnement du magnétoscope sur insertion de la cassette

STOP: Mode arrêt

REC: Il suffit d'insérer la cassette pour que l'enregistrement commence automatiquement.

REW ▶ REC: Lorsque la cassette est insérée, elle commence par se rebobiner jusqu'au début du ruban, puis l'enregistrement commence automatiquement.

14 Sélection du fonctionnement lorsque la fin de ruban est détectée pendant un enregistrement (voir page 16)

STOP: Mode arrêt

REW: Le ruban se rebobine automatiquement jusqu'au début, puis elle s'arrête.

REPEAT: Le ruban se rebobine automatiquement jusqu'au début, et l'enregistrement s'effectue en boucle.

EJECT: La cassette est éjectée.

15 Mode de signal vidéo

Ce paramètre sélectionne le fonctionnement du circuit de sélection automatique couleur/noir et blanc.

AUTO: Le circuit identifie automatiquement le type des signaux d'entrée ou de lecture vidéo et il sélectionne le mode couleur ou noir et blanc en conséquence.

COLOR: Le mode couleur est impérativement activé.

B_W: Le mode noir et blanc est impérativement activé.

Remarques:

- Quand les signaux couleur sont enregistrés en mode noir et blanc forcé, utiliser le même mode pour la lecture de ces signaux.

- Pour lire une cassette sur un magnétoscope grand public, utiliser les signaux couleur comme signaux d'enregistrement, et utiliser AUTO ou COLOR comme modes vidéo.

16 Sélection des détails de l'image de lecture

Il est possible de donner des contours plus doux aux images de lecture.

OFF: Les images de lecture sont adoucies.

ON: Mode normal

MENU 5

Le menu 5 permet de régler les modes enregistrement programmé par minuterie interne.

17 Réglage du mode enregistrement programmé par minuterie interne (voir page 14)

Ce paramètre permet de régler le mode programmation hebdomadaire ou programmation quotidienne. (OFF/ON)

OFF: Pour désactiver le mode enregistrement programmé par minuterie interne.

ON: Pour régler le mode enregistrement programmé par minuterie interne.

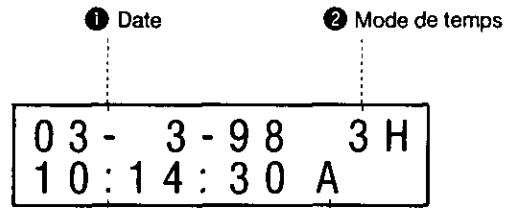
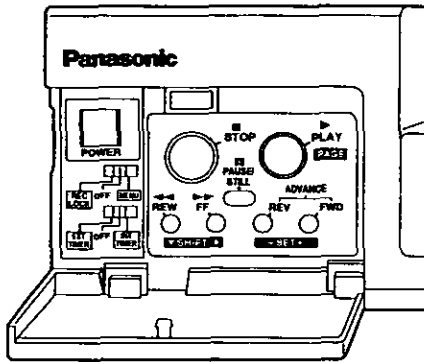
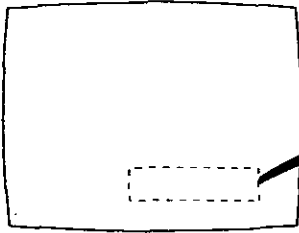
Remarque:

L'enregistrement programmé par minuterie interne ne fonctionnera pas si la date et les heures n'ont pas été réglées.

Réglage de la date et de l'heure

L'appareil est doté d'un générateur horodateur incorporé qui permet d'incruster la date et l'heure sur l'enregistrement. Lorsque l'appareil est mis sous tension, la date, l'heure et le mode de temps s'affichent (dans le cas d'un écran normal).

Moniteur vidéo



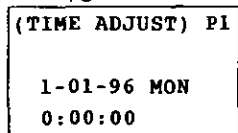
③ Heure ④ Affichage d'alarme

- ① **Date:**
La date s'affiche dans le format jour/mois/année.
- ② **Mode de temps:**
Ce paramètre se règle en appuyant sur la touche TIME MODE. Il clignote, sauf si un enregistrement est en cours.
- ③ **Heure:**
L'heure se règle sur un cycle de 24 heures.
- ④ **Affichage d'alarme:**
Il s'affiche pendant un enregistrement déclenché par dispositif d'alarme.

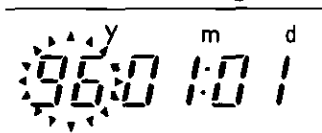
Exemple: Pour régler l'horodateur sur mardi 3 mars 1998, 3h 25. Le mode de temps réglé est le mode 24 heures.

- ① Mettre le commutateur MENU/REC LOCK sur MENU. Le menu 1 apparaît et les chiffres de l'année clignotent.

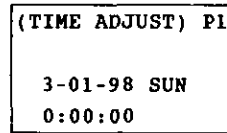
Affichage du moniteur



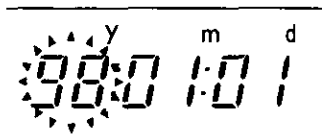
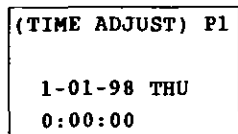
Zone d'affichage



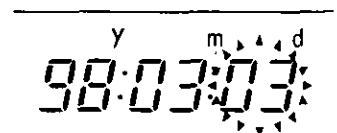
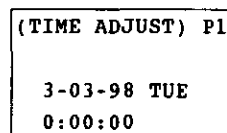
- ③ Quand on appuie sur la touche de décalage (▷), les chiffres du mois clignotent. Appuyer sur les touches SET (+, -) pour régler le mois sur "3".



- ② Appuyer sur les touches SET (+, -) pour régler l'année sur "98".



- ④ Quand on appuie sur la touche de décalage (▷), les chiffres du jour clignotent. Appuyer sur les touches SET (+, -) pour régler le jour sur "03".



- L'année pourra être réglée entre 1996 et 2011.

- 5 Quand on appuie sur la touche de décalage (▽), les chiffres des heures clignotent. Appuyer sur les touches SET (+, -) pour régler les heures sur "3".

(TIME ADJUST) P1
3-03-98 TUE
3:00:00

TIME
3:00

- 7 Quand le commutateur MENU/REC LOCK est mis sur OFF, l'horloge commence automatiquement à fonctionner à partir de l'heure et du jour réglés.

(TIME ADJUST). P1
3-03-98 TUE
3:25:00

TIME
3:25

Les secondes se règlent sur "00".

Si l'on n'a pas modifié l'heure, elle continuera à avancer même si l'on met le commutateur sur MENU.

- 6 Quand on appuie sur la touche de décalage (▷), les chiffres des minutes clignotent. Appuyer sur les touches SET (+, -) pour régler les minutes sur "25".

(TIME ADJUST) P1
3-03-98 TUE
3:25:00

TIME
3:25

- Pour effacer l'affichage de l'horodateur, mettre POSITION, sous (DISPLAY) du menu 2, sur OFF.
- La date, l'heure et les données de l'affichage du mode de temps (réglage de minuterie interne, rappel d'alarme) seront conservés dans la mémoire même en cas de panne d'alimentation se prolongeant jusqu'à une semaine, à condition toutefois que l'appareil ait été alimenté continuellement pendant au moins trois jours. Si l'on vient d'acheter l'appareil ou s'il n'a pas fonctionné pendant longtemps, les données ne seront pas mémorisées et l'écran ci-dessous apparaît.

(TIME ADJUST) P1
1-01-96 MON
0:00:00

Tous les réglages de minuterie interne sont réglés sur OFF, et l'affichage de rappel des alarmes s'efface.

- Pour le réglage de la date, l'appareil règle automatiquement les années bissextiles.
- Pour diverses raisons comme les fluctuations de la température notamment, l'heure peut avancer ou retarder dans la limite d'une erreur mensuelle de ± 60 secondes. Ceci est normal. Rerégler l'heure régulièrement.

Réglage de l'heure d'été

Lorsqu'on enfonce la touche SUMMER TIME à l'aide d'un petit tournevis, l'heure avance automatiquement d'une heure; simultanément, le voyant "SUM" apparaît sur l'afficheur. Si l'on enfonce à nouveau la touche, l'heure revient au réglage initial et le voyant "SUM" s'éteint.

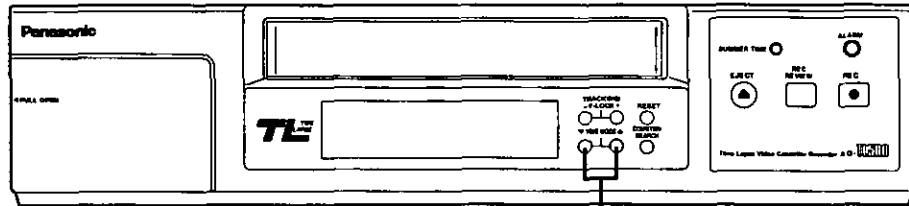
- Les modifications suivantes interviennent lorsque la date et l'heure sont réglées sur l'heure d'été.

<Exemple> 12 - 31 - 1998 [THU] 23:22:00

Lorsqu'on a changé l'heure, il faudra absolument vérifier que la date est correcte.

Réglage de l'heure	Date	Exemple
23 → 0	Avancé d'un jour	1 - 1 - 1999 (FRI) 0:22:00
0 → 1	Reculé d'un jour	12 - 31 - 1998 (THU) 1: 22:00
1 → 0	Avancé d'un jour	1 - 1 - 1999 (FRI) 0:22:00
0 → 23	Reculé d'un jour	12 - 31 - 1998 (THU) 23:22:00

Sélection du mode de temps



Touche TIME MODE

Pour sélectionner le mode qui convient pour l'application, se reporter au tableau ci-dessous.

Mode	Durée possible d'enregistrement (en heures)			Intervalle d'enregistrement vidéo (en secondes)	Enregistrement audio	Intervalle de commutation de caméra (en secondes)	Norme de remplacement du ruban (temps d'enregistrement)
	Cassette de 120 minutes	Cassette de 90 minutes	Cassette de 60 minutes				
2H	2	1,5	1	1/60	Possible	1/30	----
6H	6	4,5	3	1/60	Possible	1/30	----
L12H	12	9	6	0,12	Possible	0,12	50
L24H	24	18	12	0,22	Possible	0,22	50
24H	24	18	12	0,22	Impossible	0,22	50
48H	48	36	24	0,42	Impossible	0,42	25
72H	72	54	36	0,62	Impossible	0,62	20
96H	96	72	48	0,82	Impossible	0,82	20
120H	120	90	60	1,02	Impossible	1,02	15
168H	168	126	84	1,42	Impossible	1,42	10

Remarques sur le fonctionnement

- Les cassettes de référence de l'appareil sont les cassettes NV-T120.
- La durée d'enregistrement varie en fonction du type de cassette vidéo utilisé.
- La durée possible d'enregistrement sera légèrement plus longue que la "Durée possible d'enregistrement" donnée dans le tableau ci-dessus, bien que cela dépende de la cassette utilisée.
Par exemple, il est possible d'obtenir environ 26 heures d'enregistrement avec une cassette de 120 minutes en mode 24 heures.
- Les modes L12 heures à 168 heures sont les modes temps échelonné. Les images sont enregistrées avec des sauts d'image pour permettre des enregistrements et lectures très longue durée.
- Une cassette enregistrée en mode temps échelonné (L12 heures à 168 heures) pourra être lue en accéléré en mode 2 heures.
- Une cassette enregistrée en mode 2 heures pourra être lue au ralenti à l'aide du mode temps échelonné (L12 heures à 168 heures).
- Une cassette enregistrée en mode 2 heures ne pourra pas être lue en mode 6 heures.
- Une cassette enregistrée en mode 6 heures ne pourra pas être lue en mode 2 heures.
- Lorsqu'un ruban enregistré en mode 6 heures est lu uniquement en mode 6 heures normal, l'image apparaîtra en couleur. S'il est lu dans les autres modes, l'image apparaîtra en noir et blanc. Toutefois, ceci n'est pas le signe d'un mauvais fonctionnement.

Sélection des cassettes

L'appareil est conçu pour garantir une haute fiabilité dans un système de surveillance, sécurité, contrôle, etc. Pour pouvoir préserver sa fiabilité d'enregistrement, il est recommandé d'utiliser les cassettes vidéo Panasonic de la liste ci-dessous.

- <Cassettes VHS>
- NV-T120
 - NV-T90
 - NV-T60

- On évitera d'utiliser des cassettes de 160 minutes sur cet appareil.

Procédure d'enregistrement

- 1 Mettre l'appareil raccordé sous tension.
- 2 Régler de façon que les images des caméras vidéo apparaissent de façon satisfaisante sur le moniteur vidéo.
- 3 Vérifier que la date et l'heure affichées sur le moniteur vidéo sont exactes.
- 4 Insérer une cassette dans l'appareil après avoir vérifié que la languette de la cassette est intacte.
- 5 Régler la fonction d'enregistrement voulue: enregistrement programmé, enregistrement en boucle automatique, enregistrement déclenché par dispositif d'alarme, enregistrement avec reprise d'enregistrement après rétablissement du courant suite à une panne, etc.
- 6 Sélectionner le mode de temps pour l'enregistrement.
- 7 Appuyer sur la touche REC.

Remarques sur le fonctionnement

- Si l'on appuie sur la touche PAUSE/STILL pendant l'enregistrement, l'appareil commute en mode pause, et au bout de 5 minutes environ en mode pause, il commute en mode arrêt.
- L'on ne pourra pas obtenir une parfaite continuité des images si l'on réactive le mode enregistrement après avoir appuyé sur la touche PAUSE/STILL pendant l'enregistrement.
- Lorsque le commutateur MENU/REC LOCK est mis sur OFF, il est possible d'effectuer d'autres opérations pendant l'enregistrement.
- Lors d'un enregistrement avec reprise d'enregistrement après rétablissement du courant suite à une panne, l'enregistrement se poursuivra dans le même mode de temps après rétablissement du courant, à condition que le courant soit rétabli dans l'intervalle d'une semaine. (Ceci n'est valable que si l'appareil a été alimenté continuellement pendant au moins trois jours.)
- Lorsqu'on effectue un enregistrement en boucle automatique ou un enregistrement programmé, ne pas négliger d'effectuer les vérifications périodiques.
- Pour enregistrer des images avec une caméra noir et blanc, régler le mode de signal vidéo du menu 4 sur B_W.
- Sortir la cassette si l'appareil doit rester inutilisé pendant longtemps.
- Si l'alimentation est interrompue au cours d'un enregistrement (alors que l'interrupteur d'alimentation est toujours sur ON), une section non enregistrée sera créée au début du défilement du ruban, ou bien le ruban sera surenregistré à la section finale. Ceci n'est pas le signe d'une anomalie.

Conseils pour obtenir de meilleurs enregistrements

Pour pouvoir garantir une plus grande fiabilité lors d'opérations en continu se prolongeant sur plusieurs heures, notamment pour des opérations de contrôle et de surveillance, l'appareil est doté d'un certain nombre de fonctions de sécurité qui garantissent la réalisation des enregistrements. Lire ci-dessous la description de ces fonctions avant d'utiliser l'appareil.

Verrouillage du mode enregistrement

Il y a deux façons, décrites ci-dessous, d'assurer le maintien du mode enregistrement une fois qu'il a été activé en invalidant le fonctionnement de l'interrupteur d'alimentation ainsi que le mode de temps et les touches de fonction.

- 1 Mettre le commutateur MENU/REC LOCK sur REC LOCK.
- 2 Régler REC LOCK du menu 1 sur ON. (Voir la remarque.)

Le commutateur et les connecteurs suivants sont opérationnels même si l'appareil est mis sur REC LOCK.

- Connecteur d'entrée d'alarme, connecteur de réinitialisation d'alarme
- Commutateur REC REVIEW

Vérification d'enregistrement

Si l'on appuie sur la touche REC REVIEW pendant l'enregistrement, le ruban défile temporairement en sens arrière, et la section enregistrée est reproduite. Cette fonction permet de vérifier le fonctionnement quotidien des appareils du système.

Enregistrement avec reprise d'enregistrement après rétablissement du courant suite à une panne

Lorsqu'une panne de courant se produit pendant un enregistrement, l'appareil reprendra automatiquement l'enregistrement si l'alimentation est rétablie dans l'intervalle d'une semaine.

- Lors d'une panne de courant, la fonction de protection de "relâchement" du ruban se déclenche afin de protéger les têtes et le ruban vidéo.

Avant le rétablissement du courant	Après le rétablissement du courant
• Arrêt, lecture, avance rapide	Le mode arrêt est activé.
• Enregistrement	Le mode enregistrement est activé.
• Rebobinage automatique • L'appareil revient au mode en vigueur avant l'interruption du courant.	Rebobinage automatique pendant un enregistrement en boucle automatique

Remarque:

Lorsque le mode enregistrement est activé, l'enregistrement ne pourra être activé qu'en mettant REC LOCK du menu 1 sur OFF.

Enregistrement programmé

Il existe deux méthodes d'enregistrement programmé: l'une fait intervenir la minuterie interne, et l'autre utilise une minuterie externe.

Enregistrement programmé par minuterie interne

Heure de début et heure d'arrêt

Bien avoir à l'esprit les points suivants lorsqu'on règle ces deux heures.

- **Si l'heure d'arrêt est ultérieure à l'heure de début:**
L'enregistrement commencera à l'heure de début, le jour en question, et il s'arrêtera à l'heure d'arrêt le même jour.
Exemple: 8:30 < 17:00
- **Si l'heure de début est ultérieure à l'heure d'arrêt, ou si l'heure de début et l'heure d'arrêt d'une programmation hebdomadaire (minuterie hebdomadaire) sont les mêmes:**
L'enregistrement commencera à l'heure de début, le jour en question, et il s'arrêtera à l'heure d'arrêt le lendemain.
Exemple: 17:00 < 8:30
- **Si l'heure de début et l'heure de fin sont les mêmes (pour programmation hebdomadaire):**
L'enregistrement commencera à 8h 30 le jour en question, et il s'arrêtera à 8h 30 le lendemain.
Exemple: 8:30 = 8:30
Pour enregistrer pendant une journée entière, régler l'heure de début et l'heure de fin sur 00:00.

Remarques:

- La programmation hebdomadaire (minuterie hebdomadaire) pourra être réglée pour un jour de la semaine.
- Lorsque le paramètre (INTERNAL TIMER REC) du menu 5 est réglé sur OFF à la fois pour la minuterie hebdomadaire et pour la programmation quotidienne (minuterie quotidienne), rien ne s'affiche pour les heures de début et d'arrêt. L'appareil juge que l'enregistrement programmé n'est pas réglé.

Procédure d'enregistrement programmé par minuterie interne

- 1 Vérifier qu'il y a une cassette, avec sa languette intacte, dans l'appareil.
- 2 Vérifier que l'heure affichée sur le moniteur vidéo est exacte.
- 3 Mettre le commutateur MENU/REC LOCK sur MENU pour afficher le menu. Appuyer sur la touche de page de façon que l'écran de réglage de la minuterie (INTERNAL TIMER REC) apparaisse sur le moniteur vidéo.

```
(INTERNAL TIMER REC) P5
(TIMER)START END T-M
SUN OFF
MON OFF
TUE OFF
WED OFF
THU OFF
FRI OFF
SAT OFF
DLY OFF
```

Opérations effectuées sur le magnéscope après les réglages

- L'appareil se met hors tension et toutes les autres touches sont inopérantes.
- Si l'heure de début et l'heure d'arrêt n'ont pas été réglées, INT clignote sur l'afficheur.
- L'enregistrement déclenché par dispositif d'alarme s'effectue lors d'une entrée d'alarme, même si l'appareil est en mode attente d'enregistrement par minuterie. Lorsque l'enregistrement déclenché par dispositif d'alarme est terminé, l'alimentation se coupe et l'appareil passe en mode attente d'enregistrement par minuterie.
- Même en cas d'interruption du courant, les heures de début et de fin réglées pour l'enregistrement par minuterie sont conservées en mémoire à condition que le courant soit rétabli dans la semaine ou à peu près (mais seulement si l'appareil a été alimenté sans interruption pendant 3 jours ou plus).
- Si l'appareil vient juste d'être acheté ou qu'il n'a pas encore fonctionné longtemps, les heures de début et de fin ne sont pas conservées en mémoire.

Libération du mode minuterie interne

Régler l'interrupteur TIMER MODE sur OFF de façon que INT s'éteigne sur l'afficheur.

Remarque:

- Etant donné qu'il faut un certain temps pour que l'enregistrement commence effectivement, régler l'heure de début des enregistrements programmés en avance d'une minute.

- 4 Régler les heures de fonctionnement de la minuterie interne.
 - Pour les détails, voir les sections relatives à la "minuterie quotidienne" ou à la "minuterie hebdomadaire". (Voir pages 15.)
- 5 Lorsque les réglages sont terminés, mettre le commutateur MENU/REC LOCK sur OFF. L'écran normal réapparaît.
- 6 Régler l'interrupteur TIMER MODE sur INT TIMER de façon que INT s'allume sur l'afficheur. Si l'on n'a pas inséré de cassette, que la minuterie n'est pas réglée ou que la languette de la cassette insérée est brisée, INT clignote sur l'afficheur. Lorsque l'heure d'enregistrement arrive, rien ne s'enregistre.

Programmation quotidienne (minuterie quotidienne)/ programmation hebdomadaire (minuterie hebdomadaire)

Exemple: Pour enregistrer de 8h 30 à 12h 00 de lundi à jeudi, et de 9h 00 à 12h 00 le dimanche et le samedi

- Vérifier que OFF ou ON clignote pour dimanche (SUN). Si le paramètre est réglé sur OFF, appuyer sur les touches de réglage (+, -) de façon à afficher ON.

```
(INTERNAL TIMER REC) P5
(TIMER)START END T-M
SUN ON
MON OFF
```

- Lorsqu'on appuie sur la touche de décalage (▷), le réglage se déplace sur l'heure de début et les chiffres des "heures" se mettent à clignoter.

SUN ON 0:00 0:00

- Appuyer sur les touches de réglage (+, -) de façon à afficher "8".

SUN ON 8:00 0:00

- Lorsqu'on appuie sur la touche de décalage (▷), les chiffres des "minutes" se mettent à clignoter.

SUN ON 8:00 0:00

- Appuyer sur les touches de réglage (+, -) de façon à afficher "30".

SUN ON 8:30 0:00

- Lorsqu'on appuie sur la touche de décalage (▷), les chiffres des "heures" se mettent à clignoter.

SUN ON 8:30 0:00

- Appuyer sur les touches de réglage (+, -) de façon à afficher "12".

SUN ON 8:30 12:00

- Lorsqu'on appuie sur la touche de décalage (▷), les chiffres des "minutes" se mettent à clignoter.

SUN ON 8:30 12:00

- Appuyer sur les touches de réglage (+, -) de façon à afficher "00".

Appuyer sur la touche SHIFT (▷) et régler le mode heure d'enregistrement.

Lorsqu'on appuie sur la touche de décalage (▽), MON clignote.

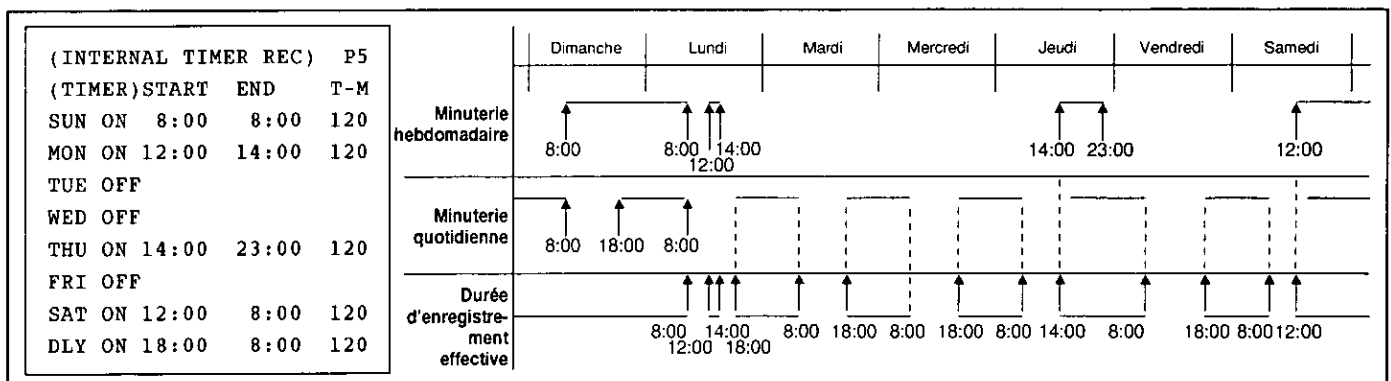
SUN ON 8:30 12:00

- Recommencer les opérations des étapes 1 à 9 pour régler l'heure de début sur "8:30" et l'heure d'arrêt sur "12:00" de lundi (MON) à jeudi (THU). Recommencer les opérations ci-dessus pour régler également les heures du vendredi (FRI) et du samedi (SAT).

De la sorte, les heures de fonctionnement de la minuterie sont réglées pour chaque jour de la semaine.

On recommencera également les opérations des étapes 1 à 9 pour régler la programmation quotidienne (minuterie quotidienne).

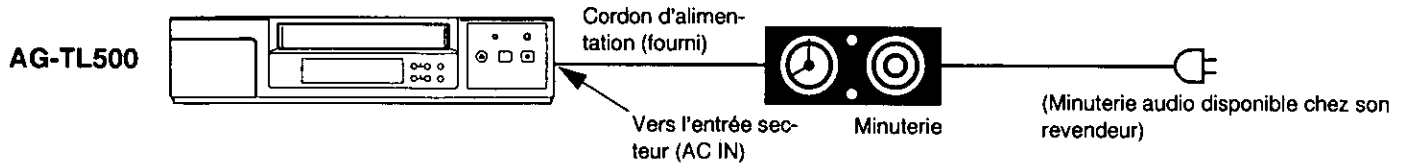
- Lorsqu'on effectue simultanément une programmation quotidienne et une programmation pour un jour de la semaine, les opérations de l'enregistrement programmé s'effectuent comme indiqué ci-dessous lorsque les réglages de l'heure sont les suivants.
- Les données affichées sur l'écran de gauche représentent la combinaison de programmations hebdomadaires et quotidiennes indiquée ci-dessous et qui, à son tour, donne la durée d'enregistrement réelle du ruban indiquée au bas de l'écran.



- Les réglages des heures des jours de la semaine s'affichent, ce qui permet de vérifier les réglages pour chaque jour de la semaine.
- Si plus d'un mode a été réglé pour l'heure d'enregistrement, le mode enregistrement par minuterie hebdomadaire a priorité sur le mode enregistrement par minuterie quotidien.

Enregistrement programmé par minuterie externe

Il est possible de régler l'appareil de façon que l'enregistrement soit déclenché par mise sous tension au moyen d'une minuterie externe.



Procédure d'enregistrement programmé par minuterie externe

- 1 Vérifier qu'il y a une cassette, avec sa languette intacte, dans l'appareil.
 - 2 Appuyer sur la touche **TIMER MODE** de façon que **EXT** s'allume sur l'afficheur. A l'heure réglée, l'alimentation est fournie par la minuterie externe et l'appareil commute en mode enregistrement.
 - 3 Lors du réglage de la minuterie **EXT TIMER**, s'assurer que le magnétoscope est en mode d'attente et que le voyant **TIME MODE** est affiché.
- S'il n'y a pas de cassette vidéo dans l'appareil ou si sa languette de prévention d'effacement accidentel est brisée, **EXT** clignote sur l'afficheur et l'enregistrement programmé par minuterie externe n'est pas possible.
 - Etant donné qu'il faut un certain temps pour que l'enregistrement commence effectivement, régler l'heure de début des enregistrements programmés en avance d'une minute.

Enregistrement en boucle automatique/ rebobinage automatique

Enregistrement en boucle automatique: Cette fonction rebobine automatiquement le ruban lorsque la fin de ruban est détectée en mode enregistrement, et il recommence l'enregistrement depuis le début du ruban.

Rebobinage automatique: Cette fonction rebobine automatiquement le ruban jusqu'au début lorsque la fin de ruban est détectée en mode enregistrement.

- 1 Vérifier qu'il y a une cassette, avec sa languette intacte, dans l'appareil.
- 2 Mettre le commutateur **MENU/REC LOCK** sur **MENU** pour afficher les menus. Appuyer sur la touche de page pour afficher le menu 4 sur le moniteur vidéo.
- 3 Appuyer sur la touche de décalage (∇) pour amener le clignotement sur **TAPE END**. Appuyer sur la touche de réglage (+ ou -) pour afficher **REPEAT** pour un enregistrement en boucle automatique, ou **REW** pour un rebobinage automatique.

(REC MODE)		P4
REC T-MODE	OFF	
TAPE IN	STOP	
TAPE END	STOP	
(VIDEO MODE)		
MODE	AUTO	
DETAIL	ON	

TAPE END REPEAT

- 4 "↻" s'allume sur l'afficheur.
 - Si l'on a sélectionné le rebobinage automatique, "↻" s'éteint.
- 5 Lorsque les réglages sont terminés, mettre le commutateur **MENU/REC LOCK** sur **OFF**. L'écran normal revient.

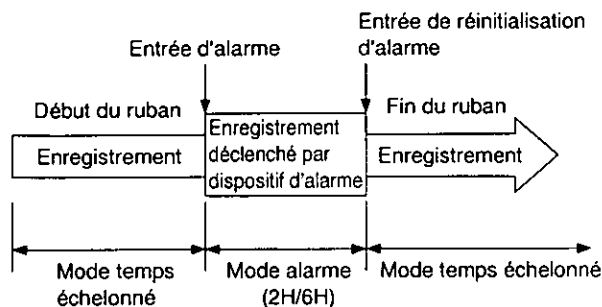
Remarques sur le fonctionnement

- Lorsqu'on effectue un enregistrement en boucle automatique, ne pas négliger d'effectuer les vérifications périodiques. L'image se dégradant si l'on utilise constamment le même ruban pour effectuer l'enregistrement en boucle automatique, on remplacera la cassette par une neuve. Pour les directives générales sur l'intervalle de remplacement de la cassette, voir page 12.
- Les signaux d'alarme ne sont pas acceptés pendant un rebobinage automatique, de sorte que les enregistrements déclenchés par dispositif d'alarme ne seront pas effectués.
- Si un signal d'alarme est acheminé pendant un enregistrement en boucle automatique, le mode enregistrement déclenché par dispositif d'alarme est activé. Ensuite, si la cassette arrive en fin de ruban, l'enregistrement en boucle automatique s'effectue mais l'enregistrement déclenché par dispositif d'alarme est libéré.

Enregistrement déclenché par dispositif d'alarme (enregistrement d'urgence)

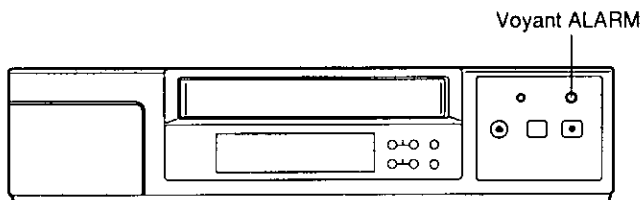
Lorsqu'une alarme se produit au site de surveillance pendant une surveillance prolongée et un enregistrement, la fonction d'alarme se déclenche automatiquement et l'enregistrement déclenché par dispositif d'alarme s'effectue.

Principe de l'enregistrement déclenché par dispositif d'alarme

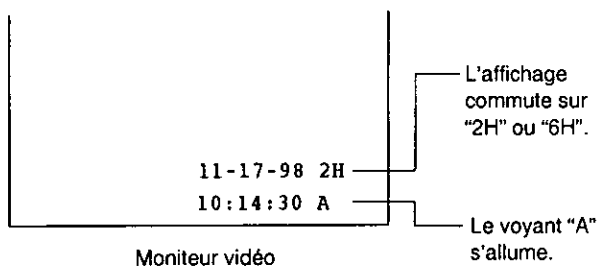
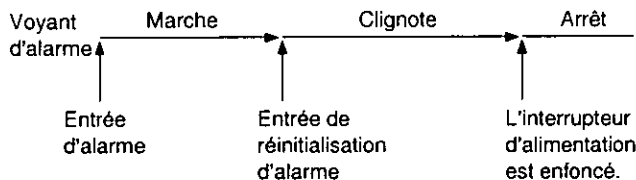


- Lorsqu'un signal d'alarme est acheminé via un détecteur d'alarme (commutateur de porte ou d'interphone, etc.) pendant un enregistrement en mode temps échelonné, la vitesse d'enregistrement commute en mode 2 heures ou 6 heures et les détails de l'état d'urgence sont fidèlement enregistrés.

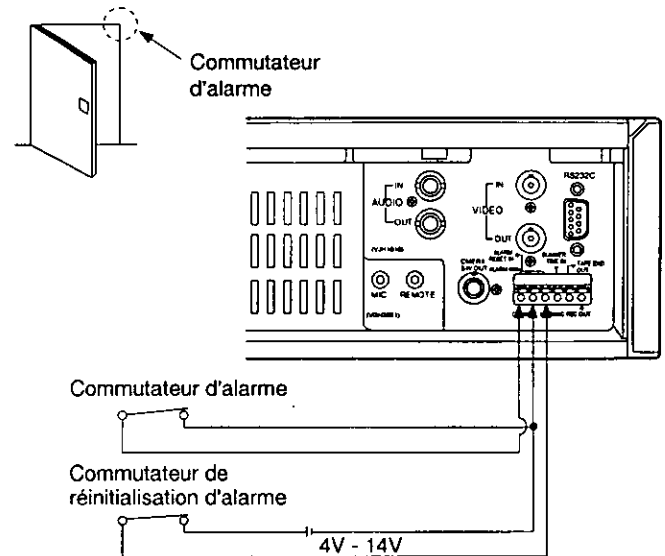
Méthodes d'alarme et affichage pendant un enregistrement déclenché par dispositif d'alarme



- Lorsqu'un signal d'alarme est acheminé, le voyant d'alarme fonctionne comme suit.



Raccordement du connecteur d'entrée d'alarme



- L'enregistrement déclenché par dispositif d'alarme commence lorsque le commutateur d'alarme commute en position de marche. Lorsque le commutateur de réinitialisation d'alarme est mis sur ON une fois que l'enregistrement a commencé, l'enregistrement déclenché par dispositif d'alarme est libéré et le fonctionnement revient au mode enregistrement par temps échelonné initial.
- Il est possible de libérer l'enregistrement déclenché par dispositif d'alarme en appuyant sur la touche STOP pendant un enregistrement déclenché par dispositif d'alarme. Toutefois, il ne sera pas possible de le libérer en appuyant sur la touche STOP si le commutateur MENU/REC LOCK est mis sur REC LOCK ou si INT est allumé sur l'afficheur.
- Il est possible de réinitialiser automatiquement l'enregistrement déclenché par dispositif d'alarme sans envoyer de signal d'entrée de réinitialisation d'alarme. Le temps de réinitialisation pourra être réglé sur 30 secondes, 1,0, 2,0, 3,0, 5,0 ou 10 minutes.
- Il existe une autre possibilité, qui est l'enregistrement déclenché par dispositif d'alarme uniquement pendant l'acheminement du signal d'entrée d'alarme.
- L'enregistrement déclenché par dispositif d'alarme est également possible jusqu'à la fin du ruban.

Procédure d'enregistrement déclenché par dispositif d'alarme

- 1 Vérifier qu'il y a une cassette, avec sa languette intacte, dans l'appareil.
- 2 Mettre le commutateur MENU/REC LOCK sur MENU pour afficher les menus. Appuyer sur la touche de page pour afficher l'écran de réglage d'enregistrement déclenché par dispositif d'alarme (menu 3) sur le moniteur vidéo.

(ALARM)		P3
MODE	OFF	
DURATION	30SEC	
(RECALL)	-	
	-	
	-	
	-	
- 4 Appuyer sur la touche de décalage (∇) pour amener le clignotement sur DURATION. Appuyer sur la touche de réglage (- ou +) pour régler la durée d'enregistrement.
- 5 Lorsque les réglages sont terminés, mettre le commutateur MENU/REC LOCK sur OFF. L'écran normal revient.
- 6 Appuyer sur la touche REC. Ensuite, lorsqu'un signal d'entrée d'alarme est acheminé, le mode de temps réglé par T-MODE commute sur 2H ou 6H, et l'enregistrement déclenché par dispositif d'alarme se poursuit jusqu'à ce que l'alarme soit libérée.

- 3 Appuyer sur la touche de réglage (- ou +) pour afficher 2H ou 6H au paramètre MODE.

MODE	2H
------	----

- Si le paramètre TAPE END du menu 4 a été réglé sur REPEAT, le mode d'enregistrement en boucle automatique est activé lorsque la cassette arrive en fin de ruban.
- Pour l'enregistrement d'urgence, mettre l'appareil en mode hors tension ou arrêt.

Rappel des enregistrements déclenchés par dispositif d'alarme

Il est possible de voir sur le moniteur vidéo l'heure à laquelle le signal d'alarme a été envoyé en vérifiant l'heure d'entrée de l'alarme au paramètre RECALL du menu 3.

- 1 Mettre le commutateur MENU/REC LOCK sur MENU pour afficher les menus. Appuyer sur la touche de page pour afficher l'écran de réglage d'enregistrement déclenché par dispositif d'alarme (menu 3) sur le moniteur vidéo.

(ALARM)		P3
MODE	2H	
DURATION	30SEC	
(RECALL)	10-01-97 20:19	
	09-14-97 12:05	
	08-30-97 08:40	
	06-25-97 04:14	
- 2 Lorsque les réglages sont terminés, mettre le commutateur MENU/REC LOCK sur OFF. L'écran normal revient.

- La fonction de rappel des enregistrements déclenchés par dispositif d'alarme peut mémoriser un maximum de 4 heures d'entrée d'alarme et les afficher sur l'écran. S'il y a eu plus de 4 entrées, elles s'effaceront de l'écran dans l'ordre en commençant par les plus anciennes.
- Si l'on appuie sur la touche RESET alors que le menu 3 est affiché, la mémoire de rappel des enregistrements déclenchés par dispositif d'alarme s'efface.

Procédure de lecture

Avant de procéder, vérifier que les indicateurs d'enregistrement programmé par minuterie interne/externe (INT/EXT) sont éteints sur l'affichage. (Si INT ou EXT sont affichés, régler le commutateur TIMER MODE sur OFF pour les effacer.)

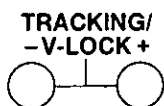
- 1 Mettre l'appareil et le moniteur vidéo sous tension.
- 2 Insérer la cassette enregistrée dans l'appareil.
- 3 Sélectionner le mode de temps.
- 4 Appuyer sur la touche PLAY.

Remarques sur le fonctionnement

1. Bien avoir à l'esprit les points suivants à la lecture de sections d'un ruban en mode temps échelonné (L12 heures à 168 heures).
 - Si le ruban est lu dans le même mode, des parasites ressemblant à des pailles apparaîtront sur l'écran; ceci est normal.
 - L'image risque d'osciller en sens vertical; ceci est normal.
 - Si le ruban est lu dans le même mode de temps, l'image risque de bouger légèrement dans le sens latéral; ceci est normal.
 - Régler l'insertion Quasi-V sur ON (▶) ou OFF (▶) avec la touche FWD ADV. Le sautiellement de l'image sera réduit si le ruban est lu en mode temps échelonné (à l'exception du mode 2 ou 6 heures) ou en mode ralenti linéaire.
2. Bien avoir à l'esprit les points suivants à la lecture de sections d'un ruban enregistré en mode VHS (2 ou 6 heures).
 - Si le ruban est lu dans le même mode de temps échelonné, de légers parasites risquent d'apparaître en haut et en bas de l'écran; ceci est normal.
 - Lorsque le ruban est lu en mode temps échelonné (L12 heures à 168 heures), l'image risque d'osciller en sens vertical. Ceci est normal.
 - Lorsqu'un ruban enregistré en mode 6 heures est lue uniquement en mode 6 heures normal, l'image apparaîtra en couleur. S'il est lu dans les autres modes, l'image apparaîtra en noir et blanc. Toutefois, ceci n'est pas le signe d'un mauvais fonctionnement.
3. Si des parasites apparaissent sur l'écran lors d'un arrêt sur image, appuyer sur la touche FWD ADV pour les dépasser.
4. Bien savoir que si le cordon d'alimentation est débranché puis rebranché, ou si le courant est rétabli après une interruption de courant alors que la lecture s'effectue avec l'indicateur EXT allumé sur l'afficheur à l'aide du commutateur TIMER MODE, l'appareil commutera automatiquement du mode lecture au mode enregistrement.
5. Si l'on appuie sur la touche PAUSE/STILL pendant la lecture, l'appareil commute en mode pause et un arrêt sur image apparaît sur l'écran. Pour libérer l'image, appuyer à nouveau sur la touche PAUSE/STILL ou appuyer sur la touche PLAY. Si la pause est maintenue pendant plus de 5 minutes, l'appareil commute en mode arrêt.
6. Si le réglage AFC horizontal du moniteur vidéo est trop long ou si l'on utilise une caméra vidéo à balayage entrelacé sélectif, le haut de l'écran du moniteur vidéo risque d'être déformé; ceci est normal.

Pistage

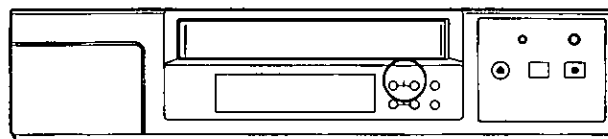
Lorsque des parasites, comme sur l'écran ci-dessous, apparaissent sur l'image de lecture en mode de temps 2 heures ou 6 heures, appuyer sur la touche d'alignement "+" ou "-" pour les réduire.



- Pour régler les défauts d'alignement, appuyer simultanément sur les touches "+" et "-" (en mode de temps 2 heures et 6 heures uniquement).
- En mode temps échelonné (L12 heures à 168 heures), régler l'alignement en appuyant sur la touche "+" ou "-".

Réglage de la stabilité verticale

Si l'image tremble légèrement en sens vertical pendant un arrêt sur image, appuyer sur les touches de blocage verticale (-, +) afin de réduire le sautiellement.



- Si le moniteur vidéo possède une commande de stabilité verticale, régler également cette commande.

Vérifications périodiques et opérations d'entretien courantes

L'appareil est conçu pour supporter de longues heures de fonctionnement sans problème. Toutefois, il est recommandé de procéder à un certain nombre de vérifications périodiques pour garantir un parfait ordre de marche.

Précautions

Ne pas oublier d'effectuer les vérifications périodiques lors d'un enregistrement en boucle automatique.

Vérifications périodiques

- 1 Mettre l'interrupteur d'alimentation de l'appareil, des caméras vidéo, du moniteur vidéo et des autres appareils du système de surveillance sur la position ON.
- 2 L'image du moniteur vidéo est-elle satisfaisante?
- 3 La date et l'heure affichées sur le moniteur vidéo sont-elles exactes?
- 4 Appuyer sur la touche REC REVIEW pendant l'enregistrement et vérifier que les images s'enregistrent correctement.

Opérations à effectuer après les vérifications périodiques

Dans le cas peu probable où l'on rencontrerait un problème, mettre l'appareil hors tension, débrancher le cordon d'alimentation en le tenant par sa fiche, et consulter le revendeur auquel on a acheté l'appareil.

Opérations d'entretien courantes recommandées

L'appareil possède un horodateur qui indique le nombre d'heures que l'appareil a fonctionné. Lorsque le commutateur MENU/REC LOCK est mis sur MENU, le menu 1 apparaît sur le moniteur vidéo et il est ainsi possible de vérifier l'horodateur. L'horodateur fournira une indication approximative pour les intervalles de nettoyage ou de remplacement des pièces internes. L'écran normal revient lorsque le commutateur MENU/REC LOCK est mis sur OFF. Pour de plus amples détails, consulter son revendeur.



Interface RS-232C

1. Aperçu de l'interface RS-232C

Cette interface permet de piloter les fonctions de base du magnéscope à l'aide d'un ordinateur personnel.

- Le connecteur D-SUB à 9 contacts permet de raccorder le magnéscope à l'ordinateur personnel.

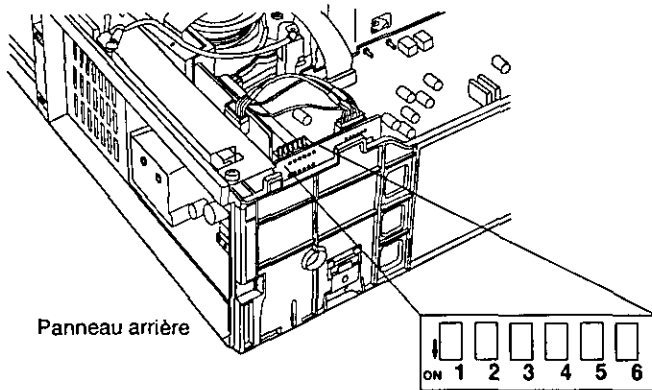
2. Spécifications du matériel

■ Paramètres de communication avec l'ordinateur personnel

Système synchrone: Système asynchrone
 Longueur de bit: 7 bits (ou 8 bits)
 Bit d'arrêt: 1 (ou 2)
 Parité: Imparité (pas de parité ou parité)
 Débit: 9600 bps (ou 4800 bps)

Remarque: Les réglages entre parenthèses se sélectionnent à l'aide des commutateurs DIP.

Fig. 1



SW	ON	OFF
1. DATA BIT	8 BIT	7 BIT
2. STOP BIT	2 BIT	1 BIT
5. SPEED	4800	9600
6. Enregistrement en cours	Rec	Rec-in

Parité

SW3	SW4	ON	OFF
ON	ON	NONE	EVEN
OFF	OFF	—	ODD

Remarque:

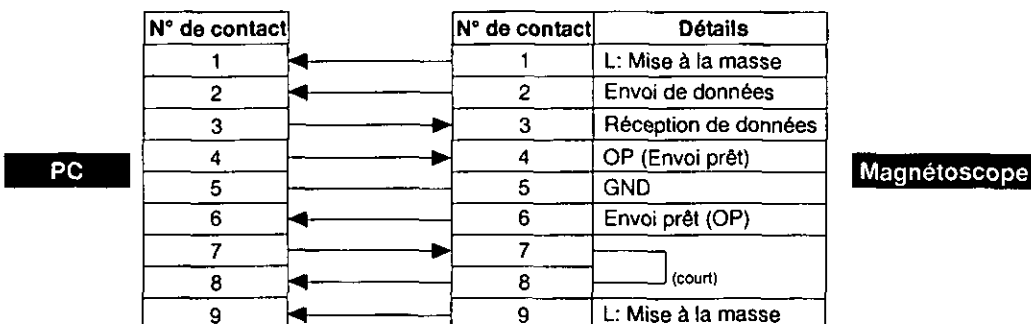
Les réglages des commutateurs devront être confiés à un ingénieur d'entretien qualifié.

■ Spécifications du connecteur D-SUB à 9 contacts

- Connecteur: D-SUB à 9 contacts, femelle
- Câble compatible: Câble rectiligne

Signaux d'entrée de D-SUB à 9 contacts

N° de contact	Abréviation	Désignation du circuit	Détails
1	CD (DCD)	Détection de sous-porteuse	Le PC reçoit ce signal.
2	RD (RXD)	Données reçues	Le PC reçoit les données.
3	SD (TXD)	Données transmises	Le PC transmet les données.
4	ER (DTR)	Terminal de données prêt	Le PC envoie ce signal.
5	SG (-)	Mise à la masse du signal	Mise à la terre du signal
6	DR (DSR)	Ensemble de données prêt	Le PC reçoit ce signal
7	RS (RTS)	Demande pour émettre	Le PC envoie ce signal.
8	CS (CTS)	Prêt à émettre	Le PC reçoit ce signal.
9	CI (RI)	Indicateur d'appel	Le PC reçoit ce signal.



3. Protocole

■ Format de réception (ordinateur personnel → magnétoscope)

Format général: stx commande [:données] [;commande [données]] etx

stx: 02h (HEX)

; (point-virgule): 3Bh délimiteur de commande

commande: ccc

ccc: commande (3 caractères ASCII)

: (deux points): 3Ah délimiteur de paramètre

données: paramètre (n'importe quel chiffre: basé sur la commande)

etx: 03H

Dans certains cas, le format ne renferme pas ce qui est à l'intérieur des crochets.

■ Exemple

stx0 S Petx (commande d'arrêt)

02, 4F, 53, 50, 03 (commande d'arrêt en notation hexadécimale)

■ Format d'envoi (ordinateur personnel ← magnétoscope)

• Vérification de réception de commande

ack (pour réception de commande sans erreur)

nak e (quand une erreur de communication s'est produite)

e: code d'erreur

1: erreur de parité

3: Erreur de cadrage

4: Erreur de dépassement

• Message de réponse

Format général: stx message [:données] etx

• Message d'erreur (quand une erreur s'est produite dans le protocole ou la commande)

Format général: stx message d'erreur etx

ack: 06h

nak: 15h

stx: 02h

message: mmmm

mmmm: message (n'importe quel nombre de caractères ASCII)

: (deux points): 3Ah délimiteur de paramètre

données: paramètre (n'importe quel nombre)

message d'erreur: ERnnn (code d'erreur)

nnn: nombre à 3 chiffres

001: Commande invalide (non supportée)

002: Paramètre invalide

003: Dépassement de tampon de réception

004: Raccordement défectueux

etx: 03h

■ Explications

- Dès que le tampon de réception est plein, un dépassement de tampon de réception est envoyé en retour et les commandes suivantes sont annulées.
- La réponse ACK ou NAK doit commencer dans les 20 ms.
- Si une nouvelle commande a été reçue pendant le traitement d'une commande non interruptible, un code de vérification de réception est envoyé en retour dans les 20 ms, après quoi le code ERROR applicable est envoyé en retour, et le traitement de la commande précédente reprend.
- Quand l'exécution d'une commande prend du temps, il est possible que la commande suivante soit traitée (en principe, après la réponse ACK) sans attendre la fin de l'exécution en question. (Ceci ne s'applique qu'aux commandes dont le traitement peut être interrompu.)
- Quand une commande qui n'entraîne pas de transfert du mode du magnétoscope est reçue, le message de fin d'exécution de la commande reçue est envoyé en retour quel que soit le mode du magnétoscope.

■ **Tableau des commandes**

Commande	Paramètre de commande	Message de fin d'exécution	Interruptible ○: Oui ×: Non
Réinitialisation du compteur	CRT	CRT	×
Ejection	OEJ	OEJ	×
Avance accélérée	OFF	OFF	×
Pause/arrêt sur image	OPA	OPA	×
Lecture	OPL	OPL	×
Enregistrement	ORC	ORC	×
Rebobinage	ORW	ORW	×
Arrêt	OSP	OSP	×
Avance d'une trame (+)	OAF	OAF	×
Avance d'une trame (-)	OAR	OAR	×
Mise en contact	PON	PON	×
Mise hors contact	POF	POF	×
Vérification d'enregistrement	ORR	ORR	×
Pistage (+)	ZTU	ZTU	×
Pistage (-)	ZTD	ZTD	×
Pistage automatique	ZTA	ZTA	×
Réglage de l'heure	LTJ	LTJ	×
Commutation du mode heure	LTM: *	LTM	×
Réglage du verrouillage de touches	RML: **	RML	×
Commutation d'affichage	LFI: *	LFI	×
Demande de version	QRV	VER a. ee date	×
Vérification de communication	RCK	RCK	×
Demande de données du compteur	QCD	QCD fwghmmss	×
Demande d'ID	QID	AG-TL ****	×
Demande d'état	QOP	***	×
Demande tous états	QOS	OPS dddddd	×
Demande de mode heure	QLT	LTM*	×
Demande d'état d'affichage	QFI	LFI*	×
Demande de verrouillage de touches	QRM	RML*	×
Retour d'ACK activé	RAN	RAN	×
Retour d'ACK désactivé	QRA	RA*	×
Demande d'état de retour d'ACK	OCS: *	OCS	×
Commande de réglage d'envoi automatique	QSC	OCS*	×
Demande de catégorie	QIC	1	×

Remarque: Avec retour d'ACK activé, [ACK] est envoyé en retour par le magnétoscope uniquement avec les commandes LTM et QID.

Commande de retour d'ACK activé

Permet d'activer le retour d'accusé de réception.

PC: [STX] RAN [ETX]

Magnétoscope: [STX] RAN [ETX]

L'accusé de réception n'est envoyé en retour qu'avec les commandes LTM et QID.

Commande de retour d'ACK désactivé

Permet de désactiver le retour d'accusé de réception.

PC: [STX] RAF [ETX]

Magnétoscope: [STX] RAF [ETX]

Commande de demande d'état de retour d'ACK

Permet de vérifier l'état du retour d'accusé de réception.

PC: [STX] QRA [ETX]

*: N=activé

Magnétoscope: [STX] RA* [ETX]

F=désactivé

Commande de demande tous états

Lorsque la commande de demande tous états est reçue, l'état actuel du magnétoscope est détecté et il est envoyé avec le mode matriciel indiqué ci-dessous.

PC: [STX] QOS [ETX]

Magnétoscope: [STX] OPS **abcd** [ETX]

ab Commandes du compteur 00: Demande CTL
88: Demande de sauvegarde des données PG
44: Demande de données PG
CC: Affichage du compteur

Bit	7	6	5	4	3	2	1	0
cd	REC	PAL	Pistage	Vitesse de défilment	Reprise	Enregistrement déclenché		
	LOCK	PAL	(-) (+)	00 : 2h	REW	sur signal d'alarme		
	ON=1	=1	ON=1	10 : 4h	ON=1	IN		
				01 : 6h		Généralement=0		

ef	Mode essai	Lecture en	—	—	Cassette
	00: Normal	sens inverse			IN
	10: Ligne	Marche avant=0			IN=1
	01: Service				
	11: —				

Commande de réglage d'heure

Permet de régler les minutes et les secondes à zéro.

PC: [STX] LTJ [ETX]

Magnétoscope: [STX] LTJ [ETX]

Commande de réglage d'envoi automatique

Permet de régler si les changements d'état du magnétoscope doivent être détectés et l'état envoyé automatiquement.

PC: [STX] OCS:* [ETX]

Magnétoscope: [STX] OCS [ETX]

*: N=Envoi automatique activé

F=Envoi automatique désactivé

Commande de demande de réglage d'envoi automatique

Permet de vérifier le réglage d'envoi automatique.

PC: [STX] QSC [ETX]

Magnétoscope: [STX] OCS* [ETX]

*: N=Envoi automatique activé

F=Envoi automatique désactivé

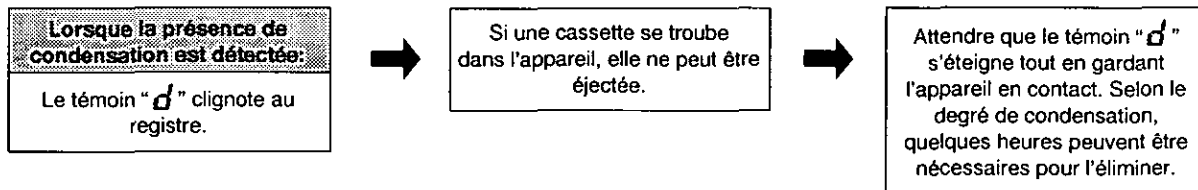
Guide de dépannage

Anomalies relatives à l'installation

- | | |
|--------------------------|--|
| Pas d'alimentation. | • La fiche d'alimentation est-elle insérée à fond dans la prise secteur? |
| Pas d'image. | • L'appareil est-il correctement raccordé au téléviseur, aux caméras vidéo, etc.?
• Y a-t-il un mauvais contact dans l'un des câbles de raccordement? |
| L'image n'est pas nette. | • La mise au point des caméras vidéo est-elle réglée correctement? |

Anomalies relatives aux fonctions ou au fonctionnement

- | | |
|--|--|
| Rien ne se produit lorsqu'on appuie sur les touches de fonction. | • Y a-t-il une cassette vidéo dans l'appareil?
• Le commutateur MENU/REC LOCK est-il mis sur OFF?
• La cassette vidéo est-elle insérée correctement? Appuyer sur la touche EJECT pour éjecter la cassette et l'insérer correctement.
• Le voyant INT est-il allumé sur l'afficheur?
• Le verrouillage de mode a-t-il été effectué via l'interface RS-232C? |
| Le voyant "d" clignote. | • L'appareil ne fonctionnera pas car son circuit de protection est entré en service. Attendre que le voyant ait cessé de clignoter. |



- | | |
|--|---|
| Les données d'affichage de la date et de l'heure n'étaient pas mémorisées lors d'une coupure de courant. | • La fiche d'alimentation de l'appareil a-t-elle été débranchée de la prise secteur pendant longtemps?
Insérer la fiche d'alimentation de l'appareil dans la prise et laisser l'appareil constamment branché pendant au moins trois jours. |
|--|---|

Anomalies d'enregistrement

- | | |
|--|--|
| La lecture, l'avance rapide et le rebobinage s'effectuent normalement, mais l'enregistrement est impossible. | • La languette de la cassette vidéo est-elle brisée? |
| L'enregistrement s'arrête. | • La cassette vidéo est-elle arrivée en fin de bande?
• Cinq minutes se sont-elles écoulées depuis que la touche PAUSE/STILL a été enclenchée pendant l'enregistrement?
• Les vérifications périodiques sont-elles effectuées régulièrement? Si ce phénomène continue de se reproduire, c'est qu'il y a un problème nécessitant une intervention. Consulter son revendeur. |
| L'alimentation se rétablit après une panne de courant, mais l'enregistrement ne reprend pas automatiquement. | • L'interruption du courant a-t-elle duré longtemps (plus d'une semaine)?
Mettre le commutateur d'enregistrement programmé sur EXT pour garantir que l'appareil commute en mode enregistrement même après une longue interruption du courant. |
| Impossible d'arrêter l'enregistrement. | • Commencer par mettre le commutateur MENU/REC LOCK sur OFF, puis faire fonctionner l'appareil.
• Le commutateur MENU/REC LOCK du menu 1 est-il sur OFF?
• Le verrouillage de mode a-t-il été effectué via l'interface RS-232C? |
| Impossible d'effectuer correctement un enregistrement programmé d'une semaine. | • La date et l'heure des affichages normaux sont-elles exactes? (Voir page 10.) |
| L'une des caméras au moins n'enregistre pas lorsque le système fait intervenir plusieurs caméras. | • Tourner la commande de réglage de temps de l'aiguilleur d'image et la régler de façon que le temps soit supérieur à la durée d'enregistrement vidéo en mode de temps d'enregistrement.
• Raccorder un câble de commutation de caméras entre l'appareil et l'aiguilleur d'image. |

L'enregistrement en boucle automatique ne s'effectue pas.

- A-t-on appuyé sur la touche arrêt pendant un rebobinage automatique?

L'enregistrement programmé ne s'effectue pas.

- L'heure du jour et les heures de début et d'arrêt de l'enregistrement programmé sont-elles exactes?
- Le voyant INT ou EXT est-il allumé sur l'afficheur?

L'enregistrement déclenché par dispositif d'alarme ne s'effectue pas.

- Les détecteurs d'alarme et les connecteurs d'entrée d'alarme sont-ils raccordés correctement?
- A-t-on sélectionné le mode enregistrement déclenché par dispositif d'alarme sur le menu 3?

Anomalies de lecture

Des parasites apparaissent parfois à la lecture.

- Régler les touches d'alignement. (Voir page 19.)

L'image de lecture renferme des poussières.

- Les têtes vidéo sont peut-être sales ou encrassées, ou elles ont peut-être atteint leur limite de service. Consulter son revendeur.

De la "neige" apparaît à la lecture.

- Les têtes vidéo sont peut-être sales ou encrassées. Consulter son revendeur.

Lorsqu'on utilise plusieurs caméras, deux scènes apparaissent à la lecture lorsqu'on commute les caméras.

- Le câble du signal de commutation des caméras est-il raccordé correctement?

L'enregistrement commence lorsqu'on branche ou qu'on débranche la fiche d'alimentation de la prise secteur.

- Le voyant INT ou EXT est-il allumé sur l'afficheur?

Pas de lecture parce que l'enregistrement commence lorsqu'on met sous tension l'appareil relié.

- Le voyant INT ou EXT est-il allumé sur l'afficheur?
-

Données techniques

Alimentation:	120 Vc.a., 50 – 60 Hz
Consommation:	17 W

Données générales

Température de fonctionnement: 5 °C à 40 °C

Humidité de fonctionnement: 35 % à 80 %

Dimensions: 430 (L) × 100 (H) × 290,5 (P) mm

Poids: Environ 4,5 kg

Système d'enregistrement/lecture: Système d'enregistrement par azimut à 4 têtes rotatives, format VHS

Vitesse de défilement: 33,35 mm/s (mode 2 heures)
11,12 mm/s (mode 6 heures)

Format de ruban: Ruban VHS

Temps d'enregistrement: 2 heures (avec une cassette de 120 minutes/mode 2 heures)

Durée d'avance rapide/rebobinage: Moins de 3 mn (avec une cassette de 120 minutes)

Video

Système de télévision: Norme EIA (525 lignes, 60 trames)
Signal couleur NTSC

Système de modulation: Signal de luminance: Enregistrement en modulation de fréquence
Signal de chrominance: Déphasage de la sous-porteuse convertie

Entrée VIDEO (BNC): 1,0 càc, 75 ohms

Sortie VIDEO (BNC): 1,0 càc, 75 ohms

Rapport S/B: Monochrome: 45 dB (mode 2 heures)
Couleur: 45 dB (mode 2 heures)

Audio

Entée de ligne (prise phono): -10 dBV, 47 kohms

Entrée de microphone (3 mm): -60 dBV, 600 ohms

Sortie de ligne (prise phono): -8 dBV, 1 kohm

Pistes: 1 piste (normale)

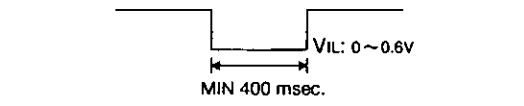
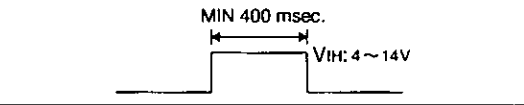
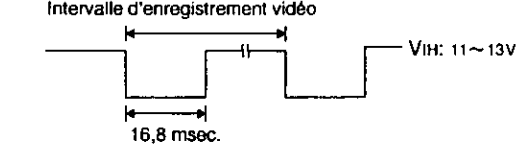
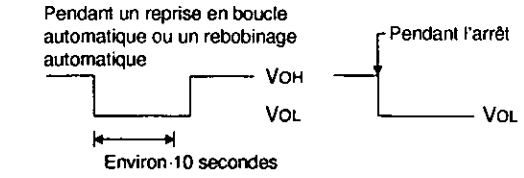
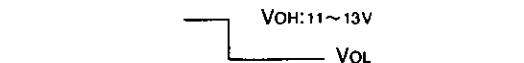
Mode enregistrement/lecture: Mode 2H/6H/L12H/L24H

Accessoire standard

Cordon d'alimentation: 1

Sujet à changements sans préavis.

Niveau du signal aux bornes d'entrée et de sortie

Borne	Niveau du signal	Remarque
Entrée d'alarme/entrée de REC		Entrée de niveau basse
Entrée du signal de réenclenchement de l'alarme		Entrée de haut niveau
Sortie de commutation des caméras		$V_{OH} = 11-13V (5.6k\Omega)$ $V_{OL} = 0-0.6V (max. 3 mA)$
Sortie de fin de ruban		$V_{OH} = 11-13V (4.7k\Omega)$ $V_{OL} = 0-0.6V (max. 3 mA)$
Sortie du signal d'avertissement		$V_{OH} = 11-13V (4.7k\Omega)$ $V_{OL} = 0-0.6V (max. 3 mA)$

Panasonic Canada Inc.

5770 Ambler Drive, Mississauga, Ontario L4W 2T3

Free Manuals Download Website

<http://myh66.com>

<http://usermanuals.us>

<http://www.somanuals.com>

<http://www.4manuals.cc>

<http://www.manual-lib.com>

<http://www.404manual.com>

<http://www.luxmanual.com>

<http://aubethermostatmanual.com>

Golf course search by state

<http://golfingnear.com>

Email search by domain

<http://emailbydomain.com>

Auto manuals search

<http://auto.somanuals.com>

TV manuals search

<http://tv.somanuals.com>