

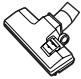

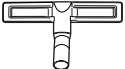




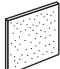


<b>Vacuum Cleaner Consumables / Accessories</b> (For UK and Republic of Ireland customers only)		
<b>DESCRIPTION</b>	<b>MC-CG663K</b>	<b>MC-CG661K</b>
Hose unit 	AMC94P-YD0	AMC94P-YL0
Telescopic wand 	AMC99P-ZF0	AMC99P-XL0
Floor nozzle 	_____	AMC99R-UA1
Turbine nozzle 	AMC99R-ZF0	_____
Parquet floor nozzle 	_____	AMC99R-XK0
Crevice nozzle 	AMC60R-UA0	
Dusting brush 	AMC88R-UA0	
Exhaust filter (HEPA filter) 	AMC95K-YZ0	
Paper dust bag TYPE C-17 (PACK 5/u.) 	AMC16K-YD0	
Central filter (Pre-motor filter) 	AMC37K-YP0	

**Note: Specifications are subject to change without notice.**

#### **Sales and Support Information**

- Customer Care Centre
- For customers within the UK: 0870 900 9043
  - For customers within the Republic of Ireland: 01 289 8333
  - Visit our website for product information
  - E-mail: [customer.care@panasonic.co.uk](mailto:customer.care@panasonic.co.uk)

#### **Direct sales at Panasonic UK**

- Order accessory and consumable items for your product with ease and confidence by phoning our Customer Care Centre Mon – Thu 9:00am – 5:30pm, Fri 9:30am – 5:30pm. (Excluding public holidays).
- Or go on line through our Internet Accessory ordering application at [www.panasonic.co.uk](http://www.panasonic.co.uk)
- Most major credit and debit cards accepted.
- All enquiries transactions and distribution facilities are provided directly by Panasonic UK Ltd.
- It couldn't be simpler!
- Also available through our internet is direct shopping for a wide range of finished products, take a browse on our website for further details.

## Information on Disposal for Users of Waste Electrical & Electronic Equipment (private households)



This symbol on the products and/or accompanying documents means that used electrical and electronic products should not be mixed with general household waste.

For proper treatment, recovery and recycling, please take these products to designated collection points, where they will be accepted on a free of charge basis. Alternatively, in some countries you may be able to return your products to your local retailer upon the purchase of an equivalent new product.

Disposing of this product correctly will help to save valuable resources and prevent any potential negative effects on human health and the environment which could otherwise arise from inappropriate waste handling.

Please contact your local authority for further details of your nearest designated collection point.

Penalties may be applicable for incorrect disposal of this waste, in accordance with national legislation.

## Information on Disposal in other Countries outside the European Union

This symbol is only valid in the European Union.

If you wish to discard this product, please contact your local authorities or dealer and ask for the correct method of disposal.

---

**Matsushita Electric Industrial Co., Ltd.**

<http://www.panasonic.co.jp/global/>

© 2006 Matsushita Electric Industrial Co., Ltd. All rights Reserved.

C01ZYD008

S0406-0

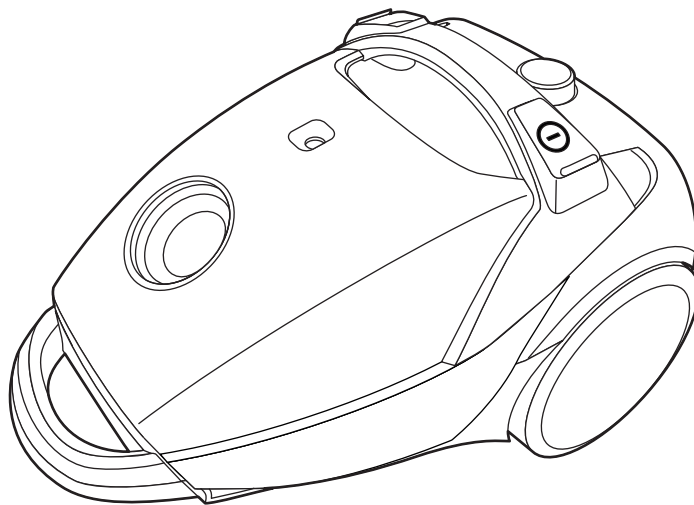
Printed in P.R.C.

# Panasonic<sup>®</sup>

## Operating Instructions Vacuum Cleaner

---

Model No. **MC-CG663, MC-CG663K**  
**MC-CG661, MC-CG661K**



We would recommend that you carefully study these Operating Instructions before attempting to operate the unit, and that you note the Important Safety Instructions.  
Keep pages 3 and 6 open when reading this manual, to make easier identify the different parts of the product.  
This product complies with the directives 73/23/EEC and 89/336/EEC.

## TABLE OF CONTENTS

	Page	Page
• Caution for AC Mains Lead (UK and Republic of Ireland only).....	2	C) How to operate your cleaner .....4
• Important safety instructions for the user.....	2	D) Maintenance and Servicing .....5
A) Identification of main parts.....	4	• Specifications .....5
B) How to assemble your cleaner.....	4	• Vacuum cleaner Consumables /Accessories .....7




### CAUTION FOR AC MAINS LEAD (UK and Republic of Ireland only)

#### FOR YOUR SAFETY PLEASE READ THE FOLLOWING TEXT CAREFULLY

This appliance is supplied with a moulded three pin mains plug for your safety and convenience.

A 13 amp fuse is fitted in this plug.

Should the fuse need to be replaced please ensure that the replacement fuse has a rating of 13 amps and that it is approved by ASTA or BSI to BS1362.

Check for the ASTA mark  or the BSI mark  on the body of the fuse.

If the plug contains a removable fuse cover you must ensure that it is refitted when the fuse is replaced.

If you lose the fuse cover the plug must not be used until a replacement cover is obtained.

A replacement fuse cover can be purchased from your local Panasonic Dealer.

**IF THE FITTED MOULDED PLUG IS UNSUITABLE FOR THE SOCKET OUTLET IN YOUR HOME THEN THE FUSE SHOULD BE REMOVED AND THE PLUG CUT OFF AND DISPOSED OF SAFELY.**

**THERE IS A DANGER OF SEVERE ELECTRICAL SHOCK IF THE CUT OFF PLUG IS INSERTED INTO ANY 13 AMP SOCKET.**

If a new plug is to be fitted please observe the wiring code as shown below.

If in any doubt please consult a qualified electrician.

**IMPORTANT:** The wires in this mains lead are coloured in accordance with the following code:

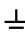
Blue : Neutral

Brown : Live

As the colours of the wire in the mains lead of this appliance may not correspond with the coloured markings identifying the terminals in your plug, proceed as follows:

The wire which is coloured BLUE must be connected to the terminal in the plug which is marked with the letter N or coloured BLACK.

The wire which is coloured BROWN must be connected to the terminal in the plug which is marked with the letter L or coloured RED.

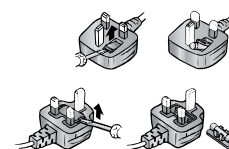
Under no circumstances should either of these wires be connected to the earth terminal of the three pin plug, marked with the letter E or the Earth Symbol 

#### How to replace the Fuse:

• There are two types of the supplied AC Mains Lead A and B as shown below.

1 Open the fuse compartment with a screwdriver.

2 Replace the fuse and fuse cover if detachable.



TYPE A

TYPE B

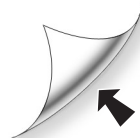
## IMPORTANT SAFETY INSTRUCTIONS FOR THE USER

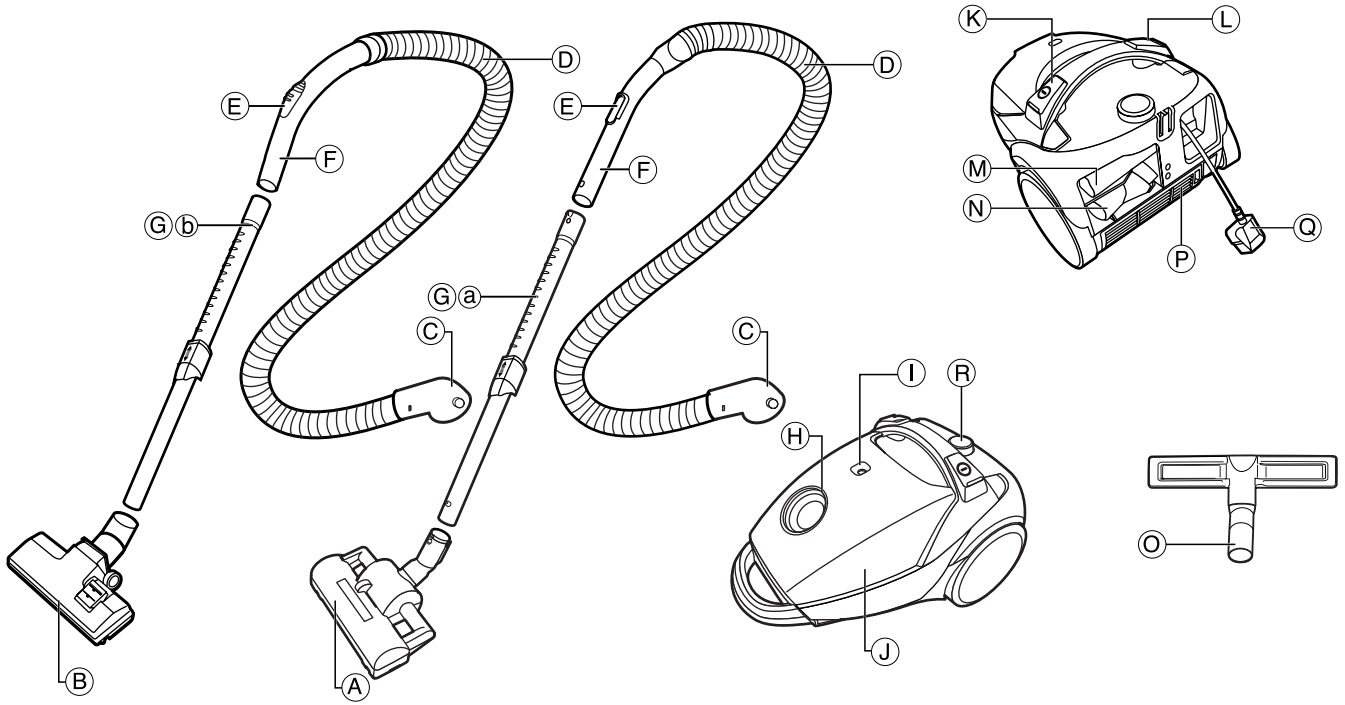
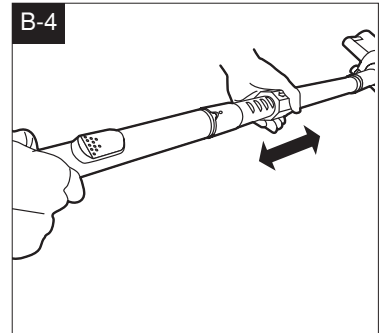
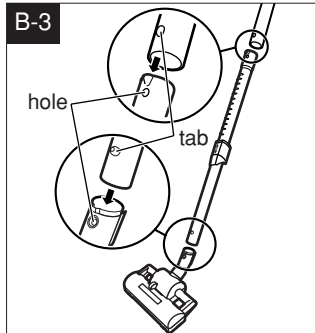
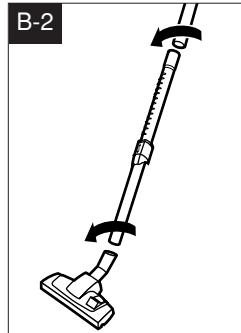
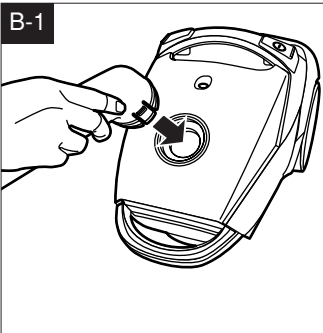
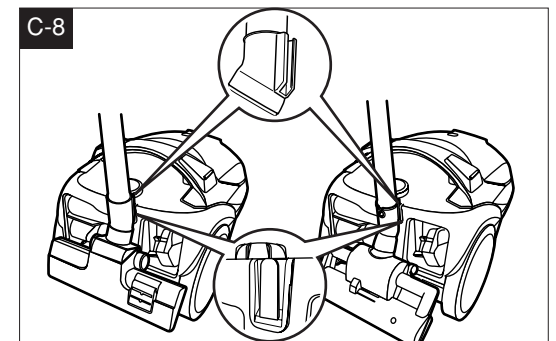
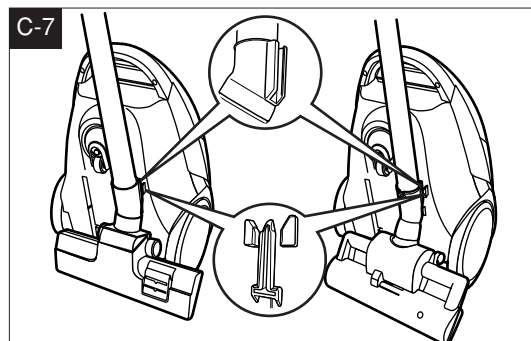
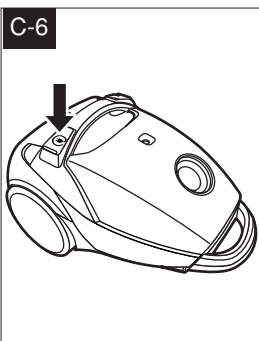
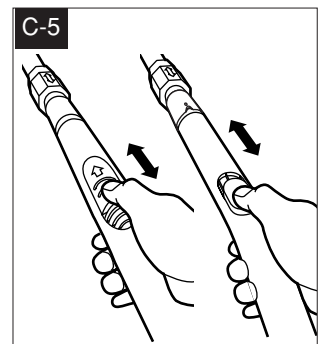
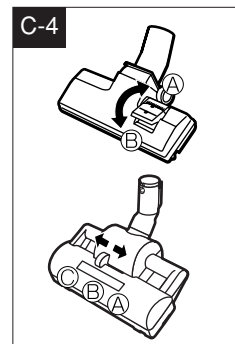
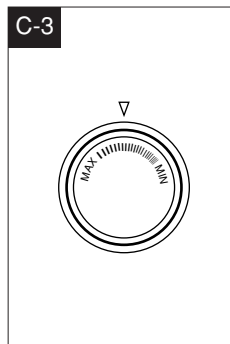
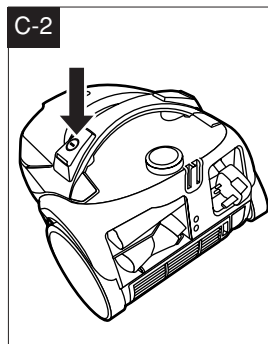
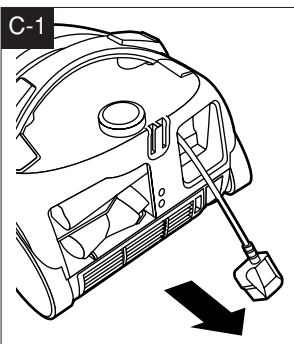


**Before using the vacuum cleaner, please observe these basic precautions.**

**WARNING: To reduce the risk of fire, electric shock, or injury**

- This appliance is not intended for use by young children or infirm person without supervision.
- Do not use the appliance if the mains lead or plug is damaged or faulty.
- This appliance is provided with a mains lead and if this becomes damaged, it must be repaired by an Authorised Service Centre or a qualified person in order to avoid any hazard.
- Unplug from the socket when not in use and before cleaning the appliance or undertaking maintenance operations.
- Turn off the appliance before removing the plug. Do not pull on the mains lead, always pull on the plug body itself
- Do not handle plug or vacuum cleaner with wet hands.
- Do not use wet filters after wash, make sure they are completely dry to avoid damaging the cleaner.
- Do not vacuum flammable or combustible substances, neither use in areas where they may be present.
- Do not vacuum hot ash, embers or large and sharp objects.
- Do not vacuum water or other liquids.
- Keep the vacuum cleaner away from heat sources such as radiators, fires, direct sunlight, etc.
- This vacuum cleaner is fitted with a thermal cut-out device which automatically turns off the cleaner to prevent overheating of the motor. When this happens, disconnect the cleaner from the mains socket and check the dust compartment and filters as they may be full or clogged with fine dust. Check for any other obstructions in the hose or tube. After removing the obstruction, leave the cleaner to cool down until the thermal cut-out resets after approximately 60 minutes.



**A****B****C**

## A - IDENTIFICATION OF MAIN PARTS

- A) Turbine nozzle (MC-CG663, MC-CG663K only)
- B) Floor nozzle (MC-CG661, MC-CG661K only)
- C) Connection pipe
- D) Hose
- E) Suction regulator
- F) Curved wand
- G) Telescopic wand <sup>a</sup> (MC-CG663, MC-CG663K)  
<sup>b</sup> (MC-CG661, MC-CG661K)
- H) Hose inlet
- I) Dust indicator
- J) Dust cover
- K) ON/OFF Switch pedal
- L) Cord rewind pedal
- M) Crevice nozzle
- N) Dusting brush
- O) Parquet floor nozzle (MC-CG661, MC-CG661K only)
- P) Exhaust cover
- Q) Plug
- R) Variable power control button

## B - HOW TO ASSEMBLE YOUR CLEANER

- B-1** Insert connection pipe into hose inlet until it locks. When removing hose assembly, pull out connection pipe with pushing down two connection buttons.  
**NOTE:** Do not bend, pull, and step on the hose or put anything heavy on it.
- B-2** Insert the hose unit into the upper end of the connected telescopic wand, and the floor nozzle to the other end. (Only MC-CG661, MC-CG661K)
- B-3** Insert the hose unit into the upper end of the telescopic wand.  
Twist the telescopic wand so that the round hole will fit into the tab on the hose unit. (When removing the hose, push the tab down whilst pulling on the telescopic wand)  
Attach the Turbine Nozzle to the other end (Only MC-CG663, MC-CG663K)(Removal as per reverse procedure)
- B-4** Keep hold of the wand grip and pull out the wand to the required length.

## C - HOW TO OPERATE YOUR CLEANER

- C-1** **Pull out the mains lead and put the plug into the wall socket.**
- C-2** **Gently press at the center of the switch pedal to turn ON the vacuum cleaner.**  
Press the pedal again to turn it OFF.
- C-3** **Power control**  
To increase or decrease the power, turn the variable power control.
- C-4** **Switching between carpet and flooring**  
Flooring: Press lever A  
Carpet: Press lever B  
**\*Switching 3 positions for MC-CG663, MC-CG663K.**  
Flooring (PARQUET): Set position A  
Carpet (short): Set position B  
Carpet (long or hard to push): Set position C
- C-5** The curved wand of the hose is attached with a manual suction regulator, which allows you to briefly reduce the suction level.
- C-6** **After you finish vacuuming, remove the plug from the wall socket and press the cord rewind pedal.**  
When rewinding the mains lead, press at center of rewind pedal by holding the plug so that it does not become damaged.
- C-7** **Storage position**  
Insert the wand holder straight into the wand supporter.
- C-8** **Park system**  
For short breaks during vacuuming, slide the hook attached to the nozzle pipe into the slot on the rear side of the cleaner.  
**NOTE:** When you use park position, we suggest the appliance is switched off.

## D - MAINTENANCE AND SERVICING



### CAUTIONS

- The plug must be removed from the socket-outlet before cleaning or maintaining the appliance.
- To avoid injury, keep your fingers and hands away from the beater bar.
- DO NOT use hot air or hot surface to dry filters. Keep at room temperature for approximately 24 hours.
- IMPORTANT: Before re-installing the washable filters, make sure they are completely dry to avoid damaging the cleaner.

#### Indicator for replacing the dust bag

Turn the power control to the highest setting and lift the nozzle off the floor. If the dust indicator turns red, the dust bag is full and requires replacing the dust bag.

**NOTE:** If the dust bag is not properly installed, the cover will not close. Be sure to check that the bag is properly installed before operating, otherwise dust will leak out.

The dust bag can easily lay on the dust cover packing or clip between bag collar and body, so be sure to properly extend it into the vacuum cleaner body.

#### Replacing the dust bag

- D-1** Lift dust cover, catch and raise dust cover until it clicks properly.
- D-2** Remove bag collar from bag holder and pull out dust bag.
- D-3** Set the dust bag.
- D-4** Close dust cover.

#### Floor nozzle

- D-5** Inspect once a month.  
Using an old toothbrush or similar tool, clean any dirt or lint from the brush.

#### Turbine nozzle

- D-6** After removing the brush cover with a coin, remove the beater bar from the belt.  
Then cut across threads, strings, hairs, etc. from the beater bar with a pair of scissors. (Removal as per reverse procedure)

**NOTE:** Take care not to cut the brush.  
Do not wash in water.

#### Vacuum cleaner body

- D-7** Wipe with a soft cloth soaked with water.

#### Maintaining the Pre-motor Filter

Perform the procedure given below when the suction power is not restored after maintaining the filter.

- D-8** Open the dust cover.
- D-9** Remove the pre-motor filter.
- D-10** Wash gently with water and then allow to dry in a shaded location.
- D-11** Replace to its original location.

**NOTE:** Make sure you remember to replace the filter. If the filter is not installed, it will cause motor failure.

- Do not wash the filter in a washing machine or dry it with a dryer or other source of hot air.

## Filter care

### D-12 Exhaust filter

Exhaust air filter, is installed in the rear side of the vacuum cleaner.

This filter retains any small dust particles which may be present in the expelled air. It is advisable to change the clean air filter when it becomes dirty. To change the clean air filter, hold the exhaust cover (as illustrated) and pull it out.

After changed the filter, set the exhaust cover to original position (as illustrated).

#### NOTE:

**IMPORTANT:** Never use the cleaner without the correct filters properly installed. Failure to do so may result in damage to the motor.

## What to do if your cleaner does not work

Check that the appliance is correctly plugged in and that the electrical socket is working. In case that the thermal cut-out device has operated, wait until it resets after approximately 60 minutes.

If after having checked the mentioned points, the cleaner does not work, take it to an Authorised Service Centre to be repaired.

## What to do when the suction performance reduces

- Stop the cleaner and unplug from the socket.
- Check whether the wands, hose and accessories are blocked or not.  
If they are blocked, remove the obstruction.
- Check that the dust bag is full.  
If it is full, replace it.
- Check that Pre-motor Filter or Exhaust Filter is blocked with dust.  
If they are blocked, clean them out or replace.

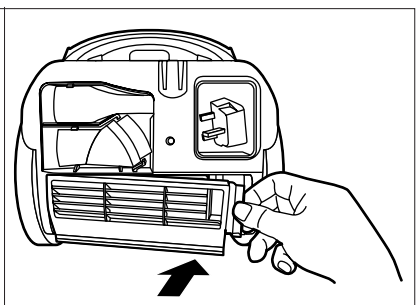
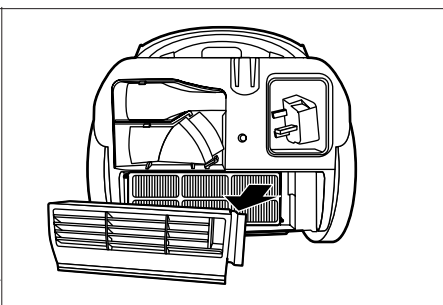
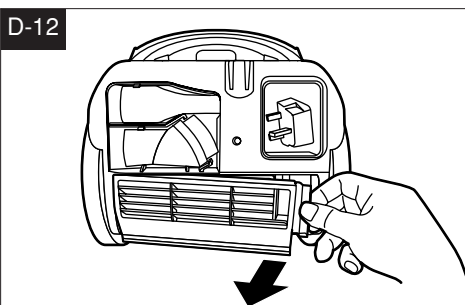
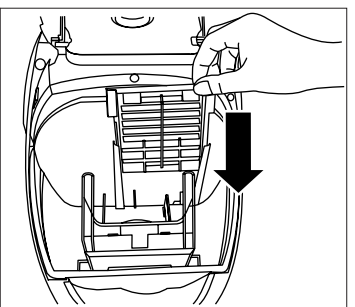
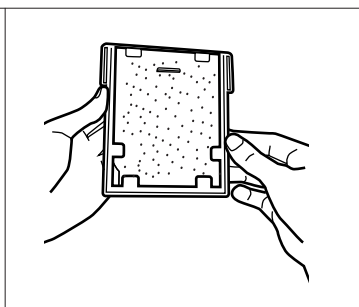
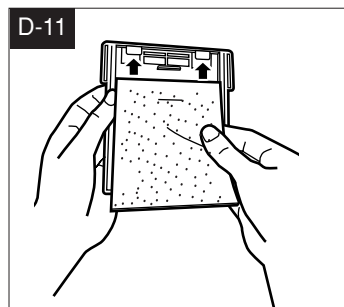
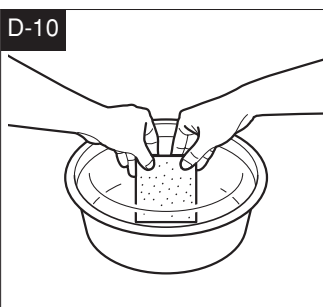
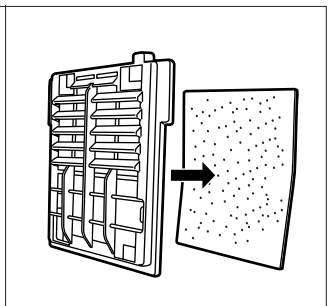
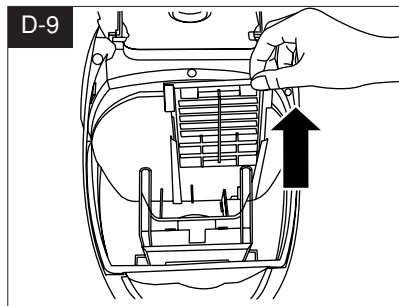
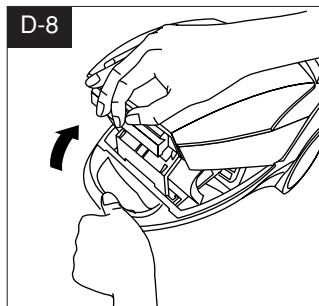
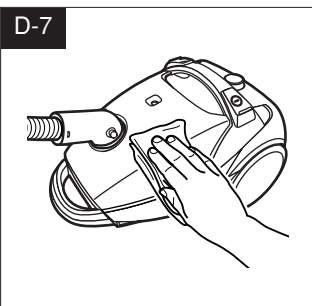
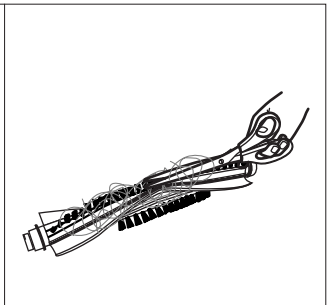
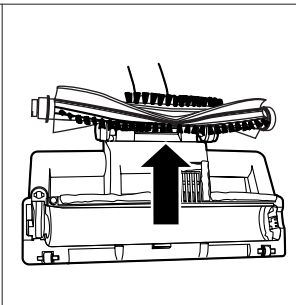
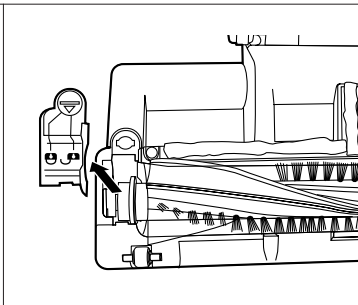
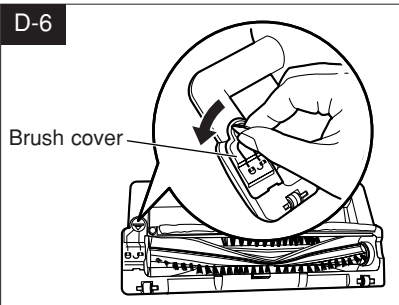
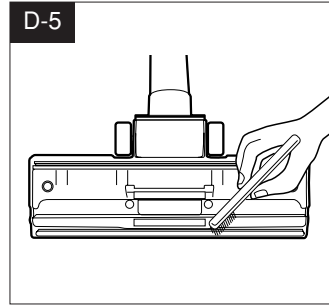
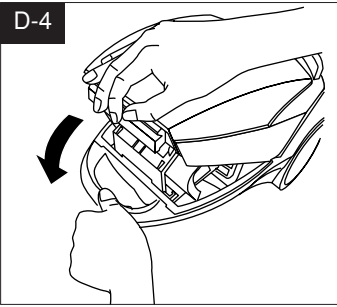
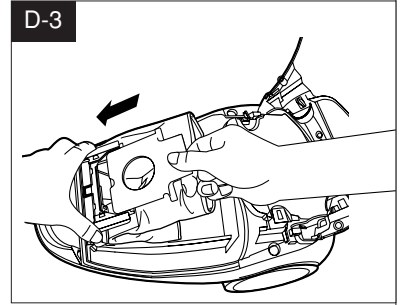
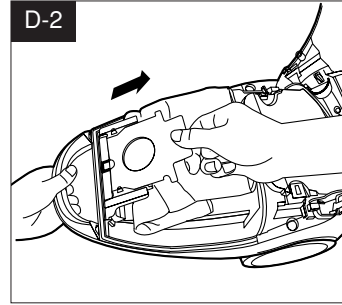
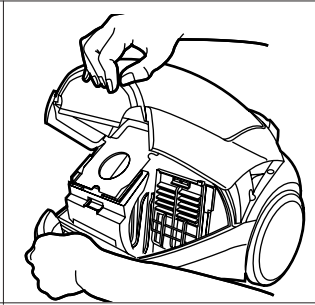
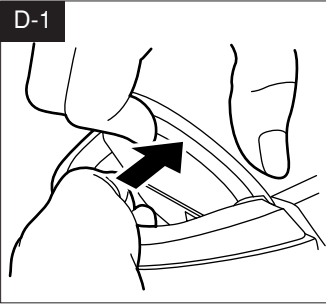
SPECIFICATIONS	MC-CG663 MC-CG663K	MC-CG661 MC-CG661K
Power source	230-240 V~50 Hz	
Max. Input	2000 W	
Nominal input	1500-1600 W	
Dimensions (W x L x H)	280 mm x 430 mm x 260 mm	
Net weight	5.1 kg	
Extension wand	Telescopic	
Crevice nozzle	√	√
Dusting brush	√	√

#### REMINDER FOR CUSTOMER

The model and serial number of this product may be found on the nameplate located at the underside of your cleaner. You should note the model and serial number in the spaces provided and retain this book as a permanent record of your purchase.

Model Number. ....  
Serial No. ....  
Date Purchased. ....  
Where Purchased. ....



**D**



## Free Manuals Download Website

<http://myh66.com>

<http://usermanuals.us>

<http://www.somanuals.com>

<http://www.4manuals.cc>

<http://www.manual-lib.com>

<http://www.404manual.com>

<http://www.luxmanual.com>

<http://aubethermostatmanual.com>

Golf course search by state

<http://golfingnear.com>

Email search by domain

<http://emailbydomain.com>

Auto manuals search

<http://auto.somanuals.com>

TV manuals search

<http://tv.somanuals.com>