

General Specifications

FBA11J10M

Allowable Ambient Temperature Range:

- 40°C ~ +40°C (65%RH) (Operating)
- 40°C ~ +70°C (65%RH) (Storage)
- (non-condensing environment)

FBA11J14L

Allowable Ambient Temperature Range:

- 20°C ~ +40°C (65%RH) (Operating)
- 40°C ~ +70°C (65%RH) (Storage)
- (non-condensing environment)

Expected Life

FBA11J10M

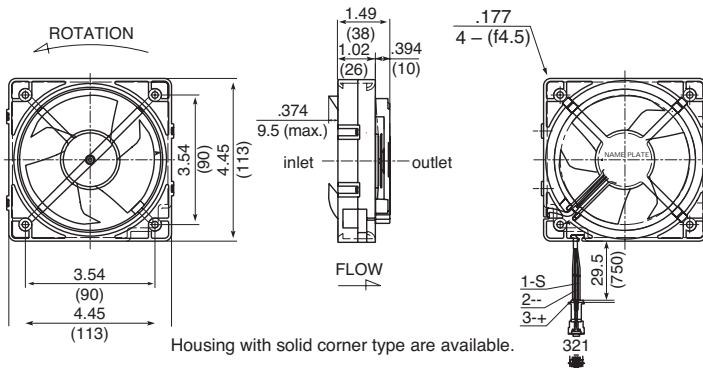
- Failure Rate: 10%
- 70,000 Hours (-30°C)

FBA11J14L

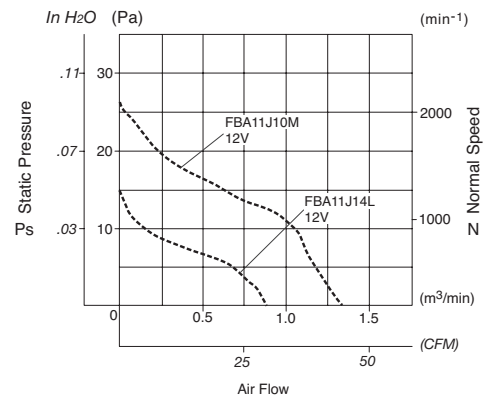
- Failure Rate: 10%
- 70,000 Hours (-10°C)

Outline

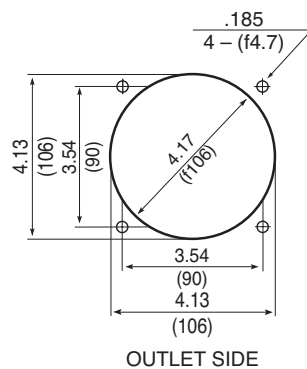
Units: inch (mm)



Characteristic Curves



Panel Cut-outs



Material

Bearing: Hydro Wave Bearing

Specifications

MODEL	Rated Voltage	Operating Voltage	Current	Input Power	Rated Speed	Max. Air Flow		Max. Static Pressure		Noise	Mass
	(V)	(V)	(A) ^{*1}	(W) ^{*1}	(min ⁻¹) ^{*1}	CFM ^{*1}	(m ³ /min) ^{*1}	in H ₂ O	(Pa) ^{*1}	(dB) ^{*1}	(g)
FBA11J10M	9	7.0 ~ 14.0	102	0.92	1920	36.0	1.02	.06	17.0	24.0	180
FBA11J14L	14	7.0 ~ 14.0	63	0.88	2100	39.5	1.12	.08	21.0	25.0	185

Rotation: Clockwise

Airflow Outlet: Air Out Over Struts

*1: Average Values in Free Air

Free Manuals Download Website

<http://myh66.com>

<http://usermanuals.us>

<http://www.somanuals.com>

<http://www.4manuals.cc>

<http://www.manual-lib.com>

<http://www.404manual.com>

<http://www.luxmanual.com>

<http://aubethermostatmanual.com>

Golf course search by state

<http://golfingnear.com>

Email search by domain

<http://emailbydomain.com>

Auto manuals search

<http://auto.somanuals.com>

TV manuals search

<http://tv.somanuals.com>