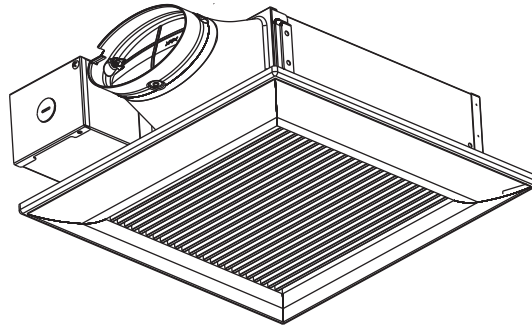


# Service Manual

## Ventilating Fan North America Market

FV-05VS3  
FV-08VS3  
FV-10VS3



### Specifications

Model No.	Air direction	Voltage (V)	Frequency (Hz)	Duct diameter (inches)	Noise (sones)	Power consumption (W)	Speed (rpm)	Air volume at 0.1" WG (CFM)	Weight (lb./kg)
FV-05VS3	Exhaust	120	60	4	0.4	16	706	60	6.8/3.1
FV-08VS3	Exhaust	120	60	4	1.0	22	779	80	6.8/3.1
FV-10VS3	Exhaust	120	60	4	1.4	30	869	100	6.8/3.1

HVI Certified performance based on HVI Procedures 915,916 and 920.

### ! WARNING

This service information is designed for experienced repair technicians only and is not designed for use by the general public. It does not contain warnings or cautions to advise non-technical individuals of potential dangers in attempting to service a product. Products powered by electricity should be serviced or repaired only by experienced professional technicians. Any attempt to service or repair the product or products dealt with in this service information by anyone else could result in serious injury or death.

### IMPORTANT SAFETY NOTICE

There are special components used in this equipment which are important for safety. These parts are marked by  $\triangle$  in the Schematic Diagrams, Exploded Views and Replacement Parts List. It is essential that these critical parts should be replaced with manufacturer's specified parts to prevent shock, fire or other hazards. Do not modify the original design without permission of manufacture. We suggest to handle such parts after the static electricity prevention. It is forbidden to touch the PCB parts by bare hands during the repairing process.

### CONTENTS

	PAGE
1 Parts Identification-----	1~2
2 Wiring Diagram-----	3
3 Parts List-----	4~9

**Panasonic**<sup>®</sup>

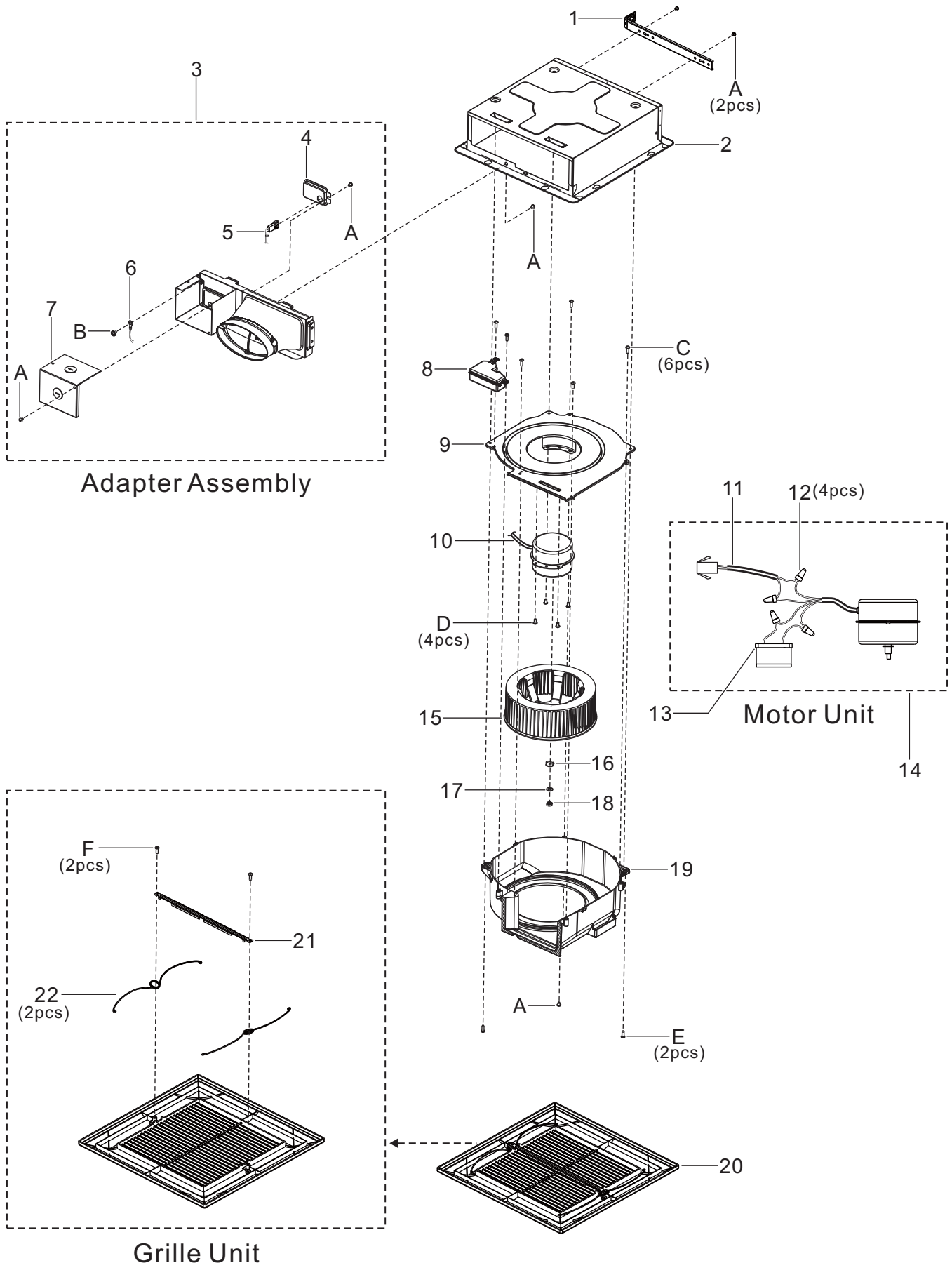
# 1. Parts Identification

FV-05VS3

FV-08VS3

FV-10VS3

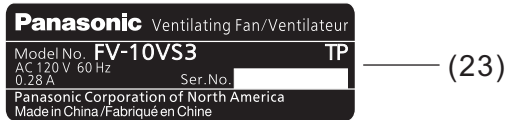
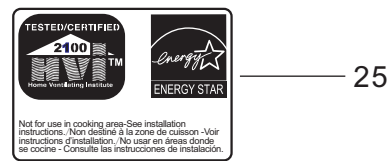
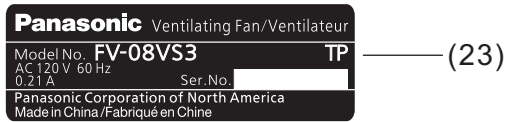
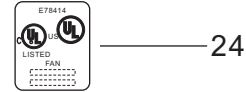
## Main Body Section



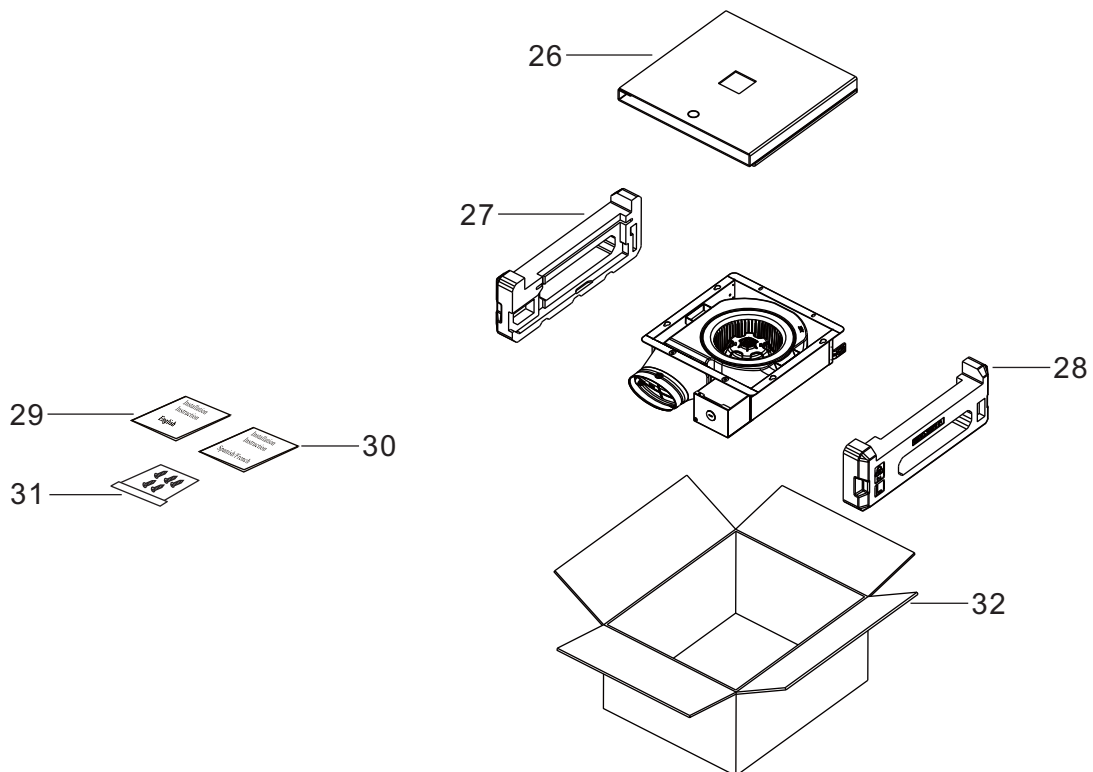
# 1. Parts Identification

FV-05VS3  
FV-08VS3  
FV-10VS3

## Main Labels



## Packing Section

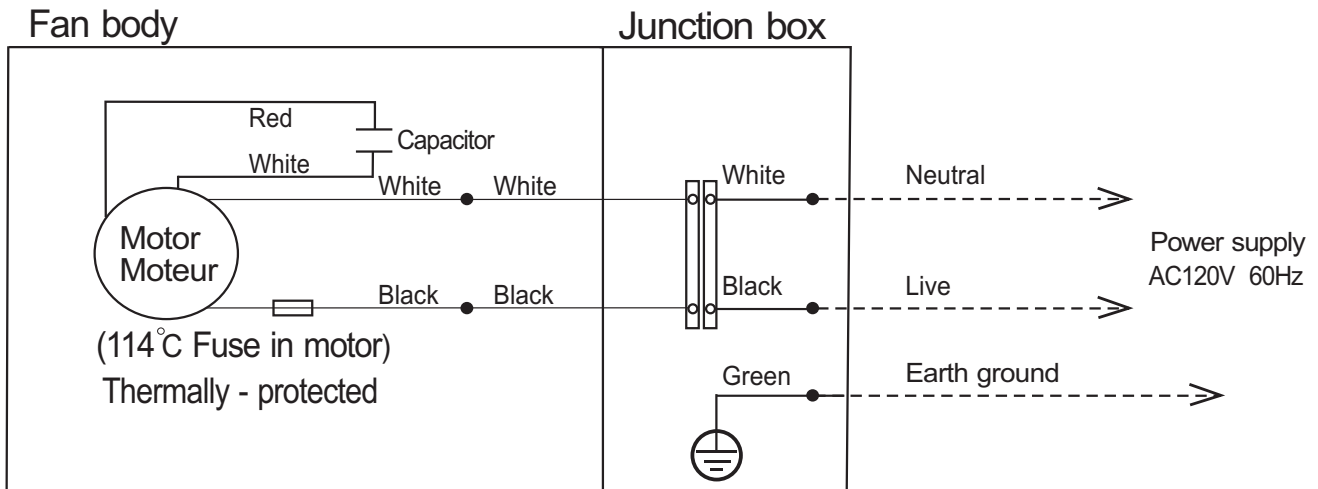


## 2.Wiring diagram

FV-05VS3

FV-08VS3

FV-10VS3



### 3.Parts List

FV-05VS3

#### Main Body Section

No.	Part No.	Part Name	Q'ty	Remark
1	FFV5710025S	Suspension Bracket	1	
2	FFV1600132S	Frame Assembly	1	
3	FFV0000133S	Adapter Assembly	1	⚠
4	FFV0900052S	Connector Plate	1	
5	FFV0900059S	Connector Assembly(V)	1	⚠
6	FFV3450010S	Earth Lead Wire	1	⚠
7	FFV2800020S	Junction Cover	1	
8	FFV0760051S	Condenser Box	1	⚠
9	FFV3730107S	Motor Support	1	Include Packing 2
10	FFV3730112S	Motor Assembly	1	⚠
11	FFV0730035S	Cord	1	⚠
12	FFV0900024S	Connector	4	
13	FFV0750221S	Condenser	1	250V~ 1.4μF ⚠
14	FFV3730113S	Motor Unit	1	⚠
15	FFV0400112S	Blade	1	⚠
16	FFV0400113S	Blade Fix Ring	1	For Fixing Blade
17	FFV7010058S	Undee Washer	1	For Fixing Blade
18	FFV7020024S	Hexagon Nut	1	For Fixing Blade
19	FFV0790104S	Casing	1	Include Packing 1 ⚠
20	FFV3402124S	Grille Section	1	⚠
21	FFV5560037S	Spring Stopper	1	
22	FFV5560017S	Spring	2	
A	FFV7000108S	Truss Tap Screw	6	
B	FFV7000203S	Earth Lead Wire Screw	1	Include Spring Washer ⚠
C	FFV7000089S	Truss Tap Screw	6	For Fixing Condenser Box&Motor Support
D	FFV7000074S	Truss Tap Screw	4	For Fixing Motor Assembly
E	FFV7000080S	Plus Bind Screw	2	For Fixing Casing
F	FFV7000140S	Pan Tap Screw	2	For Fixing Spring Stopper

#### Main Labels

No.	Part No.	Part Name	Q'ty	Remark
23	FFV4020796S	Name Plate	1	Stuck On Casing
24	FFV2260003S	UL Mark	1	Stuck On Frame Assembly
25	FFV0810011S	Caution Label 1	1	Stuck On Frame Assembly

### 3.Parts List

FV-05VS3

#### Packing Section

No.	Part No.	Part Name	Q'ty	Remark
26	FFV4710368S	Grille Case Assembly	1	
27	FFV4710369S	Right Pad	1	
28	FFV4710370S	Left Pad	1	
29	FFV2540169S	Installation Instructions	1	English,For USA Market / CANADA Market
30	FFV2540170S	Installation Instructions	1	Spanish,For USA Market
(30)	FFV2540171S	Installation Instructions	1	French,For CANADA Market
31	FFV0010231S	Accessory A	1	
32	FFV9001075S	Packing Case Assembly	1	

### 3.Parts List

FV-08VS3

#### Main Body Section

No.	Part No.	Part Name	Q'ty	Remark
1	FFV5710025S	Suspension Bracket	1	
2	FFV1600132S	Frame Assembly	1	
3	FFV0000133S	Adapter Assembly	1	⚠
4	FFV0900052S	Connector Plate	1	
5	FFV0900059S	Connector Assembly(V)	1	⚠
6	FFV3450010S	Earth Lead Wire	1	⚠
7	FFV2800020S	Junction Cover	1	
8	FFV0760051S	Condenser Box	1	⚠
9	FFV3730107S	Motor Support	1	Include Packing 2
10	FFV3730108S	Motor Assembly	1	⚠
11	FFV0730035S	Cord	1	⚠
12	FFV0900024S	Connector	4	
13	FFV0750219S	Condenser	1	250V~ 1.7μF ⚠
14	FFV3730109S	Motor Unit	1	⚠
15	FFV0400112S	Blade	1	⚠
16	FFV0400113S	Blade Fix Ring	1	For Fixing Blade
17	FFV7010058S	Undee Washer	1	For Fixing Blade
18	FFV7020024S	Hexagon Nut	1	For Fixing Blade
19	FFV0790104S	Casing	1	Include Packing 1 ⚠
20	FFV3402124S	Grille Section	1	⚠
21	FFV5560037S	Spring Stopper	1	
22	FFV5560017S	Spring	2	
A	FFV7000108S	Truss Tap Screw	6	
B	FFV7000203S	Earth Lead Wire Screw	1	Include Spring Washer ⚠
C	FFV7000089S	Truss Tap Screw	6	For Fixing Condenser Box&Motor Support
D	FFV7000074S	Truss Tap Screw	4	For Fixing Motor Assembly
E	FFV7000080S	Plus Bind Screw	2	For Fixing Casing
F	FFV7000140S	Pan Tap Screw	2	For Fixing Spring Stopper

#### Main Labels

No.	Part No.	Part Name	Q'ty	Remark
23	FFV4020794S	Name Plate	1	Stuck On Casing
24	FFV2260003S	UL Mark	1	Stuck On Frame Assembly
25	FFV0810011S	Caution Label 1	1	Stuck On Frame Assembly

### 3.Parts List

FV-08VS3

#### Packing Section

No.	Part No.	Part Name	Q'ty	Remark
26	FFV4710368S	Grille Case Assembly	1	
27	FFV4710369S	Right Pad	1	
28	FFV4710370S	Left Pad	1	
29	FFV2540169S	Installation Instructions	1	English,For USA Market / CANADA Market
30	FFV2540170S	Installation Instructions	1	Spanish,For USA Market
(30)	FFV2540171S	Installation Instructions	1	French,For CANADA Market
31	FFV0010231S	Accessory A	1	
32	FFV9001073S	Packing Case Assembly	1	



### 3.Parts List

FFV-10VS3

#### Main Body Section

No.	Part No.	Part Name	Q'ty	Remark
1	FFV5710025S	Suspension Bracket	1	
2	FFV1600132S	Frame Assembly	1	
3	FFV0000133S	Adapter Assembly	1	⚠
4	FFV0900052S	Connector Plate	1	
5	FFV0900059S	Connector Assembly(V)	1	⚠
6	FFV3450010S	Earth Lead Wire	1	⚠
7	FFV2800020S	Junction Cover	1	
8	FFV0760051S	Condenser Box	1	⚠
9	FFV3730107S	Motor Support	1	Include Packing 2
10	FFV3730110S	Motor Assembly	1	⚠
11	FFV0730035S	Cord	1	⚠
12	FFV0900024S	Connector	4	
13	FFV0750220S	Condenser	1	250V~ 2.4μF ⚠
14	FFV3730111S	Motor Unit	1	⚠
15	FFV0400112S	Blade	1	⚠
16	FFV0400113S	Blade Fix Ring	1	For Fixing Blade
17	FFV7010058S	Undee Washer	1	For Fixing Blade
18	FFV7020024S	Hexagon Nut	1	For Fixing Blade
19	FFV0790104S	Casing	1	Include Packing 1
20	FFV3402124S	Grille Section	1	⚠
21	FFV5560037S	Spring Stopper	1	
22	FFV5560017S	Spring	2	
A	FFV7000108S	Truss Tap Screw	6	
B	FFV7000203S	Earth Lead Wire Screw	1	Include Spring Washer ⚠
C	FFV7000089S	Truss Tap Screw	6	For Fixing Condenser Box&Motor Support
D	FFV7000074S	Truss Tap Screw	4	For Fixing Motor Assembly
E	FFV7000080S	Plus Bind Screw	2	For Fixing Casing
F	FFV7000140S	Pan Tap Screw	2	For Fixing Spring Stopper

#### Main Labels

No.	Part No.	Part Name	Q'ty	Remark
23	FFV4020795S	Name Plate	1	Stuck On Casing
24	FFV2260003S	UL Mark	1	Stuck On Frame Assembly
25	FFV0810011S	Caution Label 1	1	Stuck On Frame Assembly

### 3.Parts List

FV-10VS3

#### Packing Section

No.	Part No.	Part Name	Q'ty	Remark
26	FFV4710368S	Grille Case Assembly	1	
27	FFV4710369S	Right Pad	1	
28	FFV4710370S	Left Pad	1	
29	FFV2540169S	Installation Instructions	1	English,For USA Market / CANADA Market
30	FFV2540170S	Installation Instructions	1	Spanish,For USA Market
(30)	FFV2540171S	Installation Instructions	1	French,For CANADA Market
31	FFV0010231S	Accessory A	1	
32	FFV9001074S	Packing Case Assembly	1	

## Free Manuals Download Website

<http://myh66.com>

<http://usermanuals.us>

<http://www.somanuals.com>

<http://www.4manuals.cc>

<http://www.manual-lib.com>

<http://www.404manual.com>

<http://www.luxmanual.com>

<http://aubethermostatmanual.com>

Golf course search by state

<http://golfingnear.com>

Email search by domain

<http://emailbydomain.com>

Auto manuals search

<http://auto.somanuals.com>

TV manuals search

<http://tv.somanuals.com>